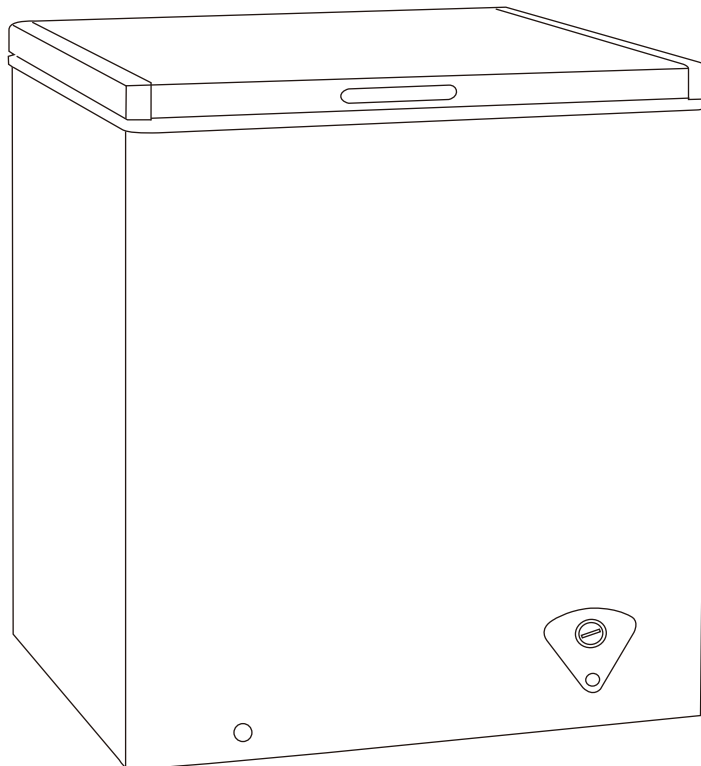




Instruction Manual

Chest Freezer

**Model: AC05ESWCR1RCM
AC7ETWCR1RCM**



INSTALLATION INSTRUCTIONS

Before Using Your Freezer

- ◆ Remove the exterior and interior packing.
- ◆ Check to be sure you have all of the following parts:
 - 1 Storage Basket
 - 1 Instruction Manual
 - 1 plastic scraper
- ◆ Before connecting the freezer to the power source, let it stand upright for approximately 2 hours. This will reduce the possibility of a malfunction in the cooling system from handling during transportation.
- ◆ Clean the interior surface with lukewarm water using a soft cloth.

Installing Your Freezer

- ◆ This appliance is designed to be free standing only, and should not be recessed or built-in.
- ◆ Place your freezer on a floor that is strong enough to support the freezer when it is fully loaded.
- ◆ Allow 15 cm of space between the back and sides of the freezer, which allows the proper air circulation.
- ◆ Locate the freezer away from direct sunlight and sources of heat (stove, heater, radiator, etc.). Direct sunlight may affect the acrylic coating and heat sources may increase electrical consumption. Extreme cold ambient temperatures may also cause the freezer not to perform properly.
- ◆ Avoid locating the freezer in moist areas.
- ◆ Plug the freezer into an exclusive, properly installed-grounded wall outlet. Do not under any circumstances cut or remove the third (ground) prong from the power cord. Any questions concerning power and/or grounding should be directed toward a certified electrician or an authorized service center.
- ◆ After plugging the appliance into a wall outlet, allow the unit to cool down for 2~3 hours before placing food in the freezer compartment.

Electrical Connection

For your safety please read the following information

OPERATING YOUR FREEZER

Temperature Control

- Your freezer has one control for regulating the temperature. The temperature control is located on the lower right hand corner.
- The range of the temperature control is from position “MIN, MAX and OFF”. Adjust the temperature control to the setting that best suits your needs.

NOTE:

- ◆ If the unit is unplugged, lost power, or turned off; you must wait 3 to 5 minutes before restarting the unit. If you attempt to restart before this time delay, the freezer will not start.
- ◆ Large amounts of food will lower the cooling efficiency of the appliance.
- ◆ If you choose to change the thermostat setting, adjust thermostat control by one numerical increment at a time. Allow several hours for temperature to stabilize between adjustments.

Defrosting Your Freezer

- ◆ For the most efficient operation and minimum energy consumption, defrost the freezer when the frost on the freezer walls is excessive or 5 to 10 mm thick.
- ◆ Choose a time when the stock of frozen food is low.

CAUTION

Do not use boiling water because it may damage the plastic parts. In addition, never use a sharp or metallic instrument to remove frost as it may damage the cooling coils and will void the warranty. We recommend using the plastic scraper provided with your unit.

- ◆ Remove the frozen food from the freezer and place it in a cooler to protect the food.
- ◆ Unplug the freezer. The Power Supply light should be off (green light out).
- ◆ During defrosting, the ice melts into the cabinet.
- ◆ Remove the drain plug on the inside floor of the freezer by pulling straight out.
- ◆ Place a shallow pan outside drain outlet. The defrost water will drain out.
- ◆ Check the pan occasionally so the water does not overflow.
- ◆ Clean the interior of the freezer.
- ◆ Replace the plug on the inside floor.
- ◆ Reset the thermostat to desired setting.
- ◆ Allow the cabinet to cool for one hour.
- ◆ Return food to the freezer.

HELPFUL HINT:

Defrosting usually takes a few hours. Leaving the door open will help speed the process. Also, pouring warm water (not boiling) on the ice/frost will help speed melting. If you must use a scraper- please use caution - it is very easy to damage the freezer compartment and void your warranty.

The Freezer Compartment

- ◆ This compartment is designed for the long-term storage of frozen food. Storage time is up to three months.
- ◆ The storage life of frozen foods varies and the recommended storage time should not be exceeded. The instructions regarding the care of frozen foods should be followed when defrosting the freezer.
- ◆ Pre-packed commercially frozen food should be stored in accordance with the frozen foods manufacturer's instructions for a three star frozen food storage compartment or home freezer.
- ◆ Place frozen food into the freezer as quickly as possible after purchase. If there are instructions on the packet, carefully follow these instructions regarding storage times.
- ◆ The freezer door is susceptible to breaking due to excessive ice build up. Be sure to defrost when the ice reaches 5 to 10 mm thick.
- ◆ A storage basket is provided for the organization of odd-shaped items. To reach other packages in the freezer, just slide the basket to one side, or lift it out.

CARE AND MAINTENANCE

Cleaning Your Freezer

- ◆ Upon installation of your new appliance, it is recommended that it be cleaned thoroughly.
- ◆ Turn the temperature control to "MIN", unplug the freezer, remove the food and storage basket.
- ◆ Wash the inside with a damp warm cloth containing a water and baking soda solution. The solution should be about 2 tablespoons of baking soda to a quart of water.
- ◆ Wash the storage basket with a mild detergent solution.
- ◆ Be sure to keep the door gasket (seal) clean to keep the unit running efficiently.
- ◆ The outside of the freezer should be cleaned with mild detergent and warm water.
- ◆ Dry the interior and exterior with a soft cloth.
- ◆ The condenser coils should be vacuumed when they are dusty or dirty.
- ◆ It is recommended that the unit be cleaned each time it is defrosted to help keep the unit odor free and running efficiently.

Vacation Time

- ◆ Remove all the food.
- ◆ Unplug the freezer.
- ◆ Clean the freezer.
- ◆ Leave the door open slightly to avoid possible formation of condensation, mold, or odors.
- ◆ Use extreme caution in the case of children. The unit should not be accessible to child's play.
- ◆ **Short vacations:** Leave the freezer operating during vacations of less than three weeks.
- ◆ **Long vacations:** If the appliance will not be used for several months, remove all food and unplug the power cord. Clean and dry the interior thoroughly. To prevent odor and mold growth, leave the door open slightly: blocking it open if necessary or have the door removed.

Moving Your Freezer

- ◆ Remove all the food.
- ◆ Securely tape down all loose items inside your freezer.
- ◆ Remove the rollers to prevent damage.
- ◆ Tape the doors shut.
- ◆ Be sure the freezer stays in the upright position during transportation.

Energy Saving Tips

- ◆ The freezer should be located in the coolest area of the room, away from heat producing appliances or heating ducts, and out of the direct sunlight.
- ◆ Let hot foods cool to room temperature before placing in the freezer. Overloading the freezer forces the compressor to run longer. Foods that freeze too slowly may lose quality, or spoil.
- ◆ Be sure to wrap foods properly, and wipe containers dry before placing them in the freezer. This cuts down on frost build-up inside the freezer.

- ◆ Freezer storage bin should not be lined with aluminum foil, wax paper, or paper toweling. Liners interfere with cold air circulation, making the freezer less efficient.
- ◆ Organize and label food to reduce door openings and extended searches. Remove as many items as needed at one time, and close the door as soon as possible.

PROBLEMS WITH YOUR FREEZER

You can solve many common freezer problems easily, saving you the cost of a possible service call. Try the suggestions below to see if you can solve the problem

before calling the servicer

If the unit continues to operate improperly, call an authorized service depot or this Toll



Free Number for assistance. Tel:(866) 646 4332



TROUBLESHOOTING GUIDE

| PROBLEM | POSSIBLE CAUSE |
|---|---|
| Freezer does not operate. | Not plugged in. The circuit breaker tripped or a blown fuse. |
| Compressor turns on and off frequently. | The room temperature is hotter than normal. A large amount of food has been added to the freezer. The door is open too often. The door is not closed completely. The temperature control is not set correctly. The door gasket does not seal properly. The freezer does not have the correct clearances. The freezer has recently been disconnected for a period of time. Four hours are required for the freezer to cool down completely. |
| Temperature inside the freezer is too warm. | Temperature control is set too warm. Turn the control to a cooler setting and allow several hours for the temperature to stabilize. Door is kept open too long or is opened too frequently. Warm air enters the freezer every time the door is opened. Open the door less often. The door is not closed completely. The door gasket does not seal properly. A large amount of warm or hot food might have been stored recently. Wait until the freezer has had a chance to reach its selected temperature. The freezer has recently been disconnected for a period of time. Four hours are required for the freezer to cool down completely. |
| Temperature inside the freezer is too cold. | Temperature control is set too cold. Turn the control to a warmer setting and allow several hours for the temperature to stabilize. |
| Popping or cracking sound when compressor comes on. | Metal parts undergo expansion and contraction, as in hot water pipes. This is normal. Sound will level off or disappear as freezer continues to run. |
| Bubbling or gurgling sound, like water boiling. | Refrigerant (used to cool freezer) is circulating throughout the system. This is normal. |
| Vibrations. | Check to assure that the freezer is level. Floor is uneven or weak. Freezer rocks on the floor when it is moved slightly. Be sure floor can adequately support freezer. Level the freezer by putting wood or metal shims under part of the freezer. The freezer is touching the wall. Re-level the freezer and move it from the wall. See "Installation Instructions". |
| Moisture forms on inside freezer walls. | Weather is hot and humid, which increases internal rate of frost build-up. This is normal. |

| | |
|---------------------------------------|--|
| | Door is slightly open. Door is kept open too long, or is opened too frequently. Open the door less often. The door is not sealed properly. |
| Moisture forms on outside of freezer. | Door is slightly open, causing cold air from inside the freezer to meet warm moist air from outside. |
| The door will not close properly. | The freezer is not level. The gasket is dirty. The storage basket is out of position. |

DANGER or WARNING:

| | | |
|---|---------------|--|
|  | DANGER |  |
| <p>DANGER—Risk of Fire or Explosion. Flammable Refrigerant Used. Do Not Use Mechanical Devices To Defrost Refrigerator. Do Not Puncture Refrigerant Tubing.</p> | | |

| | | |
|---|----------------|--|
|  | CAUTION |  |
| <p>DANGER—Risk of Fire or Explosion. Flammable Refrigerant Used. To Be Repaired Only By Trained Service Personnel. Do Not Use Mechanical Devices. Do Not Puncture Refrigerant Tubing.”</p> <p>CAUTION—Risk of Fire or Explosion. Flammable Refrigerant Used. Consult Repair Manual/Owner’s Guide Before Attempting To Service This Product. All safety Precautions Must be Followed.”</p> <p>CAUTION—Risk of Fire or Explosion. Dispose of Properly In Accordance With Federal Or Local Regulations. Flammable Refrigerant Used.”</p> <p>CAUTION—Risk of Fire or Explosion Due To Puncture Of Refrigerant Tubing; Follow Handling Instructions Carefully. Flammable Refrigerant Used.</p> | | |

1. Risk of child entrapment. Before you throw away your old refrigerator or freezer:
 - Take off doors.
 - Leave the shelves in place so that children may not easily climb inside.
2. Do not use extension cords.

Gentle Reminder:

When the environment temperature and relative humidity is high, there may be frost or water dew phenomenon on the mouth box and door bar of the freezer, wipe it with dry rag.



ArcticKing Chest Freezer Warranty

Your product is protected by this warranty:

Warranty service must be obtained from Classic Consumer Services or an authorized Midea servicer.

Warranty

- One year full warranty from original purchase date.

ArcticKing, through its authorized servicers will:

- Pay all costs for repairing or replacing parts of this appliance which prove to be defective in materials or workmanship.

Consumer will be responsible for:

- Diagnostics, removal, transportation and reinstallation cost required because of service.
- Costs of service calls that are a result of items listed under **NORMAL RESPONSIBILITIES OF THE CONSUMER****

ArcticKing replacement parts shall be used and will be warranted only for the period remaining on the original warranty.

NORMAL RESPONSIBILITIES OF THE CONSUMER**

This warranty applies only to products in ordinary household use, and the consumer is responsible for the items listed below:

1. Proper use of the appliance in accordance with instructions provided with the product.
2. Routine maintenance and cleaning necessary to keep the good working condition.
3. Proper installation by an authorized service professional in accordance with instructions provided with the appliance and in accordance with all local plumbing, electrical and / or gas codes.
4. Proper connection to a grounded power supply of sufficient voltage, replacement of blown fuses, repair of loosened connections or defects in house wiring.
5. Expenses for making the appliance accessible for servicing.
6. Damages to finish after installation.

EXCLUSIONS

This warranty does not cover the following:

- 1) Failure caused by damage to the unit while in your possession (other than damage caused by defect or malfunction), by its improper installation, or by unreasonable use of the product, including without limitation, failure to provide reasonable and necessary maintenance or to follow the written Installation and Operating Instructions.
- 2) Products purchased "as-is" or refurbished are not covered by this warranty.
- 3) Food loss caused by refrigerator or freezer failure.
- 4) Service calls to repair or replace consumables such as water filters, light bulbs air filters etc., or handles, knobs and other cosmetic parts.
- 5) Product that has been transferred from its original owner.
- 6) Interior or exterior rust on the unit.
- 7) Damages caused by services performed by persons other than authorized Midea servicers; use of parts other than Midea replacement parts; obtained from persons other than such Midea customer service; or external causes such as abuse, misuse, inadequate power supply or acts of God.
- 8) Service calls resulting from improper installation of your product.
- 9) Service calls to instruct you on the use of your product.
- 10) Surcharges including, but not limited to, any after hour, weekend, or holiday service calls, tolls, ferry trip charges, or mileage expense for service calls to remote areas, including the state of Alaska.
- 11) If the unit is put to commercial, business, rental, or other use or application other than for consumer use, we make no warranties, express or implied, including but not limited to, any implied warranty of merchantability or fitness for particular use or purpose.
- 12) Product that has been removed outside the USA or Canada.
- 13) Products without original serial numbers or products that have serial numbers which have been altered or cannot be readily determined.

Note: Some states do not allow the exclusion or limitation of incidental or consequential damages. So this limitation or exclusion may not apply to you.

IF YOU NEED SERVICE

Keep your bill of sale, delivery slip, or some other appropriate payment record.

The date on the bill established the warranty period should service be required.

If service is performed, it is in your best interest to obtain and keep all receipts.

This written warranty gives you specific legal rights. You may also have other rights that vary from state to state.

Service under this warranty must be obtained by following these steps, in order:

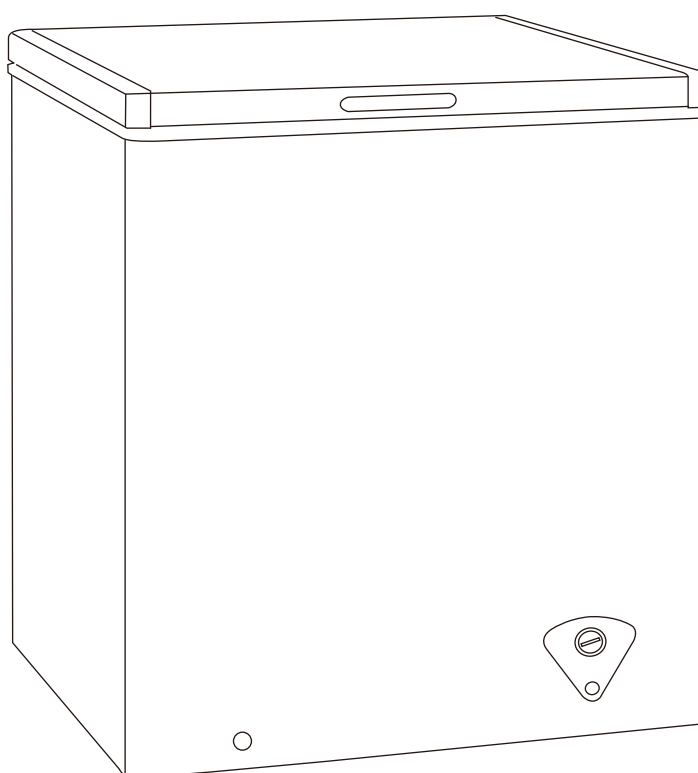
1. Contact Classic Consumer Services or an authorized ArcticKing servicer at 1-866-646 4332.
2. If there is a question as to where to obtain service, contact our consumer relations Department.



Manuel d'instruction

Congélateur horizontal

Modèle : AC05ESWCR1RCM
AC7ETWCR1RCM



INSTRUCTIONS D'INSTALLATION

Avant d'utiliser votre congélateur

- ◆ Retirer les matériaux d'emballage extérieurs et intérieurs.
- ◆ Vérifier la présence de tous les éléments suivants :
 - 1 panier amovible
 - 1 manuel d'instruction
 - 1 grattoir en plastique
- ◆ Avant de brancher le congélateur sur le secteur, laissez-le à la verticale pendant environ 2 heures. Cela réduira la possibilité d'un dysfonctionnement du système de refroidissement lié à la manutention et le transport.
- ◆ Nettoyer la surface intérieure à l'eau tiède avec un chiffon doux.

Installation de votre congélateur

- ◆ Cet appareil est conçu exclusivement pour être autoportant, et ne devrait être ni encastré ni intégré.
- ◆ Placer le congélateur sur un plancher suffisamment solide pour soutenir le congélateur entièrement chargé.
- ◆ Laisser 15 cm d'espace entre l'arrière et les côtés du congélateur pour permettre la circulation de l'air.
- ◆ Placer le congélateur à l'abri du soleil et des sources de chaleur (four, chauffage, etc.). La lumière directe du soleil peut en affecter le revêtement acrylique et toute source de chaleur en augmenter la consommation électrique. Des températures ambiantes extrêmement basses peuvent également empêcher le congélateur de fonctionner correctement.
- ◆ Éviter de placer le congélateur dans une zone humide.
- ◆ Brancher le congélateur sur une prise murale exclusive et à la terre. En aucun cas ne réduire ou supprimer le troisième pôle (terre) du cordon d'alimentation. Toute question concernant l'alimentation électrique et/ou la mise à la terre doit être adressée à un électricien certifié ou un centre de service autorisé.
- ◆ Après avoir branché l'appareil à une prise murale, le laisser refroidir pendant 2-3 heures avant de placer des aliments dans le compartiment congélateur.

Raccordement électrique

Pour votre sécurité, veuillez lire les informations suivantes

FONCTIONNEMENT DU CONGÉLATEUR

Réglage du thermostat

- Le thermostat permet de réguler la température. La commande en est située sur le coin inférieur droit.
- La plage de réglage de température se situe entre les positions : MIN, MAX et OFF. Ajuster la température au réglage qui correspond le mieux à vos besoins.

REMARQUE :

- ◆ Si l'appareil est débranché, en panne d'électricité, ou éteint, il faut attendre de 3 à 5 minutes avant de le remettre en marche. Avant ce délai, le congélateur ne se remettra pas sous tension.
- ◆ De grandes quantités d'aliments feront baisser l'efficacité du refroidissement de l'appareil.
- ◆ Si vous choisissez de modifier le réglage du thermostat, l'ajuster d'un incrément numérique à la fois. Laisser la température se stabiliser pendant plusieurs heures entre ajustements.

Dégivrage

- ◆ **Quand procéder au dégivrage?** Pour le fonctionnement le plus efficace et la consommation d'énergie minimale, faites dégivrer le congélateur lorsque le givre des parois dépasse les 5 à 10 mm d'épaisseur.
- ◆ Choisissez un moment où le stock d'aliments congelés est peu important.

ATTENTION

Ne pas utiliser d'eau bouillante, qui peut endommager les pièces en plastique. En outre, ne jamais utiliser d'instrument pointu ou métallique pour enlever le givre car cela pourrait endommager les serpentins de refroidissement et annulera la garantie. Nous vous recommandons d'utiliser le grattoir en plastique fourni avec votre appareil.

- ◆ Retirer les aliments surgelés du congélateur et les placer dans une glacière pour les protéger.
- ◆ Débrancher le congélateur. Le voyant d'alimentation (vert) devrait s'éteindre.
- ◆ Le dégivrage fera fondre la glace.
- ◆ Retirer le bouchon de vidange de la paroi inférieure du congélateur en tirant tout droit.
- ◆ Placer un récipient bas à l'extérieur de la sortie de vidange. L'eau de dégivrage s'écoulera.
- ◆ Vérifier occasionnellement que l'eau ne déborde pas.
- ◆ Nettoyer l'intérieur du congélateur.
- ◆ Replacer le bouchon à l'intérieur.
- ◆ Réinitialiser le réglage du thermostat.
- ◆ Laisser l'appareil refroidir pendant une heure.
- ◆ Remettre les aliments dans le congélateur.

INDICATIONS ET CONSEILS :

Le dégivrage prend habituellement quelques heures. Laisser la porte ouverte peut en accélérer le processus. Verser de l'eau chaude (et non bouillante) sur la glace/ le givre les aidera également à fondre. N'utiliser un grattoir qu'avec précaution, car il est très facile d'endommager le congélateur et d'en annuler ainsi la garantie.

Compartment de congélation

- ◆ Ce compartiment est conçu pour le stockage d'aliments à long terme. Cela peut aller jusqu'à trois mois.
- ◆ La durée de stockage des aliments varie et les durées maximales ne devraient pas être dépassées. Les instructions concernant les aliments congelés doivent être respectées lors du dégivrage.
- ◆ Les aliments pré-emballés commercialement surgelés devraient être conservés conformément aux instructions du fabricant des surgelés pour compartiment de stockage des aliments surgelés ou congélateur domestique trois étoiles.
- ◆ Mettez les surgelés au congélateur le plus rapidement possible après achat. Si des instructions concernant la durée de stockage se trouvent sur le paquet, suivez-les attentivement.
- ◆ Une accumulation de glace excessive peut entraîner la rupture de la porte. Assurez-vous de procéder au dégivrage lorsque la glace atteint 5 à 10 mm d'épaisseur.
- ◆ Un panier de rangement est fourni pour les objets de forme irrégulière. Pour atteindre les autres articles dans le congélateur, il suffit de glisser le panier de côté ou de le soulever pour le faire sortir.

ENTRETIEN

Nettoyage du congélateur

- ◆ Une fois votre nouvel appareil installé, il est recommandé de le nettoyer à fond.
- ◆ Régler la commande de température sur «MIN», débrancher le congélateur, retirer les aliments et le panier de rangement.
- ◆ Laver l'intérieur avec un chiffon humide chaud et une solution d'eau et de bicarbonate de soude. La solution doit être d'environ 2 cuillères à soupe de bicarbonate pour un litre d'eau.
- ◆ Laver le panier de rangement avec une solution de détergent doux.
- ◆ Assurez-vous de garder le joint de porte propre pour le bon fonctionnement de l'appareil.
- ◆ L'extérieur du congélateur doit être nettoyé avec un détergent doux et de l'eau chaude.
- ◆ Sécher l'intérieur et à l'extérieur avec un chiffon doux.
- ◆ Les serpentins du condenseur devraient être nettoyés à l'aspirateur lorsqu'ils deviennent sales ou poussiéreux.
- ◆ Il est recommandé de nettoyer l'appareil chaque fois qu'il est dégivré pour l'aider à rester sans odeur et à fonctionner efficacement.

Départ en vacances

- ◆ Vider entièrement le congélateur.
- ◆ Débrancher le congélateur.
- ◆ Nettoyer le congélateur.
- ◆ Laisser la porte légèrement ouverte pour éviter la formation possible de condensation, de moisissure, ou d'odeurs.
- ◆ Faites preuve d'extrême prudence avec des enfants. L'appareil ne doit pas être accessible pour des jeux d'enfant.
- ◆ **Absences courtes** : Laisser le congélateur fonctionner pendant des congés de moins de trois semaines.
- ◆ **Absences longues** : Si l'appareil est destiné à ne pas être utilisé pendant plusieurs mois, le vider entièrement et débrancher le cordon d'alimentation. Nettoyer et sécher soigneusement l'intérieur. Pour prévenir moisissure et odeurs, laisser la porte entrouverte: la bloquer si nécessaire, la retirer.

Déplacement du congélateur

- ◆ Vider entièrement le congélateur.
- ◆ Scotcher solidement toute pièce détachée à l'intérieur du congélateur.
- ◆ Retirer les roulettes pour prévenir tout dommage.
- ◆ Scotcher la porte.
- ◆ Assurez-vous que le congélateur reste en position verticale pendant le transport.

Conseils pour économiser de l'énergie

- ◆ Le congélateur doit être situé dans la partie la plus fraîche de la pièce, loin de la chaleur des appareils ou conduits de chauffage, et à l'abri de la lumière directe du soleil.
- ◆ Laisser les aliments chauds refroidir à température ambiante avant de les placer dans le congélateur. Une surcharge du réfrigérateur force le compresseur à tourner plus longtemps. Les aliments qui mettent longtemps à se congeler peuvent perdre de leur qualité ou se gâter.
- ◆ Assurez-vous d'emballer les aliments correctement et d'essuyer les conteneurs avant de les placer dans le congélateur. Cela permet de réduire l'accumulation de givre dans le congélateur.
- ◆ Les étagères ne doivent pas être recouvertes d'aluminium, de papier ciré ou de papier absorbant. Ceci pourrait interférer avec la circulation d'air froid, ce qui réduirait l'efficacité du congélateur.
- ◆ Ranger les aliments de manière à minimiser les ouvertures de la porte et les recherches prolongées. Sortir autant que possible tous les aliments requis en une fois et refermer la porte aussitôt que possible.

EN CAS DE PROBLÈME

Il est possible de facilement résoudre de nombreux problèmes de congélation communs, et d'économiser ainsi le coût possible d'une visite de service. Essayez d'abord les suggestions suivantes pour voir si vous pouvez résoudre le problème avant de téléphoner au service à la clientèle. Si l'appareil continue à ne pas fonctionner correctement, appelez un service de réparation autorisé ou le numéro suivant. +1 866 646 4332



GUIDE DE DÉPANNAGE



| PROBLÈME | CAUSE POSSIBLE |
|--|---|
| Le réfrigérateur ne fonctionne pas. | L'appareil n'est pas branché. Disjoncteur déclenché ou fusible grillé. |
| Le compresseur s'allume et s'éteint fréquemment. | Température ambiante plus élevée que d'habitude. Grande quantité de nourriture ajoutée au congélateur. Porte ouverte trop souvent. Porte pas complètement fermée. Mauvais réglage de température. Joint de porte défectueux. Dégagements insuffisants autour du congélateur. Congélateur récemment resté débranché. Quatre heures sont nécessaires pour que le congélateur refroidisse complètement. |
| La température à l'intérieur du congélateur est trop élevée. | Réglage de la température trop élevé. Régler la température plus bas et attendre quelques heures qu'elle se stabilise. Porte restée ouverte trop longtemps ou ouverte trop fréquemment. De l'air chaud pénètre dans le congélateur chaque fois que la porte est ouverte. Ouvrir la porte moins souvent. Porte pas complètement fermée. Joint de porte défectueux. Une grande quantité d'aliments chauds a récemment été mise au congélateur. Donner au congélateur le temps d'atteindre la température sélectionnée. Congélateur récemment resté débranché. Quatre heures sont nécessaires pour que le congélateur refroidisse complètement. |
| La température à l'intérieur du congélateur est trop basse. | Réglage de la température trop bas. Régler la température plus haut et attendre quelques heures qu'elle se stabilise. |
| Un claquage ou un craquement se fait entendre lorsque le compresseur se met en marche. | Les parties métalliques se dilatent et se contractent, comme des tuyaux d'eau chaude. Cela est normal. Les bruits se stabiliseront ou disparaîtront comme le congélateur continuera à fonctionner. |
| Bouillonnement ou gargouillements, comme de l'eau bouillante. | Du réfrigérant (utilisé pour refroidir le congélateur) circule dans le système. Cela est normal. |

| | |
|-------------|--|
| Vibrations. | Vérifier que le congélateur repose de manière horizontale. Sol irrégulier ou en pente. Le congélateur oscille quand il est légèrement déplacé. S'assurer que le plancher peut soutenir le congélateur. Mettre le congélateur à niveau en plaçant des cales en bois ou en métal aux endroits adéquats. Le réfrigérateur touche le mur. Stabiliser le congélateur et l'éloigner du mur. Voir Instructions d'installation. |
|-------------|--|

| | |
|--|---|
| De la condensation se forme sur les parois intérieures du congélateur. | Il fait chaud et humide, ce qui augmente le taux d'accumulation de givre. Cela est normal. Porte entrouverte. Porte restée ouverte trop longtemps ou ouverte trop souvent. Ouvrir la porte moins souvent. Joint de porte défectueux. |
| De la condensation se forme sur les parois extérieures du congélateur. | La porte est entrouverte, laissant se rencontrer l'air froid de l'intérieur du congélateur et l'air chaud et humide de l'extérieur. |
| La porte ne ferme pas complètement. | Congélateur incliné. Joint sale. Panier mal ajusté. |

DANGER ou AVERTISSEMENT :

 **DANGER** 
DANGER — Risque d'incendie ou d'explosion. Réfrigérant inflammable utilisé. Ne pas utiliser de dispositifs mécaniques pour le dégivrage. Ne pas percer le tube de réfrigérant.

 **ATTENTION** 
DANGER — Risque d'incendie ou d'explosion. Réfrigérant inflammable utilisé. Toute réparation ne doit être effectuée que par un personnel d'entretien formé autorisé. Ne pas utiliser de dispositifs mécaniques.
 Ne pas percer le tube réfrigérant.
DANGER — Risque d'incendie ou d'explosion. Réfrigérant inflammable utilisé. Consulter le Manuel de réparation / Guide de l'utilisateur avant d'essayer de réparer ce produit. Toutes les mesures de sécurité doivent être prises.
ATTENTION — Risque d'incendie ou d'explosion. Jeter conformément aux règlements locaux, provinciaux et fédéraux. Réfrigérant inflammable utilisé.
ATTENTION — Risque d'incendie ou d'explosion en cas de perforation du tube réfrigérant; Suivez attentivement les instructions de manutention. Réfrigérant inflammable utilisé.

- Risque de piégeage des enfants. Avant de jeter votre réfrigérateur ou congélateur usagé :
 - Retirez-en les portes.
 - Laisser les étagères en place pour que les enfants ne puissent pas facilement s'y loger.
- Ne pas utiliser de rallonge.

Rappel utile :

Lorsque la température ambiante et l'humidité relative sont élevées, si du givre ou de l'humidité se forme autour de la porte du congélateur, l'essuyer avec un chiffon sec.



Garantie du congélateur horizontal ArcticKing

Cette garantie protège votre appareil :

Le service de garantie doit être obtenu auprès de Classic Consumer Services ou d'un réparateur agréé Midea.

Garantie

- Un an pleine garantie à compter de la date d'achat d'origine.

Par l'intermédiaire de ses réparateurs agréés, ArcticKing s'engage à ce qui suit :

- Prise en charge tous les frais de réparation ou de remplacement de pièces de cet appareils relevant d'un défaut de matériaux ou de fabrication.

Le consommateur est responsable de ce qui suit :

- Coûts de diagnostics, d'enlèvement, de transport et de réinstallation requis.
- Coûts de visites de service qui sont le résultat de points énumérés sous

RESPONSABILITÉS NORMALES DU CONSOMMATEUR**

Des pièces de rechange ArcticKing seront utilisées et ne seront garanties que pour la période restante de la garantie d'origine.

RESPONSABILITÉS NORMALES DU CONSOMMATEUR**

Cette garantie concerne uniquement les produits en usage domestique, et le consommateur est responsable pour les éléments énumérés ci-dessous :

1. Utilisation correcte de l'appareil selon les instructions fournies avec le produit.
2. Entretien et nettoyage de routine nécessaires pour maintenir le bon état de fonctionnement.
3. Installation adéquate par un professionnel agréé conformément aux instructions fournies avec l'appareil et conformément à tous les codes de plomberie, d'électricité et / ou de gaz.
4. Connexion adéquate à une alimentation mise à la terre de tension suffisante, remplacement des fusibles grillés, réparation des connexions desserrées ou de défauts dans le câblage de la maison.
5. Frais nécessaires pour rendre l'appareil accessible pour l'entretien.
6. Dommages au fini après l'installation.

EXCLUSIONS

Cette garantie ne couvre pas ce qui suit :

- 1) Défaillance causée par des dommages à l'appareil pendant qu'il est en votre possession (autres que les dommages causés par un défaut ou un dysfonctionnement), par une mauvaise installation, ou par une utilisation déraisonnable du produit, y compris, sans limitation, le défaut de fournir un entretien raisonnable et nécessaire ou de suivre les instructions écrites d'installation et d'utilisation.
- 2) Produits achetés "tel quel" ou remis à neuf ne sont pas couverts par la garantie.
- 3) Perte d'aliments causée par une panne du réfrigérateur ou congélateur.
- 4) Visites de service pour réparer ou remplacer les consommables tels que: filtres à eau, ampoules, filtres à air, etc., ou poignées, boutons et autres pièces cosmétiques.
- 5) Un produit qui n'appartient plus à son propriétaire initial.
- 6) Rouille à l'intérieur ou à l'extérieur de l'appareil.
- 7) Dommages causés par le dépannage ou l'entretien effectué par des personnes autres que des techniciens autorisés Midea, l'utilisation de pièces autres que les pièces de rechange Midea, obtenues de personnes autres que le service à la clientèle Midea, ou par des causes externes telles que: utilisation abusive, alimentation électrique inadéquate ou désastre naturel.
- 8) Visites de service résultant d'une mauvaise installation de votre produit.
- 9) Visites de service pour vous instruire sur l'utilisation de votre produit.
- 10) Surtaxes, y compris, mais sans s'y limiter, après les heures ouvrables, le weekend ou les jours fériés, les droits de péages, les frais de voyage, de convoyage ou de kilométrage pour les visites de service dans les régions éloignées, état de l'Alaska inclus.
- 11) Si l'appareil est utilisé à des fins commerciales, mis en location, ou toute autre utilisation ou application autre que pour l'usage du consommateur, nous ne donnons aucune garantie, expresse ou implicite, y compris mais sans s'y limiter, toute garantie implicite de valeur marchande ou d'aptitude à utilisation ou à but spécial.
- 12) Un produit qui a été emmené à l'extérieur des États-Unis ou du Canada.
- 13) Produits sans numéros de série d'origine ou dont les numéros de série ont été modifiés ou ne peuvent pas être facilement déterminés.

Remarque : Certains états n'autorisent pas l'exclusion ou la limitation de dommages circonstanciels ou consécutifs. Cette limitation ou exclusion peut donc ne pas s'appliquer à vous.

SI VOUS AVEZ BESOIN DE SERVICE APRÈS VENTE

Gardez votre facture de vente, de livraison ou une autre preuve de paiement appropriée. La date de la facture établit la période de garantie si une réparation est nécessaire. Si le service est effectué, il est dans votre intérêt d'obtenir et de conserver tous les reçus. Cette garantie vous donne des droits juridiques spécifiques. Vous pouvez également avoir d'autres droits, qui varient d'état à état.

Tout service sous garantie doit être obtenu en suivant les étapes suivantes, dans l'ordre :

1. Contacter Classic Consumer Services ou un réparateur ArcticKing autorisé au +1-866-646-4332.
2. Pour savoir où obtenir le service, contacter notre service Relations avec les consommateurs.