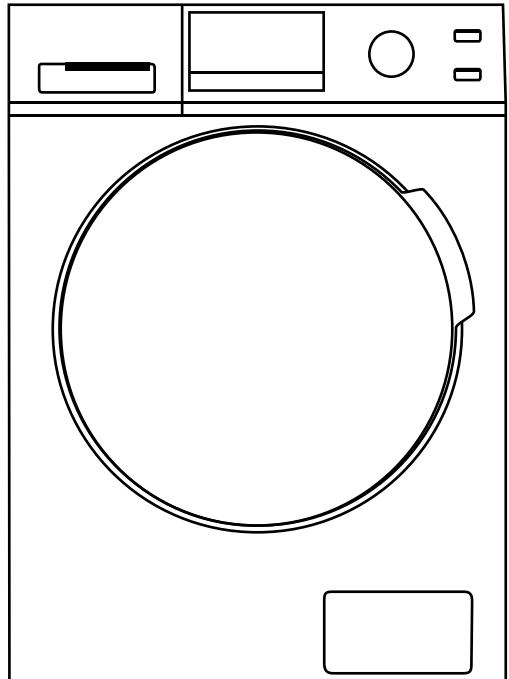




# USER MANUAL & INSTALLATION INSTRUCTIONS

## Washer Dryer Combo

Power supply: 120V~  
Frequency: 60 Hz



**Warning:**  
Before using this product, please read this manual carefully and keep it for future reference. The design and specifications are subject to change without prior notice for product improvement. Consult with your dealer or manufacturer for details.

**Free 3 months extension of the original limited warranty period!\*** Simply text a picture of your proof of purchase to:

**1-844-224-1614**

\*The warranty extension is for the three months immediately following the completion of the product's original warranty period. Individuals do not need to register the product in order to get all the rights and remedies of registered owners under the original limited warranty.

# Dear user

---

**THANK YOU** and **CONGRATULATIONS** on your purchase of this high-quality Midea product. Your Midea washer dryer combo is designed for reliable, trouble-free performance. Please take a moment to register your new washer dryer combo.

Register your new washer dryer combo at  
**[www.midea.com/ca/support/Product-registration](http://www.midea.com/ca/support/Product-registration)**

For future reference, record your product model and serial numbers located on the inside frame of the machine.

Model Number \_\_\_\_\_

Serial Number \_\_\_\_\_

<b>SAFETY INSTRUCTIONS.....</b>	<b>4</b>
<b>FEATURES .....</b>	<b>9</b>
Package contents .....	9
Main components .....	10
<b>OPERATION REQUIREMENTS.....</b>	<b>11</b>
Electrical requirements .....	11
Water requirements.....	12
Drainage requirements .....	12
<b>INSTALLATION INSTRUCTIONS.....</b>	<b>13</b>
Unpacking your washer.....	13
Choosing a location.....	14
Tools you will need.....	18
Connect the water hoses .....	18
Connect the drain hose .....	20
Level your washer .....	22
Power on .....	23
Run a test cycle .....	24
<b>OPERATION INSTRUCTIONS .....</b>	<b>25</b>
Control panel .....	25
Washing a load of laundry.....	27
Setting the child lock .....	31
Washer options and settings .....	32

<b>CARE AND CLEANING .....</b>	<b>33</b>
Cleaning and maintenance.....	33
<b>BEFORE YOU CALL FOR SERVICE .....</b>	<b>39</b>
Error codes .....	41
<b>WARRANTY.....</b>	<b>42</b>

## READ AND KEEP THESE INSTRUCTIONS FOR FUTURE REFERENCE

This manual contains important information on the installation, use, and care of your appliance. Please read this manual carefully before installation and operation of this machine to prevent injury and property damage.

Warnings and Important Safety Instructions in this manual DO NOT cover all possible conditions and situations that may occur. It is your responsibility to use common sense, caution and care when installing, maintaining and operating your washer.



**CAUTION**  
**RISK OF ELECTRIC SHOCK**  
**DO NOT OPEN**



# SAFETY INSTRUCTIONS

YOUR SAFETY AND THE SAFETY OF OTHERS ARE VERY IMPORTANT

To prevent injury to the user or other people and property damage, the instructions shown here must be followed. Incorrect operation due to ignoring of instructions may cause harm or damage, including death.

The level of risk is shown by the following indications.



This indicates that hazards or unsafe practices may cause serious personal injury or death. To reduce the risk of fire, explosion, electric shock or personal injury when using your washing machine, you **SHOULD** follow these basic safety precautions.



This indicates that hazards or unsafe practices may cause minor personal injury or property damage.



This symbol indicates that there are important operating and maintenance instructions in the literature accompanying your washing machine

## **WARNING**

Do not store or use gasoline or other flammable vapors and liquids in the vicinity of this or any other appliance.

## **WARNING** IMPORTANT SAFETY INSTRUCTIONS

### **Basic precautions**

To reduce the risk of fire, electric shock, or injury to persons when using your appliance, follow basic precautions:

- Read all instructions before using the appliance.
- Do not wash articles that have been previously cleaned in, washed in, soaked in, or spotted with gasoline, dry-cleaning solvents, or other flammable or explosive substances, as they give off vapors that could ignite or explode.
- Do not add gasoline, dry-cleaning solvents, or other flammable or explosive substances to the wash water. These substances give off vapors that could ignite or explode.
- Never stop a tumble dryer before the end of the program and spread out so that the heat is dissipated.
- Always unplug the washing machine from the power supply before attempting any service. Disconnect the power cord by grasping the plug, not the cord.

- To reduce the risk of fire, clothes, cleaning rags, mop heads and the like which have traces of any flammable substance, such as vegetable oil, cooking oil, petroleum based oils or distillates, waxes, fats, etc. must not be placed in the washing machine. These items may contain flammable substances which, even after washing, may smoke or catch fire.
- Never place items in the washer that have been dampened with gasoline or any combustible or explosive substance. Do not wash or dry anything that has been soaked in or spotted with any type of oil (including cooking oils). Doing so can result in fire, explosion, or death.
- Do not allow children to play on or in the appliance. Close supervision of children is necessary when the appliance is used near children.
- Glass door or protector may be very hot during the operation. Keep kids and pets far away from the machine during the operation.
- This machine is not intended for use by persons (including kids) with reduced physical, sensory or mental capabilities, or lack of experience and knowledge, unless they have been given supervision or instruction concerning use of the machine by a person responsible for their safety.
- Do not machine wash fiberglass materials (such as curtains and window coverings that use fiberglass materials.) Small particles may remain in the washing machine and stick to fabrics in subsequent wash loads causing skin irritation.
- Before the appliance is removed from service or discarded, remove the door and cut off the power cord.
- Do not reach into the appliance if the tub or agitator is moving.
- Do not install or store this appliance where it will be exposed to the weather.
- Do not tamper with controls.
- Do not repair or replace any part of the appliance or attempt any servicing unless specifically recommended in the user-maintenance instructions or in published user-repair instructions that you understand and have the skills to carry out.
- Make sure that all pockets are emptied. Sharp and rigid items such as coin, brooch, nail, screw or stone etc. may cause serious damages to this machine.
- Pull out its plug and cut off the water supply after the operation.
- Make sure that the water inside the drum has been drained before opening its door. Please do not open the door if there is any water visible.
- Do not try to repair the machine by yourself. The machine may be damaged or more troublesome repair work may be needed and even dangerous operation may take place if it is repaired by any inexperienced or unqualified staff.
- If the plug (power cord) is damaged, it shall be replaced by the manufacturer or a service agent to avoid any danger.
- Take care that power voltage and frequency shall be identical to those of washing machine.
- Do not use any socket with rated current less than that of the washing machine. Never pull out a power plug with a wet hand.

- To ensure your safety, the power cord plug must be inserted in to an grounded three-pole socket. Check carefully and make sure that your socket is properly and reliably grounded.
- This washing machine should only be repaired and serviced by qualified technicians.
- If connected to a circuit protected by fuses, use time-delay fuses with this appliance.
- Under certain conditions, hydrogen gas may be produced in a hot-water system that has not been used for 2 weeks or more. HYDROGEN GAS IS EXPLOSIVE. If the hot-water system has not been used for such a period, before using a washing machine, turn on all hot-water faucets and let the water flow from each for several minutes. This will release any accumulated hydrogen gas. As the gas is flammable, do not smoke or use an open flame during this time.
- Do not dry articles that have been previously cleaned in, washed in, soaked in, or spotted with gasoline, dry-cleaning solvents, or other flammable or explosive substances, as they give off vapours that could ignite or explode.
- Do not use fabric softeners or products to eliminate static unless recommended by the manufacturer of the fabric softener or product.
- Do not use heat to dry articles containing foam rubber or similarly textured rubber-like materials.
- Do not place items exposed to cooking oils in your dryer. Items contaminated with cooking oils may contribute to a chemical reaction that could cause a load to catch fire. To reduce the risk of fire due to contaminated loads, the final part of a tumble dryer cycle occurs without heat (cool down period). Avoid stopping a tumble dryer before the end of the drying cycle unless all items are quickly removed and spread out so that the heat is dissipated.



## WARNING

### Grounding

- This appliance must be grounded. In the event of a malfunction or breakdown, grounding will reduce the risk of electric shock by providing a path of least resistance for the electric current. This appliance is equipped with a cord that has an equipment grounding conductor and a grounding plug. The plug must be plugged into an appropriate outlet that is properly installed and grounded in accordance with all local codes and ordinances.
- Improper connection of the equipment grounding conductor can result in electric shock. Connect to an individual branch circuit. Check with a qualified electrician or serviceman if you are in doubt as to whether the washer is properly grounded.
- DO NOT modify the plug provided with the appliance if it will not fit the outlet. Please have a proper outlet installed by a qualified electrician.



## WARNING

### Before operating this machine

- Packing materials may be dangerous to the kids. Please keep all packing materials (plastic bags, foams, etc.) far away from kids.
- Washing machine shall not be installed in a bath room or very wet rooms as well as in rooms with explosive or caustic gases.
- Make sure that the water and electrical devices must be connected by a qualified technician in accordance with the manufacturer's instructions and local safety regulations.
- Before operating this machine, all packages and transport bolts must be removed. Otherwise, the washing machine may be seriously damaged while washing the clothes.
- Before washing the clothes the first time, the washing machine shall be operated in **Cotton** and **hot water** procedures without the clothes inside.
- This washing machine is for indoor use only.



## WARNING

### Attention shall be paid to protecting the machine

- Do not climb up and sit on the top cover of the machine.
- Do not lean against the machine door.
- Please do not close the door with excessive forces. If it is found difficult to close the door, please check if the excessive clothes are put in or distributed well.



## WARNING

### Cautions during handling machine

- Transport bolts shall be reinstalled to the machine by a specialized person.
- The accumulated water shall be drained out of the machine.
- Handle the machine carefully. Never hold each protruded part on the machine while lifting.
- Machine door can not be used as the handle during the conveyance.



## WARNING

### Cautions when washing clothes

- Cold city water shall be used and hot water may also be connected according to the local situations.
- Your washing machine is only for home use and is only designed for the textiles suitable for machine washing.
- Flammable and explosive or toxic solvents are forbidden. Gasoline and alcohol etc. shall not be used as detergents. Please only select the detergents suitable for machine washing, especially for front loading.
- Do not wash carpet in this machine.
- Never refill the water by hand during washing.
- Always follow the fabric care instructions recommended by the clothing manufacturer.
- Do not use the washing machine if it has a worn power cord or loose plug. Contact an authorized service agent.
- Do not operate the washing machine if any guards, panels and/or fasteners, except transport fixing bolts, have been removed. Check the fill hose connections on a regular basis to ensure that they are tight and not leaking.
- Do not operate the washing machine if parts are missing or broken.
- Do not touch the door if washing at high temperatures.

### NOTE:

- The IMPORTANT SAFETY INSTRUCTIONS indicated in this manual do not cover all possible conditions which may occur. Common sense, caution, and care must be exercised when installing, maintaining, or operating the washing machine.
- Always contact your dealer, distributor, service agent, or the manufacturer about any problems or conditions that you do not understand.



## WARNING

### Installation requirements

- This machine must be grounded properly. If there is any short circuit, grounding can reduce the danger of electrical shock. This machine is equipped with power cord, which includes plug, grounding wire at grounding terminal.
- Washing machine shall be operated in a circuit separate from other electrical appliances. Otherwise, the power protector may be tripped or the fuse may be burned out.

### NOTE: Environmental Protection

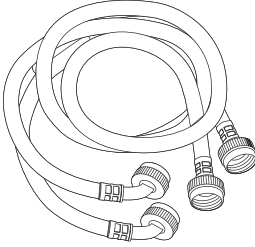
- If you plan to dispose of this machine, please comply with the local waste disposal regulations. Cut off the power cord so that it will not be put into reuse.
- Remove the door so that kids and animals will not be trapped in the machine.
- Do not use excessive detergents.



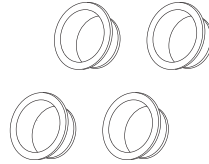
# FEATURES

## Package Contents

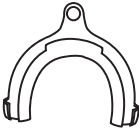
Make sure that the following items came with your washer



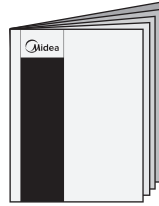
Water hoses (x2)



Transport hole plugs (x4)



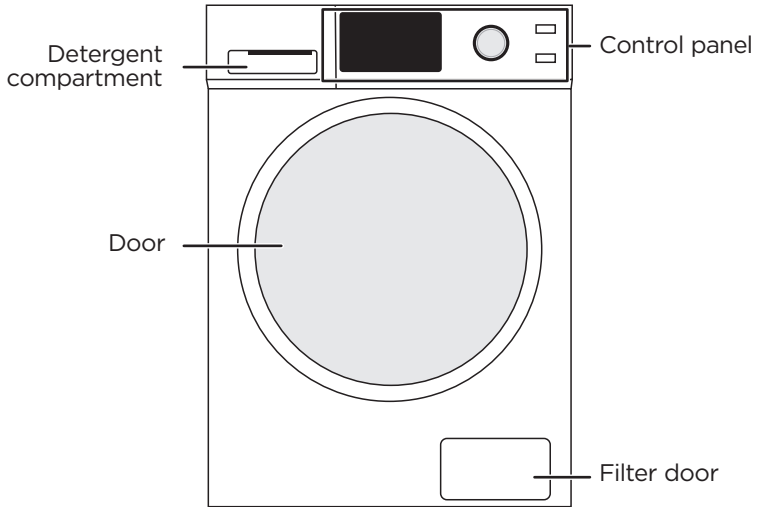
Hose holder  
(1)



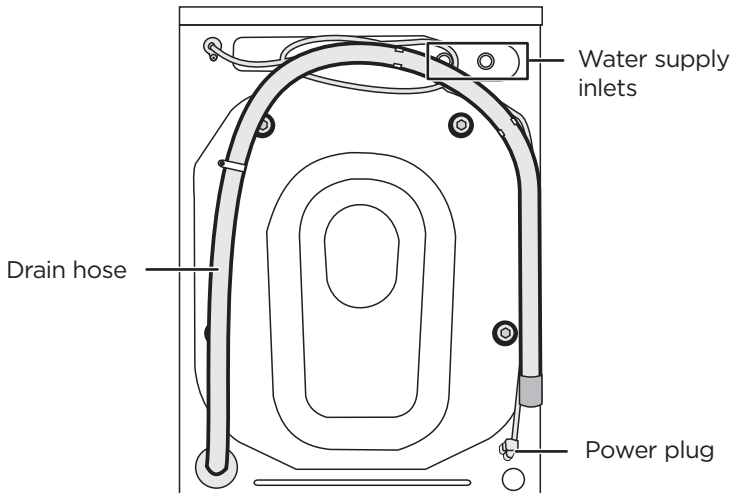
User Guide

# Main components

## Front



## Back



Safety Instructions
Features
Operation Requirements
Installation Instructions
Operation Instructions
Care and Cleaning
Troubleshooting

# INSTALLATION REQUIREMENTS

## Electrical requirements

### WARNING

To reduce the risk of fire, electric shock, or injury to persons, read the SAFETY INSTRUCTIONS before operating this appliance.

### WARNING

- Connect to grounded 3-prong outlet with an individual 12 amp branch circuit protected by a 12 amp circuit breaker.
- Connect to individual branch circuit.
- Do not remove the ground prong.
- Do not use an adapter.

Failure to follow these instructions can result in electrical shock, fire, or death.

**SERVICE PERSONNEL**—Some internal parts are intentionally not grounded and may present a risk of electric shock during servicing. Do not contact the following parts while the appliance is energized: electrical valve, drain pump, door lock, dry heater, fan motor. Install the clothes dryer according to the manufacturer's instructions and local codes.

### Electrical grounding is required for your washer.

- You must ground your washer. In the event of a malfunction or breakdown, grounding reduces the risk of electric shock by providing a path of least resistance for the electric current.
- A 120V, 60 Hz, AC-only, 15 or 20 amp, fused electrical supply is required. We recommend that you use a time-delay fuse or provide a circuit serving only your washer.
- Your washer is equipped with a power cord that has a 3-prong grounding plug. To minimize possible shock hazard, the cord must be plugged into a matched 3-prong, grounding type outlet, grounded in accordance with local codes and ordinances. If a 3-prong outlet is not available, contact a qualified electrician to install one. Do not use an adapter.
- If codes permit and you use a separate ground wire, we recommend that a qualified electrician determine that the ground path is adequate.
- Check with a qualified electrician if you are not sure your washer is correctly grounded.
- Do not have a fuse in the neutral or ground circuit.
- Certain internal parts are intentionally not grounded and may present a risk of electric shock only during servicing. When servicing, do not contact the following parts while the appliance is energized: electrical valve, drain pump and door lock.



## WARNING

- You're responsible for providing adequate electrical services for your washer.
- Never connect the ground wire to plastic plumbing lines, gas lines, or hot water pipes.

## Water requirements

To fill your washer in the correct amount of time, the water pressure needs to be between 0.05 MPa-1 MPa.

### If the water pressure is lower than 0.05 MPa:

- The water valve may fail or may not shut off completely.
- The time it takes to fill your washer may be longer than the time your washer controls allow. Your washer will turn off and report an error. A time-limit is built into the controls to prevent flooding in your home if a hose becomes loose.
- Water inlet hoses must be purchased separately. You can buy inlet hoses in various lengths up to 8 ft. (240 cm).

### To avoid the possibility of water damage:

- Make sure that the water faucets are easily accessible.
- Turn off the faucets when you are not using your washer.
- Periodically check to make sure that water is not leaking from the water hose fittings.

## Drainage requirements

The recommended height for the drain standpipe is 48 in. (122 cm).

The drain hose must be routed through the drain hose clip to the standpipe.

The standpipe must be large enough to accept the outside diameter of the drain hose.

# INSTALLATION INSTRUCTIONS

## Unpacking your washer

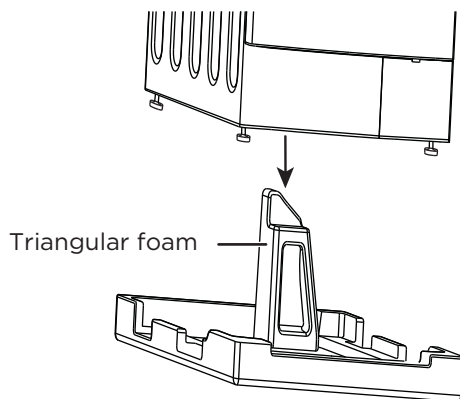
### WARNING

- Packing materials can be dangerous to children. Keep all packing materials (plastic bags, polystyrene, and so on) well out of the reach of children.
- Do not operate your washer on the foam base cushion. Doing so will result in serious vibration, which could cause equipment damage or physical injury.

### CAUTION

- Your washer is heavy. You may need help to unpack and move it.

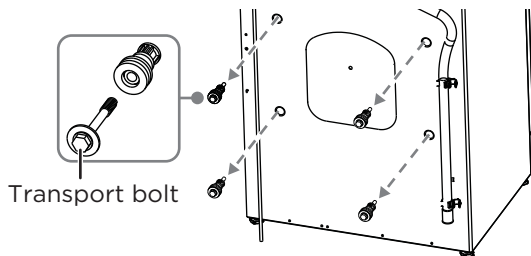
- 1 Remove your washer from the packaging.
- 2 Make sure that the small, triangular piece of foam comes off with the packaging base. If it doesn't, lay your washer on its side, remove the foam, then set your washer upright.



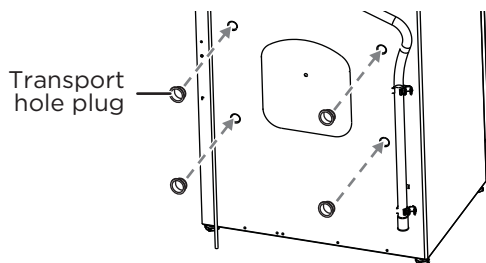
- 3 Remove the four transport bolts on the back of your washer.

### CAUTION

If you do not remove the four bolts, your washer will make loud noise and vibrate excessively or move. This can damage your washer.



- 4 Cover the holes with the transport hole plugs. Keep the four bolts for future use. You need them if you want to transport your washer to another location.



## Choosing a location

### WARNING

- Do not install your washer in areas where water may freeze, because your washer always retains some water in its water valve, pump and hose areas. Frozen water can damage the valve, pump, hoses and other components.
- Never install on a platform or weakly supported structure.

Selecting a correct location for your washer improves performance and minimizes noise and possible washer “walk.” Your washer can be installed under a custom counter or in a basement, laundry room, closet, or recessed area. See **Drainage requirements** on page 12. You should also consider a companion appliance (dryer) location requirements.

### For best performance, you need:

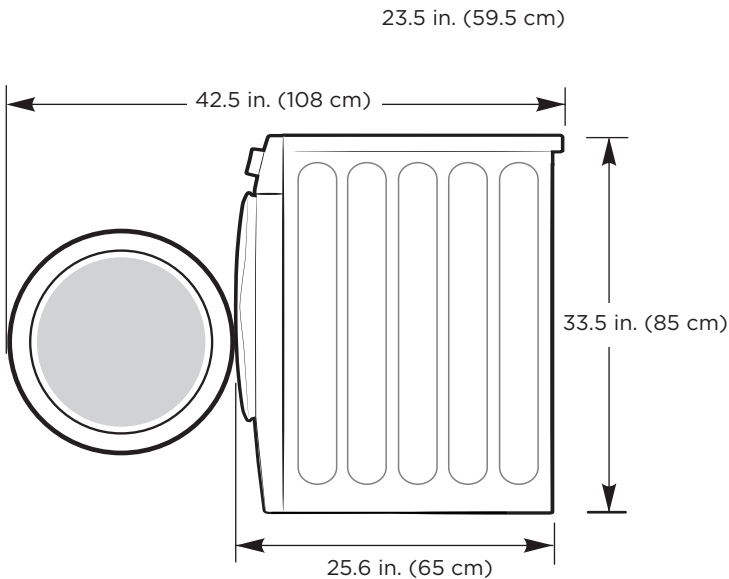
- A water heater set to deliver 120° F (49° C) water to the washer.

- A grounded electrical outlet located within 6 ft. (1.8 m) of where the power cord is attached to the back of the washer. See **Electrical requirements** on page 11.
- Hot and cold water faucets located within 4 ft. (1.2 m) of the hot and cold water fill valves, and water pressure of between 0.05MPa-1MPa.
- A level floor with a maximum slope of 1 in. (25 mm) under entire washer. Don't install your washer on soft floor surfaces, such as carpets or surfaces with foam backing.
- A sturdy and solid floor to support the washer with a total weight (water and load) of 200 lbs. (90 kg)

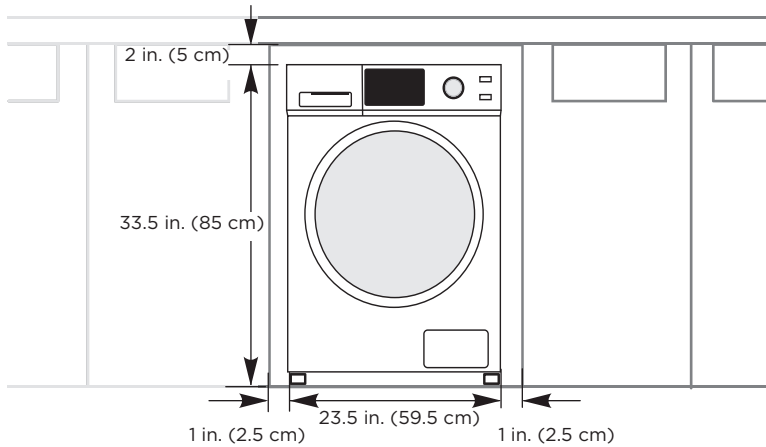
**Make sure that the location is:**

- Away from direct sunlight. Direct sunlight can raise the water temperature, which may cause safety risks.
- An area where the temperature is above 32° F (0° C).
- Away from the heat resources such as coal or gas. Heat sources can raise the water temperature, which may cause safety risks.

**Washer dimensions and installation measurements**

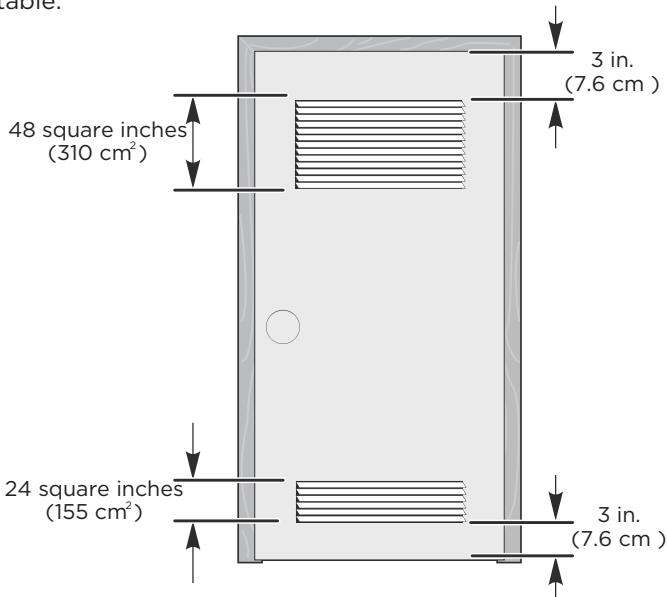


## Installing under a counter



## Installing in an alcove or closet

If you install your washer in an alcove or closet, the front of the closet must have two unobstructed air openings for a combined minimum total area of 72 sq. in. (465 square cm) with a minimum clearance of 3 in. (7.6 mm) at the top and bottom. A slatted door with equivalent space clearance is acceptable.

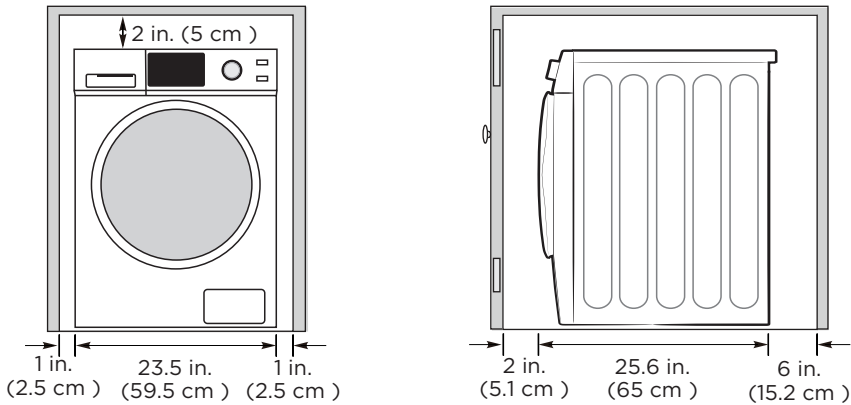




Minimum clearances between your washer and adjacent walls or other surfaces are:

- **Either side:** 1 in. (2.5 cm)
- **Rear:** 6 in. (15.2 cm)
- **Closet Front:** 2 in. (5.1 cm)
- **Top:** 2 in. (5.1 cm)

If you install your washer and dryer side-by-side in a closet, the closet front must have an unobstructed air opening of at least 72 square inches (465 square cm).



## WARNING

### Before you install your washer, make sure that the location:

- Is a hard, level surface without carpeting or soft flooring that can obstruct ventilation.
- Is away from direct sunlight.
- Has adequate ventilation.
- Is not exposed to freezing temperatures (below 32 °F or 0°C).
- Is away from heat sources such as oil or gas.
- Has enough space so that the washer does not rest on its power cord.

## Tools you will need



3/8" open-end wrench



Level



Adjustable wrench or 7/16" socket with ratchet



Pliers



Nut driver with ratchet



Adjustable wrench or 9/16" open-end wrench

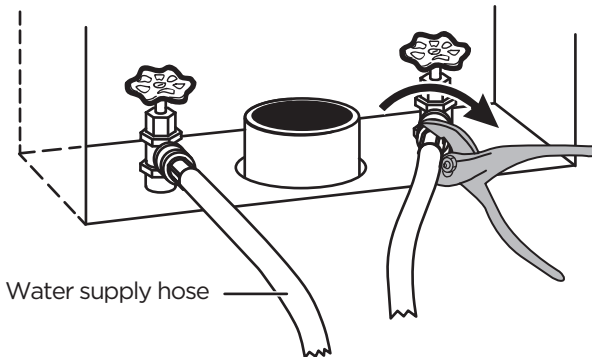
## Connect the water hoses



### Caution

- Use new water supply hoses. Using old hoses can result in leakage or overflow that can damage your property.
- Do not connect multiple water supply hoses together to increase the length of the hose. Hoses connected this way can leak and cause electrical shock. If a hose is too short, replace the hose with a longer, high-pressure hose.

1. Connect the water hoses to the hot and cold water faucets.
2. Tighten the hose and faucet fittings by hand until they are snug. Tighten them an additional two-thirds of a turn with pliers or a wrench. Pull the water supply hoses downwards to make sure that they are connected securely.



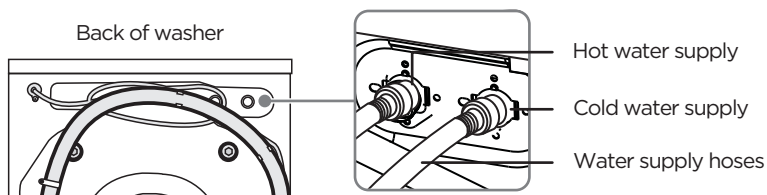
## Caution

Don't overtighten the fittings or apply tape or sealant to the faucets or water supply intakes. This can damage the fittings.

- Place the unconnected ends of the hoses into a bucket and turn on the faucets connected to the water supply hoses for 10 or 15 seconds to remove any foreign substances. Turn off the faucets.



- Connect the ends of the water supply hoses to the water supply intake connections at the top of the washer. The water supply hose connected to the hot faucet must be connected to the hot water supply intake and the water hose connected to the cold faucet must be connected to the cold water supply intake.



### NOTE:

- If you don't want to use the hot water faucet or you don't have a hot water faucet, you have to adjust the Temp. setting to cold, or your washer will have an Error code E10.
- If you only have cold water faucet, we recommend that you buy and install a T-branch pipe.

5. Tighten the fittings by hand until they are snug, then tighten them an additional two-thirds of a turn with pliers or a wrench.

**⚡ Caution**

- Don't overtighten the fittings or apply tape or sealant to the faucets or water supply intakes. This can damage the fittings.
- Make sure that the water supply hoses aren't twisted or bent. A bent or twisted hose can leak and cause an electric shock because of water leakage.

6. Turn on the hot and cold water supplies, then check all the water supply intake connections and the faucets for water leaks.

## Connect the drain hose

**⚡ Caution**

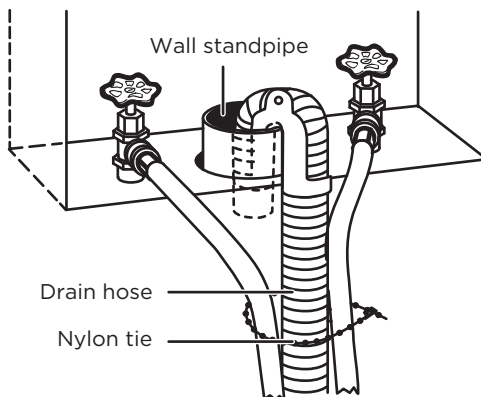
- Make sure that the connection between the drain hose and the wash basin, standpipe, or laundry tub is not airtight.

Connect the drain hose in one of the following ways.

### In a wall standpipe

**NOTE:** The wall standpipe drain requires a minimum diameter standpipe of 2" (5 cm).

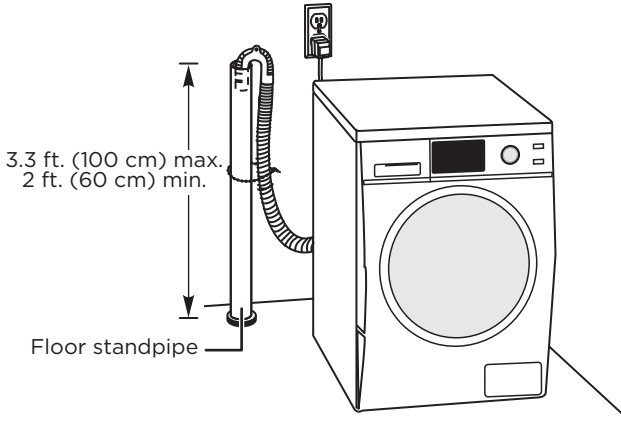
Place the drain hose into the wall standpipe. You can use a nylon ties (not included) to bundle the hoses and the drain pipe together.



## In a floor standpipe

**NOTE:** For a floor standpipe, the capacity must be at least 17 gal. (64 L) per minute. The top of the standpipe must be between 2 ft. (60 cm) and 3.3 ft. (100 cm) from the bottom of your washer.

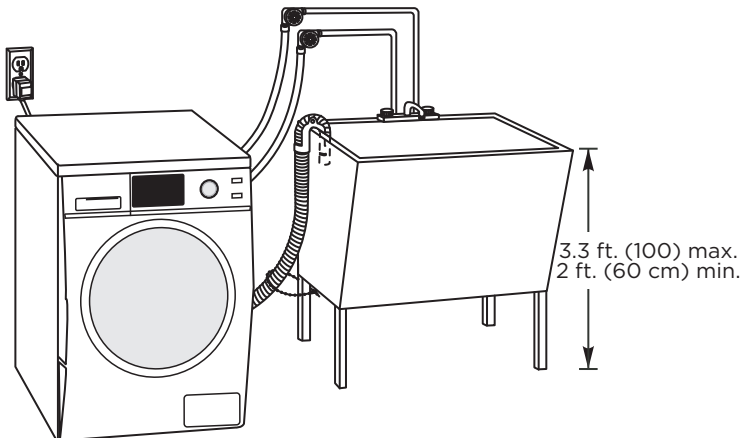
Place the drain hose into the standing floor standpipe. You can use nylon ties (not included) to attach the drain hose to the standpipe.



## In a laundry tub

**NOTE:**

- The laundry tub needs a minimum capacity of 20 gal. (76 L).
- The top of the laundry tub must be between 2 ft. (60 cm) and 3.3 ft. (100 cm) above the floor.

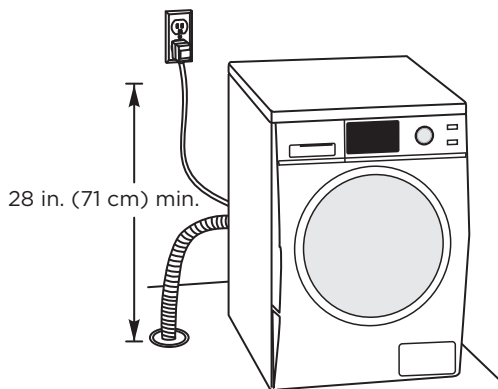


## In a floor drain system

### NOTE:

- A floor drain system requires a siphon break (not included). The siphon break must be a minimum of 28 in. (71 cm) from the bottom of the washer.
- If the drain hose on the washer is shorter than the siphon break distance, attach an extra drain hose (not included) to the washer's drain hose.

Place the drain hose into the floor drain system. The weight of the hose and gravity keep the drain hose in the drain.



## Level your washer



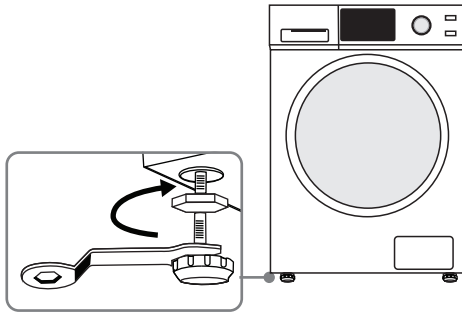
### Caution

Don't use your washer without leveling it. If your washer isn't level, it may:

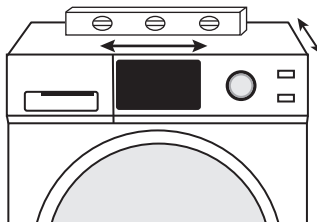
- Vibrate excessively which can cause your washer to malfunction
- Make excessive noise

Extend the leveling feet only as much as is necessary. If the feet are extended too much, your washer may vibrate.

1. Make sure that the legs are flush with the washer cabinet. If needed, use a wrench to loosen the lock nut on a leg, slide the leg up, then tighten the bolt.



2. Slide your washer into position.
3. Press the four top corners of your washer. If your washer moves when you press a corner, the leg for that corner needs to be adjusted.
4. Loosen the lock nut on the bottom of your washer, pull the leg down until it touches the floor, then tighten the nut. Extend the feet only as much as necessary. If the feet are extended too much, your washer may vibrate.
5. Press the four corners again to make sure that your washer is level. If your washer is still not level, repeat step 4.
6. Use a level to make sure that all four sides of your washer are level.



## Power on

Plug the power cord into a well-grounded, 3-prong, 120 Volt 60 Hz approved electrical outlet protected by a 12-amp fuse or comparable circuit breaker. Your washer is grounded through the third prong of the power cord.

## WARNING

- Make sure that the power voltage at your location is the same as the voltage on your washer's rating label.
- Do not use a multi-purpose plug or socket.
- Do not use an adapter.
- Do not use an extension cord.
- Do not touch or pull out the plug with a wet hand.
- When you unplug the power cord, hold the plug not the power cord.
- If power cord is damaged or has any sign of being broken, replace the cord.

## Run a test cycle

Run a test cycle to make sure that your washer is correctly installed.

- Leave the tub empty.
- Press the **Power** button to turn on your washer.
- Turn the cycle selector to select the **Rinse&Spin** cycle.
- Press the **Start/Pause** button to start the test cycle. Your washer shouldn't rock or vibrate excessively when water is filling the tub, or when washing or spinning. Your washer should drain well during the spin cycle.

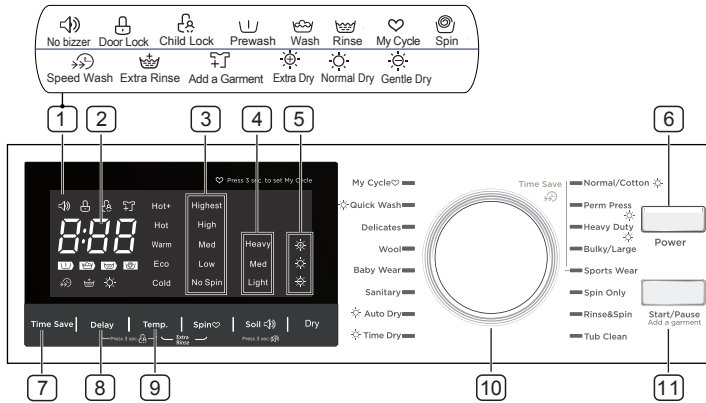
## CAUTION

- If you detect any water leaks while your washer is filling or draining, check the water connections. See **Connect the water hoses** on page 18 or **Connect the drain hose** on page 20.
- If your washer rocks or vibrates excessively, level it again. See **Level your washer** on page 22.



# OPERATION INSTRUCTIONS

## Control panel



### 1 Status indicators

These indicators appear when you select settings and options.

### 2 Digital display

The initial display is the total time for the cycle you select. While your washer is running, the display shows the cycle process and time remaining in the cycle.

**Note:** The time shown is an estimate based on normal operating conditions. External factors (such as the load size, incoming water temperature, and water pressure) can affect actual time.

If you set a delay time for the start of the cycle, the display shows the time when the cycle will start.

### 3 Spin speed

Press to select the spin speed. You can select **Highest**, **High**, **Med**, **Low**, or **No Spin**.

### 4 Soil type

Press to select the soil type.

### 5 Dry

Press the Dry button continuously to choose the dry level: Extra Dry / Normal Dry/Gentle Dry

- ☀ Extra Dry
- ☀ Normal Dry
- ☀ Gentle Dry

## 6 Power

Press to turn your washer on or off.

## 7 Time Save

Press to shorten the washing time. See Step 7: **(Optional) Decrease the wash time** on page 30.

## 8 Delay

Press to set a delayed start time. See Step 6: **(Optional) Set a delayed start time** on page 30.

## 9 Temp.

Press to select the water temperature. You can select **Hot+**, **Hot**, **Warm**, **Eco**, or **Cold**. For more information, see **Washer options and settings** on page 32.

## 10 Cycle selector

Turn to select a cycle. For more information, see **Washer options and settings** on page 32.

## 11 Start/Pause

Press to start or pause the cycle.

## Washing a load of laundry

- If this is the first time you are washing an item, make sure that it is color-fast. Use a white rag or towel with a little detergent to wash a hidden part of the item. If the rag or towel is stained, the item is not color-fast.
- If an item has stains, use a spot remover or gently apply a small amount of detergent to the stains, then gently scrub the stains with a brush.
- Check the manufacturer's label for special washing instructions.
- Make sure that you remove all items from pockets. Hard items, like coins, can damage your washer.
- Never wash clothes stained with chemicals such as gasoline, petroleum, benzene, paint thinner and alcohol.
- Consider using a pillow case you can close or a washing bag to protect items like bras, lacy items, and delicate items.
- Wash whites and colors separately.
- Turn items that can pill (like sweaters and sweatshirts) inside out.

### NOTE:

- Never leave wet items to be washed in your washer for long periods of time. Items may mold and cause stains.
- Make sure that you check the manufacturer's label for water temperature instructions.
- Don't wash items, like ties or items with decorations, that may stretch or distort.
- Don't wash waterproof items, like rain coats, ski suits, shower curtains, and mattress pads. These items don't absorb water and may cause excessive vibration.



### WARNING

To reduce the risk of fire, electric shock, or injury to persons, read the SAFETY INSTRUCTIONS before operating this appliance.

### 1. Select a detergent

Your washer is designed to use high efficiency (HE) detergents.

- For the best cleaning results, use an HE detergent. We recommend that you do not use a regular detergent. HE detergents contain suppressors that reduce or eliminate suds. When fewer suds are produced, the load tumbles more efficiently and cleaning is maximized.

- Reducing the amount of detergent may affect the quality of cleaning. Make sure that you:
  - Pre-treat stains.
  - Sort carefully by color and soil level.
  - Avoid overloading.

## 2. Turn on your washer

Press the **Power** button to turn on your washer. Your washer's initial settings are:

- Normal cycle
- Warm temperature
- Medium spin speed

## 3. Load your washer



### Caution

Before loading your laundry, make sure that you remove coins, keys, and other hard objects and close zippers. These items may damage clothes.

- Sort laundry by fabric type, soil level, color, and load size.
- Fill the tub with dry, unfolded clothes. Load the tub no more than 3/4 fill. For best performance, the maximum load size should be less than 12 lbs. (5.4 kg).

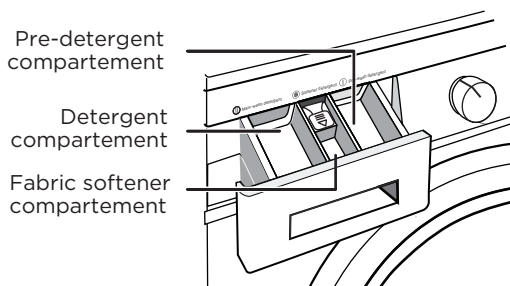
### NOTE:

- Overloading may reduce washing efficiency, cause excess wear, and possibly cause creasing or wrinkling of the load.
- Wash delicate items such as bras, hosiery and other lingerie on the **Delicates** cycle with similar lightweight items.
- Don't overfill your washer with too many big, bulky items. This could lead to unwanted vibration during the spin cycle. If this happens, remove some items and restart the washing cycle.
- Always use the **Bulky** cycle for bulky items.
- When washing heavily soiled loads, do not overload your washer to ensure good cleaning results.
- Your washer is not suitable for washing comforters. Your washer may not reach high spin speed and may result in a the wet load after spinning.
- Sometimes your washer can't reach a high spin speed because the load is out of balance. Rearrange the clothes, then try the **Spin Only** mode again.

## 4. Add detergent and additives to the compartments

### Caution

- Avoid splashing or over-filling the compartment.
- Never pour undiluted liquid chlorine bleach directly onto the load or into the tub. Doing so can damage fabrics by weakening of the fibers or stripping the color.
- You can pour less than 1.7 oz. (50 ml) of liquid bleach in the main detergent compartment before you press the **Start** button. If you want to use more bleach, we recommend that you pour the bleach in the main detergent compartment when water flows into detergent compartment after you start your washer.



- If you are using the Pre-Wash option, pour the recommended amount of laundry detergent directly into the pre-detergent compartment before starting your washer.
- Pour the recommended amount of laundry detergent directly into the detergent compartment before starting your washer.
- If you're using color-safe bleach or liquid chlorine bleach, add it with the detergent to the detergent compartment.

### NOTE:

- When adding color-safe bleach with detergent, both laundry products must be in the same form (liquid).
- If you are using powder detergent, add it to the bottom of the tub before you add the load.
- Pour the recommended amount of liquid fabric softener into the softener compartment. The dispenser automatically releases liquid fabric softener at the correct time during the rinse cycle.

## 5. Select the appropriate cycle and options for the load

Turn the cycle selector to select a washing cycle. For information on wash cycles, see **Washer options and settings** on page 32.

## 6. (Optional) Set a delayed start time

You can program a wash cycle, then set a time when you want a wash cycle to begin.

### NOTE:

Your washer stores your settings in memory. If the power fails, press the **Start/Pause** button when power is restored. Your washer continues the **Delay** function you set.

- Turn the cycle selector knob to the cycle type you want.
- Press the Delay button repeatedly to select the delay time you want.
- The delay start time, in hours, appears on the display, in sequence, from 0 to 24, then back to 0. When you reach the time setting you want, hold the Delay button for three seconds to confirm the setting. The Delay light turns on.
- Press and hold the Start/Pause button for three seconds to start the delay timer.
- To cancel the delay start time function before you save the setting, press the Delay button until OH appears on the display.

### NOTE:

- After the delay time is set, if you want to change the delay setting, press the Delay button again until the hour you want is reached. Release the button for three seconds.
- If you decide to cancel the delay setting, you can either turn the cycle selector or press the Delay button until 0 is reached.
- Ideally, you should set your cycle before setting the delay time because turning the cycle selector after you set the delay time cancels the delay function.
- You can change settings or cancel the delay start time function anytime before you press the Start/Pause button by turning the cycle selector.
- You can't change the delay start time after you press the Start/Pause button. If you pressed the Start/Pause button, you can cancel the delay start time function by pressing the Power button to turn off your washer, then pressing the button again to turn it back on.
- You can't change the Delay Start Time after the program has started.

## 7. (Optional) Decrease the wash time

Press the Time Save. The  light turns on and the wash time decreases.

### NOTE:

Time Save works for Normal/Cotton, Perm Press, Heavy Duty, Bulky/Large, and Sport Wear cycles.

## 8. Start your washer

- Press the **Start/Pause** button.

### NOTE:

- If you haven't set a delayed start time or if the delay time has expired, your washer starts the cycle and the **Wash** light turns on.
- As your washer moves from stage to stage in the wash cycle, the related light turns on (such as **Rinse** or **Spin**).
- If you set a delayed start time, the **Delay** light turns on and your washer starts counting down the start time.
- If you need to pause the cycle (for example to add or remove items), press and hold the **Start/Pause** button for **3** seconds. Wait for the drum to stop, then open the door. When you're ready to resume washing, close the door, then press the button again.



### Caution

Don't try to force the door open if:

- The drum is moving. You will damage your washer.
- The water level is above the edge of the inner tub. Water will spill on the floor.
- The water temperature is too hot. You may scald yourself.
- If you press and hold Start/Pause button for three seconds, the door won't open because the door can't match the above conditions. You should wait until the perfect time.

## Setting the child lock

Your washer has a child lock function to prevent children from playing with your washer. When you turn on the child lock, the only buttons that work are the **Power** button and the **Delay** and **Temp.** buttons you use to turn off the child lock.

- Press and hold both the **Delay** and **Temp.** buttons for three seconds. The child lock light turns on.
- To turn off the child lock, press and hold both the **Delay** and **Temp.** buttons for three seconds.

### NOTE:

- If your washer is not turned on, the child lock can still remain set. Press the **Power** button, turn on the child lock function, then press the **Power** button to turn off your washer. When you want to use your washer, you need to turn off the lock function.

# Washer options and settings

	Cycle	Temp.	Spin Speed	Soil level	Time Save	Delay	Extra Rinse	Default Time (h)
Safety Instructions	Normal/Cotton	Warm	Med	Med	●	●	●	1:04
	Perm Press	Warm	High	Med	●	●	●	4:27
Features	Heavy Duty	Hot	High	Heavy	●	●	●	1:40
	Bulky/Large	Eco	High	Med	●	●	●	1:23
	Sports Wear	Warm	Highest	Heavy	●	●	●	0:57
Operation Requirements	Spin Only	--	High	--	--	●	--	0:13
	Rinse & Spin	--	High	--	--	●	--	0:23
	Tub Clean	Hot+	--	--	--	●	--	1:28
Installation Instructions	Time Dry	--	Highest	--	--	●	--	1:29
	Auto Dry	--	Highest	--	--	●	--	4:19
Operation Instructions	Sanitary	Hot+	High	Heavy	--	●	●	2:18
	Baby Wear	Hot	High	Med	--	●	●	1:37
	Wool	Eco	Med	Med	--	●	●	1:01
	Delicates	Eco	Med	Med	--	●	●	0:58
Care and Cleaning	Quick Wash	Cold	High	Light	--	●	--	1:55

**Note:**

The parameters in this table are only for user's reference. The actual parameters maybe different with the parameters in above table.

Dry function can be chose for those programme with .



# CARE AND CLEANING



## WARNING

- Don't use solvents to clean your washer. They can damage the finish and create toxic gases that can harm you or explode.
- Don't sprinkle or spray water or other liquids directly on your washer.
- Don't use detergents containing PCMX to clean your washer. PCMX can damage the finish.

**SERVICE PERSONNEL**—Some internal parts are intentionally not grounded and may present a risk of electric shock during servicing. Do not contact the following parts while the appliance is energized: electrical valve, drain pump, door lock, dry heater, fan motor.



## Caution

Before performing any maintenance, turn off your washer, unplug the power cord, and turn off the water faucets.

## CLEANING AND MAINTENANCE

### Cleaning the exterior

Use a soft cloth to wipe up all detergent, bleach, or other spills as they occur.

### Cleaning the interior

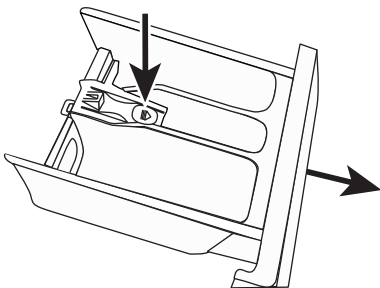
- Clean the interior of your washer periodically to remove any dirt, soil, odor, mold, mildew, or bacterial residue that may remain in your washer as a result of washing clothes.
- Failure to follow these instructions may result in unpleasant conditions, including odors or permanent stains in your washer or on your laundry.
- To remove hard water deposits, use a cleaner labeled "Washer safe".

### Cleaning the control panel

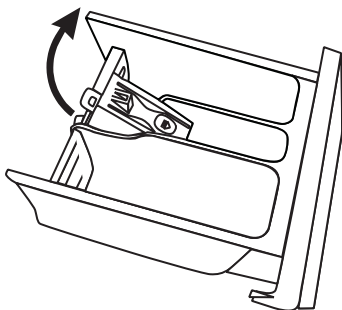
- Clean with a soft, damp cloth. Do not use abrasive powders or cleaning pads.
- Do not spray cleaners directly on the panel. The control panel finish may be damaged by some laundry pre-treatment soil and stain remover products. Apply such products away from your washer and wipe up any spills or over-spray immediately.

## Cleaning the detergent and softener compartments

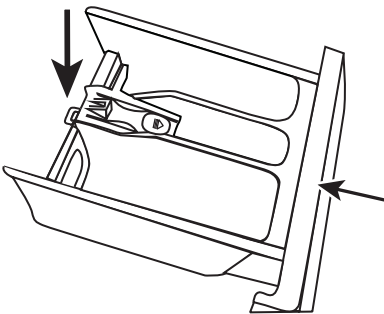
- Open the drawer, then press down the arrow located on softener cover inside the drawer.



- Lift the clip up and pull out the drawer.



- Wash the compartments and grooves with water, then dry with a cloth.
- Restore the softener cover and push the drawer into position.

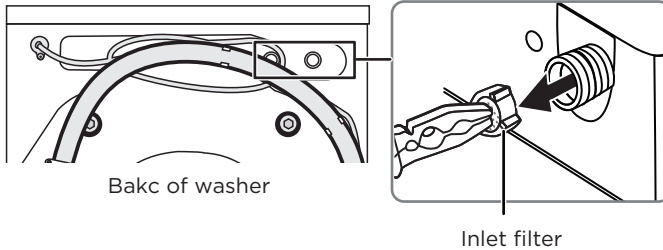


## Cleaning the inlet filters

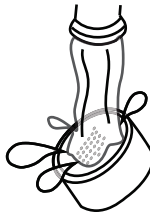
If water flows too slowly or not at all, you need to clean the inlet filter.

### Machine filter

- Turn off the water faucets.
- Unscrew the inlet pipe on the back of your washer from the tap.
- Pull out the filter with long nose pliers.



- Use water to wash the filter.



- Reinstall the filter, then reconnect the inlet pipe.
- Turn on the water faucets and make sure there is no water leakage.

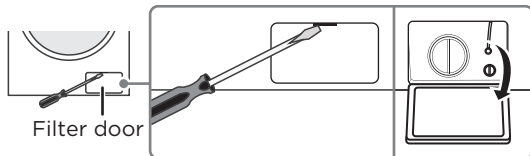
## Cleaning the drain filter

### Caution

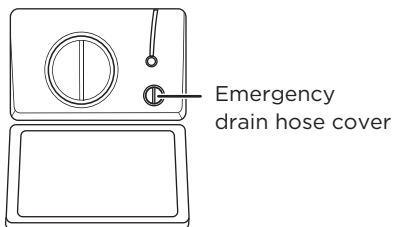
Clean the filters frequently. Blocked filters may:

- Keep your washer from draining water
- Keep your washer from spinning
- Cause loud or unusual noises from object caught in the filters

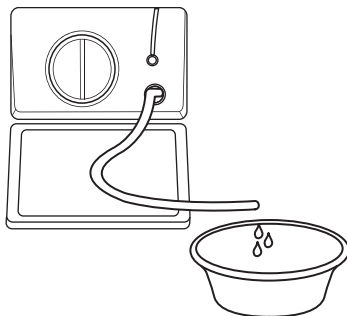
- Use a flat blade screwdriver to open the filter door located on the bottom right of the front of your washer.



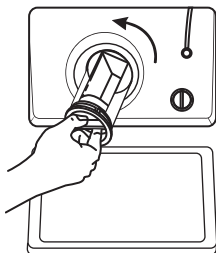
- Rotate the cap 90° clockwise, then pull the emergency drain hose out and remove the hose cap.



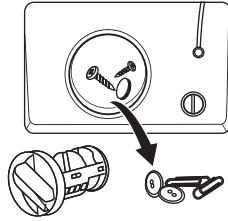
- Drain water into a bowl or bucket.



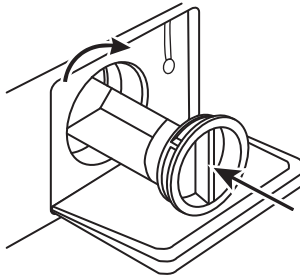
- Reset the drain hose.
- Rotate the filter counter-clockwise, then pull it out of your washer.



- Remove lint and other objects from the filter.



- Slide the filter back in and rotate it counter-clockwise to lock it in place.



## Cleaning the drain filter

The **Tub Clean** cycle is a self-cleaning cycle that removes the causes of odors that may occur inside your washer without using a cleaning agent. We suggest cleaning the tub about once a month.

### Caution

Never use the **Tub Clean** cycle when laundry is in your washer. This may damage the laundry or your washer.

- With the tub empty, add one cup of chlorine bleach to the bleach dispenser.
- Press the **Power** button.
- Turn the cycle selector to **Tub Clean**. When you select **Tub Clean**, the only option you can change is the **Delay** option.
- Press the **Start/Pause** button.

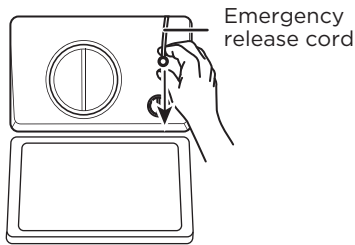
## Using the emergency door release

If the power fails or other circumstances prevent you from opening the door, you can use the emergency cord to open the door.

## WARNING

You can't use the emergency cord when your washer is running. If you must open the door, turn your washer off and wait for the water to cool before you use the emergency cord.

- Open the filter door located on the bottom right of the front of your washer.
- Gently pull the emergency cord down.



**NOTE:** Don't pull hard on the cord. You might break it. Pull gently.

- Open the your washer's door.
- Restore the cord to its original position, then close the filter door.

### Unfreezing your washer

If the ambient temperature drops to freezing (32° F /0°C), any water in the pipes or water hoses may freeze.

- Unplug the power cord.
- Wash the water faucets with warm water to loosen the inlet hose.
- Remove the water hoses and immerse them in warm water.
- Pour warm water into the washing drum and wait for 10 minutes.
- Reconnect the water hoses to the water faucets and make sure that there are no leaks.
- Run your washer on the **Drain Only** cycle to remove any water you added.

### Storing your washer

You can damage your washer if you don't remove water from hoses and internal components before storage.

To prepare your washer for storage:

- Select the Quick Wash cycle and add bleach to your washer. Run your washer through the cycle without a load.
- Turn the water faucets off and disconnect the inlet hoses.
- Unplug your washer from the electrical outlet and leave your washer's door open to let air circulate inside the tub.

# BEFORE YOU CALL FOR SERVICE...

## Troubleshooting Tips

Save time and money! Review the charts on the following pages first and you may not need to call for service.

Problems	Solutions
<b>Washer does not start</b>	<ul style="list-style-type: none"> <li>• Make sure that your washer is plugged in.</li> <li>• Make sure that the door is closed.</li> <li>• Make sure that the water source faucets are open.</li> <li>• Make sure that you press the <b>Power</b> button to start your washer.</li> <li>• Make sure that you press the <b>Start/Pause</b> button.</li> <li>• Make sure that the <b>Child Lock</b> isn't turned on. See <b>Setting the child lock</b> on page 31.</li> <li>• Make sure that the Delay option isn't turned on. See <b>(Optional) Set a delayed start time</b> on page 30.</li> <li>• Check the fuse or reset the circuit breaker.</li> </ul>
<b>Door is locked or does not open</b>	<ul style="list-style-type: none"> <li>• You can't open the door if your washer is running. Press the <b>Start/Pause</b> button for three seconds. When the washer drum has stopped, open the door and add clothing. Close the door, then press the <b>Start/Pause</b> button again to restart the load. <b>Note:</b> Don't use the pause function when the water surface is over the edge of the inner tub or when the temperature is too hot.</li> <li>• If the door is locked when your washer isn't running, unplug the power cord, then plug it back in.</li> </ul>
<b>The water isn't hot.</b>	<ul style="list-style-type: none"> <li>• Contact a qualified plumber to check the hot water pipe. <b>Note:</b> You can still wash clothes in cold water only.</li> </ul>
<b>Water leaks</b>	<ul style="list-style-type: none"> <li>• Make sure that all hose connections are tight. See <b>Connect the water hoses</b> on page 18 and <b>Connect the drain hose</b> on page 20.</li> <li>• • Make sure that the end of the drain hose is correctly inserted and secured to the drainage system. See <b>Connect the drain hose</b> on page 20.</li> <li>• Make sure that the drain hose is not clogged.</li> <li>• Avoid overloading.</li> <li>• Use a high-efficiency detergent to reduce over-sudsing. See <b>Select a detergent</b> on page 27.</li> </ul>

Problems	Solutions
<b>Water overflows from the bottom of washer.</b>	<ul style="list-style-type: none"> <li>• Make sure that the inlet hose is connected firmly.</li> <li>• Make sure that the leak is not coming from the drain hose. Replace the hose if needed.</li> </ul>
<b>No water or not enough water OR detergent / softener is still in its compartment after the wash cycle is completed</b>	<ul style="list-style-type: none"> <li>• Make sure that both faucets are fully turned on.</li> <li>• Make sure that the water pressure is in the range listed in <b>Water requirements</b> on page 12.</li> <li>• Make sure that the water inlet hoses aren't kinked. Straighten if necessary.</li> </ul>
<b>Washer vibrates or is too noisy</b>	<ul style="list-style-type: none"> <li>• Make sure that your washer is set on a level surface. If the surface isn't level, adjust your washer's feet to level your washer. See <b>Level your washer</b> on page 22.</li> <li>• Make sure that your washer isn't touching any other object.</li> <li>• Make sure that you remove the transport bolts.</li> </ul>
<b>Washer stops</b>	<ul style="list-style-type: none"> <li>• Make sure that the power outlet is a working outlet.</li> <li>• Close the door, then press the <b>Start/Pause</b> button to start your washer. For your safety, your washer doesn't spin unless the door is closed.</li> <li>• Sometimes your washer may pause between stages in the cycle. Wait to see if your washer starts again.</li> <li>• Check the fuse or reset the circuit breaker.</li> </ul>
<b>Washer doesn't drain or spin</b>	<ul style="list-style-type: none"> <li>• Close the door, then press the Start/Pause button to start your washer. For your safety, your washer doesn't spin unless the door is closed.</li> <li>• Make sure that the drain hose isn't kinked. Straighten as necessary.</li> <li>• Make sure that the height of the drain hose is within specified limits. See <b>Drainage requirements</b> on page 21.</li> <li>• Check the fuse or reset the circuit breaker.</li> <li>• The pipes to your sewer system may be clogged. Contact a plumber or qualified repair professional.</li> </ul>
<b>There is soap residue in the drawer</b>	<ul style="list-style-type: none"> <li>• Clean the drawer.</li> <li>• Use a liquid detergent.</li> </ul>



Problems	Solutions
<b>The display panel does not light</b>	<ul style="list-style-type: none"> <li>• Make sure that the power cord is connected to a working outlet.</li> <li>• Contact a qualified repair professional to check the display panel wiring.</li> </ul>
<b>Items are still dirty after washing</b>	<ul style="list-style-type: none"> <li>• Make sure that you do not overload your washer.</li> <li>• Make sure that you use the correct amount of detergent.</li> <li>• If items are extremely dirty, try washing them a second time.</li> </ul>
<b>Load is too wet at the end of the cycle</b>	<ul style="list-style-type: none"> <li>• Use a high-efficiency detergent to reduce over-sudsing. See <b>Select a detergent</b> on page 27.</li> <li>• The load may be too small. Very small loads (one or two items) may become unbalanced and not spin out completely.</li> </ul>
<b>Load has too many suds</b>	<ul style="list-style-type: none"> <li>• Use a high-efficiency detergent to reduce over-sudsing. See <b>Select a detergent</b> on page 27.</li> <li>• If you have “soft” water, reduce the amount of detergent.</li> <li>• For small or lightly soiled loads, reduce the amount of detergent.</li> </ul>

## ERROR CODES

Code	Reason	Solutions
<b>E30</b>	<b>Door open</b>	<ul style="list-style-type: none"> <li>• Open, then close the door.</li> <li>• Make sure that no items are caught between the door and your washer.</li> </ul>
<b>E10</b>	<b>Water injecting problem while washing</b>	<ul style="list-style-type: none"> <li>• Make sure that the water pressure is not too low.</li> <li>• Straighten the water hose, if necessary.</li> <li>• Make sure that the inlet valve filter isn't blocked.</li> </ul>
<b>E21</b>	<b>Washer doesn't drain</b>	<ul style="list-style-type: none"> <li>• Make sure that the drain hose is not blocked.</li> </ul>
<b>E12</b>	<b>Water overflow</b>	<ul style="list-style-type: none"> <li>• Restart you washer.</li> </ul>
<b>EXX</b>	<b>Other</b>	<ul style="list-style-type: none"> <li>• Try restarting your washer. If the error remains or a different error code is displayed, contact qualified service personnel.</li> </ul>

# MIDEA LAUNDRY WASHER LIMITED WARRANTY

## ATTACH YOUR RECEIPT HERE. PROOF OF PURCHASE IS REQUIRED TO OBTAIN WARRANTY SERVICE.

Please have the following information available when you call the Customer Service Centre:

- Name, address and telephone number
- Model number and serial number
- A clear, detailed description of the problem
- Proof of purchase including dealer or retailer name and address, and date of purchase

## IF YOU NEED SERVICE:

1. Before contacting us to arrange service, please determine whether your product requires repair. Some questions can be addressed without service. Please take a few minutes to review the Troubleshooting section of the User Manual, or email [customerserviceusa@midea.com](mailto:customerserviceusa@midea.com)
2. All warranty service is provided exclusively by our authorized Midea Service Providers, in the U.S. and Canada.

### Midea Customer Service

**In the U.S.A. or Canada, call 1-866-646-4332 or email [customerserviceusa@midea.com](mailto:customerserviceusa@midea.com).**

If outside the 50 States of the United States or Canada, contact your authorized Midea dealer to determine whether another warranty applies.

## LIMITED WARRANTY

### WHAT IS COVERED

#### FIRST YEAR LIMITED WARRANTY (PARTS AND LABOUR)

For one year from the date of purchase, if this major appliance is installed, operated and maintained according to instructions attached to or furnished with the product, Midea America (Canada) Corp. (hereafter "Midea") will pay for factory specified replacement parts and repair labour to correct defects in materials or workmanship that existed when this major appliance was purchased, or at its sole discretion replace the product. In the event of product replacement, your appliance will be warranted for the remaining term of the original unit's warranty period.

#### LIFETIME LIMITED WARRANTY (STAINLESS STEEL TUB)

For the lifetime of the product from the date of original purchase, when this major appliance is installed, operated and maintained according to instructions attached to or furnished with the product, Midea will pay for factory specified parts and repair labour for the following components to correct non-cosmetic defects in materials or workmanship that existed when this major appliance was purchased:

- Stainless steel tub

**YOUR SOLE AND EXCLUSIVE REMEDY UNDER THIS LIMITED WARRANTY SHALL BE PRODUCT REPAIR OR REPLACEMENT AS PROVIDED HEREIN.** Service must be provided by a Midea designated service company. This limited warranty is valid only in the 50 States of the United States or Canada and applies only when the major appliance is used in the country in which it was purchased. This limited warranty is effective from the date of original consumer purchase. Proof of original purchase date is required to obtain service under this limited warranty.

## LIMITED WARRANTY

### WHAT IS NOT COVERED

1. Commercial, non-residential or multiple-family use, or use inconsistent with published user, operator or installation instructions.
2. In-home Instruction on how to use your product.
3. Service to correct improper product maintenance or installation, installation not in accordance with electrical or plumbing codes or correction of household electrical or plumbing (i.e. house wiring, fuses, plumbing or water inlet hoses).
4. Consumable parts (i.e. light bulbs, batteries, air or water filters, etc.).
5. Defects or damage caused by the use of non-genuine Midea parts or accessories.
6. Damage from accident, misuse, abuse, fire, floods, electrical issues, acts of God or use with products not approved by Midea.
7. Repairs to parts or systems to correct product damage or defects caused by unauthorized service, alteration or modification of the appliance.
8. Cosmetic damage including scratches, dents, chips, and other damage to appliance finishes unless such damage results from defects in materials and workmanship and is reported to Midea within 30 days.
9. Routine maintenance of the product.
10. Products that were purchased "as is" or as refurbished products.
11. Products that have been transferred from its original owner.
12. Discoloration, rust or oxidation of surfaces resulting from caustic or corrosive environments including but not limited to high salt concentrations, high moisture or humidity or exposure to chemicals.
13. Pick-up or delivery. This product is intended for in-home repair.
14. Travel or transportation expenses for service in remote locations where an authorized Midea servicer is not available.
15. Removal or reinstallation of inaccessible appliances or built-in fixtures (i.e. trim, decorative panels, flooring, cabinetry, islands, countertops, drywall, etc.) that interfere with servicing, removal or replacement of the product.
16. Service or parts for appliances with original model/serial numbers removed, altered or not easily identified.

**The cost of repair or replacement under these excluded circumstances shall be borne by the customer.**

---

### DISCLAIMER OF IMPLIED WARRANTIES

IMPLIED WARRANTIES, INCLUDING ANY IMPLIED WARRANTY OF MERCHANTABILITY OR IMPLIED WARRANTY OF FITNESS FOR A PARTICULAR PURPOSE, ARE LIMITED TO ONE YEAR OR THE SHORTEST PERIOD ALLOWED BY LAW. Some states and provinces do not allow limitations on the duration of implied warranties of merchantability or fitness, so this limitation may not apply to you. This warranty gives you specific legal rights, and you also may have other rights that vary from state to state or province to province.

---

### DISCLAIMER OF REPRESENTATIONS OUTSIDE OF WARRANTY

Midea makes no representations about the quality, durability, or need for service or repair of this major appliance other than the representations contained in this warranty. If you want a longer or more comprehensive warranty than the limited warranty that comes with this major appliance, you should ask Midea or your retailer about buying an extended warranty.

---

### LIMITATION OF REMEDIES; EXCLUSION OF INCIDENTAL AND CONSEQUENTIAL DAMAGES

YOUR SOLE AND EXCLUSIVE REMEDY UNDER THIS LIMITED WARRANTY SHALL BE PRODUCT REPAIR AS PROVIDED HEREIN. MIDEA SHALL NOT BE LIABLE FOR INCIDENTAL OR CONSEQUENTIAL DAMAGES. Some states and provinces do not allow the exclusion or limitation of incidental or consequential damages, so these limitations and exclusions may not apply to you. This warranty gives you specific legal rights, and you also may have other rights that vary from state to state or province to province.

---



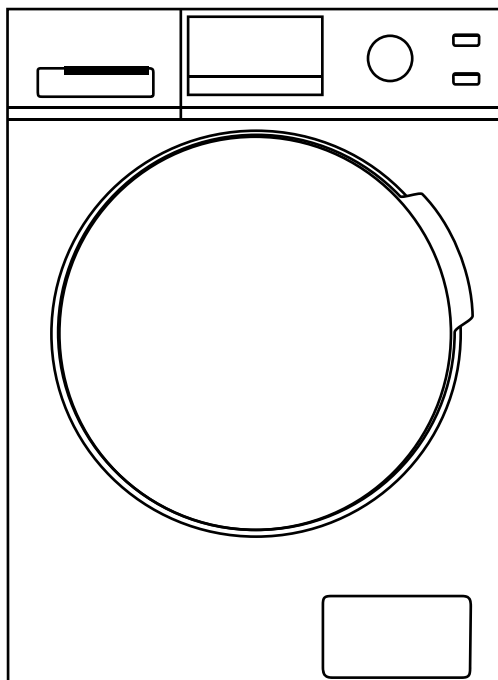
## Laveuse-sécheuse tout-en-un

Alimentation en électricité :  
120V~  
Fréquence : 60 Hz

**Avertissement :**  
Avant d'utiliser ce produit,  
veuillez lire le présent guide avec  
soin et le conserver aux fins de  
consultation ultérieure. Le  
concept et les spécifications  
peuvent changer sans préavis à  
titre d'amélioration de produit.  
Consultez votre concessionnaire  
ou fabricant pour obtenir des  
précisions.

version A

## Manuel du propriétaire & Instructions d'installation



**Extension gratuite  
de 3 mois** de la période  
de garantie limitée initiale!\*  
Envoyez simplement une  
photo de votre preuve d'achat  
par message texte au :

**1-844-224-1614**

\*L'extension de garantie porte sur les trois mois  
suivant immédiatement  
la fin de la période de garantie initiale du produit.  
Les particuliers n'ont pas besoin d'enregistrer le  
produit pour obtenir tous les droits et recours des  
propriétaires enregistrés en vertu de la garantie  
limitée d'origine.

**NUMÉROS DE MODÈLE  
MLC31N5AWW**

[www.midea.com/ca](http://www.midea.com/ca)

# Aux utilisateurs

**MERCI** et **FÉLICITATIONS** de votre achat de ce produit Midea de première qualité. Votre laveuse-sécheuse tout-en-un Midea est conçue pour des performances fiables et sans problèmes. Veuillez prendre quelques instants pour enregistrer votre nouveau laveuse-sécheuse tout-en-un.

Enregistrez votre nouveau laveuse-sécheuse tout-en-un sur **[www.midea.com/ca/support/Product-registration](http://www.midea.com/ca/support/Product-registration)**

En vue d'une consultation ultérieure, consignez les numéros de modèle et de série de votre produit qui se trouvent sur le cadre intérieur de la machine.

Numéro de modèle \_\_\_\_\_

Numéro de série \_\_\_\_\_

<b>INSTRUCTIONS DE SÉCURITÉ .....</b>	<b>4</b>
<b>CARACTÉRISTIQUES .....</b>	<b>9</b>
Contenu du colis .....	9
Principaux composants .....	10
<b>EXIGENCES OPÉRATIONNELLES .....</b>	<b>11</b>
Exigences électriques .....	11
Exigences en matière d'eau .....	12
Exigences en matière de drainage .....	12
<b>INSTRUCTIONS D'INSTALLATION .....</b>	<b>13</b>
Déballage de votre laveuse .....	13
Choisir un emplacement .....	14
Outils dont vous aurez besoin .....	18
Raccorder les boyaux d'eau .....	18
Brancher le tuyau de vidange .....	20
Mettez votre laveuse au niveau .....	22
Mise sous tension .....	23
Exécuter un cycle d'essai .....	24
<b>DIRECTIVES D'UTILISATION .....</b>	<b>25</b>
Panneau de commande .....	25
Lavage d'une brassée de lessive.....	27
Réglage du verrouillage parental .....	31
Options et réglages de la laveuse .....	32

<b>ENTRETIEN ET NETTOYAGE .....</b>	<b>33</b>
Nettoyage et entretien .....	33
<b>AVANT DE FAIRE APPEL AU SERVICE .....</b>	<b>39</b>
Codes d'erreur .....	41
<b>GARANTIE .....</b>	<b>42</b>

## LIRE ET CONSERVER CES INSTRUCTIONS POUR CONSULTATION ULTÉRIEURE

Ce manuel contient des renseignements importants sur l'installation, l'utilisation et la prise en charge de votre appareil. Veuillez lire ce manuel attentivement avant l'installation et le fonctionnement de cette machine pour éviter les blessures et les dommages matériels.

Les avertissements et les consignes de sécurité importantes dans ce manuel NE COUVRENT PAS toutes les conditions et situations possibles qui peuvent survenir. Il vous incombe d'utiliser un bon sens, une attention et des soins lorsque vous installez, maintenez et utilisez votre sècheuse.



**MISE EN GARDE  
RISQUE DE CHOC ÉLECTRIQUE  
NE PAS OUVRIR**



# INSTRUCTIONS DE SÉCURITÉ

## VOTRE SÉCURITÉ ET LA SÉCURITÉ DES AUTRES SONT TRÈS IMPORTANTES

Pour éviter toute blessure à l'utilisateur ou à d'autres personnes et dommages matériels, les instructions présentées ici doivent être suivies. Une mauvaise utilisation en raison d'une omission des instructions peut causer des dommages ou des dommages, y compris la mort.

Le niveau de risque est indiqué par les indications suivantes.



AVERTISSEMENT

**Cela indique que les dangers ou les pratiques dangereuses peuvent causer des blessures graves ou la mort. Pour réduire le risque d'incendie, d'explosion, de choc électrique ou de blessure personnelle lors de l'utilisation de votre laveuse, vous DEVEZ suivre ces consignes de sécurité de base.**



MISE EN GARDE

**Cela indique que les dangers ou les pratiques dangereuses peuvent causer des blessures corporelles mineures ou des dommages matériels.**



AVERTISSEMENT

**Ce symbole indique qu'il existe des instructions d'utilisation et d'entretien importantes dans l'odyature accompagnant votre laveuse.**



### AVERTISSEMENT

Ne pas entreposer ou utiliser de l'essence ou d'autres vapeurs et liquides inflammables dans les environs de ce ou de tout autre appareil.



### AVERTISSEMENT

#### Précautions d'utilisation de base

Afin de réduire les risques d'incendie, d'électrocution ou de blessures lors de l'utilisation de l'appareil, des précautions élémentaires doivent être prises :

- Il est impératif de lire toutes les instructions avant d'utiliser cet appareil électroménager.
- Ne pas laver des articles qui ont été antérieurement nettoyés, lavés, trempés ou tachés avec de l'essence, des solvants de nettoyage à sec ou d'autres matières inflammables ou explosives, car elles émettent de la vapeur susceptible de s'enflammer ou d'exploser.
- Ne pas ajouter de l'essence, de solvants de nettoyage à sec ou toute autre substance inflammable ou explosive à l'eau de la lessive. De telles substances émettent des vapeurs qui peuvent s'enflammer ou exploser.
- Ne jamais arrêter une sècheuse avant la fin du cycle, et attendre que la chaleur soit dissipée.
- Utiliser seulement des conducteurs en cuivre.
- Pour réduire les risques de choc électrique ou d'incendie, ne pas utiliser un cordon d'alimentation souple avec cet appareil.

- Toujours débrancher la laveuse de l'alimentation avant tout entretien. Déconnecter le câble d'alimentation en tirant sur la fiche, pas le câble.
- Afin de réduire les risques d'incendie, les vêtements, chiffons de nettoyage, têtes de balai à franges et autres articles similaires contenant des traces de substances inflammables, telles que de l'huile végétale, de l'huile de cuisine, des huiles ou distillats à base de pétrole, des cires, des graisses, etc. ne doivent pas être mis dans la laveuse. Ces articles peuvent contenir des substances inflammables qui, même après avoir été lavées, peuvent fumer ou prendre feu.
- Ne jamais placer dans la laveuse des objets qui ont été humidifiés avec de l'essence ou toute autre substance combustible ou explosive. Ne pas laver ou sécher tout ce qui a été trempé ou taché par un type d'huile (y compris les huiles de cuisson). Cela peut provoquer un incendie ou une explosion, voire la mort.
- Ne pas autoriser les enfants à jouer sur ou à l'intérieur de cet appareil. Lorsque l'appareil est utilisé à proximité des enfants, ces derniers doivent être surveillés avec attention.
- La porte en verre ou de protection peut être très chaude pendant le fonctionnement. Conserver les enfants et les animaux domestiques à l'écart de la machine pendant son fonctionnement.
- Cet appareil n'est pas conçu pour être utilisé par des personnes (y compris des enfants) à capacités physiques, sensorielles ou intellectuelles réduites ou sans expérience et connaissances, à moins qu'elles ne soient sous surveillance ou qu'elles aient été informées quant à l'utilisation de l'appareil, par une personne responsable de leur sécurité.
- Ne pas laver en machine les matériaux en fibre de verre (tels que les rideaux et les couvre-fenêtres qui utilisent des matériaux en fibre de verre). De petites particules peuvent rester dans la laveuse et se coller aux tissus lors des lavages suivants, provoquant une irritation de la peau.
- Avant la mise hors service de cet appareil ou de sa mise au rebut, retirer la porte et couper le câble d'alimentation.
- Ne pas accéder à l'intérieur de l'appareil si la cuve ou l'agitateur est toujours en mouvement.
- Ne jamais installer ni entreposer cet appareil dans un endroit exposé aux intempéries.
- Ne pas modifier les commandes de l'appareil.
- Ne pas réparer ou remplacer un quelconque élément de l'appareil ou tenter de le réparer si ce n'est pas spécifiquement recommandé dans les instructions d'entretien par l'utilisateur ou dans un manuel publié sur les réparations qui peuvent être effectuées par un utilisateur, si celui-ci est en mesure de les effectuer.
- Vérifier que toutes les poches sont vides. Les objets tranchants et rigides tels que les pièces de monnaie, les broches, les clous, les vis ou les pierres, etc. peuvent causer de graves dommages à cet appareil.
- Retirer la fiche et couper l'alimentation en eau après l'opération.
- S'assurer que l'eau à l'intérieur de la cuve a été vidée avant d'ouvrir la porte. Ne pas ouvrir la porte si de l'eau est encore visible.
- L'utilisateur ne doit pas tenter de réparer la machine lui-même. La machine peut être endommagée ou des réparations plus difficiles



peuvent être nécessaires et même une opération dangereuse peut avoir lieu si elle est réparée par un personnel inexpérimenté ou non qualifié.

- Si la prise du câble d'alimentation a été endommagée, elle doit être remplacée par le fabricant, son service d'assistance technique ou du personnel qualifié afin d'éviter tout danger.
- Veiller à ce que la tension et la fréquence du courant soient identiques à celles de la laveuse.
- Ne pas utiliser de prise d'alimentation dont le courant nominal est inférieur à celui de la laveuse. Ne pas tirer la prise du câble d'alimentation avec des mains humides.
- Pour assurer plus de sécurité, la fiche du câble d'alimentation doit être insérée dans une prise tripolaire mise à la terre. Vérifier soigneusement et s'assurer que la prise de courant est correctement mise à la terre en toute sécurité.
- Cette laveuse ne doit être réparée et entretenue que par des techniciens qualifiés.
- Si elle est connectée à un circuit protégé par des fusibles, utiliser des fusibles à retardement avec cet appareil.
- Pour réduire les risques de choc électrique, déconnecter cet appareil avant de procéder à tout entretien autre que le nettoyage du filtre à charpie. Placer les commandes à la position ARRÊT ne coupe pas l'alimentation.
- Certaines pièces internes ne sont pas mises à la terre intentionnellement et peuvent présenter un risque de choc électrique pendant l'entretien seulement. Personnel d'entretien: Ne pas toucher les pièces suivantes lorsque l'appareil est sous tension: valeur électrique, pompe de vidange, serrure de porte, moteur de ventilateur (combo).



## AVERTISSEMENT

### Mise à la terre

- Cet appareil doit être mis à la terre. En cas de mauvais fonctionnement ou de défaillance, la mise à la terre réduit le risque de choc électrique en fournissant un circuit de faible résistance au courant électrique. Cet électroménager est muni d'un câble électrique comportant un fil et une prise de mise à la terre. La prise doit être branchée sur une prise secteur appropriée, correctement installée et mise à la terre conformément aux dispositions et aux réglementations en vigueur.
- Une connexion incorrecte du connecteur de mise à la terre de l'équipement peut être source de choc électrique. Se connecte à un circuit de dérivation individuel. Demander conseil à un électricien ou un réparateur agréé en cas de doutes quant à la mise à la terre correcte de la machine.
- NE PAS modifier la fiche fournie avec l'appareil si elle ne s'adapte pas à la prise secteur. Si elle ne rentre pas dans la prise secteur, contacter un électricien qualifié pour installer une prise adéquate.

- Risque de choc électrique, appareil mis à la terre au conducteur neutre par un lien. La mise à la terre par le conducteur neutre est interdite dans le cas 1) de nouvelles dérivations, 2) de maisons mobiles, et 3) de véhicules de camping, et 4) là où les codes locaux interdisent la mise à la terre par le conducteur neutre.

Si la mise à la terre par le conducteur neutre est interdite

1) débrancher le lien avec le neutre, 2) utiliser la borne de mise à la terre ou le conducteur de raccordement pour mettre l'appareil à la terre et 3) raccorder la borne neutre ou le conducteur de raccordement au neutre de la dérivation de la façon habituelle (si l'appareil doit être branché au moyen d'un cordon amovible, utiliser un conducteur quadrifilaire).

Si la mise à la terre par le conducteur neutre est interdite, remplacer le conducteur ou le câble trifilaire par un conducteur ou câble quadrifilaire. Voir les instructions du fabricant.



## AVERTISSEMENT

Pour prévenir les risques d'incendie, ne pas utiliser de chaleur pour le séchage des articles contenant du caoutchouc mousse ou d'autres matériaux similaires texturés caoutchouteux.



## AVERTISSEMENT

### Avant toute utilisation de la machine

- Les matériaux d'emballage peuvent être dangereux pour les enfants. Conserver tous les matériaux d'emballage (sacs en plastique, mousses, etc.) hors de la portée des enfants.
- La laveuse ne doit pas être installée dans une salle de bain ou dans des pièces très humides ainsi que dans des pièces où se trouvent des gaz explosifs ou caustiques.
- S'assurer que l'eau et les appareils électriques sont raccordés par un technicien qualifié conformément aux instructions du fabricant et aux règles de sécurité locales.
- Avant de faire fonctionner cette machine, tous les emballages et boulons de transport doivent être retirés. Dans le cas contraire, la laveuse peut être sérieusement endommagée pendant le lavage du linge.
- Avant le premier lavage, la laveuse doit fonctionner selon les procédures de coton et d'eau chaude sans les vêtements à l'intérieur.
- Pour utilisation intérieure uniquement.

## AVERTISSEMENT

### **Une attention particulière doit être utilisée pour la protection de la machine**

- Ne pas monter ni s'asseoir sur le dessus de l'appareil.
- Ne pas s'appuyer contre la porte de la machine.
- Ne pas fermer la porte avec des forces excessives. S'il s'avère difficile de fermer la porte, vérifier si les vêtements en trop sont bien rangés ou distribués.

## AVERTISSEMENT

### **Précautions à prendre lors de la manipulation de l'appareil**

- Les boulons de transport doivent être réinstallés sur la machine par une personne spécialisée.
- L'eau accumulée doit être évacuée de la machine.
- Manipuler la machine avec précaution. Ne jamais tenir les parties saillantes sur la machine pendant le lavage.
- La porte de la machine ne peut pas être utilisée comme poignée pendant le transport.

## AVERTISSEMENT

### **Précautions lors du lavage des vêtements**

- L'eau froide de la ville doit être utilisée et l'eau chaude peut également être raccordée selon les règles locales.
- Cette laveuse est uniquement destinée à un usage domestique et n'est conçue que pour les textiles qui se prêtent au lavage en machine.
- Les solvants inflammables et explosifs ou toxiques sont interdits. L'essence et l'alcool, etc. ne doivent pas être utilisés comme détergents. Ne sélectionner que les détergents adaptés au lavage en machine, en particulier pour le chargement frontal.
- Ne pas laver les tapis dans cette machine.
- Ne jamais remplir l'eau à la main pendant le lavage.
- Toujours observer les instructions d'entretien du fabricant de vêtements.
- Ne pas utiliser la laveuse si son câble d'alimentation ou sa prise ont été endommagés. Contacter un réparateur agréé.
- Ne pas faire fonctionner la laveuse si les protections, panneaux ou fixations, à l'exception des boulons de fixation pour le transport, ont été enlevés. Vérifier régulièrement les raccords des tuyaux de remplissage pour s'assurer qu'ils sont bien serrés et qu'ils ne fuient pas.
- Ne pas faire fonctionner la laveuse si des pièces sont manquantes ou cassées.
- Ne pas toucher la porte en cas de lavage à haute température.

### **REMARQUES :**

- Les CONSIGNES DE SÉCURITÉ IMPORTANTES décrites dans ce manuel ne sont pas exhaustives. Il faut faire preuve de bon sens, de prudence et d'attention lors de l'installation, de l'entretien ou du fonctionnement de la laveuse.
- Toujours contacter le concessionnaire, le distributeur, l'agent de service ou le fabricant pour tout problème ou condition qui n'est pas comprise.



## AVERTISSEMENT

### Conditions requises pour l'installation

- Cet appareil doit être mis à la terre correctement. En cas de court-circuit, la mise à la terre peut réduire le risque de choc électrique. Cet appareil est équipé d'un câble d'alimentation, qui comprend une fiche, un fil de terre à la borne de mise à la terre.
- La laveuse doit fonctionner dans un circuit séparé des autres appareils électriques. Sinon, le protecteur d'alimentation peut être déclenché ou le fusible peut être grillé.

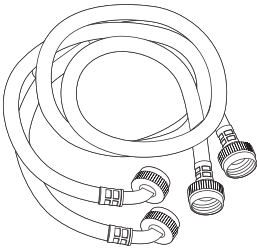
### REMARQUES : Protection écologique

- Pour se débarrasser de cette machine, se conformer à la réglementation locale en matière d'élimination des déchets. Couper le câble d'alimentation de façon à ce que l'appareil ne puisse pas être réutilisé.
- Retirer la porte pour que les enfants et les animaux ne soient pas coincés dans la machine.
- Ne pas utiliser de grosses quantités de détergents.

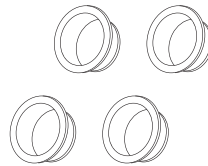
## CARACTÉRISTIQUES

### Contenu du colis

Assurez-vous que les articles suivants sont livrés avec votre laveuse:



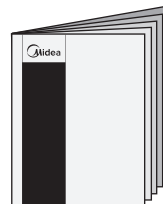
Tuyau d'eau (x2)



Caches des orifices  
pour le transport (x4)



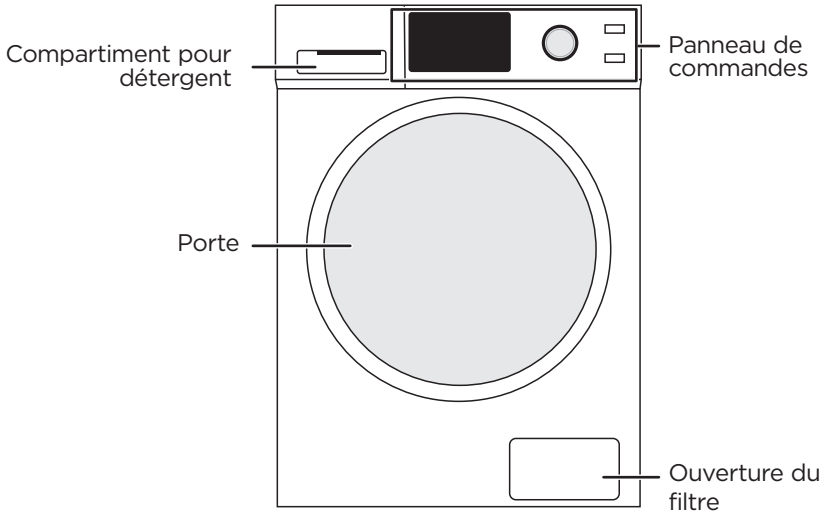
Support de  
tuyau (1)



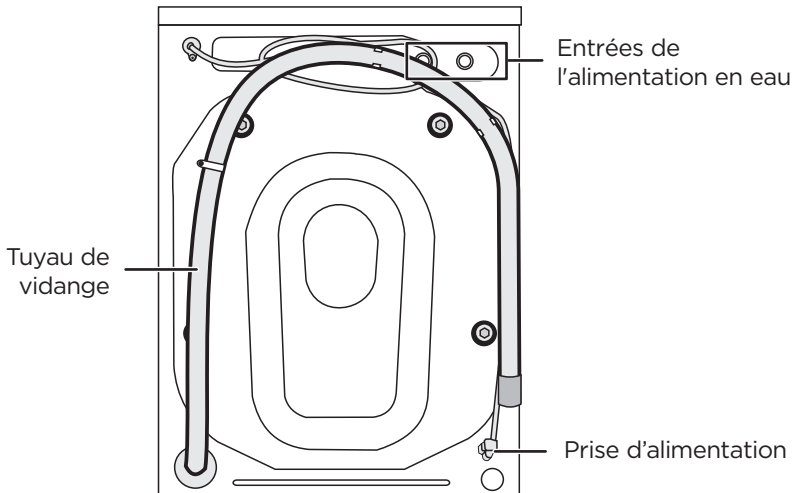
Guide de l'utilisateur

# Composants principaux

## Panneau avant



## Panneau arrière



Instructions de sécurité
Caractéristiques
Fonctionnement Exigences
Instructions d'installation
Directives d'utilisation
Entretien et nettoyage
Dépannage

# EXIGENCES OPÉRATIONNELLES

## Exigences électriques

### AVERTISSEMENT

Pour réduire le risque d'incendie, de choc électrique ou de blessure aux personnes, lire les CONSIGNES DE SÉCURITÉ IMPORTANTES avant d'utiliser cet appareil.

### AVERTISSEMENT

- Connecter à une prise secteur à 3 plots avec un circuit individuel de 12 A protégé par un disjoncteur de 12 A.
- Se connecte à un circuit de dérivation individuel.
- Ne pas retirer le plot de mise à la terre.
- Ne pas utiliser d'adaptateur.

L'inobservation de ces instructions peut être source de choc électrique, d'incendie ou de blessures mortelles.

### **Une mise à la terre du circuit électrique est requise pour cette laveuse.**

- Il est important de mettre à la terre la laveuse. En cas de mauvais fonctionnement ou de défaillance, la mise à la terre réduit le risque de choc électrique en fournissant un circuit de faible résistance au courant électrique.
- Une alimentation électrique de 120 V, 60 Hz, c.a. uniquement, de 15 à 20 A avec fusible est requise. Il est recommandé d'utiliser un fusible à fusion temporisée ou de fournir un circuit réservé uniquement à la laveuse.
- La laveuse est équipé d'un câble d'alimentation doté d'une prise de terre à 3 plots. Pour minimiser les risques d'électrocution, le câble doit être branché sur une prise à trois plots, mise à la terre conformément aux codes et ordonnances locaux. Si une prise secteur à 3 plots n'est pas disponible, contacter un électricien qualifié pour en installer une. Ne pas utiliser d'adaptateur.
- Si les codes le permettent et en cas d'utilisation d'un câble mis à la terre séparé, il est recommandé qu'un électricien qualifié détermine que le chemin de terre est adéquat.
- Vérifier avec un technicien qualifié en cas de doute sur la mise à la terre correcte de la laveuse.
- Absence de fusible sur le circuit neutre ou mis à la terre.
- Certaines pièces internes ne sont pas mises à la terre volontairement et peuvent présenter un risque de choc électrique pendant l'entretien. Au cours de l'entretien ne pas entrer en contact avec les pièces ci-après pendant que l'appareil est alimenté : vanne électrique, pompe de vidange ou fermeture de porte.



## AVERTISSEMENT

- L'utilisateur a la responsabilité de fournir des facilités électriques adéquates pour sa laveuse.
- Ne jamais connecter le fil de masse aux conduites d'eau en plastique ou à des tuyaux d'eau chaude.

## Besoins en eau

Pour remplir correctement la laveuse dans des délais appropriés, une pression d'eau de 0,05 MPa à 1 MPa est requise.

### Si la pression d'eau est inférieure à 0,05 MPa :

- Le robinet d'eau peut être défaillant ou ne pas se fermer complètement.
- Le temps de remplissage de la laveuse peut être plus long que les commandes de la laveuse ne le permettent. La laveuse s'éteindra et affichera une erreur. Un délai maximal est intégré aux commandes pour éviter l'inondation du domicile si un tuyau se desserre.
- Les tuyaux d'admission d'eau doivent être achetés séparément. Les tuyaux d'admission d'eau peuvent être achetés de différentes longueur jusqu'à 240 cm (8 pi).

### Comment éviter le problème de dégât des eaux :

- Vérifier que les robinets d'eau sont facilement accessibles.
- Fermer les robinets quand la laveuse n'est pas utilisée.
- Vérifier régulièrement l'absence de fuite au niveau des joints du tuyau d'eau.

## Exigences en matière de vidange

La hauteur recommandée pour le tuyau d'évacuation est de 122 cm (48 po).

Le tuyau de vidange doit être acheminé à travers le collier prévu à cet effet jusqu'au tuyau d'évacuation.

Le tuyau de vidange doit être suffisamment large pour accommoder le diamètre extérieur du tuyau de vidange.

# INSTRUCTIONS D'INSTALLATION

## Déballage de votre laveuse

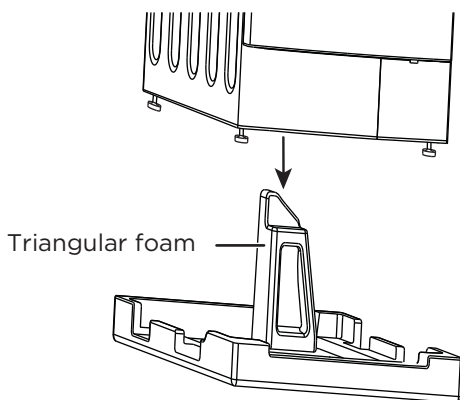
### AVERTISSEMENT

- Les matériaux d'emballage peuvent être dangereux pour les enfants. Conserver tous les matériaux d'emballage (sacs en plastique, polystyrène, etc.) hors de la portée des enfants. Se référer aux réglementations locales pour la mise au rebut.
- Ne pas utiliser cette laveuse sur une base en mousse. Cela pourrait être source de vibrations et endommager l'appareil ou provoquer des blessures.

### ATTENTION

- La laveuse est lourde. De l'aide peut être nécessaire pour la déballer ou la déplacer.

- 1 Retirer la laveuse de l'emballage.
- 2 Vérifier que le petit morceau de mousse triangulaire se détache avec le fond de l'emballage. Si ce n'est pas le cas, étendre la laveuse sur le côté, retirer la mousse, puis remettre la laveuse à la verticale.

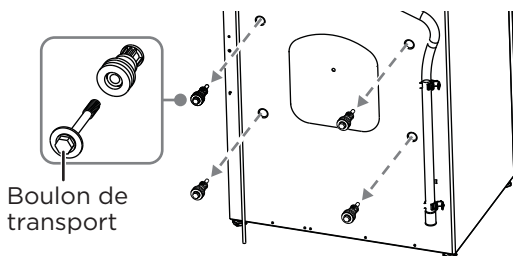


- 3 Retirer les quatre boulons de transport à l'arrière de la laveuse.

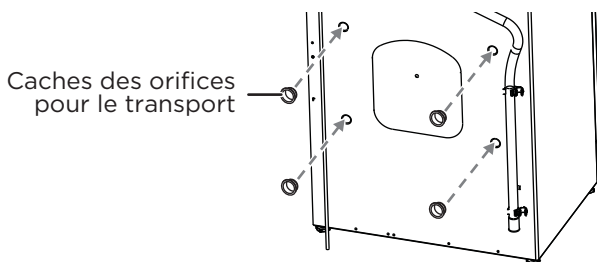
### ATTENTION

Si les quatre boulons ne sont pas retirés, la laveuse fera beaucoup de bruit et vibrera excessivement ou se déplacera. Cela pourrait endommager la laveuse.





- Recouvrir les orifices avec les caches des orifices pour le transport. Conserver les quatre boulons pour utilisation ultérieure. Ils sont nécessaires pour transporter la laveuse vers un autre endroit.



## Choisir un emplacement

### AVERTISSEMENT

- Ne pas installer la laveuse dans des emplacements où l'eau peut geler, car la laveuse retient toujours une petite quantité d'eau dans le robinet de prise d'eau, la pompe et la tuyauterie. L'eau gelée peut endommager les courroies, la pompe, les tuyaux et autres composants.
- Ne jamais l'installer sur une plateforme ou une structure à faible support.

Le choix du bon emplacement pour la laveuse améliore les performances et minimise le bruit et le « déplacement » éventuel de la laveuse. La laveuse peut être installée sous un comptoir aménagé ou dans un sous-sol, une buanderie, un placard ou une zone encastrée. Voir Exigences en matière de vidange à la page 12. Il faut également tenir compte des exigences relatives à l'emplacement d'un appareil associé (sècheuse).

### Pour des performances optimales, sont nécessaires :

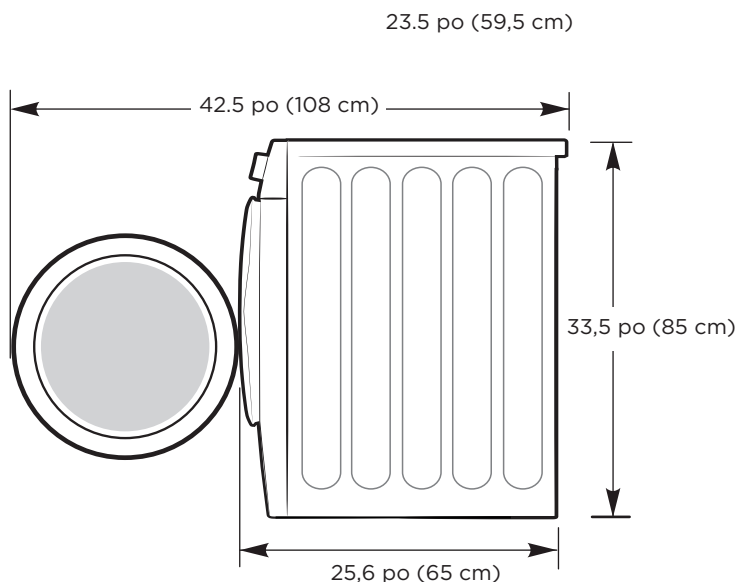
- un chauffe-eau pour fournir de l'eau à 49 °C (120 °F) à la laveuse.

- une prise électrique avec mise à la terre, située à environ 1,8 m (6 pi) de l'endroit où le câble d'alimentation est fixé au dos de la laveuse. Voir **Exigences électriques** à la page 11.
- Des robinets d'eau chaude et froide situés à moins de 1,2 m (4 pi) des vannes de remplissage d'eau chaude et froide, et une pression d'eau comprise entre 0,05 MPa à 1 MPa.
- Un sol plat avec une dénivellation maximale de 25 mm (1 po) sous la laveuse. Ne pas installer la laveuse sur des sols à surface souple, tels que des tapis ou des surfaces avec un support en mousse.
- Un plancher robuste et solide pour supporter la laveuse avec un poids total (eau et charge) de 90 kg (200 lb).

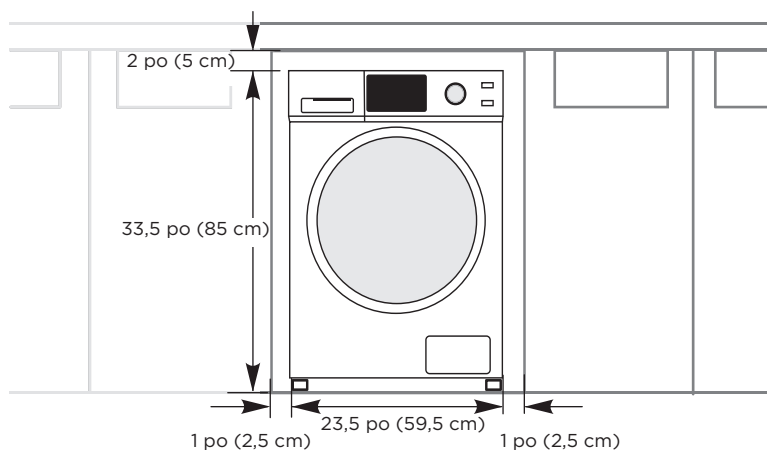
#### Vérifier que l'emplacement est :

- À l'écart de la lumière solaire directe. La lumière directe du soleil peut augmenter la température de l'eau, ce qui peut entraîner des risques pour la sécurité.
- Un emplacement où la température est supérieure à 0 °C (32 °F).
- À l'écart de sources de chaleur telles que du charbon ou du gaz. Les sources de chaleur peuvent augmenter la température de l'eau, ce qui peut entraîner des risques pour la sécurité.

#### Dimensions et mesures clés pour l'installation de la laveuse

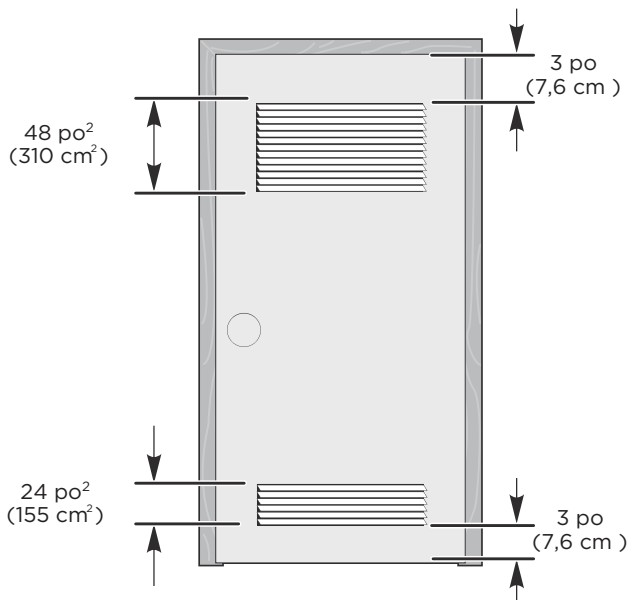


## Installation sous un comptoir



## Installation dans un compartiment ou une armoire

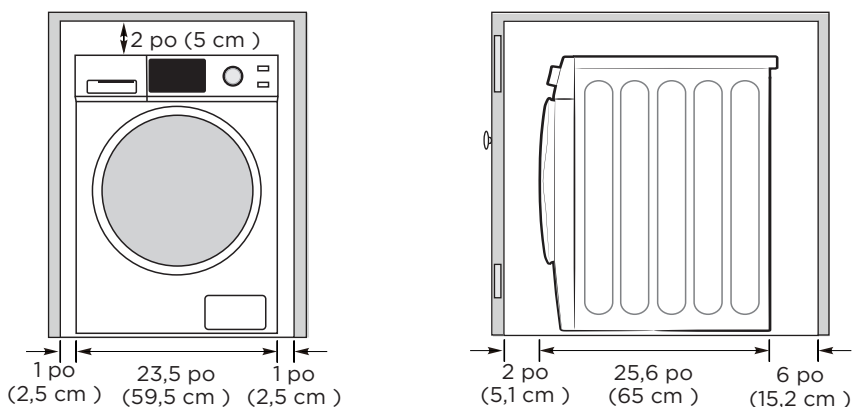
Si la laveuse est installée dans un compartiment ou une armoire, le devant de l'armoire doit disposer de deux ouvertures de ventilation non obstruées, soit une zone combinée minimale de  $465 \text{ cm}^2$  ( $72 \text{ po}^2$ ) avec un espace minimum de 7,6 mm (3 po) pour la partie supérieure et inférieure. Une porte à lattes avec un espace libre équivalent est acceptable.



L'espace libre minimum entre la laveuse et les murs adjacents ou d'autres surfaces sont :

- **De chaque côté** : 1 po (2,5 cm)
- **À l'arrière** : 6 po (15,2 cm)
- **Devant de l'armoire** : 2 po (5,1 cm)
- **Dessus** : 2 po (5,1 cm)

Si la laveuse et le séchoir sont installés côte à côte dans une armoire, le devant de l'armoire doit disposer d'une ouverture de ventilation non obstruée d'environ 72 po<sup>2</sup> (465 cm<sup>2</sup>).

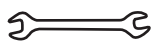


## AVERTISSEMENT

### Avant d'installer la laveuse s'assurer que l'emplacement :

- Est sur une surface dure et plane sans moquette ni revêtement de sol souple, ce qui pourrait obstruer la ventilation.
- Est à l'écart de la lumière solaire directe
- A une ventilation adéquate.
- N'est pas exposée à des températures glaciales (en dessous de 0 °C ou 32 °F).
- Est à l'écart de sources de chaleur telles que de l'essence ou du gaz.
- Dispose de suffisamment d'espace afin que la laveuse ne repose pas sur son câble d'alimentation.

# Installation de votre laveuse



Clé à douille de 9,5 mm  
(3/8 po)



Niveau



Clé à cliquet du type à bague de  
11,1 mm (7/16 po)



Pince



Tournevis à douille  
avec cliquet



Clé à molette ou clé à douille  
de 13 mm (9/16 po)

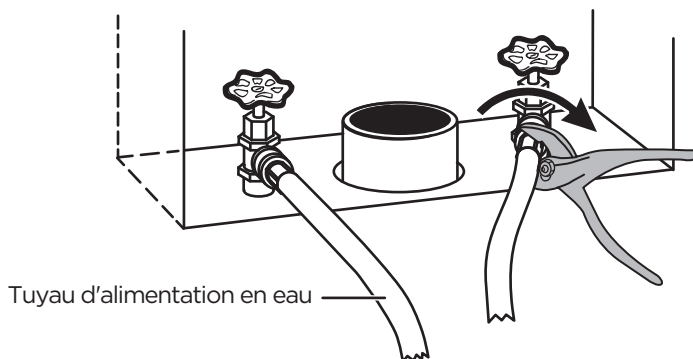
## Connecter les tuyaux d'eau



### ATTENTION

- Utiliser des tuyaux d'alimentation en eau neufs. L'utilisation de vieux tuyaux peut être source de fuites ou de débordement ce qui peut endommager la propriété.
- Ne pas connecter plusieurs tuyaux d'alimentation en eau ensemble pour augmenter la longueur du tuyau. Des tuyaux connectés de cette façon peuvent fuir et être source de choc électrique. Si le tuyau est trop court, le remplacer par un plus long à haute pression.

1. Connecter le tuyau d'alimentation en eau aux robinets d'eau chaude et d'eau froide.
2. Serrer le tuyau et les raccords au robinet à la main jusqu'à ce qu'ils soient serrés à fond. Puis les serrer de deux tiers de tours supplémentaires avec des pinces ou une clé hexagonale. Tirer les tuyaux d'eau vers le bas pour vérifier qu'ils sont correctement connectés.



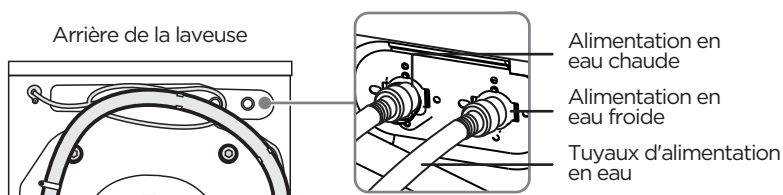
## ATTENTION

Ne pas trop serrer les raccords ou mettre une bande adhésive ou du mastic sur les robinets ou les prises d'alimentation en eau. Cela pourrait endommager les raccords.

- Placer les extrémités non connectées des tuyaux dans un seau et ouvrir les robinets connectés aux tuyaux d'eau pendant 10 à 15 secondes pour éliminer les dépôts éventuels. Fermer les robinets.



- Connecter les extrémités des tuyaux d'eau aux connexions de la prise d'eau au dos de la laveuse. Le tuyau d'alimentation en eau connecté au robinet d'eau chaude doit être connecté à l'admission d'eau chaude et le tuyau d'eau connecté au tuyau d'eau froide doit être connecté à l'admission d'eau froide.



### REMARQUES :

- Si le robinet d'eau chaude n'est pas utilisé ou il n'en existe pas, il faut régler le paramètre Temp. sur froid, sinon la laveuse aura un code d'erreur E10.
- S'il n'existe qu'un robinet d'eau froide, il est recommandé d'acheter et d'installer un tuyau en T.

- Serrer les raccords à fond à la main, puis les serrer de deux tiers de tours supplémentaires avec une clé.

### ATTENTION

- Ne pas trop serrer les raccords ou mettre une bande adhésive ou du mastic sur les robinets ou les prises d'alimentation en eau. Cela pourrait endommager les raccords.
- Vérifier que les tuyaux d'alimentation en eau ne sont pas tordus ni courbés. Un tuyau tordu ou courbé peut fuir et causer un choc électrique en raison d'une fuite d'eau.

- Ouvrir les robinets d'eau froide et d'eau chaude et vérifier l'absence de fuites d'eau au niveau de toutes les connections et des robinets.

## Brancher le tuyau de vidange

### ATTENTION

- Vérifier que la connexion entre les tuyaux de vidange et le bassin de lessive, le tuyau d'écoulement ou la cuve pour le linge n'est pas hermétique.

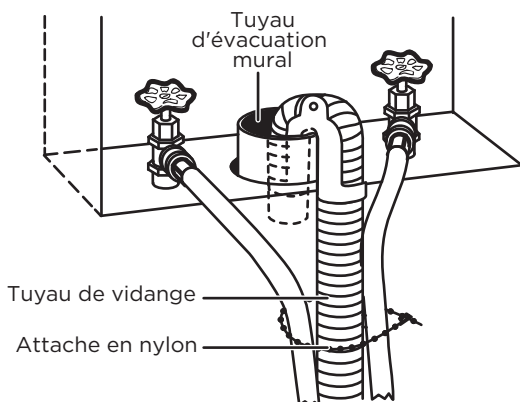
Connecter le tuyau de vidange selon l'une des possibilités ci-après.

#### Dans un tuyau d'évacuation mural

### REMARQUES

Le tuyau d'évacuation mural exige un diamètre minimum de 2 po (5 cm).

Insérer le tuyau de vidange dans le tuyau d'évacuation mural. Il est possible d'utiliser une attache en nylon (non incluse) pour relier ensemble les tuyaux et le tuyau de vidange.

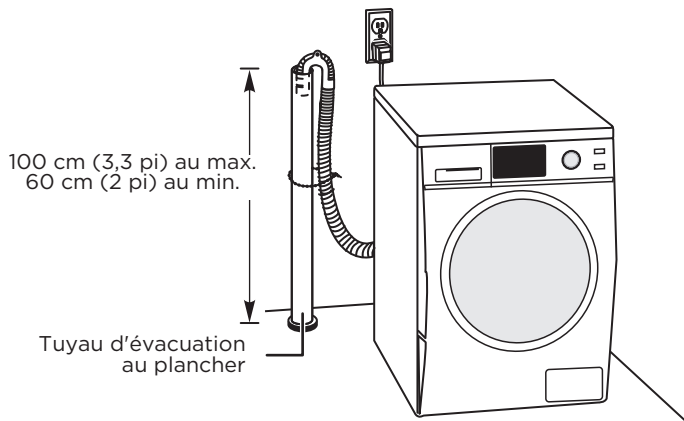


## Avec un tuyau d'évacuation au plancher

### REMARQUES :

Pour un tuyau d'évacuation au plancher, la capacité doit être d'au moins 64 l (17 gal) par minute. La partie supérieure du tuyau d'évacuation doit être entre 60 cm (2 pi) et 100 cm (3,3 pi) du fond de la laveuse.

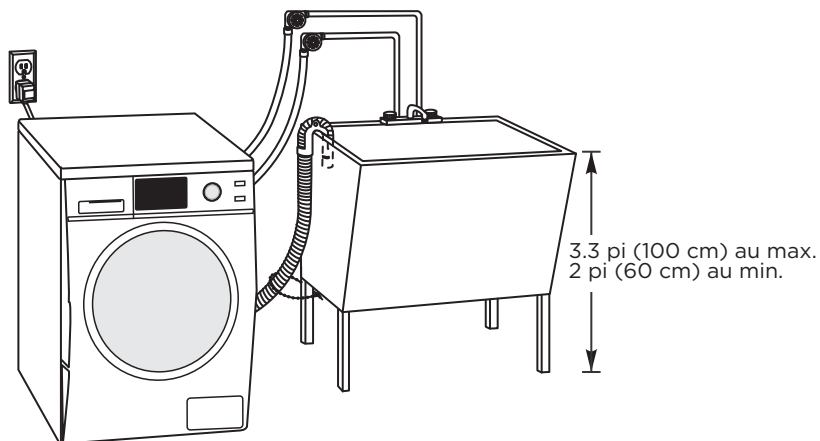
Insérer le tuyau de vidange dans le tuyau d'évacuation au plancher. Il est possible d'utiliser une attache en nylon (non incluse) pour relier le tuyau de vidange et le tuyau d'évacuation.



## Dans la cuve pour le linge

### REMARQUES :

- La cuve pour le linge doit avoir une capacité minimale de 20 gal (76 L).
- Le dessus de la cuve pour le linge doit être entre 2 pi (60 cm) et 3,3 pi (100 cm) au-dessus du plancher.



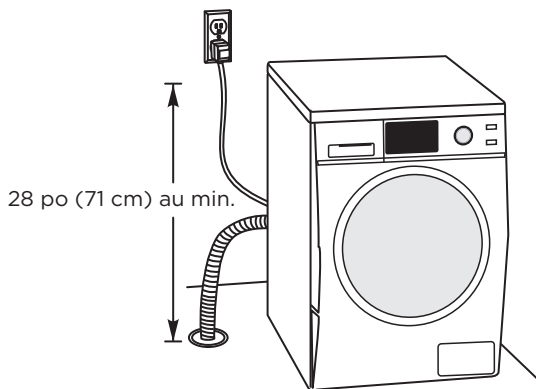


## Avec un système de vidange au plancher

### REMARQUES :

- Un système de vidange au plancher nécessite une rupture de siphon (non incluse). La rupture de siphon doit être au minimum à 28 po (71 cm) de la partie inférieure de la laveuse.
- Si le tuyau de vidange de la laveuse est plus court que la distance de rupture du siphon, fixer un tuyau de vidange supplémentaire (non inclus) au tuyau de vidange de la laveuse.

Insérer le tuyau de vidange dans le tuyau d'évacuation au plancher. Le poids du tuyau de vidange et la gravité maintiennent le tuyau de vidange dans la sortie de vidange.



## Mettez votre laveuse au niveau



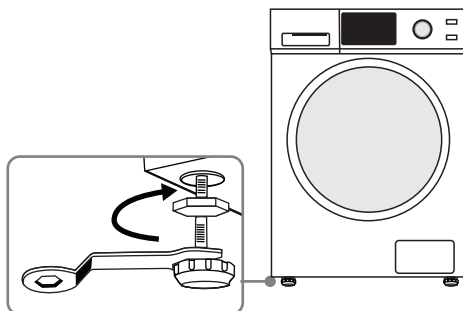
### ATTENTION

Ne pas utiliser la laveuse sans la mettre de niveau. Si la laveuse n'est pas de niveau, elle peut :

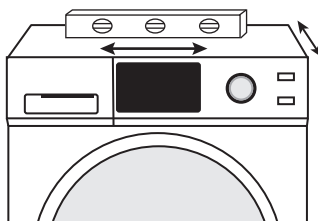
- Vibrer excessivement provoquant un mauvais fonctionnement de la laveuse.
- Émettre un bruit excessif.

Ne prolonger les pieds de nivellement qu'autant que nécessaire. Si les pieds sont trop prolongés, la laveuse peut vibrer.

1. Vérifier que les pieds sont au ras de l'armoire de la laveuse. Si nécessaire, utiliser une clé pour desserrer l'écrou de blocage d'un pied, puis faire glisser le pied vers le haut, puis serrer le boulon.



2. Faire glisser la laveuse en position.
3. Appuyer sur les quatre coins supérieurs de la laveuse. Si la laveuse bouge lorsque lorsqu'un coin est appuyé, le pied de ce coin doit être ajusté.
4. Desserrer l'écrou de blocage de la partie inférieure de la laveuse, tirer le pied vers le bas jusqu'à ce qu'il touche le sol, puis serrer l'écrou. Ne prolonger les pieds qu'autant que nécessaire. Si les pieds sont trop prolongés, la laveuse peut vibrer.
5. Appuyer sur les quatre coins de nouveau pour vérifier que la laveuse est de niveau. Si la laveuse n'est pas de niveau, répéter l'étape 4.
6. Utiliser un niveau pour vérifier que les quatre côtés de la laveuse sont de niveau.



## Mise sous tension

Brancher le câble d'alimentation sur une prise secteur certifiée mise à la terre, à trois broches, de 120 V, 60 Hz, protégée par un fusible de 12 A ou un disjoncteur similaire. La laveuse est mise à la terre par l'intermédiaire du troisième plot du câble d'alimentation.



## AVERTISSEMENT

- Vérifier que la tension d'alimentation dans la localité est la même que celle indiquée sur l'étiquette de la laveuse.
- Ne pas utiliser une prise multiple.
- Ne pas utiliser d'adaptateur.
- Ne pas utiliser de rallonge.
- Ne pas tirer la prise du câble d'alimentation avec des mains humides.
- Pour débrancher le câble d'alimentation, tirer la prise et non pas le câble.
- Si le câble d'alimentation est endommagé ou présente des signes de rupture, le remplacer.

Instructions  
de sécurité

Caractéristiques

Fonctionnement  
Exigences

Instructions  
d'installation

Directives  
d'utilisation

Entretien et  
nettoyage

Dépannage

## Exécuter un cycle d'essai

Effectuer le programme d'essai pour vérifier que la laveuse est correctement installée.

- Laisser la cuve vide.
- Appuyer sur le bouton **Power** (Marche-Arrêt) pour mettre en marche la laveuse.
- Régler le sélecteur de programme sur **Rinse & Spin** (Rinçage et essorage).
- Appuyer sur le bouton **Start/Pause** (Démarrage/Pause) pour commencer le programme d'essai. La laveuse ne doit pas bouger ni vibrer de façon excessive quand la cuve se remplit d'eau ou pendant le lavage ou l'essorage. La laveuse doit se vidanger correctement pendant le programme d'essorage.

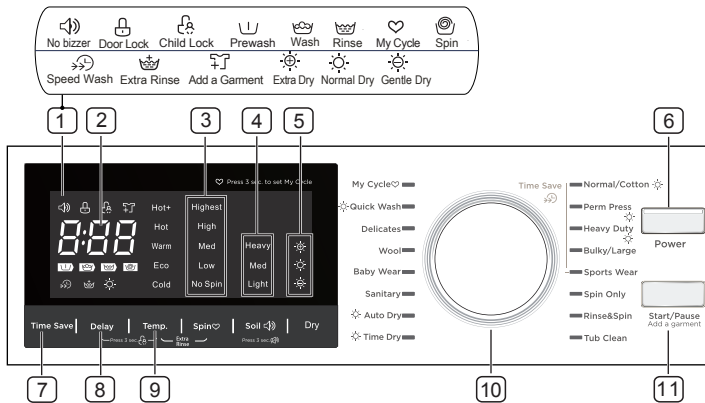


## ATTENTION

- Si une quelconque fuite d'eau se produit pendant le remplissage ou la vidange, vérifier les connexions des tuyaux d'eau. Voir **Connecter les tuyaux d'eau** à la page 18 ou **Connexion du tuyau de vidange** à la page 20.
- Si la laveuse bouge ou vibre de façon excessive, recommencer la mise de niveau. Voir **Mise de niveau de la laveuse** à la page 22.

# DIRECTIVES D'UTILISATION

## Panneau de commande



### 1 Témoins d'état

Ces témoins apparaissent quand la configuration et les options sont sélectionnées.

### 2 Affichage numérique

L'affichage initial correspond à la durée totale du programme sélectionné.

Quand la laveuse est en fonctionnement, l'affichage montre le programme en cours et la durée restante du programme.

**REMARQUES :** La durée affichée est une estimation basée sur des conditions de fonctionnement normales. Des facteurs externes (tels que la taille de la charge, la température de l'eau d'alimentation et la pression de l'eau) peuvent affecter la durée réelle.

Si un décalage de démarrage est programmé pour le programme, l'affichage montre l'heure à laquelle débutera le programme.

### 3 Vitesse d'essorage

Appuyer pour sélectionner le niveau d'eau. Les sélections possibles sont **Highest** (Le plus élevé) ou **High** (Élevé), **Med** (Moyen), **Low** (Bas) ou **No Spin** (Pas d'essorage).

### 4 Dry

Appuyer en continu le bouton Séchage afin de choisir le degré souhaité : Séchage extra/Séchage normal/Séchage délicat.

- ☀ Séchage extra
- ☀ Séchage normal
- ☀ Séchage délicat

## 5 Fonctions spéciales de charge

Permet de sélectionner les fonctions supplémentaires pour une charge. Sélections possibles :

- ☼ rinçage supplémentaire
- ☼ repassage facile
- ☼ prélavage

## 6 Power

Permet de mettre en marche ou d'arrêter la laveuse.

## 7 Time Save

Permet de diminuer la durée de lavage. Voir **Étape 7 : (Option) Diminution de la durée de lavage** à la page 30.

## 8 Démarrage différé

Permet d'effectuer une mise en marche différée. Voir **Étape 6 : (Facultatif) Mise en marche différée** à la page 30.

## 9 Température

Permet de sélectionner la température de l'eau. Il est possible de sélectionner **Hot+** (Très chaud), **Hot** (Chaud), **Warm** (Tiède), **Eco** (Économie d'énergie) ou **Cold** (Froid). Pour plus d'informations, voir **Options de lavage et configuration** à la page 32.

## 10 Sélecteur de programme

Le tourner pour sélectionner un programme de lavage. Pour plus d'informations, voir **Options de lavage et configuration** à la page 32.

## 11 Démarrage/Pause

Permet de lancer le programme ou de le mettre en arrêt momentané.

## Lavage d'une brassée de lessive

- Si c'est la première fois qu'un article est lavé, s'assure qu'il est sur le réglage grand-teint. Utiliser un chiffon ou une serviette blanc avec un peu de détergent pour laver une partie cachée de l'article. Si le chiffon ou la serviette est taché, les couleurs de l'article ne sont pas grand-teint.
- Si un article présente des taches, utiliser un détachant ou appliquer doucement une petite quantité de détergent sur les taches, puis frotter doucement les taches avec une brosse.
- Vérifier l'étiquette du fabricant pour des instructions de lavage spéciales détaillées.
- S'assurer d'avoir retiré tous les éléments des poches. Les éléments durs, tels que les pièces de monnaie, pourraient endommager la laveuse.
- Ne jamais laver des vêtements tachés par des produits chimiques tels que l'essence, le pétrole, le benzène, le diluant à peinture et l'alcool.
- Penser à utiliser une taie d'oreiller qui peut être fermée ou un sac de lavage pour protéger des articles comme les soutiens-gorges, les articles en dentelle et les articles délicats.
- Laver les articles blancs et de couleur séparément.
- Retourner les articles qui peuvent se mettre à l'envers (comme les pulls et les chandails molletonnés).

### REMARQUES :

- Ne jamais laver des articles mouillés dans la laveuse pendant des périodes prolongées. Les articles peuvent moisir et provoquer des taches.
- Vérifier l'étiquette du fabricant pour des instructions sur la température de lavage.
- Ne pas laver les objets, comme les cravates ou les objets avec des décorations, qui peuvent s'étirer ou se déformer.
- Ne pas laver les articles hydrofuges, comme les imperméables, les combinaisons de ski, les rideaux de douche et les matelas. Ces articles n'absorbent pas l'eau et peuvent provoquer des vibrations excessives.



### AVERTISSEMENT

Pour réduire le risque d'incendie, de choc électrique ou de blessure aux personnes, lire les **CONSIGNES DE SÉCURITÉ** avant d'utiliser cet appareil.

### 1. Sélection d'un détergent

Cette laveuse est conçue uniquement pour des détergents à haute efficacité (HE).

- Pour des résultats optimaux, utiliser un détergent HE. Il est recommandé de ne pas utiliser un détergent classique. Les détergents HE contiennent des supprimeurs qui diminuent ou supprime la mousse. Lorsque qu'il y a moins de mousse, la charge est secouée de façon plus efficace et le nettoyage est optimisé.

- La réduction de la quantité de détergent peut réduire la qualité du nettoyage. Vérifier que :
  - Les taches ont été traitées au préalable
  - Les articles ont été triés avec soin par couleur et niveau de saleté
  - La machine n'est pas surchargée

## 2. Mise en marche de la laveuse

Appuyer sur le bouton **Power** (Marche-Arrêt) pour mettre en marche la laveuse. La configuration d'origine de la laveuse est :

- Programme normal
- Température tiède
- Vitesse d'essorage moyenne

## 3. Charge de la laveuse



### ATTENTION

Avant de charger la lessive, s'assurer d'en enlever les pièces de monnaie, les clés et autres objets durs et de fermer toutes les fermetures à glissière. Ces articles pourraient endommager les vêtements.

- Répartir la lessive par type de tissu, niveau de saleté, couleur et taille de charge.
- Remplir la cuve avec des vêtements secs, non pliés. Charger la cuve aux 3/4 maximum. Pour une performance optimale, la taille maximale de la charge doit être inférieure à 12 lb (5,4 kg).

### REMARQUES :

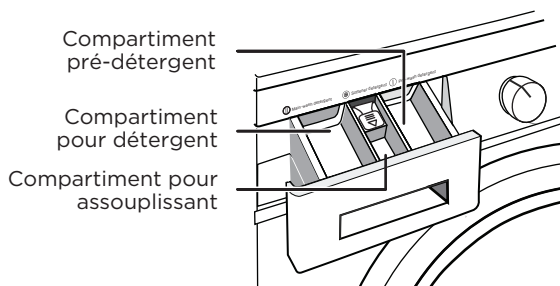
- Une surcharge peut réduire l'efficacité du lavage, causer une usure excessive et éventuellement froisser ou créer des faux plis pour les éléments de la charge.
- Laver les articles délicats tels que les soutiens-gorges et d'autres articles de lingerie en utilisant le programme **Delicates** (Délicat) avec des articles légers similaires.
- Ne pas remplir la laveuse avec trop d'objets volumineux et encombrants. Cela pourrait entraîner des vibrations indésirables pendant le programme d'essorage. Si cela se produit, retirer du linge et relancer le programme de lavage.
- Toujours utiliser le programme **Bulky** (Volumineux) pour les articles importants.
- Lors du lavage de charges très sales, ne pas surcharger la laveuse pour obtenir de bons résultats de nettoyage.
- Cette laveuse n'est pas adaptée au lavage des couettes. La laveuse pourrait ne pas atteindre une vitesse d'essorage élevée, ce qui peut résulter en une charge humide après l'essorage.
- Parfois, la laveuse ne peut pas atteindre une vitesse d'essorage élevée parce que la charge est déséquilibrée. Réorganiser les vêtements, puis essayer de nouveau le mode d'essorage seul.

## 4. Ajouter du détergent et des additifs dans les compartiments



### ATTENTION

- Éviter d'éclabousser ou de trop remplir le compartiment.
- Ne jamais verser du liquide javellisant non dilué directement sur les vêtements ou dans le tuyau. Cela pourrait endommager les tissus en affaiblissant les fibres ou en affectant les couleurs.
- Il suffit de verser moins de 50 ml (1,7 oz) de Javel dans le compartiment principal du détergent avant d'appuyer sur le bouton de mise en marche. Pour utiliser plus de Javel, il est recommandé de verser la Javel dans le compartiment principal du détergent quand l'eau s'écoule dans le compartiment à détergent après avoir démarré la laveuse.



- En cas d'utilisation de l'option de pré-lavage, ajouter la quantité recommandée de détergent directement dans le compartiment de pré-détergent (I) avant de démarrer la laveuse.
- Ajouter la quantité recommandée de détergent directement dans le compartiment (II) avant de démarrer la laveuse.
- En cas d'utilisation de Javel qui n'affecte pas les couleurs, l'ajouter avec le détergent dans le compartiment réservé à cet usage.

### REMARQUES :

- Lors de l'ajout de Javel qui n'affecte pas les couleurs avec du détergent, les deux produits de lavage doivent être de la même forme (liquides).
- En cas d'utilisation de détergent en poudre, le mettre au fond de la cuve avant d'ajouter la charge.
- Ajouter la quantité recommandée d'assouplissant liquide pour les tissus dans le compartiment prévu à cet effet. Le distributeur libère automatiquement l'assouplissant liquide pour les tissus au moment adéquat pendant le programme de rinçage.

## 5. Sélection du programme de lavage approprié et des options pour la charge

Tourner le sélecteur de programme pour sélectionner le programme de lavage. Pour toute information sur les programmes de lavage, consulter **Options de lavage et configuration** à la page 32.



## 6. (Facultatif) Mise en marche différée

Il est possible de programmer un programme de lavage et de le régler pour un démarrage à une heure précise.

### REMARQUES :

La laveuse mémorise les réglages. Si l'alimentation ne fonctionne pas, appuyer sur le bouton **Start/Pause** (Démarrage/Pause) dès que l'alimentation est rétablie. La laveuse continue la fonction de retardement qui a été définie.

- Tourner le bouton de sélection des programmes sur le programme souhaité.
- Appuyer sur le bouton Delay (Démarrage différé) de façon répétée pour sélectionner la durée souhaitée pour le démarrage différé. L'heure de démarrage différé (en heures) s'affiche sur l'écran par séquence de 0 à 24, puis de nouveau à 0. Quand la durée souhaitée est atteinte, appuyer sur le bouton Delay (Démarrage différé) pendant trois secondes pour confirmer le réglage. Le témoin lumineux du Démarrage différé s'allume.
- Appuyer sur le bouton **Start/Pause** (Démarrage/Pause) pendant trois secondes pour lancer la mise en marche différée.
- Pour annuler la fonction de l'heure de démarrage différé avant de l'enregistrer, appuyer sur le bouton **Delay** (Démarrage différé) jusqu'à ce que OH s'affiche à l'écran.

### REMARQUES :

- Après avoir réglé le démarrage différé, il est possible de modifier le réglage de ce dernier en appuyant de nouveau sur le bouton **Delay** (Démarrage différé) jusqu'à ce que l'heure souhaitée soit atteinte. Relâcher le bouton pendant trois secondes.
- Si l'utilisateur décide d'annuler le réglage du démarrage différé, tourner le sélecteur de programme ou appuyer sur le bouton **Delay** (Démarrage différé) jusqu'à ce que 0 soit atteint.
- Idéalement, vous devriez régler votre programme avant de régler le démarrage différé, car le fait de tourner le sélecteur de programme après avoir réglé le démarrage différé annule la fonction de démarrage différé.
- Il est possible de changer le réglage ou d'annuler la fonction de l'heure de démarrage différé à tout moment avant d'appuyer sur le bouton **Start/Pause** (Démarrage/Pause) en tournant le sélecteur de programme.
- L'heure de démarrage différé ne peut pas être modifiée une fois que le bouton **Start/Pause** (Démarrage/Pause) a été appuyé. Si le bouton **Start/Pause** (Démarrage/Pause) a été appuyé, il est possible d'annuler la fonction de l'heure de démarrage différé en appuyant sur le bouton Power (Marche-Arrêt) pour éteindre la laveuse, puis en appuyant de nouveau sur le bouton pour la remettre en marche.
- L'heure de démarrage différé ne peut pas être modifiée une fois que le programme a été lancé.

## 7. (Option) Diminution de la durée de lavage

Appuyer sur le bouton **Time Save** (Rapide). Le témoin lumineux  Rapide s'illumine et la durée de lavage diminue.

### REMARQUES :

La fonction Rapide fonctionne pour les programmes Normal, Perm Press (Sans repassage), Heavy Duty (Très sale), Bulky (Volumineux) et Active Wear (Vêtements de sport).

## 8. Démarrage de la laveuse

- Appuyer sur le bouton **Start/Pause** (Démarrage/Pause).

### REMARQUES :

- Si une heure de démarrage différé n'a pas été programmée ou si l'heure de démarrage différé a expiré, la laveuse commence le programme et le témoin lumineux **Wash** (Lavage) s'allume.
- Au fur à mesure que la laveuse passe d'une étape à l'autre dans le programme de lavage, le témoin lumineux concerné s'illumine (tel que **Rinse** [Rinçage] ou **Spin** [Essorage]).
- Si une heure de démarrage différé a été programmée le témoin lumineux de démarrage différé (**Delay**) s'illumine et la laveuse commence à décompter l'heure de démarrage.
- S'il est nécessaire de suspendre le programme (par exemple pour ajouter ou retirer un article ou régler la charge), appuyer sur le bouton **Start/Pause** (Démarrage/Pause) pendant trois secondes. Attendre que la cuve cesse de tourner, puis ouvrir la porte. Pour redémarrer le lavage, fermer la porte, puis appuyer de nouveau sur le bouton de démarrage.



### ATTENTION

Ne pas forcer pour ouvrir la porte, si :

- Le tambour est en mouvement. Cela pourrait endommager la laveuse.
- Le niveau de l'eau est au-dessus du bord de la cuve intérieure. L'eau se déversera sur le sol.
- La température est trop élevée. L'utilisateur pourrait se brûler.
- Si le bouton Start/Pause (Démarrage/Pause) est appuyé pendant trois secondes, la porte ne s'ouvrira pas car elle ne correspond pas aux conditions précitées. Il convient d'attendre le bon moment.

## Réglage du verrouillage parental

La laveuse dispose d'une fonction de verrouillage enfant pour éviter que les enfants ne jouent avec elle. Quand le verrouillage enfant est activé, les seuls boutons qui fonctionnent sont : **Power** (Marche-Arrêt), **Delay** (Démarrage différé) et **Temp.** (Température) qui servent à désactiver la fonction de verrouillage enfant.

- Appuyer sur les boutons **Delay** (Démarrage différé) et **Temp.** (Température) pendant trois secondes. Le témoin lumineux de verrouillage enfant s'allume et la laveuse émet un bip.
- Pour désactiver le verrouillage enfant, appuyer sur les boutons **Delay** et **Temp.** pendant trois secondes.

### REMARQUES :

- Si la laveuse n'est pas en marche, il est également possible de régler la fonction de verrouillage enfant. Appuyer sur le bouton PowerMarche-Arrêt, activer la fonction de verrouillage enfant et appuyer sur le bouton Power pour éteindre la laveuse. Pour pouvoir utiliser la laveuse, il sera nécessaire de désactiver la fonction de verrouillage.

## Options et réglages de la laveuse

- (points) indiquent options fonctions que vous pouvez sélectionner.

Cycle	Temp.	Spin Speed	Soil level	Time Save	Delay	Extra Rinse	Default Time (h)
☀ Normal/Cotton	Warm	Med	Med	•	•	•	1:04
☀ Perm Press	Warm	High	Med	•	•	•	4:27
☀ Heavy Duty	Hot	High	Heavy	•	•	•	1:40
Bulky/Large	Eco	High	Med	•	•	•	1:23
Sports Wear	Warm	Highest	Heavy	•	•	•	0:57
Spin Only	--	High	--	--	•	--	0:13
Rinse & Spin	--	High	--	--	•	--	0:23
Tub Clean	Hot+	--	--	--	•	--	1:28
☀ Time Dry	--	Highest	--	--	•	--	1:29
☀ Auto Dry	--	Highest	--	--	•	--	4:19
Sanitary	Hot+	High	Heavy	--	•	•	2:18
Baby Wear	Hot	High	Med	--	•	•	1:37
Wool	Eco	Med	Med	--	•	•	1:01
Delicates	Eco	Med	Med	--	•	•	0:58
☀ Quick Wash	Cold	High	Light	--	•	--	1:55

Remarque :

Les paramètres de ce tableau sont pour consultation par l'utilisateur.  
Les paramètres actuels pourraient varier.

La fonction de séchage peut être choisie pour ces programmes avec ☀.

# ENTRETIEN ET NETTOYAGE

## AVERTISSEMENT

- Ne pas utiliser de solvants pour nettoyer la laveuse. Cela pourrait endommager la finition et créer des gaz toxiques dangereux pour l'utilisateur ou qui peuvent exploser.
- Ne pas saupoudrer ni pulvériser de l'eau ou d'autres liquides directement sur la laveuse.
- Ne pas utiliser de détergents contenant du chloroxyléol pour nettoyer la laveuse. Cela pourrait endommager la finition.

**SERVICE PERSONNEL**—Certaines pièces internes ne sont pas mises à la terre volontairement et peuvent présenter un risque de choc électrique pendant l'entretien. Ne pas entrer en contact avec les pièces ci-après pendant que l'électroménager est alimenté : toute pièce relative à l'électricité, pompe, verrou, élément, ventilateur du moteur.

## ATTENTION

Avant d'effectuer tout entretien, mettre la laveuse hors tension, puis débrancher le câble d'alimentation et fermer les robinets d'eau.

## NETTOYAGE ET ENTRETIEN

### Nettoyage de l'extérieur

Utiliser un chiffon doux pour essuyer le détergent, le produit javellisant ou d'autres dépôts le cas échéant.

### Nettoyage de l'intérieur

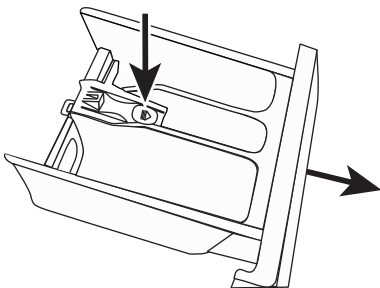
- Nettoyer l'intérieur de la laveuse régulièrement pour enlever toute saleté, terre, odeur, moisissure ou résidu de bactéries qui peuvent rester dans la laveuse après le nettoyage des vêtements.
- Si ces instructions ne sont pas observées, il peut en résulter des conditions désagréables, telles que des odeurs ou des taches permanentes dans la laveuse ou sur la lessive.
- Pour retirer les dépôts de calcaire, utiliser des produits de nettoyage étiquetés « Pour laveuse ».

### Nettoyage du panneau de commandes

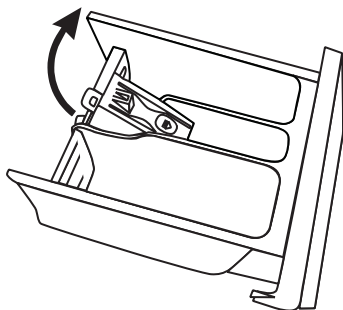
- Nettoyer avec un chiffon doux humide. Ne pas utiliser de nettoyeurs abrasifs ni tampons de nettoyage.
- Ne pas vaporiser de produit nettoyant directement sur le panneau de commandes. Le panneau de commandes peut être endommagé par des produits de traitement préalable du linge sale et les détachants. Appliquer ces produits à l'écart de la laveuse et nettoyer tous les déversements ou les éclaboussures immédiatement.

## Nettoyage des compartiments du détergent et de l'assouplissant

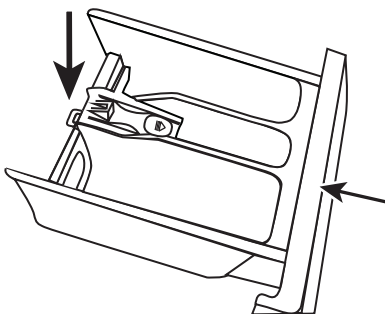
- Ouvrir le tiroir, puis appuyer sur la flèche située sur le couvercle de l'assouplissant à l'intérieur du tiroir.



- Soulever le crochet et retirer le tiroir.



- Laver les compartiments et les rainures à l'eau, puis les sécher avec un chiffon.
- Rétablir le couvercle de l'assouplissant et pousser le tiroir en position.

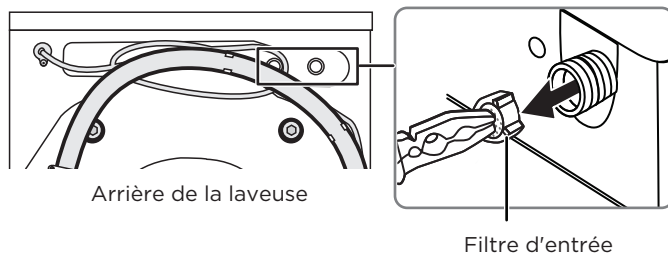


## Nettoyage des filtres d'entrée d'eau

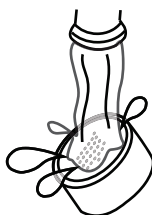
Si l'eau coule trop lentement ou pas du tout, il est nécessaire de nettoyer le filtre d'entrée.

### Filtre de la machine

- Fermer les robinets d'eau.
- Dévisser le tuyau d'entrée à l'arrière de la laveuse du robinet.
- Retirer le filtre à l'aide de pinces à long bec.



- Utiliser de l'eau pour laver le filtre.



- Réinstaller le filtre, puis reconnecter le tuyau d'entrée.
- Ouvrir les robinets d'eau, puis s'assurer de l'absence de toute fuite d'eau.

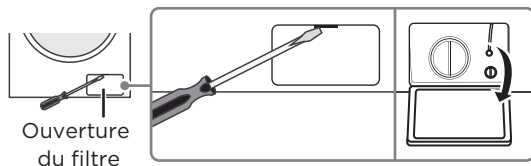
## Nettoyage du filtre de vidange

### ATTENTION

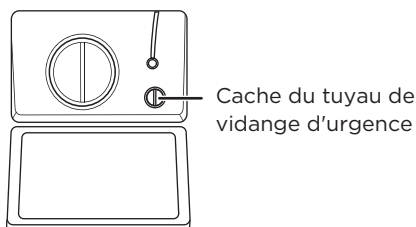
Nettoyer les filtres régulièrement. Des filtres obstrués peuvent :

- Empêcher la vidange de l'eau de la laveuse.
- Empêcher l'essorage de la laveuse.
- Provoquer des bruits forts ou inhabituels provenant d'objets pris dans les filtres.

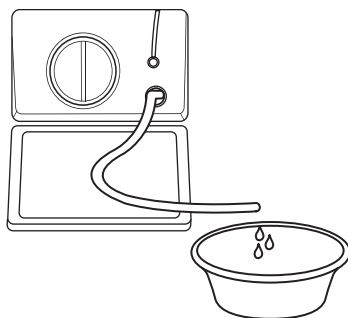
- Utiliser un tournevis à lame plate pour ouvrir la porte du filtre située en bas à droite de l'avant de la laveuse.



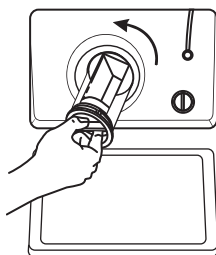
- Tourner le bouchon à 90° dans le sens horaire, puis retirer le tuyau de vidange d'urgence et enlever le bouchon du tuyau.



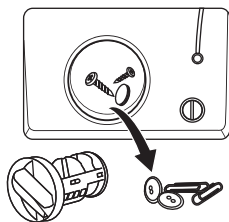
- Vidanger l'eau dans un bol ou un godet.



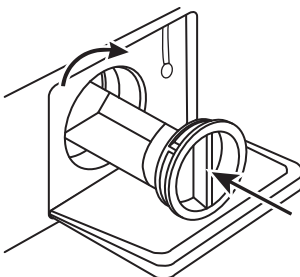
- Rétablir le tuyau de vidange.
- Faire tourner le filtre dans le sens anti-horaire et le retirer de la laveuse.



- Retirer les peluches et autres objets du filtre.



- Faire glisser le filtre et le faire tourner dans le sens anti-horaire pour le verrouiller en place.



## Nettoyage de la cuve

Le programme **Tub Clean** (Nettoyage de la cuve) est un programme autonettoyant qui supprime les odeurs qui peuvent se produire dans la laveuse sans requérir l'utilisation d'un produit de nettoyage. Nous suggérons de nettoyer la cuve environ une fois par mois.



### ATTENTION

Ne jamais utiliser le programme Tub Clean (Nettoyage de la cuve) quand le linge est dans la laveuse. Cela pourrait endommager le linge ou la laveuse.

- Quand la cuve est vide, ajouter une tasse de javellisant dans le distributeur de Javel.
- Appuyer sur le bouton **Power** (Marche-Arrêt).
- Mettre le sélecteur de programme sur **Tub Clean** (Nettoyage de la cuve). Quand le programme **Tub Clean** est sélectionné, la seule option qui peut être modifiée est celle du démarrage différé (**Delay**).
- Appuyer sur le bouton **Start/Pause** (Démarrage/Pause).

## Utilisation de l'ouverture d'urgence de la porte

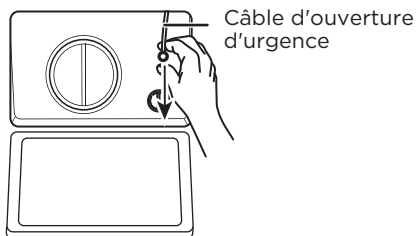
Si le courant électrique fait défaut ou si d'autres circonstances empêchent d'ouvrir la porte, il est possible d'utiliser le câble d'urgence pour ouvrir la porte.



## AVERTISSEMENT

Il n'est pas possible d'utiliser le câble d'urgence lorsque la laveuse est en fonctionnement. Si la porte doit être ouverte, arrêter la laveuse et attendre que l'eau se refroidisse avant d'utiliser le câble d'urgence.

- Ouvrir la porte du filtre située dans la partie inférieure droite de l'avant de la laveuse.
- Tirer doucement le câble d'urgence vers le bas.



### REMARQUES :

Ne pas tirer trop fort sur le câble. Il pourrait se casser. Tirer délicatement.

- Ouvrir la porte.
- Remettre le câble dans sa position initiale, puis fermer la porte du filtre.

### Dégivrage de la laveuse

Si la température ambiante tombe à zéro (0 °C [32 °F]), l'eau contenue dans les tuyaux ou les flexibles peut geler.

- Débrancher le câble d'alimentation.
- Nettoyer les robinets d'eau avec de l'eau chaude pour détendre les tuyaux d'admission.
- Retirer les tuyaux d'eau et les tremper dans de l'eau tiède.
- Verser de l'eau tiède dans le tambour de nettoyage et attendre une dizaine de minutes.
- Reconnecter le tuyau d'alimentation en eau aux robinets d'eau en s'assurant qu'il n'existe aucune fuite.
- Faire fonctionner la laveuse sur le programme Drain OnlyVidange uniquement (Vidange uniquement) pour éliminer l'eau qui a été ajoutée.

### Entreposage de la laveuse

La laveuse peut être endommagée si de l'eau reste dans les tuyaux et les composants internes avant l'entreposage.

Pour préparer la laveuse pour l'entreposage :

- Sélectionner le programme Quick Wash (Lavage rapide) et ajouter de la Javel dans la laveuse. Faire fonctionner la laveuse pendant le programme complet sans la charger.
- Fermer les robinets d'eau et déconnecter les tuyaux d'admission.
- Débrancher la laveuse de la prise secteur et laisser la porte de la machine ouverte pour que l'air puisse circuler dans la cuve.

# AVANT DE FAIRE APPEL AU SERVICE...

Des conseils de dépannage

Gagnez du temps et de l'argent! Examinez d'abord les tableaux des pages suivantes et vous n'avez peut-être pas besoin d'appeler le service.

Problèmes	Solutions
<b>La laveuse ne démarre pas</b>	<ul style="list-style-type: none"> <li>• Vérifier que la laveuse est branchée sur le secteur.</li> <li>• Vérifier que la porte est bien fermée.</li> <li>• Vérifier que les robinets d'eau sont ouverts.</li> <li>• Veiller à appuyer sur le bouton Power (Marche-Arrêt) pour démarrer la laveuse.</li> <li>• Veiller à appuyer sur le bouton Start/Pause (Démarrage/Pause).</li> <li>• Vérifier que la sécurité pour enfant n'est pas activée. Voir Réglage du verrouillage enfant à la page 31.</li> <li>• S'assurer que l'option Delay (Démarrage différé) n'est pas activée. Voir (Facultatif) Mise en marche différée à la page 30.</li> <li>• Vérifier le fusible ou réinitialiser le disjoncteur.</li> </ul>
<b>La porte est verrouillée ou ne s'ouvre pas</b>	<ul style="list-style-type: none"> <li>• La porte ne peut pas être ouverte si la laveuse est en fonctionnement. Appuyer sur le bouton <b>Start/Pause</b> (Démarrage/Pause) pendant trois secondes. Quand le tambour de la laveuse s'arrête, ouvrir la porte et ajouter le linge. Pour redémarrer le lavage, fermer la porte, puis appuyer de nouveau sur le bouton <b>Start/Pause</b> (Démarrage/Pause). <b>Remarque</b> : Ne pas utiliser la fonction pause lorsque la surface de l'eau dépasse le bord de la cuve intérieure ou quand la température est trop élevée.</li> <li>• Si la porte est verrouillée quand la laveuse est en fonctionnement, débrancher le câble d'alimentation et le rebrancher.</li> </ul>
<b>L'eau n'est pas chaude.</b>	<ul style="list-style-type: none"> <li>• Contacter un plombier qualifié pour vérifier le tuyau d'eau chaude. Il se peut qu'il soit cassé. <b>Remarque</b> : Il est toujours possible de laver du linge en eau froide uniquement.</li> </ul>
<b>Fuites d'eau</b>	<ul style="list-style-type: none"> <li>• Vérifier que toutes les connexions des tuyaux sont bien serrées. Voir <b>Connecter les tuyaux d'eau</b> à la page 18 et <b>Connexion du tuyau de vidange</b> à la page 20.</li> <li>• Vérifier que l'extrémité du tuyau de vidange est correctement insérée et fixée au système de vidange. Voir <b>Connexion du tuyau de vidange</b> à la page 20.</li> <li>• Vérifier que le tuyau de vidange n'est pas obstrué.</li> <li>• Éviter de surcharger.</li> <li>• Utiliser un détergent à haute efficacité pour réduire l'excès de mousse. Voir Sélection d'un détergent à la page 27.</li> </ul>

Instructions de sécurité

Caractéristiques

Fonctionnement  
Exigences

Instructions  
d'installation

Directives  
d'utilisation

Entretien et  
nettoyage

Dépannage

Problèmes	Solutions
<b>De l'eau déborde de la partie inférieure de la laveuse.</b>	<ul style="list-style-type: none"> <li>• Vérifier que le tuyau d'admission est fermement connecté.</li> <li>• Vérifier que la fuite ne vient pas du tuyau de vidange. Remplacer le tuyau si besoin est.</li> </ul>
<b>Pas d'eau ou une quantité insuffisante OU Du détergent ou de l'assouplissant sont toujours dans le compartiment alors que le programme de lavage est terminé.</b>	<ul style="list-style-type: none"> <li>• Vérifier que les deux robinets sont ouverts à fond.</li> <li>• Vérifier que la pression d'eau est dans la gamme listée dans Besoins en eau à la page 12.</li> <li>• Vérifier que les tuyaux d'admission d'eau ne sont pas entortillés. Les étirer si besoin est.</li> </ul>
<b>La laveuse vibre ou est trop bruyante</b>	<ul style="list-style-type: none"> <li>• Vérifier que la laveuse est installée sur une surface de niveau. Si la surface n'est pas de niveau, régler les pieds de la laveuse pour la mettre de niveau. Voir Mise de niveau de la laveuse à la page 22.</li> <li>• Vérifier que la laveuse n'est pas en contact avec un autre objet.</li> <li>• Vérifier d'avoir bien retiré les boulons de transport.</li> </ul>
<b>La laveuse s'arrête</b>	<ul style="list-style-type: none"> <li>• Vérifier que la prise secteur fonctionne correctement.</li> <li>• Fermer la porte et appuyer sur le bouton <b>Start/Pause</b> (Démarrage/Pause) pour démarrer la laveuse. Pour des raisons de sécurité, cette laveuse ne démarre pas tant que la porte n'est pas fermée.</li> <li>• Parfois la laveuse effectue une pause entre les différentes étapes du programme. Attendre de voir si la laveuse démarre de nouveau.</li> <li>• Vérifier le fusible ou réinitialiser le disjoncteur.</li> </ul>
<b>La laveuse ne vidange pas ni n'essore</b>	<ul style="list-style-type: none"> <li>• Fermer la porte et appuyer sur le bouton <b>Start/Pause</b> (Démarrage/Pause) pour démarrer la laveuse. Pour des raisons de sécurité, cette laveuse ne démarre pas tant que la porte n'est pas fermée.</li> <li>• Vérifier que le tuyau de vidange n'est pas entortillé. Étirer le tuyau si besoin est.</li> <li>• Vérifier que la hauteur du tuyau de vidange est dans les limites spécifiées. Voir Exigences en matière de vidange à la page 21.</li> <li>• Vérifier le fusible ou réinitialiser le disjoncteur.</li> <li>• Les tuyaux du réseau d'égouts peuvent être obstrués. Contacter un plombier ou un réparateur professionnel.</li> </ul>
<b>Il reste des résidus de savon dans le tiroir</b>	<ul style="list-style-type: none"> <li>• Nettoyer le tiroir.</li> <li>• Utiliser un détergent liquide.</li> </ul>

Problèmes	Solutions
<b>L'affichage du panneau de contrôle ne s'allume pas</b>	<ul style="list-style-type: none"> <li>• Vérifier que le câble d'alimentation est branché sur une prise secteur opérationnelle.</li> <li>• Contacter un plombier ou un réparateur professionnel pour vérifier le câblage du panneau de contrôle.</li> </ul>
<b>Les articles sont toujours sales après avoir été lavés</b>	<ul style="list-style-type: none"> <li>• Vérifier que la laveuse n'a pas été surchargée.</li> <li>• Veiller à utiliser la quantité correcte de détergent.</li> <li>• Si les articles sont extrêmement sales, essayer de les laver une seconde fois.</li> </ul>
<b>La charge est trop mouillée à la fin du programme</b>	<ul style="list-style-type: none"> <li>• Utiliser un détergent à haute efficacité pour réduire l'excès de mousse. Voir <b>Sélection d'un détergent</b> à la page 27.</li> <li>• La charge est peut-être trop petite. Des charges très petites (un ou deux articles) peuvent être déséquilibrées et ne pas tourner complètement.</li> </ul>
<b>La charge a trop de mousse</b>	<ul style="list-style-type: none"> <li>• Utiliser un détergent à haute efficacité pour réduire l'excès de mousse. Voir <b>Sélection d'un détergent</b> à la page 27.</li> <li>• Utiliser moins de détergent si l'eau est douce.</li> <li>• Pour des petites charges peu sales, diminuer la quantité de détergent.</li> </ul>

## CODES D'ERREUR

Code	Raison	Solutions
<b>E30</b>	<b>Door open (Porte mal fermée)</b>	<ul style="list-style-type: none"> <li>• Ouvrir et fermer la porte.</li> <li>• Vérifier qu'aucun article n'est coincé entre la porte et la laveuse.</li> </ul>
<b>E10</b>	<b>Problème d'injection d'eau lors du lavage</b>	<ul style="list-style-type: none"> <li>• Vérifier que la pression d'eau n'est pas trop basse.</li> <li>• Ajuster le tuyau d'eau, si besoin est.</li> <li>• Vérifier que le filtre de la vanne d'admission n'est pas obstrué.</li> </ul>
<b>E21</b>	<b>La laveuse ne vidange pas</b>	<ul style="list-style-type: none"> <li>• Vérifier que le tuyau de vidange n'est pas entortillé.</li> </ul>
<b>E12</b>	<b>Débordement d'eau</b>	<ul style="list-style-type: none"> <li>• Redémarrer la laveuse.</li> </ul>
<b>EXX</b>	<b>Autres</b>	<ul style="list-style-type: none"> <li>• Essayer de redémarrer la laveuse. Si le code d'erreur persiste ou si un code d'erreur différent s'affiche, contacter un réparateur qualifié.</li> </ul>

# GARANTIE LIMITÉE DE LA LAVEUSE MIDEA

## ATTACHEZ VOTRE REÇU AUX PRÉSENTES. UNE PREUVE D'ACHAT EST REQUISE POUR OBTENIR UN SERVICE TECHNIQUE COUVERT PAR LA GARANTIE.

Veillez disposer des renseignements suivants lorsque vous appelez le Centre des services à la clientèle :

- Vos nom, adresse et numéro de téléphone
- Le numéro de modèle et le numéro de série de votre appareil
- Une description claire et détaillée du problème
- Preuve d'achat, y compris le nom et l'adresse du dépositaire ou du détaillant, et la date d'achat

### SI VOUS AVEZ BESOIN D'UN SERVICE TECHNIQUE :

1. Avant de communiquer avec nous pour organiser le service, veuillez déterminer si votre produit nécessite une réparation. Certaines questions peuvent être abordées sans service. Veuillez prendre quelques minutes pour consulter la section Dépannage du manuel d'utilisation ou envoyer un courriel à [customerserviceusa@midea.com](mailto:customerserviceusa@midea.com).
2. Tout service technique couvert par la garantie est assuré exclusivement par nos prestataires de service technique Midea autorisés, aux États-Unis et au Canada.

#### Services à la clientèle Midea

**Aux États-Unis ou au Canada, appelez le 1-866-646-4332. ou envoyez un courriel à [customerserviceusa@midea.com](mailto:customerserviceusa@midea.com).**

Si vous résidez hors des 50 États des États-Unis ou hors du Canada, communiquez avec votre concessionnaire Midea autorisé pour déterminer si une autre garantie s'applique.

## GARANTIE LIMITÉE

### CE QUE LA GARANTIE COUVRE

#### GARANTIE LIMITÉE POUR LA PREMIÈRE ANNÉE (PIÈCES ET MAIN-D'ŒUVRE)

Pendant un an à compter de la date d'achat, si cet appareil ménager est installé, utilisé et entretenu conformément aux instructions qui sont ci-jointes ou fournies avec le produit, Midea America (Canada) Corporation (ci-après appelée "Midea") paiera le coût de toute pièce de rechange spécifiée par l'usine et de la main-d'œuvre liée à la réparation, qui sont nécessaires pour corriger les défauts de matériaux et de fabrication qui étaient présents à l'achat de cet appareil ménager, ou remplacera le produit à sa seule discrétion. En cas de remplacement du produit, votre appareil ménager sera garanti pour la durée résiduelle de la période de garantie de l'appareil original .

#### GARANTIE À VIE LIMITÉE (CUVE EN ACIER INOXYDABLE)

Pendant la durée de vie du produit à compter de la date de l'achat original, si cet appareil ménager est installé, utilisé et entretenu conformément aux instructions qui sont ci-jointes ou fournies avec le produit, Midea paiera le coût des pièces de rechange spécifiées par l'usine et le coût de la main-d'œuvre de réparation des éléments précisés ci-dessous pour corriger les défauts non superficiels de matériaux ou de fabrication qui étaient présents à l'achat de l'appareil ménager en question :

- Cuve en acier inoxydable

VOTRE REMÈDE UNIQUE ET EXCLUSIF EN VERTU DE LA PRÉSENTE GARANTIE LIMITÉE EST LA RÉPARATION OU LE REMPLACEMENT DU PRODUIT, COMME PRÉVU AUX PRÉSENTES. Le service technique doit être assuré par une entreprise d'entretien désignée par Midea. La garantie limitée est valide uniquement dans les 50 États des États-Unis ou au Canada et s'applique uniquement si l'appareil ménager est utilisé dans le pays où il a été acheté. La présente garantie limitée entre en vigueur à compter de la date de l'achat original de l'appareil ménager par le consommateur. Une preuve de la date de l'achat original doit être présentée pour obtenir un service technique en vertu de la présente garantie limitée.

## GARANTIE LIMITÉE

### CE QUE LA GARANTIE NE COUVRE PAS

1. Une utilisation commerciale, non résidentielle ou multifamiliale, ou une utilisation non conforme aux instructions d'installation, d'utilisation ou de fonctionnement qui ont été publiées.
2. Une instruction à domicile sur le mode d'emploi du produit.
3. Un service technique pour corriger un mauvais entretien ou une installation incorrecte du produit, une installation non conforme aux codes d'électricité ou de plomberie, ou pour apporter une correction au système d'électricité ou de plomberie du domicile (p. ex. câblage, fusibles, tuyauterie ou tuyaux d'arrivée d'eau).
4. Les pièces consommables (p. ex. ampoules, batteries, filtres à air ou à eau, etc.).
5. Les défauts ou dommages causés par l'utilisation de pièces ou accessoires non originaux de Midea.
6. Les dommages causés par un accident, un mauvais usage, un usage abusif, un incendie, une inondation, des problèmes électriques, une force majeure, ou une utilisation avec des produits qui ne sont pas approuvés par Midea.
7. Les réparations des pièces ou systèmes qui sont nécessaires pour corriger l'endommagement du produit ou les défauts causés par un service technique, une altération ou une modification de l'appareil qui n'ont pas été autorisés.
8. Les dommages superficiels, notamment les égratignures, les bosses, les ébréchures et d'autres dommages causés au fini de l'appareil, à moins que ces dommages ne découlent de défauts de matériaux et de fabrication et n'aient pas été déclarés à Midea dans un délai de 30 jours.
9. L'entretien courant du produit.
10. Des produits achetés "tels quels" ou ayant été remis en état de fonctionnement.
11. Des produits ayant été transférés de leur propriétaire original.
12. La décoloration, la rouille ou l'oxydation des surfaces découlant d'environnements caustiques ou corrosifs, y compris mais non de façon limitative, les concentrations élevées en sel, un niveau élevé d'humidité ou une exposition aux produits chimiques.
13. La collecte ou la livraison du produit. Celui-ci est destiné à une réparation à domicile.
14. Les frais de voyage ou de transport pour obtenir un service technique dans les endroits éloignés, où un préposé à l'entretien autorisé de Midea n'est pas disponible.
15. Le retrait ou la réinstallation d'appareils inaccessibles ou d'accessoires fixes incorporés (p. ex. boiserie, panneaux décoratifs, revêtement de sol, armoires de cuisine, îlots de cuisine, comptoirs de cuisine, cloisons sèches, etc.) qui entravent l'entretien technique, le retrait ou le remplacement du produit.
16. Le service technique ou les pièces pour des appareils dont les numéros originaux de modèle ou de série ont été enlevés ou altérés, ou sont difficilement reconnaissables.

**Dans ces circonstances exclues, le coût des réparations ou du remplacement du produit sera assumé par le client.**

### DÉNÉGATION DE GARANTIES IMPLICITES

LES GARANTIES IMPLICITES, Y COMPRIS TOUTE GARANTIE IMPLICITE DE QUALITÉ MARCHANDE OU GARANTIE IMPLICITE D'APTITUDE À UN EMPLOI PARTICULIER, SONT LIMITÉES À UNE PÉRIODE D'UN AN OU À LA PÉRIODE LA PLUS COURTE PERMISE PAR LA LOI. Quelques états et provinces ne permettent pas l'imposition d'une limite à la durée des garanties implicites de qualité marchande ou d'aptitude à l'emploi et, par conséquent, il est possible que cette limitation ne vous concerne pas. La présente garantie vous confère certains droits légaux. Vous pouvez également jouir d'autres droits, lesquels varient d'un état à l'autre ou d'une province à l'autre.

### DÉNÉGATION DE DÉCLARATIONS NE RELEVANT PAS DE LA GARANTIE

Midea ne fait aucune déclaration concernant la qualité ou la durabilité de cet appareil ménager, ni son besoin de service technique ou de réparation, à part les déclarations formulées dans la présente garantie. Si vous souhaitez une garantie plus longue ou plus complète que la garantie limitée qui accompagne cet appareil ménager, veuillez communiquer avec Midea ou votre détaillant au sujet de l'achat d'une prolongation de garantie.

### LIMITATION DES REMÈDES; EXCLUSION DES DOMMAGES ACCESSOIRES ET DES DOMMAGES INDIRECTS

VOTRE REMÈDE UNIQUE ET EXCLUSIF EN VERTU DE LA PRÉSENTE GARANTIE LIMITÉE EST LA RÉPARATION DU PRODUIT PAR MIDEA, COMME PRÉVU AUX PRÉSENTES. MIDEA N'EST PAS RESPONSABLE DES DOMMAGES ACCESSOIRES ET INDIRECTS. Quelques états et provinces ne permettent pas l'exclusion ou la limitation de dommages accessoires ou indirects et, par conséquent, il est possible que ces limitations et ces exclusions ne vous concernent pas. La présente garantie vous confère certains droits légaux. Vous pouvez également jouir d'autres droits, lesquels varient d'un état à l'autre ou d'une province à l'autre.











make yourself at home  
chez nous, c'est chez vous