

Refrigerator
TOP MOUNTED FREEZER SERIES

USER MANUAL

MRT12B2AWW
MRT12B2AST

Warning notices: Before using this product, please read this manual carefully and keep it for future reference. The design and specifications are subject to change without prior notice for product improvement. Consult with your dealer or manufacturer for details. The diagram above is just for reference. Please take the appearance of the actual product as the standard.

LANGUAGES

EN English

FR French

ES Spanish

Free 3 months extension of the original limited warranty period!* Simply text a picture of your proof of purchase to:

1-844-224-1614

*The warranty extension is for the three months immediately following the completion of the product's original warranty period. Individuals do not need to register the product in order to get all the rights and remedies of registered owners under the original limited warranty.

THANK YOU LETTER

Thank you for choosing Midea! Before using your new Midea product, please read this manual thoroughly to ensure that you know how to operate the features and functions that your new appliance offers in a safe way.

CONTENTS

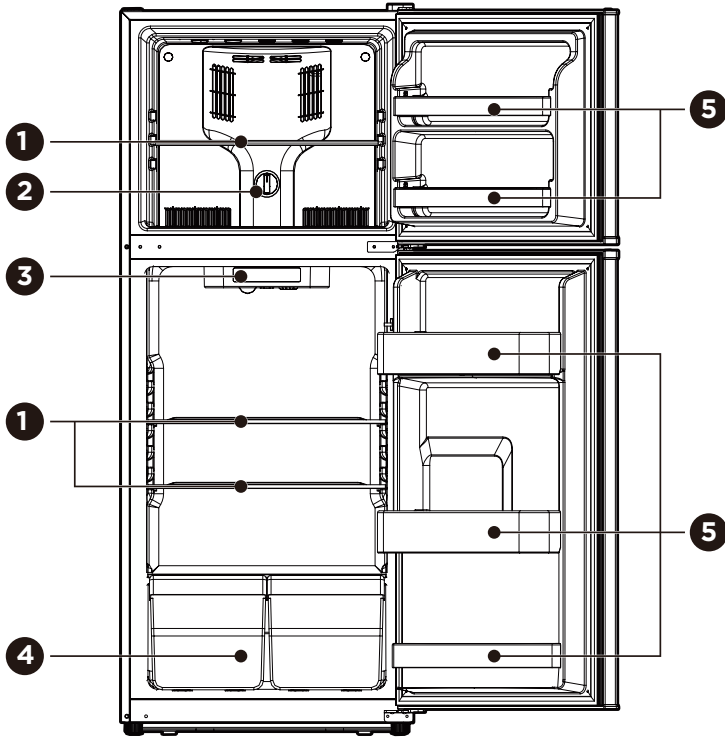
THANK YOU LETTER	02
SPECIFICATIONS	03
PRODUCT OVERVIEW	04
PRODUCT INSTALLATION	05
OPERATION INSTRUCTIONS	11
CLEANING AND MAINTENANCE	14
TROUBLESHOOTING	16
WARRANTY	18

SPECIFICATIONS

Rated Voltage	115V-
Rated Frequency	60Hz
Rated Current	1.4A
Defrost Power	160W
Refrigerant, Amount	R600a, 1.48oz(42g)
Foaming Agent	Cyclopentane

PRODUCT OVERVIEW

Names of components



- | | | | |
|---|-----------------------------|---|---------------------------|
| 1 | Shelf | 4 | Fruits and vegetables box |
| 2 | Freezer temperature control | 5 | Door tray |
| 3 | Display control panel | | |

ATTENTION

The picture above is only for reference. The actual configuration will depend on the physical product or statement by the distributor.

PRODUCT INSTALLATION

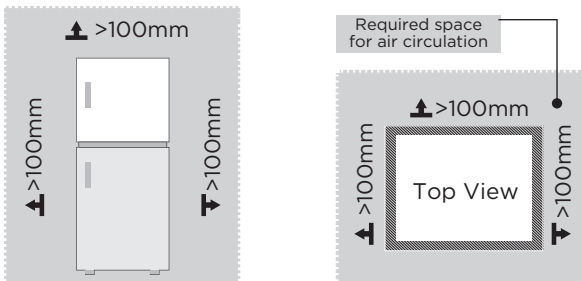
Install Instruction

Finding a suitable location

- This refrigerator is designed to be free standing only, and should not be recessed or built-in.
- The refrigerator should be placed in a well-ventilated indoor place; the ground shall be flat and sturdy.
- Keep away from heat and avoid direct sunlight. Do not place the refrigerator in moist or watery places to prevent rust or reduction of insulating effect.

Dimensions and Clearances

- Too small of a distance from adjacent items may result in the degradation of freezing capability and increased electricity costs. Allow over 100 mm of clearance from each adjacent wall when installing the appliance.



EN

Providing a proper power supply

- Check your local power source. This refrigerator requires a 115 V, 60 Hz power supply.
- Use a receptacle that accepts the grounding prong. The power cord is equipped with a 3-prong (grounding) plug which mates with a standard 3-prong (grounding) wall outlet to minimize the possibility of electric shock hazard from this refrigerator.



CAUTION

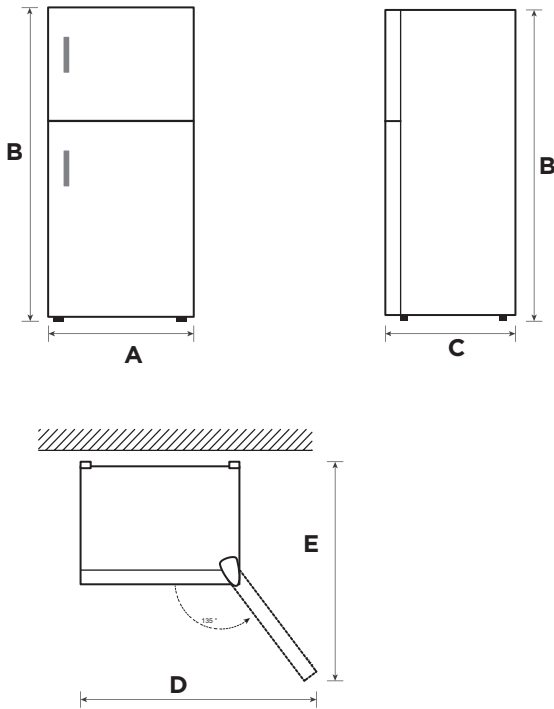
The refrigerator should always be plugged into its own individual electrical outlet which has a voltage rating that matches the rating plate.

Never unplug your refrigerator by pulling on the power cord. Always grip the plug firmly and pull straight out from the outlet.

Start to use

- The refrigerator shall stay for half an hour before connecting power when it is firstly started.
- The refrigerator shall run 2 to 3 hours before loading fresh or frozen foods; the refrigerator shall run for more than 4 hours in summer in advance considering that the ambient temperature is high.

Space requirement diagram (when the door is open and when the door is closed)



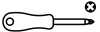
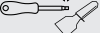


EN

Width	Overall Height	Depth	Width doors open 135°	Depth doors open 135°
A	B	C	D	E
610	1519	733	1029	1166

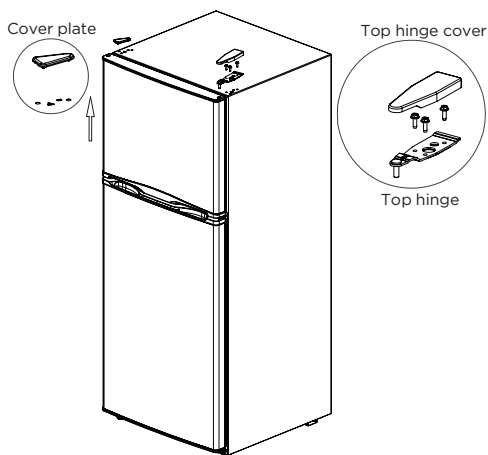
Notice: All dimensions in mm

Door right-left change(Optional)

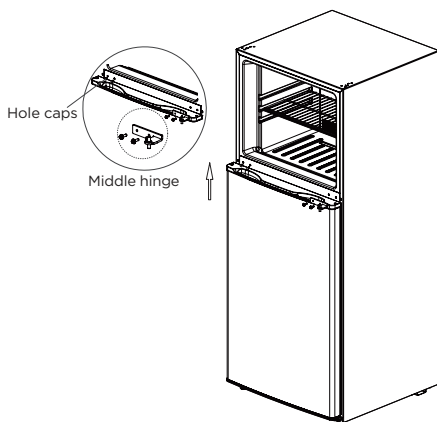
List of tools to be provided by the user

	Allen wrench-Cross screwdriver
	Putty knife Thin-blade screwdriver
	5/16" socket spanner
	Masking tape

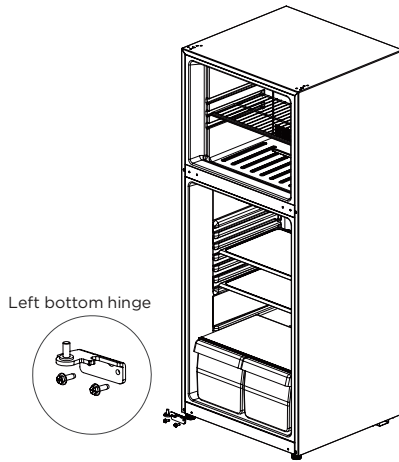
1. Unplug your refrigerator and remove all food from the door shelves. Remove all food from the inner door liner. Fix the door by tape.
2. Remove the Cover plate and the Top hinge cover, then unscrew screws and remove the Top hinge. Keep the screws to reuse.



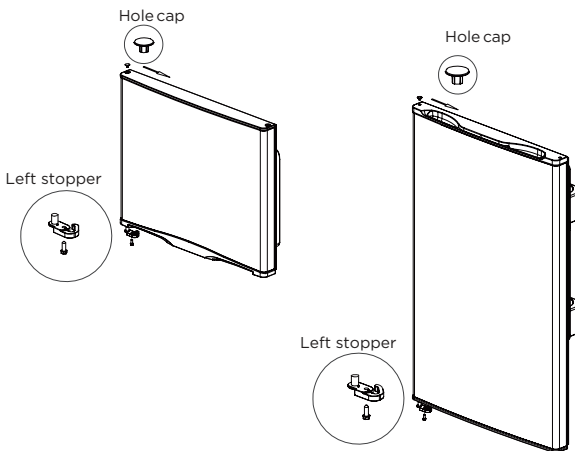
3. Lift the freezer door up and away from your refrigerator.
4. Unscrew screws of Middle hinge, remove the hinge, Hole caps on the other side then lift the refrigerator door up and away from your refrigerator. Save the screws to reuse.



5. Unscrew screws of the Right bottom hinge, then remove the Right bottom hinge from the bottom right side of the refrigerator.
6. Take out the Left bottom hinge of the other side from the accessory bag then assemble the Left bottom hinge.

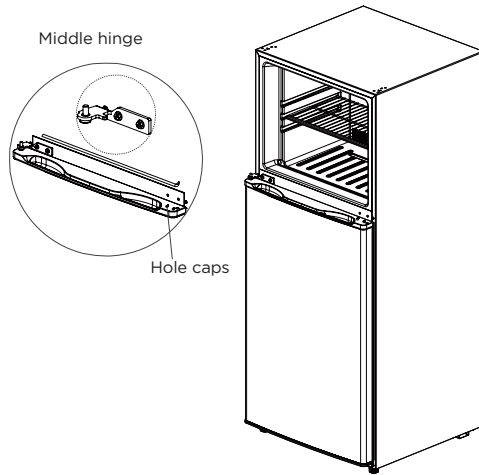


7. Dismantle the Hole cap from top of freezer and refrigerator door, and assemble them on the other side.
8. Remove right stopper assemblies from the bottom of the freezer and refrigerator doors. Take out Left stoppers of freezer and refrigerator door from the accessory bag in the refrigerator and installed on the other side of doors.

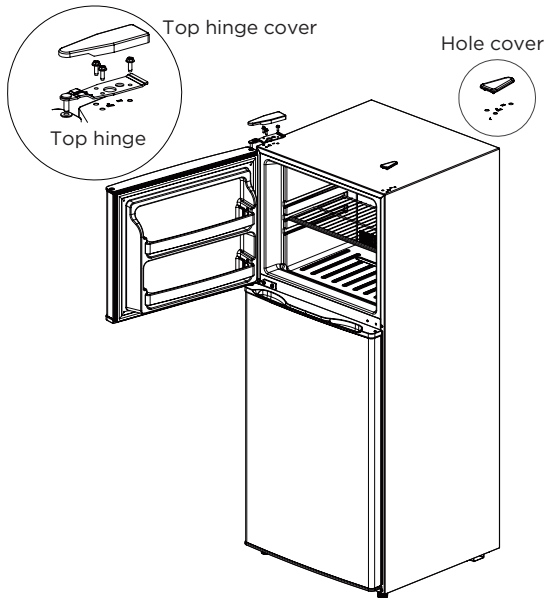


EN

9. Put down the refrigerator door Left bottom hinge vertically, assemble the Middle hinge, Hole caps on the other side.



10. Put down the freezer door on the Middle hinge vertically, assemble Top hinge, Top hinge cover and Cover plate.



EN

ATTENTION

The picture above is only for reference. The actual configuration will depend on the physical product or statement by the distributor.



Leveling feet

To avoid vibration, the unit must be leveled.

If required, adjust the leveling screws to compensate for the uneven floor.

The front should be slightly higher than the rear to aid in door closing.

Leveling screws can be turned easily by tipping the cabinet slightly.

Turn the leveling screws counterclockwise  to raise the unit, clockwise  to lower it.

Changing the light

Any replacement or maintenance of the lamps is intended to be made by the manufacturer, its service agent or similar qualified person.

Connecting the appliance

After installing the appliance, connect the power plug into a socket outlet.

ATTENTION

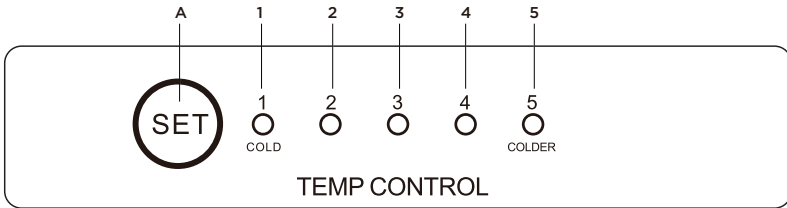
After connecting the power supply cord (or plug) to the outlet, wait 2 or 3 hours before you put food into the appliance. If you add food before the appliance has cooled completely, your food may spoil.

Tips for energy saving

- Do not place the appliance near cookers, radiators or other heat sources. If the ambient temperature is high, the compressor will run more frequently and for longer, resulting in increased energy consumption.
- Ensure that there is sufficient ventilation at the base of the appliance, on the sides of the appliance and at the back of the appliance. Never cover ventilation openings.
- Please also observe the spacing dimensions in the chapter "Installation".
- The arrangement of drawers, shelves and racks as shown in the illustration offers the most efficient use of energy and should therefore be retained as far as possible. All drawers and shelves should remain in the appliance to keep the temperature stable and save energy.
- To obtain a larger storage space (e.g. for large refrigerated/frozen goods), the middle drawers can be removed. The top and bottom drawers and shelves should be removed last if necessary.
- An evenly filled refrigerator/freezer compartment contributes to optimal energy use. Therefore, avoid empty or half-empty compartments.
- Allow warm food to cool before placing it in the refrigerator/freezer. Food that has already cooled down increases energy efficiency.
- Allow frozen food to defrost in the refrigerator. The coldness of the frozen food reduces the energy consumption in the refrigerator compartment and thus increases the energy efficiency.
- Open the door only as briefly as necessary to minimise cold loss. Opening the door briefly and closing it properly reduces energy consumption.
- The door seals of your appliance must be perfectly intact so that the doors close properly and energy consumption is not increased unnecessarily.

OPERATION INSTRUCTIONS

Control panel



Key

- A. Setting button

Display screen

- Setting 1: LED1 COLD indicator
- Setting 2: LED2 indicator
- Setting 3: LED3 indicator
- Setting 4: LED4 indicator
- Setting 5: LED5 COLDER indicator


Display

- Once initially powered on, the display screen (including the key light) is on full display for 3s. and then the refrigerator runs according to setting 3.

Normal operation display

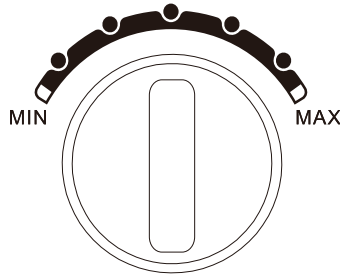
- In case of a failure, the appropriate LED light show in combination the failure code (in recycling display).
- In case of no failures, the actual temperature setting of refrigerator will be on display.

Temperature setting

- Each time the temperature setting  is pressed once, the temperature setting changes one time.
- After the temperature setting has been completed, the refrigerator will run according to the set value after 5s. From left to right, the temperature is lower.
- The order of coldness settings is as follows:



Setting the freezer temperature



TEMP CONTROL

- Turn the controls to adjust the freezer temperature.
- Place frozen food into the freezer as quickly as possible after purchase. Pay attention to the storage time on the food packaging instructions. The storage life of frozen foods varies and the recommended storage time should not be exceeded.
- When it is set at MAX position, the temperature of freezing chamber will be colder, but it causes the cooling capacity sent to refrigerating chamber will be lower.

Fault indication

- The following warnings appearing on the display indicate corresponding faults of the refrigerator. Though the refrigerator may still have cooling and freezing function with the following faults, the user shall contact a maintenance specialist for maintenance, so as to ensure normal use of the refrigerator.

Fault Code	Fault Description
LED1 indicator and LED2 indicator	Refrigerator temperature sensor circuit
LED1 indicator and LED3 indicator	Freezer defrost sensor
LED1 indicator and LED4 indicator	Ambient temperature sensor

Tips on storing food

Freezer compartment

- The freezer is designated for the storage of food frozen at very low temperature, long-term storage of frozen food, and for the production of ice.
- Only use the shelves in the door of the freezer to store frozen food, not for storing hot food designated for freezing.
- Do not put fresh and frozen food next to each other. The frozen food may thaw.
- When freezing fresh food (such as meat, fish or chopped meat), cut them into parts that can be used at the same time.
- Storing frozen food: instructions are usually stated on the packages, which must be followed. If there is no information on the packaging, food should not be stored for longer than three months from the date of purchase.
- When purchasing frozen food, make sure that it was frozen at a suitable temperature and that the packaging is not damaged.
- Frozen food should be kept in suitable packages to retain the quality and should be returned to the freezer compartment as soon as possible.
- If a package of frozen food shows moisture or abnormal bulging, it is probable that it was stored at the wrong temperature and the content is spoiled.
- The storage period for frozen food depends on the room temperature, the thermostat setting, the frequency of opening the door of the freezer, the type of food and the time of transporting the product from the shop to the household. Always follow the instructions printed on the packaging and never exceed the maximum storage time stated on the package.

EN

Cooling compartment

- To reduce moisture and subsequent ice build-up, never put liquid into the refrigerator in unsealed containers. Frost tends to concentrate in the coolest parts of the evaporator. Storing uncovered liquids results in a more frequent need for defrosting.
- Never put warm foods in the refrigerator. These should first cool down at room temperature and then be placed so as to ensure adequate air circulation in the refrigerator.
- Foods or food containers should not touch the back wall of the refrigerator because they could freeze to the wall. Do not keep regularly opening the door of the refrigerator.
- Meat and clean fish (packed in a package or plastic foil) can be placed in the refrigerator, which can be used in 1-2 days.
- Fruit and vegetables without packaging can be placed in the part designated for fresh fruit and vegetables.

ATTENTION

The optimal temperature setting of each compartment depends on the ambient temperature. Above optimal temperature is based on the ambient temperature of 25 °C.

CLEANING AND MAINTENANCE

Defrost

- The refrigerator is made based on the air-cooling principle and thus has automatic defrosting function. Frost formed due to change of season or temperature may also be manually removed by disconnection of the appliance from power supply or by wiping with a dry towel.

Stop using

Power failure:

- In case of power failure, even if it is in summer, foods inside the appliance can be kept for several hours; during the power failure, the times of door opening shall be reduced, and no more fresh food shall be put into the appliance.

Long-time nonuse:

- The appliance shall be unplugged and then cleaned; then the doors are left open to prevent odor.

Moving:

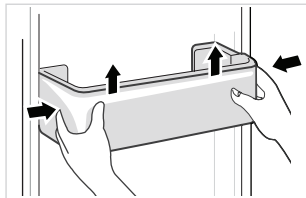
- Before the refrigerator is moved, take all objects inside out, fix the glass partitions, vegetable holder, freezing chamber drawers and etc. with tape, and tighten the leveling feet; close the doors and seal them with tape. During moving, the appliance shall not be laid upside down or horizontally, or be vibrated; the inclination during movement shall be no more than 45°.

ATTENTION

The appliance shall run continuously once it is started. Generally, the operation of the appliance shall not be interrupted; otherwise the service life may be impaired. Foods can be preserved for a couple of hours even in summer in case of power failure; it is recommended to reduce the frequency of opening door.

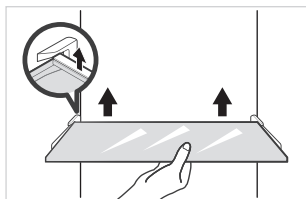
Cleaning of door tray

- According to the direction arrow in the figure below, use both hands to squeeze the tray, and push it upward, then you can take it out.
- After washing the tray having been taken out, you can adjust its installing height in accordance with your requirement.



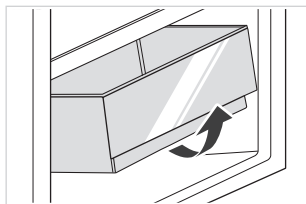
Cleaning of glass shelf

- As the innermost part of the refrigerator liner where contacting the shelves has a backstop, you shall raise the shelves upward, then you can be able to take it out.
- Adjust or clean the shelves according to your requirement.



Cleaning the vegetable drawer

- Remove the contents of the drawer. Hold the handle of the vegetable drawer and pull it out completely until it stops.
- Lift the vegetable drawer up and remove it by pulling it out.



EN

ATTENTION

Soft towels or sponge dipped in water and non-corrosive neutral detergents are suggested for cleaning. The freezer shall be finally cleaned with clean water and dry cloth. Open the door for natural drying before the power is turned on. Do not use hard brushes, clean steel balls, wire brushes, abrasives, such as toothpastes, organic solvents (such as alcohol, acetone, banana oil, etc.), boiling water, acid or alkaline items clean refrigerator considering that this may damage the fridge surface and interior.

TROUBLESHOOTING

The following simple issues can be handled by the user. Please call the after-sale service department if the issues are not solved.

Problem	Possible reason
Failed operation	<ul style="list-style-type: none"> • Check whether the appliance is connected to power or whether the plug is in well contact
	<ul style="list-style-type: none"> • Check whether the voltage is too low
	<ul style="list-style-type: none"> • Check whether there is a power failure or partial circuits have tripped
Odor	<ul style="list-style-type: none"> • Odorous foods shall be tightly wrapped
	<ul style="list-style-type: none"> • Check whether there is any rotten food
	<ul style="list-style-type: none"> • Clean the inside of the refrigerator
Long-time operation of the compressor	<ul style="list-style-type: none"> • Long operation of the refrigerator is normal in summer
	<ul style="list-style-type: none"> • When the ambient temperature is high it is not suggestible having too much food in the appliance at the same time
	<ul style="list-style-type: none"> • Food shall get cool before being put into the appliance
	<ul style="list-style-type: none"> • The doors are opened too frequently
Light fails to get lit	<ul style="list-style-type: none"> • Check whether the refrigerator is connected to power supply and whether the illuminating light is damaged
	<ul style="list-style-type: none"> • Have the light replaced by a specialist
Door can not be properly closed	<ul style="list-style-type: none"> • The door is stuck by food packages Too much food is placed
	<ul style="list-style-type: none"> • The refrigerator is tilted
Loud noises	<ul style="list-style-type: none"> • Check whether the floor is level and whether the refrigerator is placed stably
	<ul style="list-style-type: none"> • Check whether accessories are placed at proper locations

Problem	Possible reason
Door seal fails to be tight	<ul style="list-style-type: none"> • Remove foreign matters on the door seal
	<ul style="list-style-type: none"> • Heat the door seal and then cool it for restoration (or blow it with an electrical drier or use a hot towel for heating)
Water pan overflows	<ul style="list-style-type: none"> • There is too much food in the chamber or food stored contains too much water, resulting in heavy defrosting
	<ul style="list-style-type: none"> • The doors are not closed properly, resulting in frosting due to entry of air and increased water due to defrosting
Hot housing	<ul style="list-style-type: none"> • Heat dissipation of the built-in condenser via the housing, which is normal when housing becomes hot due to high ambient temperature, storage of too much food or shutdown of the compressor is shut down, provide sound ventilation to facilitate heat dissipation
Surface condensation	<ul style="list-style-type: none"> • Condensation on the exterior surface and door seals of the refrigerator is normal when the ambient humidity is too high. Just wipe the condensate with a clean towel.
Abnormal noise	<ul style="list-style-type: none"> • Buzz: The compressor may produce buzzes during operation, and the buzzes are loud particularly upon start or stop. This is normal.
	<ul style="list-style-type: none"> • Creak: Refrigerant flowing inside of the appliance may produce creak, which is normal.

WARRANTY

MIDEA REFRIGERATOR LIMITED WARRANTY

ATTACH YOUR RECEIPT HERE. PROOF OF PURCHASE IS REQUIRED TO OBTAIN WARRANTY SERVICE.

Please have the following information available when you call the Customer Service Center:

- Name, address and telephone number
- Model number and serial number
- A clear, detailed description of the problem
- Proof of purchase including dealer or retailer name and address

IF YOU NEED SERVICE:

1. Before contacting us to arrange service, please determine whether your product requires repair. Some questions can be addressed without service. Please take a few minutes to review the Troubleshooting section of the User Manual, or visit <https://www.midea.com/ca/support>
2. All warranty service is provided exclusively by our authorized Midea Service Providers, in the U.S. and Canada.

Midea Customer Service

In the U.S.A. or Canada, call 1-866-646-4332.

If outside the 50 States of the United States or Canada, contact your authorized Midea dealer to determine whether another warranty applies.

1 YEAR PARTS AND LABOR

WHAT IS COVERED

FIRST YEAR LIMITED WARRANTY (PARTS AND LABOR)

Midea will repair or replace, without charge, any defects due to faulty materials or workmanship for one full year from the date of purchase. For further detail of warranty coverage and warranty repair information, visit <https://www.midea.com/ca> or call **1-866-646-4332**.

Consumer will be responsible for:

- Diagnostics, removal, transportation and reinstallation cost required because of service.
- Costs of service calls that are a result of items listed under **NORMAL RESPONSIBILITIES OF THE CONSUMER****

NORMAL RESPONSIBILITIES OF THE CONSUMER**

This warranty applies only to products in ordinary household use, and the consumer is responsible for the items listed below:

1. Proper use of the appliance in accordance with the instructions provided with the product.
2. Routine maintenance and cleaning necessary to keep the good working condition.
3. Proper installation by an authorized service professional in accordance with instructions provided with the appliance and in accordance with all local plumbing, electrical and / or gas codes.
4. Proper connection to a grounded power supply of sufficient voltage, replacement of blown fuses, repair of loosened connections or defects in house wiring.
5. Expenses for making the appliance accessible for servicing.
6. Damages to finish after installation.

YOUR SOLE AND EXCLUSIVE REMEDY UNDER THIS LIMITED WARRANTY SHALL BE PRODUCT REPAIR OR REPLACEMENT AS PROVIDED HEREIN. Service must be provided by a Midea designated service company. This limited warranty is valid only in the 50 States of the United States or Canada and applies only when the major appliance is used in the country in which it was purchased. This limited warranty is effective from the date of original consumer purchase. Proof of original purchase date is required to obtain service under this limited warranty.

WHAT IS NOT COVERED

1. Failure caused by damage to the unit while in your possession (other than damage caused by defect or malfunction), by its improper installation, or by unreasonable use of the product, including without limitation, failure to provide reasonable and necessary maintenance or to follow the written Installation and Instruction Manual.
2. Products purchased "as-is" or refurbished are not covered by this warranty.
3. Food loss caused by refrigerator or freezer failure.
4. Service calls to repair or replace consumables such as water filters, light bulbs, air filters etc., or handles, knobs and other cosmetic parts.
5. Product that has been transferred from its original owner.
6. Interior or exterior rust on the unit.
7. Damages caused by services performed by persons other than authorized Midea servicers; use of parts other than Midea replacement parts; obtained from persons other than such Midea customer service; or external causes such as abuse, misuse, inadequate power supply or acts of God.
8. Service calls resulting from improper installation of your product.
9. Service calls to instruct you on the use of your product.
10. Surcharges including, but not limited to, any after hour, weekend, or holiday service calls, tolls, ferry trip charges, or mileage expense for service calls to remote areas, including the state of Alaska.
11. If the unit is put to commercial, business, rental, or other use or application other than for consumer use, we make no warranties, express or implied, including but not limited to, any implied warranty of merchantability or fitness for particular use or purpose.
12. Product that has been removed outside the USA or Canada.
13. Products without original serial numbers or products that have serial numbers which have been altered or cannot be readily determined.

NOTE: Some states do not allow the exclusion or limitation of incidental or consequential damages. So this limitation or exclusion may not apply to you.

The cost of repair or replacement under these excluded circumstances shall be borne by the customer.

DISCLAIMER OF IMPLIED WARRANTIES

IMPLIED WARRANTIES, INCLUDING ANY IMPLIED WARRANTY OF MERCHANTABILITY OR IMPLIED WARRANTY OF FITNESS FOR A PARTICULAR PURPOSE, ARE LIMITED TO ONE YEAR OR THE SHORTEST PERIOD ALLOWED BY LAW. Some states and provinces do not allow limitations on the duration of implied warranties of merchantability or fitness, so this limitation may not apply to you. This warranty gives you specific legal rights, and you also may have other rights that vary from state to state or province to province.

DISCLAIMER OF REPRESENTATIONS OUTSIDE OF WARRANTY

Midea makes no representations about the quality, durability, or need for service or repair of this major appliance other than the representations contained in this warranty. If you want a longer or more comprehensive warranty than the limited warranty that comes with this major appliance, you should ask Midea or your retailer about buying an extended warranty.

LIMITATION OF REMEDIES; EXCLUSION OF INCIDENTAL AND CONSEQUENTIAL DAMAGES

YOUR SOLE AND EXCLUSIVE REMEDY UNDER THIS LIMITED WARRANTY SHALL BE PRODUCT REPAIR AS PROVIDED HEREIN. MIDEA SHALL NOT BE LIABLE FOR INCIDENTAL OR CONSEQUENTIAL DAMAGES. Some states and provinces do not allow the exclusion or limitation of incidental or consequential damages, so these limitations and exclusions may not apply to you. This warranty gives you specific legal rights, and you also may have other rights that vary from state to state or province to province.

05/19

EN

LANGUES

EN Anglais

FR Français

ES Espagnol

**Extension gratuite
de 3 mois de la période
de garantie limitée initiale***
Envoyez simplement une
photo de votre preuve d'achat
par message texte au :

1-844-224-1614

*L'extension de garantie porte sur les trois mois
suivant immédiatement
la fin de la période de garantie initiale du produit.
Les particuliers n'ont pas besoin d'enregistrer le
produit pour obtenir tous les droits et recours des
propriétaires enregistrés en vertu de la garantie
limitée d'origine.

LETTRÉ DE REMERCIEMENT

Nous vous remercions d'avoir choisi Midea ! Avant d'utiliser votre nouveau produit Midea, veuillez lire attentivement ce manuel afin de vous assurer que vous maîtrisez les caractéristiques et les fonctions de votre nouvel appareil en toute sécurité.

SOMMAIRE

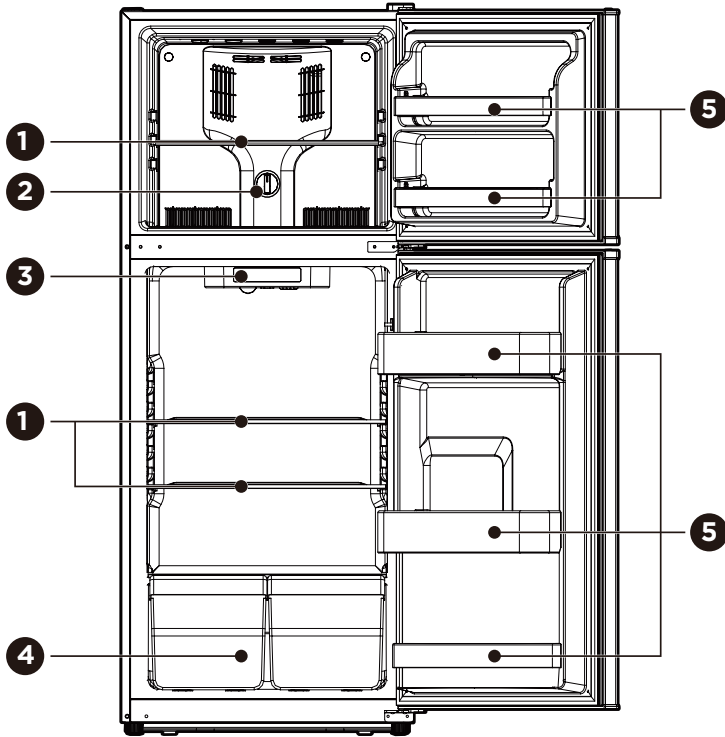
LETTRÉ DE REMERCIEMENT	02
CARACTÉRISTIQUES	03
PRÉSENTATION DU PRODUIT	04
INSTALLATION DU PRODUIT.....	05
INSTRUCTIONS D'UTILISATION	11
NETTOYAGE ET ENTRETIEN.....	14
DÉPANNAGE	16
GARANTIE	18

CARACTÉRISTIQUES

Tension nominale	115V-
Fréquence nominale	60Hz
Courant nominal	1.4A
Puissance de dégivrage	160W
Quantité de réfrigérant	R600a, 1.48oz(42g)
Agent moussant	Cyclopentane

PRÉSENTATION DU PRODUIT

Noms des composants



- | | | | |
|---|---|---|-------------------------|
| 1 | Étagère | 4 | Bac à fruits et légumes |
| 2 | Régulateur de la température du congélateur | 5 | Plateau de porte |
| 3 | Panneau de contrôle de l'affichage | | |

● ATTENTION

L'image ci-dessus est donnée uniquement à titre de référence. La configuration réelle dépend du produit physique ou de la notice du distributeur.

INSTALLATION DU PRODUIT

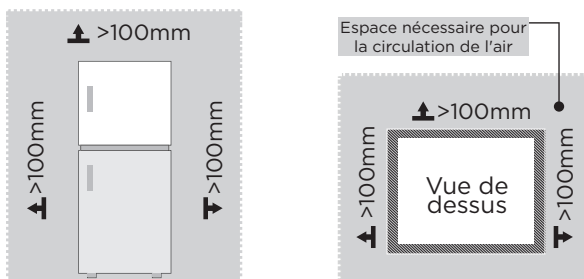
Instructions d'installation

Trouver un emplacement approprié

- Ce réfrigérateur est conçu pour être posé debout et ne doit pas être encastré.
- Le congélateur doit être placé à l'intérieur dans un endroit bien ventilé ; le sol doit être plat et solide.
- Tenez à l'écart de la chaleur et évitez la lumière directe du soleil. Ne placez pas le congélateur dans des endroits humides ou aqueux pour éviter la rouille ou la réduction de l'isolation.

Dimensions et dégagements

- Une distance trop petite des éléments adjacents peut entraîner une dégradation de la capacité de congélation et une augmentation des coûts d'électricité. Laissez plus de 100 mm de dégagement à partir de chaque mur adjacent lors de l'installation de l'appareil.



FR

Assurer une alimentation électrique adéquate

- Vérifiez votre source d'alimentation locale. Ce congélateur nécessite une alimentation électrique 115 V, 60 Hz.
- Utilisez une prise qui accepte la broche de mise à la terre. Le cordon d'alimentation est équipé d'une fiche à trois broches (mise à la terre) qui s'adapte à une prise murale standard à trois broches (mise à la terre) afin de minimiser les risques d'électrocution liés à ce réfrigérateur.



ATTENTION

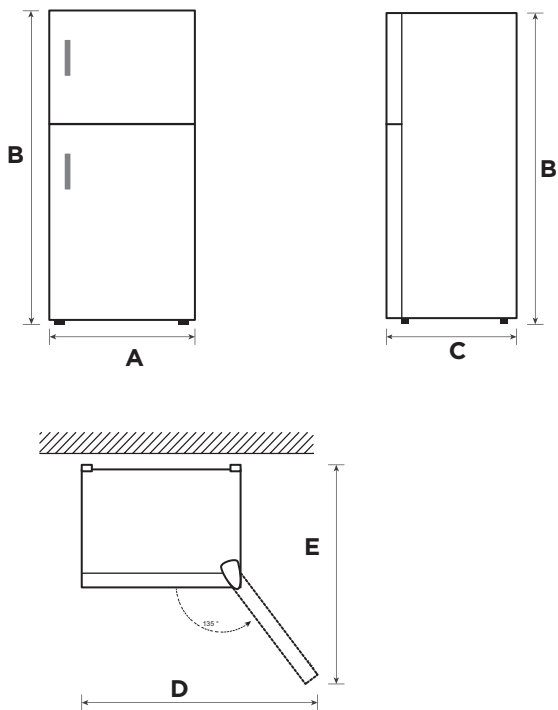
Le réfrigérateur doit toujours être branché sur une prise électrique individuelle dont la tension correspond à celle indiquée sur la plaque signalétique.

Ne débranchez jamais votre réfrigérateur en tirant sur le cordon d'alimentation. Il faut toujours tenir fermement la fiche et la tirer tout droit hors de la prise.

Première utilisation

- Avant la première utilisation, le congélateur doit rester debout pendant une demi-heure avant de brancher l'alimentation.
- Le congélateur doit fonctionner 2 à 3 heures avant de charger des aliments frais ou surgelés ; il doit fonctionner pendant plus de 4 heures en été, étant donné que la température ambiante est élevée.

Diagramme d'encombrement (porte ouverte et fermée)



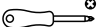
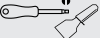
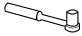

FR

Largeur	Hauteur totale	Profondeur	Largeur des portes ouvertes à 135°	Profondeur des portes ouvertes à 135°
A	B	C	D	E
610	1519	733	1029	1166

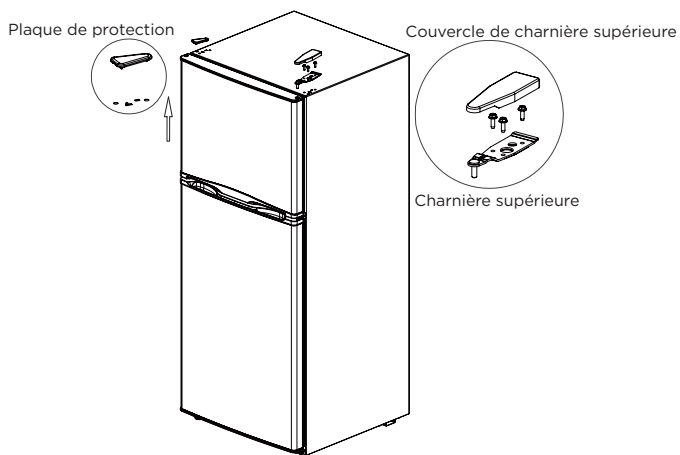
Remarque : Toutes les dimensions sont en mm

Inverser l'ouverture de la porte (facultatif)

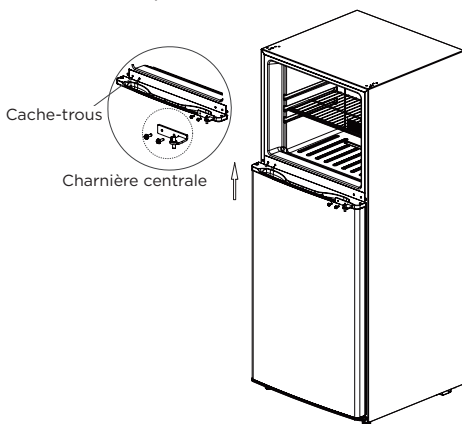
Liste des outils à fournir par l'utilisateur

	Clé Allen-Tournevis cruciforme
	Tournevis à lame mince pour couteau à mastic
	Clé à douille 5/16"
	Bande de masquage

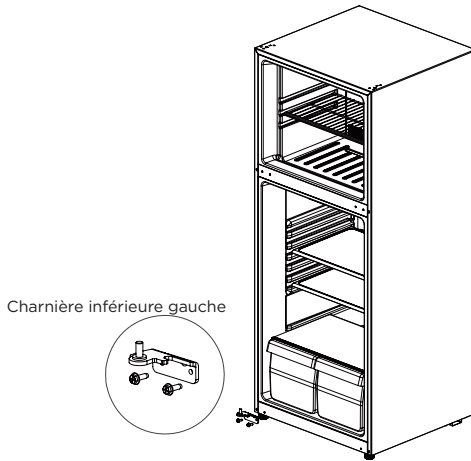
1. Débranchez votre réfrigérateur et retirez tous les aliments des étagères de la porte. Enlevez tous les aliments de la cuve intérieure de la porte. Fixez la porte avec du ruban adhésif.
2. Retirez la plaque de couverture et le couvercle de la charnière supérieure, puis dévissez les vis et retirez la charnière supérieure. Gardez les vis pour les réutiliser.



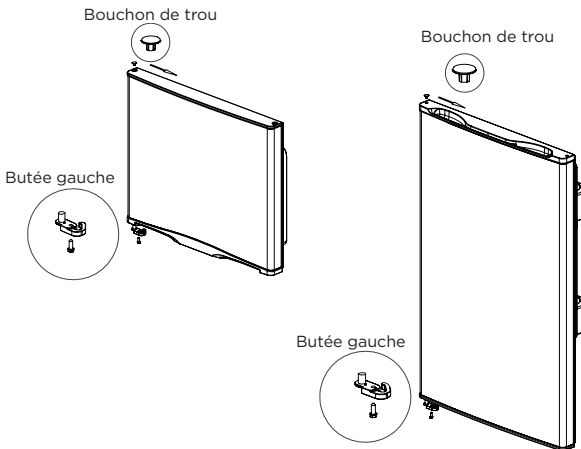
3. Soulevez la porte du congélateur et éloignez-la de votre réfrigérateur.
4. Dévissez les vis de la charnière centrale, retirez la charnière, les capuchons des trous de l'autre côté, puis soulevez la porte du réfrigérateur et l'éloigner du frigo. Conservez les vis pour les réutiliser.



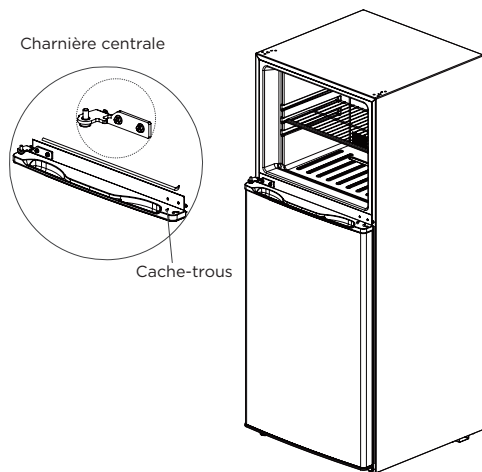
5. Dévissez les vis de la charnière inférieure droite, puis retirez cette dernière du côté inférieur droit du frigo.
6. Sortez la charnière inférieure gauche de l'autre côté du sac d'accessoires, puis l'assembler.



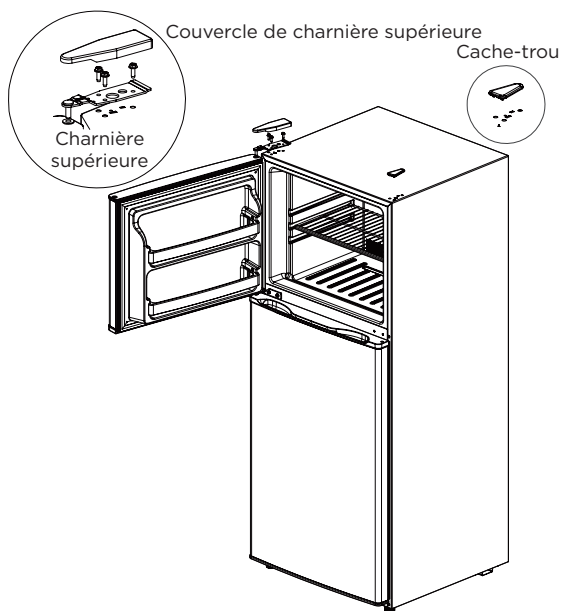
7. Enlevez le capuchon du trou supérieur de la porte du congélateur et du frigo et les installer de l'autre côté.
8. Retirez la butée droite du bas des portes du congélateur et du frigo. Retirez les butées gauches de la porte du congélateur et du frigo du sac d'accessoires et les installer de l'autre côté des portes.



9. Installez la charnière inférieure gauche de la porte du frigo, assemblez la charnière centrale, les capuchons des trous de l'autre côté.



10. Abaissez la porte du congélateur sur la charnière centrale, remettez la charnière supérieure, le couvercle de la charnière supérieure et la plaque de couverture.



FR

ATTENTION

L'image ci-dessus est donnée uniquement à titre de référence. La configuration réelle dépend du produit physique ou de la notice du distributeur.



Pieds réglables

L'appareil doit être à niveau pour éviter toute vibration.

Il faut tenir compte de l'uniformité du sol dans la mise à niveau.

L'avant de la porte doit être légèrement plus haut que l'arrière pour faciliter sa fermeture.

Les vis de mise à niveau peuvent être facilement tournées en inclinant légèrement l'appareil.

Tournez les vis de mise à niveau dans le sens antihoraire  pour soulever l'appareil, dans le sens horaire  pour l'abaisser.

Changement de l'ampoule

Tout remplacement ou entretien des lampes doit être effectué par le fabricant, son agent de service ou une personne qualifiée similaire.

Branchement de l'appareil

Après l'installation de l'appareil, branchez la fiche d'alimentation dans une prise de courant.

ATTENTION

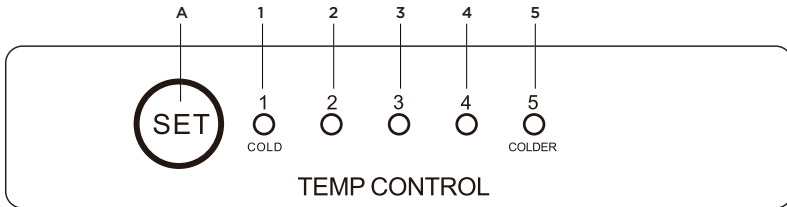
Après avoir branché la fiche d'alimentation dans une prise, il faut attendre 2 à 3 heures avant de mettre des aliments dans l'appareil. Les aliments risquent de s'abîmer si vous les mettez avant le refroidissement de l'appareil.

Conseils pour l'économie d'énergie

- L'appareil ne doit pas être placé à côté de cuisinières, radiateurs ou toute autre source de chaleur. Si la température ambiante est élevée, le compresseur fonctionne plus fréquemment et plus longtemps, ce qui entraîne une augmentation de la consommation d'énergie.
- Assurez-vous qu'il y a une ventilation suffisante au niveau de la base, sur les côtés et à l'arrière de l'appareil. Il ne faut jamais couvrir les fentes de ventilation.
- Il faut également respecter les dégagements du chapitre « Installation ».
- La disposition des bacs, étagères et balconnets de porte comme indiqué sur l'illustration offre une utilisation plus efficace de l'énergie et doit donc être conservée autant que possible. Tous les bacs et étagères doivent rester dans l'appareil pour maintenir une température stable et économiser de l'énergie.
- Pour obtenir un plus grand espace de stockage (par exemple pour les gros produits réfrigérés/congelés), les bacs du milieu peuvent être retirés. Les bacs supérieurs et inférieurs et les étagères doivent être retirés en dernier si nécessaire.
- Un compartiment réfrigérateur/congélateur rempli uniformément contribue à une utilisation optimale de l'énergie. Ainsi, il faut éviter les compartiments vides ou à moitié vides.
- Laissez refroidir les aliments chauds avant de les mettre dans le réfrigérateur/congélateur. Les aliments déjà augmentent l'efficacité énergétique.
- Les aliments congelés doivent être décongelés dans le réfrigérateur. La froideur des aliments congelés réduit la consommation d'énergie dans le réfrigérateur et augmente ainsi l'efficacité énergétique.
- Ouvrez la porte aussi brièvement que nécessaire pour minimiser toute perte de froid. L'ouverture/fermeture de la porte brièvement réduit la consommation d'énergie.
- Les joints de porte de l'appareil doivent être parfaitement intacts pour faciliter la fermeture des portes et éviter que la consommation d'énergie ne soit pas augmentée inutilement.

INSTRUCTIONS D'UTILISATION

Panneau de commande



Touche

- A. Bouton de réglage

Écran

- Réglage 1 : Voyant COLD DEL1
- Réglage 2 : Voyant DEL2
- Réglage 3 : Voyant DEL3
- Réglage 4 : Voyant DEL4
- Réglage 5 : Voyant COLDER DEL5

Écran

- Une fois allumé, l'afficheur s'allume complètement pendant 3 secondes (y compris les témoins), puis le frigo se met en marche selon le réglage 3.

Affichage de fonctionnement normal

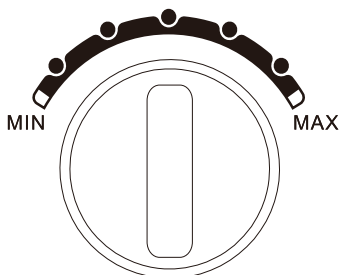
- En cas de panne, le témoin approprié s'allume avec le code de panne (affichage cyclique).
- En cas d'absence de panne, la température réelle du frigo sera affichée.

Réglage de la température

- À chaque pression du bouton de réglage de la température (SET), celle-ci change par incrément.
- Une fois le réglage de la température terminé, le réfrigérateur se met en marche selon la valeur réglée après 5 secondes. De gauche à droite, la température est plus basse.
- L'ordre des réglages du froid est le suivant :



Réglage de la température du congélateur



CONTRÔLE DE LA TEMPÉRATURE

- Tournez les commandes pour régler la température du congélateur.
- Placez les aliments congelés dans le congélateur le plus rapidement possible après leur achat. Respectez la durée de conservation indiquée sur l'emballage des aliments. La durée de conservation des aliments surgelés varie et la durée de conservation recommandée ne doit pas être dépassée.
- Lorsque le réfrigérateur est réglé sur la position MAX, la température de la chambre de congélation est plus froide, mais la capacité de refroidissement envoyée à la chambre de réfrigération est plus faible.

FR

Indication de panne

- Les avertissements suivants, qui apparaissent à l'écran, indiquent les défauts correspondants du réfrigérateur. Bien que le réfrigérateur puisse encore avoir une fonction de refroidissement et de congélation avec les défauts suivants, l'utilisateur doit contacter un spécialiste de la maintenance pour l'entretien, afin de garantir une utilisation normale du réfrigérateur.

Code d'erreur	Description du défaut
Voyant DEL1 et voyant DEL2	Circuit de la sonde de température du réfrigérateur
Voyant DEL1 et voyant DEL3	Sonde de dégivrage du congélateur
Voyant DEL1 et voyant DEL4	Sonde de température ambiante

Conseils pour la conservation des aliments

Compartiment du congélateur

- Le congélateur est destiné au stockage d'aliments à long terme congelés à très basse température, et à la production de glace.
- N'utilisez les balconnets de porte du congélateur que pour stocker des aliments congelés, et non pour des aliments chauds destinés à être congelés.
- Ne mettez pas les aliments frais et congelés les uns à côté des autres. Les aliments congelés peuvent fondre.
- Lorsque vous congelez des aliments frais (viande, poisson ou viande hachée), il faut les couper en morceaux pouvant être utilisés en même temps.
- Conservation des aliments congelés : des instructions sont généralement indiquées sur les emballages, qui doivent être respectées. S'il n'y a aucune information sur l'emballage, les aliments ne doivent pas être conservés plus de trois mois à compter de la date d'achat.
- Lors de l'achat d'aliments congelés, il faut s'assurer qu'ils ont été congelés à une température appropriée et que l'emballage n'est pas endommagé.
- Les aliments congelés doivent être conservés dans des emballages appropriés pour en conserver la qualité et doivent être remis dans le compartiment congélateur dès que possible.
- Si un emballage d'aliments congelés présente de l'humidité ou un renflement anormal, il est probable qu'il ait été conservé à la mauvaise température et que le contenu soit abîmé.
- La durée de conservation des aliments congelés dépend de la température ambiante, du réglage du thermostat, de la fréquence d'ouverture de la porte du congélateur, du type d'aliment et du temps de transport du magasin jusqu'à chez vous. Suivez toujours les instructions de l'emballage et ne dépassez jamais la durée de stockage maximale indiquée.

FR

Compartiment de refroidissement

- Pour réduire l'humidité et l'accumulation de glace qui en résulte, ne mettez jamais de liquide dans le réfrigérateur dans des récipients non fermés hermétiquement. La gelée a tendance à se concentrer dans les parties les plus froides de l'évaporateur. Le stockage de liquides non couverts entraîne une décongélation plus fréquente.
- Ne mettez jamais d'aliments chauds dans le réfrigérateur. Ceux-ci doivent d'abord être refroidis à température ambiante, puis placés de manière à assurer une circulation d'air adéquate dans le réfrigérateur.
- Les aliments et les récipients ne doivent pas toucher la paroi arrière du réfrigérateur car ils pourraient geler. Il ne faut pas ouvrir régulièrement la porte du réfrigérateur.
- La viande et le poisson écaillé (placés dans un emballage ou une feuille de plastique) placés au réfrigérateur peuvent être utilisés dans 1 ou 2 jours.
- Les fruits et légumes sans emballage peuvent être placés dans la partie réservée aux fruits et légumes frais.

ATTENTION

Le réglage optimal de la température de chaque compartiment dépend de la température ambiante. La température optimale ci-dessus est basée sur une température ambiante de 25°C.

NETTOYAGE ET ENTRETIEN

Décongélation

- Le réfrigérateur est fabriqué selon le principe de refroidissement par air et dispose donc d'une fonction de dégivrage automatique. Le givre formé en raison du changement de saison ou de température peut également être éliminé manuellement en débranchant l'appareil ou en l'essuyant avec une serviette sèche.

Arrêt de fonctionnement

Panne de courant :

- En cas de panne de courant, même en été, les aliments à l'intérieur de l'appareil peuvent être conservés plusieurs heures ; pendant la panne de courant, les heures d'ouverture de la porte doivent être réduites et aucun aliment frais ne doit plus être mis dans l'appareil.

Longue période de non utilisation :

- L'appareil doit être débranché avant doit être nettoyé ; laissez es portes ouvertes pour éviter les odeurs.

Déplacement :

- Avant de déplacer le réfrigérateur, mettez tous les objets à l'envers, fixez les cloisons en verre, le bac à légumes, les tiroirs de la chambre de congélation, etc. avec du ruban adhésif, et serrez les pieds de nivellement ; fermez les portes et les fixer avec du ruban adhésif. Pendant le déplacement, l'appareil ne doit pas être posé à l'envers ou horizontalement ni être soumis à des vibrations ; l'inclinaison pendant le mouvement ne doit pas dépasser 45°.

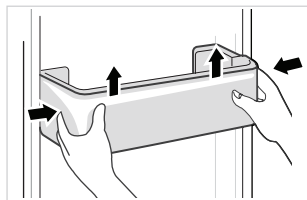
ATTENTION

Une fois mis en marche, l'appareil doit fonctionner en continu. En règle générale, le fonctionnement de l'appareil ne doit pas être interrompu ; autrement sa durée de vie peut être réduite.

Les aliments peuvent être conservés pendant quelques heures même en été en cas de panne de courant, il est recommandé de réduire la fréquence d'ouverture de la porte.

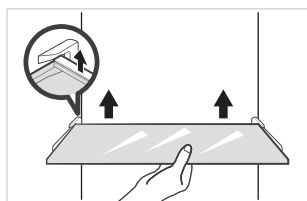
Nettoyage du plateau de porte

- Selon la flèche de direction dans la figure ci-dessous, utilisez les deux mains pour presser le plateau et poussez-le vers le haut pour pouvoir le sortir par la suite.
- Après avoir lavé le plateau retiré, vous pouvez ajuster sa hauteur en fonction de vos besoins.



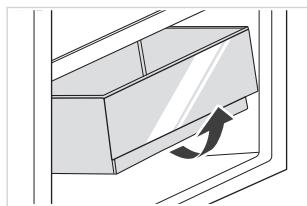
Nettoyage de l'étagère en verre

- Comme la partie la plus interne de la cuve du réfrigérateur, où se trouvent les étagères, est dotée d'une butée arrière, vous devez soulever les étagères vers le haut pour pouvoir les retirer.
- Ajustez ou nettoyez les étagères en fonction de vos besoins.



Nettoyage du bac à légumes

- Retirez le contenu du bac. Tenez la poignée du bac à légumes et tirez complètement jusqu'à ce qu'il s'arrête.
- Soulevez le bac à légumes et le retirer en le tirant vers l'extérieur.



FR

⚠ ATTENTION

Pour le nettoyage, nous recommandons des serviettes douces ou une éponge trempée dans de l'eau et des détergents neutres non corrosifs. Le congélateur doit être finalement nettoyé à l'eau claire et avec un chiffon sec. Ouvrez la porte pour un séchage naturel avant de mettre l'appareil sous tension. N'utilisez pas de brosses dures, de billes de nettoyage en acier, de brosses métalliques, d'abrasifs tels que le dentifrice, de solvants organiques (tels que l'alcool, l'acétone, l'huile de banane, etc.), de l'eau bouillante, des produits acides ou alcalins ; nettoyez le congélateur en sachant que cela peut endommager la surface et l'intérieur du congélateur.

DÉPANNAGE

Les problèmes simples suivants peuvent être traités par l'utilisateur. Appelez le service après-vente si ces problèmes ne sont pas réglés.

Problème	Cause possible
Échec de l'opération	• Vérifiez si l'appareil est branché au secteur ou si la fiche est bien en contact
	• Vérifiez si la tension est trop basse
	• Vérifiez s'il y a une panne de courant ou des circuits partiels se sont déclenchés
Odeur	• Les aliments susceptibles d'émettre des odeurs doivent être bien enveloppés
	• Vérifiez s'il y a des aliments pourris
	• Nettoyez l'intérieur du réfrigérateur
Compresseur fonctionnant pendant une longue période	• Un long fonctionnement du réfrigérateur est normal en été
	• Lorsque la température ambiante est élevée, il n'est pas recommandé d'avoir trop d'aliments dans l'appareil en même temps
	• Les aliments doivent refroidir avant d'être mis dans l'appareil
	• Les portes sont ouvertes trop fréquemment
La lumière ne s'allume pas	• Vérifiez si le réfrigérateur est branché à l'alimentation électrique et si la lumière est endommagée
	• Faites remplacer la lumière par un professionnel
La porte ne peut pas être correctement fermée	• La porte est coincée par des aliments. Trop d'aliments sont placés
	• Le réfrigérateur est incliné
Bruits forts	• Vérifiez si le sol est bien horizontal et si le réfrigérateur est placé de manière stable
	• Vérifiez si les accessoires sont placés aux bons endroits

Problème	Cause possible
Le joint de la porte n'est pas serré	<ul style="list-style-type: none"> • Éliminez tout corps étranger sur le joint de la porte • Chauffez le joint de la porte, puis le refroidir pour le restaurer (ou soufflez dessus avec un séchoir électrique ou utilisez une serviette chaude)
Débordement du bac à eau	<ul style="list-style-type: none"> • Il y a trop d'aliments dans la chambre ou les aliments stockés contiennent trop d'eau, cela entraîne un fort dégivrage • Les portes ne sont pas fermées correctement, cela entraîne un dégivrage dû à l'entrée d'air et une augmentation d'eau
Boîtier chaud	<ul style="list-style-type: none"> • La dissipation de la chaleur du condenseur intégré via le boîtier est normale. Lorsque le boîtier devient chaud en raison d'une température ambiante élevée, du stockage d'une trop grande quantité d'aliments ou de l'arrêt du compresseur, il faut prévoir une bonne ventilation pour faciliter la dissipation de la chaleur
Condensation de surface	<ul style="list-style-type: none"> • La condensation sur la surface extérieure et les joints de porte du réfrigérateur est normale lorsque l'humidité ambiante est trop élevée. Il suffit d'essuyer la condensation avec une serviette propre.
Bruit anormal	<ul style="list-style-type: none"> • Vrombissement : Le compresseur peut produire des vrombissements qui sont forts en particulier au démarrage ou à l'arrêt. C'est normal. • Craquements : Le fluide frigorigène qui circule à l'intérieur de l'appareil peut produire des craquements, ce qui est normal.

GARANTIE

GARANTIE LIMITÉE RÉFRIGÉRATEUR MIDEA

ATTACHEZ VOTRE REÇU AUX PRÉSENTES. UNE PREUVE D'ACHAT EST REQUISE POUR OBTENIR UN SERVICE TECHNIQUE COUVERT PAR LA GARANTIE.

Veuillez disposer des renseignements suivants lorsque vous appelez le Centre de service à la clientèle :

- Vos nom, adresse et numéro de téléphone
- Le numéro de modèle et le numéro de série de votre appareil
- Une description claire et détaillée du problème
- Une preuve d'achat, notamment le nom et l'adresse du concessionnaire ou du détaillant

SI VOUS AVEZ BESOIN D'UN SERVICE TECHNIQUE :

1. Avant de communiquer avec nous pour organiser un service technique, déterminez si votre produit doit être réparé. Quelques problèmes peuvent être résolus sans service technique. Prenez quelques minutes pour revoir le chapitre Dépannage du guide de l'utilisateur, ou consultez <https://www.midea.com/ca/support>
2. Tout service technique couvert par la garantie est assuré exclusivement par nos prestataires de service technique Midea autorisés, aux États-Unis et au Canada.

Service à la clientèle Midea

Aux États-Unis ou au Canada, appelez le 1-866-646-4332.

Si vous résidez hors des 50 États des États-Unis ou hors du Canada, communiquez avec votre concessionnaire Midea autorisé pour déterminer si une autre garantie s'applique.

1 AN PIÈCES ET MAIN-D'ŒUVRE

CE QUE LA GARANTIE COUVRE

GARANTIE LIMITÉE POUR LA PREMIÈRE ANNÉE (PIÈCES ET MAIN-D'ŒUVRE)

Midea réparera ou remplacera, sans frais, toute défaillance provoquée par une fabrication ou des matériaux défectueux, pendant un an à compter de la date d'achat. Pour de plus amples renseignements sur la couverture de la garantie et les réparations sous garantie, visitez <https://www.midea.com/ca> ou composez **1-866-646-4332**.

Le consommateur sera responsable des :

- Coûts associés aux diagnostics, au retrait, au transport et à la réinstallation suite à l'entretien.
- Coûts d'entretien résultant des points figurant sous **RESPONSABILITÉS NORMALES DU CONSOMMATEUR****

RESPONSABILITÉS NORMALES DU CONSOMMATEUR**

Cette garantie s'applique uniquement aux produits faisant l'objet d'une utilisation résidentielle normale, et le consommateur est responsable des points suivants :

1. Utilisation appropriée de l'appareil, respectant les directives fournies avec le produit.
2. Entretien périodique et nettoyage requis pour maintenir l'appareil en bon état de fonctionnement.
3. Installation appropriée par un professionnel agréé, respectant les directives fournies avec l'appareil et les codes municipaux en matière de plomberie, électricité et/ou gaz.
4. Branchement approprié à une prise électrique mise à la terre, fournissant un courant suffisant; remplacement des fusibles brûlés; réparation des connexions desserrées ou des défauts au niveau des installations électriques.
5. Dépenses requises pour rendre l'appareil accessible pour l'entretien.
6. Dommages sur le revêtement suite à l'installation.

VOTRE RECOURS UNIQUE ET EXCLUSIF EN VERTU DE LA PRÉSENTE GARANTIE LIMITÉE EST LA RÉPARATION OU LE REMPLACEMENT DU PRODUIT, COMME PRÉVU AUX PRÉSENTES. Le service technique doit être assuré par une entreprise d'entretien désignée par Midea. La garantie limitée est valide uniquement dans les 50 états des États-Unis ou au Canada et s'applique uniquement si l'appareil ménager est utilisé dans le pays où il a été acheté. La présente garantie limitée entre en vigueur à compter de la date de l'achat original de l'appareil ménager par le consommateur. Une preuve de la date de l'achat original doit être présentée pour obtenir un service technique en vertu de la présente garantie limitée.

CE QUE LA GARANTIE NE COUVRE PAS

1. Une défectuosité causée par un dommage survenu depuis que l'appareil est en votre possession (autre que les dommages causés par un défaut ou un mauvais fonctionnement), par une installation inadéquate, ou par une utilisation non raisonnable du produit, incluant et sans s'y limiter, le défaut d'assurer un entretien raisonnable et nécessaire ou de suivre les directives écrites et de lire le manuel d'instructions.
2. Les produits achetés "tels quels" ou les produits réusinés ne sont pas couverts par cette garantie.
3. La perte de nourriture suite à une défectuosité du réfrigérateur ou du congélateur.
4. Les visites d'entretien pour réparer ou remplacer les pièces d'entretien normal comme les filtres hydrauliques, les ampoules, les filtres pneumatiques, etc., ou les poignées, les boutons ou autres pièces esthétiques.
5. Les produits ayant été transférés de leur propriétaire original.
6. La rouille à l'extérieur ou à l'intérieur de l'appareil.
7. Les dommages causés par l'entretien effectué par une personne autre qu'un professionnel agréé Midea; l'utilisation de pièces autres que les pièces de rechange Midea ou obtenues par des personnes autres que le service à la clientèle Midea; les causes externes comme l'abus, la mauvaise utilisation, l'alimentation inadéquate ou tout événement de force majeure.
8. L'entretien résultant d'une installation inappropriée de votre produit.
9. La visite servant à vous enseigner l'utilisation de votre produit.
10. Les suppléments, incluant, mais sans s'y limiter, tout appel de service après les heures normales, les week-ends ou les jours fériés, les péages, les frais de transport, le kilométrage pour tout appel de service dans une région éloignée, y compris en Alaska.
11. Si cet appareil est utilisé pour des raisons commerciales, locatives ou autre application qui n'est pas vouée à une utilisation résidentielle, nous ne formulons aucune garantie, explicite ou implicite de valeur marchande ou d'adéquation à un usage particulier.
12. Si le produit a été déplacé hors des États-Unis ou du Canada.
13. Si le produit n'affiche pas le numéro de série original ou si ce dernier a été altéré ou ne peut être facilement reconnu.

REMARQUE : Certains états n'acceptent pas l'exclusion ou la restriction des dommages indirects ou accessoires. Ainsi, cette exclusion ou restriction pourrait ne pas s'appliquer à vous.

Dans ces circonstances exclues, le coût des réparations ou du remplacement du produit sera assumé par le client.

DÉNÉGATION DE GARANTIES IMPLICITES

LES GARANTIES IMPLICITES, Y COMPRIS TOUTE GARANTIE IMPLICITE DE QUALITÉ MARCHANDE OU GARANTIE IMPLICITE D'APTITUDE À UN EMPLOI PARTICULIER, SONT LIMITÉES À UNE PÉRIODE D'UN AN OU À LA PÉRIODE LA PLUS COURTE PERMISE PAR LA LOI. Quelques états et provinces ne permettent pas l'imposition d'une limite à la durée des garanties implicites de qualité marchande ou d'aptitude à l'emploi et, par conséquent, il est possible que cette limitation ne vous concerne pas. La présente garantie vous confère certains droits légaux. Vous pouvez également jouir d'autres droits, lesquels varient d'un état à l'autre ou d'une province à l'autre.

DÉNÉGATION DE DÉCLARATIONS NE RELEVANT PAS DE LA GARANTIE

Midea ne fait aucune déclaration concernant la qualité ou la durabilité de cet appareil ménager, ni son besoin de service technique ou de réparation, à part les déclarations formulées dans la présente garantie. Si vous souhaitez une garantie plus longue ou plus complète que la garantie limitée qui accompagne cet appareil ménager, veuillez communiquer avec Midea ou votre détaillant au sujet de l'achat d'une prolongation de garantie.

LIMITATION DES RECOURS; EXCLUSION DES DOMMAGES ACCESSOIRES ET DES DOMMAGES INDIRECTS

VOTRE RECOURS UNIQUE ET EXCLUSIF EN VERTU DE LA PRÉSENTE GARANTIE LIMITÉE EST LA RÉPARATION DU PRODUIT PAR MIDEA, COMME PRÉVU AUX PRÉSENTES. MIDEA N'EST PAS RESPONSABLE DES DOMMAGES ACCESSOIRES ET INDIRECTS. Quelques états et provinces ne permettent pas l'exclusion ou la limitation de dommages accessoires ou indirects et, par conséquent, il est possible que ces limitations et ces exclusions ne vous concernent pas. La présente garantie vous confère certains droits légaux. Vous pouvez également jouir d'autres droits, lesquels varient d'un état à l'autre ou d'une province à l'autre.

FR

IDIOMAS

EN Inglés

FR Francés

ES Español

**¡Extensión gratuita
de 3 meses del período
original de la garantía
limitada! Simplemente envíe
una foto de su comprobante
de compra al:**

1-844-22 4-1614

*La extensión de la garantía es por los tres meses inmediatamente posteriores a la finalización del período de la garantía original del producto.

No es necesario que las personas registren el producto para obtener todos los derechos y recursos de los propietarios registrados en virtud de la garantía limitada original.

NOTA DE AGRADECIMIENTO

¡Gracias por elegir Midea! Antes de usar su nuevo producto Midea, lea atentamente este manual para operar de forma segura las características y funciones que ofrece su nuevo electrodoméstico.

CONTENIDO

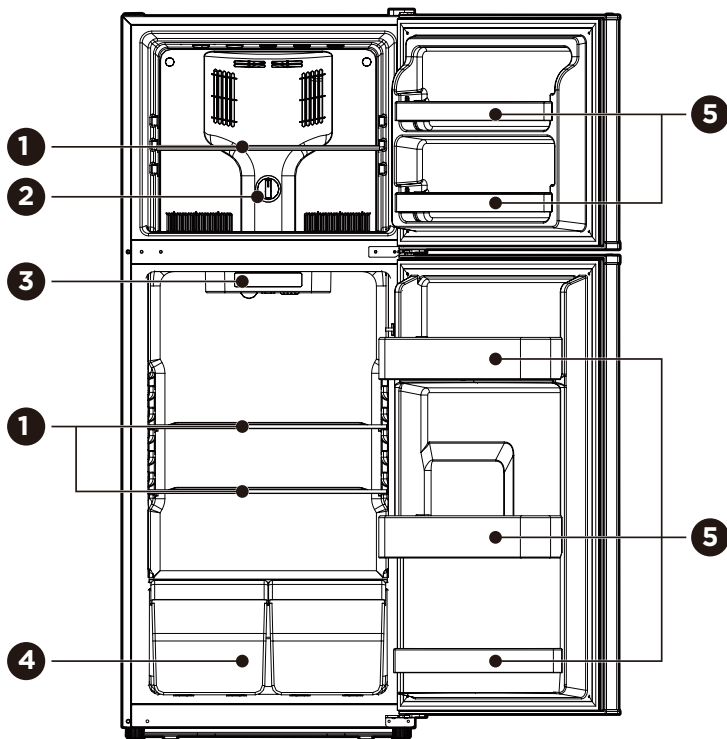
NOTA DE AGRADECIMIENTO	02
ESPECIFICACIONES	03
DESCRIPCIÓN DEL PRODUCTO	04
INSTALACIÓN DEL PRODUCTO	05
INSTRUCCIONES DE OPERACIÓN	11
LIMPIEZA Y MANTENIMIENTO	14
RESOLUCIÓN DE PROBLEMAS	16
GARANTÍA	18

ESPECIFICACIONES

Tensión nominal	115V-
Frecuencia nominal	60Hz
Corriente nominal	1.4A
Potencia de descongelación	160W
Refrigerante, cantidad	R600a, 1.48oz(42g)
Agente espumante	Ciclopentano

DESCRIPCIÓN DEL PRODUCTO

Nombres de los componentes



- | | | | |
|---|--|---|------------------------------|
| 1 | Estante | 4 | Cajón para frutas y verduras |
| 2 | Control de la temperatura del congelador | 5 | Bandeja de la puerta |
| 3 | Pantalla del panel de control | | |

CUIDADO

La imagen que aparece arriba solo es de referencia. La configuración real dependerá del producto físico o declaración por parte del distribuidor.

INSTALACIÓN DEL PRODUCTO

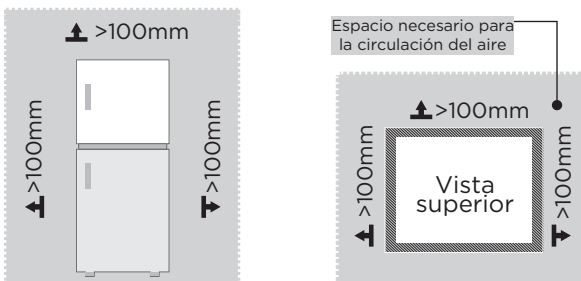
Instrucciones de instalación

Busque un lugar adecuado

- Este refrigerador está diseñado solo para estar de pie y no debe quedar encerrado ni empotrado.
- El Refrigerador debe colocarse en un lugar interior bien ventilado; el suelo debe ser plano y resistente.
- Manténgalo alejado del calor y evite la luz solar directa. No coloque el Refrigerador en espacios húmedos o con agua para prevenir el óxido o la reducción del efecto de aislamiento.

Dimensiones y espacios despejados

- Una distancia demasiado pequeña entre el refrigerador y los elementos adyacentes puede provocar la degradación de la capacidad de congelación y un aumento de los costos de electricidad. Al instalar el refrigerador, deje más de 100mm de espacio despejado entre el aparato y cada pared adyacente.



ES

Procure contar con una fuente de alimentación adecuada

- Revise su fuente local de energía. Este refrigerador requiere 115 V, 60 Hz de corriente.
- Utilice una toma de corriente que acepte la clavija de conexión a tierra. El cable de alimentación está equipado con un enchufe de 3 clavijas (conexión a tierra) que se acopla a una toma de corriente de pared estándar de 3 clavijas (conexión a tierra) para minimizar la posibilidad de riesgo de descarga eléctrica de este refrigerador.

PRECAUCIÓN

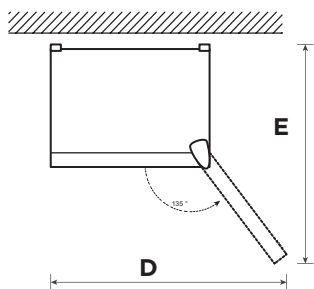
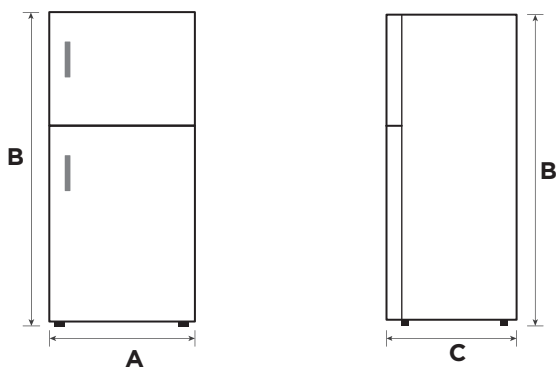
El refrigerador siempre debe estar enchufado en una toma de corriente exclusiva que tenga una clasificación de voltaje que coincida con la placa de clasificación.

Nunca tire del cable para desenchufar el refrigerador. Siempre agarre el enchufe y tire de él firmemente.

Empiece a usar el producto

- Después de instalarlo, deje reposar el refrigerador por media hora antes de conectarlo a la corriente y usarlo por primera vez.
- El Refrigerador deberá funcionar de 2 a 3 horas antes de cargar alimentos frescos o congelados; en verano, el aparato debe funcionar durante más de 4 horas con anticipación considerando que la temperatura ambiente es alta.

Diagrama de espacios necesarios (cuando la puerta está abierta y cuando la puerta está cerrada)



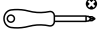
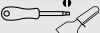
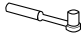

ES

Ancho	Altura total	Profundidad	Puertas en ancho abren hasta 135°	Puertas en profundidad abren hasta 135°
A	B	C	D	E
610	1519	733	1029	1166

Nota: Todas las dimensiones en mm

Cambio de la puerta de derecha a izquierda (Opcional)

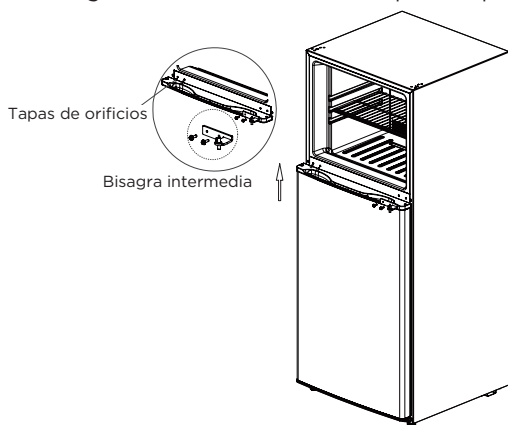
Lista de herramientas que el usuario debe proporcionar

	Llave Allen o destornillador de estrella
	Destornillador de cabeza plana tipo espátula
	Llave de dados 5/16"
	Cinta adhesiva

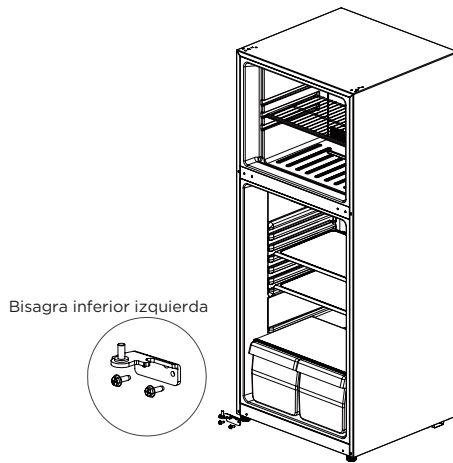
1. Desenchufe su refrigerador y retire todos los alimentos del interior. Retire todos los alimentos del interior de la puerta. Fije la puerta con cintas adhesivas.
2. Retire la placa de la cubierta y la cubierta de la bisagra superior, luego desenrosque los tornillos y retire la bisagra superior. Guarde los tornillos para un posterior uso.



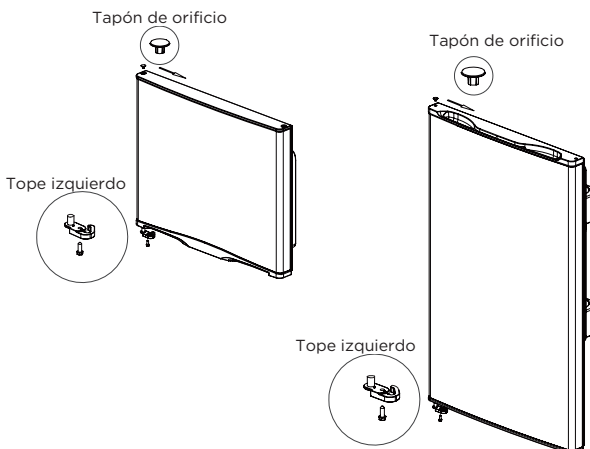
3. Levante la puerta del congelador hacia arriba y sepárela de su refrigerador.
4. Desenrosque los tornillos de la bisagra intermedia, retire la bisagra, tapas de orificios en el otro lado, y luego levante la puerta del refrigerador hacia arriba y lejos del refrigerador. Guarde los tornillos para un posterior uso.



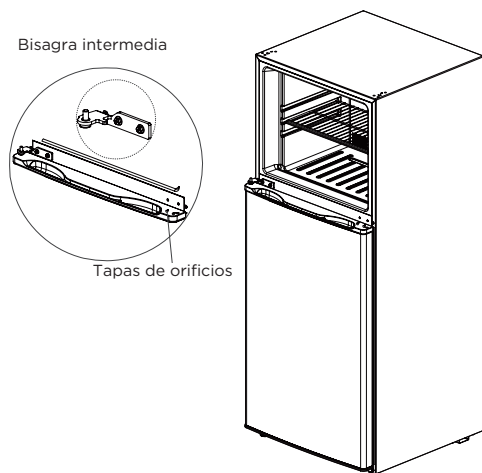
5. Desenrosque los tornillos de la bisagra inferior derecha y luego retire la bisagra inferior derecha de la parte inferior derecha del refrigerador.
6. Retire la bisagra inferior izquierda del otro lado de la bolsa de accesorios y luego ensamble la bisagra inferior izquierda.



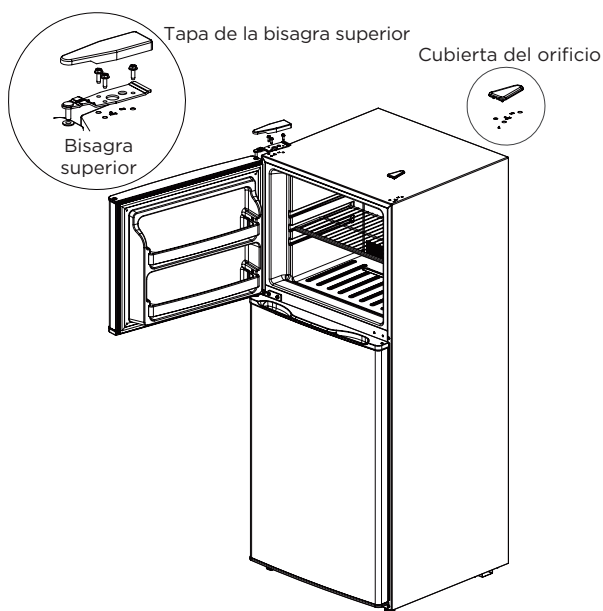
7. Desarme la tapa de orificios desde la parte superior del congelador y la puerta del refrigerador, y ensámblelos en el otro lado.
8. Retire los conjuntos de topes derechos de la parte inferior del congelador y las puertas del refrigerador. Saque los topes izquierdos del congelador y la puerta del refrigerador de la bolsa de accesorios en el refrigerador e instale en el otro lado de las puertas.



9. Coloque la puerta del refrigerador con la bisagra inferior izquierda verticalmente, ensamble la bisagra intermedia, tapas de orificios en el otro lado.



10. Coloque la puerta del congelador en la bisagra intermedia verticalmente, y ensamble la bisagra superior, la cubierta de la bisagra superior y la placa de la cubierta.



ES

● CUIDADO

La imagen que aparece arriba solo es de referencia. La configuración real dependerá del producto físico o declaración por parte del distribuidor.



Nivelado de los pies

Para evitar vibraciones, el aparato debe estar nivelado.

Si es necesario, ajuste los tornillos de nivelación para compensar un suelo irregular.

La parte frontal debe estar un poco más alta que la parte posterior para facilitar el cierre de la puerta.

Los tornillos de nivelación se pueden girar fácilmente inclinando ligeramente el gabinete.

Gire los tornillos de nivelación en sentido contrario a las agujas del reloj  para levantar el aparato, gírelos en sentido de las agujas del reloj  para bajarlo.

Cómo cambiar la lámpara

Cualquier sustitución o mantenimiento de las bombillas está previsto que lo realice el fabricante, su agente de mantenimiento o una persona con una cualificación similar.

Conexión del aparato

Después de instalar el aparato, conecte el enchufe a una toma de corriente.

ATTENTION

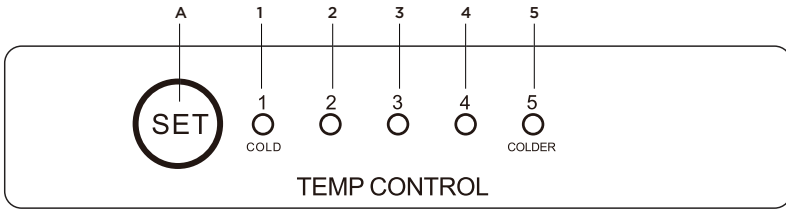
Después de conectar el cable de alimentación (o el enchufe) a la toma de corriente, espere 2 o 3 horas antes de introducir alimentos en el aparato. Si agrega alimentos antes de que el refrigerador se haya enfriado por completo, es posible que se echen a perder.

Consejos para ahorrar energía

- No coloque el aparato cerca de cocinas, radiadores u otras fuentes de calor. Si la temperatura ambiente es alta, el compresor funcionará con más frecuencia y durante más tiempo, lo que aumentará el consumo de energía.
- Asegúrese de que haya suficiente ventilación en la base, en los lados y en la parte trasera del aparato. No obstruya las aberturas de ventilación.
- Tenga en cuenta también las medidas de distancia en el capítulo "Instalación".
- La disposición de cajones, repisas y estantes, como aparece en la ilustración, permite el uso más eficiente de energía y, por lo tanto, debe aplicarse en la medida de lo posible. Todos los cajones y estantes deben permanecer en el electrodoméstico para mantener la temperatura estable y ahorrar energía.
- Para obtener un mayor espacio de almacenamiento (p. ej., para productos refrigerados/congelados grandes), los cajones intermedios se pueden quitar. Los cajones y estantes superiores e inferiores deben retirarse de último, si es necesario.
- Un compartimento refrigerador/congelador lleno uniformemente contribuye a un uso óptimo de la energía. Por lo tanto, evite los compartimentos vacíos o semivacíos.
- Deje que los alimentos calientes se enfríen antes de colocarlos en el refrigerador/congelador. Los alimentos que ya se han enfriado aumentan la eficiencia energética.
- Permita que los alimentos congelados se descongelen en el refrigerador. El frío de los alimentos congelados reduce el consumo de energía en el compartimento del refrigerador y aumenta así la eficiencia energética.
- Abra la puerta el menor tiempo posible para minimizar la pérdida de frío. Abrir la puerta brevemente y cerrarla correctamente reduce el consumo de energía.
- Las juntas de las puertas del refrigerador deben estar perfectamente intactas para que las puertas cierren correctamente y el consumo de energía no aumente innecesariamente.

INSTRUCCIONES DE OPERACIÓN

Panel de control



Botones

- A. Botón de configuración

Pantalla

- Ajuste 1: Indicador LED1 COLD
- Ajuste 2: Indicador LED2
- Ajuste 3: Indicador LED3
- Ajuste 4: Indicador LED4
- Ajuste 5: Indicador LED5 COLDER

Pantalla

- Cuando se enciende por primera vez, la pantalla (incluida la luz de los botones) muestra toda la información durante 3 segundos y luego el refrigerador funciona según el ajuste de temperatura 3.

ES

Pantalla de funcionamiento normal

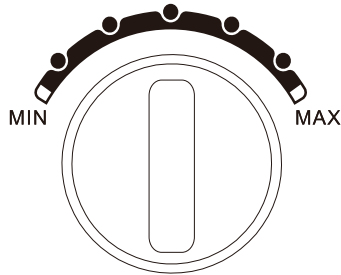
- En caso de una falla, la luz LED correspondiente muestra en combinación el código de falla (en la pantalla de reciclaje).
- En caso de que no haya fallas, se mostrará el ajuste de temperatura real del refrigerador.

Configuración de temperatura

- Cada vez que se pulsa el ajuste de temperatura (SET), el ajuste de temperatura cambia una vez.
- Una vez que se ha completado el ajuste de la temperatura, el refrigerador funcionará conforme al valor establecido después de 5 segundos. De izquierda a derecha, la temperatura es menor.
- El orden de los ajustes de frío es el siguiente:



Ajuste de la temperatura del congelador



CONTROL DE TEMPERATURA

- Gire los controles para ajustar la temperatura del congelador.
- Coloque los alimentos congelados en el congelador lo más rápido posible después de la compra. Preste atención al tiempo de almacenamiento en las instrucciones del envase de los alimentos. El tiempo de almacenamiento de los alimentos congelados varía y no se debe exceder el tiempo de almacenamiento recomendado.
- Cuando se coloca en la posición MAX, la temperatura de la cámara de congelación será más fría, pero provocará que la capacidad de refrigeración enviada a la cámara de refrigeración sea menor.

Indicador de fallos

- Las siguientes advertencias que aparecen en la pantalla indican las fallas correspondientes del refrigerador. Si bien el refrigerador aún puede tener la función de enfriamiento y congelación con las siguientes fallas, el usuario debe recurrir a un técnico especializado para realizar el mantenimiento, a fin de garantizar el uso normal del refrigerador.

Código de falla	Descripción de la falla
Indicador LED1 e indicador LED2	Circuito del sensor de temperatura del refrigerador
Indicador LED1 e indicador LED3	Sensor de descongelación del congelador
Indicador LED1 e indicador LED4	Sensor de temperatura ambiente

ES

Consejos para almacenar alimentos

Compartimento del congelador

- El congelador está diseñado para el almacenamiento de alimentos congelados a muy baja temperatura, el almacenamiento a largo plazo de alimentos congelados y para la producción de hielo.
- Utilice los compartimientos de la puerta del congelador únicamente para almacenar alimentos congelados, no para almacenar alimentos calientes en espera de congelación.
- No coloque alimentos frescos al lado de alimentos congelados. La comida congelada puede descongelarse.
- Cuando congele alimentos frescos (como carne, pescado o carne picada), córtelos en partes que se puedan usar al mismo tiempo.
- Almacenamiento de alimentos congelados: siga las instrucciones generalmente indicadas en los paquetes. Si no hay información en el empaque, los alimentos no deben almacenarse por más de tres meses a partir de la fecha de compra.
- Al comprar alimentos congelados, asegúrese de que estén congelados a una temperatura adecuada y que el empaque no esté dañado.
- Los alimentos congelados deben conservarse en envases adecuados para conservar la calidad y deben devolverse al congelador lo antes posible.
- Si un paquete de alimentos congelados muestra humedad o un abultamiento anormal, es probable que se haya almacenado a la temperatura incorrecta y que el contenido esté dañado.
- El período de almacenamiento de alimentos congelados depende de la temperatura ambiente, la configuración del termostato, la frecuencia de apertura de la puerta del congelador, el tipo de alimento y el tiempo de transporte del producto desde la tienda hasta el hogar. Siempre siga las instrucciones impresas en el paquete y nunca exceda el tiempo máximo de almacenamiento indicado en el paquete.

ES

Compartimento del refrigerador

- Para reducir la humedad y la consecuente acumulación de hielo, nunca ponga líquidos en el refrigerador en recipientes sin sellar. La escarcha tiende a concentrarse en las partes más frías del evaporador. El almacenamiento de líquidos descubiertos da como resultado una necesidad más frecuente de descongelación.
- Nunca coloque alimentos calientes en el refrigerador. Enfríelos primero a temperatura ambiente y luego colóquelos de manera que permitan una circulación de aire adecuada en el refrigerador.
- Los alimentos o los recipientes de alimentos no deben tocar la pared trasera del refrigerador porque podrían congelarse en la pared. Trate de no abrir frecuentemente la puerta del refrigerador.
- La carne y el pescado limpios (envasados en un paquete o papel de plástico) se pueden colocar en el refrigerador, y pueden consumirse en 1 o 2 días.
- Las frutas y vegetales sin envasar pueden colocarse en el compartimento destinado a las frutas y vegetales frescos.

CUIDADO

El ajuste de temperatura óptimo de cada compartimento depende de la temperatura ambiente. La temperatura superior a la óptima se basa en una temperatura ambiente de 25 °C.

LIMPIEZA Y MANTENIMIENTO

Descongelamiento

- El refrigerador está fabricado basándose en el principio de refrigeración de aire y así tiene una función de descongelación automática. El hielo formado debido al cambio de estación o temperatura asimismo puede retirarse manualmente mediante la desconexión del aparato de la alimentación o limpiándolo con una toalla seca.

No use

Fallo de alimentación:

- En caso de un fallo de alimentación, incluso en verano, los alimentos en el interior del aparato pueden mantenerse durante varias horas; durante un fallo de alimentación, se debe reducir las veces que se abre la puerta y no se deben colocar más alimentos frescos en el aparato.

Ausencia de uso prolongada:

- El aparato debe desenchufarse y después limpiarse; posteriormente, las puertas se dejan abiertas para evitar los malos olores.

Traslado:

- Antes de mover el refrigerador, extraiga todos los objetos al exterior, fije las partes de cristal, el soporte de las verduras, los cajones de la cámara de congelación, etc. con cinta y apriete los pies de nivelación; cierre las puertas y fíjelas con cinta. Durante el traslado, no se debe colocar el aparato al revés u horizontalmente o hacer que vibre; la inclinación durante el movimiento no será superior a 45°.

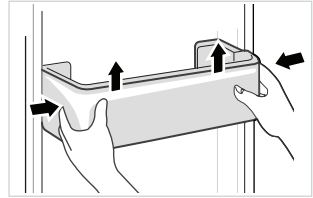
CUIDADO

El aparato debe funcionar de forma continua una vez que se enciende. En general, el funcionamiento del aparato no debe interrumpirse; el caso contrario, se puede ver alterada su vida útil.

En caso de corte de energía, los alimentos se pueden conservar durante un par de horas; evite abrir frecuentemente la puerta.

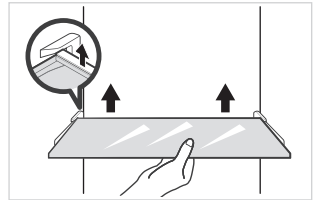
Limpeza de la bandeja de la puerta

- De acuerdo con la flecha de dirección en la figura a continuación, use ambas manos para primero apretar la bandeja, empujarla hacia arriba y luego sacarla.
- Una vez retirada la bandeja de lavado, ajuste su altura de instalación de acuerdo con sus necesidades.



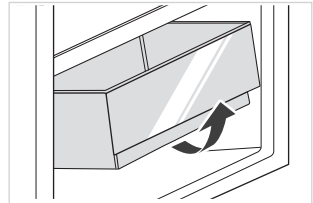
Limpeza del estante de vidrio

- La parte más interna del revestimiento del refrigerador en contacto con las repisas tiene un tope trasero, por lo que primero debe levantar las repisas hacia arriba para recién después retirarlas.
- Ajuste o limpie las repisas según sea necesario.



Limpeza del cajón de las verduras

- Retire el contenido del cajón. Sostenga el asa del cajón de verduras y tire de él completamente hasta que se detenga.
- Levante el cajón de verduras y tire de él para retirarlo.



CUIDADO

Para la limpieza se recomiendan toallas suaves o esponja humedecidas en agua y detergentes neutros no corrosivos. Limpie el congelador con agua limpia y un paño seco. Abra la puerta para un secado natural antes de encender el aparato. No utilice cepillos duros, esponjas de alambre, cepillos de alambre, abrasivos (como pastas de dientes), solventes orgánicos (como alcohol, acetona, aceite de plátano, etc.), agua hirviendo, artículos ácidos o alcalinos para limpiar el refrigerador, ya que podrían dañar la superficie interior del aparato.

RESOLUCIÓN DE PROBLEMAS

El usuario puede resolver los siguientes problemas sencillos. Llame al servicio de posventa si los problemas no se resuelven.

Problema	Posible causa
Fallo en el funcionamiento	• Compruebe si el aparato está conectado a la alimentación o si el enchufe tiene bien los contactos
	• Compruebe si la tensión es demasiado baja
	• Compruebe si hay un fallo de corriente o han saltado los circuitos parciales
Mal olor	• Se deben envolver bien los alimentos que produzcan mal olor
	• Compruebe si hay alimentos podridos
	• Limpie el interior del refrigerador
Funcionamiento durante mucho tiempo del compresor	• El funcionamiento prolongado del refrigerador es normal en verano
	• Cuando la temperatura ambiente es alta, no es recomendable guardar demasiada comida en el aparato
	• Se deben enfriar los alimentos antes de empezar a ponerlos en el aparato
	• Las puertas se abren con demasiada frecuencia
La luz no se enciende	• Compruebe si el refrigerador está conectado a la alimentación y si la luz que se debe iluminar presenta daños
	• Recorra a un técnico especializado para reemplazar la lámpara
La puerta no se puede cerrar correctamente	• La puerta está atascada con paquetes de comida Se ha colocado demasiada comida
	• El refrigerador está inclinado
Ruido alto	• Compruebe si el suelo está nivelado y si el refrigerador está colocado de forma estable
	• Compruebe si los accesorios están colocados en las ubicaciones adecuadas

Problema	Posible causa
El sello de la puerta no está estanco	<ul style="list-style-type: none"> • Retire materiales extraños del sello de la puerta • Caliente el sello de la puerta y después refrigérela para restaurarlo (o sóplelo con un secador eléctrico o use una toalla caliente para calentarlo)
La bandeja de agua se desborda	<ul style="list-style-type: none"> • Hay demasiados alimentos en la cámara o los alimentos almacenados contienen demasiada agua, lo que provoca una grave descongelación • Las puertas no están cerradas debidamente lo que provocará hielo debido a la entrada de aire y al aumento de agua debido a la descongelación
Carcasa caliente	<ul style="list-style-type: none"> • Disipación de calor del condensador incorporado a través de la cubierta, lo cual es normal. Cuando la cubierta se calienta debido a la alta temperatura ambiente, el almacenamiento de demasiados alimentos o el apagado del compresor se apaga, procure una buena ventilación para facilitar la disipación de calor
Condensación de la superficie	<ul style="list-style-type: none"> • La condensación de la superficie exterior y los sellos de la puerta del refrigerador es normal cuando la humedad ambiente es demasiado alta. Simplemente limpie la condensación con una toallita limpia.
Ruido anormal	<ul style="list-style-type: none"> • Pitido: El compresor puede producir pitidos durante el funcionamiento y los pitidos son altos en especial durante el inicio y la parada. Esto es normal. • Crujido: El refrigerante que fluye por el interior del aparato puede producir crujidos, lo que es normal.

GARANTÍA

GARANTÍA LIMITADA DEL REFRIGERADOR MIDEA

ADJUNTE SU RECIBO AQUÍ. SE REQUIERE COMPROBANTE DE COMPRA PARA OBTENER UN SERVICIO DE GARANTÍA.

Tenga a disposición la siguiente información cuando llame al Centro de servicio al cliente:

- Nombre, domicilio y número de teléfono
- Número de modelo y número de serie
- Una descripción clara y detallada del problema
- Comprobante de compra, incluido el nombre y domicilio del distribuidor o vendedor

SI NECESITA SERVICIO TÉCNICO:

1. Antes de contactarnos para coordinar el servicio técnico, determine si su producto requiere reparación. Algunas preguntas pueden resolverse sin el servicio técnico. Dedique algunos minutos a revisar la sección de Solución de problemas del Manual de usuario, o visite <https://www.midea.com/ca/support>.
2. Todo servicio técnico de garantía se provee exclusivamente por parte de prestadores de servicio técnico autorizados de Midea, en los EE. UU. y Canadá.

Servicio al cliente de Midea

En EE. UU. o Canadá, llame al 1-866-646-4332.

Si se encuentra fuera de los 50 estados de los Estados Unidos o de Canadá, comuníquese con su distribuidor autorizado de Midea para corroborar si aplica una garantía distinta.

1 AÑO PARA PIEZAS Y MANO DE OBRA, 10 AÑOS PARA PIEZAS DEL COMPRESOR

LO QUE CUBRE

PRIMER AÑO DE GARANTÍA LIMITADA (PIEZAS Y MANO DE OBRA)

Midea reparará o reemplazará, sin cargo, cualquier defecto debido a materiales defectuosos o mano de obra por un año completo a partir de la fecha de compra. Para obtener más detalles sobre la cobertura de la garantía e información sobre reparación de la garantía, visite <https://www.midea.com/ca> o llame al 1-866-646-4332.

El consumidor será responsable de:

- Los costos de diagnóstico, traslado, transporte y reinstalación requeridos por el servicio.
- Los costos de las llamadas de servicio que sean resultado de los artículos enumerados bajo **RESPONSABILIDADES NORMALES DEL CONSUMIDOR****

RESPONSABILIDADES NORMALES DEL CONSUMIDOR**

Esta garantía se aplica solo a los productos de uso doméstico común, y el consumidor es responsable de los puntos que se enumeran a continuación:

1. El uso correcto del electrodoméstico de acuerdo con las instrucciones proporcionadas con el producto.
2. El mantenimiento de rutina y la limpieza necesaria para mantener las buenas condiciones de trabajo.
3. La instalación correcta por un profesional de servicio autorizado de acuerdo con las instrucciones provistas con el electrodoméstico y de acuerdo con todos los códigos locales de plomería, electricidad y/o gas.
4. La conexión adecuada a una fuente de alimentación con conexión a tierra de suficiente voltaje, reemplazo de fusibles quemados, reparación de conexiones flojas o defectos en el cableado de la casa.
5. Los gastos por hacer accesible el electrodoméstico para darle servicio.
6. Los daños al acabado después de la instalación.

SU ÚNICO RECURSO EXCLUSIVO CONFORME A ESTA GARANTÍA LIMITADA SERÁ LA REPARACIÓN O EL REEMPLAZO DEL PRODUCTO SEGÚN SE INDICA. El servicio técnico debe ser provisto por una empresa de servicio técnico designada por Midea. Esta garantía limitada es válida solamente en los 50 estados de los Estados Unidos o Canadá y aplica únicamente cuando el electrodoméstico se utiliza en el país en el que se adquirió. Esta garantía limitada entra en vigencia a partir de la fecha de compra original del consumidor. Se requiere comprobante de la fecha de compra original para obtener el servicio técnico conforme esta garantía.

LO QUE NO CUBRE

1. Fallo causado por daño a la unidad mientras se encuentra en su posesión (que no sea daño causado por un defecto o mal funcionamiento), por su instalación incorrecta o por un uso irrazonable del producto, incluyendo, entre otros, la falta de mantenimiento razonable y necesario o el cumplimiento del Manual de instrucciones e instalación.
2. Los productos comprados "como están" o restaurados no están cubiertos por esta garantía.
3. Pérdida de alimentos causada por falla del refrigerador o congelador.
4. Llamadas de servicio para reparar o reemplazar consumibles como filtros de agua, bombillas, filtros de aire, etc., manijas, perillas y otras partes cosméticas.
5. Un producto que haya sido transferido de su propietario original.
6. Óxido interior o exterior de la unidad.
7. Daños causados por servicios realizados por personas distintas de los servicios autorizados de Midea; uso de partes distintas a las de reemplazo de Midea; lo obtenido de personas que no sean del servicio al cliente de Midea; o causas externas tales como abuso, mal uso, suministro de energía inadecuado o desastres naturales.
8. Llamadas de servicio resultantes por la instalación incorrecta del producto.
9. Llamadas de servicio para darle instrucciones acerca del uso del producto.
10. Recargos que incluyen, entre otros, cualquier llamada de servicio después de hora, fin de semana o días festivos, peajes, cargos por viaje en ferry o gastos de millaje para llamadas de servicio a áreas remotas, incluido el estado de Alaska.
11. Si la unidad se destina a un uso comercial, de negocio, de alquiler u otro uso o aplicación que no sea para uso del consumidor, no ofrecemos ninguna garantía, expresa o implícita, incluida, entre otras, cualquier garantía implícita de comercialización o idoneidad para un uso o propósito particular.
12. Un producto que haya sido retirado fuera de los Estados Unidos o Canadá.
13. Productos sin números de serie originales o productos con números de serie que hayan sido alterados o no puedan terminarse fácilmente.

NOTA: Algunos estados no permiten la exclusión o limitación de daños incidentales o consecuentes. Por lo tanto, esta limitación o exclusión puede no aplicarse a su caso.

El costo de la reparación o reemplazo conforme a estas circunstancias excluidas correrá a cargo del cliente.

EXENCIÓN DE RESPONSABILIDAD DE LAS GARANTÍAS IMPLÍCITAS

LAS GARANTÍAS IMPLÍCITAS, INCLUIDA CUALQUIER GARANTÍA IMPLÍCITA DE COMERCIABILIDAD O GARANTÍA IMPLÍCITA DE IDONEIDAD PARA UN PROPOSITO ESPECIFICO, SE LIMITAN A UN AÑO O EL PERÍODO MÁS BREVE PERMITIDO POR LEY. Algunos estados y provincias no permiten limitaciones a la duración de las garantías implícitas de comerciabilidad o idoneidad, de manera que esta limitación podría no aplicar para usted. Esta garantía le otorga determinados derechos legales, y usted cuenta además con otros derechos que varían según el estado o la provincia.

EXENCIÓN DE RESPONSABILIDAD DE LAS DECLARACIONES AJENAS A LA GARANTÍA

Midea no hace ninguna declaración respecto de la calidad, durabilidad o necesidad de servicio técnico o reparaciones para este electrodoméstico, salvo las declaraciones incluidas en esta garantía. Si desea obtener una garantía más extensa o integral que la garantía limitada que se ofrece con este electrodoméstico, consulte con Midea o su vendedor sobre la posibilidad de adquirir una garantía extendida.

LIMITACIÓN DE RECURSOS; EXCLUSIÓN DE RESPONSABILIDAD POR DAÑOS OCASIONALES E INDIRECTOS

SU ÚNICO RECURSO EXCLUSIVO CONFORME A ESTA GARANTÍA LIMITADA SERÁ LA REPARACIÓN DEL PRODUCTO SEGÚN SE INDICA. MIDEA NO SERÁ RESPONSABLE POR DAÑOS OCASIONALES O INDIRECTOS. Algunos estados y provincias no permiten la exclusión o limitación de responsabilidad respecto de los daños ocasionales o indirectos, de manera que esta limitación podría no aplicar para usted. Esta garantía le otorga determinados derechos legales, y usted cuenta además con otros derechos que varían según el estado o la provincia.

ES



make yourself at home



www.midea.com

© Midea 2023 all rights reserved