



Refrigerator  
**BOTTOM MOUNTED FREEZER SERIES**

# **USER MANUAL**

**MDRB489FGE**

Warning notices: Before using this product, please read this manual carefully and keep it for future reference. The design and specifications are subject to change without prior notice for product improvement. Consult with your dealer or manufacturer for details. The diagram above is just for reference. Please take the appearance of the actual product as the standard.



# LANGUAGES

<b>EN</b>	English
<b>DE</b>	Deutsch
<b>IT</b>	Italian
<b>FR</b>	French
<b>ES</b>	Spanish
<b>PT</b>	Portuguese
<b>GR</b>	Greek
<b>PL</b>	Polish
<b>LV</b>	Latvian
<b>SR</b>	Serbian
<b>HR</b>	Republika Hrvatska
<b>HU</b>	Hungary
<b>SL</b>	Slovenia
<b>RO</b>	Romania
<b>BG</b>	Bulgaria
<b>LT</b>	Lithuania
<b>AL</b>	Albanian
<b>CZ</b>	Czech
<b>SK</b>	Slovak



## THANK YOU LETTER

Thank you for choosing Midea! Before using your new Midea product, please read this manual thoroughly to ensure that you know how to operate the features and functions that your new appliance offers in a safe way.

# CONTENTS

EN

THANK YOU LETTER	01
SPECIFICATIONS	02
PRODUCT OVERVIEW	03
PRODUCT INSTALLATION	04
OPERATION INSTRUCTIONS	12
CLEANING AND MAINTENANCE	17
TROUBLESHOOTING	19
APPENDIX	21

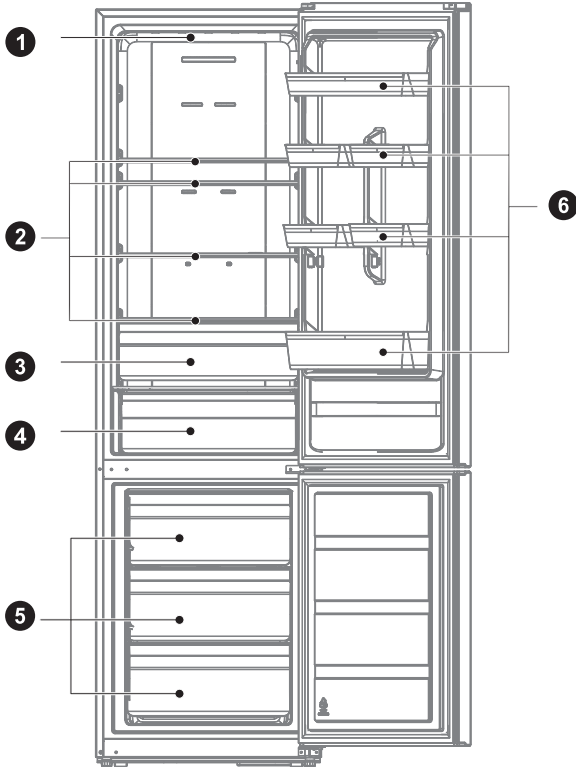
# SPECIFICATIONS

<b>Product model</b>	<b>MDRB489FGE</b>
Fresh Food Storage Compartment Volume	247L
Frozen Food Storage Volume	83L
Defrosting Type	Auto-defrost
Temperature Rise Time	8h
Freezing Capacity	4kg/24h
Rated Voltage	220-240V-/50Hz
Rated Current	0.7A
Overall Dimension (H x W x D)	2010x595x635mm

EN

# PRODUCT OVERVIEW

## Names of components



- |   |                           |   |              |
|---|---------------------------|---|--------------|
| 1 | LED lighting              | 4 | Chill drawer |
| 2 | Shelf                     | 5 | Drawer       |
| 3 | Fruits and vegetables box | 6 | Door tray    |

### ATTENTION

The picture above is only for reference. The actual configuration will depend on the physical product or statement by the distributor.

EN

# PRODUCT INSTALLATION

## Install Instruction

### For refrigerating appliances with climate class

- Depending on the climate class, this refrigerating appliance is intended to be used at ambient temperatures range as specified following table.
- The climate class can be found on the rating plate. The product may not operate properly at temperatures outside of the specific range.
- You can find the climate class on the product label.

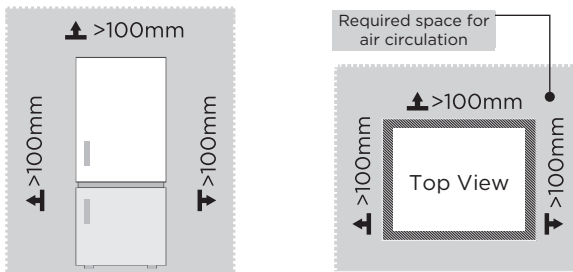
### Effective temperature range

- The product is designed to operate normally in the temperature range specified by its class rating.

Class	Symbol	Ambient temperature range °C	
		IEC 62552 (ISO 15502)	ISO 8561
Extended temperate	SN	+ 10 to + 32	+ 10 to + 32
Temperate	N	+ 16 to + 32	+ 16 to + 32
Subtropical	ST	+ 16 to + 38	+ 18 to + 38
Tropical	T	+ 16 to + 43	+ 18 to + 43

### Dimensions and Clearances

- Too small of a distance from adjacent items may result in the degradation of freezing capability and increased electricity costs. Allow over 100 mm of clearance from each adjacent wall when installing the appliance.

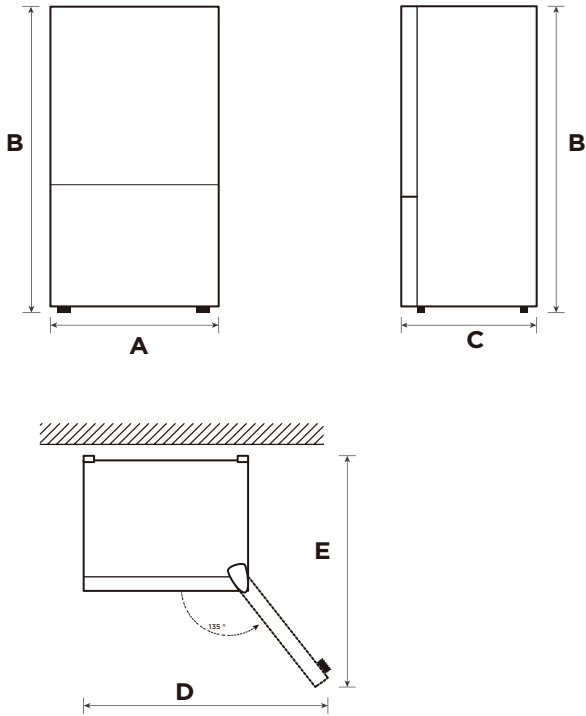


### ATTENTION

The picture above is only for reference. The actual configuration will depend on the physical product or statement by the distributor.



Space requirement diagram (when the door is open and when the door is closed)



EN

Width	Overall Height	Depth	Width doors open 135°	Depth doors open 135°
A	B	C	D	E
595	2010	635	1016	1186

Notice: All dimensions in mm

## Door right-left change (optional)

Based on the location where you plan to use your refrigerator, you may find it more convenient to reverse the position of the door.

### CAUTION

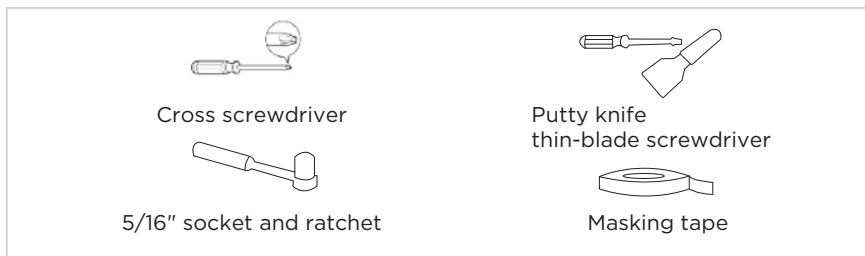
CAUTION: To avoid injury to yourself or your property, we recommend that someone assist you during the door reversal process.

Preparing to reverse the door position

You will need: A standard screwdriver, a Phillips screwdriver, and the included Allen wrench.

- Make sure that your refrigerator is unplugged and empty.
- Have someone available to assist you in the process.
- Keep all of the parts you remove to reuse them later.

### Tools needed for changing the door:

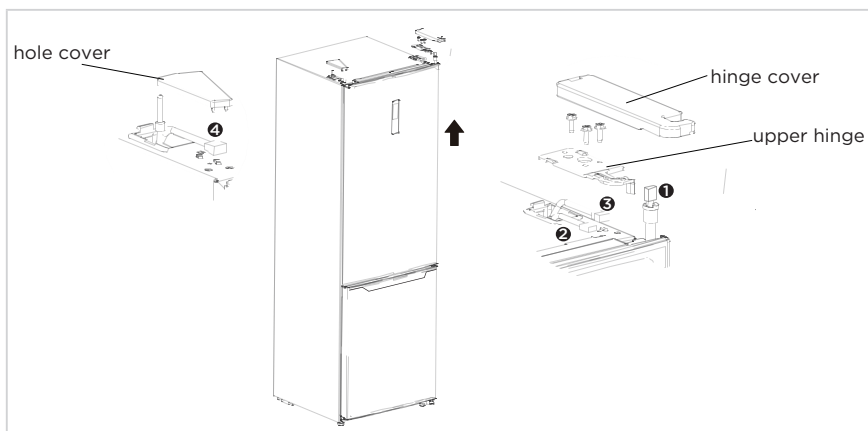


### Parts to be used for door reverse

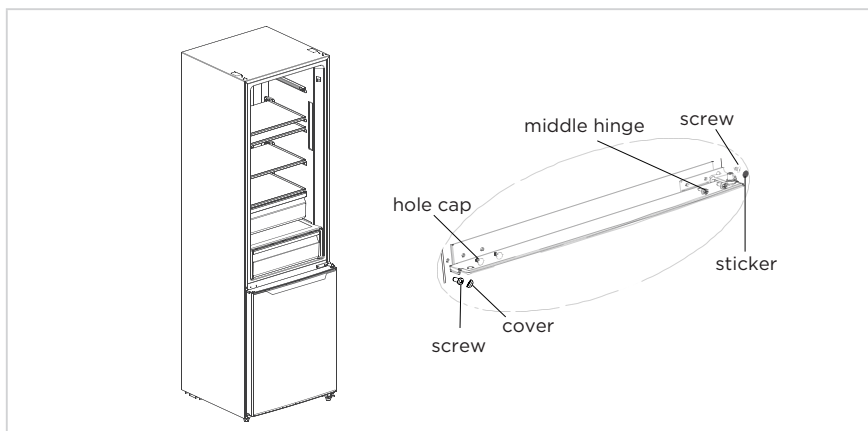
SN	Name	Number	Notes
1	Shaft sleeve	1	Pre-installed on the refrigerator and to be used when changing the door
2	Upper hinge screw	1	
3	Right stopper	1	Pre-installed on the refrigerator, removed when the door is reversed, and kept for future use
4	Hinge cover assembly	1	
5	Pillar switch	1	Pre-installed on the refrigerator and to be used when changing the door
6	Right hinge cover	1	Pre-installed on the refrigerator, removed when the door is reversed, and kept for future use
7	Right upper hinge	1	
8	Adjustable foot	1	Pre-installed on the refrigerator and to be used when changing the door
9	Accessory package	3	Left upper hinge/Left upper hinge cover/Left stopper
10	Lower hinge assembly	1	Pre-installed on the refrigerator and to be used when changing the door
11	Lower hinge screw	2	
12	End cover plate	1	
13	Hole cover	1	

## Step:

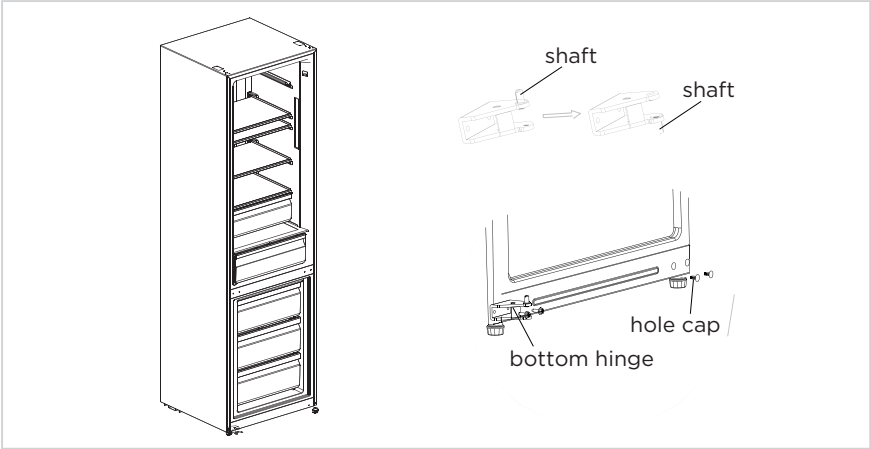
1. Please power off this appliance before conduct this operation Remove all food from door shelves. Fix the door by tapes.
2. Dismantle the upper hinge cover, screws and upper hinge, and remove the hole cover from the other side. Unplug the wiring connector on the right side of refrigerator top (①, ③ wiring connector).



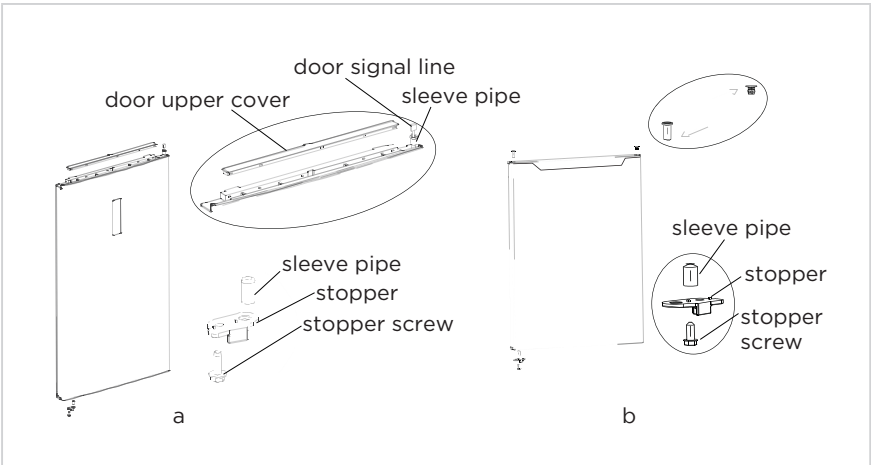
3. Take off refrigerating chamber door as well as screws screw cover, sticker and middle hinge, hole cap.



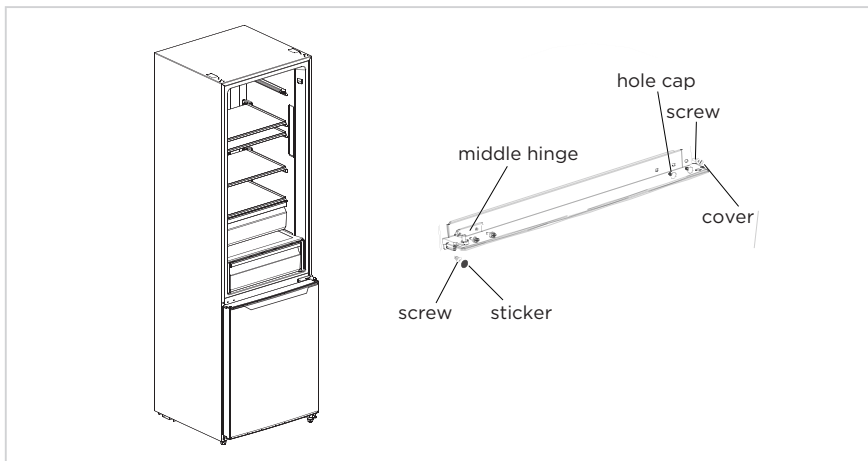
4. Take off freezing chamber door, dismantle bottom hinge, hole caps. Install shaft of bottom hinge on the other side and install the bottom hinge on the other side of bottom beam.



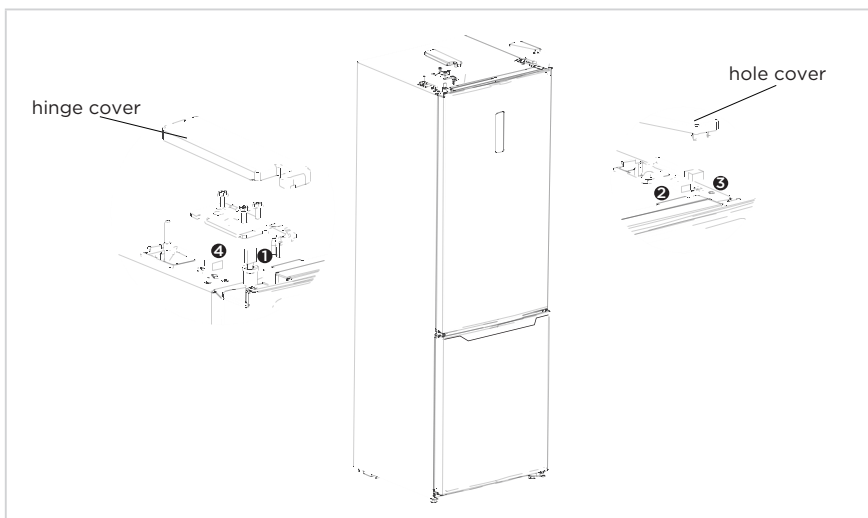
5. a) Remove the upper cover of refrigerating chamber door, install the upper hinge sleeve, door signal line to the other side and install the door upper cover. Dismantle the stopper and sleeve pipe from the right bottom of freezing chamber door, take out another spare stopper (for reversible door), and assemble the sleeve pipe and spare stopper on left bottom of door by screw install the upper hinge sleeve, door signal line to the other side and install the door upper cover.  
 b) Dismantle the stopper and sleeve pipe from the right bottom of freezing chamber door, take out another spare stopper (for reversible door), and assemble the sleeve pipe and spare stopper on left bottom of door by screw. Take off the sleeve pipe and hole caps on the freezing chamber door and mount it on the other side.



6. Put freezing door on bottom hinge, install middle hinge, hole caps, screw cover and sticker.



7. Take out the left top hinge, left top hinge cover from accessories package. Put refrigerating door on middle hinge, install top hinge. Connect signal line terminal ④ with signal line terminal ①, connect signal line terminal ② with signal line terminal ③; install top hinge cover and hole cover.



**ATTENTION**

The picture above is only for reference. The actual configuration will depend on the physical product or statement by the distributor.

## Placement

- Before use, remove all packing materials, including bottom cushions, foam pads and tapes inside of the refrigerator; tear off the protective film on the doors and the refrigerator body.
- Keep away from heat and avoid direct sunlight. Do not place the freezer in moist or watery places to prevent rust or reduction of insulating effect.
- Do not spray or wash the refrigerator; do not put the refrigerator in moist places easy to be splashed with water so as not to affect the electrical insulation properties of the refrigerator.
- The refrigerator is placed in a well-ventilated indoor place; the ground shall be flat, and sturdy (rotate left or right to adjust the wheel for leveling if unstable).

EN



## Leveling feet

To avoid vibration, the unit must be leveled.

If required, adjust the leveling screws to compensate for the uneven floor.

The front should be slightly higher than the rear to aid in door closing.

Leveling screws can be turned easily by tipping the cabinet slightly.

Turn the leveling screws counterclockwise  to raise the unit, clockwise  to lower it.

## Moving the appliance

1. Remove all food from inside the appliance.
2. Pull the power plug out, insert and fix it into the power plug hook at the rear or on top of the appliance.
3. Tape parts such as shelves and the door handle to prevent from falling off while moving the appliance.
4. Move the appliance with more than two people carefully. When transporting the appliance over a long distance, keep the appliance upright.
5. After installing the appliance, connect the power plug into a socket out to switch on the appliance.

### ATTENTION

Precautions before operation:

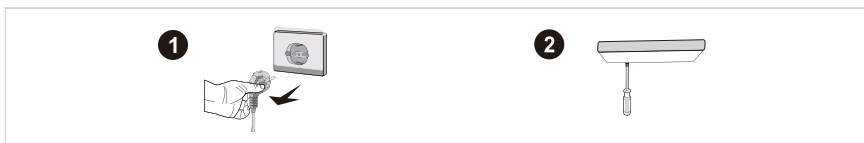
Before making changes the refrigerator must be disconnected from power. Precautions should be taken to prevent any personal injury.

## Changing the light

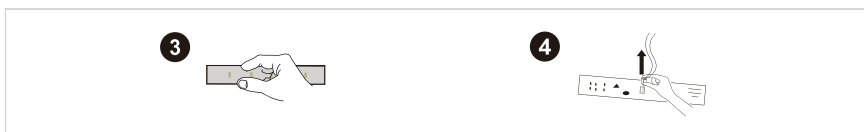
- Any replacement or maintenance of the LED lamps is intended to be made by the manufacturer, its service agent or similar qualified person. This product contains a light source of energy efficiency class <F>.

### Step

- Please take out the plug before removal.
- Remove the lampshade with a screwdriver.



- Take down the lamp panel.
- Remove the connection terminal.



## Connecting the appliance

Before initial start, keep the refrigerator still for two hours before connecting it to power supply.

### ATTENTION

Before putting any fresh or frozen foods, the refrigerator shall have run for 2-3 hours, or for above 4 hours in summer when the ambient temperature is high.

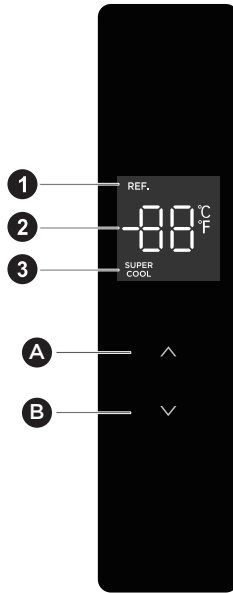
## Tips for energy saving

- The appliance should be located in the coolest area of the room, away from heat producing appliances or heating ducts, and out of the direct sunlight.
- Let hot foods cool to room temperature before placing in the appliance. Overloading the appliance forces the compressor to run longer. Foods that freeze too slowly may lose quality, or spoil.
- Be sure to wrap foods properly, and wipe containers dry before placing them in the appliance. This cuts down on frost build-up inside the appliance.
- Appliance storage bin should not be lined with aluminum foil, wax paper, or paper toweling. Liners interfere with cold air circulation, making the appliance less efficient.
- Organize and label food to reduce door openings and extended searches. Remove as many items as needed at one time, and close the door as soon as possible.

# OPERATION INSTRUCTIONS

## Control panel

EN



### ATTENTION

The picture above is only for reference. The actual configuration will depend on the physical product or statement by the distributor.

### Key

- |          |                         |
|----------|-------------------------|
| <b>A</b> | Temperature up button   |
| <b>B</b> | Temperature down button |

### Display

- |          |                          |
|----------|--------------------------|
| <b>1</b> | Refrigerating icon       |
| <b>2</b> | Temperature display icon |
| <b>3</b> | Super cool icon          |



## Display

- When power on the refrigerator for the 1st time, the whole display panel will shine for 3 seconds. Then the display panel enters the normal display. Open door display light on; When the door closes, the display light goes out. The first time for using the refrigerator, the default set temperatures of refrigerating chamber is 5°C.
- When the error occurs, the display panel shows the error code. Otherwise, the display panel shows the set temperature.

## Temperature setting

- Press the temperature up button “Λ” can adjust the temperature, each click of the temperature up button “Λ”, the set temperature will be risen 1°C; Press the temperature down button “∇” can adjust the temperature, each click of the temperature down button “∇”, the set temperature will be reduced 1°C; The temperature setting range of refrigerating chamber is 2-8°C. When the temperature is adjusted to the boundary value, the refrigerator will sound an alarm if the temperature up button “Λ” or the temperature down button “∇” still have been pressed.

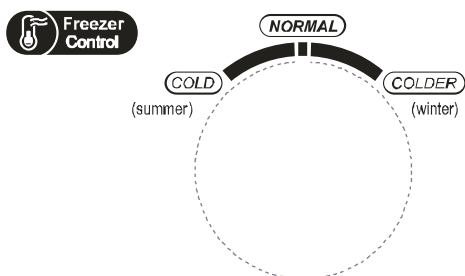
## Set the mode

- Set the Super cooling mode: after the temperature of the refrigeration room is adjusted to 2°C, press the temperature down button “∇” to enter the super cooling mode. In the super cooling mode, the temperature of the refrigerating chamber is automatically set to 2°C.
- Exit the Super cooling mode: press the temperature up button “Λ” to exit the super cooling mode or automatically exit the super cooling mode after 6h. After exiting the super cooling mode, the temperature of the refrigerator will automatically return to the temperature set before the super cooling mode.

## Opening alarm control

- If the door is not closed in two minutes, the buzzer will sound until the door is closed. Press any one button to stop the buzzer alarm.

## Temperature adjustment can exit from the rapid cooling mode



## Temperature control of freezing chamber

- The freezing temperature is relatively low in “COLDER” position, while the freezing temperature is relatively high in “COLD” position, thus, “NORMAL” position is generally used.
- When ambient temperature is high in summer, the temperature shall be in the range from “NORMAL” to “COLD”. If the ambient temperature is above 35°C, then “COLD” position shall prevail.
- When ambient temperature is low in winter, the temperature shall be in the range from “NORMAL” to “COLDER”. If the ambient temperature is below 10°C, then “COLDER” position shall prevail.

## Opening warning and alarm control

- When open the refrigerator door, the door open music will play. If the door is not closed in two minutes, the buzzer will keep ringing until the door is closed. Press any one button to stop the buzzer alarm.

## Fault indication

- The following warnings appearing on the display indicate corresponding faults of the refrigerator.
- Though the refrigerator may still have cold storage function with the following faults, the user shall contact a maintenance specialist for maintenance, so as to ensure optimized operation of the appliance.

Fault Code	Fault Description
E1	Temperature sensor failure of refrigerating chamber
E2	Temperature sensor failure of freezing chamber
E3	Temperature sensor failure of chill drawer
E5	Freezing defrost sensor detection circuit error
E6	Communication error
E7	Ambient temperature sensor error

## Refrigerating chamber

- The Refrigerating Chamber is suitable for storage of a variety of fruits, vegetables, beverages and other food consumed in the short term, suggested storage time 3days to 5days.
- Cooking foods shall not be put in the refrigerating chamber until cooled to room temperature.
- Foods are recommended to be sealed up before putting into the refrigerator.
- The glass shelves can be adjusted up or down for a reasonable amount of storage space and easy use.

## Freezing chamber

- The low temperature freezing chamber may keep food fresh for a long time and it is mainly used to store frozen foods and making ice.
- The freezing chamber is suitable for storage of meat, fish, rice balls and other foods not to be consumed in short term.
- Chunks of meat are preferably to be divided into small pieces for quick freezing and easy access. Please be noted food shall be consumed within the shelf time.

## Chill drawer

- Suitable for short term (1-3 days) to eat fresh fish, fresh meat, fresh food, etc.
- Near to the back and bottom of the of the drawer, food may be frozen, the food what should not be frozen can not be placed in.
- Food classification and sealing pack is suggested.

### ATTENTION

Note: Storage of too much food during operation after the initial connection to power may adversely affect the freezing effect of the refrigerator.

Order	Compartments TYPE	Target storage temp. [°C]	Appropriate food
1	Fridge	+2 - +8	Eggs, cooked food, packaged food, fruits and vegetables, dairy products, cakes, drinks and other foods are not suitable for freezing.
2	(***)*-Freezer	≤ -18	Seafood (fish, shrimp, shellfish), freshwater aquatic products and meat products (recommended for 3 months, the longer the storage time, the worse the taste and nutrition), suitable for frozen fresh food.
3	***-Freezer	≤ -18	Seafood (fish, shrimp, shellfish), freshwater aquatic products and meat products (recommended for 3 months, the longer the storage time, the worse the taste and nutrition), suitable for frozen fresh food.
4	** -Freezer	≤ -12	Seafood (fish, shrimp, shellfish), freshwater aquatic products and meat products (recommended for 3 months, the longer the storage time, the worse the taste and nutrition), suitable for frozen fresh food.
5	*-Freezer	≤ -6	Seafood (fish, shrimp, shellfish), freshwater aquatic products and meat products (recommended for 3 months, the longer the storage time, the worse the taste and nutrition), suitable for frozen fresh food.
6	0-star	-6 - 0	Fresh pork, beef, fish, chicken, some packaged processed foods, etc. (Recommended to eat within the same day, preferably no more than 3 days). Partially encapsulated processed foods (non-freezable foods).
7	Chill	-2 - +3	Fresh/frozen pork, beef, chicken, freshwater aquatic products, etc. (7 days below 0°C and above 0°C is recommended for consumption within that day, preferably no more than 2 days). Seafood (less than 0 for 15 days, it is not recommended to store above 0°C).
8	Fresh food	0 - +4	Fresh pork, beef, fish, chicken, cooked food, etc. (Recommended to eat within the same day, preferably no more than 3 days)
9	Wine	+5 - +20	Red wine, white wine, sparkling wine, etc.

### ATTENTION

please store different foods according to the compartments or target storage temperature of your purchased.

# CLEANING AND MAINTENANCE

EN

## Overall cleaning

- Dusts behind the refrigerator and on the ground shall be timely cleaned to improve the cooling effect and energy saving.
- Check the door gasket regularly to make sure there are no debris. Clean the door gasket with a soft cloth dampened with soapy water or diluted detergent.
- The interior of the refrigerator should be cleaned regularly to avoid odor.
- Please turn off the power before cleaning interior, remove all foods, drinks, shelves, drawers, etc.
- Use a soft cloth or sponge to clean the inside of the refrigerator, with two tablespoons of baking soda and a quart of warm water. Then rinse with water and wipe clean. After cleaning, open the door and let it dry naturally before turning on the power.
- For areas that are difficult to clean in the refrigerator (such as narrow sandwiches, gaps or corners), it is recommended to wipe them regularly with a soft rag, soft brush, etc. and when necessary, combined with some auxiliary tools (such as thin sticks) to ensure no contaminants or bacterials accumulation in these areas.
- Do not use soap, detergent, scrub powder, spray cleaner, etc., as these may cause odors in the interior of the refrigerator or contaminated food.
- Clean the bottle frame, shelves and drawers with a soft cloth dampened with soapy water or diluted detergent. Dry with a soft cloth or dry naturally.
- Wipe the outer surface of the refrigerator with a soft cloth dampened with soapy water, detergent, etc., and then wipe dry.
- Do not use hard brushes, clean steel balls, wire brushes, abrasives (such as toothpastes), organic solvents (such as alcohol, acetone, banana oil, etc.), boiling water, acid or alkaline items, which may damage the fridge surface and interior. Boiling water and organic solvents such as benzene may deform or damage plastic parts.
- Do not rinse directly with water or other liquids during cleaning to avoid short circuits or affect electrical insulation after immersion.

### ATTENTION

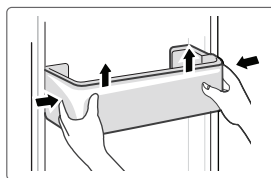
Please unplug the refrigerator for defrost and cleaning.

## Defrosting

- The refrigerator is made based on the air-cooling principle and thus has automatic defrosting function. Frost formed due to change of season or temperature may also be manually removed by disconnection of the appliance from power supply or by wiping with a dry towel.

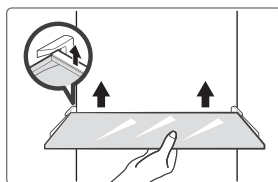
## Cleaning of door tray

- According to the direction arrow in the figure below, use both hands to squeeze the tray, and push it upward, then you can take it out.
- After washing the tray having been taken out, you can adjust its installing height in accordance with your requirement.



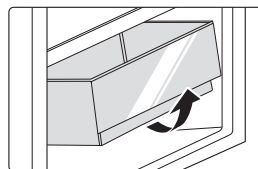
## Cleaning of glass shelf

- As the innermost part of the refrigerator liner where contacting the shelves has a backstop, you shall raise the shelves upward, then you can be able to take it out.
- Adjust or clean the shelves according to your requirement.



## Cleaning the vegetable drawer

1. Remove the contents of the drawer. Hold the handle of the vegetable drawer and pull it out completely until it stops.
2. Lift the vegetable drawer up and remove it by pulling it out.



## Out of operation

### Power failure:

In case of power failure, even if it is in summer, foods inside the appliance can be kept for several hours; during the power failure, the times of door opening shall be reduced, and no more fresh food shall be put into the appliance.

### Long-time nonuse:

The appliance shall be unplugged and then cleaned; then the doors are left open to prevent odor.

### Moving:

Before the refrigerator is moved, take all objects inside out, fix the glass partitions, vegetable holder, freezing chamber drawers and etc. with tape, and tighten the leveling feet; close the doors and fix them with tape. During moving, the appliance shall not be laid upside down or horizontally, or be vibrated; the inclination during movement shall be no more than 45°.

### ● ATTENTION

The appliance shall run continuously once it is started. Generally, the operation of the appliance shall not be interrupted; otherwise the service life may be impaired.

# TROUBLESHOOTING

The following simple issues can be handled by the user. Please call the after-sale service department if the issues are not solved.

Problem	Possible reason
Failed operation	<ul style="list-style-type: none"> <li>• Check whether the appliance is connected to power or whether the plug is in well contact</li> </ul>
	<ul style="list-style-type: none"> <li>• Check whether the voltage is too low</li> </ul>
	<ul style="list-style-type: none"> <li>• Check whether there is a power failure or partial circuits have tripped</li> </ul>
Odor	<ul style="list-style-type: none"> <li>• Odorous foods shall be tightly wrapped</li> </ul>
	<ul style="list-style-type: none"> <li>• Check whether there is any rotten food</li> </ul>
	<ul style="list-style-type: none"> <li>• Clean the inside of the refrigerator</li> </ul>
Long-time operation of the compressor	<ul style="list-style-type: none"> <li>• Long operation of the refrigerator is normal in summer when the ambient temperature is high</li> </ul>
	<ul style="list-style-type: none"> <li>• It is not suggestible having too much food in the appliance at the same time</li> </ul>
	<ul style="list-style-type: none"> <li>• Food shall get cool before being put into the appliance</li> </ul>
	<ul style="list-style-type: none"> <li>• The doors are opened too frequently</li> </ul>
Light fails to get lit	<ul style="list-style-type: none"> <li>• Check whether the refrigerator is connected to power supply and whether the illuminating light is damaged</li> </ul>
	<ul style="list-style-type: none"> <li>• Have the light replaced by a specialist</li> </ul>
Door can not be properly closed	<ul style="list-style-type: none"> <li>• The door is stuck by food packages</li> </ul>
	<ul style="list-style-type: none"> <li>• The refrigerator is tilted.</li> </ul>
Loud noises	<ul style="list-style-type: none"> <li>• Check whether the floor is level and whether the refrigerator is placed stably</li> </ul>
	<ul style="list-style-type: none"> <li>• Check whether accessories are placed at proper locations</li> </ul>

Problem	Possible reason
Door seal fails to be tight	<ul style="list-style-type: none"> <li>• Remove foreign matters on the door seal</li> <li>• Heat the door seal and then cool it for restoration (or blow it with an electrical drier or use a hot towel for heating)</li> </ul>
Water pan overflows	<ul style="list-style-type: none"> <li>• There is too much food in the chamber or food stored contains too much water, resulting in heavy defrosting</li> <li>• The doors are not closed properly, resulting in frosting due to entry of air and increased water due to defrosting</li> </ul>
Hot housing	<ul style="list-style-type: none"> <li>• Heat dissipation of the built-in condenser via the housing, which is normal. When housing becomes hot due to high ambient temperature, storage of too much food or shutdown of the compressor is shut down, provide sound ventilation to facilitate heat dissipation</li> </ul>
Surface condensation	<ul style="list-style-type: none"> <li>• Condensation on the exterior surface and door seals of the refrigerator is normal when the ambient humidity is too high. Just wipe the condensate with a clean towel.</li> </ul>
Abnormal noise	<ul style="list-style-type: none"> <li>• Buzz: The compressor may produce buzzes during operation, and the buzzes are loud particularly upon start or stop. This is normal.</li> <li>• Creak: Refrigerant flowing inside of the appliance may produce creak, which is normal.</li> </ul>



# APPENDIX

## Special for new European standard

The ordered parts in the following table can be acquired from Service provider channel

Ordered part	Provided by	Minimum time required for Provision
Thermostats	Professional maintenance personnel	At least 7 years after the last model is launched on the market
Temperature sensors	Professional maintenance personnel	At least 7 years after the last model is launched on the market
Printed circuit boards	Professional maintenance personnel	At least 7 years after the last model is launched on the market
Light sources	Professional maintenance personnel	At least 7 years after the last model is launched on the market
Door handles	Professional repairers and final users	At least 7 years after the last model is launched on the market
Door hinges	Professional repairers and final users	At least 7 years after the last model is launched on the market
Trays	Professional repairers and final users	At least 7 years after the last model is launched on the market
Baskets	Professional repairers and final users	At least 7 years after the last model is launched on the market
Door gaskets	Professional repairers and final users	At least 10 years after the last model is launched on the market

## Dear customer

1. If you want to return or replace the product, please contact the store where you buy.  
(Remember to bring the purchase invoice)
2. If your product breaks down which needs to repair, please contact after-sales service provider.

## ATTENTION

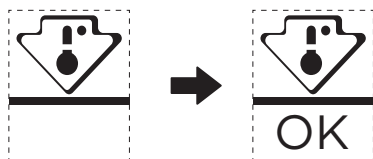
The model information in the product database, as well as the model identifier, can be obtained through a weblink scanned by a QR code, if any, on the energy efficiency label of the product. For more information about the energy efficiency of the appliance, visit <https://ec.europa.eu> and search using the model name.

The model name can be found on the rating label of the appliance.

## Coldest zone in the refrigerator

### OPTIONAL: OK-temperature indicator

- The OK-temperature indicator can be used to determine temperatures below +4°C. Gradually reduce the temperature if the sign does not indicate "OK".



- To ensure the temperature in this area, do not change the positioning of the shelf. In forced air refrigerators (equipped with a fan or No Frost models), the symbol of the coldest zone is not represented because the temperature inside is homogeneous.

### Temperature indicator setting

- To help you set your refrigerator well, it is equipped with a temperature indicator that will monitor the average temperature in the coldest zone.
- **WARNING:** This indicator is intended to work only with your refrigerator, do not use it in another refrigerator (in fact, the coldest zone is not the same), or for any other use.

### Checking the temperature in the coldest zone

- With the temperature indicator, you can check regularly that the temperature of the coldest zone is correct. Indeed, the internal temperature of the refrigerator depends on several factors such as the ambient temperature of the room, the amount of food stored and the frequency of door opening. Take these factors into consideration when setting the device.
- When the indicator shows "OK", this means that your thermostat is well adjusted and the internal temperature correct.
- If the indicator of temperature turns **WHITE**, this means that the temperature is too high; in this case, increase the refrigerator temperature control setting and wait for 12 hours before performing a new visual inspection of the indicator. When fresh food has been introduced or the door has been left open, it is possible for the indicator of temperature to turn **WHITE** after a while.

## **DANKESBRIEF**

Danke, dass Sie sich für Midea entschieden haben! Bevor Sie Ihr neues Midea-Produkt in Betrieb nehmen, lesen Sie bitte dieses Handbuch sorgfältig durch, um sicherzustellen, dass Sie die Funktionen Ihres neuen Geräts sicher bedienen können.

# INHALT

DE

<b>DANKESBRIEF</b> .....	1
<b>SPEZIFIKATIONEN</b> .....	2
<b>PRODUKTÜBERSICHT</b> .....	3
<b>PRODUKTINSTALLATION</b> .....	4
<b>BETRIEBSANLEITUNG</b> .....	12
<b>REINIGUNG UND WARTUNG</b> .....	17
<b>FEHLERSUCHE</b> .....	19
<b>ANHANG</b> .....	21

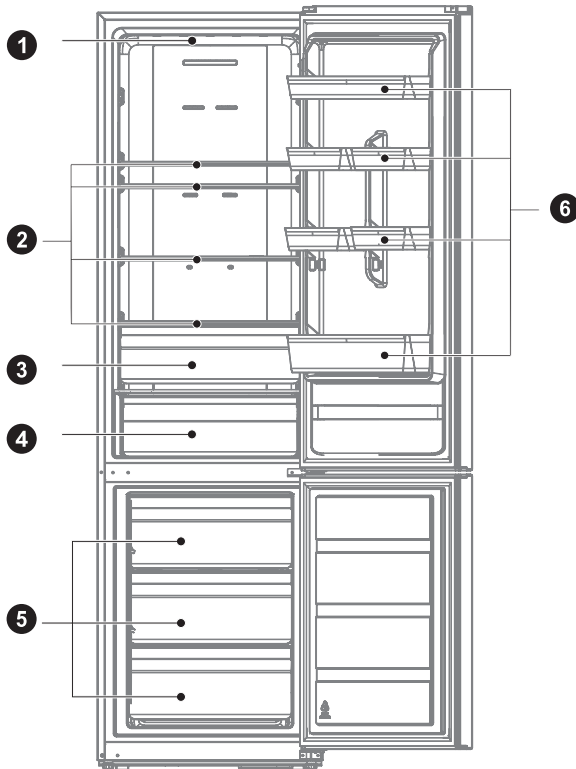
# SPEZIFIKATIONEN

<b>Modell des Produkts</b>	<b>MDRB489FGE</b>
Volumen des Frischhaltefachs für Lebensmittel	247 L
Gefriergut-Lagermenge	83 L
Abtauung Typ	Automatische Abtauung
Temperaturanstiegszeit	8 h
Gefrierkapazität	4kg/24h
Nennspannung/-frequenz	220-240V-/50Hz
Nennstrom	0,7 A
Gesamtabmessung (H x B x T)	2010x595x635 mm

DE

# PRODUKTÜBERSICHT

## Namen der Komponenten



- |   |                     |   |                 |
|---|---------------------|---|-----------------|
| 1 | LED-Beleuchtung     | 4 | Chill-Schublade |
| 2 | Regal               | 5 | Schublade       |
| 3 | Obst- und Gemüsebox | 6 | Türfach         |

### ● ACHTUNG

Das obige Bild dient nur als Referenz. Die tatsächliche Konfiguration hängt vom physischen Produkt oder von den Angaben des Händlers ab

# PRODUKTINSTALLATION

## Installationsanweisung

### Für Kühlgeräte mit Klimaklasse

- Je nach Klimaklasse ist dieses Kühlgerät für die Verwendung bei den in der folgenden Tabelle angegebenen Umgebungstemperaturen vorgesehen.
- Die Klimaklasse finden Sie auf dem Typenschild. Bei Temperaturen außerhalb des spezifischen Bereichs funktioniert das Gerät möglicherweise nicht richtig.
- Die Klimaklasse finden Sie auf dem Produktetikett.

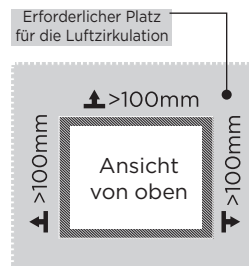
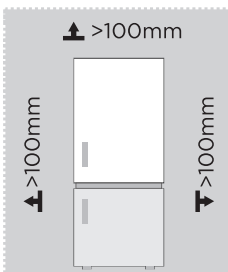
### Effektiver Temperaturbereich

- Das Produkt ist für den normalen Betrieb in dem Temperaturbereich ausgelegt, der durch seine Klasseneinstufung spezifiziert ist.

Klasse	Symbol	Umgebungstemperaturbereich °C	
		IEC 62552 (ISO 15502)	ISO 8561
Erweiterte Temperierung	SN	+ 10 bis + 32	+ 10 bis + 32
Temperiert	N	+ 16 bis + 32	+ 16 bis + 32
Subtropisch	ST	+ 18 bis + 38	+ 16 bis + 38
Tropisch	T	+ 18 bis + 43	+ 16 bis + 43

### Abmessungen und Abstände

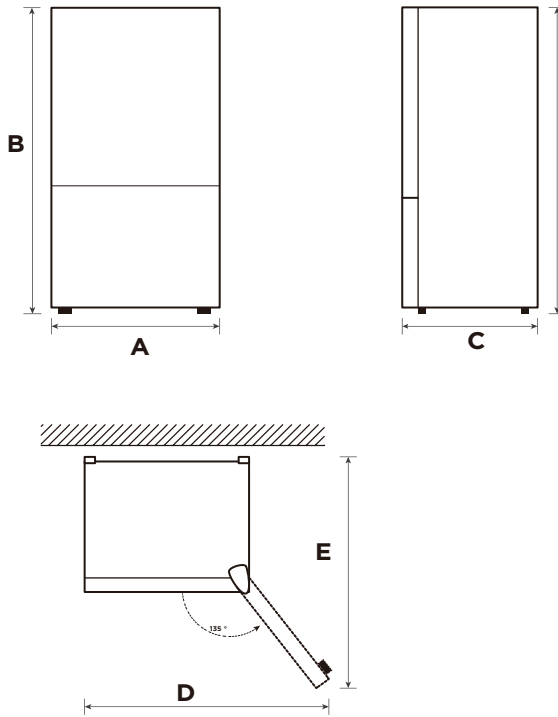
- Ein zu geringer Abstand zu angrenzenden Gegenständen kann zu einer Verschlechterung der Gefrierfähigkeit und zu erhöhten Stromkosten führen. Lassen Sie bei der Installation des Geräts einen Abstand von mehr als 100 mm zu jeder angrenzenden Wand.



### ⚠ ACHTUNG

Das obige Bild dient nur als Referenz. Die tatsächliche Konfiguration hängt vom physischen Produkt oder von den Angaben des Händlers ab

Platzbedarfsdiagramm (bei geöffneter und geschlossener Tür)



DE

Breite	Gesamthöhe	Tiefe	Breite Türen öffnen 135°	Tiefe Türen öffnen 135°
A	B	C	D	E
595	2010	635	1016	1186

Hinweis: Alle Maße in mm

## Tür rechts-links Wechsel (optional)

Je nach dem Ort, an dem Sie den Kühlschrank verwenden möchten, kann es für Sie günstiger sein, die Position der Tür umzukehren.

### VORSICHT

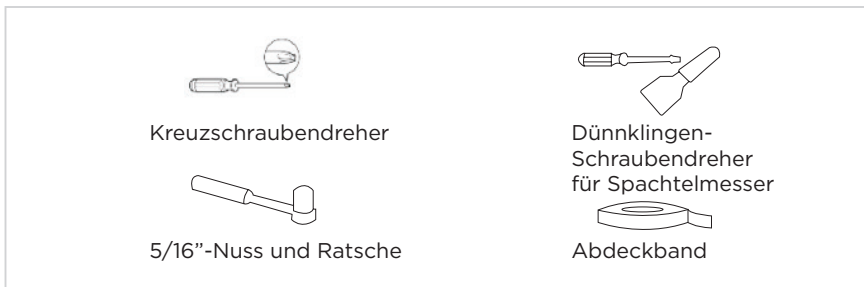
VORSICHT: Um Verletzungen zu vermeiden, empfehlen wir Ihnen, sich beim Umklappen der Tür von einer Person helfen zu lassen.

Vorbereiten der Umkehrung der Türposition

Sie benötigen: Einen Standardschraubendreher, einen Kreuzschlitzschraubendreher und den mitgelieferten Inbusschlüssel.

- Vergewissern Sie sich, dass Ihr Kühlschrank ausgesteckt und leer ist.
- Sorgen Sie dafür, dass Ihnen jemand zur Seite steht, der Sie bei dem Verfahren unterstützt.
- Bewahren Sie alle entfernten Teile auf, um sie später wiederzuverwenden.

### Für den Austausch der Tür benötigtes Werkzeug:



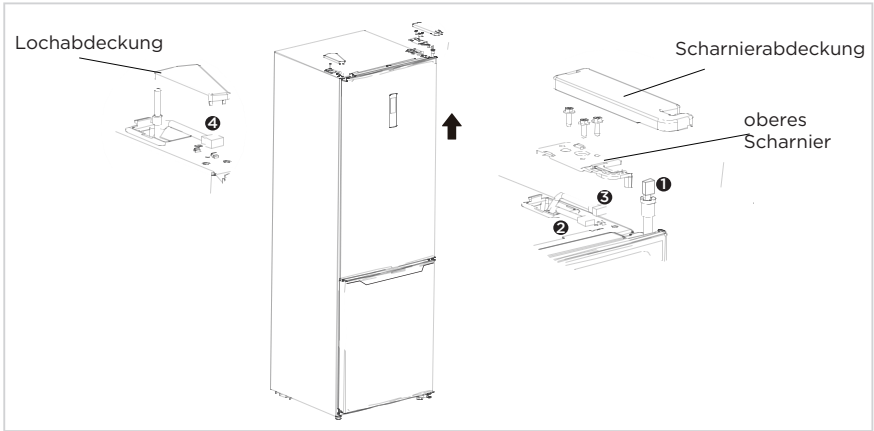
### Für die Türrückseite zu verwendende Teile

SN	Name	Nummer	Hinweise
1	Wellendichtring	1	Vorinstalliert am Kühlschrank und zu verwenden beim Austausch der Tür
2	Obere Scharnierschraube	1	
3	Rechter Stopper	1	Am Kühlschrank vorinstalliert, beim Umlegen der Tür entfernt und für den späteren Gebrauch aufbewahrt
4	Montage der Scharnierabdeckung	1	
5	Säulenschalter	1	Vorinstalliert am Kühlschrank und zu verwenden beim Austausch der Tür
6	Rechte Scharnierabdeckung	1	Am Kühlschrank vorinstalliert, beim Umlegen der Tür entfernt und für den späteren Gebrauch aufbewahrt
7	Rechtes oberes Scharnier	1	
8	Verstellbarer Fuß	1	Vorinstalliert am Kühlschrank und zu verwenden beim Austausch der Tür
9	Zubehöropaket	3	Linkes oberes Scharnier/linker obere Scharnierabdeckung/linker Stopper
10	Untere Scharnierbaugruppe	1	
11	Untere Scharnierschraube	2	Vorinstalliert am Kühlschrank und zu verwenden beim Austausch der Tür
12	Abdeckplatte	1	
13	Lochabdeckung	1	

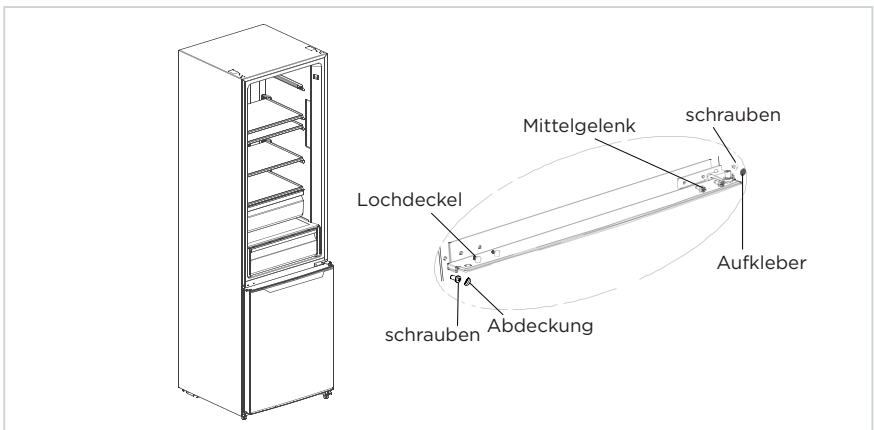


## Schritt:

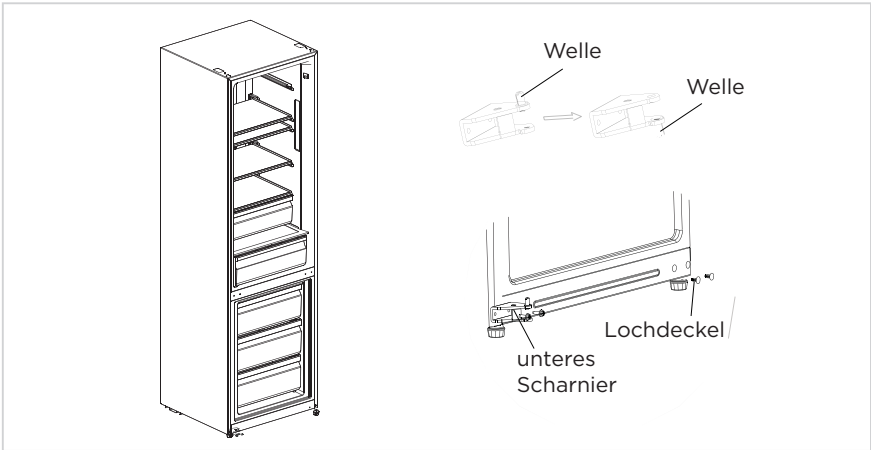
1. Schalten Sie das Gerät aus, bevor Sie diesen Vorgang durchführen. Entfernen Sie alle Lebensmittel aus den Türfächern und befestigen Sie die Tür mit Klebeband.
2. Demontieren Sie die obere Scharnierabdeckung, die Schrauben und das obere Scharnier, und entfernen Sie die Lochabdeckung auf der anderen Seite. Ziehen Sie den Kabelstecker auf der rechten Seite des Kühlschrankoberteils ab (1, 3 Kabelstecker).



3. Die Kühlraumtür sowie die Schrauben, den Aufkleber, das mittlere Scharnier und die Lochkappe abnehmen.

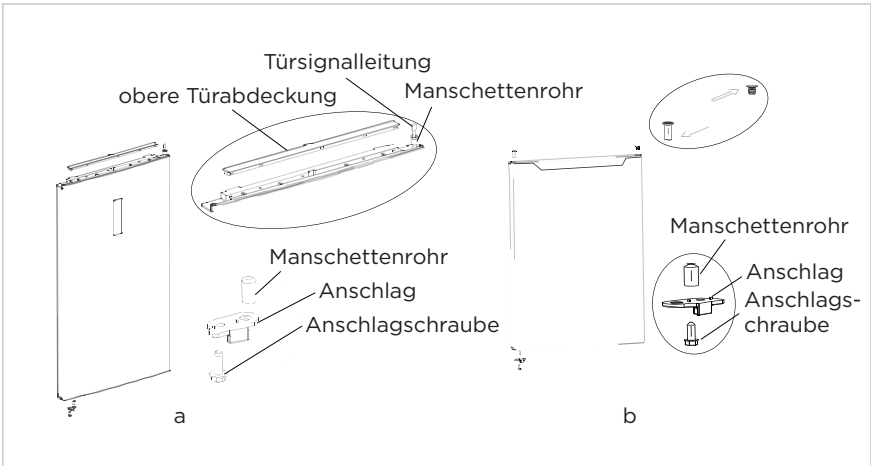


4. Die Gefrierkammertür abnehmen, das untere Scharnier und die Lochkappen demontieren, die Welle des unteren Scharniers auf der anderen Seite anbringen und das untere Scharnier auf der anderen Seite des unteren Trägers anbringen.

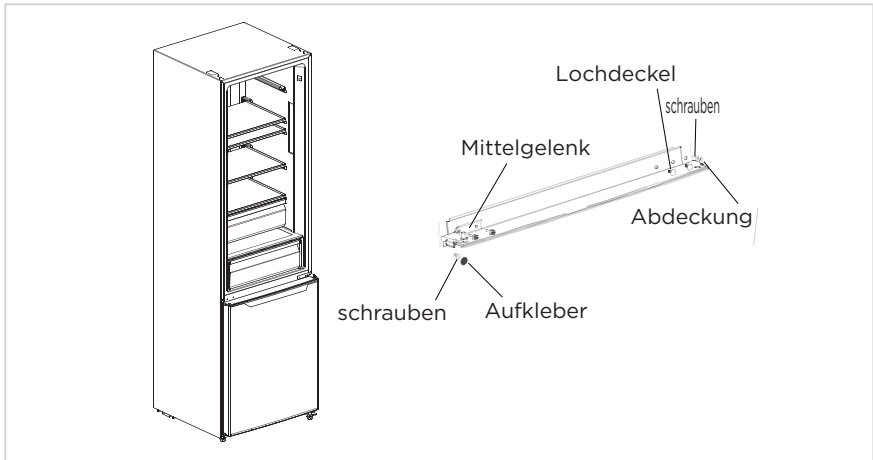


DE

5. a) Entfernen Sie die obere Abdeckung der Kühlkammertür, installieren Sie die obere Scharniermuffe, die Türsignalleitung auf der anderen Seite und installieren Sie die obere Abdeckung der Tür. Demontieren Sie den Stopper und das Muffenrohr von der rechten Unterseite der Gefrierkammertür, nehmen Sie einen weiteren Ersatzstopper (für die reversible Tür) heraus und montieren Sie das Muffenrohr und den Ersatzstopper an der linken Unterseite der Tür, indem Sie die obere Scharnierhülse und die Türsignalleitung auf der anderen Seite anschrauben und die obere Türabdeckung installieren.  
 b) Demontieren Sie den Stopfen und das Muffenrohr von der rechten Unterseite der Gefrierkammertür, nehmen Sie einen weiteren Ersatzstopfen (für die reversible Tür) heraus und montieren Sie das Muffenrohr und den Ersatzstopfen mit einer Schraube an der linken Unterseite der Tür. Nehmen Sie das Muffenrohr und die Lochkappen an der Gefrierkammertür ab und montieren Sie es auf der anderen Seite.

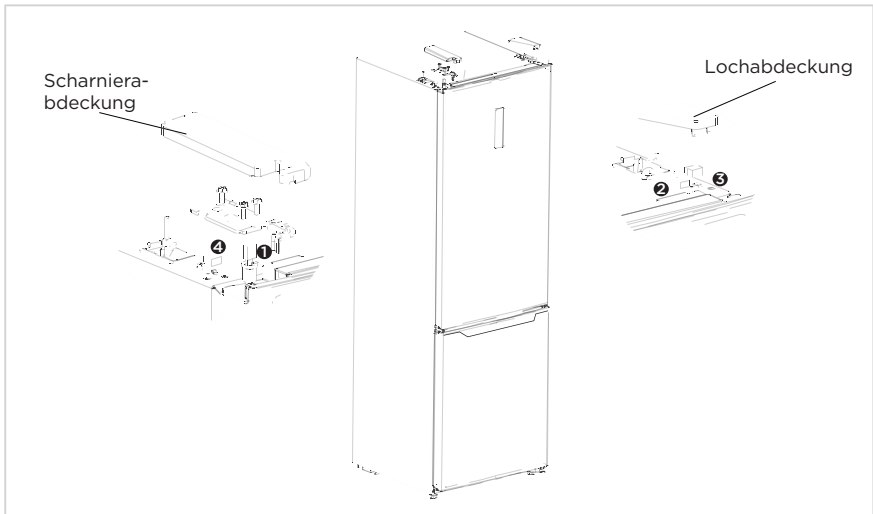


6. Setzen Sie die Gefriertür auf das untere Scharnier, installieren Sie das mittlere Scharnier, die Lochkappen, die Schraubenabdeckung und den Aufkleber.



DE

7. Nehmen Sie das linke obere Scharnier und die linke obere Scharnierabdeckung aus dem Zubehöropaket heraus. Setzen Sie die Kühltür auf das mittlere Scharnier, installieren Sie das obere Scharnier. Verbinden Sie die Signalleitungsklemme ④ mit der Signalleitungsklemme ①, verbinden Sie die Signalleitungsklemme ② mit der Signalleitungsklemme ③, installieren Sie die obere Scharnierabdeckung und die Lochabdeckung.



**● ACHTUNG**

Die Abbildung oben dient nur als Referenz. Die tatsächliche Konfiguration hängt vom physischen Produkt oder von den Angaben des Händlers ab.

## Platzierung

- Entfernen Sie vor der Benutzung alle Verpackungsmaterialien, einschließlich der Bodenpolster, Schaumstoffpolster und Klebebänder im Inneren des Kühlschranks; reißen Sie die Schutzfolie an den Türen und am Kühlschrankgehäuse ab.
- Halten Sie es von Hitze fern und vermeiden Sie direkte Sonneneinstrahlung. Stellen Sie das Gefriergerät nicht an feuchte oder wässrige Orte, um Rost oder eine Verringerung der Isolierwirkung zu vermeiden.
- Stellen Sie den Kühlschrank nicht an feuchten Orten auf, die leicht mit Wasser bespritzt werden können, um die elektrischen Isolationseigenschaften des Kühlschranks nicht zu beeinträchtigen.
- Der Kühlschrank wird an einem gut belüfteten Ort in einem Innenraum aufgestellt; der Boden muss eben und stabil sein (drehen Sie das Rad nach links oder rechts, um es zu nivellieren, falls es instabil ist).

DE



## Nivellierfüße

Um Vibrationen zu vermeiden, muss das Gerät nivelliert werden.

Falls erforderlich, passen Sie die Nivellierschrauben an, um Bodenunebenheiten auszugleichen.

Die Vorderseite sollte etwas höher sein als die Rückseite, um das Schließen der Tür zu erleichtern.

Die Nivellierschrauben lassen sich durch leichtes Kippen des Schrankes leicht drehen.

Drehen Sie die Nivellierschrauben gegen den Uhrzeigersinn , um das Gerät anzuheben, und im Uhrzeigersinn , um es abzusenken.

## Bewegen des Geräts

1. Entfernen Sie alle Lebensmittel aus dem Inneren des Geräts.
2. Ziehen Sie den Netzstecker heraus, stecken Sie ihn ein und befestigen Sie ihn in den Netzsteckerhaken an der Rückseite oder an der Oberseite des Geräts.
3. Kleben Sie Teile wie Einlegeböden und den Türgriff mit Klebeband fest, damit sie beim Bewegen des Geräts nicht herunterfallen.
4. Bewegen Sie das Gerät mit mehr als zwei Personen vorsichtig. Wenn Sie das Gerät über eine längere Strecke transportieren, halten Sie es aufrecht.
5. Stecken Sie nach der Installation des Geräts den Netzstecker in eine Steckdose, um das Gerät einzuschalten.

### ACHTUNG

Vorsichtsmaßnahmen vor dem Betrieb:

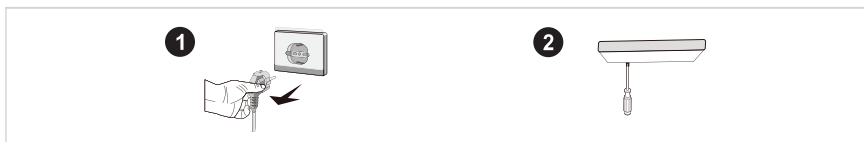
Vor der Durchführung von Änderungen muss der Kühlschrank vom Stromnetz getrennt werden, um Verletzungen zu vermeiden.

## Ändern der Beleuchtung

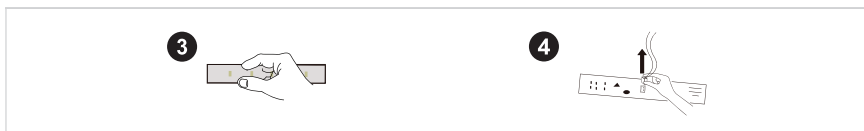
- Jeder Austausch oder jede Wartung der LED-Lampen ist vom Hersteller, seinem Kundendienst oder einer ähnlich qualifizierten Person vorzunehmen. Dieses Produkt enthält eine Lichtquelle der Energieeffizienzklasse .

### Schritt

1. Bitte ziehen Sie den Stecker vor dem Entfernen heraus.
2. Entfernen Sie den Lampenschirm mit einem Schraubenzieher.



3. Nehmen Sie die Lampenblende ab.
4. Entfernen Sie die Anschlussklemme.



## Anschließen des Geräts

Lassen Sie den Kühlschrank vor der ersten Inbetriebnahme eine halbe Stunde lang ruhen, bevor Sie ihn an das Stromnetz anschließen.

### ⚠ ACHTUNG

Bevor Sie frische oder gefrorene Lebensmittel einlegen, muss der Kühlschrank 2 bis 3 Stunden laufen, im Sommer bei hohen Umgebungstemperaturen über 4 Stunden.

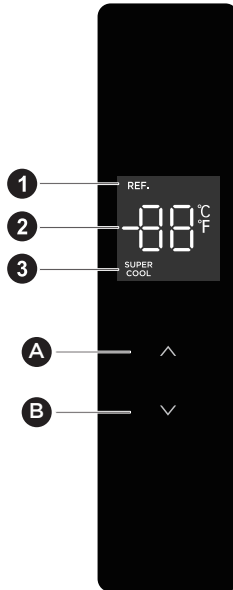
## Tipps zum Energiesparen

- Das Gerät sollte in einem möglichst kühlen Bereich des Raumes, entfernt von wärmeerzeugenden Geräten oder Heizungsrohren und außerhalb des direkten Sonnenlichts aufgestellt werden.
- Lassen Sie heiße Speisen auf Raumtemperatur abkühlen, bevor Sie sie in das Gerät geben. Eine Überlastung des Geräts führt dazu, dass der Kompressor zu lange läuft. Lebensmittel, die zu langsam einfrieren, können an Qualität verlieren oder verderben.
- Achten Sie darauf, dass Sie die Lebensmittel gut einpacken und die Behälter trocken wischen, bevor Sie sie in das Gerät stellen. Dadurch wird die Bildung von Reif im Inneren des Geräts verringert.
- Der Aufbewahrungsbehälter des Geräts sollte nicht mit Alufolie, Wachspapier oder Papiertüchern ausgekleidet werden. Auskleidungen behindern die Zirkulation der kalten Luft und beeinträchtigen so die Effizienz des Geräts.
- Sortieren und beschriften Sie die Lebensmittel, um Türöffnungen und langes Suchen zu vermeiden. Nehmen Sie so viele Gegenstände wie nötig auf einmal heraus und schließen Sie die Tür so schnell wie möglich.

# BETRIEBSANLEITUNG

## Steuerpaneel

DE



### ACHTUNG

Die Abbildung oben dient nur als Referenz. Die tatsächliche Konfiguration hängt vom physischen Produkt oder von den Angaben des Händlers ab.

### Taste Setting (Einstellung)

- |          |  |
|----------|--|
| <b>A</b> | Taste Temperature up (Temperatur erhöhen)  |
| <b>B</b> | Taste Temperature down (Temperatur senken) |

### Bildschirm

- |          |  |
|----------|--|
| <b>1</b> | Symbol Refrigerating (Kühlung)                 |
| <b>2</b> | Symbol Temperature display (Temperaturanzeige) |
| <b>3</b> | Symbol Super freezing (Supergefrieren)         |

## Anzeige

- Wenn Sie den Kühlschrank zum ersten Mal einschalten, leuchtet das gesamte Anzeigefeld 3 Sekunden lang. Dann schaltet das Display auf die normale Anzeige um. Bei geöffneter Tür leuchtet die Anzeige auf; wenn die Tür geschlossen wird, erlischt die Anzeige. Wenn Sie den Kühlschrank zum ersten Mal benutzen, ist die Standardtemperatur der Kühlkammer auf 5°C eingestellt.
- Wenn der Fehler auftritt, zeigt das Anzeigefeld den Fehlercode an. Andernfalls zeigt das Anzeigefeld die eingestellte Temperatur an.

## Einstellung der Temperatur

- Drücken Sie die Taste Temperature up (Temperatur erhöhen) „ $\Delta$ “, um die Temperatur einzustellen, mit jedem Klick auf die Taste Temperature up (Temperatur erhöhen) „ $\Delta$ “ wird die eingestellte Temperatur um 1°C erhöht; drücken Sie die Taste Temperature down (Temperatur senken) „ $\nabla$ “, um die Temperatur einzustellen, mit jedem Klick auf die Taste Temperature down (Temperatur senken) „ $\nabla$ “ wird die eingestellte Temperatur um 1°C verringert; der Temperatureinstellbereich der Kühlkammer beträgt 2-8°C. Wenn die Temperatur auf den Grenzwert eingestellt ist, wird der Kühlschrank einen Alarm auslösen, wenn die Taste Temperature up (Temperatur erhöhen) „ $\Delta$ “ oder die Taste Temperature up (Temperatur erhöhen) „ $\nabla$ “ noch gedrückt wurde.

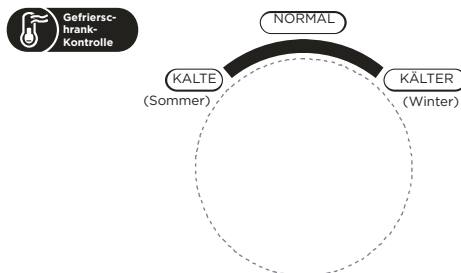
## Einstellen des Modus

- Einstellen des Superkühlmodus: Nachdem die Temperatur des Kühlraums auf 2°C eingestellt ist, drücken Sie die Taste Temperature down (Temperatur senken) „ $\nabla$ “, um den Superkühlmodus aufzurufen. Im Superkühlmodus wird die Temperatur des Kühlraums automatisch auf 2°C eingestellt.
- Beenden Sie den Superkühlmodus: Drücken Sie die Taste Temperature up (Temperatur erhöhen) „ $\Delta$ “, um den Superkühlmodus zu beenden, oder beenden Sie den Superkühlmodus automatisch nach 6 Stunden. Nach dem Verlassen des Superkühlmodus kehrt die Temperatur des Kühlschranks automatisch auf die vor dem Superkühlmodus eingestellte Temperatur zurück.

## Kontrolle des Öffnungsalarms

- Wenn die Tür nicht innerhalb von zwei Minuten geschlossen wird, ertönt der Summer so lange, bis die Tür geschlossen wird. Drücken Sie eine beliebige Taste, um den Signalton abzustellen.

## Temperaturanpassung kann aus dem Schnellkühlmodus austreten



## Temperaturregelung der Gefrierkammer

- Die Gefriertemperatur ist in der Stellung „KÄLTER“ relativ niedrig, während die Gefriertemperatur in der Stellung „KALT“ relativ hoch ist, daher wird im Allgemeinen die Stellung „NORMAL“ verwendet.
- Wenn die Umgebungstemperatur im Sommer hoch ist, muss die Temperatur im Bereich von „NORMAL“ bis „KALT“ liegen. Wenn die Umgebungstemperatur über 35°C liegt, muss „KALT“ eingestellt werden.
- Wenn die Umgebungstemperatur im Winter niedrig ist, muss die Temperatur im Bereich von „NORMAL“ bis „KÄLTER“ liegen. Wenn die Umgebungstemperatur unter 10°C liegt, muss die Position „KÜHLER“ vorherrschen.

DE

## Öffnungswarnung und Alarmkontrolle

- Wenn Sie die Kühlschranktür öffnen, ertönt die Türöffnungsmusik. Wenn die Tür nicht innerhalb von zwei Minuten geschlossen wird, ertönt der Summer so lange, bis die Tür geschlossen wird. Drücken Sie eine beliebige Taste, um den Signalton abzustellen.

## Störungsanzeige

- Die folgenden Warnhinweise auf dem Display weisen auf entsprechende Störungen des Kühlschranks hin.
- Auch wenn der Kühlschrank bei den folgenden Fehlern noch kühlfähig ist, sollte der Benutzer die Wartung von einem Fachmann durchführen lassen, um einen optimalen Betrieb des Geräts zu gewährleisten.

Fehlercode	Beschreibung des Fehlers
E1	Fehler des Temperatursensors der Kühlkammer
E2	Fehler des Temperatursensors des Gefrierfach
E3	Ausfall des Temperaturfühlers der Kühlschranklade
E5	Fehler im Erkennungskreis des Abtaufühlers für das Einfrieren
E6	Kommunikationsfehler
E7	Fehler des Umgebungstemperatursensors



## Kühlkammer

- Die Kühlkammer eignet sich für die Lagerung einer Vielzahl von Obst, Gemüse, Getränken und anderen Lebensmitteln, die kurzfristig verbraucht werden, empfohlene Lagerzeit 3 bis 5 Tage.
- Kochende Lebensmittel dürfen nicht in den Kühlraum gestellt werden, bevor sie auf Raumtemperatur abgekühlt sind.
- Es wird empfohlen, Lebensmittel zu verschließen, bevor sie in den Kühlschrank gestellt werden.
- Die Glaseinlegeböden können nach oben oder unten verstellt werden, um eine angemessene Menge an Stauraum und eine einfache Nutzung zu gewährleisten.

DE

## Gefrierkammer

- Die Niedrigtemperatur-Gefrierkammer kann Lebensmittel lange frisch halten und wird hauptsächlich zur Lagerung von Tiefkühlkost und zur Eisherstellung verwendet.
- Die Gefrierkammer eignet sich für die Lagerung von Fleisch, Fisch, Reisbällchen und anderen Lebensmitteln, die nicht kurzfristig verzehrt werden sollen.
- Fleischstücke sollten vorzugsweise in kleine Stücke geteilt werden, damit sie schnell einfrieren und leicht zugänglich sind. Bitte beachten Sie, dass die Lebensmittel innerhalb der Haltbarkeitsdauer verbraucht werden müssen.

## Chill-Schublade

- Geeignet für kurze Zeit (1-3 Tage), um frischen Fisch, frisches Fleisch, frische Lebensmittel usw. zu essen.
- In der Nähe des hinteren und unteren Teils der Schublade können Lebensmittel eingefroren sein, Lebensmittel, die nicht eingefroren werden sollen, können nicht eingelegt werden.
- Es wird eine Lebensmittelklassifizierung und eine Versiegelungspackung vorgeschlagen.

### ACHTUNG

Hinweis: Die Lagerung von zu vielen Lebensmitteln während des Betriebs nach dem ersten Anschluss an das Stromnetz kann die Gefrierwirkung des Kühlschranks beeinträchtigen.

Bestellung	Fächer TYP	Ziel-Lager-temperatur. [°C]	Geeignete Lebensmittel
1	Kühlschrank	+2 - +8	Eier, gekochte Lebensmittel, verpackte Lebensmittel, Obst und Gemüse, Milchprodukte, Kuchen, Getränke und andere Lebensmittel sind nicht zum Einfrieren geeignet.
2	(***)*-Gefrierschrank	-18	Meeresfrüchte (Fisch, Garnelen, Schalentiere), Süßwasserprodukte und Fleischprodukte (empfohlen für 3 Monate, je länger die Lagerzeit, desto schlechter der Geschmack und der Nährwert), geeignet für gefrorene frische Lebensmittel.
3	***-Gefrierschrank	≤-18	Meeresfrüchte (Fisch, Garnelen, Schalentiere), Süßwasserprodukte und Fleischprodukte (empfohlen für 3 Monate, je länger die Lagerzeit, desto schlechter der Geschmack und der Nährwert), geeignet für gefrorene frische Lebensmittel.
4	** -Gefrierschrank	≤-12	Meeresfrüchte (Fisch, Garnelen, Schalentiere), Süßwasserprodukte und Fleischprodukte (empfohlen für 3 Monate, je länger die Lagerzeit, desto schlechter der Geschmack und der Nährwert), geeignet für gefrorene frische Lebensmittel.
5	*Gefrierschrank	≤-6	Meeresfrüchte (Fisch, Garnelen, Schalentiere), Süßwasserprodukte und Fleischprodukte (empfohlen für 3 Monate, je länger die Lagerzeit, desto schlechter der Geschmack und der Nährwert), geeignet für gefrorene frische Lebensmittel.
6	0-Stern	-6 - 0	Frisches Schweinefleisch, Rindfleisch, Fisch, Hühnerfleisch, einige verpackte verarbeitete Lebensmittel usw. (Es wird empfohlen, sie innerhalb desselben Tages zu essen, vorzugsweise nicht länger als 3 Tage). Teilweise eingekapselte verarbeitete Lebensmittel (nicht gefrierfähige Lebensmittel).
7	Chillen	-2 - +3	Frisches/gefrorenes Schweine-, Rind- und Hühnerfleisch, Süßwasserprodukte usw. (7 Tage unter 0°C und über 0°C wird für den Verzehr innerhalb dieses Tages empfohlen, vorzugsweise nicht länger als 2 Tage). Meeresfrüchte (weniger als 0 für 15 Tage, es wird nicht empfohlen, sie über 0°C zu lagern).
8	Frische Lebensmittel	0 - +4	Frisches Schweinefleisch, Rindfleisch, Fisch, Hühnerfleisch, gekochte Lebensmittel usw. (Es wird empfohlen, sie am selben Tag zu verzehren, vorzugsweise nicht länger als 3 Tage)
9	Wein	+5 -+20	Rotwein, Weißwein, Sekt, usw.

### ACHTUNG

Bitte lagern Sie die verschiedenen Lebensmittel entsprechend den Fächern oder der gewünschten Lagertemperatur des gekauften Produkts.

# REINIGUNG UND WARTUNG

## Allgemeine Reinigung

- Der Staub hinter dem Kühlschrank und auf dem Boden muss rechtzeitig gereinigt werden, um die Kühlwirkung zu verbessern und Energie zu sparen.
- Prüfen Sie die Türdichtung regelmäßig, um sicherzustellen, dass keine Ablagerungen vorhanden sind. Reinigen Sie die Türdichtung mit einem weichen, mit Seifenwasser oder verdünntem Reinigungsmittel angefeuchteten Tuch.
- Das Innere des Kühlschranks sollte regelmäßig gereinigt werden, um Gerüche zu vermeiden.
- Bitte schalten Sie das Gerät aus, bevor Sie den Innenraum reinigen, und entfernen Sie alle Lebensmittel, Getränke, Regale, Schubladen usw.
- Verwenden Sie ein weiches Tuch oder einen Schwamm, um das Innere des Kühlschranks mit zwei Esslöffeln Backpulver und einem Liter warmem Wasser zu reinigen. Dann mit Wasser abspülen und abwischen. Öffnen Sie nach der Reinigung die Tür und lassen Sie ihn an der Luft trocknen, bevor Sie das Gerät wieder einschalten.
- Es wird empfohlen, schwer zu reinigende Bereiche im Kühlschrank (z. B. schmale Sandwiches, Spalten oder Ecken) regelmäßig mit einem weichen Lappen, einer weichen Bürste usw. abzuwischen, gegebenenfalls in Kombination mit einigen Hilfsmitteln (z. B. dünnen Stäbchen), um sicherzustellen, dass sich in diesen Bereichen keine Verunreinigungen oder Bakterien ansammeln.
- Verwenden Sie keine Seife, Reinigungsmittel, Scheuerpulver, Reinigungssprays usw., da diese Gerüche im Inneren des Kühlschranks oder verunreinigte Lebensmittel verursachen können.
- Reinigen Sie den Flaschenrahmen, die Einlegeböden und die Schubladen mit einem weichen, mit Seifenwasser oder verdünntem Reinigungsmittel angefeuchteten Tuch. Mit einem weichen Tuch oder an der Luft trocknen.
- Wischen Sie die Außenfläche des Kühlschranks mit einem weichen, mit Seifenwasser, Spülmittel usw. angefeuchteten Tuch ab und wischen Sie sie anschließend trocken.
- Verwenden Sie keine harten Bürsten, Stahlkugeln, Drahtbürsten, Scheuermittel (z. B. Zahnpasta), organische Lösungsmittel (z. B. Alkohol, Aceton, Bananenöl usw.), kochendes Wasser, Säuren oder Laugen, die die Oberfläche und das Innere des Kühlschranks beschädigen können. Kochendes Wasser und organische Lösungsmittel wie Benzol können Kunststoffteile verformen oder beschädigen.
- Bei der Reinigung nicht direkt mit Wasser oder anderen Flüssigkeiten abspülen, um Kurzschlüsse zu vermeiden oder die elektrische Isolierung nach dem Eintauchen zu beeinträchtigen.

### ACHTUNG

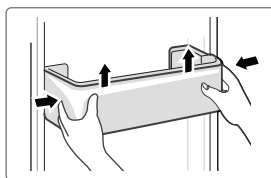
Bitte ziehen Sie den Kühlschrank zum Abtauen und Reinigen aus der Steckdose.

## Entfrostern

- Der Kühlschrank ist nach dem Luftkühlungsprinzip gebaut und verfügt daher über eine automatische Abtaufunktion. Frost, der sich durch den Wechsel der Jahreszeit oder der Temperatur gebildet hat, kann auch manuell entfernt werden, indem das Gerät von der Stromversorgung getrennt oder mit einem trockenen Handtuch abgewischt wird.

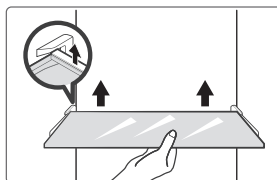
## Reinigung des Türfachs

- Drücken Sie das Fach mit beiden Händen entsprechend dem Richtungspfeil in der Abbildung unten zusammen und schieben Sie es nach oben, dann können Sie es herausnehmen.
- Nach dem Waschen des herausgenommenen Tablett können Sie dessen Einbauhöhe nach Ihren Wünschen einstellen.



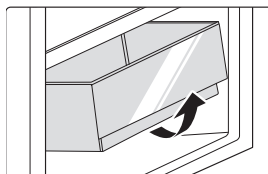
## Reinigung des Türfachs

- Da der innerste Teil der Kühlschrankauskleidung, der mit den Einlegeböden in Berührung kommt, eine Rücklaufsperr hat, müssen Sie die Einlegeböden nach oben anheben, damit Sie sie herausnehmen können.
- Stellen Sie die Einlegeböden je nach Bedarf ein oder reinigen Sie sie.



## Reinigung der Gemüseschublade

1. Nehmen Sie den Inhalt der Schublade heraus. Halten Sie den Griff der Gemüseschublade fest und ziehen Sie sie vollständig bis zum Anschlag heraus.
2. Heben Sie die Gemüseschublade an und ziehen Sie sie heraus.



## Außer Betrieb

### Stromausfall:

Im Falle eines Stromausfalls können Lebensmittel im Inneren des Geräts auch im Sommer stundenlang aufbewahrt werden; Während des Stromausfalls sollte die Zeit der Türöffnungen reduziert werden und keine frischen Lebensmittel sollten in das Gerät gegeben werden.

### Langjähriger Nichtgebrauch:

Das Gerät ist auszustecken und dann zu reinigen; anschließend sind die Türen offen zu lassen, um Geruch zu vermeiden.

### Umziehen:

Bevor der Kühlschrank transportiert wird, nehmen Sie alle Gegenstände aus dem Inneren heraus, befestigen Sie die Glastrennwände, den Gemüseschrank, die Gefrierfachschubladen usw. mit Klebeband und ziehen Sie die Nivellierfüße fest; schließen Sie die Türen und befestigen Sie sie mit Klebeband. Während des Transports darf das Gerät nicht auf den Kopf oder in die Horizontale gestellt oder erschüttert werden; die Neigung während des Transports darf nicht mehr als 45° betragen.

### ⚠ ACHTUNG

Das Gerät muss nach dem Einschalten ununterbrochen laufen. Generell darf der Betrieb des Geräts nicht unterbrochen werden, da sonst die Lebensdauer beeinträchtigt werden kann.

# FEHLERSUCHE

Die folgenden einfachen Probleme können vom Benutzer selbst behoben werden. Bitte wenden Sie sich an den Kundendienst, wenn die Probleme nicht gelöst werden können.

Problem	Möglicher Grund
Fehlgeschlagene Operation	<ul style="list-style-type: none"> <li>• Prüfen Sie, ob das Gerät an das Stromnetz angeschlossen ist oder ob der Stecker in gutem Kontakt ist</li> </ul>
	<ul style="list-style-type: none"> <li>• Prüfen, ob die Spannung zu niedrig ist</li> </ul>
	<ul style="list-style-type: none"> <li>• Prüfen Sie, ob ein Stromausfall vorliegt oder ein Teil der Stromkreise ausgelöst wurde.</li> </ul>
Geruch	<ul style="list-style-type: none"> <li>• Schmutzige Lebensmittel müssen fest verpackt sein</li> </ul>
	<ul style="list-style-type: none"> <li>• Prüfen Sie, ob verdorbene Lebensmittel vorhanden sind.</li> </ul>
	<ul style="list-style-type: none"> <li>• Reinigen Sie das Innere des Kühlschranks</li> </ul>
Langfristiger Betrieb des Kompressors	<ul style="list-style-type: none"> <li>• Im Sommer, wenn die Umgebungstemperatur hoch ist, ist ein längerer Betrieb des Kühlschranks normal.</li> </ul>
	<ul style="list-style-type: none"> <li>• Es ist nicht sinnvoll, zu viele Lebensmittel gleichzeitig im Gerät zu haben</li> </ul>
	<ul style="list-style-type: none"> <li>• Lebensmittel müssen abkühlen, bevor sie in das Gerät gegeben werden</li> </ul>
	<ul style="list-style-type: none"> <li>• Die Türen werden zu häufig geöffnet</li> </ul>
Licht leuchtet nicht	<ul style="list-style-type: none"> <li>• Prüfen Sie, ob der Kühlschrank an die Stromversorgung angeschlossen ist und ob die Kontrollleuchte beschädigt ist.</li> </ul>
	<ul style="list-style-type: none"> <li>• Licht von einem Fachmann austauschen lassen</li> </ul>
Die Tür lässt sich nicht richtig schließen	<ul style="list-style-type: none"> <li>• Die Tür klemmt durch Lebensmittelpakete</li> </ul>
	<ul style="list-style-type: none"> <li>• Der Kühlschrank ist gekippt.</li> </ul>
Laute Geräusche	<ul style="list-style-type: none"> <li>• Prüfen Sie, ob der Boden eben ist und ob der Kühlschrank stabil steht.</li> </ul>
	<ul style="list-style-type: none"> <li>• Prüfen Sie, ob das Zubehör an den richtigen Stellen angebracht ist.</li> </ul>

DE

Problem	Möglicher Grund
Türdichtung ist nicht dicht	<ul style="list-style-type: none"> <li>• Entfernen von Fremdkörpern auf der Türdichtung</li> <li>• Erhitzen Sie die Türdichtung und kühlen Sie sie dann zur Wiederherstellung ab (oder blasen Sie sie mit einem elektrischen Fön aus oder verwenden Sie ein heißes Handtuch zum Erhitzen)</li> </ul>
Wasserwanne läuft über	<ul style="list-style-type: none"> <li>• Es befinden sich zu viele Lebensmittel in der Kammer oder die gelagerten Lebensmittel enthalten zu viel Wasser, was zu einem starken Auftauen führt.</li> <li>• Die Türen sind nicht richtig geschlossen, was zu Vereisung durch Lufteintritt und erhöhtem Wassergehalt durch Abtauen führt.</li> </ul>
Heißes Gehäuse	<ul style="list-style-type: none"> <li>• Wärmeabfuhr des eingebauten Kondensators über das Gehäuse, was normal ist Wenn das Gehäuse durch hohe Umgebungstemperatur, Lagerung von zu vielen Lebensmitteln oder Abschalten des Kompressors heiß wird, sorgen Sie für eine gute Belüftung, um die Wärmeabfuhr zu erleichtern</li> </ul>
Oberflächenkondensation	<ul style="list-style-type: none"> <li>• Kondensation an der Außenfläche und den Türdichtungen des Kühlschranks ist normal, wenn die Luftfeuchtigkeit zu hoch ist. Wischen Sie das Kondenswasser einfach mit einem sauberen Handtuch ab.</li> </ul>
Abnormales Rauschen	<ul style="list-style-type: none"> <li>• Brummen: Der Kompressor kann während des Betriebs Brummen erzeugen, und die Brummen sind laut, besonders beim Start oder Stopp. Dies ist normal.</li> <li>• Knarren: Das im Inneren des Geräts fließende Kältemittel kann ein Knarren verursachen, was normal ist.</li> </ul>

# ANHANG

## Speziell für neue europäische Norm

Die in der folgenden Tabelle aufgeführten Teile können über den Servicekanal bezogen werden

Bestelltes Teil	Bereitgestellt von	Erforderliche Mindestzeit für die Bereitstellung
Thermostate	Professionelles Wartungspersonal	Mindestens 7 Jahre nach Markteinführung des letzten Modells
Temperatursensoren	Professionelles Wartungspersonal	Mindestens 7 Jahre nach Markteinführung des letzten Modells
Gedruckte Leiterplatten	Professionelles Wartungspersonal	Mindestens 7 Jahre nach Markteinführung des letzten Modells
Lichtquellen	Professionelles Wartungspersonal	Mindestens 7 Jahre nach Markteinführung des letzten Modells
Türklinken	Professionelle Reparateure und Endverbraucher	Mindestens 7 Jahre nach Markteinführung des letzten Modells
Türscharniere	Professionelle Reparateure und Endverbraucher	Mindestens 7 Jahre nach Markteinführung des letzten Modells
Tabletts	Professionelle Reparateure und Endverbraucher	Mindestens 7 Jahre nach Markteinführung des letzten Modells
Körbe	Professionelle Reparateure und Endverbraucher	Mindestens 7 Jahre nach Markteinführung des letzten Modells
Türdichtungen	Professionelle Reparateure und Endverbraucher	Mindestens 10 Jahre nach Markteinführung des letzten Modells

## Lieber Kunde

1. Wenn Sie das Produkt zurückgeben oder ersetzen möchten, wenden Sie sich bitte an das Geschäft, in dem Sie es gekauft haben.

(Denken Sie daran, die Kaufrechnung mitzubringen)

2. Wenn Ihr Produkt kaputt geht und repariert werden muss, wenden Sie sich bitte an den Kundendienst.

### ACHTUNG

Die Modellinformationen in der Produktdatenbank sowie die Modellkennung können über einen Weblink abgerufen werden, der über einen QR-Code (falls vorhanden) auf dem Energieeffizienzetikett des Produkts gescannt wird.

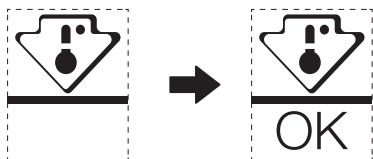
Weitere Informationen über die Energieeffizienz des Geräts finden Sie unter <https://ec.europa.eu> und suchen Sie nach dem Modellnamen

Die Modellbezeichnung finden Sie auf dem Typenschild des Geräts.

## Kälteste Zone im Kühlschrank

### OPTIONAL: OK-Temperaturanzeige

- Die OK-Temperaturanzeige kann verwendet werden, um Temperaturen unter +4°C festzustellen. Reduzieren Sie die Temperatur schrittweise, wenn das Zeichen nicht „OK“ anzeigt.



- Um die Temperatur in diesem Bereich zu gewährleisten, darf die Positionierung des Regals nicht verändert werden. Bei Umluftkühlschränken (mit Gebläse oder No-Frost-Modellen) wird das Symbol der kältesten Zone nicht angezeigt, da die Temperatur im Inneren gleichmäßig ist.

### Einstellung der Temperaturanzeige

- Damit Sie Ihren Kühlschrank gut einstellen können, ist er mit einer Temperaturanzeige ausgestattet, die die durchschnittliche Temperatur in der kältesten Zone überwacht.
- WARNUNG:** Diese Anzeige ist nur für Ihren Kühlschrank bestimmt, verwenden Sie sie nicht in einem anderen Kühlschrank (die kälteste Zone ist nicht dieselbe) oder für andere Zwecke.

### Kontrolle der Temperatur in der kältesten Zone

- Mit der Temperaturanzeige können Sie regelmäßig überprüfen, ob die Temperatur in der kältesten Zone korrekt ist. Die Innentemperatur des Kühlschranks hängt nämlich von mehreren Faktoren ab, wie z. B. der Umgebungstemperatur des Raums, der Menge der gelagerten Lebensmittel und der Häufigkeit des Öffnens der Tür. Berücksichtigen Sie diese Faktoren bei der Einstellung des Geräts.
- Wenn die Anzeige „OK“ anzeigt, bedeutet dies, dass Ihr Thermostat gut eingestellt ist und die Innentemperatur stimmt.
- Wenn die Temperaturanzeige WEISS wird, bedeutet dies, dass die Temperatur zu hoch ist; erhöhen Sie in diesem Fall die Temperatureinstellung des Kühlschranks und warten Sie 12 Stunden, bevor Sie eine neue Sichtprüfung der Anzeige durchführen. Wenn frische Lebensmittel eingefüllt wurden oder die Tür offen gelassen wurde, kann die Temperaturanzeige nach einer Weile WEISS werden.



## LETTERA DI RINGRAZIAMENTO

Vi ringraziamo per aver scelto Midea! Prima di utilizzare il prodotto Midea, si prega di leggere attentamente il Manuale per sapere quali sono le caratteristiche e come utilizzare le funzioni disponibili in modo sicuro.

# INDICE

LETTERA DI RINGRAZIAMENTO .....	01
SPECIFICHE .....	02
PANORAMICA DEL PRODOTTO.....	03
INSTALLAZIONE DEL PRODOTTO.....	04
ISTRUZIONI PER L'USO .....	12
PULIZIA E MANUTENZIONE.....	17
RISOLUZIONE DEI PROBLEMI .....	19
APPENDICE.....	21

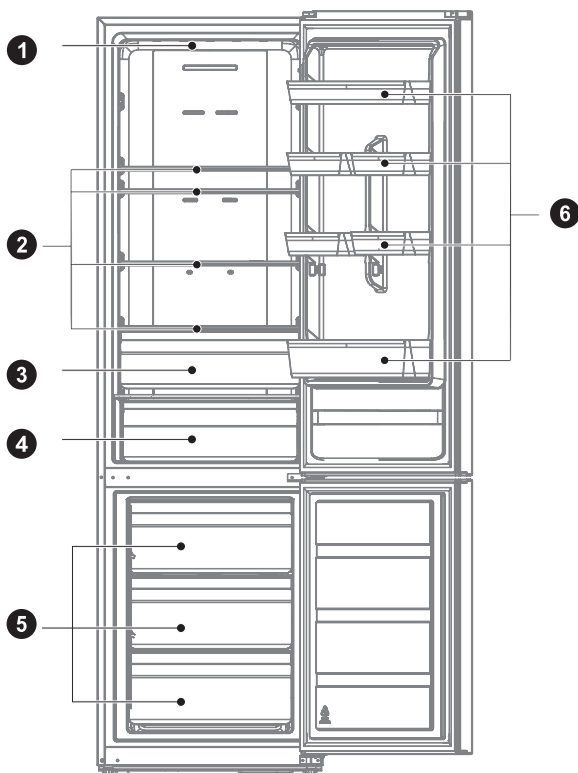
# SPECIFICHE

<b>Modello di prodotto</b>	<b>MDRB489FGE</b>
Volume scomparto alimenti freschi	247 L
Volume di conservazione degli alimenti congelati	83 L
Tipo di scongelamento	Sbrinamento automatico
Tempo di aumento della temperatura	8 ore
Capacità di congelamento	4 kg/24 ore
Tensione/frequenza nominale	220-240V-/50Hz
Corrente nominale	0,7 A
Dimensione generale (H x L x P)	2010x595x635 mm

IT

# PANORAMICA DEL PRODOTTO

## Nomi dei componenti



- |   |                             |   |                 |
|---|-----------------------------|---|-----------------|
| 1 | Illuminazione LED           | 4 | Cassetto freddo |
| 2 | Mensola                     | 5 | Cassetto        |
| 3 | Scatola di frutta e verdura | 6 | Vassoio porta   |

### ● ATTENZIONE

L'immagine sopra è solo per riferimento. La configurazione attuale dipenderà dal prodotto fisico o dalla dichiarazione del distributore)

# INSTALLAZIONE DEL PRODOTTO

## Istruzioni di Installazione

### Per apparecchi frigoriferi con classe climatica

- Per quanto riguarda la classe climatica, questo apparecchio di refrigerazione è destinato ad essere utilizzato a temperature ambiente come specificato nella seguente tabella.
- La classe climatica è presente sulla targhetta dei parametri nominali. Il prodotto potrebbe non funzionare correttamente a temperature al di fuori dell'intervallo specifico.
- È possibile trovare la classe climatica sull'etichetta del prodotto.

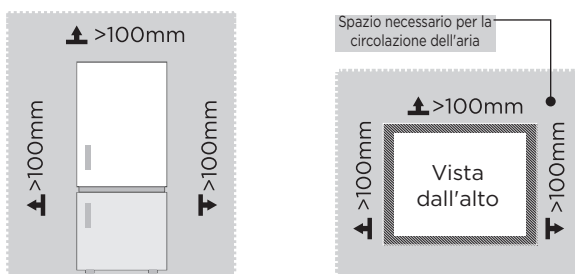
### Intervallo di temperatura effettivo

- Il prodotto è progettato per funzionare nell'intervallo di temperatura specificato sull'etichetta di classificazione.

Classe	Simbolo	Gamma di temperatura ambiente °C	
		IEC 62552 (ISO 15502)	Certificazione ISO 8561
Temperato esteso	SN	Da + 10 a + 32	Da + 10 a + 32
Temperato	N	Da + 16 a + 32	Da + 16 a + 32
Subtropicale	ST	Da + 18 a + 38	Da + 16 a + 38
Tropicale	T	Da + 18 a + 43	Da + 16 a + 43

### Dimensioni e Spazio Libero

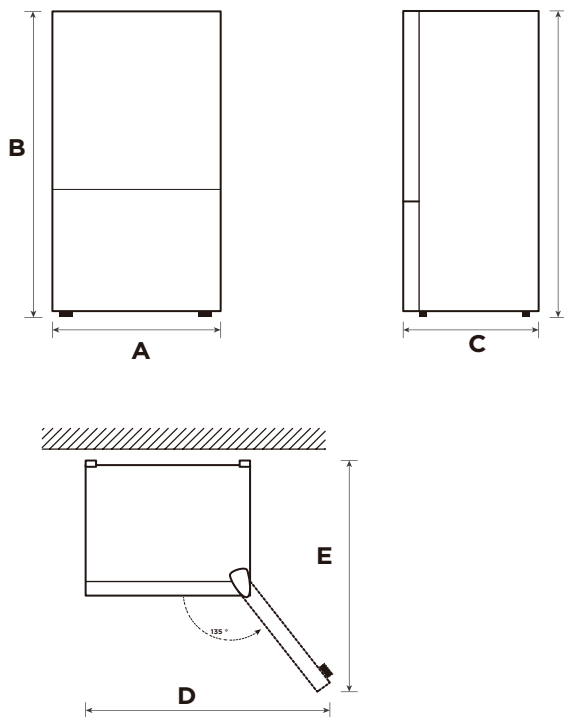
- Una distanza troppo piccola dagli oggetti adiacenti può comportare la riduzione della capacità di congelamento e un aumento della spesa per l'energia. Lasciare oltre 100 mm di spazio da ogni parete adiacente durante l'installazione dell'apparecchio.



### ATTENZIONE

L'immagine sopra è solo per riferimento. La configurazione attuale dipenderà dal prodotto fisico o dalla dichiarazione del distributore)

Diagramma del requisito di spazio (quando la porta è aperta e quando la porta è chiusa)



IT

Larghezza	Altezza totale	Profondità	Larghezza di apertura delle porte 135°	Profondità di apertura delle porte 135°
A	B	C	D	E
595	2010	635	1016	1186

Nota bene: Tutte le dimensioni in mm

## Cambio senso di apertura della porta (opzionale)

In base alla posizione in cui si prevede di utilizzare il frigorifero, potrebbe essere più conveniente invertire il senso di apertura della porta.

### CAUTELA

CAUTELA: Per evitare lesioni e danni alle cose, ti consigliamo di avere un assistente durante il processo di inversione della porta.

Preparazione per invertire il senso di apertura della porta

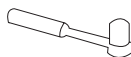
Avrai bisogno di: Un cacciavite standard, un cacciavite Phillips e la chiave a brugola inclusa.

- Assicurarsi che il frigorifero sia scollegato dall'alimentazione ed è vuoto.
- Chiedere qualcuno di assisterti nel processo.
- Conservare tutte le parti rimosse per riutilizzarle in seguito.

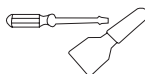
### Strumenti necessari per cambiare il senso di apertura della porta:



Cacciavite a croce



cricchetto e presa da 5/16"



Cacciavite a lama sottile e spatola



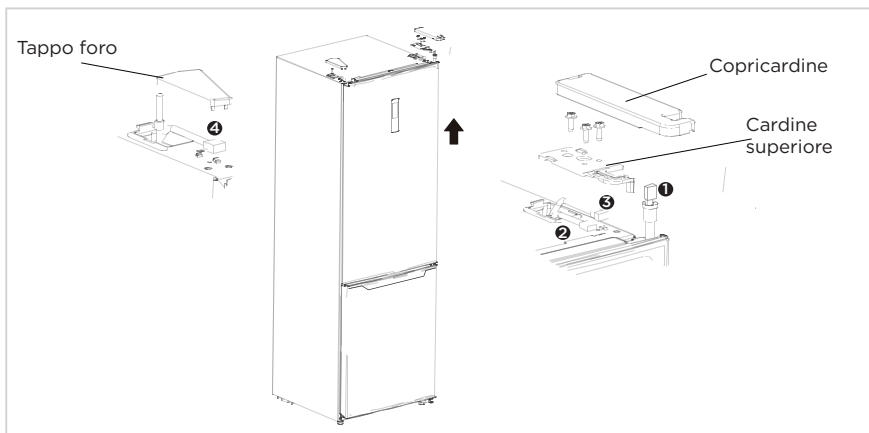
Nastro adesivo

### Parti da utilizzare per il cambio del lato di apertura della porta

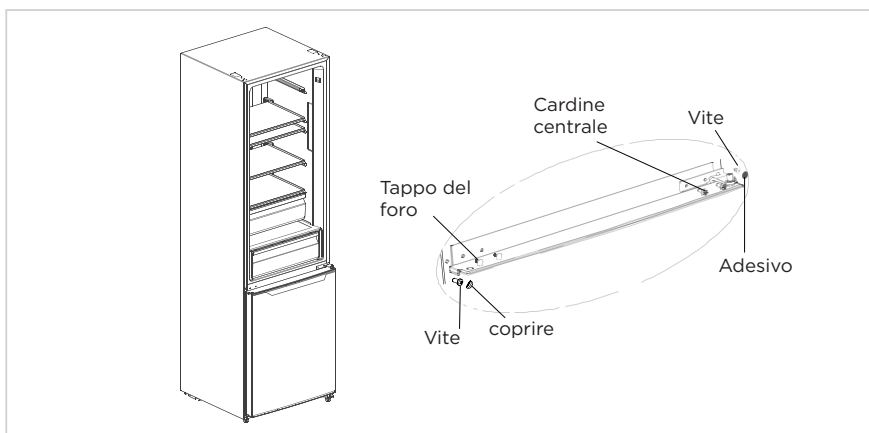
SN	Nome	Numero	Nota bene
1	Boccola	1	Viene pre-installato sul frigorifero, verrà ancora utilizzato durante il cambio del lato di apertura della porta
2	Vite della cerniera superiore	1	
3	Tappo destro	1	Preinstallato sul frigorifero, rimosso quando è stato cambiato il lato dell'apertura della porta. Conservarlo per un utilizzo futuro.
4	Gruppo coperchio cerniera	1	
5	Interruttore a colonna	1	Viene pre-installato sul frigorifero, verrà ancora utilizzato durante il cambio del lato di apertura della porta
6	Coperchio cerniera destra	1	Preinstallato sul frigorifero, rimosso quando è stato cambiato il lato dell'apertura della porta. Conservarlo per un utilizzo futuro.
7	Cardine superiore destro	1	
8	Piede regolabile	1	Viene pre-installato sul frigorifero, verrà ancora utilizzato durante il cambio del lato di apertura della porta
9	Pacchetto accessori	3	Cerniera superiore sinistra/Coperchio cerniera superiore sinistra/Tappo sinistro
10	Gruppo cerniera inferiore	1	
11	Vite della cerniera inferiore	2	Viene pre-installato sul frigorifero, verrà ancora utilizzato durante il cambio del lato di apertura della porta
12	Piastra di copertura terminale	1	
13	Tappo foro	1	

## Passaggio:

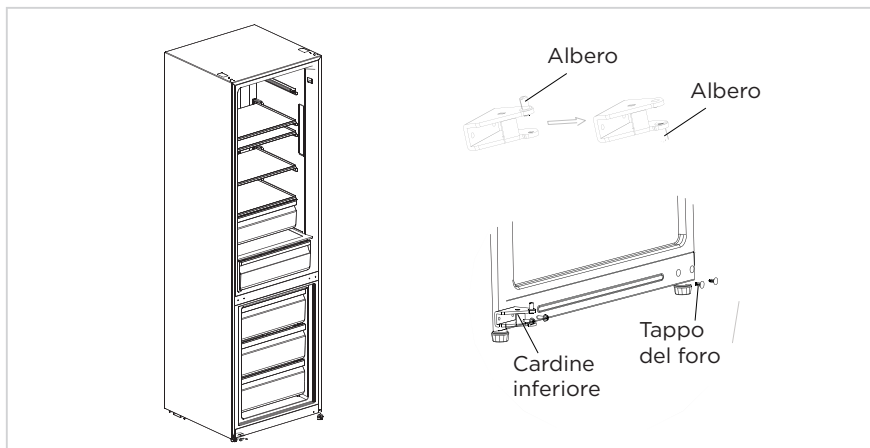
1. Si prega di spegnere questo apparecchio prima di eseguire questa operazione. Rimuovere tutto il cibo dagli scaffali della porta. Fissare la porta con dei nastri.
2. Smontare il coperchio della cerniera superiore, le viti e la cerniera superiore e rimuovere il coperchio del foro dall'altro lato. Scollegare il connettore del cablaggio sul lato destro della parte superiore del frigorifero (1,3 connettore di cablaggio).



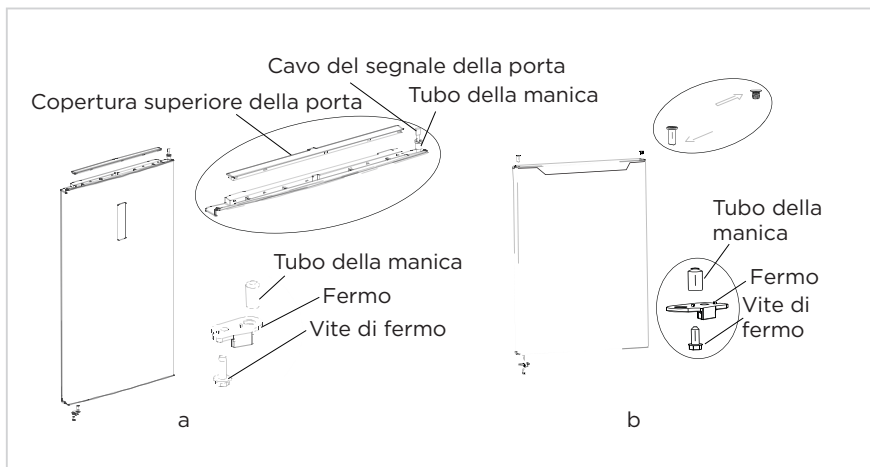
3. Togliere la porta della camera di raffreddamento e il coperchio delle viti, l'adesivo, la cerniera centrale e il tappo del foro.



4. Togliere la porta della camera di congelamento, smontare la cerniera inferiore, i tappi del foro. Installare l'albero della cerniera inferiore sull'altro lato e installare la cerniera inferiore sull'altro lato della trave inferiore.

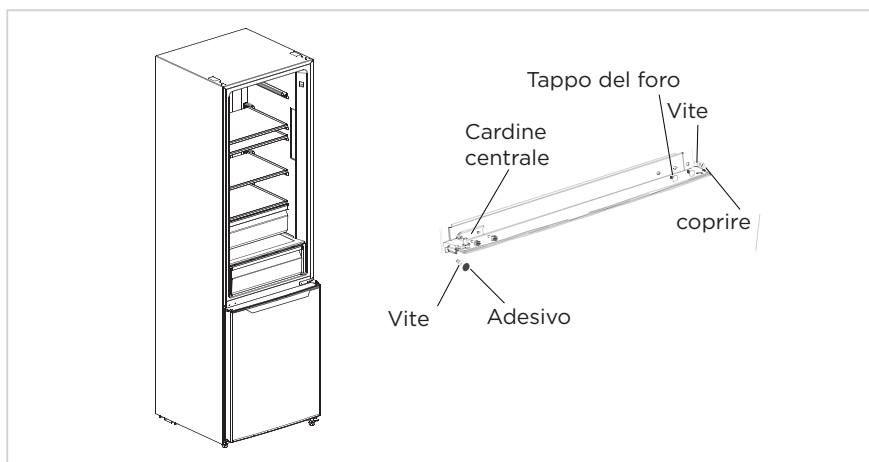


5. a) Rimuovere il coperchio superiore della porta della camera di raffreddamento, installare il manicotto superiore della cerniera, la linea di segnale della porta sull'altro lato e installare il coperchio superiore della porta. Smontare il tappo e il tubo del manicotto dal fondo destro della porta della camera di congelamento, estrarre un altro tappo di ricambio (per invertire la porta) e assemblare il tubo del manicotto e il tappo di ricambio sul fondo sinistro della porta con la vite. Installare il manicotto della cerniera superiore, la linea di segnale della porta sull'altro lato e installare il coperchio superiore della porta.
- b) Smontare il tappo e il tubo del manicotto dal fondo destro della porta della camera di congelamento, estrarre un altro tappo di ricambio (per invertire la porta) e assemblare il tubo del manicotto e il tappo di ricambio sul fondo sinistro della porta con la vite. Togliere il tubo del manicotto e i tappi dei fori sulla porta della camera di congelamento e montarlo sull'altro lato.



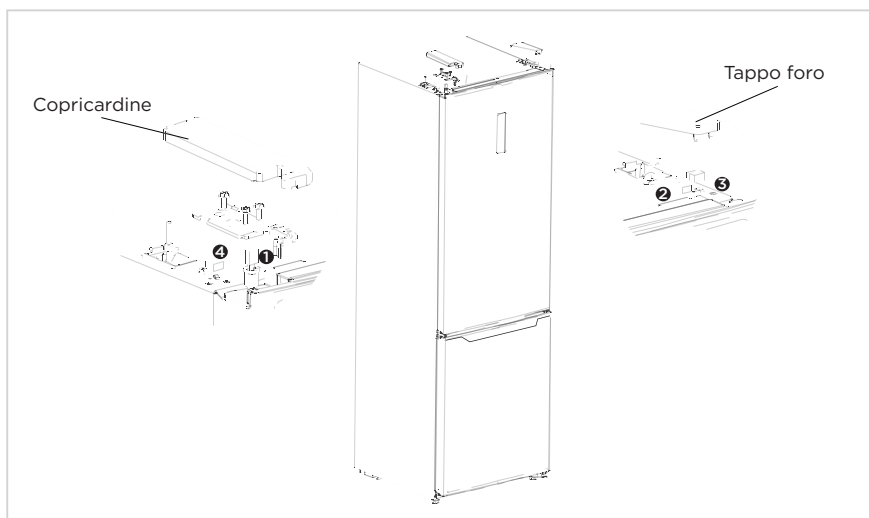


6. Mettere la porta di congelamento sulla cerniera inferiore, installare la cerniera centrale, i tappi dei fori, il coperchio della vite e l'adesivo.



IT

7. Estrarre la cerniera superiore sinistra, il coperchio della cerniera superiore sinistra dalla confezione degli accessori. Mettere la porta di refrigerazione sulla cerniera centrale, installare la cerniera superiore. Collegare il terminale della linea di segnale ④ con il terminale della linea del segnale ①, collegare il terminale della linea del segnale ② con il terminale della linea del segnale ③; installare il coperchio della cerniera superiore e il coperchio del foro.



**● ATTENZIONE**

L'immagine sopra è solo per riferimento. La configurazione attuale dipenderà dal prodotto fisico o dalla dichiarazione del distributore.

## Posizionamento

- Prima dell'uso, rimuovere tutti i materiali di imballaggio, compresi i cuscini inferiori, i cuscinetti di schiuma e i nastri all'interno del frigorifero; rimuovere la pellicola protettiva sulle porte e sul corpo del frigorifero.
- Tenerlo lontano da fonti di calore ed evitare la luce solare diretta. Non posizionare il congelatore in posto umido o acquoso per prevenire la ruggine o la riduzione dell'effetto isolante.
- Non spruzzare liquido sul frigorifero né lavarlo; non posizionare il frigorifero in luoghi umidi con presenza di acqua in modo da non influire sulle proprietà di isolamento elettrico del frigorifero.
- Il frigorifero deve essere posto in un luogo interno ben ventilato; il pavimento deve essere piatto e resistente (girare le ruote del frigo a sinistra o a destra per garantire un livellamento corretto).

IT



## Piedini di livellamento

Per evitare vibrazioni, l'unità deve essere livellata.

Se necessario, regolare le viti di livellamento per compensare il pavimento irregolare.

Il lato anteriore dovrebbe essere leggermente più alto rispetto al lato posteriore per aiutare nella chiusura della porta.

Le viti di livellamento possono essere girate facilmente ribaltando leggermente il gabinetto.

Ruotare le viti di livellamento in senso antiorario  per sollevare l'unità, in senso orario  per abbassarla.

## Spostamento dell'apparecchio

1. Rimuovere tutto l'alimento dall'interno dell'apparecchio.
2. Estrarre la spina di alimentazione, inserirla e fissarla nel gancio della spina di alimentazione sulla parte posteriore o sulla parte superiore dell'apparecchio.
3. Parti di nastro come ripiani e maniglia della porta per evitare la caduta durante lo spostamento dell'apparecchio.
4. Spostare attentamente l'apparecchio con più di due persone. Durante il trasporto dell'apparecchio su una lunga distanza, tenerlo in posizione verticale.
5. Dopo l'installazione dell'apparecchio, collegare la spina di alimentazione a una presa d'uscita per accendere l'apparecchio.

### **ATTENZIONE**

Precauzioni prima dell'operazione:

Prima di apportare modifiche, il frigorifero deve essere scollegato dall'alimentazione. Devono essere prese precauzioni per prevenire possibili lesioni.

## Cambiare la luce

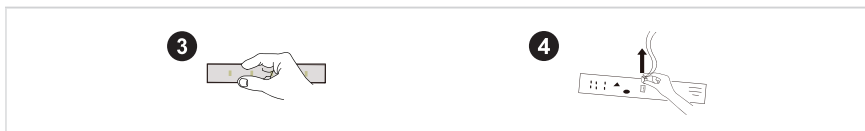
- Qualsiasi sostituzione o manutenzione delle lampade a LED deve essere gestita dal produttore, dal suo agente di assistenza o da un tecnico qualificato simile. Questo prodotto contiene una luce di classe di efficienza energetica <F>.

### Passaggio

1. Si prega di estrarre la spina prima della rimozione.
2. Rimuovere il paralume con un cacciavite.



3. Abbassare il pannello della lampadina.
4. Rimuovere il terminale di connessione.



## Collegare l'apparecchio

In caso di primo utilizzo, tenere fermo il frigorifero per mezz'ora prima di collegarlo all'alimentazione.

### ● ATTENZIONE

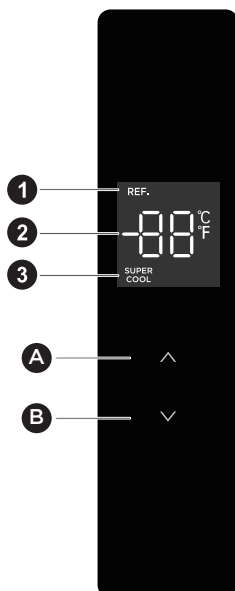
Prima di inserire alimenti freschi o congelati, il frigorifero deve aver funzionato per 2-3 ore, o per più di 4 ore in estate quando la temperatura ambiente è elevata.

## Consigli per il risparmio energetico

- L'apparecchio deve essere posizionato nella zona più fresca della stanza, lontano da dispositivi che producono calore o da condotti di riscaldamento e lontano dalla luce solare diretta.
- Lasciare raffreddare i cibi caldi a temperatura ambiente prima di riporli nel frigorifero. Il sovraccarico dell'apparecchio costringe il compressore a lavorare per più tempo. Gli alimenti che si congelano troppo lentamente perderebbero qualità o deteriorarsi.
- Assicurarsi di avvolgere correttamente gli alimenti e asciugare i contenitori prima di inserirli nell'apparecchio. In questo modo si riduce la formazione di brina all'interno dell'apparecchio.
- Il cestino dell'apparecchio non deve essere rivestito con fogli di alluminio, carta cerata o carta per cucina. I rivestimenti interferiscono con la circolazione dell'aria fredda, rendendo l'apparecchiatura meno efficiente.
- Organizzare ed etichettare gli alimenti per ridurre le aperture delle porte e le ricerche per lungo tempo. Rimuovete tutti gli elementi necessari una volta e chiudete la porta il prima possibile.

# ISTRUZIONI PER L'USO

## Pannello di controllo



IT

### **ATTENZIONE**

L'immagine sopra è solo per riferimento. La configurazione attuale dipenderà dal prodotto fisico o dalla dichiarazione del distributore.

### **Pulsante di impostazione**

- |          |  |
|----------|--|
| <b>A</b> | Pulsante Temperature up (Aumento della temperatura)        |
| <b>B</b> | Pulsante Temperature down (Abbassamento della temperatura) |

### **Display**

- |          |   |
|----------|---|
| <b>1</b> | Icona Refrigerating (Raffreddamento)                          |
| <b>2</b> | Icona Temperature display (Visualizzazione della temperatura) |
| <b>3</b> | Icona Super freezing (Super congelamento)                     |

## Display

- Quando si accende il frigorifero per la prima volta, l'intero pannello del display rimane acceso per 3 secondi. Quindi il pannello del display entra nello stato di visualizzazione normale. La luce del display accende quando si apre la porta; Quando la porta si chiude, la luce del display si spegne. In caso di primo utilizzo del frigorifero, la temperatura di impostazione predefinita della camera di raffreddamento è di 5 °C.
- Quando si verifica un errore, il pannello del display mostra il codice di errore. In caso contrario, il pannello del display mostra la temperatura impostata.

## Impostazione della temperatura

- Premere il pulsante di aumento della temperatura "▲" per regolare la temperatura, con ogni clic sul pulsante di aumento della temperatura "▲", la temperatura verrà aumentata di 1 °C; Premere il pulsante di riduzione della temperatura "▼" per regolare la temperatura, con ogni clic del pulsante di riduzione della temperatura "▼", la temperatura verrà ridotta di 1 °C; L'intervallo di impostazione della temperatura della camera di raffreddamento è 2 - 8 °C. Quando la temperatura viene regolata sul valore limite, il frigorifero emette un allarme quando viene premuto il pulsante di aumento della temperatura "▲" o il pulsante di aumento della temperatura "▼".

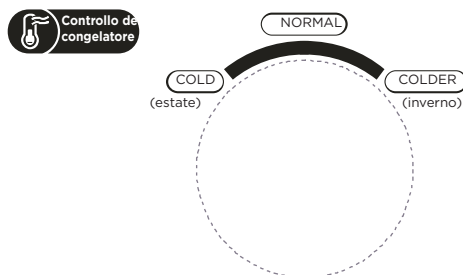
## Impostare la modalità

- Impostare la Modalità Super cooling (Raffreddamento Super): dopo aver regolato la temperatura della camera di raffreddamento a 2 °C, premere il pulsante di riduzione della temperatura "▼" per accedere alla Modalità Super cooling (Raffreddamento Super). Nella modalità Super Raffreddamento, la temperatura della camera di refrigerazione viene impostata automaticamente a 2°C.
- Uscire dalla Modalità Super cooling (Raffreddamento Super): premere il pulsante di aumento della temperatura "▲" per uscire dalla Modalità Super cooling (Raffreddamento Super), o attendere che tale modalità si disattivi automaticamente dopo 6 ore. Dopo l'uscita dalla modalità super raffreddamento, la temperatura del frigorifero tornerà automaticamente alla temperatura impostata prima della modalità super raffreddamento.

## Controllo dell'allarme di apertura

- Se la porta non viene chiusa entro due minuti, il cicalino suonerà fino alla chiusura della porta. Premere un pulsante qualsiasi per interrompere l'allarme acustico.

## La regolazione della temperatura può disattivare la Modalità di rapid cooling (raffreddamento rapido).



## Controllo della temperatura della camera di congelamento

- La temperatura di congelamento è relativamente bassa in posizione "COLDER (PIÙ FREDDA)", mentre la temperatura di congelamento è relativamente alta in posizione "COLD (FREDDA)", quindi viene generalmente utilizzata la posizione "NORMAL (NORMALE)".
- Quando la temperatura ambiente è elevata in estate, la temperatura deve essere compresa tra "NORMAL (NORMALE)" e "COLD (FREDDA)". Se la temperatura ambiente è superiore a 35°C, prevale la posizione "COLD (FREDDA)".
- Quando la temperatura ambiente è bassa in inverno, la temperatura deve essere compresa tra "NORMAL (NORMALE)" e "COLDER (PIÙ FREDDA)". Se la temperatura ambiente è inferiore a 10°C, deve prevalere la posizione "COLDER (PIÙ FREDDA)".

IT

## Avviso ed allarme sull'apertura della porta

- Quando si apre la porta del frigorifero, viene emesso un segnale acustico. Se la porta non viene chiusa entro due minuti, il cicalino continuerà a suonare fino a quando la porta non viene chiusa. Premere un pulsante qualsiasi per interrompere l'allarme acustico.

## Codice di errore

- Le seguenti avvertenze visualizzate sul display indicano gli errori in questione del frigorifero.
- Sebbene il frigorifero rimane funzionante con la funzione di conservazione a freddo in caso di seguenti errori, l'utente deve contattare il tecnico di manutenzione per la risoluzione dei problemi, in modo da garantire un funzionamento ottimizzato dell'apparecchio.

Codice di errore	Descrizione dell'errore
E1	Guasto al sensore di temperatura della camera refrigerata
E2	Guasto al sensore di temperatura della camera di congelamento
E3	Guasto del sensore di temperatura del cassetto freddo
E5	Errore del circuito di rilevamento del sensore di sbrinamento di congelamento
E6	Errore di comunicazione
E7	Guasto al sensore di temperatura dell'ambiente

## Camera refrigerata

- La camera di raffreddamento è adatta per la conservazione di una varietà di frutta, verdura, bevande e altri alimenti da consumare entro breve periodo, il tempo di conservazione suggerito varia da 3 giorni a 5 giorni.
- Prima di inserire gli alimenti nella camera di raffreddamento, raffreddarli a temperatura ambiente.
- Si raccomanda di sigillare gli alimenti prima di metterli in frigorifero.
- I ripiani in vetro possono essere regolati verso l'alto o verso il basso per modificare lo spazio di conservazione, il quale consente il facile utilizzo.

## Camera di congelamento

- La camera di congelamento a bassa temperatura può mantenere il cibo fresco per lungo tempo e viene utilizzata principalmente per conservare gli alimenti surgelati e produrre il ghiaccio.
- La camera di congelamento è adatta per la conservazione di carne, pesce, polpette di riso e altri alimenti da non consumare a breve termine.
- Preferibilmente, dividere la carne in piccoli pezzi per consentire un rapido congelamento e un facile accesso. Notate che il cibo deve essere consumato entro il tempo di conservazione.

## Cassetto freddo

- Adatto a conservazione a breve termine (1-3 giorni) del pesce fresco, carne fresca, cibo fresco, ecc.
- Vicino alla parte posteriore e inferiore del cassetto, il cibo potrebbe essere congelato, per cui evitare di posizionare il cibo che non può essere congelato in questa parte.
- Si suggerisce la classificazione degli alimenti e l'utilizzo del pacchetto sigillante.

### ATTENZIONE

Nota: La conservazione di una quantità eccessiva di cibo durante il funzionamento dopo il collegamento iniziale all'alimentazione può influire negativamente sull'effetto di congelamento del frigorifero.

N.	TIPO DI compartimenti	Temperatura di conservazione dell'obiettivo. [°C]	Alimenti adeguati
1	Frigorifero	+2 - +8	Uova, cibi cotti, alimenti confezionati, frutta e verdura, latticini, torte, bevande e altri alimenti non sono adatti per il congelamento.
2	(***)*-Congelatore	≤-18	Frutti di mare (pesce, gamberi, crostacei), prodotti acquatici d'acqua dolce e prodotti a base di carne (consigliati per 3 mesi, più lungo è il periodo di conservazione, peggiore è il gusto e la nutrizione), adatti per alimenti freschi congelati.
3	***-Congelatore	≤-18	Frutti di mare (pesce, gamberi, crostacei), prodotti acquatici d'acqua dolce e prodotti a base di carne (consigliati per 3 mesi, più lungo è il periodo di conservazione, peggiore è il gusto e la nutrizione), adatti per alimenti freschi congelati.
4	**-Congelatore	≤-12	Frutti di mare (pesce, gamberi, crostacei), prodotti acquatici d'acqua dolce e prodotti a base di carne (consigliati per 3 mesi, più lungo è il periodo di conservazione, peggiore è il gusto e la nutrizione), adatti per alimenti freschi congelati.
5	*-Congelatore	≤-6	Frutti di mare (pesce, gamberi, crostacei), prodotti acquatici d'acqua dolce e prodotti a base di carne (consigliati per 3 mesi, più lungo è il periodo di conservazione, peggiore è il gusto e la nutrizione), adatti per alimenti freschi congelati.
6	0-stelle	-6 - 0	Freschi carne, manzo, pesce, pollo, alcuni alimenti confezionati, ecc. (consigliato da mangiare entro lo stesso giorno, preferibilmente non più di 3 giorni). Alimenti trasformati parzialmente incapsulati (alimenti non congelati).
7	Freddo	-2 - +3	Freschi/congelati carne di maiale, manzo, pollo, prodotti acquatici d'acqua dolce, ecc. (7 giorni sotto 0 °C e sopra 0°C sono raccomandati per il consumo entro quel giorno, preferibilmente non più di 2 giorni). Frutti di mare (meno di 0 per 15 giorni, non è raccomandato conservare a temperatura superiore a 0°C).
8	Alimenti freschi	0 - +4	Freschi porco, manzo, pesce, pollo, cibo cotto, ecc. (consigliato da mangiare entro lo stesso giorno, preferibilmente non più di 3 giorni)
9	Vino	+5 - +20	Vino rosso, vino bianco, spumante, ecc.

### ATTENZIONE

si prega di conservare alimenti diversi in base agli scomparti o alla temperatura di conservazione desiderata dell'acquisto



# PULIZIA E MANUTENZIONE

## Pulizia generale

- Le polveri dietro il frigorifero e sul pavimento devono essere pulite tempestivamente per migliorare l'effetto di raffreddamento e il risparmio energetico.
- Controllare regolarmente la guarnizione della porta per assicurarsi che non ci siano detriti. Pulite la guarnizione della porta con un panno morbido inumidito con acqua saponosa o detergente diluito.
- L'interno del frigorifero deve essere pulito regolarmente per evitare l'odore.
- Si prega di spegnere l'alimentazione prima di pulire l'interno del frigorifero, rimuovere tutti i cibi, bevande, scaffali, cassette, ecc.
- Utilizzare un panno morbido o una spugna per pulire l'interno del frigorifero, insieme con due cucchiaini di bicarbonato di sodio e un litro di acqua tiepida. Poi risciacquate e pulite con un panno. Dopo la pulizia, aprite la porta e lasciatela asciugare naturalmente prima di accendere la corrente.
- Per le aree difficili da pulire nel frigorifero (come ripiani stretti, spazi vuoti o angoli), si consiglia di pulirli regolarmente con uno straccio morbido, una spazzola morbida, ecc. E quando necessario, usare alcuni strumenti ausiliari (come bastoncini sottili) per garantire che non si accumulino contaminanti o batteri in queste aree.
- Non usare sapone, detergente, scrub in polvere, detergente spray, ecc., in quanto potrebbero causare odori all'interno del frigorifero e contaminare gli alimenti.
- Pulire il ripiano delle bottiglie, i vari scaffali e i cassette con un panno morbido inumidito con acqua saponata o detergente diluito. Asciugate con un panno morbido o asciugate naturalmente.
- Pulire la superficie esterna del frigorifero con un panno morbido inumidito con acqua saponata, detergente, ecc., quindi asciugare.
- Non utilizzare spazzole dure, paglietta d'acciaio, spazzole metalliche, abrasivi (come dentifrici), solventi organici (come alcool, acetone, olio di banana, ecc.), acqua bollente, oggetti acidi o alcalini, che potrebbero danneggiare la superficie e l'interno del frigorifero. L'acqua bollente e i solventi organici come il benzene possono deformare o danneggiare le parti in plastica.
- Non risciacquare direttamente con acqua o altri liquidi durante la pulizia per evitare cortocircuiti o compromettere l'isolamento elettrico dopo l'immersione.

### ATTENZIONE

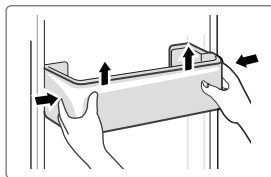
Si prega di scollegare il frigorifero per lo sbrinamento e la pulizia.

## Sbrinamento

- Il frigorifero è realizzato sulla base del principio di raffreddamento ad aria e quindi ha la funzione di sbrinamento automatico. La brina formatasi a causa del cambio di stagione o della temperatura può anche essere rimossa manualmente scollegando l'apparecchio dalla rete elettrica o strofinando con un panno asciutto.

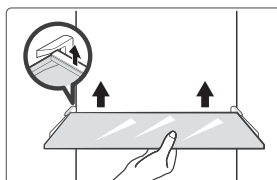
## Pulizia del vassoio della porta

- Secondo la freccia di direzione nella figura seguente, utilizzare entrambe le mani per stringere il vassoio e spingerlo verso l'alto, quindi estrarlo.
- Dopo aver lavato il vassoio rimosso, è possibile modificare la sua altezza di installazione in base alle proprie esigenze.



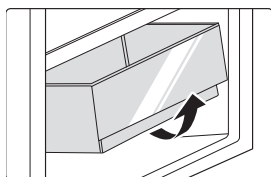
## Pulizia del vassoio della porta

- La parte più interna del rivestimento del frigorifero che tocca i ripiani ha una protezione, per cui è necessario sollevare i ripiani verso l'alto, quindi estrarlo.
- Regolare o pulire i ripiani in base alle proprie esigenze.



## Pulire il cassetto delle verdure

1. Rimuovere il contenuto del cassetto. Tenere la maniglia del cassetto delle verdure e tirarlo fuori completamente finché non si ferma.
2. Sollevare il cassetto delle verdure e rimuoverlo tramite estrarlo.



## Fuori servizio

### Interruzione dell'alimentazione:

In caso di mancanza di corrente, anche se è d'estate, i cibi all'interno dell'apparecchio possono essere conservati per diverse ore; durante l'interruzione di corrente, le volte di apertura della porta devono essere ridotte e non devono più essere introdotti alimenti freschi nell'apparecchio.

### Inutilizzo per lungo tempo:

L'apparecchio deve essere scollegato e quindi pulito; quindi le porte vengono lasciate aperte per evitare l'odore.

### Spostamento:

Prima che il frigorifero venga spostato, prendere tutti gli oggetti all'interno, fissare le partizioni di vetro, il supporto vegetale, i cassetti della camera di congelamento e così via con nastro adesivo e stringere i piedini di livellamento; chiudere le porte e fissarle con il nastro adesivo. Durante lo spostamento, l'apparecchio non deve essere appoggiato capovolto o orizzontalmente, né deve essere sottoposto a vibrazioni; l'inclinazione durante il movimento non deve essere superiore a 45°.

### ● ATTENZIONE

L'apparecchio deve funzionare continuamente una volta avviato. In generale, il funzionamento dell'apparecchio non deve essere limitato; in caso contrario, la durata della vita dell'apparecchio potrebbe essere compromessa.

# RISOLUZIONE DEI PROBLEMI

I seguenti semplici problemi possono essere gestiti dall'utente. Si prega di contattare il servizio di assistenza post-vendita se i problemi non vengono risolti.

Problema	Possibile ragione
Operazione fallita	<ul style="list-style-type: none"> <li>Controllare se l'apparecchio è collegato all'alimentazione o se la spina è stata inserita bene</li> </ul>
	<ul style="list-style-type: none"> <li>Controllare se la tensione è troppo bassa</li> </ul>
	<ul style="list-style-type: none"> <li>Controllare se si è verificata un'interruzione di corrente o se i circuiti parziali hanno saltato</li> </ul>
Odore	<ul style="list-style-type: none"> <li>Gli alimenti odorosi devono essere avvolti in confezione ermeticamente</li> </ul>
	<ul style="list-style-type: none"> <li>Controllare se c'è cibo marcio</li> </ul>
	<ul style="list-style-type: none"> <li>Pulire l'interno del frigorifero</li> </ul>
Funzionamento da lungo tempo del compressore	<ul style="list-style-type: none"> <li>Il funzionamento prolungato del frigorifero è normale in estate quando la temperatura ambiente è elevata</li> </ul>
	<ul style="list-style-type: none"> <li>Non è consigliabile avere troppo cibo nell'apparecchio contemporaneamente</li> </ul>
	<ul style="list-style-type: none"> <li>Il cibo deve raffreddarsi prima di essere messo nell'apparecchio</li> </ul>
	<ul style="list-style-type: none"> <li>Le porte vengono aperte troppo frequentemente</li> </ul>
La luce non si accende	<ul style="list-style-type: none"> <li>Controllare se il frigorifero è collegato all'alimentazione elettrica e se la luce è danneggiata</li> </ul>
	<ul style="list-style-type: none"> <li>Far sostituire la luce da uno specialista</li> </ul>
La porta non può essere chiusa correttamente	<ul style="list-style-type: none"> <li>La porta è bloccata da pacchetti di cibo</li> </ul>
	<ul style="list-style-type: none"> <li>Il frigorifero è inclinato.</li> </ul>
Forte rumore	<ul style="list-style-type: none"> <li>Controllare se il pavimento è in piano e se il frigorifero è posizionato stabilmente</li> </ul>
	<ul style="list-style-type: none"> <li>Controllare se gli accessori sono collocati in posizioni corrette</li> </ul>

Problema	Possibile ragione
La guarnizione della porta non è a tenuta	<ul style="list-style-type: none"> <li>• Rimuovere corpi estranei sulla guarnizione della porta</li> <li>• Riscaldare la guarnizione della porta e quindi raffreddarla per il ripristino (o soffiarla con un asciugacapelli elettrico o utilizzare un asciugamano caldo per il riscaldamento)</li> </ul>
Fuoriuscite della vaschetta d'acqua	<ul style="list-style-type: none"> <li>• C'è troppo cibo nel compartimento o il cibo conservato contiene troppa acqua, con conseguente intensivo scongelamento</li> <li>• Le porte non sono chiuse correttamente, con conseguente gelo dovuto all'ingresso di aria e aumento dell'umidità dovuta allo sbrinamento</li> </ul>
Ambiente caldo	<ul style="list-style-type: none"> <li>• La dissipazione del calore del condensatore incorporato avviene attraverso l'alloggiamento, il che è normale. Quando l'alloggiamento diventa caldo a causa dell'elevata temperatura ambiente, per via di conservazione di troppo cibo o dello spegnimento del compressore, bisogna a questo punto fornire una ventilazione sufficiente per facilitare la dissipazione del calore.</li> </ul>
Condensa superficiale	<ul style="list-style-type: none"> <li>• La condensa sulla superficie esterna e sulle guarnizioni delle porte del frigorifero è normale quando l'umidità dell'ambiente è troppo elevata. Basta pulire la condensa con un panno pulito.</li> </ul>
Rumore anormale	<ul style="list-style-type: none"> <li>• Ronzio: Il compressore può produrre ronzii durante il funzionamento e i ronzii sono forti soprattutto all'avvio o all'arresto. È normale.</li> <li>• Stridio: Il refrigerante che scorre all'interno dell'apparecchio può produrre scricchiolii, il che è normale.</li> </ul>

# APPENDICE

**Il prodotto è progettato per essere conforme con lo Standard Europeo nuovo.**

Le parti da ordinare nella tabella seguente possono essere acquisite dal canale del fornitore di servizi

Parte da ordinare	Fornito da	Tempo minimo richiesto per la fornitura
Termostati	Personale di manutenzione professionale	Almeno 7 anni dopo il lancio sul mercato dell'ultimo modello
Sensori di temperatura	Personale di manutenzione professionale	Almeno 7 anni dopo il lancio sul mercato dell'ultimo modello
Circuiti stampati	Personale di manutenzione professionale	Almeno 7 anni dopo il lancio sul mercato dell'ultimo modello
Sorgenti luminose	Personale di manutenzione professionale	Almeno 7 anni dopo il lancio sul mercato dell'ultimo modello
Maniglie	Riparatori professionali e utenti finali	Almeno 7 anni dopo il lancio sul mercato dell'ultimo modello
Cerniere della porta	Riparatori professionali e utenti finali	Almeno 7 anni dopo il lancio sul mercato dell'ultimo modello
Vassoi	Riparatori professionali e utenti finali	Almeno 7 anni dopo il lancio sul mercato dell'ultimo modello
Cestini	Riparatori professionali e utenti finali	Almeno 7 anni dopo il lancio sul mercato dell'ultimo modello
Guarnizioni della porta	Riparatori professionali e utenti finali	Almeno 10 anni dopo il lancio sul mercato dell'ultimo modello

## Caro cliente

1. Se desiderate restituire o sostituire il prodotto, contattate il negozio dove hai acquistato.

(Ricordatevi di portare la fattura di acquisto)

2. Se il vostro prodotto si guasta e deve essere riparato, contattate il fornitore del servizio post-vendita.

## ● ATTENZIONE

Le informazioni sul modello nel database del prodotto, così come l'identificatore del modello, sono disponibili sulla pagina web scansionando il codice QR, se presente, sull'etichetta energetica del prodotto.

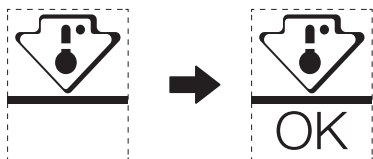
Per ulteriori informazioni sull'efficienza energetica dell'apparecchio, visitare <https://ec.europa.eu> e inserire il nome del modello

Il nome del modello è riportato sull'etichetta di classificazione dell'apparecchio.

## Zona più fredda nel frigorifero

### OPZIONALE: Indicatore OK-temperatura

- L'indicatore di Temperatura OK può essere utilizzato per determinare temperature inferiori a +4°C. Ridurre gradualmente la temperatura se l'indicatore non mostra "OK".



- Per garantire la temperatura in quest'area, non modificare il posizionamento dello scaffale. Frigoriferi ad aria forzata (dotati di ventilatore o modelli Senza Gelo), il simbolo della zona più fredda non è rappresentato perché la temperatura interna è omogenea.

### Impostazione dell'indicatore di temperatura

- Per configurare il frigorifero, è presente un indicatore di temperatura che monitora la temperatura media nella zona più fredda.
- **AVVERTENZA:** questo indicatore è destinato a funzionare solo con il frigorifero, non utilizzarlo in un altro frigorifero (in effetti, la zona più fredda non è la stessa in un frigo diverso) o per qualsiasi altro uso.

### Controllare la temperatura nella zona più fredda

- Con l'indicatore di temperatura, è possibile verificare regolarmente che la temperatura della zona più fredda sia corretta. Infatti, la temperatura interna del frigorifero dipende da diversi fattori come la temperatura ambiente della stanza, la quantità di alimento conservato e la frequenza di apertura della porta. Prendere in considerazione questi fattori per l'impostazione del dispositivo.
- Quando l'indicatore mostra "OK", significa che il termostato è ben regolato e la temperatura interna è corretta.
- Se l'indicatore di temperatura diventa BIANCO, significa che la temperatura è troppo alta; in questo caso, aumentare la temperatura del frigorifero e aspettare per 12 ore prima di controllare visivamente di nuovo l'indicatore. Quando si mette l'alimento fresco o la porta è stata lasciata aperta, è possibile che l'indicatore di temperatura diventi BIANCO dopo un periodo.

## LETTRE DE REMERCIEMENT

Merci d'avoir choisi Midea ! Avant d'utiliser votre nouveau produit Midea, veuillez lire attentivement ce manuel afin de vous assurer que vous savez comment utiliser les caractéristiques et fonctions de votre nouvel appareil en toute sécurité.

# TABLE DES MATIÈRES

LETTRE DE REMERCIEMENT .....	01
SPÉCIFICATIONS .....	02
GÉNÉRALITÉS DU PRODUIT .....	03
INSTALLATION DU PRODUIT .....	04
INSTRUCTIONS D'OPÉRATION .....	12
NETTOYAGE ET ENTRETIEN.....	17
DÉPANNAGE .....	19
ANNEXE .....	21

FR

# SPÉCIFICATIONS

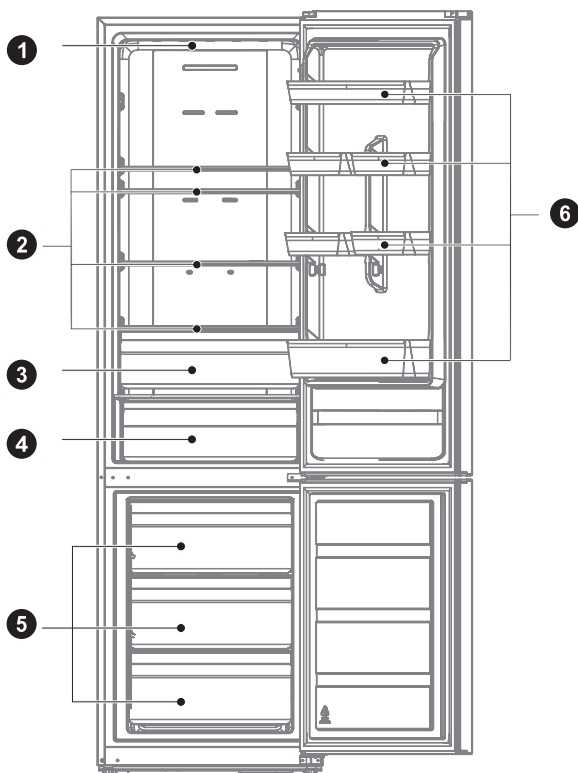
<b>Modèle du produit</b>	<b>MDRB489FGE</b>
Volume du compartiment de stockage des aliments frais	247 L
Volume de stockage des aliments congelés	83 L
Type de dégivrage	Dégivrage automatique
Temps d'élévation de température	8 h
Capacité de congélation	4 kg/24h
Tension/Fréquence nominale	220-240V-/50Hz
Courant nominal	0,7 A
Dimension globale (H x L x P)	2010x595x635 mm

FR



# GÉNÉRALITÉS DU PRODUIT

## Noms des composants



- |   |                             |   |                     |
|---|-----------------------------|---|---------------------|
| 1 | Éclairage LED               | 4 | Tiroir réfrigérant  |
| 2 | Étagère                     | 5 | Tiroir              |
| 3 | Boîte des fruits et légumes | 6 | Plateau de la porte |

### ● ATTENTION

La figure ci-dessus est seulement à titre indicatif. La configuration réelle dépendra du produit physique ou de la déclaration du distributeur

# INSTALLATION DU PRODUIT

## Instructions d'installation

### Pour les appareils de réfrigération de la classe climatique

- En fonction de la classe climatique, cet appareil de réfrigération est destiné à être utilisé dans les plages de température ambiante indiquées dans le tableau suivant.
- La classe climatique est indiquée sur la plaque signalétique. Le produit peut ne pas fonctionner correctement à des températures hors de la plage spécifiée.
- Vous trouverez la classe climatique sur l'étiquette du produit.

FR

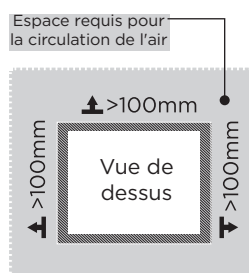
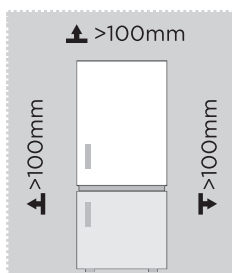
### Plage de température effective

- Le produit est conçu pour fonctionner normalement dans le cadre de la plage de température spécifiée par sa classe.

Classe	Symbole	Plage de température ambiante °C	
		IEC 62552 (ISO 15502)	ISO 8561
Sub-tempéré	SN	+ 10 à + 32	+ 10 à + 32
Tempéré	N	+ 16 à + 32	+ 16 à + 32
Subtropical	ST	+ 18 à + 38	+ 16 à + 38
Tropical	T	+ 18 à + 43	+ 16 à + 43

### Dimensions et dégagements

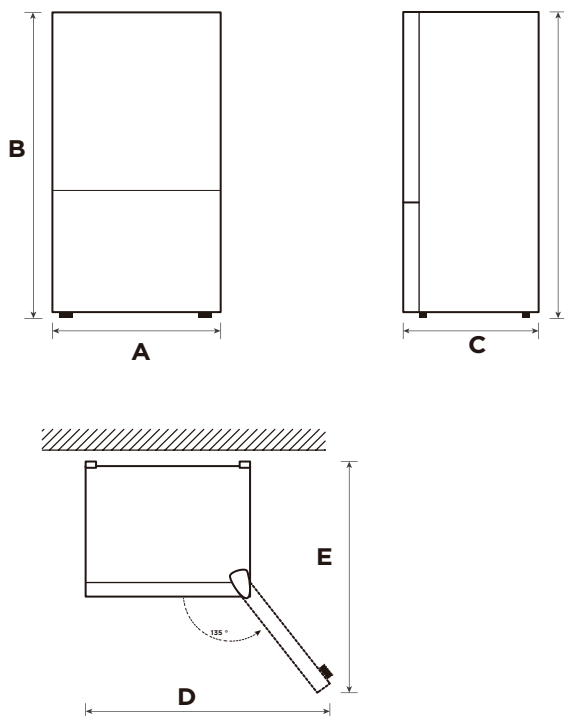
- Une distance trop faible par rapport aux éléments adjacents peut entraîner une dégradation de la capacité de congélation et une augmentation des coûts d'électricité. Prévoyez plus de 100mm de dégagement par rapport à chaque mur adjacent lors de l'installation de l'appareil.



### ATTENTION

La figure ci-dessus est seulement à titre indicatif. La configuration réelle dépendra du produit physique ou de la déclaration du distributeur

Schéma de l'espace requis (lorsque la porte est ouverte et lorsque la porte est fermée)



FR

Largeur	Hauteur totale	Profondeur	Largeur des portes ouvertes à 135°	Profondeur des portes ouvertes à 135°
A	B	C	D	E
595	2010	635	1016	1186

Remarque : Toutes les dimensions sont en mm

## Changement de porte droite-gauche (en option)

En fonction de l'endroit où vous prévoyez d'utiliser votre réfrigérateur, vous trouverez peut-être plus pratique d'inverser la position de la porte.

### ATTENTION

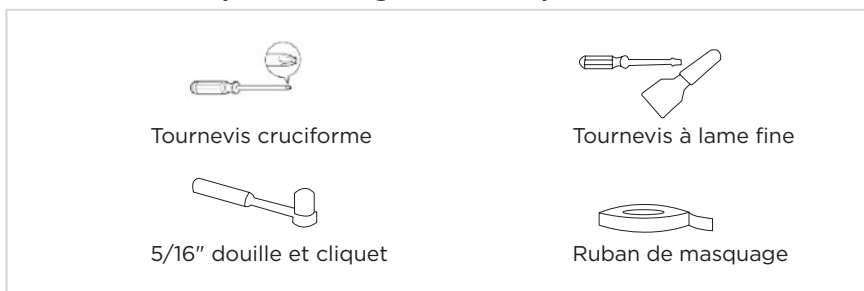
ATTENTION : Pour éviter de vous blesser ou d'endommager vos biens, nous vous recommandons qu'une personne vous aide pendant le processus d'inversion de la porte.

Préparation de l'inversion de la position de la porte

Vous en aurez besoin : Un tournevis standard, un tournevis Phillips et la clé Allen fournie.

- Assurez-vous que votre réfrigérateur est débranché et vide.
- Ayez quelqu'un de disponible pour vous aider dans le processus.
- Conservez toutes les pièces que vous retirez pour les réutiliser plus tard.

### Outils nécessaires pour le changement de la porte :

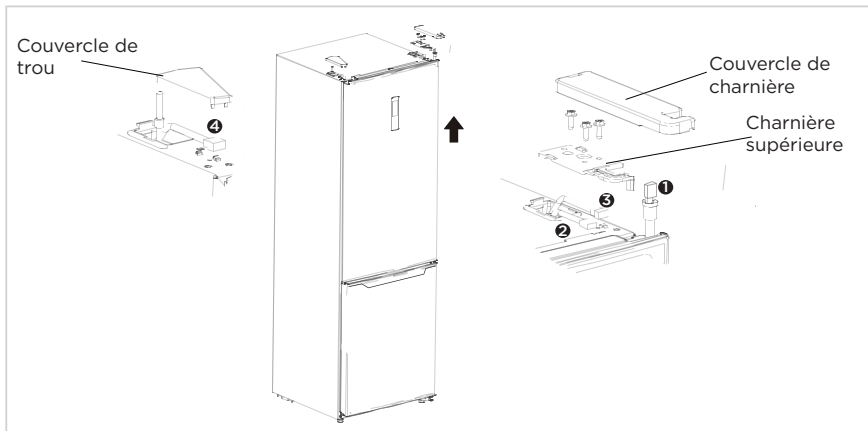


### Pièces à utiliser pour l'inversion des portes

N°	Désignation	Nombre	Notes
1	Manchon d'arbre	1	Pré-installées sur le réfrigérateur et à utiliser lors du changement de porte
2	Vis de la charnière supérieure	1	
3	Butoir droit	1	Pré-installés sur le réfrigérateur, retiré lorsque la porte est inversée, et conservé pour un usage ultérieur
4	Ensemble du couvercle de charnière	1	
5	Interrupteur de pilier	1	Pré-installé sur le réfrigérateur et à utiliser lors du changement de porte
6	Couvercle de la charnière droite	1	Pré-installés sur le réfrigérateur, retiré lorsque la porte est inversée, et conservé pour un usage ultérieur
7	Charnière supérieure droite	1	
8	Pied réglable	1	Pré-installé sur le réfrigérateur et à utiliser lors du changement de porte
9	Kit d'accessoires	3	Charnière supérieure gauche/Couvercle de la charnière supérieure gauche/Butoir gauche
10	Ensemble de la charnière inférieure	1	
11	Vis de la charnière inférieure	2	Pré-installés sur le réfrigérateur et à utiliser lors du changement de porte
12	Plaque de couvercle d'extrémité	1	
13	Couvercle de trou	1	

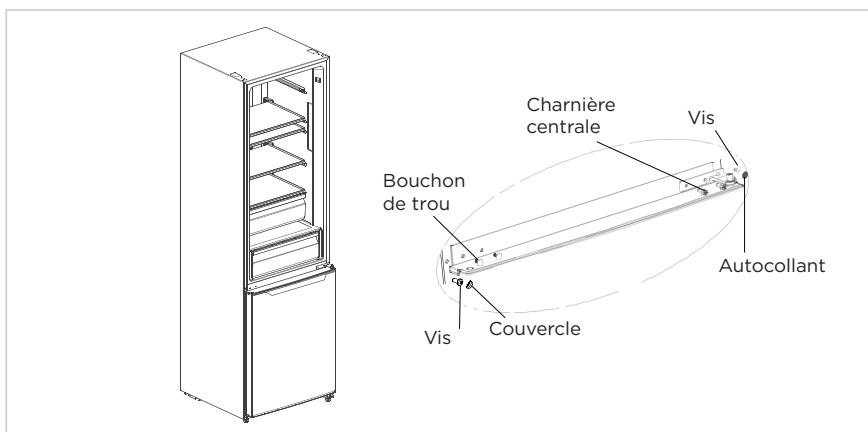
## Étape :

1. Veuillez éteindre cet appareil avant de procéder à cette opération. Retirez tous les aliments des étagères des portes. Fixez la porte à l'aide de cassettes.
2. Démontez le couvercle de la charnière supérieure, les vis et la charnière supérieure, et retirez le couvercle du trou de l'autre côté. Débranchez le connecteur de câblage sur le côté droit de la partie supérieure du réfrigérateur (❶, ❷ connecteur de câblage).

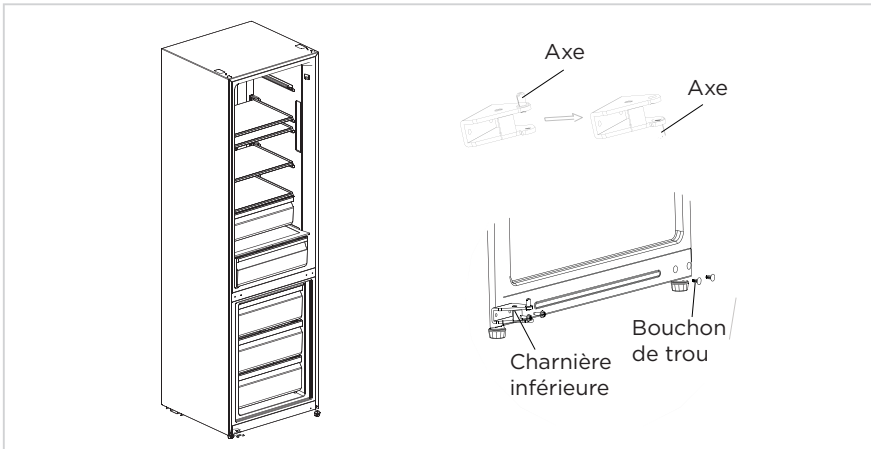


FR

3. Retirez la porte du compartiment réfrigérateur ainsi que les vis, le cache-vis, l'autocollant et la charnière centrale, le bouchon de trou.

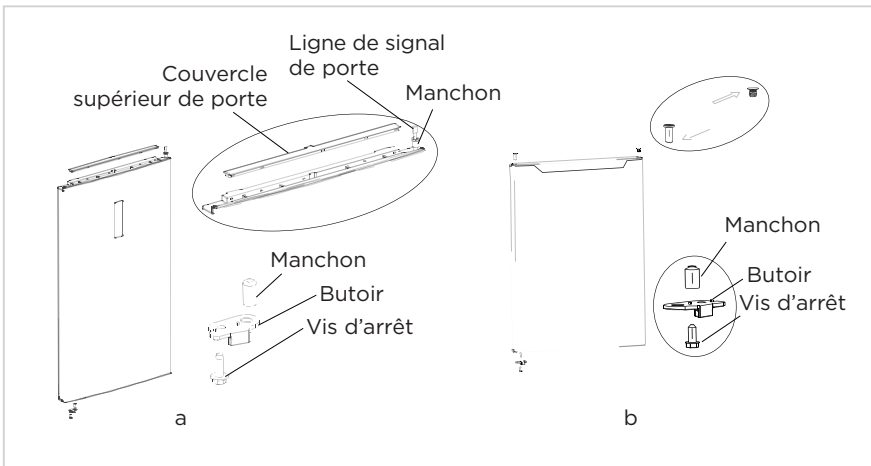


4. Retirez la porte du compartiment congélateur, démontez la charnière inférieure, les bouchons de trou. Installez l'arbre de la charnière inférieure de l'autre côté et installez la charnière inférieure de l'autre côté de la poutre inférieure.

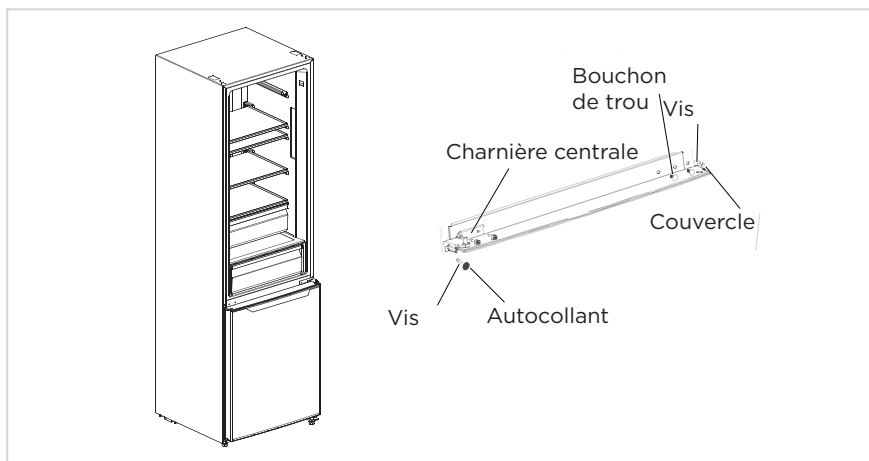


FR

5. a) Retirez le couvercle supérieur de la porte du compartiment réfrigérateur, installez la douille de charnière supérieure, la ligne de signal de la porte de l'autre côté et installez le couvercle supérieur de la porte. Démontez le butoir et le manchon de la partie inférieure droite de la porte du compartiment congélateur, retirez un autre butoir de rechange (pour la porte réversible), et assemblez le manchon et le butoir de rechange sur la partie inférieure gauche de la porte à l'aide de la vis. Installez le manchon de la charnière supérieure, la ligne de signalisation de la porte de l'autre côté et installez le couvercle supérieur de la porte.
- b) Démontez le butoir et le manchon de la partie inférieure droite de la porte du compartiment congélateur, retirez un autre butoir de rechange (pour la porte réversible), et assemblez le manchon et le butoir de rechange sur la partie inférieure gauche de la porte à l'aide de la vis. Enlevez le manchon et les bouchons de trou sur la porte du compartiment congélateur et montez-les de l'autre côté.

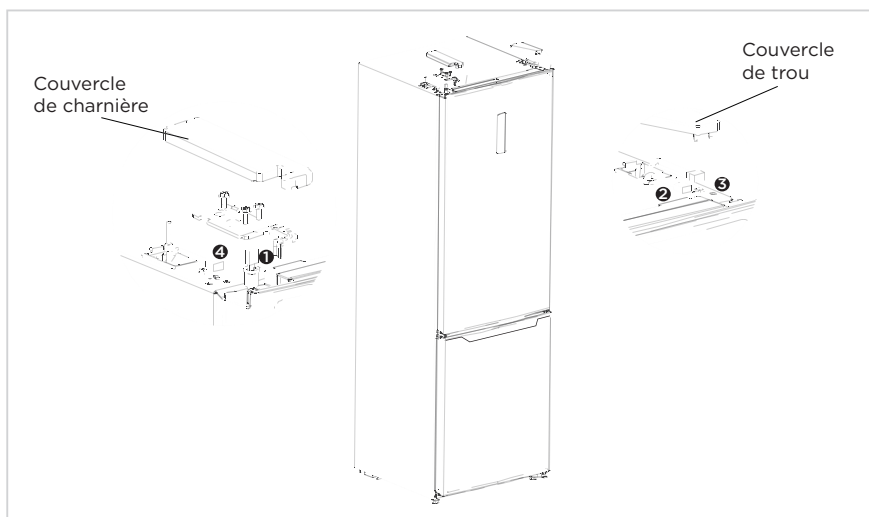


6. Placez la porte de congélation sur la charnière inférieure, installez la charnière centrale, les bouchons de trous, le cache-vis et l'autocollant.



FR

7. Retirez la charnière supérieure gauche et le couvercle de la charnière supérieure gauche de l'emballage des accessoires. Placez la porte du réfrigérateur sur la charnière centrale, installez la charnière supérieure. Connectez la borne de ligne de signal ④ avec la borne de ligne de signal ①, connectez la borne de ligne de signal ② avec la borne de ligne de signal ③ ; installez le couvercle de la charnière supérieure et le couvercle du trou.



**● ATTENTION**

La figure ci-dessus est seulement à titre indicatif. La configuration réelle dépendra du produit physique ou de la déclaration du distributeur.

## Emplacement

- Avant utilisation, retirez tous les matériaux d'emballage, y compris les coussins de fond, les coussins en mousse et les rubans adhésifs à l'intérieur du réfrigérateur ; déchirez le film de protection des portes et du corps du réfrigérateur.
- Tenez à l'écart de la chaleur et évitez la lumière directe du soleil. Ne placez pas le congélateur dans les endroits humides ou mouillés pour éviter la rouille ou la réduction de l'effet isolant.
- Ne vaporisez pas ou lavez pas le réfrigérateur ; ne placez pas le réfrigérateur dans des endroits humides et faciles à éclabousser avec de l'eau afin de ne pas affecter les propriétés d'isolation électrique du réfrigérateur.
- Le réfrigérateur est placé dans un endroit intérieur bien ventilé; le sol doit être plat et solide (tournez à gauche ou à droite pour régler la roue pour la mise à niveau si elle est instable).



FR

## Pied de nivellement

Pour éviter les vibrations, l'appareil doit être mis à niveau.

Si nécessaire, ajustez les vis de mise à niveau pour compenser les inégalités du sol. L'avant doit être légèrement plus haut que l'arrière pour faciliter la fermeture de la porte.

Les vis de mise à niveau peuvent être tournées facilement en inclinant légèrement l'armoire.

Tournez les vis de mise à niveau dans le sens inverse des aiguilles d'une montre  pour relever l'appareil et dans le sens des aiguilles d'une montre  pour l'abaisser.

## Déplacement de l'appareil

1. Retirez tous les aliments de l'intérieur de l'appareil.
2. Retirez la fiche d'alimentation, insérez-la et fixez-la dans le crochet de la fiche d'alimentation à l'arrière ou sur le dessus de l'appareil.
3. Fixez avec du ruban adhésif les pièces telles que les étagères et la poignée de la porte pour éviter qu'elles ne tombent lors du déplacement de l'appareil.
4. Déplacez l'appareil avec plus de deux personnes avec précaution. Lorsque vous transportez l'appareil sur une longue distance, maintenez-le en position verticale.
5. Après avoir installé l'appareil, branchez la fiche d'alimentation dans une prise de courant pour mettre l'appareil en marche.

### ATTENTION

Précautions avant l'opération :

Avant d'effectuer des modifications, le réfrigérateur doit être débranché de l'alimentation électrique. Des précautions doivent être prises pour éviter toute blessure corporelle.

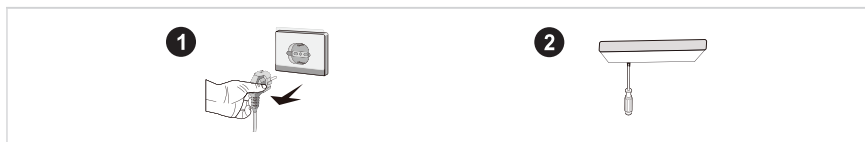


## Changement de la lampe

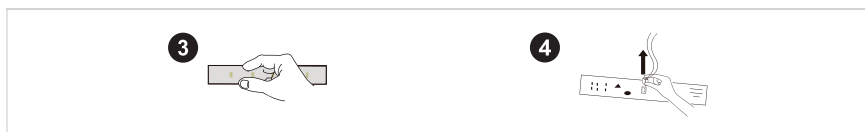
- Tout remplacement ou entretien des lampes LED doit être effectué par le fabricant, son agent de service ou une personne qualifiée similaire. Ce produit contient une source lumineuse de classe d'efficacité énergétique (F).

### Étape

1. Veuillez retirer la fiche avant de l'enlever.
2. Retirez l'abat-jour à l'aide d'un tournevis.



3. Démontez le panneau de la lampe.
4. Retirez la borne de connexion.



## Raccordement de l'appareil

Avant le premier démarrage, garder le réfrigérateur immobile pendant une demi-heure avant de le brancher à l'alimentation électrique.

### ● ATTENTION

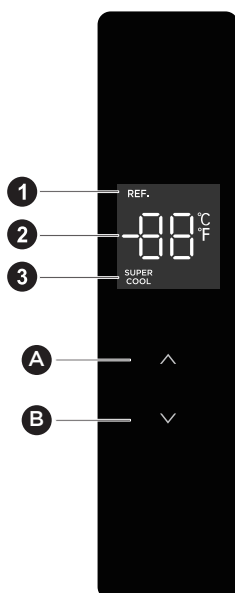
Avant de mettre des aliments frais ou congelés, le réfrigérateur doit avoir fonctionné pendant 2 à 3 heures, ou pendant plus de 4 heures en été lorsque la température ambiante est élevée.

## Conseils pour économiser l'énergie

- L'appareil doit être placé à l'endroit le plus frais de la pièce, loin des appareils produisant de la chaleur ou des conduits de chauffage, et à l'abri de la lumière directe du soleil.
- Laissez les aliments chauds refroidir à température ambiante avant de les mettre dans l'appareil. Une surcharge de l'appareil oblige le compresseur à fonctionner plus longtemps. Les aliments qui congèlent trop lentement peuvent perdre en qualité ou se gâter.
- Les aliments doivent être correctement emballés et séchés avant d'être mis dans l'appareil. Cela peut réduire l'accumulation de givre à l'intérieur de l'appareil.
- Le bac de stockage de l'appareil ne doit pas être couvert de papier d'aluminium, de papier ciré ou de serviettes en papier. Les doublures interfèrent avec la circulation de l'air froid, ce qui réduit l'efficacité de l'appareil.
- Organisez et étiquetez les aliments pour réduire les ouvertures de porte et les recherches pour longtemps. Retirez autant d'objets que nécessaire en une seule fois et fermez la porte dès que possible.

# INSTRUCTIONS D'OPÉRATION

## Panneau de commande



FR

### ATTENTION

La figure ci-dessus est seulement à titre indicatif. La configuration réelle dépendra du produit physique ou de la déclaration du distributeur.

### Bouton de réglage

- |          |  |
|----------|--|
| <b>A</b> | Bouton Temperature up (Augmentation de la température) |
| <b>B</b> | Bouton Temperature down (Réduction de la température)  |

### Écran d'affichage

- |          |   |
|----------|---|
| <b>1</b> | Icône Refrigerating (Réfrigération)                     |
| <b>2</b> | Icône Temperature display (Affichage de la température) |
| <b>3</b> | Icône Super freezing (Super congélation)                |

## Affichage

- Lorsque le réfrigérateur est mis en marche pour la première fois, l'ensemble du panneau d'affichage s'allume pendant 3 secondes. Le panneau d'affichage passe ensuite en mode d'affichage normal. Le voyant de la porte ouverte s'allume ; lorsque la porte se ferme, le voyant s'éteint. La première fois que vous utilisez le réfrigérateur, la température par défaut du compartiment réfrigérateur est de 5°C.
- En cas d'erreur, le panneau d'affichage indique le code d'erreur. Sinon, le panneau d'affichage indique la température réglée.

## Réglage de la température

- Appuyer sur le bouton d'augmentation de la température «  $\Delta$  » permet de régler la température, chaque clic sur le bouton d'augmentation de la température «  $\Delta$  » permet d'augmenter la température de 1°C ; Appuyer sur le bouton de diminution de la température «  $\nabla$  » permet de régler la température, chaque clic sur le bouton de diminution de la température «  $\nabla$  » permet de diminuer la température de 1°C ; La plage de réglage de la température du compartiment réfrigérateur est de 2-8°C. Lorsque la température est réglée sur la valeur limite, le réfrigérateur émet une alarme si le bouton d'augmentation de la température «  $\Delta$  » ou le bouton d'augmentation de la température «  $\nabla$  » n'a pas encore été enfoncé.

FR

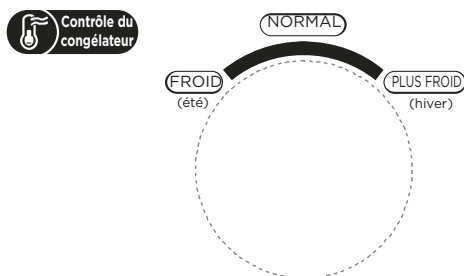
## Régler le mode

- Réglez le mode super réfrigération : après avoir réglé la température du compartiment réfrigérateur à 2°C, appuyez sur le bouton de réduction de la température «  $\nabla$  » pour passer en mode super réfrigération. En mode super réfrigération, la température du compartiment réfrigérateur est automatiquement réglée à 2°C.
- Sortie du mode de super réfrigération : appuyez sur le bouton d'augmentation de la température «  $\Delta$  » pour sortir du mode de super réfrigération ou sortir automatiquement du mode de super réfrigération après 6 heures. Après avoir quitté le mode de super réfrigération, la température du réfrigérateur revient automatiquement à la température réglée avant le mode de super réfrigération.

## Contrôle de l'alarme d'ouverture

- Si la porte n'est pas fermée dans les deux minutes, l'avertisseur sonore retentira jusqu'à ce que la porte soit fermée. Appuyez sur n'importe quel bouton pour arrêter l'alarme sonore.

## Le réglage de la température peut sortir du mode de réfrigération rapide



## Contrôle de la température du compartiment congélateur

- La température de congélation est relativement basse en position « COLDER », tandis que la température de congélation est relativement élevée en position « COLD », ainsi, la position « NORMAL » est généralement utilisée.
- Lorsque la température ambiante est élevée en été, la température doit être comprise entre « NORMAL » et « COLD ». Si la température ambiante est supérieure à 35°C, c'est la position « COLD » qui prévaut.
- Lorsque la température ambiante est basse en hiver, la température doit être comprise entre « NORMAL » et « COLDER ». Si la température ambiante est inférieure à 10°C, c'est la position « COLDER » qui prévaut.

## Avertissement d'ouverture et contrôle d'alarme

- Lorsque vous ouvrez les portes du réfrigérateur, la musique d'ouverture est diffusée. Si la porte n'est pas fermée dans les deux minutes, l'avertisseur sonore retentira jusqu'à ce que la porte soit fermée. Appuyez sur n'importe quel bouton pour arrêter l'alarme sonore.

## Indication de défaut

- Les avertissements suivants apparaissant sur l'écran indiquent les défauts correspondants du réfrigérateur.
- Bien que le réfrigérateur puisse encore avoir une fonction de stockage frigorifique avec les défauts suivants, l'utilisateur doit contacter un spécialiste de la maintenance pour l'entretien, afin d'assurer un fonctionnement optimal de l'appareil.

Code de défaut	Description de défaut
E1	Défaillance du capteur de température du compartiment réfrigérateur
E2	Défaillance du capteur de température du compartiment congélateur
E3	Défaillance du capteur de température du tiroir réfrigérant
E5	Erreur du circuit de détection du capteur de dégivrage
E6	Erreur de communication
E7	Erreur du capteur de température ambiante

## Compartiment réfrigérateur

- Le compartiment réfrigérateur est adapté au stockage d'une variété de fruits, de légumes, de boissons et d'autres aliments consommés à court terme, la durée de stockage suggérée est de 3 à 5 jours.
- Les aliments cuits ne doivent pas être mis dans le compartiment réfrigérateur avant d'avoir été refroidis à température ambiante.
- Il est recommandé de sceller les aliments avant de les mettre au réfrigérateur.
- Les étagères en verre peuvent être ajustées vers le haut ou vers le bas pour un espace de rangement raisonnable et une utilisation facile.

## Compartiment congélateur

- La basse température du compartiment congélateur peut maintenir les aliments frais pendant une longue période et il est principalement utilisé pour stocker les aliments congelés et fabriquer de la glace.
- Le compartiment congélateur est adapté au stockage de la viande, du poisson, des boulettes de riz et d'autres aliments qui ne doivent pas être consommés à court terme.
- Les morceaux de viande doivent de préférence être divisés en petits morceaux pour une congélation rapide et un accès facile. Veuillez noter que les aliments doivent être consommés dans le délai de conservation.

FR

## Tiroir réfrigérant

- Convient à la consommation à court terme (1-3 jours) de poisson frais, de viande fraîche, d'aliments frais, etc.
- Près de l'arrière et du fond du tiroir, les aliments peuvent être congelés, les aliments qui ne doivent pas être congelés ne peuvent pas être placés à l'intérieur.
- La classification des aliments et l'emballage de scellage sont suggérés.

### ATTENTION

Observation : Le stockage d'une trop grande quantité d'aliments pendant le fonctionnement après la première mise sous tension peut nuire à l'effet de congélation du réfrigérateur.

Ordre	TYPE de compartiments	Température de stockage cible [°C]	Aliment approprié
1	Réfrigérateur	+2 - +8	Les œufs, les aliments cuits, les aliments emballés, les fruits et légumes, les produits laitiers, les gâteaux, les boissons et autres aliments ne conviennent pas à la congélation.
2	(***)* -Congélateur	≤-18	Fruits de mer (poissons, crevettes, crustacés), produits aquatiques d'eau douce et produits carnés (durée recommandée de 3 mois, plus le temps de stockage est long, plus le goût et la nutrition sont mauvais), convient aux aliments frais congelés.
3	***-Congélateur	≤-18	Fruits de mer (poissons, crevettes, crustacés), produits aquatiques d'eau douce et produits carnés (durée recommandée de 3 mois, plus le temps de stockage est long, plus le goût et la nutrition sont mauvais), convient aux aliments frais congelés.
4	** -Congélateur	≤-12	Fruits de mer (poissons, crevettes, crustacés), produits aquatiques d'eau douce et produits carnés (durée recommandée de 3 mois, plus le temps de stockage est long, plus le goût et la nutrition sont mauvais), convient aux aliments frais congelés.
5	*-Congélateur	≤-6	Fruits de mer (poissons, crevettes, crustacés), produits aquatiques d'eau douce et produits carnés (durée recommandée de 3 mois, plus le temps de stockage est long, plus le goût et la nutrition sont mauvais), convient aux aliments frais congelés.
6	0-étoile	-6 - 0	Porc, bœuf, poisson, poulet frais, certains aliments transformés emballés, etc. (il est recommandé de les consommer le jour même, de préférence pas plus de 3 jours). Aliments transformés partiellement encapsulés (aliments non congelables).
7	Refroidissement	-2 - +3	Porc, bœuf, poulet, produits aquatiques d'eau douce, etc. frais/congelés (7 jours en dessous de 0°C et au-dessus de 0°C, il est recommandé de les consommer dans la journée, de préférence pas plus de 2 jours). Fruits de mer (moins de 0 pour 15 jours, il n'est pas recommandé de les conserver au-dessus de 0°C).
8	Aliments frais	0 - +4	Porc, bœuf, poisson, poulet, aliments cuits, etc. frais (il est recommandé de les consommer le jour même, de préférence pas plus de 3 jours).
9	Vin	+5 - +20	Vin rouge, vin blanc, vin mousseux, etc.

### ATTENTION

Veillez conserver les différents aliments en fonction des compartiments ou de la température de conservation cible de votre achat.

# NETTOYAGE ET ENTRETIEN

## Nettoyage général

- Les poussières derrière du réfrigérateur et au sol doivent être nettoyées en temps opportun pour améliorer l'effet de refroidissement et économiser l'énergie.
- Vérifiez régulièrement le joint de la porte pour s'assurer qu'il n'y a pas de débris. Nettoyez le joint de la porte avec un chiffon doux imbibé d'eau savonneuse ou de détergent dilué.
- L'intérieur du réfrigérateur doit être nettoyé régulièrement pour éviter les odeurs.
- Veuillez couper l'alimentation électrique avant de nettoyer l'intérieur, retirer tous les étagères et tiroirs pour les aliments, les boissons, etc.
- Nettoyez l'intérieur du réfrigérateur avec un chiffon doux ou une éponge, en ajoutant deux cuillères de bicarbonate de sodium et un litre d'eau tiède. Ensuite, rincez à l'eau et essuyez. Après le nettoyage, ouvrez la porte et laissez l'appareil sécher naturellement avant de mettre l'appareil sous tension.
- Pour les zones difficiles à nettoyer dans le réfrigérateur (telles que les sandwichs étroits, les fissures ou les coins), il est recommandé de les essuyer régulièrement avec un chiffon doux, une brosse douce, etc. et si nécessaire, à l'aide de certains outils auxiliaires (tels que des bâtons minces) pour éviter toute accumulation de contaminants ou de bactéries dans ces zones.
- N'utilisez pas de savon, de détergent, de poudre à récuser, de nettoyant en vaporisateur, etc., car ils peuvent produire des odeurs à l'intérieur du réfrigérateur ou des aliments contaminés.
- Nettoyez le cadre de bouteille, les étagères et les tiroirs avec un chiffon doux imbibé d'eau savonneuse ou de détergent dilué. Séchez avec un chiffon doux ou séchez naturellement.
- Essuyez la surface extérieure du réfrigérateur avec un chiffon doux humecté d'eau savonneuse, de détergent, etc.
- N'utilisez pas de brosses dures, de billes d'acier propres, de brosses métalliques, d'abrasifs (tels que des dentifrices), de solvants organiques (tels que de l'alcool, de l'acétone, de l'huile de banane, etc.), de l'eau bouillante, des éléments acides ou alcalins, qui pourraient endommager la surface et l'intérieur du réfrigérateur. L'eau bouillante et les solvants organiques tels que le benzène peuvent déformer ou endommager les pièces en plastique.
- Ne rincez pas directement avec de l'eau ou d'autres liquides pendant le nettoyage pour éviter les courts-circuits ou d'affecter l'isolement électrique après l'immersion.

### ATTENTION

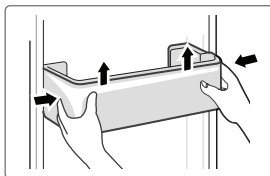
Veuillez débrancher le réfrigérateur pour le dégivrage et le nettoyage.

## Dégivrage

- Le réfrigérateur est fabriqué selon le principe du refroidissement par air et dispose donc d'une fonction de dégivrage automatique. Le givre formé en raison d'un changement de saison ou de température peut également être enlevé manuellement en débranchant l'appareil de l'alimentation électrique ou en l'essuyant avec une serviette sèche.

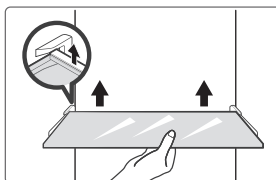
## Nettoyage du plateau de la porte

- Selon la flèche de direction de la figure ci-dessous, utilisez les deux mains pour presser le plateau, et poussez-le vers le haut, puis vous pouvez le retirer.
- Après avoir lavé le plateau qui a été retiré, vous pouvez ajuster sa hauteur d'installation en fonction de vos besoins.



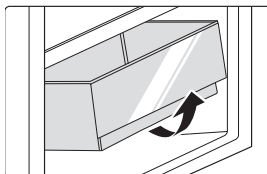
## Nettoyage de l'étagère en verre

- Comme la partie la plus intérieure du revêtement du réfrigérateur, où se trouve le contact avec les étagères, est dotée d'une butée, vous devez soulever les étagères vers le haut pour pouvoir en sortir.
- Ajustez ou nettoyez les étagères en fonction de vos besoins.



## Nettoyage du tiroir à légumes

1. Retirez le contenu du tiroir. Tenez la poignée du tiroir à légumes et tirez-le complètement jusqu'à ce qu'il s'arrête.
2. Soulevez le tiroir à légumes et retirez-le en le tirant vers l'extérieur.



## Hors service

### Coupeure d'électricité :

En cas de panne de courant, même si en été, les aliments à l'intérieur de l'appareil peuvent être conservés pendant plusieurs heures ; pendant la panne de courant, les temps d'ouverture de la porte sont réduits, et plus aucun aliment frais ne doit être mis dans l'appareil.

### Non utilisation pendant une longue durée :

L'appareil doit être débranché puis nettoyé ; les portes sont alors laissées ouvertes pour éviter les odeurs.

### Déplacement :

Avant de déplacer le réfrigérateur, retournez tous les objets, fixez les cloisons vitrées, le porte-légumes, les tiroirs du compartiment congélateur, etc. avec du ruban adhésif, et serrez les pieds de nivellement ; fermez les portes et fixez-les avec du ruban adhésif. Pendant le déplacement, l'appareil ne doit pas être placé à l'envers ou à l'horizontale, ni être soumis à des vibrations ; l'inclinaison pendant le déplacement ne doit pas dépasser 45°.

### ⚠ ATTENTION

L'appareil doit fonctionner en continu une fois démarré. En général, le fonctionnement de l'appareil ne doit pas être interrompu, faute de quoi sa durée de vie peut être réduite



# DÉPANNAGE

Les utilisateurs peuvent résoudre les problèmes simples suivants. Veuillez appeler le service après-vente si les problèmes ne sont pas résolus.

Problème	Raison possible
Échec de l'opération	• Vérifiez si l'appareil est branché à l'alimentation ou si la fiche est bien en contact
	• Vérifiez si la tension est trop basse
	• Vérifiez s'il y a une panne de courant ou si des circuits partiels se sont déclenchés
Odeur	• Les aliments odorants doivent être emballés hermétiquement
	• Vérifiez s'il y a des aliments pourris
	• Nettoyez l'intérieur du réfrigérateur
Fonctionnement à long terme du compresseur	• Le fonctionnement prolongé du réfrigérateur est normal en été lorsque la température ambiante est élevée.
	• Il est recommandé de ne pas mettre dans l'appareil trop de nourriture en même temps ;
	• Les aliments doivent être refroidis avant d'être mis dans l'appareil
	• Les portes sont ouvertes trop fréquemment
La lumière ne s'allume pas	• Vérifiez si le réfrigérateur est branché sur l'alimentation électrique et si la lampe d'éclairage est endommagée
	• Faites remplacer la lumière par un spécialiste
La porte ne peut pas être correctement fermée	• La porte du réfrigérateur est bloquée par des emballages alimentaires.
	• Le réfrigérateur est incliné.
Bruits forts	• Vérifiez si le sol est de niveau et si le réfrigérateur est placé de manière stable
	• Vérifiez si les accessoires sont placés aux bons endroits

FR

Problème	Raison possible
Le joint de porte n'est pas étanche	<ul style="list-style-type: none"> <li>• Enlevez les matières étrangères sur le joint de la porte</li> <li>• Chauffez le joint d'étanchéité de la porte, puis refroidissez-le pour le restaurer (ou soufflez-le avec un séchoir électrique ou utilisez une serviette chaude pour le chauffage)</li> </ul>
Débordement de l'eau dans le bac d'eau	<ul style="list-style-type: none"> <li>• Il y a trop de nourriture dans le compartiment ou la nourriture stockée contient trop d'eau, ce qui entraîne une décongélation importante</li> <li>• Les portes ne sont pas correctement fermées, ce qui entraîne un givrage dû à l'entrée d'air et une augmentation de l'eau due au dégivrage</li> </ul>
Boîtier chaud	<ul style="list-style-type: none"> <li>• La dissipation de la chaleur du condenseur intégré par le boîtier est normale. Lorsque le boîtier devient chaud en raison d'une température ambiante élevée, du stockage d'une trop grande quantité de nourriture ou de l'arrêt du compresseur, prévoir une bonne ventilation pour faciliter la dissipation de la chaleur</li> </ul>
Condensation de surface	<ul style="list-style-type: none"> <li>• La condensation sur la surface extérieure et les joints de porte du réfrigérateur est normale lorsque l'humidité ambiante est trop élevée. Il suffit d'essuyer le condensat avec une serviette propre.</li> </ul>
Bruit anormal	<ul style="list-style-type: none"> <li>• Bourdonnement : Le compresseur peut produire des bourdonnements pendant son fonctionnement, et ces bourdonnements sont particulièrement forts au démarrage ou à l'arrêt. C'est normal.</li> <li>• Grincement : Le réfrigérant qui circule à l'intérieur de l'appareil peut produire un grincement, ce qui est normal.</li> </ul>

# ANNEXE

## Spécial pour la nouvelle norme européenne

Les pièces commandées dans le tableau suivant peuvent être acquises auprès du prestataire de services.

Pièce commandée	Fourni par	Délai minimal requis pour la mise à disposition
Thermostats	Personnel de maintenance professionnel	Au moins 7 ans après le lancement du dernier modèle sur le marché
Capteurs de température	Personnel de maintenance professionnel	Au moins 7 ans après le lancement du dernier modèle sur le marché
Cartes de circuit imprimé	Personnel de maintenance professionnel	Au moins 7 ans après le lancement du dernier modèle sur le marché
Sources lumineuses	Personnel de maintenance professionnel	Au moins 7 ans après le lancement du dernier modèle sur le marché
Poignées de porte	Réparateurs professionnels et utilisateurs finaux	Au moins 7 ans après le lancement du dernier modèle sur le marché
Charnières de porte	Réparateurs professionnels et utilisateurs finaux	Au moins 7 ans après le lancement du dernier modèle sur le marché
Plateaux	Réparateurs professionnels et utilisateurs finaux	Au moins 7 ans après le lancement du dernier modèle sur le marché
Paniers	Réparateurs professionnels et utilisateurs finaux	Au moins 7 ans après le lancement du dernier modèle sur le marché
Joints d'étanchéité de porte	Réparateurs professionnels et utilisateurs finaux	Au moins 10 ans après le lancement du dernier modèle sur le marché

FR

### Cher client

1. Si vous souhaitez retourner ou remplacer le produit, veuillez contacter le magasin où vous achetez.

(N'oubliez pas d'apporter la facture d'achat)

2. Si votre produit tombe en panne et doit être réparé, veuillez contacter le fournisseur de services après-vente.

### 🔔 ATTENTION

Les informations sur le modèle dans la base de données des produits, ainsi que l'identifiant du modèle, peuvent être obtenues par un lien internet scanné par un code QR, le cas échéant, sur l'étiquette d'efficacité énergétique du produit.

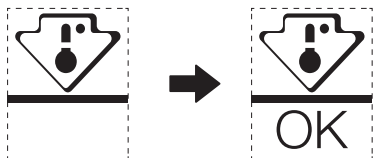
Pour plus d'informations sur l'efficacité énergétique de l'appareil, consultez le site <https://ec.europa.eu> et recherchez avec le nom du modèle.

Le nom du modèle se trouve sur l'étiquette signalétique de l'appareil.

## Zone la plus froide du réfrigérateur

### EN OPTION : Indicateur OK - température

- L'indicateur OK - température peut être utilisé pour déterminer les températures inférieures à +4°C. Réduisez progressivement la température si le signe n'indique pas « OK ».



FR

- Pour garantir la température dans cette zone, ne modifiez pas le positionnement de l'étagère. Pour les réfrigérateurs à air pulsé (équipés d'un ventilateur ou les modèles sans givre), le symbole de la zone la plus froide n'est pas représenté car la température intérieure est homogène.

### Réglage de l'indicateur de température

- Pour vous aider à bien régler votre réfrigérateur, celui-ci est équipé d'un indicateur de température qui surveille la température moyenne de la zone la plus froide.
- **AVERTISSEMENT** : Cet indicateur est destiné à fonctionner uniquement avec votre réfrigérateur, ne l'utilisez pas dans un autre réfrigérateur (en effet, la zone la plus froide n'est pas la même), ou pour toute autre utilisation.

### Vérification de la température de la zone la plus froide

- Grâce à l'indicateur de température, vous pouvez vérifier régulièrement que la température de la zone la plus froide est correcte. En effet, la température interne du réfrigérateur dépend de plusieurs facteurs tels que la température ambiante de la pièce, la quantité d'aliments stockés et la fréquence d'ouverture de la porte. Prenez ces facteurs en considération lors du réglage de l'appareil.
- Lorsque l'indicateur affiche « OK », cela signifie que votre thermostat est bien réglé et que la température interne est correcte.
- Si l'indicateur de température devient BLANC, cela signifie que la température est trop élevée ; dans ce cas, augmentez le réglage de la commande de température du réfrigérateur et attendez 12 heures avant de procéder à une nouvelle inspection visuelle de l'indicateur. Si des aliments frais ont été introduits ou que la porte est restée ouverte, il est possible que l'indicateur de température devienne BLANC après un certain temps.

## **CARTA DE AGRADECIMIENTO**

¡Gracias por elegir Midea! Antes de usar su nuevo producto de Midea, lea detenidamente este manual para asegurarse de que sabe cómo operar las características y funciones que le ofrece su nuevo electrodoméstico de manera segura.

# CONTENIDOS

<b>CARTA DE AGRADECIMIENTO</b> .....	01
<b>ESPECIFICACIONES</b> .....	02
<b>DESCRIPCIÓN DEL PRODUCTO</b> .....	03
<b>INSTALACIÓN DEL PRODUCTO</b> .....	04
<b>INSTRUCCIONES DE OPERACIÓN</b> .....	12
<b>LIMPIEZA Y MANTENIMIENTO</b> .....	17
<b>SOLUCIÓN DE PROBLEMAS</b> .....	19
<b>APÉNDICE</b> .....	21

**ES**

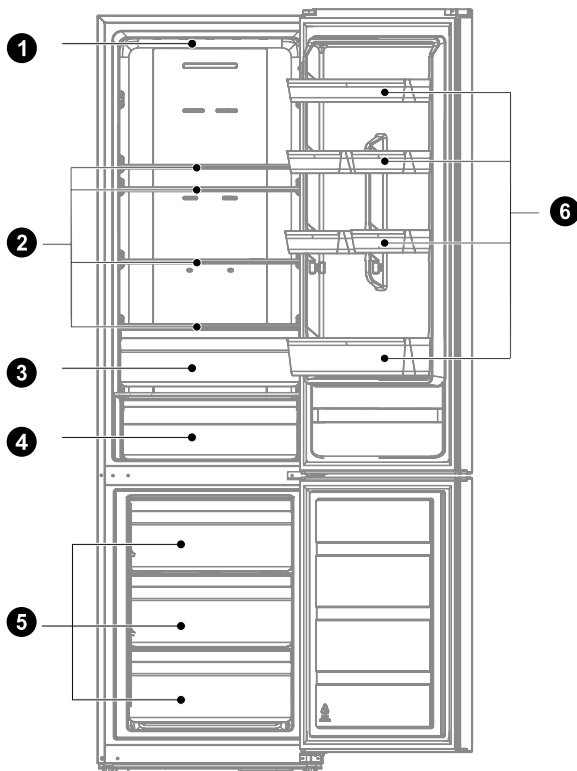
# ESPECIFICACIONES

<b>Modelo del producto</b>	<b>MDRB489FGE</b>
Volumen del Compartimiento de Almacenamiento de Alimentos Frescos	247 litros
Volumen de Almacenamiento de Alimentos Congelados	83 litros
Tipo de Descongelación	Autodescongelación
Tiempo de Subida de Temperatura	8 h
Capacidad de Congelación	4 kg/24h
Tensión nominal/Frecuencia	220-240V-/50Hz
Corriente Nominal	0,7 A
Dimensión general (Al x An x Pr)	2010x595x635 mm

ES

# DESCRIPCIÓN DEL PRODUCTO

## Nombres de los componentes



- |                              |                      |
|------------------------------|----------------------|
| 1 Iluminación LED            | 4 Cajón refrigerador |
| 2 Estante                    | 5 Cajón              |
| 3 Cajón de frutas y verduras | 6 Bandeja de puerta  |

### ● ATENCIÓN

La figura anterior es solo para referencia. La configuración real dependerá del producto físico o la declaración del distribuidor.

ES

# INSTALACIÓN DEL PRODUCTO

## Instrucciones de instalación

### Para aparatos de refrigeración con clase climática

- Dependiendo de la clase climática, este aparato de refrigeración está diseñado para usarse en los rangos de temperatura ambiente que se especifican en la siguiente tabla.
- La clase climática se encuentra en la placa de características. Es posible que el producto no funcione correctamente a temperaturas fuera del rango especificado.
- Puede encontrar la clase climática en la etiqueta del producto.

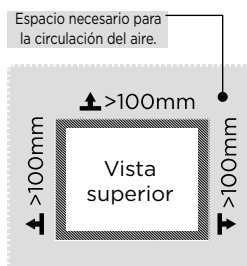
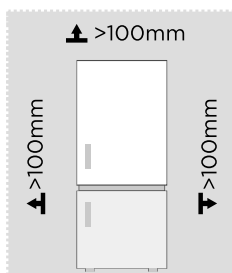
### Rango de temperatura efectivo

- El producto está diseñado para funcionar con normalidad en el rango de temperatura especificado por su clasificación de clase.

Clase	Símbolo	Rango de temperatura ambiente °C	
		IEC 62552 (ISO 15502)	ISO 8561
Templado extendido	SN	+ 10 a + 32	+ 10 a + 32
Templado	N	+ 16 a + 32	+ 16 a + 32
Subtropical	ST	+ 18 a + 38	+ 16 a + 38
Tropical	T	+ 18 a + 43	+ 16 a + 43

### Dimensiones y limpieza

- Una distancia demasiado pequeña de los elementos adyacentes puede provocar la degradación de la capacidad de congelación y un aumento de los costos de electricidad. Deje más de 100 mm de espacio libre desde cada pared adyacente al instalar el aparato.

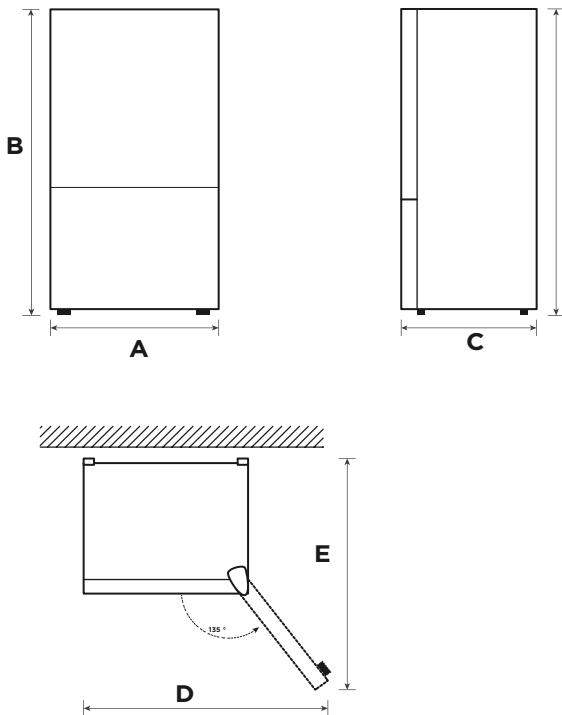


### ● ATENCIÓN

La figura anterior es solo para referencia. La configuración real dependerá del producto físico o la declaración del distribuidor.



Diagrama de requisitos de espacio (cuando la puerta está abierta y cuando la puerta está cerrada)



ES

Ancho	Altura General	Profundidad	Ancho con puertas abiertas de 135°	Profundidad con puertas abiertas de 135°
A	B	C	D	E
595	2010	635	1016	1186

Nota: Todas las dimensiones en mm

## Cambio de puerta derecha-izquierda (opcional)

Puede resultarle más conveniente invertir la posición de la puerta según la ubicación donde planea usar su refrigerador.

### PRECAUCIÓN

PRECAUCIÓN: Recomendamos que alguien lo ayude durante el proceso de inversión de la puerta para evitar lesiones a usted o a su propiedad.

Preparación para invertir la posición de la puerta

Usted necesitará: Un destornillador estándar, un destornillador Phillips y la llave Allen incluida.

- Asegúrese de que su refrigerador esté desenchufado y vacío.
- Tenga a alguien libre para ayudarlo durante el proceso.
- Conserve todas las piezas que retire para reutilizarlas más tarde.

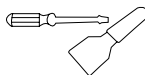
### Herramientas necesarias para cambiar la puerta:



Destornillador de cruz



Tomacorriente y trinquete de 5/16"



Espátula y destornillador de hoja delgada



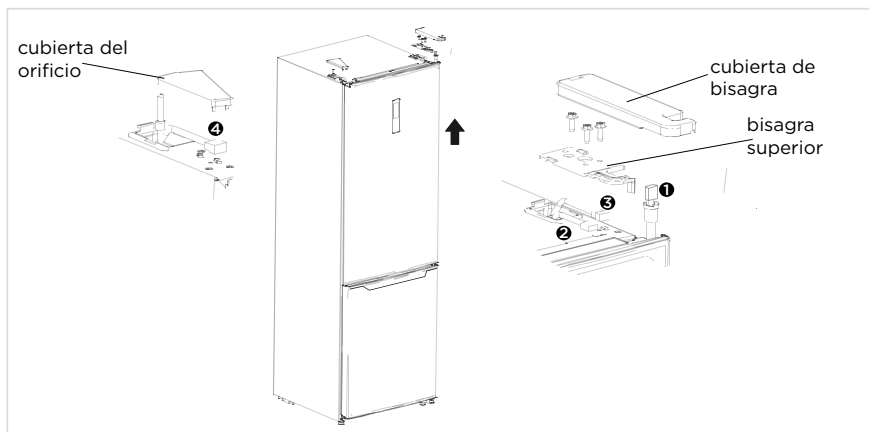
Cinta adhesiva

### Piezas a utilizar para la puerta reversa

SN	Nombre	Número	Notas
1	Manguito del eje	1	Preinstalado en el refrigerador y a ser utilizado cuando cambie la puerta
2	Tornillo de la bisagra superior	1	
3	Tapón derecho	1	Preinstalado en el refrigerador, retirado cuando la puerta se invierte, y guardado para uso futuro
4	Conjunto de cubierta de la bisagra	1	
5	Interruptor de pilar	1	Preinstalado en el refrigerador y a ser utilizado cuando cambie la puerta
6	Cubierta de la bisagra derecha	1	Preinstalada en el refrigerador, retirada cuando la puerta se invierte, y mantenida para uso futuro
7	Bisagra superior derecha	1	
8	Pie ajustable	1	Preinstalado en el refrigerador y a ser utilizado cuando cambie la puerta
9	Paquete de accesorios	3	Bisagra superior izquierda/Cubierta de la bisagra superior izquierda/Tapón izquierdo
10	Conjunto de bisagra inferior	1	
11	Tornillo de la bisagra inferior	2	Preinstalado sobre el refrigerador y a ser utilizado cuando cambie la puerta
12	Placa de cubierta extrema	1	
13	Cubierta de orificio	1	

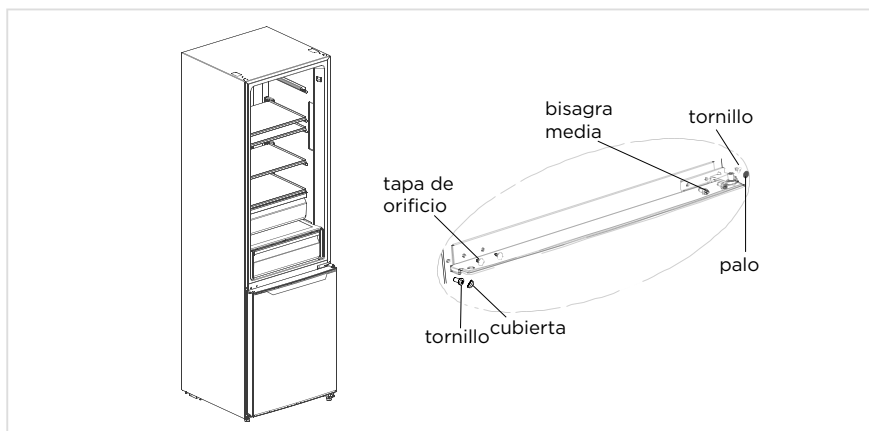
## Paso:

1. Apague el aparato antes de realizar esta operación. Retire todos los alimentos de los estantes de la puerta. Fije la puerta con cintas.
2. Desmonte la cubierta de la bisagra, los tornillos y la bisagra superior, y retire la cubierta del orificio del otro lado. Desenchufe el conector de cableado del lado derecho de la parte superior del refrigerador (1, 3 conector de cableado).

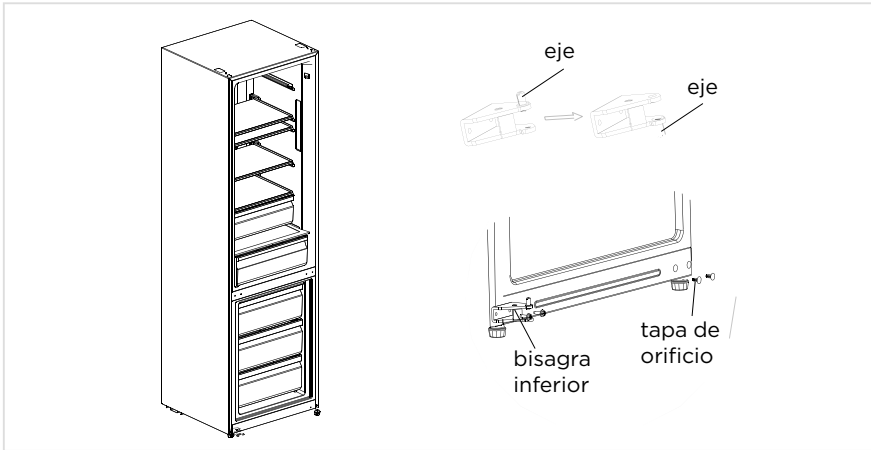


ES

3. Quite la puerta de la cámara de refrigeración así como los tornillos de la cubierta, la pegatina y la bisagra central, la tapa del orificio.

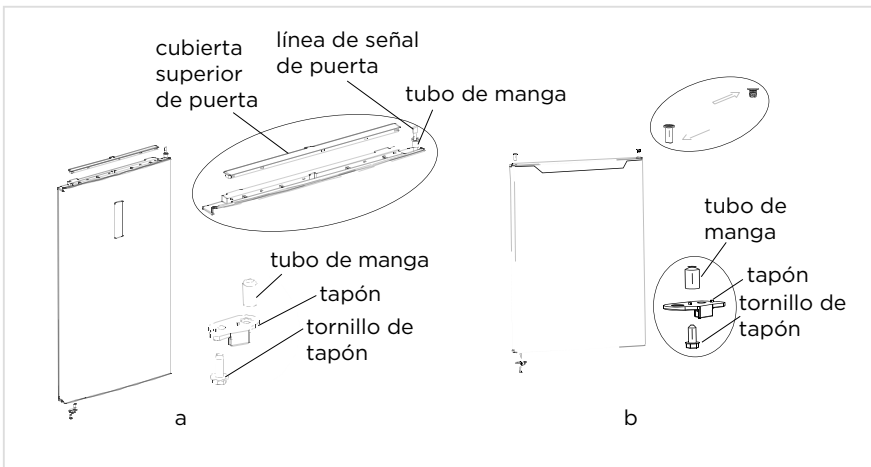


4. Quite la puerta de la cámara de congelación, desmonte la bisagra inferior, las tapas de orificios. Instale el eje de la bisagra inferior en el otro lado e instale la bisagra inferior en el otro lado de la viga inferior.

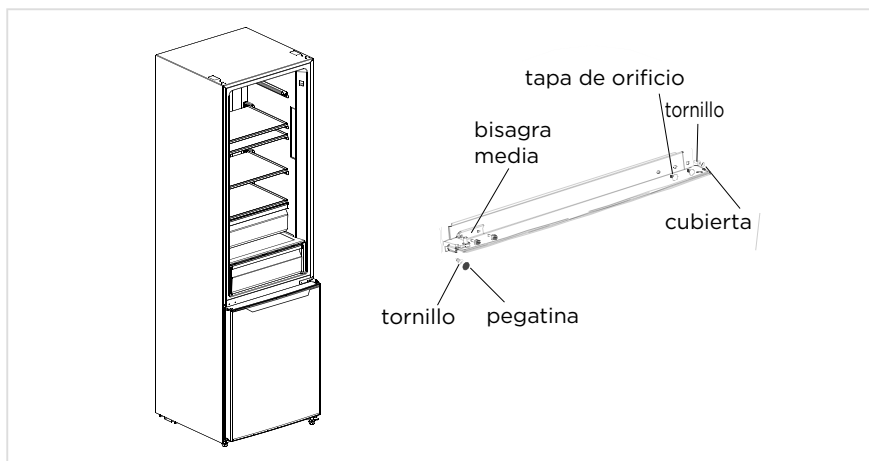


ES

5. a) Retire la cubierta superior de la puerta de la cámara de refrigeración, instale el manguito de la bisagra superior, la línea de señal de la puerta al otro lado e instale la cubierta superior de la puerta. Desmonte el tapón y el tubo del manguito de la parte inferior derecha de la puerta de la cámara de congelación, saque otro tapón de repuesto (para puerta reversible), y monte el tubo del manguito y el tapón de repuesto en la parte inferior izquierda de la puerta atornillando el manguito de la bisagra superior, la línea de señal de la puerta al otro lado e instale la cubierta superior de la puerta.
- b) Desmonte el tapón y el tubo del manguito de la parte inferior derecha de la puerta de la cámara de congelación, saque otro tapón de repuesto (para puerta reversible), y monte el tubo del manguito y el tapón de repuesto en la parte inferior izquierda de la puerta mediante un tornillo. Retire el tubo de manga y las tapas de los orificios en la puerta de la cámara de congelación y móntelos en el otro lado.

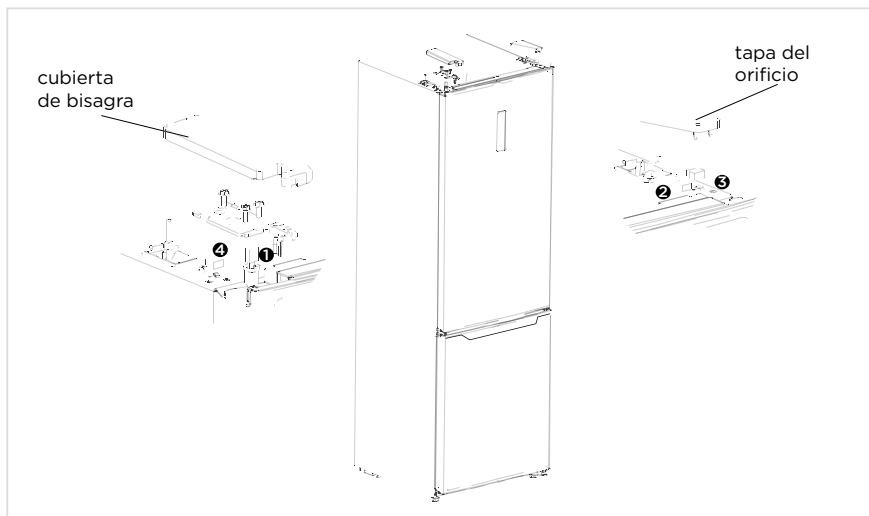


6. Coloque la puerta de congelación en la bisagra inferior, instale la bisagra central, las tapas de los orificios, la cubierta de los tornillos y el adhesivo.



ES

7. Saque la bisagra superior izquierda y la cubierta de la bisagra superior izquierda del paquete de accesorios. Coloque la puerta de refrigeración en la bisagra central, instale la bisagra superior. Conecte el terminal de línea de señal 4 con el terminal de línea de señal 1, conecte el terminal de línea de señal 2 con el terminal de línea de señal 3; instale la cubierta de la bisagra superior y la cubierta del orificio.



### ● ATENCIÓN

La figura anterior es solo para referencia. La configuración real dependerá del producto físico o la declaración del distribuidor.

## Colocación

- Antes de usar, retire todos los materiales de embalaje, incluidos los cojines del fondo, almohadillas de espuma y cintas en el refrigerador; rasgue la película protectora en las puertas y el cuerpo del refrigerador.
- Mantenga alejado del calor y evite la luz solar directa. No coloque el congelador en lugares húmedos o acuosos para evitar la oxidación o la reducción del efecto aislante.
- No rocíe ni lave el refrigerador; no lo coloque en lugares húmedos fáciles de salpicar con agua, con el fin de no afectar las propiedades de aislamiento eléctrico del refrigerador.
- El refrigerador se coloca en un lugar interior bien ventilado; el suelo debe ser plano y resistente (gire hacia la izquierda o hacia la derecha para ajustar la rueda hasta que se nivele si es inestable).

ES



## Patas niveladoras

Para evitar vibraciones, la unidad debe estar nivelada.

Si es necesario, ajuste los tornillos de nivelación para compensar el suelo irregular.

La parte delantera debe estar un poco más alta que la parte trasera para facilitar el cierre de la puerta.

Los tornillos de nivelación se pueden girar fácilmente inclinando ligeramente el gabinete.

Gire los tornillos de nivelación en el sentido contrario a las agujas del reloj  para elevar la unidad y en el sentido de las agujas del reloj  para bajarla.

## Mover el aparato

1. Retire todos los alimentos del interior del aparato.
2. Extraiga el enchufe de alimentación, insértelo y fíjelo en el gancho del enchufe de alimentación en la parte trasera o en la parte superior del aparato.
3. Pegue piezas como los estantes y la manija de la puerta para evitar que se caigan mientras mueve el aparato.
4. Mueva el aparato con más de dos personas con cuidado. Cuando transporte el aparato a largas distancias, manténgalo en posición vertical.
5. Después de instalar el aparato, conecte el enchufe de alimentación a una toma de corriente para encender el aparato.

### ATENCIÓN

Precauciones antes de operación:

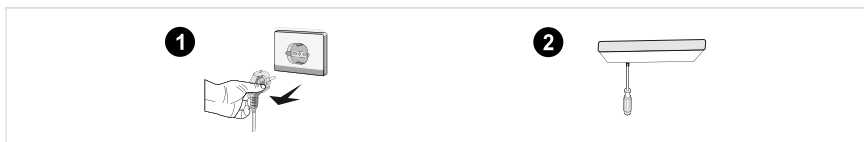
Antes de realizar cambios, el refrigerador debe desconectarse de la corriente. Deben tomarse precauciones para evitar cualquier daño personal.

## Cambio de luz

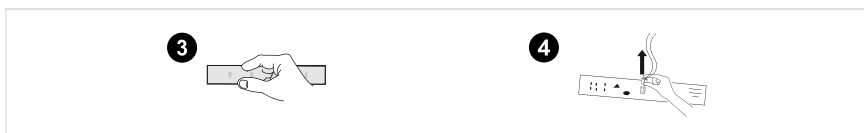
- Cualquier reemplazo o mantenimiento de las lámparas LED está destinado a ser realizado por el fabricante, su agente de servicio o persona calificada similar. Este producto contiene una fuente de luz de clase de eficiencia energética <F>.

### Paso

1. Saque el enchufe antes de quitarlo.
2. Retire la pantalla de la lámpara con un destornillador.



3. Quite el panel de la lámpara.
4. Retire el terminal de conexión.



ES

## Conectando el aparato

Antes del encendido inicial, mantenga el refrigerador quieto durante media hora antes de conectarlo a la fuente de alimentación.

### ● ATENCIÓN

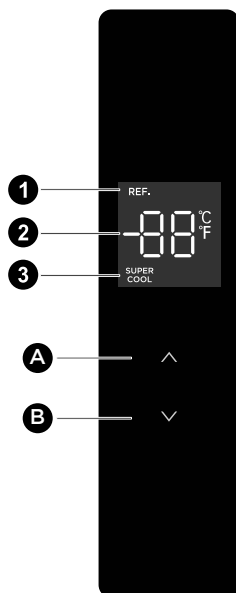
Antes de meter alimentos frescos o congelados en el refrigerador, el último debe haber funcionado durante 2-3 horas, o durante más de 4 horas en verano cuando la temperatura ambiente es alta.

## Consejos para ahorrar energía

- El aparato debe ubicarse en el área más fresca de la habitación, lejos de aparatos que produzcan calor o conductos de calefacción, y fuera de la luz solar directa.
- Deje que los alimentos calientes se enfríen a temperatura ambiente antes de colocarlos en el aparato. La sobrecarga del aparato obliga al compresor a funcionar por más tiempo. Los alimentos que se congelan muy lentamente pueden perder calidad o podrirse.
- Asegúrese de envolver los alimentos adecuadamente y seque los recipientes antes de colocarlos en el aparato. Esto reduce la acumulación de escarcha dentro del aparato.
- El compartimiento de almacenamiento del aparato no debe estar forrado con papel de aluminio, papel encerado o toallas de papel. Los revestimientos interfieren con la circulación de aire frío, lo que hace que el aparato sea menos eficiente.
- Organice y etiquete los alimentos para reducir las aberturas de las puertas y las búsquedas prolongadas. Retire tantos objetos como sea necesario a la vez y cierre la puerta lo antes posible.

# INSTRUCCIONES DE OPERACIÓN

## Panel de control



ES

### ⚠ ATENCIÓN

La figura anterior es solo para referencia. La configuración real dependerá del producto físico o la declaración del distribuidor.

### Botón de configuración

**A** Botón para aumentar la temperatura

**B** Botón para disminuir la temperatura

### Pantalla de visualización

**1** Icono de refrigeración

**2** Icono de visualización de temperatura

**3** Icono de súper congelación



## Pantalla

- Cuando encienda el refrigerador por primera vez, todo el panel de visualización brillará durante 3 segundos. Entonces el panel de visualización entra en la visualización normal. Cuando la puerta se abre, la luz de la pantalla se enciende. Cuando la puerta se cierra, la luz de pantalla se apaga. La primera vez que se utiliza el refrigerador, la temperatura predeterminada de la cámara de refrigeración es de 5°C.
- Cuando se produce el error, el panel de visualización muestra el código de error. De lo contrario, el panel de visualización muestra la temperatura programada.

## Configuración de temperatura

- Pulse el botón de subida de temperatura "▲" para ajustar la temperatura, cada vez que pulse el botón de subida de temperatura "▲", la temperatura ajustada aumentará 1°C; pulse el botón de bajada de temperatura "▼" para ajustar la temperatura, cada vez que pulse el botón de bajada de temperatura "▼", la temperatura ajustada disminuirá 1°C; el intervalo de ajuste de temperatura de la cámara de refrigeración es de 2-8°C. Cuando la temperatura se ajusta al valor límite, el refrigerador emitirá una alarma si aún se ha pulsado el botón de subida de temperatura "▲" o el botón de subida de temperatura "▼".

ES

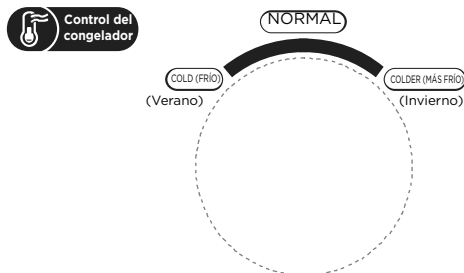
## Configurar el modo

- Configurar el modo de Súper refrigeración: después de ajustar la temperatura del compartimiento de refrigeración a 2°C, pulse el botón de bajada de temperatura "▼" para entrar en el modo de Súper refrigeración. En el modo de Súper refrigeración, la temperatura del compartimiento de refrigeración se ajusta automáticamente a 2°C.
- Salir del modo de Súper refrigeración: pulse el botón de subida de temperatura "▲" para salir del modo de Súper refrigeración o salga automáticamente del modo de Súper refrigeración después de 6h. Después de salir del modo de Súper refrigeración, la temperatura del refrigerador volverá automáticamente a la temperatura establecida antes usar el modo de Súper refrigeración.

## Control de alarma de apertura

- Si la puerta no se cierra en dos minutos, sonará el zumbador hasta que se cierre la puerta. Presione cualquier botón para detener la alarma del zumbador.

## El ajuste de temperatura puede salir del modo refrigeración rápida.



## Control de temperatura de la cámara de congelación

- La temperatura de congelación es relativamente baja en la posición “COLDER (MÁS FRÍO)”, mientras que la temperatura de congelación es relativamente alta en la posición “COLD (FRÍO)”, en general, se usa la posición “NORMAL”.
- Cuando la temperatura ambiente es alta en verano, la temperatura debe cambiar del rango de “NORMAL” a “COLD (FRÍO)”. Si la temperatura ambiente es superior a 35°C, prevalecerá la posición “COLD (FRÍO)”.
- Cuando la temperatura ambiente es baja en invierno, la temperatura debe cambiar del rango de “NORMAL” a “COLDER (MÁS FRÍO)”. Si la temperatura ambiente es inferior a 10°C, prevalecerá la posición “COLDER (MÁS FRÍO)”.

## Advertencia de apertura y control de alarma

- Cuando abra la puerta del refrigerador, se reproducirá la música de puerta abierta. Si la puerta no se cierra en dos minutos, el zumbador seguirá sonando hasta que se cierre la puerta. Presione cualquier botón para detener la alarma del zumbador.

ES

## Indicación de fallo

- Las siguientes advertencias que aparecen en la pantalla indican fallas correspondientes del refrigerador.
- Aunque el refrigerador aún cuenta con la función de almacenamiento en frío con los siguientes fallos, el usuario debe contactar a un especialista de mantenimiento para su mantenimiento, a fin de garantizar una operación optimizada del aparato.

Código de fallo	Descripción de fallo
E1	Fallo del sensor de temperatura de la cámara de refrigeración
E2	Fallo del sensor de temperatura de la cámara de congelación
E3	Fallo del sensor de temperatura del cajón refrigerador
E5	Error de circuito de detección del sensor de descongelamiento de congelación
E6	Error de comunicación
E7	Error del sensor de temperatura ambiente

## Cámara de refrigeración

- La cámara de refrigeración es adecuada para almacenar una variedad de frutas, verduras, bebidas y otros alimentos que se consumen a corto plazo, tiempo de almacenamiento sugerido de 3 a 5 días.
- Los alimentos para cocinar no deben colocarse en la cámara de refrigeración hasta que se enfríen a temperatura ambiente.
- Se recomienda sellar los alimentos antes de ponerlos en el refrigerador.
- Los estantes de vidrio se pueden ajustar hacia arriba o hacia abajo para una cantidad razonable de espacio de almacenamiento y fácil uso.

## Cámara de congelación

- La cámara de congelación a baja temperatura puede mantener los alimentos frescos durante mucho tiempo y se utiliza principalmente para almacenar alimentos congelados y hacer hielo.
- La cámara de congelación es adecuada para el almacenamiento de carne, pescado, bolas de arroz y otros alimentos que no se consuman a corto plazo.
- Los trozos de carne se deben dividir preferiblemente en trozos pequeños para congelarlos rápidamente y facilitar el acceso. Tenga en cuenta que los alimentos se consumirán dentro del tiempo de almacenamiento.

## Cajón refrigerador

- Adecuada a corto plazo (1-3 días) para almacenar pescado, carne, alimentos frescos, etc.
- Cerca de la parte posterior e inferior del cajón, los alimentos pueden congelarse, los alimentos que no deben congelarse no pueden colocarse.
- Se sugiere la clasificación de alimentos y el sellado de paquete.

### ATENCIÓN

Nota: El efecto de congelación del refrigerador se verá afectado negativamente por el exceso de almacenamiento de alimentos durante el funcionamiento después de la conexión inicial a la fuente de alimentación.

Orden	TIPO de compartimiento	Temperatura objetivo de almacenamiento [°C]	Alimentos adecuados
1	Refrigerador	+2 - +8	Los huevos, los alimentos cocidos, los alimentos envasados, las frutas y verduras, los productos lácteos, los pasteles, las bebidas y otros alimentos no son aptos para la congelación.
2	(***)*-Congelador	≤-18	Mariscos (pescado, camarones, crustáceos), productos acuáticos de agua dulce y productos cárnicos (recomendado para 3 meses, cuanto más tiempo de almacenamiento, peor sabor y nutrición), apto para alimentos frescos congelados.
3	***-Congelador	≤-18	Mariscos (pescado, camarones, crustáceos), productos acuáticos de agua dulce y productos cárnicos (recomendado para 3 meses, cuanto más tiempo de almacenamiento, peor sabor y nutrición), apto para alimentos frescos congelados.
4	**-Congelador	≤-12	Mariscos (pescado, camarones, crustáceos), productos acuáticos de agua dulce y productos cárnicos (recomendado para 3 meses, cuanto más tiempo de almacenamiento, peor sabor y nutrición), apto para alimentos frescos congelados.
5	*-Congelador	≤-6	Mariscos (pescado, camarones, crustáceos), productos acuáticos de agua dulce y productos cárnicos (recomendado para 3 meses, cuanto más tiempo de almacenamiento, peor sabor y nutrición), apto para alimentos frescos congelados.
6	0-estrella	-6 - 0	Carne fresca de cerdo, res, pescado, pollo, algunos alimentos procesados envasados, etc. (Recomendado comer dentro del mismo día, preferiblemente no más de 3 días). Alimentos procesados parcialmente encapsulados (alimentos no congelables).
7	Refrigeración	-2 - +3	Carne de cerdo, res, pollo, productos acuáticos de agua dulce, etc. frescos/congelados (se recomiendan 7 días por debajo de 0°C y por encima de 0°C para consumir dentro de ese día, preferiblemente no más de 2 días). Mariscos (menos de 0 por 15 días, no se recomienda almacenar por encima de 0°C).
8	Alimentos frescos	0 - +4	Carne fresca de cerdo, res, pescado, pollo, alimentos cocidos, etc. (Recomendado comer dentro del mismo día, preferiblemente no más de 3 días).
9	Vino	+5 -+20	Vino tinto, vino blanco, vino espumoso, etc.

### ATENCIÓN

almacene diferentes alimentos según los compartimentos o la temperatura de almacenamiento objetivo de su compra

# LIMPIEZA Y MANTENIMIENTO

## Limpieza general

- Los polvos detrás del refrigerador y en el suelo deben limpiarse a tiempo para mejorar el efecto de refrigeración y el ahorro de energía.
- Revise la junta de puerta regularmente para asegurarse de que no haya residuos. Limpie la junta de puerta con un paño suave humedecido con agua jabonosa o detergente diluido.
- El interior del refrigerador debe limpiarse regularmente para evitar el olor.
- Apague la fuente de alimentación, retire todos los alimentos, bebidas, estantes, cajones, etc. antes de limpiar el interior.
- Use un paño suave o una esponja para limpiar el interior del refrigerador, con dos cucharadas de bicarbonato de sodio y un litro de agua tibia. Luego enjuague con agua y limpie. Después de la limpieza, abra la puerta y deje que se seque naturalmente antes de encender la fuente de alimentación.
- Para áreas que son difíciles de limpiar en el refrigerador (como espacios estrechos, huecos o esquinas), se recomienda limpiarlas regularmente con un trapo suave, un cepillo suave, etc. y, cuando sea necesario, utilice con algunas herramientas auxiliares (como palos delgados) para garantizar que no se acumulen contaminantes ni bacterias en dichas áreas.
- No use jabón, detergente, detergente en polvo, limpiador en aerosol, etc., ya que pueden causar olores en el interior del refrigerador o alimentos contaminados.
- Limpie el marco de la botella, los estantes y los cajones con un paño suave humedecido con agua jabonosa o detergente diluido. Séquelo con un paño suave o de forma natural.
- Limpie la superficie exterior del refrigerador con un paño suave humedecido con agua jabonosa, detergente, etc., y luego la seque.
- No use cepillos duros, bolas de acero de limpieza, cepillos de alambre, abrasivos (como pastas dentales), solventes orgánicos (como alcohol, acetona, aceite de plátano, etc.), agua hirviendo, elementos ácidos o alcalinos, que pueden dañar la superficie e interior del refrigerador. El agua hirviendo y los disolventes orgánicos como el benceno pueden deformar o dañar las piezas de plástico.
- No enjuague directamente con agua u otros líquidos durante la limpieza para evitar cortocircuitos o afectar el aislamiento eléctrico después de la inmersión.

### ATENCIÓN

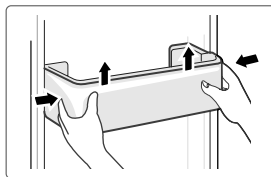
Desenchufe el refrigerador para descongelar y limpiar.

## Descongelación

- El refrigerador está hecho según el principio de refrigeración por aire y, por lo tanto, tiene una función de descongelación automática. Las escarchas formadas debido al cambio de estación o temperatura también se pueden eliminar manualmente desconectando el aparato de la fuente de alimentación o limpiándolo con una toalla seca.

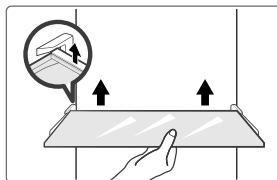
## Limpeza de la bandeja de la puerta

- De acuerdo con la flecha de dirección de la siguiente figura, utilice ambas manos para presionar la bandeja y empújela hacia arriba para retirarla.
- Después de haber lavado la bandeja, puede ajustar la altura de instalación de acuerdo con sus necesidades.



## Limpeza de la bandeja de la puerta

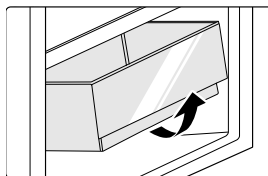
- Dado que la parte más interna del revestimiento del refrigerador donde los estantes entran en contacto, tiene un tope, deberá levantar los estantes hacia arriba y luego podrá sacarlo.
- Ajuste o limpie los estantes según sus necesidades.



ES

## Limpeza del cajón de verduras

1. Retire el contenido del cajón. Sostenga el asa del cajón de verduras y tire de él completamente hasta que se detenga.
2. Levante el cajón de verduras y retírelo tirando de él.



## Fuera de operación

### Fallo de fuente de alimentación:

En caso de fallo de la fuente de alimentación, incluso en verano, los alimentos dentro del aparato se pueden guardar durante varias horas; durante el corte de alimentación, se reducirán los tiempos de apertura de la puerta y no se colocarán más alimentos frescos en el mismo.

### Sin usar por largo tiempo:

El aparato debe desenchufarse y luego limpiarse; entonces las puertas se dejan abiertas para evitar el olor.

### Movimiento:

Antes de mover el refrigerador, retire todos los objetos interiores, fije las particiones de vidrio, el porta-verduras, los cajones de la cámara de congelación, etc. con cinta adhesiva, y apriete las patas de nivelación; cierre las puertas y fijelas con cinta adhesiva. Durante el movimiento, el aparato no debe colocarse boca abajo u horizontalmente, ni vibrarse; la inclinación durante el movimiento no será superior a 45°.

### ⚠ ATENCIÓN

El aparato debe funcionar continuamente una vez encendido. En general, la operación del aparato no debe interrumpirse; de lo contrario, la vida útil se verá afectada.

# SOLUCIÓN DE PROBLEMAS

El usuario puede solucionar los siguientes problemas sencillos. Llame al departamento de servicio post-venta si los problemas no se resuelven.

Problema	Causa posible
Operación fallida	<ul style="list-style-type: none"><li>• Compruebe si el aparato está conectado a la fuente de alimentación o si el enchufe está en contacto correcto</li></ul>
	<ul style="list-style-type: none"><li>• Compruebe si el voltaje es demasiado bajo</li></ul>
	<ul style="list-style-type: none"><li>• Compruebe si hay fallo en la fuente de alimentación o si se han disparado los circuitos parciales</li></ul>
Olor	<ul style="list-style-type: none"><li>• Los alimentos con olor deben estar bien envueltos</li></ul>
	<ul style="list-style-type: none"><li>• Compruebe si hay alimentos podridos</li></ul>
	<ul style="list-style-type: none"><li>• Limpie el interior del refrigerador</li></ul>
Funcionamiento prolongado del compresor	<ul style="list-style-type: none"><li>• El funcionamiento prolongado del refrigerador es normal en verano cuando la temperatura ambiente es alta</li></ul>
	<ul style="list-style-type: none"><li>• No es recomendable tener demasiados alimentos en el aparato al mismo tiempo</li></ul>
	<ul style="list-style-type: none"><li>• Los alimentos debe refrigerarse antes de colocarlos en el aparato</li></ul>
	<ul style="list-style-type: none"><li>• Las puertas se abren con demasiada frecuencia</li></ul>
La luz no se enciende	<ul style="list-style-type: none"><li>• Compruebe si el refrigerador está conectado a la fuente de alimentación y si la luz de iluminación está dañada</li></ul>
	<ul style="list-style-type: none"><li>• Reemplace la luz por un especialista</li></ul>
La puerta no se puede cerrar correctamente	<ul style="list-style-type: none"><li>• La puerta está atascada por los paquetes de alimentos</li></ul>
	<ul style="list-style-type: none"><li>• El refrigerador está inclinado</li></ul>
Ruidos fuertes	<ul style="list-style-type: none"><li>• Compruebe si el piso está nivelado y si el refrigerador está colocado de manera estable</li></ul>
	<ul style="list-style-type: none"><li>• Compruebe si los accesorios están colocados en ubicaciones adecuadas.</li></ul>

ES

Problema	Causa posible
Se pierde la eficiencia de sellado de la puerta.	<ul style="list-style-type: none"> <li>• Elimine materias extrañas en el sello de la puerta</li> <li>• Caliente el sello de la puerta y luego enfríe para restaurarlo (o sople con un secador eléctrico o use una toalla caliente para calentar)</li> </ul>
La bandeja de agua se desborda	<ul style="list-style-type: none"> <li>• Hay demasiado alimento en la cámara o el alimento almacenado contiene demasiada agua, lo que resulta en descongelación intensa</li> <li>• Las puertas no están cerradas correctamente, lo que provoca la formación de escarcha debido a la entrada de aire y el aumento de agua debido a la descongelación</li> </ul>
Carcasa caliente	<ul style="list-style-type: none"> <li>• Disipación de calor del condensador incorporado a través de la carcasa, la cual es normal cuando la carcasa se calienta debido a la temperatura ambiente alta, el almacenamiento de demasiados alimentos o el apagado del compresor, proporcione ventilación sólida para facilitar la disipación de calor</li> </ul>
Condensación superficial	<ul style="list-style-type: none"> <li>• La condensación en la superficie exterior y los sellos de las puertas del refrigerador es normal cuando la humedad ambiental es demasiado alta. Simplemente limpie el condensado con una toalla limpia.</li> </ul>
Ruido anormal	<ul style="list-style-type: none"> <li>• Zumbido: El compresor puede producir zumbidos durante la operación, y los zumbidos son fuertes, especialmente al arrancar o parar. Esto es normal.</li> <li>• Crujido: El refrigerante que fluye dentro del aparato puede producir un crujido que es normal.</li> </ul>

ES



# APÉNDICE

## Específico para la norma nueva de Europa

Las piezas solicitadas en la siguiente tabla se pueden adquirir del canal del proveedor de servicios

Pieza pedida	Suministrada por	Tiempo mínimo requerido para el suministro
Termostatos	Personal de mantenimiento profesional	Al menos 7 años después de que el último modelo esté lanzado en el mercado
Sensores de temperatura	Personal de mantenimiento profesional	Al menos 7 años después de que el último modelo esté lanzado en el mercado
Placas de circuito impreso	Personal de mantenimiento profesional	Al menos 7 años después de que el último modelo esté lanzado en el mercado
Fuentes de luz	Personal de mantenimiento profesional	Al menos 7 años después de que el último modelo esté lanzado en el mercado
Manijas de puerta	Reparadores profesionales y usuarios finales	Al menos 7 años después de que el último modelo esté lanzado en el mercado
Bisagras de puerta	Reparadores profesionales y usuarios finales	Al menos 7 años después de que el último modelo esté lanzado en el mercado
Bandejas	Reparadores profesionales y usuarios finales	Al menos 7 años después de que el último modelo esté lanzado en el mercado
Cestas	Reparadores profesionales y usuarios finales	Al menos 7 años después de que el último modelo esté lanzado en el mercado
Juntas de puerta	Reparadores profesionales y usuarios finales	Al menos 10 años después de que el último modelo esté lanzado en el mercado

ES

## Estimado cliente

1. Si desea devolver o reemplazar el producto, comuníquese con la tienda donde compra.

(Recuerde traer la factura de compra)

2. Si su producto se descompone y necesita reparación, comuníquese con el proveedor de servicios postventa.

## ● ATENCIÓN

La información del modelo en la base de datos del producto, así como el identificador del modelo, se puede obtener a través de un enlace web escaneado por un código QR, si lo hubiera, en la etiqueta de eficiencia energética del producto.

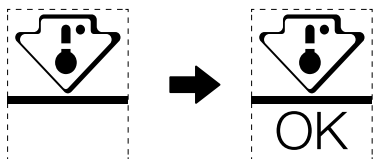
Para obtener más información sobre la eficiencia energética del aparato, visite <https://ec.europa.eu> y busque usando el nombre del modelo

El nombre del modelo se puede encontrar en la etiqueta de clasificación del aparato.

## Zona más fría del refrigerador.

### OPCIONAL: Indicador de temperatura OK

- El indicador de temperatura OK se puede utilizar para determinar temperaturas inferiores a +4 °C. Reduzca gradualmente la temperatura si la señal no indica "OK".



- Para asegurar la temperatura en esta área, no cambie la posición del estante. Refrigeradores de aire forzado (equipados con ventilador o modelos Sin escarcha), no se representa el símbolo de la zona más fría porque la temperatura interior es homogénea.

ES

### Indicador de ajuste de temperatura

- Para ayudarle a configurar bien su refrigerador, está equipado con un indicador de temperatura que monitoreará la temperatura promedio en la zona más fría.
- ADVERTENCIA: Este indicador está diseñado para funcionar únicamente con su refrigerador, no lo use en otro refrigerador (de hecho, la zona más fría no es la misma), ni para ningún otro uso.

### Comprobación de la temperatura en la zona más fría

- Con el indicador de temperatura, puedes comprobar periódicamente que la temperatura de la zona más fría es la correcta. De hecho, la temperatura interna del refrigerador depende de varios factores, como la temperatura ambiente de la habitación, la cantidad de alimentos almacenados y la frecuencia de apertura de la puerta. Tenga en cuenta estos factores al configurar el dispositivo.
- Cuando el indicador muestra «OK», significa que su termostato está bien ajustado y la temperatura interna es correcta.
- Si el indicador de temperatura se vuelve BLANCO, significa que la temperatura es demasiado alta; en este caso, aumente la configuración del control de temperatura del refrigerador y espere 12 horas antes de realizar una nueva inspección visual del indicador. Cuando se han introducido alimentos frescos o se ha dejado la puerta abierta, es posible que el indicador de temperatura se vuelva BLANCO después de un tiempo.

## **CARTA DE AGRADECIMENTO**

Obrigado por escolher Midea! Antes de usar o seu novo produto da Midea, leia com atenção este manual para garantir que você saiba como operar as funções do seu novo aparelho de uma forma segura.

# **CONTEÚDOS**

<b>CARTA DE AGRADECIMENTO</b> .....	01
<b>ESPECIFICAÇÕES</b> .....	02
<b>VISÃO GERAL DO PRODUTO</b> .....	03
<b>INSTALAÇÃO DO PRODUTO</b> .....	04
<b>INSTRUÇÕES DE OPERAÇÃO</b> .....	12
<b>LIMPEZA E MANUTENÇÃO</b> .....	17
<b>RESOLUÇÃO DE PROBLEMAS</b> .....	19
<b>APÊNDICE</b> .....	21

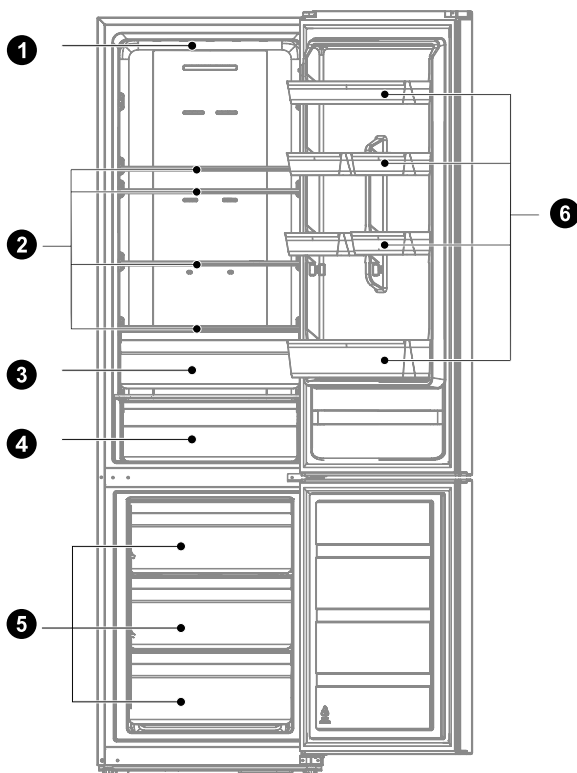
# ESPECIFICAÇÕES

<b>Modelo do produto</b>	<b>MDRB489FGE</b>
Volume do Compartimento de Armazenamento de Alimentos Frescos	247 L
Volume de Armazenamento de Alimentos Congelados	83 L
Tipo de degelo	Descongelamento automático
Tempo de subida da temperatura	8 h
Capacidade de Congelamento	4 kg/24h
Tensão/Frequência nominal	220-240V-/50Hz
Corrente Nominal	0,7 A
Dimensão global (H x W x D)	2010x595x635 mm

PT

# VISÃO GERAL DO PRODUTO

## Nomes dos componentes



1 Luz de energia

2 Prateleira

3 Gaveta de frutas e vegetais

4 Gaveta de refrigeração

5 Esquema

6 Bandeja da porta

### ● ATENÇÃO

A imagem acima serve apenas para referência. A configuração real depende do produto físico ou da indicação do distribuidor.

# INSTALAÇÃO DO PRODUTO

## Instruções de instalação

### Para aparelhos frigoríficos com classe climática

- Dependendo da classe climática, este aparelho de refrigeração é para o uso na gama de temperaturas ambiente tal como especificado na tabela seguinte.
- A classe climática pode ser encontrada na placa de classificação. O produto pode não funcionar bem a temperaturas fora da gama especificada.
- É possível encontrar a classe climática na etiqueta do produto.

### Gama de temperaturas efectivas

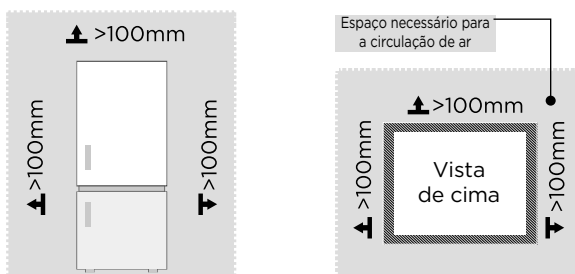
- O produto é concebido para funcionar de forma normal na gama de temperaturas especificada pela sua classificação de classe.

PT

Classe	Símbolo	Gama de temperatura ambiente °C	
		IEC 62552 (ISO 15502)	ISO 8561
Temperado estendido	SN	+ 10 - + 32	+ 10 - + 32
Temperado	N	+ 16 - + 32	+ 16 - + 32
Subtropical	ST	+ 18 - + 38	+ 16 - + 38
Tropical	T	+ 18 - + 43	+ 16 - + 43

### Dimensões e folgas

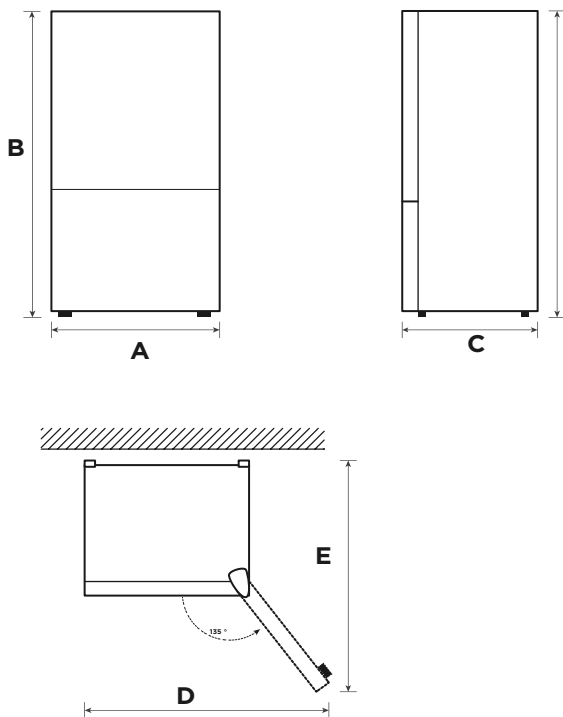
- Uma distância demasiado pequena de itens adjacentes pode resultar na degradação da capacidade de congelação e no aumento dos custos de electricidade. Deixe mais de 100 mm de espaço livre de cada parede adjacente ao instalar o aparelho.



### ATENÇÃO

A imagem acima serve apenas para referência. A configuração real depende do produto físico ou da indicação do distribuidor.

Diagrama de espaço necessário (quando a porta está aberta e quando a porta está fechada)



PT

Largura	Altura Total	Profundidade	Largura Porta aberta a 135°	Profundidade Porta aberta a 135°
A	B	C	D	E
595	2010	635	1016	1186

Obs.: Todas as dimensões em mm

## Mudança de direita-esquerda da porta (opcional)

Baseado no lugar onde você planeia usar o seu refrigerador, poderá achar mais conveniente reverter a posição da porta.

### CUIDADO

CUIDADO: Para evitar ferimentos a si mesmo ou às suas propriedades, recomendamos que alguém o ajude durante o processo de reversão de portas.

Preparar para reverter a posição da porta

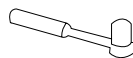
Você vai precisar: Uma chave de fenda padrão, uma chave de fenda Phillips, e a chave Allen incluída.

- Certifique-se de que o seu refrigerador está tirado da tomada e vazio.
- Há alguém disponível para o ajudar no processo.
- Guarde todas as peças removidas para o reuso mais tarde.

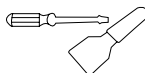
### Ferramentas necessárias para mudar a porta:



Chave de fenda phillips



5/16" Tomada e catraca



Chave de fenda de lâmina fina com espátula



Fita adesiva

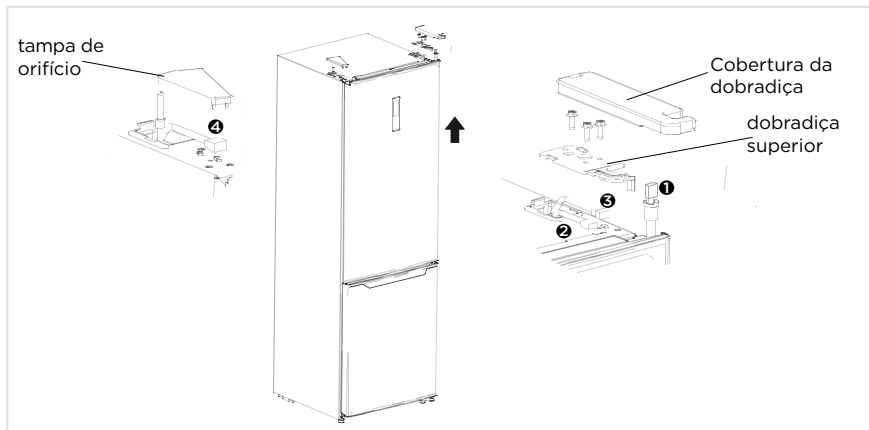
### Peças a serem usadas para inverter a porta

SN	Nome	Número	Notas:
1	Manga do veio	1	Pré-instalado no refrigerador e para ser utilizado quando se muda a porta
2	Parafusos da dobradiça superior	1	
3	Rolha direita	1	Pré-instalada no refrigerador, removida quando a porta esteja invertida e guardada para o uso futuro
4	Assembleia da tampa da dobradiça	1	
5	Interruptor de pilar	1	Pré-instalado no refrigerador e para ser utilizado quando se muda a porta
6	Tampa da dobradiça direita	1	Pré-instalada no refrigerador, removida quando a porta esteja invertida e guardada para o uso futuro
7	Dobradiça superior direita	1	
8	Pé ajustável	1	Pré-instalado no refrigerador e para ser utilizado quando se muda a porta
9	Pacote de acessórios	3	Dobradiça superior esquerda/Tampa da dobradiça superior esquerda/ Rolha esquerda
10	Assembleia da dobradiça inferior	1	Pré-instalado no refrigerador e para ser utilizado quando se muda a porta
11	Parafuso da dobradiça inferior	2	
12	Placa de tampa da extremidade	1	
13	tampa de orifício	1	



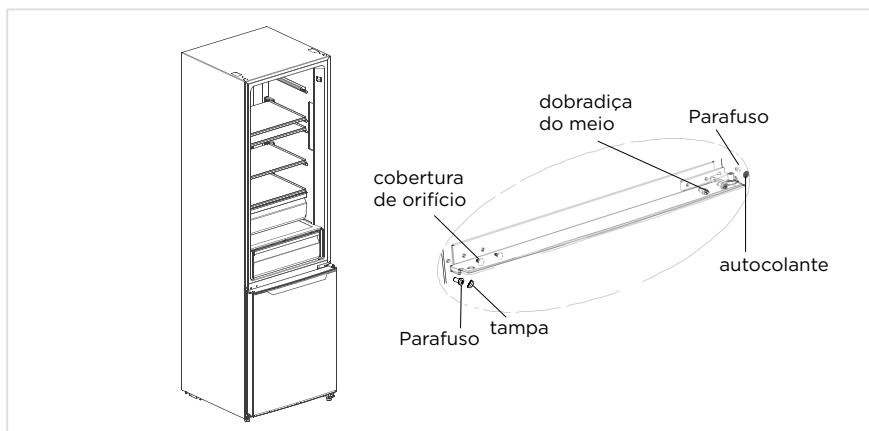
**Passo:**

1. Por favor, desligue o aparelho antes de realizar esta operação. Remova todos os alimentos das prateleiras de porta. Fixe a porta pelas fitas adesivas.
2. Desmonte a tampa da dobradiça superior, os parafusos e a dobradiça superior, e remova a tampa do orifício do outro lado. Desligue o conector de cablagem no lado direito do topo do frigorífico (1, 3 conector de cablagem).

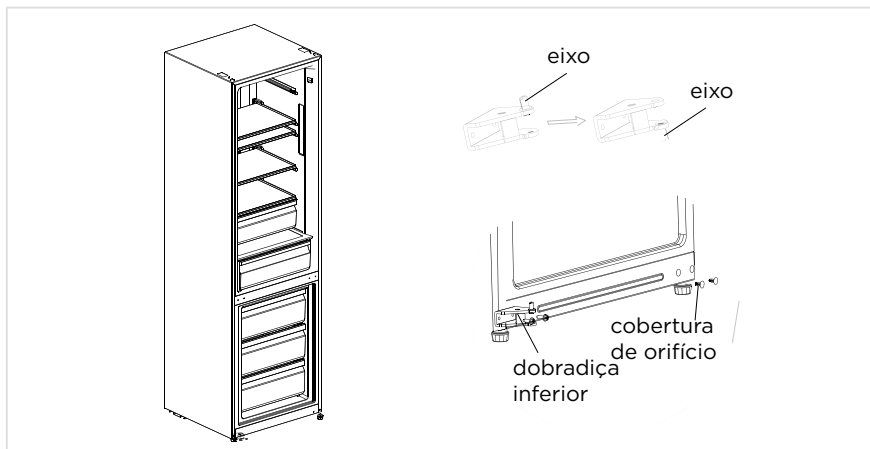


PT

3. Tire a porta da câmara frigorífica, bem como os parafusos da tampa do parafuso, o autocolante e a dobradiça média, a tampa do orifício.

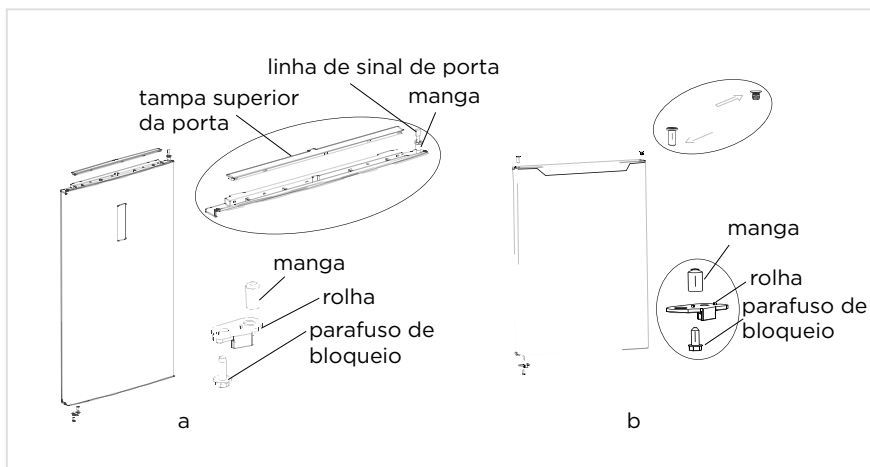


4. Tire a porta da câmara de congelação, desmonte a dobradiça inferior, as tampas do orifício. Instale a haste da dobradiça inferior do outro lado e instale a dobradiça inferior do outro lado da viga inferior.

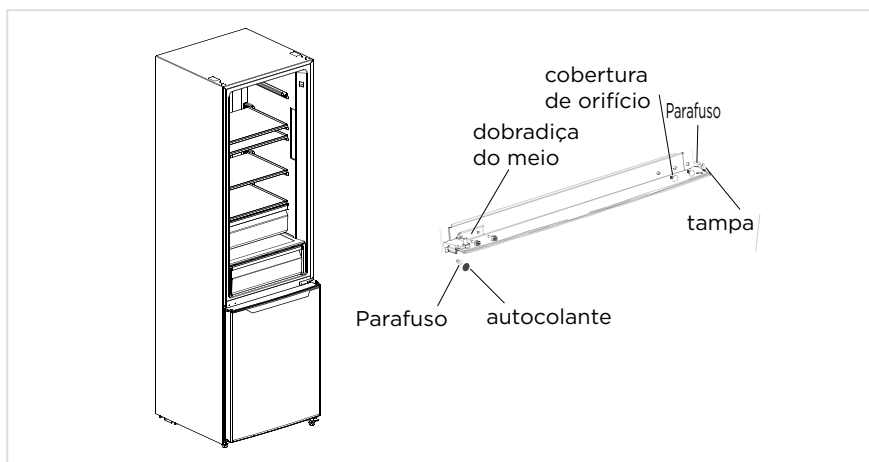


PT

5. a) Retire a tampa superior da porta da câmara frigorífica, instale a manga superior da dobradiça, linha de sinal da porta para o outro lado e instale a tampa superior da porta. Desmonte a rolha e o tubo de manga do fundo direito da porta da câmara de congelação, tire para fora outra rolha livre (para porta reversível), e monte o tubo de manga e a rolha livre no fundo esquerdo da porta por parafuso, e instale a manga superior da dobradiça, a linha de sinal da porta para o outro lado e instale a tampa superior da porta.
- b) Desmonte a rolha e o tubo de manga do fundo direito da porta da câmara de congelação, tire para fora outra rolha livre (para porta reversível), e monte o tubo de manga e a rolha livre no fundo esquerdo da porta por parafuso. Retire o tubo da manga e as tampas dos orifícios na porta da câmara de congelação e monte-o no outro lado.

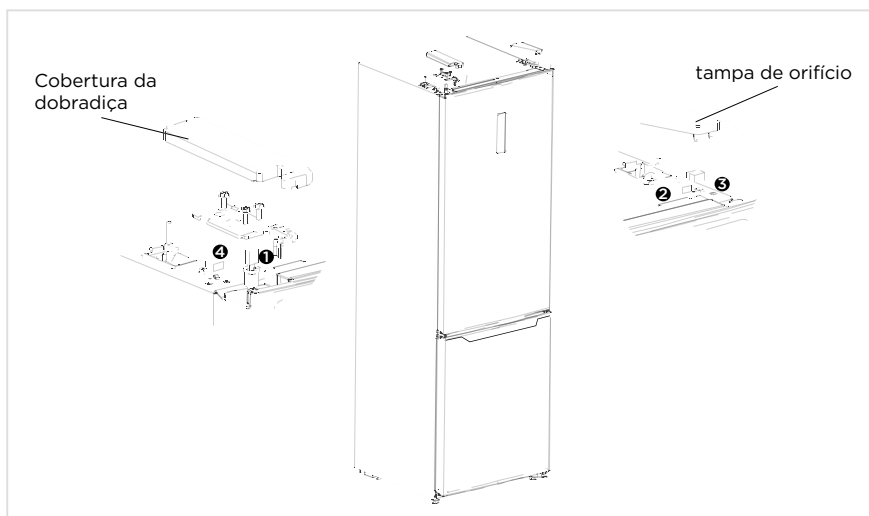


6. Coloque a porta de congelamento na dobradiça inferior, instale a dobradiça média, as tampas do orifício, a tampa do parafuso e o autocolante.



PT

7. Tire para fora a dobradiça superior esquerda, a tampa da dobradiça superior esquerda da embalagem de acessórios. Coloque a porta de refrigeração na dobradiça média, instale a dobradiça superior. Ligue o terminal da linha de sinal ④ com o terminal da linha de sinal ①, ligue o terminal da linha de sinal ② com o terminal da linha de sinal ③; instale a tampa da dobradiça superior e a tampa do orifício.



● **ATENÇÃO**

A imagem acima serve apenas para referência. A configuração real depende do produto físico ou da indicação do distribuidor.

## Colocação

- Antes de usar, remova todos os materiais de embalagem, incluindo almofadas inferiores, almofadas de espuma e fitas no interior do frigorífico; rasgue a película protetora nas portas e no corpo do frigorífico.
- Mantenha-se afastado do calor e evite a luz solar direta. Não coloque o frigorífico em locais húmidos ou molhados para evitar ferrugem ou redução do efeito isolante.
- Não pulverize ou lave o frigorífico; não coloque o frigorífico em locais húmidos fáceis de salpicar com água para não afetar as propriedades de isolamento elétrico do frigorífico.
- O frigorífico é colocado num lugar interior bem-ventilado; o chão deve ser plano, e resistente (rode para a esquerda ou direita para ajustar a roda para nivelção se estiver instável).

## Pés de nivelamento



PT

Para evitar vibrações, a unidade deve ser nivelada.

Se necessário, ajuste os parafusos de nivelamento para compensar o chão desnivelado.

A frente deve ser ligeiramente mais alta do que a traseira para ajudar no fecho das portas.

Os parafusos de nivelamento podem ser facilmente rodados inclinando ligeiramente o armário.

Rode os parafusos de nivelamento no sentido contrário ao dos ponteiros do relógio  para levantar a unidade, no sentido dos ponteiros do relógio  para a baixar.

## Mover o aparelho

1. Retire todos os alimentos do interior do aparelho.
2. Puxe a ficha de alimentação para fora, insira-a e fixe-a no gancho da ficha de alimentação na parte de trás ou em cima do aparelho.
3. Peças de fita adesiva, tais como prateleiras e o puxador da porta, para evitar que caiam durante o movimento do aparelho.
4. Desloque o aparelho com mais de duas pessoas cuidadosamente. Ao transportar o aparelho por uma longa distância, mantenha o aparelho na vertical.
5. Após a instalação do aparelho, ligue a ficha de alimentação a uma tomada para ligar o aparelho.

### ATENÇÃO

Precauções antes da operação:

Antes de efetuar alterações, o frigorífico deve ser desligado da corrente, devem ser tomadas precauções para evitar qualquer lesão pessoal.

## Mude a luz

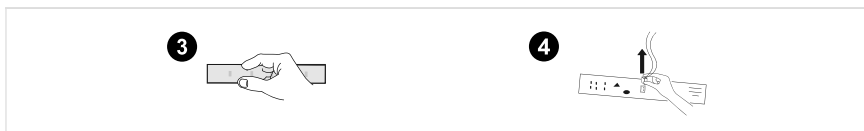
- Qualquer substituição ou manutenção das lâmpadas LED destina-se a ser feita pelo fabricante, o seu agente de serviço ou a pessoa qualificada. Este produto contém uma fonte de luz de classe de eficiência energética <F>.

### Passo

1. Por favor, remova a ficha antes de a remover
2. Por favor, remova o abajur com uma chave de fenda.



3. Retire o painel da lâmpada.
4. Remova o terminal de ligação.



## Ligue o aparelho

Antes do arranque inicial, mantenha o frigorífico parado por meia hora antes da sua ligação à fonte de alimentação.

### ● ATENÇÃO

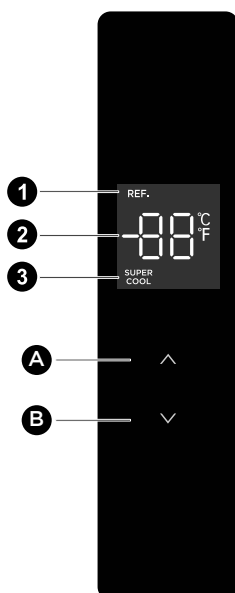
Antes de colocar os alimentos frescos ou congelados no seu interior, o aparelho deverá funcionar por 2 ou 3 horas, ou por mais de 4 horas no verão, quando a temperatura ambiente é alta.

## Dicas para poupar energia

- O aparelho deve estar colocado na área mais fria da sala, longe dos aparelhos que produzem calor ou condutas de aquecimento, e da luz solar direta.
- Deixe que os alimentos quentes arrefeçam até à temperatura ambiente antes de os colocar no frigorífico. A sobrecarga do aparelho obriga o compressor a funcionar por mais tempo. Alimentos que congelam muito lentamente podem perder qualidade ou estragar.
- Não se esqueça de embrulhar corretamente os alimentos, e secar os recipientes antes de os colocar no frigorífico. Tal reduz o gelo acumulado dentro do aparelho.
- O depósito do aparelho não deve ser revestido com folha de alumínio, papel de cera, ou papel de cozinha. Pois interferem na circulação de ar frio, tornando o aparelho menos eficiente.
- Organize e etiquete os alimentos para reduzir as aberturas das portas e as buscas prolongadas. Remova todos os alimentos necessários de uma só vez e feche a porta o mais rápido possível.

# INSTRUÇÕES DE OPERAÇÃO

## Painel de controlo



PT

### ● ATENÇÃO

A imagem acima serve apenas para referência. A configuração real depende do produto físico ou da indicação do distribuidor.

### Botão de ajuste

- |          |   |
|----------|---|
| <b>A</b> | Botão Temperature up (Subida de temperatura)    |
| <b>B</b> | Botão Temperature down (Descida de temperatura) |

### Ecrã de exibição

- |          |   |
|----------|---|
| <b>1</b> | Ícone Refrigerating (Refrigeração)                  |
| <b>2</b> | Ícone Temperature display (Exibição da temperatura) |
| <b>3</b> | Ícone Super freezing (Super-congelação)             |

## Ecrã de Exibição

- Ao ligar o frigorífico pela 1ª vez, todo o painel de visor brilhará por 3 segundos. Depois, o painel de visor entra no visor normal. A luz de visor da abertura da porta acende-se. Quando a porta se fecha, a luz de visor se apaga. A primeira vez do uso do frigorífico, as temperaturas predefinidas da câmara frigorífica são de 5°C.
- Quando ocorre o erro, o painel de visor mostra o código de erro. Caso contrário, o painel de visor mostra a temperatura definida.

## Definição de temperatura

- Pressione o botão de aumentar a temperatura “ $\Delta$ ” para ajustar a temperatura, cada clique do botão de aumentar a temperatura “ $\Delta$ ”, a temperatura definida será aumentada 1°C; Pressione o botão de baixar a temperatura “ $\nabla$ ” para ajustar a temperatura, cada clique do botão de baixar a temperatura “ $\nabla$ ”, a temperatura definida será reduzida 1°C; A gama de definição da temperatura da câmara frigorífica é de 2-8°C. Quando a temperatura é ajustada para o valor limite, o frigorífico fará um alarme se o botão de aumentar a temperatura “ $\Delta$ ” ou o botão de baixar a temperatura “ $\nabla$ ” ainda tiver sido pressionado.

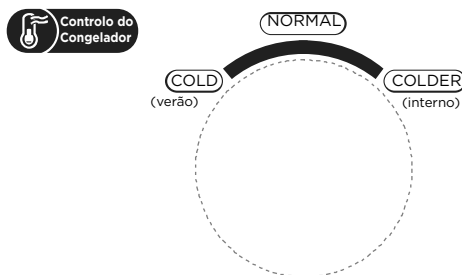
## Ajustar o modo

- Definir o modo Super cooling (Super arrefecimento): depois que a temperatura da câmara frigorífica foi ajustada para 2°C, pressione o botão “ $\nabla$ ” para entrar no modo Super cooling (Super arrefecimento). No modo de super arrefecimento, a temperatura da câmara frigorífica é automaticamente definida para 2°C.
- Sair do modo Super cooling (Super arrefecimento): pressione o botão de aumentar a temperatura “ $\Delta$ ” para sair do modo Super cooling (Super arrefecimento) ou sair automaticamente do modo Super cooling (Super arrefecimento) após 6h. Após sair do modo de super arrefecimento, a temperatura do frigorífico volta automaticamente para a temperatura definida antes do modo de super arrefecimento.

## Controlo do alarme de abertura

- Se a porta não for fechada em dois minutos, a alarme soará até que a porta seja fechada. Pressione qualquer botão para parar o alarme sonoro.

## O ajuste da temperatura pode sair do modo de refrigeração rápida



## Controlo de temperatura da câmara de congelamento

- A temperatura de congelamento está relativamente baixa na posição "COLDER (MAIS FRIO)", enquanto a temperatura de congelamento está relativamente alta na posição "COLD (FRIO)", assim, a posição "NORMAL" é geralmente usada.
- Quando a temperatura ambiente está alta no verão, a temperatura deve estar na gama de "NORMAL" a "COLD (FRIO)". Se a temperatura ambiente for superior a 35°C, então a posição "COLD (FRIO)" prevalecerá.
- Quando a temperatura ambiente está baixa no inverno, a temperatura deve estar na gama de "NORMAL" a "COLDER (MAIS FRIO)". Se a temperatura ambiente for inferior a 10°C, então a posição "COLDER (MAIS FRIO)" prevalecerá.

## Aviso de abertura e controlo de alarme

- Ao abrir a porta do frigorífico, a música da abertura da porta tocará. Se a porta não for fechada em dois minutos, o alarme continuará a tocar até que a porta seja fechada. Pressione qualquer botão para parar o alarme sonoro.

## Indicação de falha

- Os seguintes avisos que aparecem no ecrã indicam as avarias correspondentes do frigorífico.
- Embora o frigorífico ainda possa ter função de refrigeração com as seguintes avarias, o utilizador deverá contactar um especialista para manutenção, a fim de assegurar um funcionamento otimizado do aparelho.

Código de Falha	Descrição de falha
E1	Falha do sensor de temperatura da câmara frigorífica
E2	Falha do sensor de temperatura da câmara do congelador
E3	Falha do sensor de temperatura da gaveta de refrigeração
E5	Erro no circuito do sensor de deteção de descongelamento
E6	Erro de comunicação
E7	Erro do sensor de temperatura ambiente

PT



## Câmara frigorífica

- A câmara frigorífica é adequada para o armazenamento de uma variedade de frutas, legumes, bebidas e outros alimentos consumidos a curto prazo, o tempo sugerido de armazenamento é de 3 a 5 dias.
- Os alimentos cozinhados não devem ser colocados na câmara frigorífica até que sejam arrefecidos à temperatura ambiente.
- Recomenda-se que os alimentos sejam selados antes de serem colocados na câmara frigorífica.
- As prateleiras de vidro podem ser ajustadas para cima ou para baixo para uma quantidade razoável de espaço de armazenamento e de uso fácil.

## Câmara de congelação

- A câmara de congelação a baixa temperatura pode manter os alimentos frescos por muito tempo e é usada principalmente para armazenar alimentos congelados e fazer gelo.
- A câmara de congelação é adequada para armazenamento de carne, peixe, bolas de arroz e outros alimentos não consumidos a curto prazo.
- Os pedaços de carne devem de preferência ser divididos em pequenos pedaços para um congelamento rápido e um uso fácil. Observe que os alimentos devem ser consumidos dentro do prazo de validade.

PT

## Gaveta de refrigeração

- Adequado para curto prazo (1-3 dias) para comer peixe fresco, carne fresca, alimentos frescos, etc.
- Próximos à parte de trás e ao fundo da gaveta, os alimentos podem ser congelados, e não se pode colocar na gaveta os alimentos que não devem ser congelados.
- Sugere-se a classificação de alimentos e a embalagem de selagem.

### ATENÇÃO

Nota: O armazenamento de alimentos demais durante a operação após a conexão inicial com a energia pode afetar negativamente o efeito de congelamento do frigorífico.

Nº	Compartimentos TIPO	Temperatura de armazenamento alvo. [°C]	Alimento apropriado
1	Frigorífico	+2 - +8	Ovos, alimentos cozinhados, alimentos embalados, frutas e vegetais, produtos lácteos, bolos, bebidas e outros alimentos não são adequados para congelação.
2	(***)*-Congelador	≤-18	Produtos do mar (peixe, camarão, marisco), produtos aquáticos de água doce e produtos de carne (recomendados para 3 meses, quanto maior o tempo de armazenamento, pior o sabor e a nutrição), adequados para alimentos frescos congelados.
3	***-Congelador	≤-18	Produtos do mar (peixe, camarão, marisco), produtos aquáticos de água doce e produtos de carne (recomendados para 3 meses, quanto maior o tempo de armazenamento, pior o sabor e a nutrição), adequados para alimentos frescos congelados.
4	** -Congelador	≤-12	Produtos do mar (peixe, camarão, marisco), produtos aquáticos de água doce e produtos de carne (recomendados para 3 meses, quanto maior o tempo de armazenamento, pior o sabor e a nutrição), adequados para alimentos frescos congelados.
5	*-Congelador	≤-6	Produtos do mar (peixe, camarão, marisco), produtos aquáticos de água doce e produtos de carne (recomendados para 3 meses, quanto maior o tempo de armazenamento, pior o sabor e a nutrição), adequados para alimentos frescos congelados.
6	0 estrela	-6 - 0	Carne fresca de porco, vaca, peixe, frango, alguns alimentos transformados embalados, etc. (Recomenda-se comer no mesmo dia, de preferência não mais do que 3 dias). Alimentos transformados parcialmente encapsulados (alimentos não congeláveis).
7	Frio	-2 - +3	Carne de porco, carne de vaca, frango, produtos aquáticos de água doce, etc. (7 dias abaixo de 0°C e acima de 0°C é recomendado para consumo dentro desse dia, de preferência não mais de 2 dias). Mariscos (menos de 0 durante 15 dias, não se recomenda o armazenamento acima de 0°C).
8	Alimentos frescos	0 - +4	Carne fresca de porco, vaca, peixe, frango, comida cozinhada, etc. (Recomendado comer no mesmo dia, de preferência não mais do que 3 dias)
9	Vinho	+5 - +20	Vinho tinto, vinho branco, vinho espumante, etc.

### ATENÇÃO

por favor armazenar diferentes alimentos de acordo com os compartimentos ou a temperatura de armazenamento alvo da sua compra

# LIMPEZA E MANUTENÇÃO

## Limpeza geral

- O pó atrás do frigorífico e no chão deve ser limpo atempadamente para melhorar o efeito de arrefecimento e poupança de energia.
- Verifique regularmente a junta da porta para ter a certeza de que não há detritos. Limpe a junta da porta com um pano macio humedecido com água e sabão ou detergente diluído.
- O interior do frigorífico deve ser limpo regularmente para evitar odores.
- Desligue a corrente antes de limpar o interior, retire todos os alimentos, bebidas, prateleiras, gavetas, etc.
- Utilize um pano ou esponja macia para limpar o interior do frigorífico, com duas colheres de sopa de bicarbonato de sódio e um litro de água morna. O frigorífico deve ser limpo com água e um pano seco. Após a limpeza, abra a porta e deixe secar naturalmente antes de ligar a energia.
- Para áreas difíceis de limpar no frigorífico (tais como sanduíches estreitas, fendas ou cantos), recomenda-se limpá-las regularmente com um pano macio, escova macia, etc., e quando necessário, combinado com algumas ferramentas auxiliares (tais como paus finos) para garantir a não acumulação de contaminantes ou bactérias nestas áreas.
- Não utilize sabão, detergente, pó para esfregar, detergente em spray, etc., pois estes podem causar odores no interior do frigorífico ou alimentos contaminados.
- Limpe a armação da garrafa, prateleiras e gavetas com um pano macio humedecido com água com sabão ou detergente diluído. Seque com um pano macio ou deixe secar ao ar.
- Limpe a superfície exterior do frigorífico com um pano macio humedecido com água com sabão, detergente, etc., e depois limpe a seco.
- Não use escovas duras, bolas de aço limpas, escovas de arame, abrasivos (tais como pastas de dentes), solventes orgânicos (tais como álcool, acetona, óleo de banana, etc.), água a ferver, artigos ácidos ou alcalinos, que podem danificar a superfície e o interior do frigorífico. Água quente e solventes orgânicos como o benzeno, podem deteriorar ou danificar as zonas em plástico.
- Não lave diretamente com água ou outros líquidos durante a limpeza para evitar curto-circuitos ou afetar o isolamento elétrico após a imersão.

## ATENÇÃO

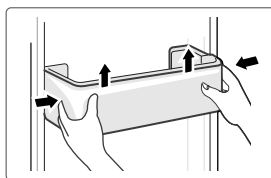
Favor desligue o frigorífico para descongelar e limpar.

## Degelo

- O frigorífico é feito com base no princípio de arrefecimento por ar e tem assim a função de descongelamento automático. A geada formada devido à mudança de estação ou temperatura também pode ser removida manualmente através de desligar o aparelho da fonte de alimentação ou limpar com uma toalha seca.

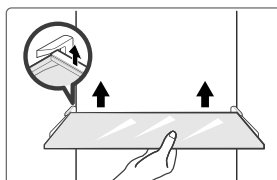
## Limpeza do tabuleiro da porta

- De acordo com a seta de direção na figura abaixo, use ambas as mãos para apertar o tabuleiro, e empurre-o para cima, depois pode retirá-lo.
- Após a lavagem do tabuleiro ter sido retirado, pode ajustar a sua altura de instalação de acordo com as suas exigências.



## Limpeza do tabuleiro da porta

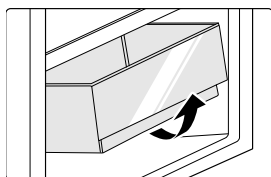
- Como a parte mais interior do forro do frigorífico, onde o contato com as prateleiras tem uma tampa traseira, deve levantar as prateleiras para cima, depois pode retirá-lo.
- Ajuste ou limpe as prateleiras de acordo com as suas exigências.



PT

## Limpeza da gaveta dos legumes

1. Retire o conteúdo da gaveta. Segure a pega da gaveta dos legumes e puxe-a completamente para fora até parar.
2. Levante a gaveta de legumes e retire-a puxando-a para fora.



## Fora de funcionamento

### Falha de energia:

Em caso de falha de energia, mesmo no verão, os alimentos dentro do aparelho podem ser mantidos por várias horas; durante a falha de energia, deverá reduzir o tempo de abertura das portas, e não deverá colocar alimentos quentes no seu interior.

### Sem uso por um longo tempo:

O aparelho deve ser desligado e depois limpo; em seguida, as portas deverão ser deixadas abertas para evitar odores.

### Deslocar:

Antes de mover o aparelho, retire todos os itens do seu interior e fixe as prateleiras de vidro, as gavetas de fruta e vegetais, as gavetas do compartimento de congelação e etc. com fita adesiva; aperte os pés ajustáveis; feche as portas e fixe-as com fita adesiva. Durante a movimentação, o aparelho não deve ser colocado de cabeça para baixo ou horizontalmente, nem sofrer vibração; a inclinação durante o movimento não deve ser superior a 45°.

### ⚠ ATENÇÃO

O aparelho deve funcionar continuamente uma vez ligado à corrente. Geralmente, o funcionamento do aparelho não deve ser interrompido; caso contrário, a vida útil pode ser prejudicada.

# RESOLUÇÃO DE PROBLEMAS

Os seguintes problemas podem ser resolvidos por si. Por favor, contate o departamento de serviço pós-venda se os problemas não forem resolvidos.

Problema	Possível razão
Falha no funcionamento	<ul style="list-style-type: none"><li>• Verifique se o aparelho está ligado à corrente ou se a ficha está em bom contacto</li></ul>
	<ul style="list-style-type: none"><li>• Verifique se a voltagem é demasiado baixa</li></ul>
	<ul style="list-style-type: none"><li>• Verifique se existe uma falha de energia ou se os circuitos parciais dispararam</li></ul>
Odores	<ul style="list-style-type: none"><li>• Os alimentos odoríferos devem ser embrulhados hermeticamente</li></ul>
	<ul style="list-style-type: none"><li>• Verifique se há comida podre</li></ul>
	<ul style="list-style-type: none"><li>• Limpe o interior do frigorífico</li></ul>
Funcionamento prolongado do compressor	<ul style="list-style-type: none"><li>• É normal que o funcionamento do frigorífico no verão é longo, quando a temperatura ambiente é elevada.</li></ul>
	<ul style="list-style-type: none"><li>• Não é sugestável ter demasiados alimentos no frigorífico ao mesmo tempo</li></ul>
	<ul style="list-style-type: none"><li>• Os alimentos devem arrefecer antes de serem colocados no aparelho</li></ul>
	<ul style="list-style-type: none"><li>• As portas são abertas com demasiada frequência</li></ul>
A luz não acendeu	<ul style="list-style-type: none"><li>• Verifique se o frigorífico está ligado à rede eléctrica e se a luz de iluminação está danificada</li></ul>
	<ul style="list-style-type: none"><li>• Mandar substituir a luz por um especialista</li></ul>
A porta não pode ser devidamente fechada	<ul style="list-style-type: none"><li>• A porta está presa por embalagens de alimentos</li></ul>
	<ul style="list-style-type: none"><li>• O frigorífico está inclinado.</li></ul>
Ruídos elevados	<ul style="list-style-type: none"><li>• Verifique se o chão é nivelado e se o frigorífico é colocado de forma estável</li></ul>
	<ul style="list-style-type: none"><li>• Verifique se os acessórios são colocados em locais apropriados</li></ul>

PT

Problema	Possível razão
O vedante da porta não está apertado	<ul style="list-style-type: none"> <li>• Remova matérias estranhas no selo da porta</li> <li>• Aqueça a junta da porta e depois arrefeça-a para restauração (ou sobre-a com um secador elétrico ou utilize uma toalha quente para aquecimento)</li> </ul>
A panela da água está a transbordar	<ul style="list-style-type: none"> <li>• Há demasiados alimentos na câmara ou os alimentos armazenados contêm demasiada água, o que resulta em descongelação pesada</li> <li>• As portas não estão devidamente fechadas, resultando em congelamento devido à entrada de ar e aumento de água devido ao descongelamento</li> </ul>
Exterior quente	<ul style="list-style-type: none"> <li>• Dissipação de calor do condensador incorporado através da caixa, o que é normal. Quando a carcaça se torna quente devido à alta temperatura ambiente, o armazenamento de demasiados alimentos ou o desligamento do compressor é desligado, proporcionam uma ventilação sonora para facilitar a dissipação de calor.</li> </ul>
Condensação superficial	<ul style="list-style-type: none"> <li>• A condensação na superfície exterior e nos vedantes das portas do frigorífico é normal quando a humidade ambiente é demasiado elevada. Basta limpar o condensador com uma toalha limpa.</li> </ul>
Ruído anormal	<ul style="list-style-type: none"> <li>• Zumbir: O compressor pode fazer zumbidos durante o funcionamento, especialmente no início e fim do funcionamento. Isto é normal.</li> <li>• Chiar: O refrigerante que flui dentro do aparelho pode produzir estalos, o que é normal.</li> </ul>

PT

# APÊNDICE

## Especial para o novo padrão europeu

As peças encomendadas na tabela seguinte podem ser adquiridas no canal do fornecedor do serviço

Peça encomendada	Fornecido por	Tempo mínimo necessário para Provisão
Termóstatos	Pessoal de manutenção profissional	Pelo menos 7 anos após o último modelo ser lançado no mercado
Sensores de temperatura	Pessoal de manutenção profissional	Pelo menos 7 anos após o último modelo ser lançado no mercado
Placas de circuitos impressos	Pessoal de manutenção profissional	Pelo menos 7 anos após o último modelo ser lançado no mercado
Fontes de luz	Pessoal de manutenção profissional	Pelo menos 7 anos após o último modelo ser lançado no mercado
Puxadores das portas	Reparadores profissionais e utilizadores finais	Pelo menos 7 anos após o último modelo ser lançado no mercado
Dobradiças das portas	Reparadores profissionais e utilizadores finais	Pelo menos 7 anos após o último modelo ser lançado no mercado
Tabuleiros	Reparadores profissionais e utilizadores finais	Pelo menos 7 anos após o último modelo ser lançado no mercado
Cestas	Reparadores profissionais e utilizadores finais	Pelo menos 7 anos após o último modelo ser lançado no mercado
Gaxetas de porta	Reparadores profissionais e utilizadores finais	Pelo menos 10 anos após o último modelo ser lançado no mercado

PT

### Caro Cliente,

1. Entre em contato com a loja onde você faz a compra se deseja devolver ou substituir o produto.

(Lembre-se de trazer a nota fiscal de compra)

2. Entre em contato com o fornecedor de serviço pós-venda se o seu produto quebrar e precisar de reparo.

### ATENÇÃO

As informações do modelo na base de dados do produto, bem como o identificador do modelo, podem ser obtidas através de um link do web digitalizada por um código QR, se existir, no rótulo de eficiência energética do produto.

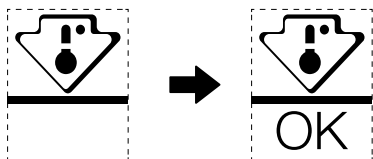
Para mais informações sobre a eficiência energética do aparelho, visite <https://ec.europa.eu> e pesquise com o nome do modelo

O nome do modelo pode ser encontrado na etiqueta de classificação do aparelho.

## A zona mais fria do frigorífico

### OPCIONAL: Indicador de temperatura OK

- O indicador de temperatura OK pode ser usado para determinar temperaturas abaixo de +4°C. Reduza gradualmente a temperatura se o sinal não indicar "OK".



- Para garantir a temperatura nesta área, não altere o posicionamento da prateleira. Frigoríficos de ar informados (equipados com um ventilador ou modelos No Frost), o símbolo da zona mais fria não é representado porque a temperatura no interior é homogénea.

PT

### Definição do indicador de temperatura

- Para o ajudar na boa definição do seu frigorífico, está equipado com um indicador de temperatura que monitorizará a temperatura média na zona mais fria.
- AVISO: Este indicador destina-se a funcionar apenas com o seu frigorífico, não o use noutro frigorífico (de fato, a zona mais fria não é a mesma), ou para qualquer outro uso.

### Verifique a temperatura na zona mais fria

- Com o indicador de temperatura, pode fazer verificação regular para ver se a temperatura da zona mais fria está correta. De fato, a temperatura interna do frigorífico depende de vários factores tais como a temperatura ambiente da sala, a quantidade de alimentos armazenados e a frequência de abertura das portas. Tome estes factores em consideração ao configurar o dispositivo.
- Quando o indicador mostra "OK", significa que o seu termóstato está bem ajustado e a temperatura interna seja correta.
- Se o indicador de temperatura ficar BRANCO, significa que a temperatura é demasiado elevada; neste caso, aumente a definição do controlo da temperatura do frigorífico e aguarde por 12 horas antes de efectuar uma nova inspeção visual do indicador. Quando os alimentos frescos tiverem sido introduzidos ou a porta tiver sido deixada aberta, é possível que o indicador de temperatura fique BRANCO passado algum tempo.



## **ΕΥΧΑΡΙΣΤΗΡΙΑ ΕΠΙΣΤΟΛΗ**

Σας ευχαριστούμε που επιλέξατε τη Midea! Πριν χρησιμοποιήσετε το νέο σας προϊόν Midea, διαβάστε προσεκτικά αυτό το εγχειρίδιο για να βεβαιωθείτε ότι γνωρίζετε πώς να χειρίζεστε τα χαρακτηριστικά και τις λειτουργίες που χρησιμοποιεί η νέα σας συσκευή με ασφαλή τρόπο.

# ΠΕΡΙΕΧΟΜΕΝΑ

<b>ΕΥΧΑΡΙΣΤΗΡΙΑ ΕΠΙΣΤΟΛΗ</b> .....	01
<b>ΠΡΟΔΙΑΓΡΑΦΕΣ</b> .....	02
<b>ΕΠΙΣΚΟΠΗΣΗ ΠΡΟΪΟΝΤΟΣ</b> .....	03
<b>ΕΓΚΑΤΑΣΤΑΣΗ ΤΟΥ ΠΡΟΪΟΝΤΟΣ</b> .....	04
<b>ΟΔΗΓΙΕΣ ΛΕΙΤΟΥΡΓΙΑΣ</b> .....	12
<b>ΚΑΘΑΡΙΣΜΟΣ ΚΑΙ ΣΥΝΤΗΡΗΣΗ</b> .....	17
<b>ΑΝΤΙΜΕΤΩΠΙΣΗ ΠΡΟΒΛΗΜΑΤΩΝ</b> .....	19
<b>ΠΑΡΑΡΤΗΜΑ</b> .....	21

GR

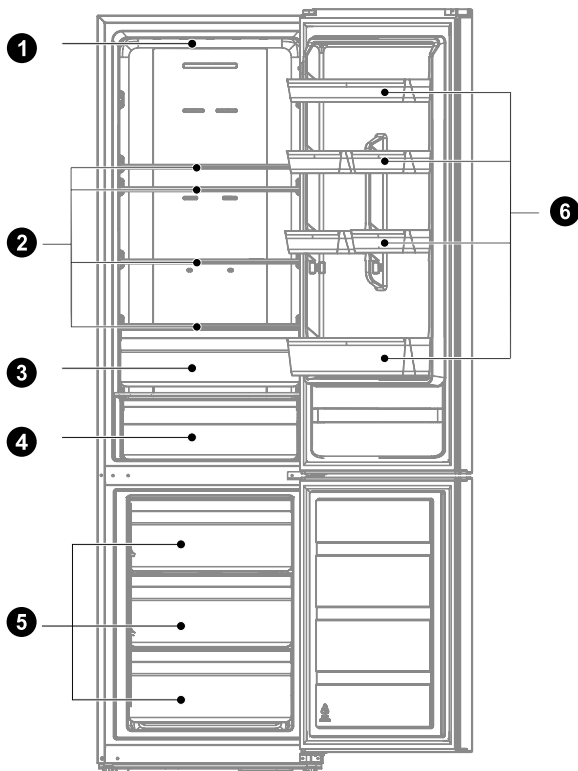
# ΠΡΟΔΙΑΓΡΑΦΕΣ

Μοντέλο προϊόντος	MDRB489FGE
Όγκος χώρου αποθήκευσης φρέσκων τροφίμων	247 Λ
Όγκος χώρου αποθήκευσης κατεψυγμένων τροφίμων	83 Λ
Τύπος απόψυξης	Αυτόματη απόψυξη
Χρόνος αύξησης θερμοκρασίας	8 h
Ικανότητα ψύξης	4 kg/24h
Όνομαστική τάση/Συχνότητα	220-240V-/50Hz
Όνομαστικό ρεύμα	0,7 A
Συνολικές διαστάσεις (Υ x Π x Μ)	2010x595x635 χλστ

GR

# ΕΠΙΣΚΟΠΗΣΗ ΠΡΟΪΟΝΤΟΣ

## Ονόματα εξαρτημάτων



1 Φωτισμός LED

2 Ράφι

3 Κουτί φρούτων και λαχανικών

4 Συρτάρι ψύξης

5 Συρτάρι

6 Θήκη για πόρτες

### ● ΠΡΟΣΟΧΗ

Η παραπάνω εικόνα είναι μόνο για αναφορά. Η πραγματική διάταξη θα εξαρτηθεί από το φυσικό προϊόν ή τη δήλωση του διανομέα

GR

# ΕΓΚΑΤΑΣΤΑΣΗ ΤΟΥ ΠΡΟΪΟΝΤΟΣ

## Οδηγίες εγκατάστασης

### Για συσκευές ψύξης με κλιματική κλάση

- Ανάλογα με την κλάση του κλίματος, αυτή η ψυκτική συσκευή προορίζεται για χρήση σε εύρος θερμοκρασιών περιβάλλοντος, όπως καθορίζεται στον ακόλουθο πίνακα.
- Η κλάση κλίματος βρίσκεται στην πινακίδα τεχνικών χαρακτηριστικών. Το προϊόν ενδέχεται να μην λειτουργεί σωστά σε θερμοκρασίες εκτός του συγκεκριμένου εύρους.
- Μπορείτε να βρείτε την κατηγορία κλίματος στην ετικέτα του προϊόντος.

### Εύρος πραγματικής θερμοκρασίας

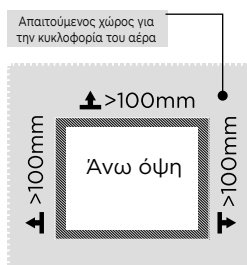
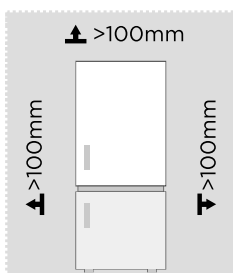
- Το προϊόν έχει σχεδιαστεί για να λειτουργεί κανονικά στο εύρος θερμοκρασίας που καθορίζεται από την κατηγορία του.

GR

Κλάση	Σύμβολο	Εύρος θερμοκρασίας περιβάλλοντος °C	
		IEC 62552 (ISO 15502)	ISO 8561
Εκτεταμένο εύκρατο	SN	+ 10 μέχρι + 32	+ 10 μέχρι + 32
Εύκρατο	N	+ 16 μέχρι + 32	+ 16 μέχρι + 32
Υποτροπικό	ST	+ 18 μέχρι + 38	+ 16 μέχρι + 38
Τροπικό	T	+ 18 μέχρι + 43	+ 16 μέχρι + 43

### Διαστάσεις και αποστάσεις

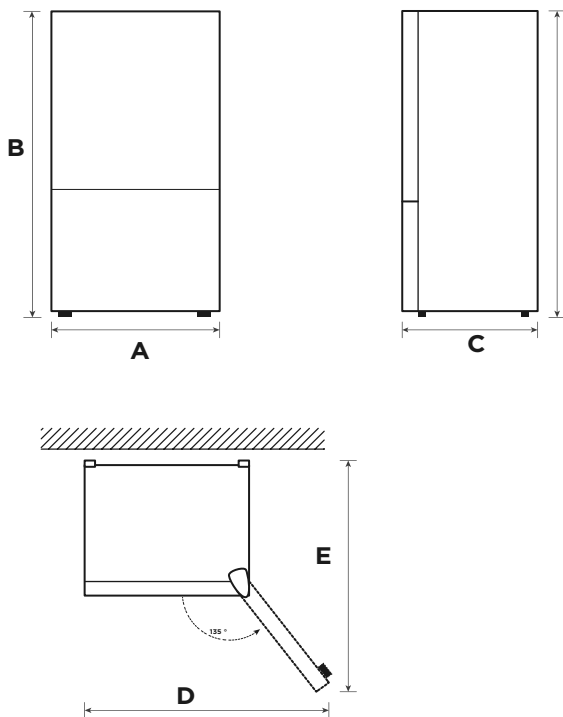
- Πολύ μικρή απόσταση από παρακείμενα αντικείμενα μπορεί να οδηγήσει σε υποβάθμιση της ικανότητας κατάψυξης και αύξηση του κόστους ηλεκτρικής ενέργειας. Κατά την εγκατάσταση της συσκευής αφήστε απόσταση πάνω από 100 mm από κάθε παρακείμενο τοίχο.



### ΠΡΟΣΟΧΗ

Η παραπάνω εικόνα είναι μόνο για αναφορά. Η πραγματική διάταξη θα εξαρτηθεί από το φυσικό προϊόν ή τη δήλωση του διανομέα

Διάγραμμα απαιτήσεων χώρου (όταν η πόρτα είναι ανοικτή και όταν η πόρτα είναι κλειστή)



GR

Πλάτος	Συνολικό ύψος	Βάθος	Πλάτος πόρτες ανοιχτές 135°	Οι πόρτες βάθους ανοίγουν 135°
A	B	C	D	E
595	2010	635	1016	1186

Ειδοποίηση: Όλες οι διαστάσεις σε mm

## Αλλαγή πόρτας δεξιά-αριστερά (προαιρετικά)

Με βάση την τοποθεσία στην οποία σκοπεύετε να χρησιμοποιήσετε το ψυγείο σας, μπορεί να σας φανεί πιο βολικό να αντιστρέψετε τη θέση της πόρτας.

### ΠΡΟΣΟΧΗ

ΠΡΟΣΟΧΗ: Για να αποφύγετε αυτοτραυματισμό ή βλάβη στην ιδιοκτησία σας, συνιστούμε να σας βοηθήσει κάποιος κατά τη διαδικασία αναστροφής της πόρτας.

Προετοιμασία για την αντιστροφή της θέσης της πόρτας

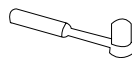
Θα χρειαστείτε: Ένα τυπικό κατσαβίδι, ένα κατσαβίδι Phillips και το κλειδί Allen που περιλαμβάνεται.

- Βεβαιωθείτε ότι το ψυγείο σας είναι αποσυνδεδεμένο και άδειο.
- Έχετε κάποιον διαθέσιμο να σας βοηθήσει στη διαδικασία.
- Διατηρήστε όλα τα εξαρτήματα που αφαιρείτε για να τα ξαναχρησιμοποιήσετε αργότερα.

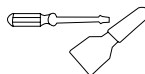
### Εργαλεία που χρειάζονται για την αλλαγή της πόρτας:



Σταυροκατσάβιδο



5/16 "υποδοχή και  
οδοντωτός τροχός



Εργαλείο κατσαβιδιών  
λεπτής λεπίδας



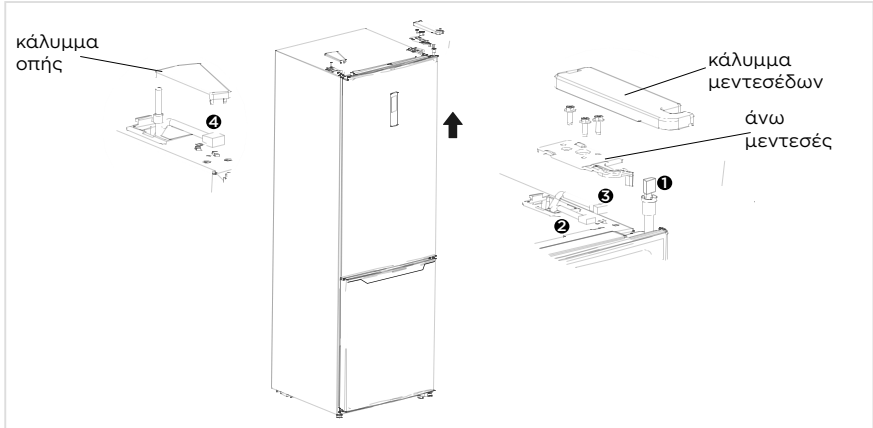
Χαρτοταινία

### Ανταλλακτικά που πρέπει να χρησιμοποιηθούν για την πίσω πόρτα

SN	Όνομα	Αριθμός	Σημειώσεις
1	Μανίκι άξονα	1	Προεγκατεστημένο στο ψυγείο και πρέπει να χρησιμοποιείται κατά την αλλαγή της πόρτας
2	Βίδα πάνω μεντεσέ	1	
3	Δεξί στόπερ	1	Προεγκατεστημένο στο ψυγείο, αφαιρείται όταν αναστρέφεται η πόρτα και διατηρείται για μελλοντική χρήση
4	Συγκρότημα καλύμματος μεντεσέδων	1	
5	Διακόπτης κολόνας	1	Προεγκατεστημένο στο ψυγείο και πρέπει να χρησιμοποιείται κατά την αλλαγή της πόρτας
6	Κάλυμμα δεξιού μεντεσέ	1	Προεγκατεστημένο στο ψυγείο, αφαιρείται όταν αναστρέφεται η πόρτα και διατηρείται για μελλοντική χρήση
7	Επάνω δεξιά άρθρωση	1	
8	Ρυθμιζόμενο πόδι	1	Προεγκατεστημένο στο ψυγείο και πρέπει να χρησιμοποιείται κατά την αλλαγή της πόρτας
9	Συσκευασία αξεσουάρ	3	Αριστερός επάνω μεντεσές/Αριστερό άνω κάλυμμα μεντεσέ/Αριστερό πώμα
10	Συγκρότημα κάτω μεντεσέ	1	
11	Κάτω βίδα μεντεσέ	2	Προεγκατεστημένο στο ψυγείο και πρέπει να χρησιμοποιείται κατά την αλλαγή της πόρτας
12	Τελική πλάκα κάλυψης	1	
13	Κάλυμμα οπής	1	

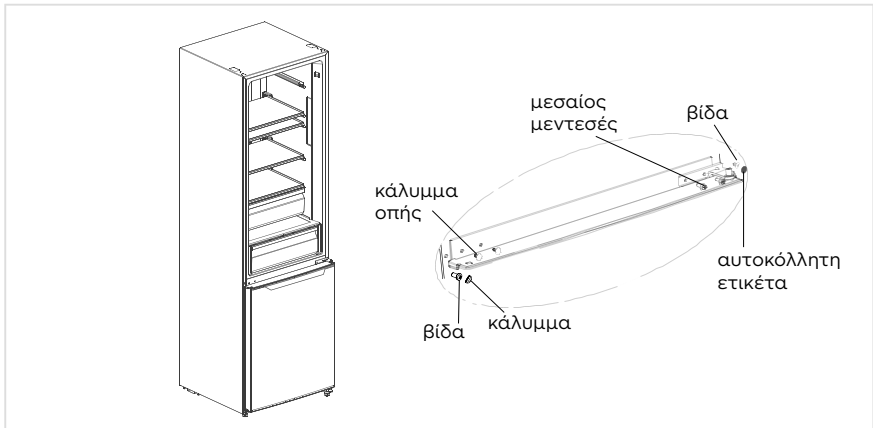
## Βήμα:

1. Απενεργοποιήστε αυτή τη συσκευή πριν εκτελέσετε αυτήν τη λειτουργία. Αφαιρέστε όλα τα τρόφιμα από τα ράφια της πόρτας. Στερεώστε την πόρτα με ταινίες.
2. Αποσυναρμολογήστε το κάλυμμα του πάνω μεντεσέ, τις βίδες και τον επάνω μεντεσέ και αφαιρέστε το κάλυμμα της οπής από την άλλη πλευρά. Αποσυνδέστε τη φίσα καλωδίωσης στη δεξιά πλευρά του επάνω μέρους του ψυγείου (❶, ❷ υποδοχή καλωδίωσης).

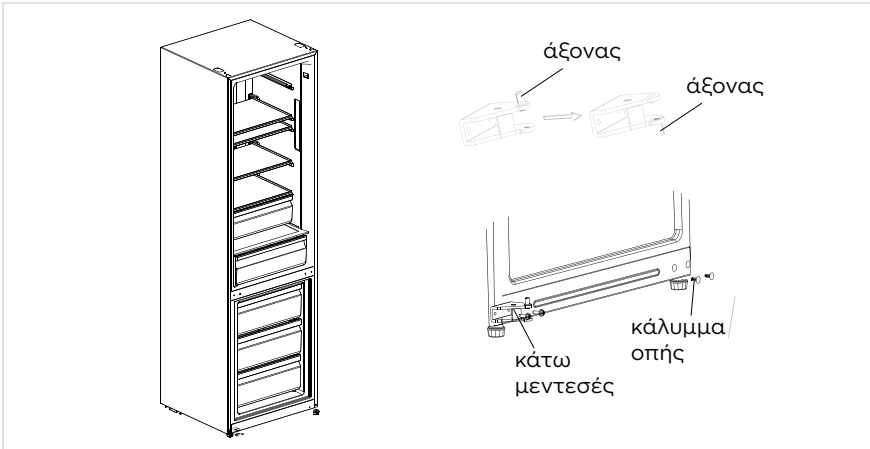


GR

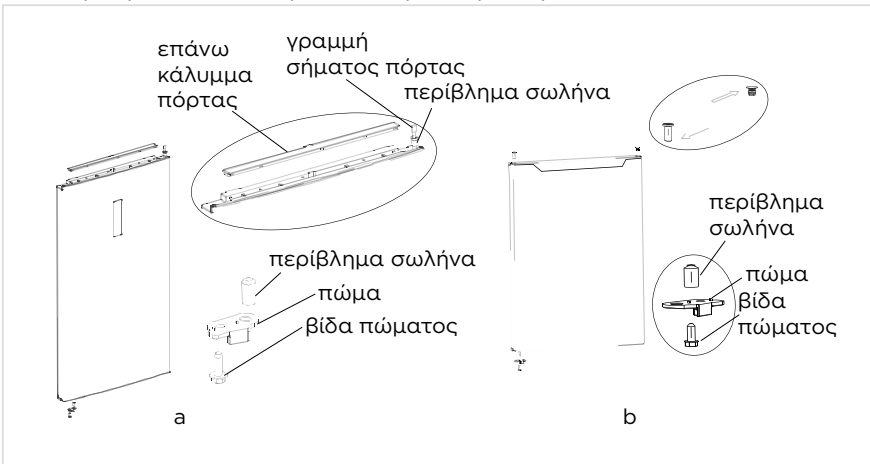
3. Αφαιρέστε την πόρτα του θαλάμου ψύξης καθώς και βιδώστε το βιδωτό κάλυμμα, το αυτοκόλλητο και τον μεσαίο μεντεσέ, το καπάκι της τρύπας .



4. Αφαιρέστε την πόρτα του θαλάμου κατάψυξης, αποσυναρμολογήστε τον κάτω μεντεσέ, τα καπάκια οπών. Τοποθετήστε τον άξονα του κάτω μεντεσέ στην άλλη πλευρά και τοποθετήστε τον κάτω μεντεσέ στην άλλη πλευρά της κάτω δοκού.

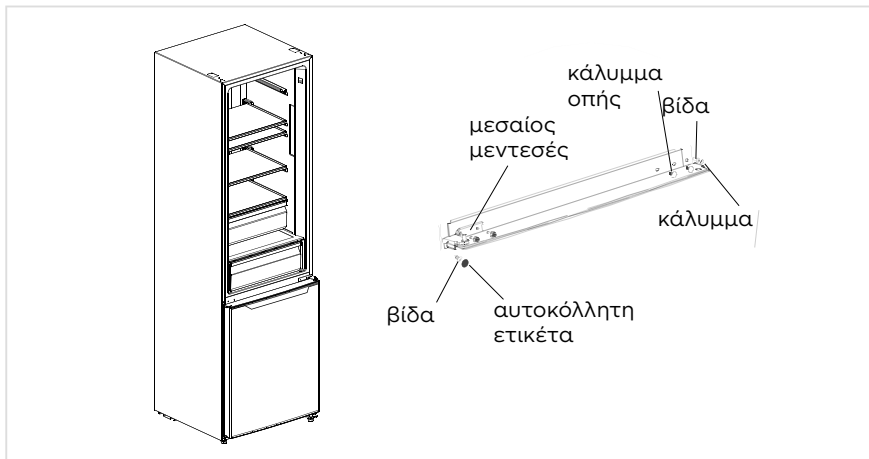


5. α) Αφαιρέστε το επάνω κάλυμμα της πόρτας του θαλάμου ψύξης, τοποθετήστε το χιτώνιο του επάνω μεντεσέ, τη γραμμή σήματος της πόρτας στην άλλη πλευρά και τοποθετήστε το επάνω κάλυμμα της πόρτας. Αποσυναρμολογήστε το πώμα και το χιτωνικό σωλήνα από το δεξιό κάτω μέρος της πόρτας του θαλάμου κατάψυξης, βγάλτε ένα άλλο εφεδρικό πώμα (για αναστρέψιμη πόρτα) και συναρμολογήστε το χιτωνικό σωλήνα και το εφεδρικό πώμα στο αριστερό κάτω μέρος της πόρτας με βίδα τοποθετήστε το επάνω χιτώνιο μεντεσέ, τη γραμμή σήματος πόρτας στην άλλη πλευρά και τοποθετήστε το επάνω κάλυμμα της πόρτας.
- β) Αποσυναρμολογήστε το πώμα και το χιτωνικό σωλήνα από το δεξιό κάτω μέρος της πόρτας του θαλάμου κατάψυξης, βγάλτε ένα άλλο εφεδρικό πώμα (για αναστρέψιμη πόρτα) και συναρμολογήστε το χιτωνικό σωλήνα και το εφεδρικό πώμα στο αριστερό κάτω μέρος της πόρτας με βίδα. Αφαιρέσετε το περίβλημα του σωλήνα και τα καλύμματα οπών στην πόρτα του θαλάμου κατάψυξης και τοποθετήστε το στην άλλη πλευρά.



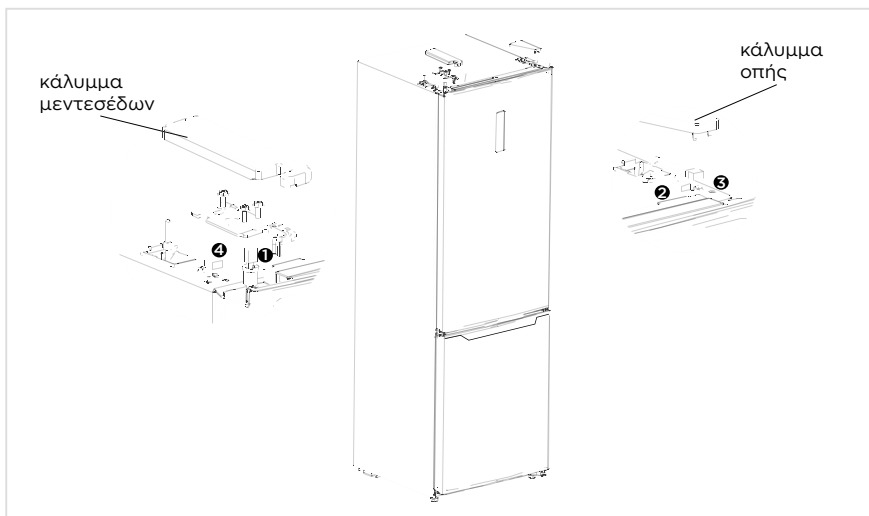


6. Τοποθετήστε την πόρτα κατάψυξης στον κάτω μεντεσέ, τοποθετήστε τον μεσαίο μεντεσέ, τα καπάκια οπών, το βιδωτό κάλυμμα και το αυτοκόλλητο.



7. Βγάλτε τον αριστερό επάνω μεντεσέ, το κάλυμμα του επάνω αριστερού μεντεσέ από τη συσκευασία αξεσουάρ. Τοποθετήστε την πόρτα του ψυγείου στον μεσαίο μεντεσέ, τοποθετήστε τον επάνω μεντεσέ. Συνδέστε τον ακροδέκτη γραμμής σήματος 4 με τον ακροδέκτη γραμμής σήματος 1, συνδέστε τον ακροδέκτη γραμμής σήματος 2 με τον ακροδέκτη γραμμής σήματος 3. Τοποθετήστε το κάλυμμα του επάνω μεντεσέ και το κάλυμμα της οπής.

GR



**ΠΡΟΣΟΧΗ**

Η παραπάνω εικόνα είναι μόνο για αναφορά. Η πραγματική διαμόρφωση θα εξαρτηθεί από το φυσικό προϊόν ή τη δήλωση από τον διανομέα.

## Τοποθέτηση

- Πριν από τη χρήση, αφαιρέστε όλα τα υλικά συσκευασίας, συμπεριλαμβανομένων των μαξιλαριών στο κάτω μέρος, των μαξιλαριών αφρού και των ταινιών στο εσωτερικό του ψυγείου. κόψτε την προστατευτική μεμβράνη στις πόρτες και το σώμα του ψυγείου.
- Κρατήστε το μακριά από θερμότητα και αποφύγετε το άμεσο ηλιακό φως. Μην τοποθετείτε τον καταψύκτη σε υγρά ή υγρά μέρη για να αποφύγετε τη σκουριά ή τη μείωση της μονωτικής επίδρασης.
- Μην ψεκάζετε και μην πλένετε το ψυγείο. Μην τοποθετείτε το ψυγείο σε υγρά μέρη που είναι εύκολο να πιτσιλιστεί με νερό, ώστε να μην επηρεαστούν οι ηλεκτρικές ιδιότητες μόνωσης του ψυγείου.
- Το ψυγείο τοποθετείται σε καλά αεριζόμενο εσωτερικό χώρο. το έδαφος πρέπει να είναι επίπεδο και στιβαρό (περιστρέψτε αριστερά ή δεξιά για να ρυθμίσετε τον τροχό για ισοπέδωση εάν είναι ασταθής).



## Ευθυγράμμιση ποδιών

Για την αποφυγή κραδασμών, η μονάδα πρέπει να είναι επίπεδη.

Εάν απαιτείται, ρυθμίστε τις βίδες ισοστάθμισης για να αντισταθμίσετε τις ανωμαλίες του δαπέδου.

Το μπροστινό μέρος πρέπει να είναι ελαφρώς ψηλότερο από το πίσω μέρος για να διευκολύνεται το κλείσιμο της πόρτας.

Οι βίδες ισοστάθμισης μπορούν να περιστραφούν εύκολα με ελαφρά κλίση του ντουλαπιού.

Γυρίστε τις βίδες ισοστάθμισης αριστερόστροφα  για να ανυψώσετε τη μονάδα, δεξιόστροφα  για να τη χαμηλώσετε.

## Μετακίνηση της συσκευής

1. Αφαιρέστε όλα τα τρόφιμα από το εσωτερικό της συσκευής.
2. Τραβήξτε το φικ ρεύματος, τοποθετήστε το και στερεώστε το στο γάντζο του φικ ρεύματος στο πίσω μέρος ή στο επάνω μέρος της συσκευής.
3. Κολλήστε με ταινία μέρη όπως τα ράφια και το χερούλι της πόρτας για να μην πέσουν κατά τη μετακίνηση της συσκευής.
4. Μετακινήστε τη συσκευή με περισσότερα από δύο άτομα προσεκτικά. Όταν μεταφέρετε τη συσκευή σε μεγάλη απόσταση, κρατήστε τη συσκευή σε όρθια θέση.
5. Αφού εγκαταστήσετε τη συσκευή, συνδέστε το φικ ρεύματος σε μια πρίζα για να ενεργοποιήσετε τη συσκευή.

### ΠΡΟΣΟΧΗ

Προφυλάξτε πριν από τη λειτουργία:

Πριν κάνετε αλλαγές, το ψυγείο πρέπει να αποσυνδεθεί από το ρεύμα. πρέπει να λαμβάνονται προφυλάξεις για την αποφυγή οποιουδήποτε προσωπικού τραυματισμού.

## Αλλαγή της λάμπας

- Οποιαδήποτε αντικατάσταση ή συντήρηση των λαμπτήρων LED προορίζεται να γίνει από τον κατασκευαστή, τον αντιπρόσωπο σέρβις ή παρόμοιο εξειδικευμένο άτομο. Αυτό το προϊόν περιέχει πηγή φωτός κατηγορίας ενεργειακής απόδοσης.

### Βήμα

1. Παρακαλούμε βγάλτε το φις από την πρίζα πριν την αφαίρεση.
2. Αφαιρέστε το κάλυμμα του φωτιστικού με ένα κατσαβίδι.



3. Κατεβάστε το πάνελ του λαμπτήρα.
4. Αφαιρέστε τον ακροδέκτη σύνδεσης.



## Σύνδεση της συσκευής

Πριν από την αρχική έναρξη, κρατήστε το ψυγείο ακίνητο για μισή ώρα πριν το συνδέσετε στο τροφοδοτικό.

### ΠΡΟΣΟΧΗ

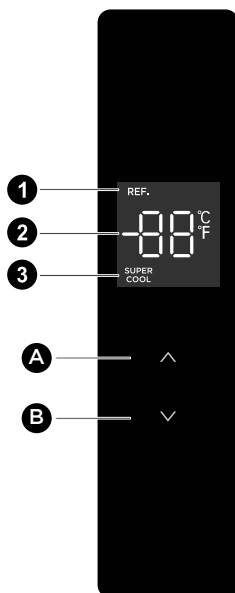
Πριν τοποθετήσετε φρέσκα ή κατεψυγμένα τρόφιμα, το ψυγείο πρέπει να λειτουργεί για 2-3 ώρες ή για πάνω από 4 ώρες το καλοκαίρι, όταν η θερμοκρασία περιβάλλοντος είναι υψηλή.

## Συμβουλές για εξοικονόμηση ενέργειας

- Η συσκευή πρέπει να βρίσκεται στην πιο δροσερή περιοχή του δωματίου, μακριά από συσκευές που παράγουν θερμότητα ή αγωγούς θέρμανσης και μακριά από το άμεσο ηλιακό φως.
- Αφήστε τα ζεστά φαγητά να κρυώσουν σε θερμοκρασία δωματίου πριν τα τοποθετήσετε στη συσκευή. Η υπερφόρτωση του συνδέσμου της εφαρμογής αναγκάζει τον συμπιεστή να απομακρυνθεί περισσότερο. Τα τρόφιμα που παγώνουν πολύ αργά μπορεί να χάσουν την ποιότητα ή να χαλάσουν.
- Φροντίστε να τυλίγετε τα τρόφιμα σωστά και να σκουπίζετε τα δοχεία πριν τα τοποθετήσετε στη συσκευή. Αυτό μειώνει τη συγκέντρωση παγετού στο εσωτερικό της συσκευής.
- Ο κάδος αποθήκευσης της συσκευής δεν πρέπει να καλύπτεται με αλουμινοχαρτο, χαρτί κεριού ή χαρτοπετσέτα. Οι επενδύσεις παρεμποδίζουν την κυκλοφορία ψυχρού αέρα, καθιστώντας τη συσκευή λιγότερο αποτελεσματική.
- Οργανώστε και προσθέστε ετικέτες στα τρόφιμα για να μειώσετε τα ανοίγματα των θυρών και τις εκτεταμένες αναζητήσεις. Αφαιρέστε όσα στοιχεία χρειάζεστε ταυτόχρονα και κλείστε την πόρτα το συντομότερο δυνατόν.

# ΟΔΗΓΙΕΣ ΛΕΙΤΟΥΡΓΙΑΣ

## Πίνακας ελέγχου



GR

### ΠΡΟΣΟΧΗ

Η παραπάνω εικόνα είναι μόνο για αναφορά. Η πραγματική διαμόρφωση θα εξαρτηθεί από το φυσικό προϊόν ή τη δήλωση από τον διανομέα.

### Κουμπί Setting (Ρύθμισης)

- |          |   |
|----------|---|
| <b>A</b> | Κουμπί Temperature up (Αύξησης θερμοκρασίας)  |
| <b>B</b> | Κουμπί Temperature down (Μείωση θερμοκρασίας) |

### Εμφάνιση οθόνης

- |          |  |
|----------|--|
| <b>1</b> | Εικονίδιο Refrigerating (Ψύξη)                           |
| <b>2</b> | Εικονίδιο Temperature display (Απεικόνισης θερμοκρασίας) |
| <b>3</b> | Εικονίδιο Super freezing (Σούπερ κατάψυξη)               |

## Οθόνη

- Όταν ενεργοποιήσετε το ψυγείο για 1η φορά, ολόκληρος ο πίνακας προβολής θα φωτίζει για 3 δευτερόλεπτα. Στη συνέχεια, ο πίνακας προβολής εισέρχεται στην κανονική οθόνη. Η φωτεινή ένδειξη ανοιχτής πόρτας είναι αναμμένη. Όταν η πόρτα κλείνει, το φως της οθόνης σβήνει. Την πρώτη φορά που χρησιμοποιείτε το ψυγείο, η προεπιλεγμένη θερμοκρασία του θαλάμου ψύξης είναι 5°C.
- Όταν παρουσιαστεί το σφάλμα, ο πίνακας οθόνης εμφανίζει τον κωδικό σφάλματος. Διαφορετικά, η οθόνη εμφανίζει τη ρυθμισμένη θερμοκρασία.

## Ρύθμιση θερμοκρασίας

- Πατήστε το κουμπί αύξησης της θερμοκρασίας «Λ» για να ρυθμίσετε τη θερμοκρασία, με κάθε κλικ του κουμπιού αύξησης της θερμοκρασίας «Λ», η ρυθμισμένη θερμοκρασία θα αυξάνεται κατά 1°C. Πατήστε το κουμπί μείωσης θερμοκρασίας «V» για να ρυθμίσετε τη θερμοκρασία, κάθε κλικ του κουμπιού μείωσης θερμοκρασίας «V», η ρυθμισμένη θερμοκρασία θα μειωθεί κατά 1°C. Το εύρος ρύθμισης θερμοκρασίας του θαλάμου ψύξης είναι 2-8°C. Όταν η θερμοκρασία ρυθμιστεί στην οριακή τιμή, το ψυγείο θα ηχήσει συναγερμό εάν το κουμπί αύξησης θερμοκρασίας «Λ» ή το κουμπί αύξησης θερμοκρασίας «V» έχουν ακόμα πατηθεί.

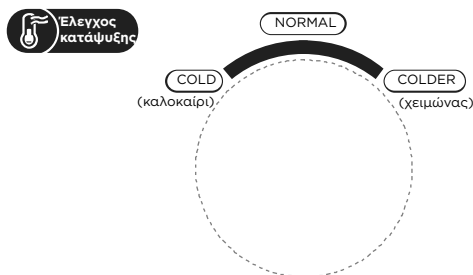
## Ρυθμίστε τη λειτουργία

- Ρυθμίστε τη Super cooling mode (Λειτουργία σούπερ ψύξης): αφού ρυθμιστεί η θερμοκρασία του χώρου ψύξης στους 2°C, πατήστε το κουμπί μείωσης θερμοκρασίας «V» για να εισέλθετε στη λειτουργία σούπερ ψύξης. Στη λειτουργία σούπερ ψύξης, η θερμοκρασία του ψυκτικού θαλάμου ρυθμίζεται αυτόματα στους 2°C.
- Έξοδος από τη λειτουργία σούπερ ψύξης: πατήστε το κουμπί αύξησης θερμοκρασίας «Λ» για έξοδο από τη λειτουργία σούπερ ψύξης ή αυτόματη έξοδος από τη λειτουργία υπερψύξης μετά από 6 ώρες. Μετά την έξοδο από τη λειτουργία σούπερ ψύξης, η θερμοκρασία του ψυγείου θα επανέλθει αυτόματα στη θερμοκρασία που είχε ρυθμιστεί πριν από τη λειτουργία σούπερ ψύξης.

## Έλεγχος συναγερμού ανοίγματος

- Εάν η πόρτα δεν κλείσει σε δύο λεπτά, ο βομβητής θα ηχήσει μέχρι να κλείσει η πόρτα. Πατήστε οποιοδήποτε κουμπί για να σταματήσετε το συναγερμό βομβητή.

## Η ρύθμιση θερμοκρασίας μπορεί να εξέλθει από τη λειτουργία ταχείας ψύξης



## Έλεγχος θερμοκρασίας του θαλάμου ψύξης

- Η θερμοκρασία κατάψυξης είναι σχετικά χαμηλή στη θέση «COLDER (ΠΙΟ ΚΡΥΟ)», ενώ η θερμοκρασία κατάψυξης είναι σχετικά υψηλή στη θέση «COLD (ΚΡΥΟ)», επομένως χρησιμοποιείται γενικά η θέση «NORMAL (ΚΑΝΟΝΙΚΟΣ)».
- Όταν η θερμοκρασία περιβάλλοντος είναι υψηλή το καλοκαίρι, η θερμοκρασία πρέπει να είναι στην περιοχή από «NORMAL (ΚΑΝΟΝΙΚΟΣ)» έως «COLD (ΚΡΥΟ)». Εάν η θερμοκρασία περιβάλλοντος είναι πάνω από 35°C, τότε θα υπερισχύει η θέση «COLD (ΚΡΥΟ)».
- Όταν η θερμοκρασία περιβάλλοντος είναι χαμηλή το χειμώνα, η θερμοκρασία πρέπει να είναι στην περιοχή από «NORMAL (ΚΑΝΟΝΙΚΟΣ)» έως «COLDER (ΠΙΟ ΚΡΥΟ)». Εάν η θερμοκρασία περιβάλλοντος είναι κάτω από 10°C, τότε θα υπερισχύει η θέση «COLDER (ΠΙΟ ΚΡΥΟ)».

## Προειδοποίηση ανοίγματος και συναγερού

- Όταν ανοίξετε την πόρτα του ψυγείου, θα ακούγεται μουσική με την ανοιχτή πόρτα. Εάν η πόρτα δεν κλείσει σε δύο λεπτά, ο βομβητής θα συνεχίσει να χτυπά μέχρι να κλείσει η πόρτα. Πατήστε οποιοδήποτε κουμπί για να σταματήσετε το συναγερό βομβητή.

GR

## Ένδειξη σφάλματος

- Οι ακόλουθες προειδοποιήσεις που εμφανίζονται στην οθόνη υποδεικνύουν αντίστοιχες βλάβες του ψυγείου.
- Αν και το ψυγείο μπορεί να εξακολουθεί να έχει λειτουργία αποθήκευσης ψύξης με τα ακόλουθα σφάλματα, ο χρήστης πρέπει να επικοινωνήσει με έναν ειδικό συντήρησης για συντήρηση, ώστε να διασφαλιστεί η βελτιστοποιημένη λειτουργία της συσκευής.

Κωδικός Σφάλματος	Περιγραφή Σφάλματος
E1	Βλάβη αισθητήρα θερμοκρασίας του θαλάμου συντήρησης
E2	Βλάβη αισθητήρα θερμοκρασίας του θαλάμου κατάψυξης
E3	Αστοχία αισθητήρα θερμοκρασίας στο συρτάρι ψύξης
E5	Βλάβη κύκλου ανίχνευσης αισθητήρα απόψυξης
E6	Σφάλμα επικοινωνίας
E7	Σφάλμα αισθητήρα θερμοκρασίας περιβάλλοντος

## Θάλαμος ψύξης

- Ο Ψυκτικός Θάλαμος είναι κατάλληλος για αποθήκευση ποικιλίας φρούτων, λαχανικών, ποτών και άλλων τροφίμων που καταναλώνονται βραχυπρόθεσμα, προτεινόμενος χρόνος αποθήκευσης 3 ημέρες έως 5 ημέρες.
- Τα μαγειρικά τρόφιμα δεν πρέπει να τοποθετούνται στον θάλαμο ψύξης έως ότου κρυσώσουν σε θερμοκρασία δωματίου.
- Τα τρόφιμα συνιστάται να σφραγίζονται πριν τα βάλετε στο ψυγείο.
- Τα γυάλινα ράφια μπορούν να ρυθμιστούν προς τα πάνω ή προς τα κάτω για λογικό χώρο αποθήκευσης και εύκολη χρήση.

## Θάλαμος κατάψυξης

- Ο θάλαμος κατάψυξης χαμηλής θερμοκρασίας μπορεί να διατηρεί τα τρόφιμα φρέσκα για μεγάλο χρονικό διάστημα και χρησιμοποιείται κυρίως για την αποθήκευση κατεψυγμένων τροφίμων και την παρασκευή πάγου.
- Ο θάλαμος κατάψυξης είναι κατάλληλος για αποθήκευση κρέατος, ψαριού, μπάλες ρυζιού και άλλων τροφίμων που δεν πρέπει να καταναλωθούν βραχυπρόθεσμα.
- Τα κομμάτια κρέατος κατά προτίμηση χωρίζονται σε μικρά κομμάτια για γρήγορη κατάψυξη και εύκολη πρόσβαση. Σημειώστε ότι τα τρόφιμα καταναλώνονται στο χρόνο αποθήκευσης.

GR

## Συρτάρι ψύξης

- Κατάλληλο για βραχυπρόθεσμη αποθήκευση (1-3 ημέρες) για κατανάλωση φρέσκου ψαριού, φρέσκου κρέατος, φρέσκων τροφίμων κ.λπ.
- Κοντά στο πίσω μέρος και στο κάτω μέρος του συρταριού, τα τρόφιμα μπορεί να είναι κατεψυγμένα, τα τρόφιμα που δεν πρέπει να καταψυχθούν δεν μπορούν να τοποθετηθούν μέσα.
- Προτείνεται η ταξινόμηση τροφίμων και η συσκευασία σφράγισης.

### ΠΡΟΣΟΧΗ

Σημείωση: Η αποθήκευση πάρα πολλών φαγητών κατά τη λειτουργία μετά την αρχική σύνδεση με την ηλεκτρική ενέργεια μπορεί να επηρεάσει δυσμενώς την επίδραση ψύξης του ψυγείου.

Σειριακός αριθμός	ΤΥΠΟΣ διαμερισμάτων	Στοχευμένη θερμοκρασία αποθήκευσης. [°C]	Κατάλληλο φαγητό
1	Ψυγείο	+2 - +8	Τα αυγά, τα μαγειρεμένα τρόφιμα, τα συσκευασμένα τρόφιμα, τα φρούτα και τα λαχανικά, τα γαλακτοκομικά προϊόντα, τα κέικ, τα ποτά και άλλα τρόφιμα δεν είναι κατάλληλα για κατάψυξη.
2	(***)* -Καταψύκτης	≤-18	Θαλασσινά (ψάρια, γαρίδες, οστρακοειδή), υδρόβια προϊόντα γλυκού νερού και προϊόντα κρέατος (συνιστάται για 3 μήνες, όσο μεγαλύτερος είναι ο χρόνος αποθήκευσης, τόσο χειρότερη είναι η γεύση και η διατροφή), κατάλληλο για κατεψυγμένα νωπά τρόφιμα.
3	*** -Καταψύκτης	≤-18	Θαλασσινά (ψάρια, γαρίδες, οστρακοειδή), υδρόβια προϊόντα γλυκού νερού και προϊόντα κρέατος (συνιστάται για 3 μήνες, όσο μεγαλύτερος είναι ο χρόνος αποθήκευσης, τόσο χειρότερη είναι η γεύση και η διατροφή), κατάλληλο για κατεψυγμένα νωπά τρόφιμα.
4	** -Καταψύκτης	≤-12	Θαλασσινά (ψάρια, γαρίδες, οστρακοειδή), υδρόβια προϊόντα γλυκού νερού και προϊόντα κρέατος (συνιστάται για 3 μήνες, όσο μεγαλύτερος είναι ο χρόνος αποθήκευσης, τόσο χειρότερη είναι η γεύση και η διατροφή), κατάλληλο για κατεψυγμένα νωπά τρόφιμα.
5	* -Καταψύκτης	≤-6	Θαλασσινά (ψάρια, γαρίδες, οστρακοειδή), υδρόβια προϊόντα γλυκού νερού και προϊόντα κρέατος (συνιστάται για 3 μήνες, όσο μεγαλύτερος είναι ο χρόνος αποθήκευσης, τόσο χειρότερη είναι η γεύση και η διατροφή), κατάλληλο για κατεψυγμένα νωπά τρόφιμα.
6	0 αστέρων	6 - 0	Φρέσκο χοιρινό, μοσχάρι, κρέας, ψάρι, κοτόπουλο, ορισμένα συσκευασμένα επεξεργασμένα τρόφιμα κ.λπ. (Συνιστάται να καταναλώνονται εντός της ίδιας ημέρας, κατά προτίμηση όχι περισσότερο από 3 ημέρες). Μερικώς ενθυλακωμένα επεξεργασμένα τρόφιμα (μη καταψυκτικά τρόφιμα).
7	Ψυχρό	-2 - +3	Φρέσκο/κατεψυγμένο χοιρινό, μοσχάρι, κρέας, κοτόπουλο, υδρόβια προϊόντα γλυκού νερού κ.λπ. (7 ημέρες κάτω από 0°C και πάνω από 0°C συνιστάται η κατανάλωση εντός της ημέρας, κατά προτίμηση όχι περισσότερο από 2 ημέρες). Θαλασσινά (λιγότερο από 0 για 15 ημέρες, δεν συνιστάται η αποθήκευση πάνω από 0°C).
8	Φρέσκα τρόφιμα	0 - +4	Φρέσκο χοιρινό, μοσχάρι, ψάρι, κοτόπουλο, μαγειρεμένο φαγητό κ.λπ. (Συνιστάται να καταναλώνεται εντός της ίδιας ημέρας, κατά προτίμηση όχι περισσότερο από 3 ημέρες)
9	Κρασί	+5 -+20	Κόκκινο κρασί, λευκό κρασί, αφρώδες κρασί κ.λπ.

#### ΠΡΟΣΟΧΗ:

παρακαλούμε αποθηκεύστε διαφορετικά τρόφιμα ανάλογα με τα διαμερίσματα ή τη θερμοκρασία-στόχο αποθήκευσης του προϊόντος που αγοράσατε.



# ΚΑΘΑΡΙΣΜΟΣ ΚΑΙ ΣΥΝΤΗΡΗΣΗ

## Συνολικός καθαρισμός

- Οι σκόνες πίσω από το ψυγείο και στο έδαφος πρέπει να καθαρίζονται έγκαιρα για να βελτιωθεί το αποτέλεσμα ψύξης και η εξοικονόμηση ενέργειας.
- Ελέγχετε τακτικά τη φλάντζα της πόρτας για να βεβαιωθείτε ότι δεν υπάρχουν υπολείμματα. Καθαρίστε τη φλάντζα της πόρτας με ένα μαλακό πανί, διαβρεγμένο με σαπουνό νερό ή με αραιωμένο απορρυπαντικό.
- Το εσωτερικό του ψυγείου πρέπει να καθαρίζεται τακτικά για να αποφευχθεί η μυρωδιά.
- Κλείστε το ρεύμα πριν καθαρίσετε το εσωτερικό, αφαιρέστε όλα τα τρόφιμα, τα ποτά, τα ράφια, τα συρτάρια κ.λπ.
- Χρησιμοποιήστε ένα μαλακό πανί ή σφουγγάρι για να καθαρίσετε το εσωτερικό του ψυγείου, με δύο κουταλιές της σούπας μαγειρική σόδα και ένα λίτρο ζεστό νερό. Κατόπιν ξεπλύνετε με νερό και καθαρίστε. Μετά τον καθαρισμό, ανοίξτε την πόρτα και αφήστε την να στεγνώσει φυσικά πριν ενεργοποιήσετε την τροφοδοσία.
- Για χώρους που καθαρίζονται δύσκολα στο ψυγείο (όπως στενά περάσματα, κενά ή γωνίες), συνιστάται να τα σκουπίζετε τακτικά με ένα μαλακό πανί, μαλακή βούρτσά κ.λπ. και όταν χρειάζεται, σε συνδυασμό με κάποια βιοθητικά εργαλεία (όπως λεπτά ραβδιά) για να διασφαλιστεί ότι δεν συσσωρεύονται ρύποι ή βακτήρια σε αυτές τις περιοχές.
- Μη χρησιμοποιείτε σαπούνι, απορρυπαντικό, σκόνη απολέπισης, καθαριστικό σπρέι κ.λπ., καθώς μπορεί να προκαλέσουν οσμές στο εσωτερικό του ψυγείου ή μολυσμένα τρόφιμα.
- Καθαρίστε το πλαίσιο, τα ράφια και τα συρτάρια του μπουκαλιού με ένα μαλακό πανί εμποτισμένο με σαπουνό νερό ή αραιωμένο απορρυπαντικό. Στεγνώστε με ένα μαλακό πανί ή στεγνώστε φυσικά.
- Σκουπίστε την εξωτερική επιφάνεια του ψυγείου με ένα μαλακό πανί βρεγμένο με σαπουνό νερό, απορρυπαντικό κ.λπ. και μετά σκουπίστε το.
- Μη χρησιμοποιείτε σκληρές βούρτσες, καθαρές μπάλες από χάλυβα, συρμάτινες βούρτσες, λειαντικά (όπως οδοντόκρεμες), οργανικούς διαλύτες (όπως οινόπνευμα, ακετόνη, λάδι μπανάνας κ.λπ.), βραστό νερό, όξινα ή αλκαλικά αντικείμενα, που μπορεί να καταστρέψουν την επιφάνεια και εσωτερικό του ψυγείου. Το βραστό νερό και οι οργανικοί διαλύτες όπως το βενζόλιο μπορεί να παραμορφώσουν ή να βλάψουν τα πλαστικά μέρη.
- Μην ξεπλένετε απευθείας με νερό ή άλλα υγρά κατά τον καθαρισμό για να αποφύγετε βραχυκυκλώματα ή να επηρεάσετε την ηλεκτρική μόνωση μετά τη βύθιση.



### ΠΡΟΣΟΧΗ

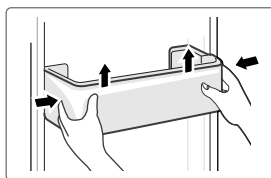
Αποσυνδέστε το ψυγείο από την πρίζα για απόψυξη και καθαρισμό.

## Απόψυξη

- Το ψυγείο είναι κατασκευασμένο με βάση την αρχή της ψύξης αέρα και έτσι έχει λειτουργία αυτόματης απόψυξης. Ο παγετός που σχηματίζεται λόγω αλλαγής της εποχής ή της θερμοκρασίας μπορεί επίσης να αφαιρεθεί με το χέρι αποσυνδέοντας τη συσκευή από την τροφοδοσία ρεύματος ή σκουπίζοντας με μια στεγνή πετσέτα.

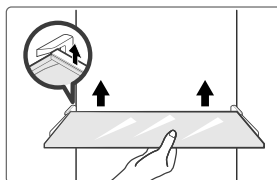
## Καθαρισμός του δίσκου πόρτας

- Σύμφωνα με το βέλος κατεύθυνσης στην παρακάτω εικόνα, χρησιμοποιήστε και τα δύο χέρια για να πιέσετε το δίσκο και σπρώξτε τον προς τα πάνω και μετά μπορείτε να τον βγάλετε.
- Αφού πλύνετε το δίσκο, μπορείτε να ρυθμίσετε το ύψος τοποθέτησής του σύμφωνα με τις απαιτήσεις σας.



## Καθαρισμός του δίσκου πόρτας

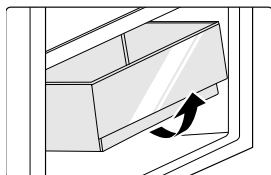
- Καθώς το εσωτερικό μέρος της επένδυσης του ψυγείου όπου έρχεται σε επαφή με τα ράφια έχει πίσω στοπ, θα πρέπει να σηκώσετε τα ράφια προς τα πάνω και, στη συνέχεια, να μπορείτε να τα βγάλετε.
- Προσαρμόστε ή καθαρίστε τα ράφια σύμφωνα με τις απαιτήσεις σας.



GR

## Καθαρισμός του συρταριού λαχανικών

1. Αφαιρέστε το περιεχόμενο του συρταριού. Κρατήστε τη λαβή του συρταριού λαχανικών και τραβήξτε το εντελώς προς τα έξω μέχρι να σταματήσει.
2. Σηκώστε το συρτάρι λαχανικών προς τα πάνω και αφαιρέστε το τραβώντας το προς τα έξω.



## Εκτός λειτουργίας

### Διακοπή ρεύματος:

Σε περίπτωση διακοπής ρεύματος, ακόμα κι αν είναι το καλοκαίρι, τα τρόφιμα μέσα στη συσκευή μπορούν να διατηρηθούν για αρκετές ώρες, κατά τη διάρκεια της διακοπής ρεύματος, οι χρόνοι ανοίγματος της πόρτας πρέπει να μειωθούν και να μην τοποθετηθούν φρέσκα τρόφιμα στη συσκευή.

### Μακρόχρονη μη χρήση:

Η συσκευή αποσυνδέεται και στη συνέχεια καθαρίζεται. τότε οι πόρτες παραμένουν ανοικτές για να αποτρέψουν την οσμή.

### Κίνηση:

Πριν μετακινήσετε το ψυγείο, βγάλτε όλα τα αντικείμενα προς τα έξω, στερεώστε τα τοίχωμα γυαλιού, τη θήκη λαχανικών, τα συρτάρια θαλάμου κατάψυξης κλπ. Με ταινία και σφίξτε τα πόδια οριζοντίωσης, κλείστε τις πόρτες και στερεώστε τις με ταινία. Κατά τη μετακίνηση, η συσκευή δεν πρέπει να τοποθετείται ανάποδα ή οριζόντια ή να δονείται. η κλίση κατά τη διάρκεια της κίνησης δεν πρέπει να υπερβαίνει τους 45 °.

### ΠΡΟΣΟΧΗ:

Η συσκευή πρέπει να λειτουργεί συνεχώς μόλις ξεκινήσει. Γενικά, η λειτουργία της συσκευής δεν πρέπει να διακόπτεται. Διαφορετικά, η διάρκεια ζωής μπορεί να μειωθεί.

# ΑΝΤΙΜΕΤΩΠΙΣΗ ΠΡΟΒΛΗΜΑΤΩΝ

Ο χρήστης μπορεί να χειριστεί τα ακόλουθα απλά ζητήματα. Παρακαλούμε καλέστε το τμήμα εξυπηρέτησης μετά την πώληση εάν τα προβλήματα δεν επιλυθούν.

Πρόβλημα	Πιθανός λόγος
Αποτυχημένη λειτουργία	• Ελέγξτε εάν η συσκευή είναι συνδεδεμένη στο ρεύμα ή εάν το φις είναι σε καλή επαφή
	• Ελέγξτε αν η τάση είναι πολύ χαμηλή
	• Ελέγξτε εάν υπάρχει διακοπή ρεύματος ή αν έχουν διακοπεί μερικά κυκλώματα
Μυρωδιά	• Τα τρόφιμα με οσμές πρέπει να τυλίγονται σφιχτά
	• Ελέγξτε εάν υπάρχει κάποιο σάπιο φαγητό
	• Καθαρίστε το εσωτερικό του ψυγείου
Μακροχρόνια λειτουργία του συμπιεστή	• Η μακροχρόνια λειτουργία του ψυγείου είναι φυσιολογική το καλοκαίρι όταν η θερμοκρασία περιβάλλοντος είναι υψηλή
	• Δεν ενδείκνυται να έχετε ταυτόχρονα πάρα πολύ φαγητό στη συσκευή
	• Τα τρόφιμα πρέπει να κρυώσουν πριν τοποθετηθούν στη συσκευή
	• Οι πόρτες ανοίγουν πολύ συχνά
Το φως δεν ανάβει	• Ελέγξτε εάν το ψυγείο είναι συνδεδεμένο στην παροχή ρεύματος και εάν το φωτιστικό είναι κατεστραμμένο
	• Αντικαταστήστε το φως από ειδικό
Η πόρτα δεν μπορεί να κλείσει σωστά	• Η πόρτα έχει κολλήσει από συσκευασίες τροφίμων
	• Το ψυγείο έχει κλίση.
Δυνατός θόρυβος	• Ελέγξτε αν το δάπεδο είναι επίπεδο και αν το ψυγείο είναι σταθερά τοποθετημένο
	• Ελέγξτε εάν τα αξεσουάρ έχουν τοποθετηθεί σε κατάλληλες θέσεις

GR

Πρόβλημα	Πιθανός λόγος
<p>Η σφράγιση της πόρτας δεν είναι σφικμένη</p>	<ul style="list-style-type: none"> <li>• Αφαιρέστε τα ξένα σώματα από τη τσιμούχα της πόρτας</li> <li>• Θερμάνετε το λάστιχο της πόρτας και μετά ψύξτε το για αποκατάσταση (ή φυσήξτε το με ηλεκτρικό στεγνωτήριο ή χρησιμοποιήστε μια ζεστή πετσέτα για θέρμανση)</li> </ul>
<p>Το δοχείο νερού υπερχειλίζει</p>	<ul style="list-style-type: none"> <li>• Υπάρχουν πάρα πολλά τρόφιμα στο θάλαμο ή τα τρόφιμα που αποθηκεύονται περιέχουν πάρα πολύ νερό, με αποτέλεσμα την έντονη απόψυξη</li> <li>• Οι πόρτες δεν κλείνουν σωστά, με αποτέλεσμα να παγώνει λόγω εισόδου αέρα και να αυξάνεται το νερό λόγω απόψυξης</li> </ul>
<p>Θερμή στέγαση</p>	<ul style="list-style-type: none"> <li>• Απαγωγή θερμότητας του ενσωματωμένου συμπυκνωτή μέσω του περιβλήματος, κάτι που είναι φυσιολογικό. Όταν το περίβλημα ζεσταίνεται λόγω υψηλής θερμοκρασίας περιβάλλοντος, η αποθήκευση πολλών τροφών ή η απενεργοποίηση του συμπιεστή διακόπτεται, παρέχετε ηχητικό αερισμό για να διευκολύνετε τη διάχυση της θερμότητας</li> </ul>
<p>Συμπύκνωση επιφάνειας</p>	<ul style="list-style-type: none"> <li>• Η συμπύκνωση στην εξωτερική επιφάνεια και στις τσιμούχες της πόρτας του ψυγείου είναι φυσιολογική όταν η υγρασία του περιβάλλοντος είναι πολύ υψηλή. Απλά σκουπίστε το συμπύκνωμα με καθαρή πετσέτα.</li> </ul>
<p>Ασυνήθιστος θόρυβος</p>	<ul style="list-style-type: none"> <li>• Θόρυβος: Ο συμπιεστής μπορεί να παράγει buzzes κατά τη λειτουργία, και τα buzzes είναι δυνατά ιδιαίτερα κατά την εκκίνηση ή τη διακοπή. Αυτό είναι φυσιολογικό.</li> <li>• Τρίξιμο: Το ψυκτικό που ρέει μέσα στη συσκευή μπορεί να προκαλέσει σκασίματα, κάτι που είναι φυσιολογικό.</li> </ul>

GR

# ΠΑΡΑΡΤΗΜΑ

## Ειδικά για νέες Ευρωπαϊκές προδιαγραφές.

Τα παραγγελθέντα μέρη στον ακόλουθο πίνακα μπορούν να αποκτηθούν από το κανάλι του παρόχου υπηρεσιών

Παραγγεληθεί μέρος	Προμηθευθέν από	Ελάχιστος χρόνος που απαιτείται για την προμήθεια
Θερμοστάτες	Επαγγελματικό προσωπικό συντήρησης	Τουλάχιστον 7 έτη αφού το τελευταίο μοντέλο προβλήθηκε στην αγορά
Αισθητήρα θερμοκρασίας	Επαγγελματικό προσωπικό συντήρησης	Τουλάχιστον 7 έτη αφού το τελευταίο μοντέλο προβλήθηκε στην αγορά
Πλακέτες τυπωμένων κυκλωμάτων	Επαγγελματικό προσωπικό συντήρησης	Τουλάχιστον 7 έτη αφού το τελευταίο μοντέλο προβλήθηκε στην αγορά
Πηγές φωτός	Επαγγελματικό προσωπικό συντήρησης	Τουλάχιστον 7 έτη αφού το τελευταίο μοντέλο προβλήθηκε στην αγορά
Χειρολαβή πόρτας	Επαγγελματίες ή επισκευαστές και τελικοί χρήστες	Τουλάχιστον 7 έτη αφού το τελευταίο μοντέλο προβλήθηκε στην αγορά
Μεντεσέδες πόρτας	Επαγγελματίες ή επισκευαστές και τελικοί χρήστες	Τουλάχιστον 7 έτη αφού το τελευταίο μοντέλο προβλήθηκε στην αγορά
Δίσκοι	Επαγγελματίες ή επισκευαστές και τελικοί χρήστες	Τουλάχιστον 7 έτη αφού το τελευταίο μοντέλο προβλήθηκε στην αγορά
Καλάθια	Επαγγελματίες ή επισκευαστές και τελικοί χρήστες	Τουλάχιστον 7 έτη αφού το τελευταίο μοντέλο προβλήθηκε στην αγορά
Περιβλήματα πόρτας	Επαγγελματίες ή επισκευαστές και τελικοί χρήστες	Τουλάχιστον 10 έτη αφού το τελευταίο μοντέλο προβλήθηκε στην αγορά

## Αγαπητέ καταναλωτή

1. Εάν επιθυμείτε να επιστρέψετε ή να αντικαταστήσετε το προϊόν, επικοινωνήστε με το κατάστημα από όπου το αγοράσατε.

(Θυμηθείτε να φέρετε μαζί σας την απόδειξη πληρωμής)

2. Εάν το προϊόν σας χαλάσει και πρέπει να επισκευαστεί, επικοινωνήστε με τον πάροχο υπηρεσιών μετά την πώληση.

## ΠΡΟΣΟΧΗ

Οι πληροφορίες μοντέλου στη βάση δεδομένων του προϊόντος, καθώς και το αναγνωριστικό μοντέλου, μπορούν να αποκτηθούν μέσω ενός διαδικτυακού συνδέσμου που σαρώνεται από έναν κωδικό QR, εάν υπάρχει, στην ετικέτα ενεργειακής απόδοσης του προϊόντος.

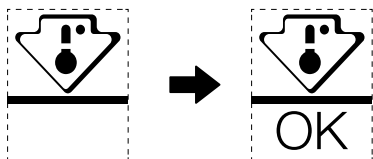
Για περισσότερες πληροφορίες σχετικά με την ενεργειακή απόδοση της συσκευής, επισκεφθείτε τη διεύθυνση <https://ec.europa.eu> και πραγματοποιήστε αναζήτηση χρησιμοποιώντας το όνομα μοντέλου

Η ονομασία του μοντέλου βρίσκεται στην ετικέτα χαρακτηρισμού της συσκευής.

## Η πιο κρύα ζώνη του ψυγείου

### ΠΡΟΑΙΡΕΤΙΚΑ: Ένδειξη θερμοκρασίας OK

- Ο δείκτης θερμοκρασίας OK μπορεί να χρησιμοποιηθεί για τον προσδιορισμό θερμοκρασιών κάτω από +4°C. Μειώστε σταδιακά τη θερμοκρασία εάν η πινακίδα δεν δείχνει «OK».



- Για να διασφαλίσετε τη θερμοκρασία σε αυτήν την περιοχή, μην αλλάζετε τη θέση του ραφιού. Στα ψυγεία με εξαναγκασμένο αέρα (εξοπλισμένα με ανεμιστήρα ή μοντέλα No Frost), το σύμβολο της ψυχρότερης ζώνης δεν απεικονίζεται, επειδή η θερμοκρασία στο εσωτερικό είναι ομοιογενής.

### Ρύθμιση ένδειξης θερμοκρασίας

- Για να σας βοηθήσει να ρυθμίσετε καλά το ψυγείο σας, είναι εξοπλισμένο με ένδειξη θερμοκρασίας που θα παρακολουθεί τη μέση θερμοκρασία στην πιο κρύα ζώνη.
- ΠΡΟΕΙΔΟΠΟΙΗΣΗ: Αυτή η ένδειξη προορίζεται να λειτουργεί μόνο με το ψυγείο σας, μην τη χρησιμοποιείτε σε άλλο ψυγείο (στην πραγματικότητα, η πιο κρύα ζώνη δεν είναι η ίδια) ή για οποιαδήποτε άλλη χρήση.

### Έλεγχος της θερμοκρασίας στην ψυχρότερη ζώνη

- Με την ένδειξη θερμοκρασίας, μπορείτε να ελέγχετε τακτικά ότι η θερμοκρασία της ψυχρότερης ζώνης είναι σωστή. Πράγματι, η εσωτερική θερμοκρασία του ψυγείου εξαρτάται από διάφορους παράγοντες, όπως η θερμοκρασία περιβάλλοντος του χώρου, η ποσότητα των αποθηκευμένων τροφίμων και η συχνότητα ανοίγματος της πόρτας. Λάβετε υπόψη αυτούς τους παράγοντες κατά τη ρύθμιση της συσκευής.
- Όταν η ένδειξη δείχνει «OK», αυτό σημαίνει ότι ο θερμοστάτης σας είναι καλά ρυθμισμένος και η εσωτερική θερμοκρασία σωστή.
- Εάν η ένδειξη θερμοκρασίας γίνει ΛΕΥΚΗ, αυτό σημαίνει ότι η θερμοκρασία είναι πολύ υψηλή. Σε αυτήν την περίπτωση, αυξήστε τη ρύθμιση ελέγχου θερμοκρασίας του ψυγείου και περιμένετε 12 ώρες πριν πραγματοποιήσετε μια νέα οπτική επιθεώρηση της ένδειξης. Όταν έχουν εισαχθεί φρέσκα τρόφιμα ή η πόρτα έχει παραμείνει ανοιχτή, είναι πιθανό η ένδειξη θερμοκρασίας να γίνει ΛΕΥΚΗ μετά από λίγο.

## **LIST Z PODZIĘKOWANIEM**

Dziękujemy za wybranie produktu Midea! Przed użyciem nowego produktu firmy Midea dokładnie zapoznaj się z niniejszą instrukcją, aby mieć pewność, że wiesz, jak bezpiecznie korzystać z funkcji oferowanych przez nowe urządzenie.

# SPIS TREŚCI

<b>LIST Z PODZIĘKOWANIEM</b> -----	01
<b>SPECYFIKACJA</b> -----	02
<b>PRZEGLĄD PRODUKTU</b> -----	03
<b>INSTALACJA PRODUKTU</b> -----	04
<b>INSTRUKCJA OBSŁUGI</b> -----	12
<b>CZYSZCZENIE I KONSERWACJA</b> -----	17
<b>ROZWIĄZYWANIE PROBLEMÓW</b> -----	19
<b>DODATEK</b> -----	21

PL

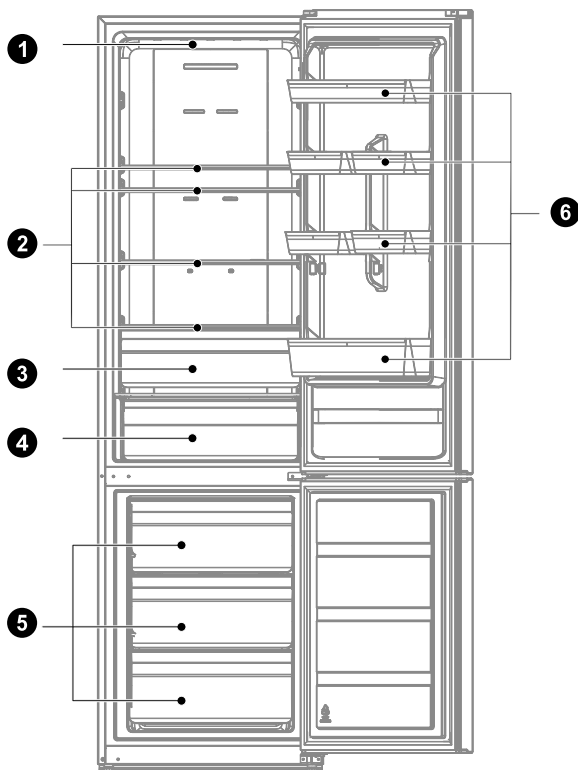
# SPECYFIKACJA

<b>Model produktu</b>	<b>MDRB489FGE</b>
Pojemność komory na żywność świeżą	247L
Pojemność komory na mrożonki	83L
Procedura rozmrażania	Rozmrażanie automatyczne
Czas wzrostu temperatury	8 godz.
Pojemność zamrażarki	4 kg/24 godz.
Napięcie znamionowe/częstotliwość	220-240V~/50Hz
Natężenie znamionowe	0,7 A
Wymiary ogólne (W × S × G)	2010x595x635mm



# PRZEGLĄD PRODUKTU

## Elementy



- |   |                             |   |                                 |
|---|-----------------------------|---|---------------------------------|
| 1 | Oświetlenie LED             | 4 | Szuflada o niskiej temperaturze |
| 2 | Półka                       | 5 | Szuflada                        |
| 3 | Pojemnik na owoce i warzywa | 6 | Balkonik na drzwi               |

### UWAGA

Powyższa ilustracja ma charakter poglądowy. Rzeczywista konfiguracja zależy od modelu bądź zamówienia dystrybutora.

PL

# INSTALACJA PRODUKTU

## Instrukcja instalacji

### Dla urządzeń chłodniczych z oznaczoną klasą klimatyczną

- W zależności od klasy klimatycznej niniejsze urządzenie chłodnicze jest przeznaczone do użytku w zakresach temperatur otoczenia podanych w poniższej tabeli.
- Klasę klimatyczną można znaleźć na tabliczce znamionowej. Produkt może nie działać prawidłowo w temperaturach spoza określonego zakresu.
- Klasę klimatyczną można znaleźć na etykiecie produktu.

### Zakres temperatury efektywnej

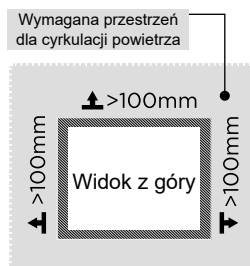
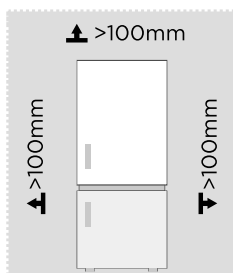
- Produkt został zaprojektowany do pracy w zakresie temperatur określonym przez jej klasę znamionową.

Klasa	Symbol	Zakres temperatury otoczenia (°C)	
		IEC 62552 (ISO 15502)	ISO 8561
Rozszerzona umiarkowana	SN	+10°C do +32°C	+10°C do +32°C
Umiarkowana	N	+16°C do +32°C	+16°C do +32°C
Subtropikalna	ST	+16°C do +38°C	+18°C do +38°C
Tropikalna	T	+16°C do +43°C	+18°C do +43°C

PL

### Wymiary i odstępy

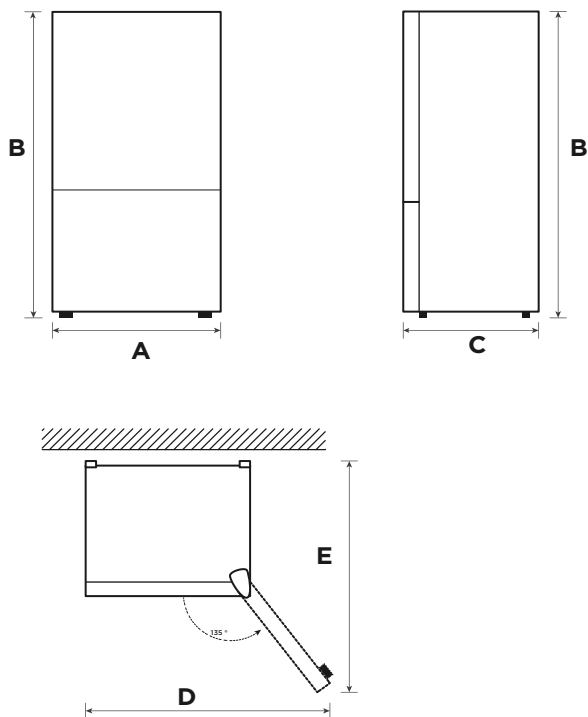
- Zbyt mały odstęp od pobliskich przedmiotów może spowodować obniżenie skuteczności mrożenia i zwiększenie kosztu energii elektrycznej. Podczas instalacji należy zapewnić ponad 100 mm odstępu od ścian wokół urządzenia.



### UWAGA

Powyższa ilustracja ma charakter poglądowy. Rzeczywista konfiguracja zależy od modelu bądź zamówienia dystrybutora.

Schemat ilości wymaganego miejsca (zarówno z zamkniętymi, jak i otwartymi drzwiami)



PL

Szerokość	Wysokość łączna	Głębokość	Szerokość, drzwi otwarte pod kątem 135°	Głębokość, drzwi otwarte pod kątem 135°
A	B	C	D	E
595	2010	635	1016	1186

Uwaga: Wszystkie podane wymiary są wyrażone w mm.

## Zmiana kierunku otwierania drzwi (opcjonalna)

W zależności od miejsca, gdzie lodówka będzie ustawiona, może zajść konieczność zmiany kierunku otwierania drzwi.

### OSTROŻNIE

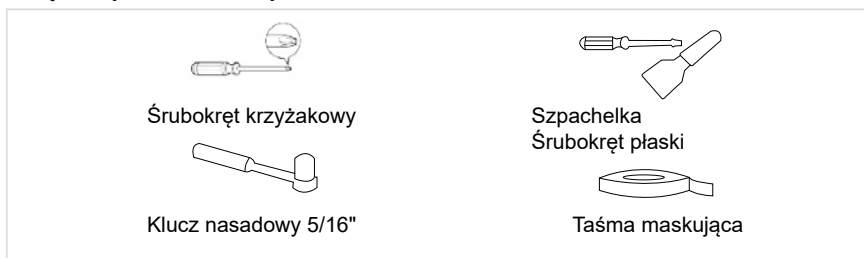
OSTROŻNIE: Aby uniknąć obrażeń ciała lub szkód materialnych, zalecamy zorganizowanie drugiej osoby do pomocy w procedurze zmiany kierunku otwierania drzwi.

Przygotowanie do zmiany kierunku otwierania drzwi

Przygotować: Standardowy wkrętak, wkrętak krzyżakowy oraz dołączony klucz imbusowy.

- Upewnić się, że lodówka jest odłączona i że jest pusta.
- Skorzystać z pomocy drugiej osoby.
- Zachować wszystkie demontowane elementy, żeby można było użyć ich później.

### Narzędzia potrzebne do przełożenia drzwi:

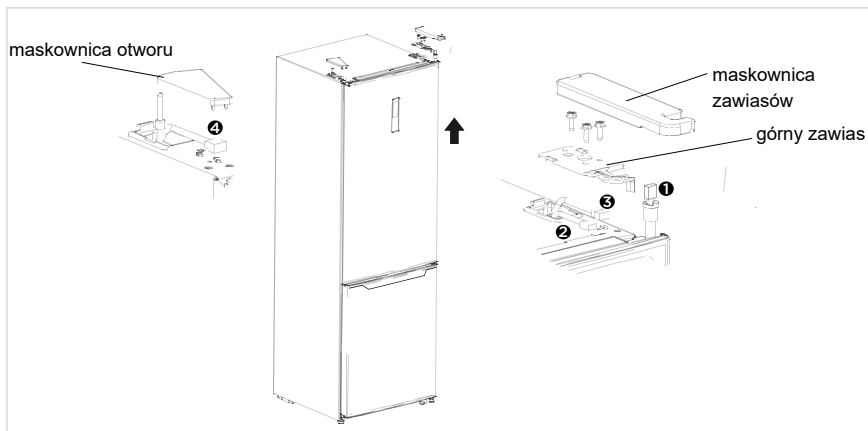


### Elementy potrzebne podczas przekładania drzwi

SN	Nazwa	Numer	Uwagi
1	Tulejka bolca	1	Fabrycznie zainstalowany na lodówce; do użycia po instalacji drzwi po przeciwnej stronie.
2	Maskownica śruby zawiasu	1	
3	Ogranicznik prawy	1	Wstępnie zainstalowany w lodówce, usuwany po odwróceniu drzwi i przechowywany do wykorzystania w przyszłości
4	Zespół pokrywy zawiasów	1	
5	Przełącznik typu pillar switch	1	Fabrycznie zainstalowany na lodówce; do użycia po instalacji drzwi po przeciwnej stronie.
6	Maskownica prawego zawiasu	1	Wstępnie zainstalowany w lodówce, usuwany po odwróceniu drzwi i przechowywany do wykorzystania w przyszłości
7	Górny prawy zawias	1	
8	Regulowana nóżka	1	Fabrycznie zainstalowany na lodówce; do użycia po instalacji drzwi po przeciwnej stronie.
9	Pakiet akcesoriów	3	Górny lewy zawias/Pokrywa górnego lewego zawiasu/Ogranicznik lewy
10	Zestaw dolnego zawiasu	1	Fabrycznie zainstalowany na lodówce; do użycia po instalacji drzwi po przeciwnej stronie.
11	Śruba zawiasu dolnego	2	
12	Płytką końcowa	1	
13	Maskownica otworu	1	

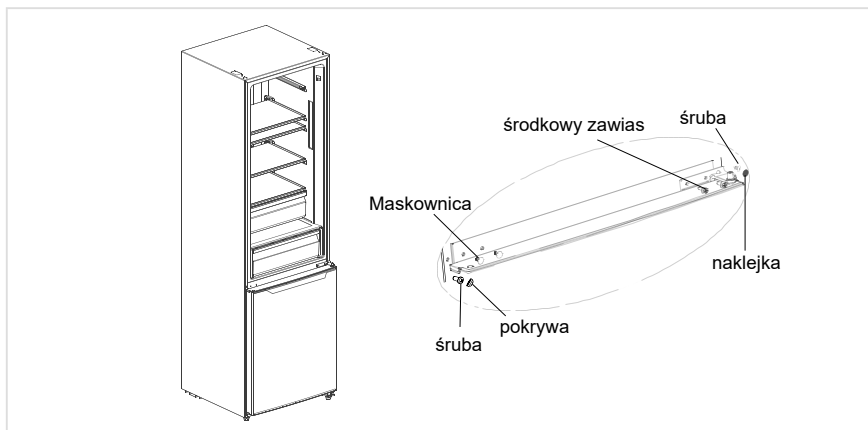
## Krok:

1. Przed przeprowadzeniem poniższych czynności należy wyłączyć urządzenie. Wyjąć żywność z balkoników na drzwiach. Umocować drzwi taśmą.
2. Usunąć maskownicę górnego zawiasu, śruby i górny zawias, następnie usunąć maskownicę otworów po drugiej stronie. Rozłączyć przewód z prawej strony na wierzchu lodówki (❶, ❷ złącze przewodu).

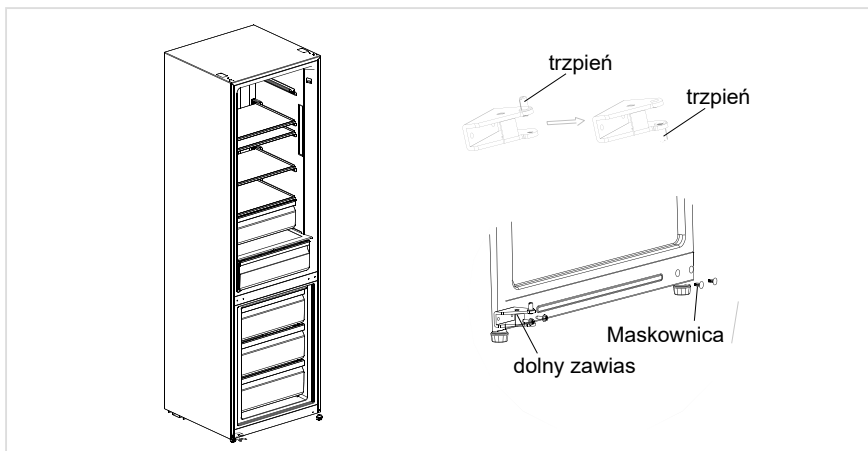


PL

3. Zdjąć drzwiczki komory chłodniczej oraz wkręty pokrywy śruby, naklejkę i środkowy zawias, maskownicę.

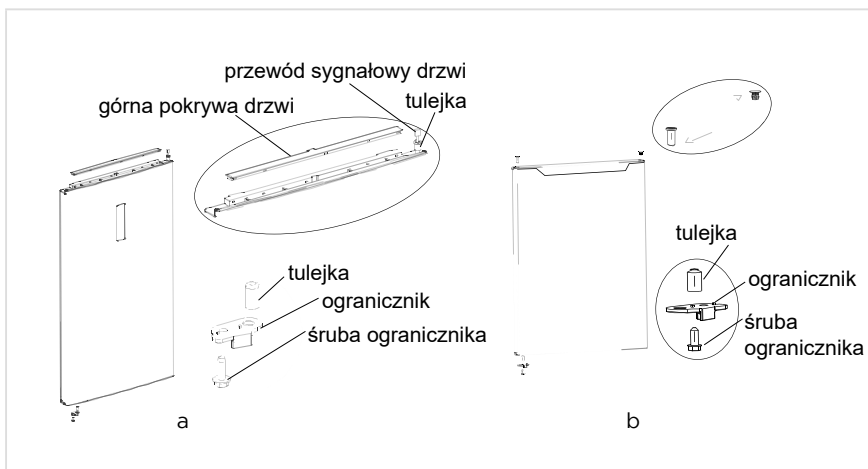


4. Zdjąć drzwi komory zamrażającej, zdemontować dolny zawias i maskownicę. Zamontować trzon zawiasu dolnego po drugiej stronie i zainstalować zawias dolny po drugiej stronie belki dolnej.

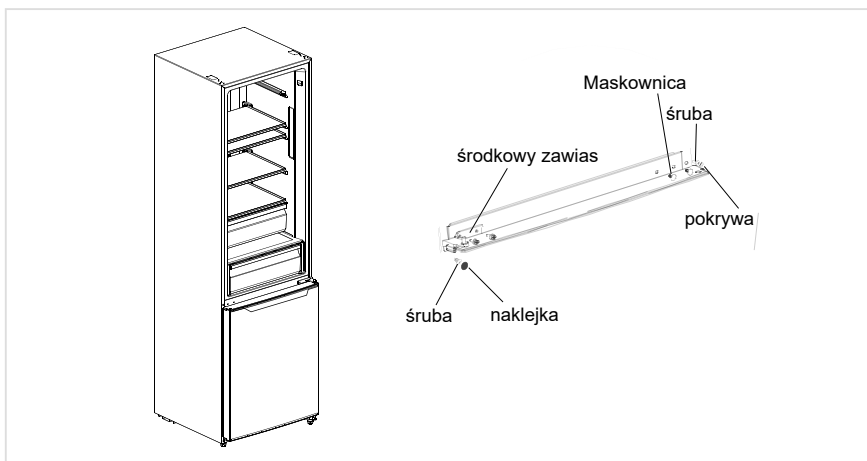


PL

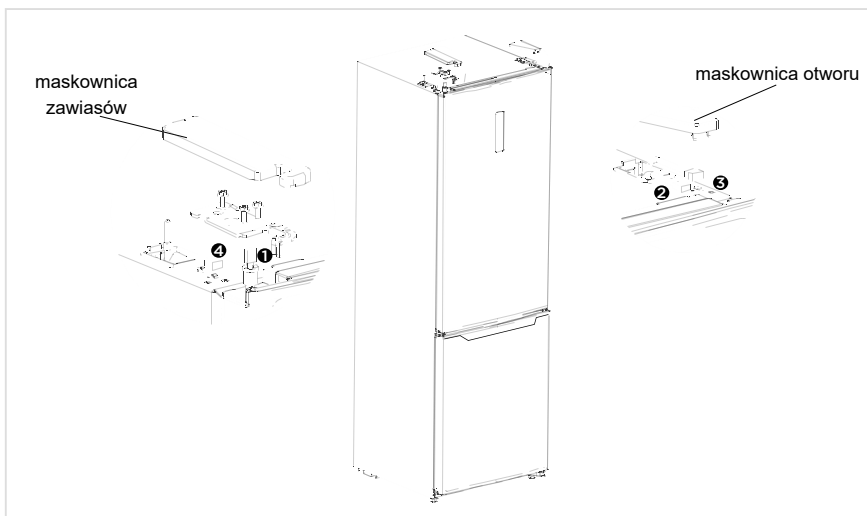
5. a) Zdjąć górną pokrywę drzwi komory lodówki, po drugiej stronie zamontować koszulkę górnego zawiasu, przewód sygnałowy drzwi i górną pokrywę drzwi. Zdemontować ogranicznik i tulejkę z prawego dołu drzwi komory zamrażarki, wyjąć kolejny zapasowy ogranicznik (dla drzwi dwustronnych) i zamontować tulejkę i zapasowy ogranicznik na lewym dole drzwi za pomocą śrub. Zamontować tuleję górnego zawiasu, przewód sygnałowy drzwi na drugą stronę i założyć górną osłonę drzwi.  
 b) Zdemontować ogranicznik i tulejkę z prawego dołu drzwi komory zamrażarki, wyjąć kolejny zapasowy ogranicznik (dla drzwi dwustronnych) i zamontować tulejkę i zapasowy ogranicznik na lewym dole drzwi za pomocą śrub. Zdjąć koszulki i maskownice otworów z drzwi zamrażarki i założyć je po drugiej stronie.



6. Założyć drzwi zamrażarki na dolny zawias i założyć środkowy zawias, maskownice otworów, zaślepkę śruby oraz naklejkę.



7. Z pakietu akcesoriów wyjąć lewy górny zawias, pokrywę lewego górnego zawiasu. Założyć drzwi lodówki na środkowy zawias, założyć górny zawias. Połączyć złącze przewodu sygnałowego ❷ ze złączem przewodu sygnałowego ❶, następnie połączyć złącze przewodu sygnałowego ❸ ze złączem przewodu sygnałowego ❹, założyć pokrywę górnego zawiasu i maskownicę otworu.



**UWAGA**

Powyższa ilustracja ma charakter poglądowy. Rzeczywista konfiguracja zależy od modelu bądź zamówienia dystrybutora.

## Miejsce pracy

- Przed użyciem urządzenia należy usunąć wszystkie elementy opakowania w tym dolne poduszki, podkładowki z pianki i taśmy znajdujące się wewnątrz chłodziarki; należy również zerwać folię ochronną z drzwi i obudowy lodówki.
- Przechowywać z dala od ognia i unikać miejsc bezpośrednio nasłonecznionych. Nie umieszczać zamrażarki w miejscu wilgotnym lub w pobliżu wody, aby zapobiec rdzewieniu i pogorszeniu skuteczności izolacji.
- Nie rozpylać na lodówkę cieczy ani nie myć lodówki; nie umieszczać lodówki w miejscach wilgotnych, gdzie może zostać zachłapana wodą, która może spowodować utratę właściwości izolacyjnych podzespołów elektrycznych lodówki.
- Ustaw chłodziarkę w dobrze wentylowanym pomieszczeniu. Podłoże powinno być płaskie i solidne (jeśli jest niestabilne, wyreguluj nóżki obracając kółkami w prawo lub lewo w celu wypoziomowania urządzenia).



## Nóżki poziomujące

Aby zapobiec wibracjom, należy wypoziomować urządzenie.

W razie potrzeby wyregulować śruby poziomujące, aby skompensować nierówności podłoża.

Przód powinien być lekko uniesiony względem tyłu, aby zamykanie drzwi było łatwiejsze.

Aby ułatwić sobie przekręcanie śrub poziomujących, należy lekko pochylić urządzenie.

Obracać śruby poziomujące w lewo , aby podnieść urządzenie lub w prawo , aby urządzenie obniżyć.

## Przemieszczanie urządzenia

1. Wyjąć wszystkie produkty z urządzenia.
2. Odłączyć wtyczkę zasilającą urządzenia od gniazda, umieścić i zablokować ją w uchwycie na wtyczkę z tyłu urządzenia lub na jego wierzchu.
3. Przymocować za pomocą taśmy samoprzylepnej elementy, takie jak półki i rączka drzwiczek, aby zapobiec ich wypadnięciu podczas przemieszczania urządzenia.
4. Urządzenie powinny przemieszczać dwie osoby, zachowując najwyższą ostrożność. Gdy urządzenie jest przemieszczane na dużą odległość, należy utrzymywać je w położeniu pionowym.
5. Po instalacji na miejscu podłączyć wtyczkę zasilającą do gniazda, aby włączyć urządzenie.

### UWAGA

Środki ostrożności przed regulacją:

Przed wprowadzeniem zmian należy odłączyć lodówkę od zasilania. Należy podjąć odpowiednie środki ostrożności, aby zapobiec obrażeniu ciała.



## Wymiana źródła światła

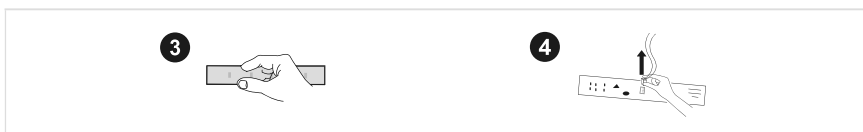
- Wymiana lub konserwacja lamp LED powinna być wykonana przez producenta, podległy mu serwis lub podobny profesjonalny punkt usługowy. Urządzenie jest wyposażone w źródło światła o klasie wydajności energetycznej <F>.

### Krok

- Odłączyć wtyczkę przed demontażem.
- Klosz zdjąć za pomocą śrubokręta.



- Zdjąć panel lampy.
- Odłączyć wtyczkę przewodu zasilającego.



## Podłączanie urządzenia

Przed pierwszym uruchomieniem i podłączeniem do źródła zasilania należy odstawić lodówkę na przynajmniej dwie godziny.

### UWAGA

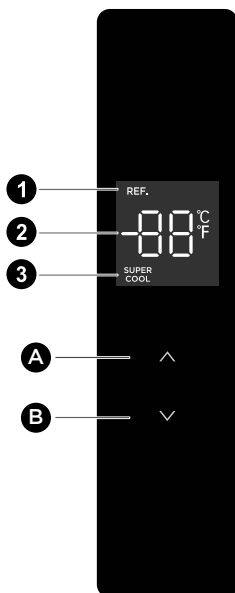
Chłodziarkę należy uruchomić 2-3 godziny przed umieszczeniem w niej jakichkolwiek produktów spożywczych; latem 4 godziny, jeśli temperatura otoczenia jest wysoka.

## Wskazówki na temat oszczędzania energii

- Urządzenie należy umieścić w najchłodniejszym miejscu w pomieszczeniu, z dala od urządzeń generujących ciepło lub kanałów ciepłego powietrza, w miejscu, które nie jest bezpośrednio nasłonecznione.
- Gorące potrawy należy wystudzić do temperatury pokojowej zanim zostaną umieszczone w urządzeniu. Umieszczenie w urządzeniu zbyt dużej ilości produktów wymusza dłuższą pracę sprężarki. Żywność, która jest zamrażana zbyt wolno może stracić walory smakowe lub ulec zepsuciu.
- Przed umieszczeniem produktów spożywczych w urządzeniu pamiętaj o ich prawidłowym zawinięciu i wytarciu pojemników do sucha. Pozwala to ograniczyć gromadzenie się lodu wewnątrz urządzenia.
- Pojemników wewnątrz urządzenia nie należy wykładać folią aluminiową, woskowanym papierem ani papierowymi ręcznikami. Materiały tego typu zakłócają obieg zimnego powietrza, przez co urządzenie staje się mniej wydajne.
- Należy dbać o prawidłowe układanie żywności i jej oznakowanie, aby zredukować częstotliwość otwierania drzwi oraz skrócić czas poszukiwania danego produktu. Należy za jednym otwarciem drzwi wyjąć możliwie jak najwięcej produktów i zamknąć drzwi tak szybko jak to możliwe.

# INSTRUKCJA OBSŁUGI

## Panel sterowania



PL

### UWAGA

Powyższa ilustracja ma charakter poglądowy. Rzeczywista konfiguracja zależy od modelu bądź zamówienia dystrybutora.

### Przyciski

- A** Przycisk podwyższania temperatury
- B** Przycisk obniżania temperatury

### Wyświetlacz

- |          |                                |
|----------|--------------------------------|
| <b>1</b> | Ikona chłodzenia               |
| <b>2</b> | Ikona wyświetlacza temperatury |
| <b>3</b> | Ikona intensywnego chłodzenia  |

## Wyświetlacz

- Po pierwszym włączeniu zasilania chłodziarki ekran włączy się na 3 sekundy. Następnie ekran przełącza się na wyświetlanie zwykłych wskazań. Włączone światło wyświetlacza otwartych drzwi; Po zamknięciu drzwi podświetlenie wyświetlacza gaśnie. Przy pierwszym użyciu lodówki domyślnie ustawiona temperatura komory lodówki wynosi 5°C.
- W razie wystąpienia błędu, wyświetlacz podaje kod błędu. W przeciwnym razie wypadku wyświetlacz pokazuje ustawioną wartość temperatury.

## Ustawianie temperatury

- Wciśnięcie przycisku podwyższania temperatury „Λ” pozwala na dostosowanie temperatury, każde kliknięcie przycisku podwyższania temperatury „Λ”, podwyższa ustawioną temperaturę o 1°C; Wciśnięcie przycisku obniżania temperatury „∨” pozwala na dostosowanie temperatury, a każde kliknięcie przycisku obniżania temperatury „∨”, skutkuje obniżeniem ustawionej temperatury o 1°C; Zakres nastawy temperatury komory lodówki wynosi od 2 do 8°C. Gdy temperatura jest ustawiana na wartość graniczną, lodówka wyda dźwięk alarmu, gdy przycisk podwyższania temperatury „Λ” lub przycisk obniżania temperatury „∨” pozostaje wciśnięty.

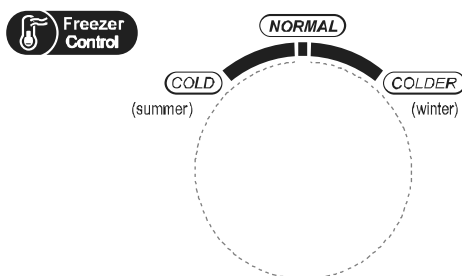
## Ustawianie trybu

- Ustawienie trybu intensywnego chłodzenia: po ustawieniu temperatury w komorze lodówki na wartość 2°C, wcisnąć przycisk obniżania temperatury „∨” aby otworzyć tryb intensywnego chłodzenia. W trybie intensywnego chłodzenia temperatura komora lodówki jest automatycznie ustawiona na wartość 2°C.
- Opuszczanie trybu intensywnego chłodzenia: wcisnąć przycisk podwyższania temperatury „Λ”, aby opuścić tryb intensywnego chłodzenia lub aby lodówka opuściła ten tryb automatycznie po upływie 6 godzin. Po opuszczeniu trybu intensywnego chłodzenia, temperatura lodówki wróci automatycznie do temperatury ustawionej przed włączenie trybu intensywnego chłodzenia.

## Kontrola alarmu otwarcia

- Jeżeli drzwi urządzenia nie zostaną zamknięte w ciągu dwóch minut, sygnał dzwonka będzie emitowany do momentu zamknięcia drzwi. Aby wyłączyć sygnał dźwiękowy, nacisnąć dowolny z pozostałych przycisków.

## Regulacja temperatury pozwala na opuszczenie trybu szybkiego chłodzenia



## Sterowanie temperaturą w komorze zamrażarki

- Wartość temperatury mrożenia jest dość niska w pozycji „COLDER” podczas gdy w pozycji „COLD” jest dość wysoka, zatem zwykle używa się pozycji „NORMAL”.
- Gdy w lecie temperatura otoczenia jest wysoka, ustawienie temperatury powinno znajdować się w zakresie od „NORMAL” do „COLD”. Jeżeli temperatura otoczenia przekracza 35°C, należy ustawić w pozycji „COLD”.
- Gdy w zimie temperatura otoczenia jest niska, ustawienie temperatury powinno znajdować się w zakresie od „NORMAL” do „COLDER”. Jeżeli temperatura otoczenia spada poniżej 10°C, należy ustawić w pozycji „COLDER”.

## Ostrzeżenie o otwartych drzwiach i alarm

- Po otwarciu drzwi chłodziarki odtworzona zostanie melodia otwartych drzwi. Jeżeli drzwi urządzenia nie zostaną zamknięte w ciągu dwóch minut, sygnał dzwonka będzie emitowany do momentu zamknięcia drzwi. Aby wyłączyć sygnał dźwiękowy, naciśnij dowolny z pozostałych przycisków.

## Informacja o wystąpieniu błędów

- Poniższe ostrzeżenia, które pojawiają się na wyświetlaczu oznaczają błędy lodówki.
- Wystąpienie błędów nie zawsze oznacza utratę funkcji chłodzenia, mimo to należy zawsze skontaktować się z serwisem, aby zapewnić prawidłową pracę urządzenia.

Kod błędu	Opis błędu
E1	Awaria czujnika temperatury komory chłodziarki
E2	Awaria czujnika temperatury komory zamrażarki
E3	Awaria czujnika temperatury szuflady o niskiej temperaturze
E5	Błąd obwodu detekcji czujnika rozmrażania
E6	Błąd komunikacji
E7	Błąd czujnika temperatury otoczenia

## Komora chłodziarki

- Komora chłodziarki jest przeznaczona do przechowywania owoców, warzyw, napojów i innych produktów żywnościowych, które zostaną skonsumowane w krótkim czasie. Sugerowany czas przechowywania to 3 do 5 dni.
- Przygotowane potrawy można umieszczać w chłodziarce dopiero po ich całkowitym wystygnięciu (temperatura pokojowa).
- Zaleca się szczelne opakowanie żywności umieszczanej w chłodziarce.
- Szklane półki można umieścić wyżej lub niżej, aby dostosować dostępną przestrzeń do umieszczonej żywności i zwiększyć wygodę użytkownika.

## Komora zamrażarki

- Komora zamrażarki umożliwia zachowanie świeżości żywności przez długi czas. Służy ona głównie do przechowywania mrozonek i wytwarzania lodu.
- Komora zamrażarki umożliwia przechowywanie mięsa, ryb, kulek ryżowych i innej żywności, która nie będzie konsumowana w najbliższym czasie.
- Mięso należy podzielić na mniejsze porcje, aby umożliwić szybkie mrożenie i ułatwić użytkowanie. Żywność należy spożytkować przed upłynięciem terminu przydatności do spożycia.

PL

## Szuflada o niskiej temperaturze

- Odpowiednia do krótkotrwałego (1-3 dni) przechowywania świeżej ryby, mięsa, produktów spożywczych itp.
- W pobliżu tylnej i dolnej części szuflady żywność może zostać zamrożona, więc nie wolno w niej umieszczać żywności, której nie należy zamrażać.
- Zalecane jest oddzielanie żywności i stosowanie szczelnych opakowań.

### UWAGA

Uwaga: Umieszczenie zbyt dużej ilości produktów spożywczych po pierwszym podłączeniu urządzenia do zasilania może niekorzystnie wpłynąć na efektywność zamrażania.

Lp.	Rodzaj komory	Docelowa temp. przechowywania [°C]	Odpowiednia żywność
1	Lodówka	+2 ~ +8	Jajka, ugotowana żywność, żywność pakowana, owoce i warzywa, produkty mleczne, ciasta, napoje i inna żywność, której nie można mrozić.
2	Zamrażarka (***)*	≤-18	Owoce morza (ryby, krewetki, skorupiaki), ryby słodkowodne i produkty mięsne (zalecane przechowywanie przez trzy miesiące; nie przekraczać tego terminu przechowywania, ponieważ spowoduje utratę smaku i wartości odżywczych), odpowiednie do mrożenia świeżej żywności.
3	Zamrażarka ***	≤-18	Owoce morza (ryby, krewetki, skorupiaki), ryby słodkowodne i produkty mięsne (zalecane przechowywanie przez trzy miesiące; nie przekraczać tego terminu przechowywania, ponieważ spowoduje utratę smaku i wartości odżywczych), odpowiednie do mrożenia świeżej żywności.
4	Zamrażarka **	≤-12	Owoce morza (ryby, krewetki, skorupiaki), ryby słodkowodne i produkty mięsne (zalecane przechowywanie przez trzy miesiące; nie przekraczać tego terminu przechowywania, ponieważ spowoduje utratę smaku i wartości odżywczych), odpowiednie do mrożenia świeżej żywności.
5	Zamrażarka *	≤-6	Owoce morza (ryby, krewetki, skorupiaki), ryby słodkowodne i produkty mięsne (zalecane przechowywanie przez trzy miesiące; nie przekraczać tego terminu przechowywania, ponieważ spowoduje utratę smaku i wartości odżywczych), odpowiednie do mrożenia świeżej żywności.
6	Zero gwiazdek	-6 ~ 0	Świeża wieprzowina, wołowina, ryby, kurczak, wybrana pakowana żywność przetworzona itd. (zaleca się spożycie tego samego dnia; najlepiej przechowywać nie dłużej niż trzy dni). Częściowo pakowana próżniowo żywność przetworzona (potrawy nie nadające się do mrożenia).
7	Chłodziarka	-2 ~ +3	Świeża/mrożona wieprzowina, wołowina, kurczak, ryby słodkowodne itd. (siedem dni w temperaturze poniżej 0°C; w przypadku temperatury powyżej 0°C zaleca się spożycie tego samego dnia, najlepiej przechowywać nie dłużej niż dwa dni). Owoce morza (od 0 do 15 dni, przy czym nie zaleca się przechowywania w temperaturze powyżej 0°C).
8	Świeża żywność	0 ~ +4	Świeża wieprzowina, wołowina, ryby, kurczak, ugotowana żywność itd. (Zaleca się spożycie w ciągu kilku dni; najlepiej przechowywać nie dłużej niż trzy dni).
9	Wino	+5 ~ +20	Czerwone wino, białe wino, wino musujące itd.

### UWAGA

Różne rodzaje żywności należy przechowywać w odpowiednich komorach lub temperaturze przechowywania.

# CZYSZCZENIE I KONSERWACJA

## Czyszczenie ogólne

- Należy regularnie usuwać kurz gromadzący się za lodówką. Pozwoli to poprawić wydajność chłodzenia i oszczędzić energię.
- Należy regularnie sprawdzać uszczelki w drzwiach i upewnić się, że nie są zabrudzone. Uszczelkę w drzwiach należy czyścić miękką szmatką zwilżoną wodą z mydłem lub rozcieńczonym detergentem.
- Wnętrze lodówki należy regularnie czyścić, aby zapobiec powstawaniu nieprzyjemnych woni.
- Przed czyszczeniem należy wyłączyć zasilanie, usunąć wszystkie produkty żywnościowe i napoje, wyjąć półki, szuflady itp.
- Do czyszczenia wnętrza chłodziarki używać miękkiej ściereczki lub gąbki oraz roztworu dwóch łyżek stołowych sody oczyszczonej rozpuszczonych w kwarcie ciepłej wody. Przetrzeć czystą wodą. Po czyszczeniu, zanim włączone zostanie zasilanie, otworzyć drzwi i poczekać, aż urządzenie wyschnie.
- W przypadku przestrzeni w chłodziarce, które trudno jest wyczyścić (takich jak wąskie przestrzenie, szczeliny lub narożniki), zaleca się ich regularne przecieranie miękką szmatką, miękką szczotką, a gdy jest taka potrzeba narzędziem pomocniczym (na przykład cienkim patyczkiem). Pozwoli to zapobiec gromadzeniu się w tych przestrzeniach zanieczyszczeń i bakterii.
- Nie używać mydła, detergentów, proszków do szorowania, środków czyszczących w sprayu itp., gdyż mogą one spowodować skażenie żywności lub utrzymywanie się we wnętrzu chłodziarki silnego zapachu.
- Półkę na butelki, półki i szuflady należy czyścić miękką szmatką zwilżoną wodą z mydłem lub rozcieńczonym detergentem. Osuszyć za pomocą miękkiej szmatki lub pozostawić do wyschnięcia.
- Zewnętrzne powierzchnie lodówki przecierać miękką szmatką zwilżoną wodą z mydłem, detergentem itp., a następnie wytrzeć do sucha.
- Nie używać twardych szczotek, wełny stalowej, szczotek drucianych, środków ściernych (takich jak pasta do zębów), rozpuszczalników organicznych (takich jak alkohol, aceton, olej z bananów itp.), wrzącej wody, środków kwasowych lub zasadowych, gdyż mogą one uszkodzić wewnętrzne lub zewnętrzne powierzchnie lodówki. Wrząca woda i rozpuszczalniki organiczne, takie jak benzen, mogą spowodować odkształcenie elementów z tworzyw sztucznych.
- Podczas czyszczenia nie pukać urządzenia bezpośrednio wodą lub innymi płynami, aby uniknąć zwarcia lub naruszenia izolacji poprzez jej zawilgocenie.

### UWAGA

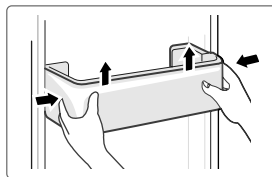
Na czas czyszczenia i rozmrażania lodówka powinna być wyłączona.

## Odszranianie

- Lodówka działa na zasadzie chłodzenia powietrzem, dlatego posiada funkcję automatycznego rozmrażania. Lód gromadzący się z powodu zmiany warunków otoczenia lub temperatury można usunąć ręcznie, odłączając urządzenie od zasilania lub poprzez przetarcie suchym ręcznikiem.

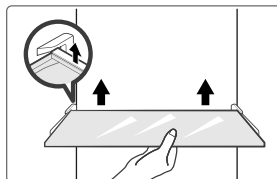
## Czyszczenie balkoników drzwiowych

- Ścisnąć obiema dłońmi balkonik w kierunku wskazanym na poniższym obrazku przez strzałki i pchnąć go do góry, aby go wyjąć.
- Po umyciu wyjętego balkonika można umieścić go na dowolnej wysokości.



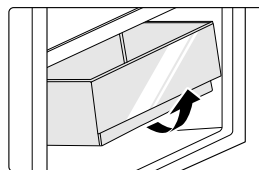
## Czyszczenie szklanych półek

- W tylnej części półki znajduje się wypust blokujący dlatego, aby wyjąć półkę, należy ją unieść.
- Wyczyścić i wyregulować półki zgodnie z zapotrzebowaniem.



## Czyszczenie szuflady na owoce i warzywa

1. Wyjąć wszystkie produkty z szuflady. Chwycić za rączkę szuflady na owoce i warzywa, a następnie wyciągnąć ją do oporu.
2. Unieść szufladę w górę, a następnie wyciągnąć ją z lodówki.



## Gdy urządzenie nie działa

### Awaria zasilania:

W razie awarii zasilania, nawet latem, temperatura żywności przechowywanej w urządzeniu będzie zachowana przez kilka godzin. Podczas przerwy w dostawie energii elektrycznej należy ograniczyć częstotliwość otwierania drzwi lodówki i nie należy umieszczać w niej dodatkowej nieschlodzonej żywności.

### Długa przerwa w korzystaniu z urządzenia:

urządzenie należy odłączyć od zasilania, a następnie wyczyścić. Pozostawić otwarte drzwi, aby zapobiec powstawaniu nieprzyjemnych zapachów.

### Przemieszczanie:

Przed przemieszczeniem lodówki należy wyjąć z niej wszystkie produkty żywnościowe, za pomocą taśmy samoprzylepnej przymocować szklane elementy wyposażenia wewnętrznego, pojemnik na warzywa, szuflady komory zamrażarki i skrócić nóżki poziomujące, a następnie okleić je taśmą. Podczas przemieszczania urządzenie nie może być obrócone do góry dnem ani ułożone poziomo. Urządzenia nie należy poddawać wstrząsom. Przemieszczanego urządzenia nie należy pochylać o więcej niż 45°.

### UWAGA

Po uruchomieniu urządzenie powinno działać bez przerw. Praca urządzenia nie powinna być zakłócana, gdyż może to spowodować skrócenie żywotności urządzenia.



# ROZWIĄZYWANIE PROBLEMÓW

Poniższe proste w rozwiązaniu problemy użytkownik może usunąć samodzielnie. Jeśli problemy nie zostaną rozwiązane, należy skontaktować się z działem serwisu posprzedażowego.

Problem	Prawdopodobna przyczyna
Nie działa	<ul style="list-style-type: none"><li>• Sprawdzić, czy urządzenie jest podłączone do zasilania oraz czy wtyczka jest poprawnie podłączona</li></ul>
	<ul style="list-style-type: none"><li>• Sprawdzić, czy napięcie jest odpowiednio wysokie</li></ul>
	<ul style="list-style-type: none"><li>• Sprawdzić, czy zasilanie działa lub czy nie doszło do wyłączenia obwodu zasilającego</li></ul>
Nieprzyjemna woń	<ul style="list-style-type: none"><li>• Żywność wydzielającą intensywną woń należy szczelnie opakować</li></ul>
	<ul style="list-style-type: none"><li>• Sprawdzić, czy żywność zepsuła się</li></ul>
	<ul style="list-style-type: none"><li>• Wyczyścić wnętrze lodówki</li></ul>
Przedłużająca się praca sprężarki	<ul style="list-style-type: none"><li>• Długa praca lodówki jest zjawiskiem normalnym w lecie, kiedy występują wysokie temperatury</li></ul>
	<ul style="list-style-type: none"><li>• Nie zaleca się przechowywania dużej ilości żywności</li></ul>
	<ul style="list-style-type: none"><li>• Żywność należy wystudzić przed umieszczeniem jej w lodówce</li></ul>
	<ul style="list-style-type: none"><li>• Drzwi otwierane są zbyt często</li></ul>
Oświetlenie nie włącza się	<ul style="list-style-type: none"><li>• Sprawdzić, czy urządzenie jest podłączone do źródła zasilania i czy źródło światła jest sprawne</li></ul>
	<ul style="list-style-type: none"><li>• Zlecić wymianę źródła światła specjalście</li></ul>
Nie można prawidłowo zamknąć drzwi	<ul style="list-style-type: none"><li>• Drzwi blokowane są przez umieszczoną żywność</li></ul>
	<ul style="list-style-type: none"><li>• Lodówka jest przechylona.</li></ul>
Głośne hałasy	<ul style="list-style-type: none"><li>• Sprawdzić, czy posadzka jest równa i czy lodówka stoi stabilnie</li></ul>
	<ul style="list-style-type: none"><li>• Sprawdzić, czy akcesoria znajdują się na swoich miejscach</li></ul>

PL

Problem	Prawdopodobna przyczyna
Uszczelka drzwi jest rozciągnięta	<ul style="list-style-type: none"> <li>• Usunąć ciała obce znajdujące się na uszczelce</li> <li>• Podgrzać uszczelkę drzwi i schłodzić ją, aby przywrócić jej kształt (użyć suszarki elektrycznej lub gorącego ręcznika)</li> </ul>
Przelewanie się wody w zbiorniku	<ul style="list-style-type: none"> <li>• W komorze znajduje się zbyt dużo żywności lub żywność zawiera zbyt dużo wody co skutkuje intensywnym odszranianiem</li> <li>• Drzwi nie są poprawnie zamknięte, co powoduje powstawanie szronu pod wpływem przedostawania się do wnętrza ciepłego powietrza. Roztopianie szronu skutkuje pojawianiem się nadmiernej ilości wody</li> </ul>
Ciepła obudowa	<ul style="list-style-type: none"> <li>• Odprowadzanie ciepła wbudowanego skraplacza przez obudowę; jest to zjawisko normalne. Gdy obudowa rozgrzewa się do wysokich temperatur z powodu wysokiej temperatury otoczenia, umieszczenia zbyt dużej ilości żywności lub wyłączenia się sprężarki, należy zapewnić odpowiednią wentylację, która umożliwi odprowadzenie ciepła</li> </ul>
Skraplanie się wody na powierzchni	<ul style="list-style-type: none"> <li>• Skroplenie się wody na powierzchni zewnętrznej i uszczelkach drzwi jest zjawiskiem normalnym, gdy wilgotność powietrza jest wysoka. Skroploną wodę można wytrzeć czystym ręcznikiem.</li> </ul>
Niestandardowe odgłosy	<ul style="list-style-type: none"> <li>• Brzęczenie: Pracująca sprężarka może brzęczeć zwłaszcza podczas uruchamiania i wyłączania się. Jest to zjawisko normalne.</li> <li>• Trzaski: Chłodziwo krążące w urządzeniu może wydawać dźwięki przypominające trzaski. Jest to zjawisko normalne.</li> </ul>

PL

# DODATEK

## Wymagania dotyczące nowych standardów Europejskich

Części zamawiane z poniższej tabeli można uzyskać za pośrednictwem kanału serwisowego.

Zamówiona część	Dostarczana przez	Minimalny wymagany czas dostępności
Termostaty	Profesjonalny personel serwisowy	Przynajmniej 7 lat od wprowadzenia na rynek ostatniego modelu
Czujniki temperatury	Profesjonalny personel serwisowy	Przynajmniej 7 lat od wprowadzenia na rynek ostatniego modelu
Płytki drukowane	Profesjonalny personel serwisowy	Przynajmniej 7 lat od wprowadzenia na rynek ostatniego modelu
Źródła światła	Profesjonalny personel serwisowy	Przynajmniej 7 lat od wprowadzenia na rynek ostatniego modelu
Uchwyty drzwi	Profesjonalne serwisy i użytkownicy końcowi	Przynajmniej 7 lat od wprowadzenia na rynek ostatniego modelu
Zawiasy drzwi	Profesjonalne serwisy i użytkownicy końcowi	Przynajmniej 7 lat od wprowadzenia na rynek ostatniego modelu
Tace	Profesjonalne serwisy i użytkownicy końcowi	Przynajmniej 7 lat od wprowadzenia na rynek ostatniego modelu
Kosze	Profesjonalne serwisy i użytkownicy końcowi	Przynajmniej 7 lat od wprowadzenia na rynek ostatniego modelu
Uszczelki drzwi	Profesjonalne serwisy i użytkownicy końcowi	Przynajmniej 10 lat od wprowadzenia na rynek ostatniego modelu

### Drugi kliencie,

1. W razie chęci zwrotu lub wymiany produktu należy się skontaktować z punktem zakupu.  
(Należy pamiętać o dostarczeniu paragonu zakupu)
2. W razie awarii urządzenia należy się skontaktować z działem obsługi klienta.

### UWAGA

Informacje o modelu dostępne w bazie danych oraz identyfikator modelu można znaleźć na stronie internetowej, której adres można uzyskać, skanując kod QR (jeśli jest dostępny) znajdujący się na etykiecie wydajności energetycznej urządzenia.

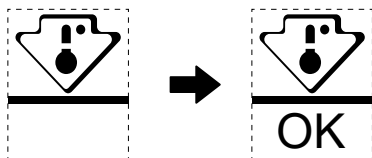
Aby dowiedzieć się więcej na temat wydajności energetycznej urządzenia, należy przejść do strony <https://ec.europa.eu> i wyszukać nazwę modelu urządzenia.

Nazwę modelu znaleźć można na etykiecie znamionowej urządzenia.

## Najzimniejsza strefa w lodówce

### OPCJONALNE: wskaźnik OK temperatury

- Za pomocą wskaźnika OK temperatury można określić temperaturę poniżej +4°C. Stopniowo obniżyć temperaturę, jeśli wskazanie „OK” nie jest wyświetlane.



- Aby zapewnić właściwą temperaturę w tej przestrzeni, nie zmieniać położenia półki. Lodówki z wymuszonym obiegiem powietrza (wyposażone w wentylator lub modele No Frost) nie posiadają oznaczenia najzimniejszej strefy, ponieważ panuje w nich równomierna temperatura.

### Wskaźnik ustawionej temperatury

- Lodówka została wyposażona we wskaźnik ustawionej temperatury, który pomaga wybrać właściwe ustawienie i monitoruje średnią temperaturę w najzimniejszej strefie.
- **OSTRZEŻENIE:** wskaźnik może być stosowany wyłącznie w konkretnej lodówce, nie można go umieścić w innej lodówce (strefy najniższej temperatury różnią się między sobą) ani stosować do innych celów.

### Sprawdzanie temperatury w najzimniejszej strefie

- Wskaźnik temperatury ułatwia regularne sprawdzanie, czy temperatura w najzimniejszej strefie jest właściwa. Na temperaturę wewnątrz lodówki wpływa wiele czynników, takich jak temperatura otoczenia, ilość umieszczonej żywności oraz częstotliwość otwierania drzwi. Konfigurując urządzenie, należy wziąć te czynniki pod uwagę.
- Gdy wskaźnik wyświetla komunikat «OK», oznacza to właściwe ustawienie termostatu i osiągnięcie pożądanego temperatury wewnętrznej.
- Gdy wskaźnik temperatury zmienia kolor na BIAŁY, oznacza to, że temperatura jest zbyt wysoka; w takiej sytuacji należy zwiększyć wartość ustawienia temperatury w lodówce i poczekać 12 godzin przed ponownym sprawdzeniem wizualnym. Chwilę po dołożeniu świeżej żywności lub pozostawieniu otwartych drzwi wskaźnik temperatury może zmienić kolor na BIAŁY.

## PATEICĪBAS VĒSTULE

Paldies, ka izvēlējāties Midea! Pirms sava jaunā Midea izstrādājuma lietošanas, lūdzu, uzmanīgi izlasiet šo rokasgrāmatu, lai gūtu pārliecību, ka protat drošā veidā izmantot savas jaunās ierīces piedāvātās iespējas un funkcijas.

# SATURS

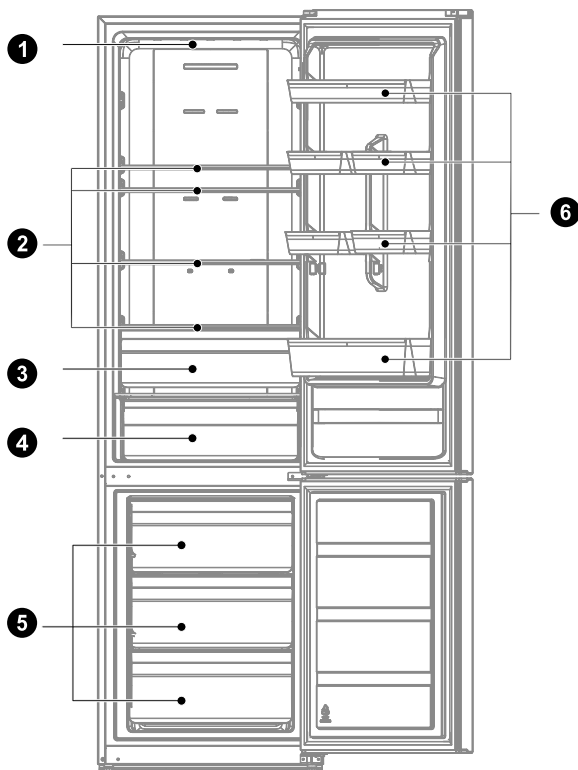
<b>PATEICĪBAS VĒSTULE</b> .....	01
<b>SPECIFIKĀCIJAS</b> .....	02
<b>PRODUKTA PĀRSKATS</b> .....	03
<b>PRODUKTA UZSTĀDĪŠANA</b> .....	04
<b>LIETOŠANAS INSTRUKCIJAS</b> .....	12
<b>TĪRĪŠANA UN APKOPE</b> .....	17
<b>TRAUCĒJUMMEKLĒŠANA</b> .....	19
<b>PIELIKUMS</b> .....	21

# SPECIFIKĀCIJAS

<b>Produkta modelis</b>	<b>MDRB489FGE</b>
Svaigu pārtikas produktu uzglabāšanas nodalījuma tilpums	247 L
Saldētu pārtikas produktu uzglabāšanas nodalījuma tilpums	83 L
Atkausēšanas veids	Automātiskā atkausēšana
Temperatūras kāpuma ilgums	8 h
Saldēšanas jauda	4 kg/24 h
Nominālais spriegums/Frekvence	220-240V~/50Hz
Nominālstrāva	0,7 A
Kopējais izmērs (A x P x D)	2010 x 595 x 635 mm

# PRODUKTA PĀRSKATS

## Komponentu nosaukumi



- |   |                            |   |                        |
|---|----------------------------|---|------------------------|
| 1 | Gaismas diožu apgaismojums | 4 | Atdzesēšanas atvilktnē |
| 2 | Plaukts                    | 5 | Atvilktnē              |
| 3 | Augļu un dārzeņu kaste     | 6 | Durvju plaukts         |

### UZMANĪBU!

Augstāk redzamais attēls ir tikai atsaucei. Faktiskā konfigurācija ir atkarīga no fiziskā izstrādājuma vai izplatītāja paziņojuma.

LV

# PRODUKTA UZSTĀDĪŠANA

## Uzstādīšanas instrukcija

### Aukstumiekārtām ar klimata klasi

- Atkarībā no klimata klases šī aukstumiekārta ir paredzēta lietošanai apkārtējās vides temperatūras diapazonā, kā norādīts sekojošajā tabulā.
- Klimata klase ir atrodama uz datu plāksnītes. Produkts var darboties nepareizi, ja temperatūra ir ārpus noteiktā diapazona.
- Klimata klase ir norādīta uz produkta etiķetes.

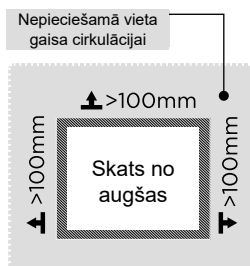
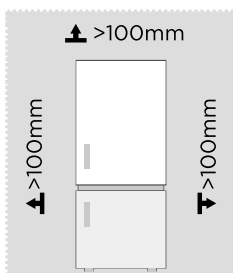
### Efektīvās temperatūras diapazons

- Dzesētājs ir paredzēts normālai darbībai temperatūru diapazonā, ko nosaka tā klases vērtējums.

Klase	Simbols	Apkārtējās vides temperatūras diapazons °C	
		IEC 62552 (ISO 15502)	ISO 8561
Paplašināts mērens	SN	+10 līdz +32	+10 līdz +32
Mērens	N	+16 līdz +32	+16 līdz +32
Subtropu	ST	+16 līdz +38	+18 līdz +38
Tropu	T	+16 līdz +43	+18 līdz +43

### Izmēri un attālumi

- Pārāk mazs attālums no blakus esošajiem priekšmetiem var pasliktināt sasalšanas spēju un palielināt elektroenerģijas izmaksas. Uzstādot ierīci, atstājiet vairāk nekā 100 mm atstarpi no katras blakus esošās sienas.

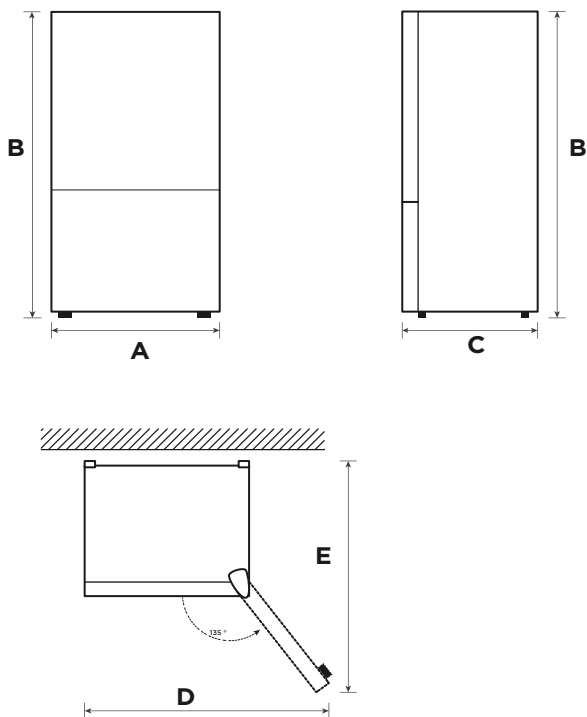


### UZMANĪBU!

Augstāk redzamais attēls ir tikai atsauce. Faktiskā konfigurācija ir atkarīga no fiziskā izstrādājuma vai izplatītāja paziņojuma.



Nepieciešamās vietas diagramma (kad durvis ir atvērtas un kad durvis ir aizvērtas)



LV

Platums	Kopējais augstums	Dziļums	Platums ar durvīm atvērtām 135° leņķī	Dziļums ar durvīm atvērtām 135° leņķī
A	B	C	D	E
595	2010	635	1016	1186

Ņemiet vērā: Visi izmēri mm

## Durvju maiņa no labās uz kreiso pusi (pēc izvēles)

Ņemot vērā vietu, kur plānojat izmantot savu ledusskapi, iespējams, ērtāk būs mainīt durvju pozīciju.

### **PIESARDZĪBU!**

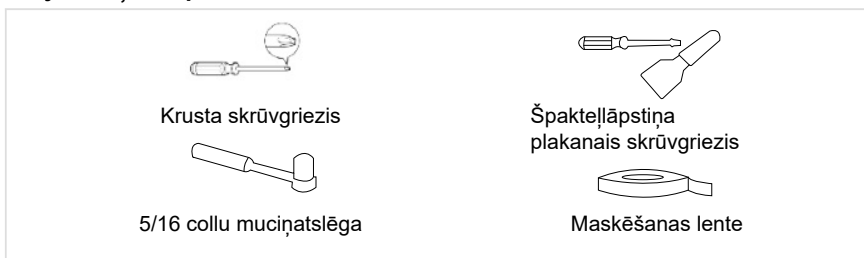
**PIESARDZĪBU:** Lai izvairītos no savainojumiem vai īpašuma bojājuma, mēs iesakām izmantot citu palīdzību durvju maiņas procesa laikā.

Sagatavošanās durvju pozīcijas maiņai

Jums būs nepieciešams: Standarta skrūvgriezis, Phillips skrūvgriezis un komplektācijā iekļautā sešstūra uzgriežņu atslēga.

- Pārliecinieties, vai ledusskapis ir atvienots no strāvas un ir tukšs.
- Nodrošiniet, lai kāds jums palīdzētu šajā procesā.
- Saglabājiet visas noņemtās daļas, lai tās vēlāk izmantotu atkārtoti.

### Durvju maiņai nepieciešamie instrumenti:

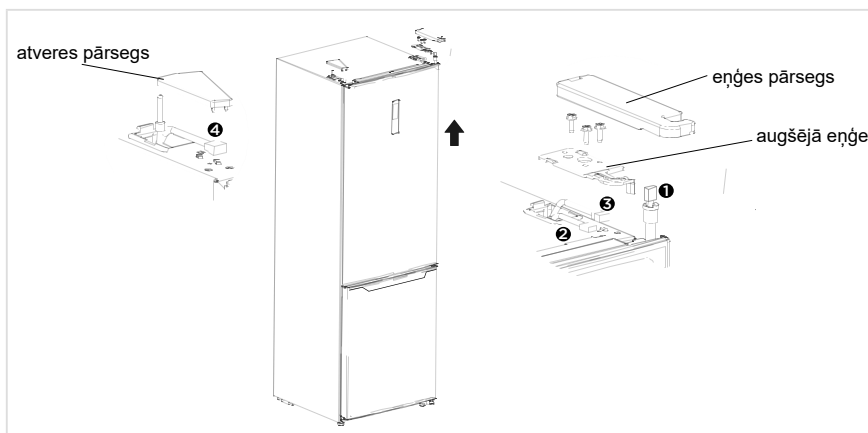


### Daļas durvju maiņai

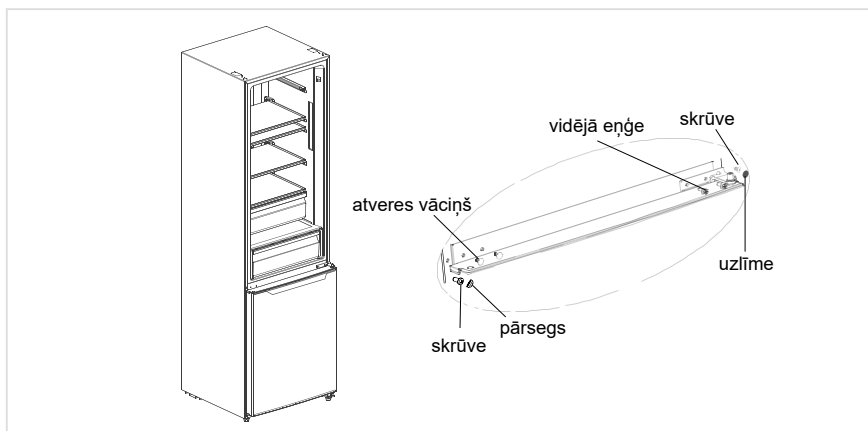
SN	Nosaukums	Numurs	Piezīmes
1	Ass uzrava	1	Iepriekš uzstādīts ledusskapis, tiek izmantots pēc durvju maiņas
2	Augšējās eņģes skrūve	1	
3	Labās puses atdure	1	Ledusskapim uzstādīta iepriekš, noņemta, kad tiek mainīts durvju atvēršanas virziens, un saglabāta izmantošanai nākotnē
4	Eņģes pārsega komplekts	1	
5	Statņa slēdzis	1	Iepriekš uzstādīts ledusskapis, tiek izmantots pēc durvju maiņas
6	Labās puses eņģes pārsegs	1	Ledusskapim uzstādīta iepriekš, noņemta, kad tiek mainīts durvju atvēršanas virziens, un saglabāta izmantošanai nākotnē
7	Augšējā labās puses eņģe	1	
8	Regulējama pēda	1	Iepriekš uzstādīts ledusskapis, tiek izmantots pēc durvju maiņas
9	Piederumu komplekts	3	Kreisās puses augšējā eņģe / kreisās puses augšējās eņģes pārsegs / kreisās puses atdure
10	Apakšējās eņģes komplekts	1	
11	Apakšējās eņģes skrūve	2	Iepriekš uzstādīts ledusskapis, tiek izmantots pēc durvju maiņas
12	Gala pārsega plāksne	1	
13	Atveres pārsegs	1	

## Solis:

1. Pirms šīs darbības veikšanas, lūdzu, izslēdziet šo ierīci. Izņemiet visus produktus no durvju plauktiem. Nostipriniet durvis ar līmlenti.
2. Demontējiet augšējās eņģes pārsegu, skrūves un augšējo eņģi, un noņemiet atveres vāciņu otrā pusē. Atvienojiet vadu savienotāju labajā pusē ledusskapja augšā (1, 3 vadu savienotājs).

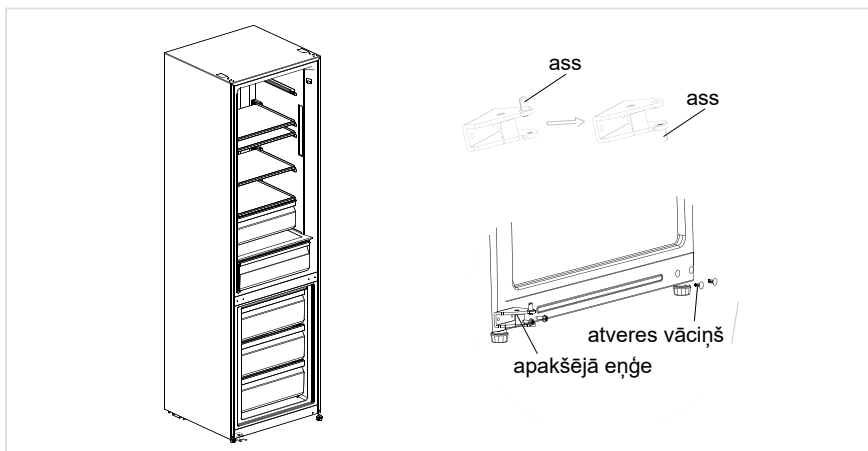


3. Noņemiet dzesēšanas kameras durvis, kā arī skrūves, skrūvju pārsegu, uzlīmi un vidējo eņģi, atveres vāciņu.

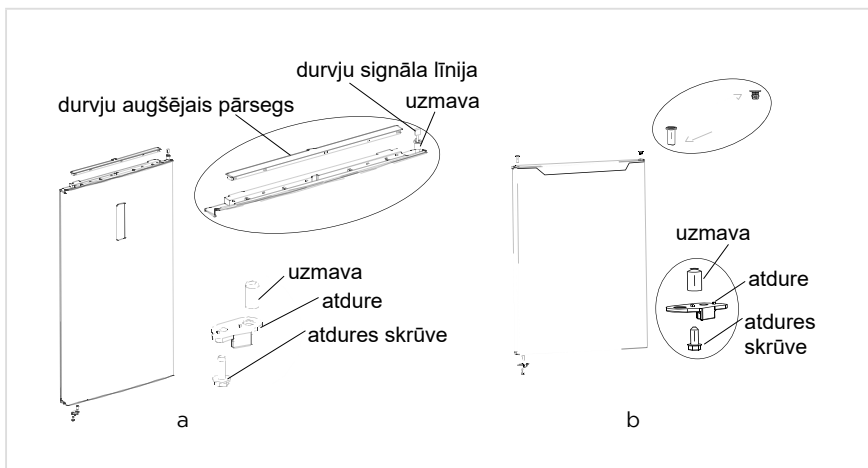


LV

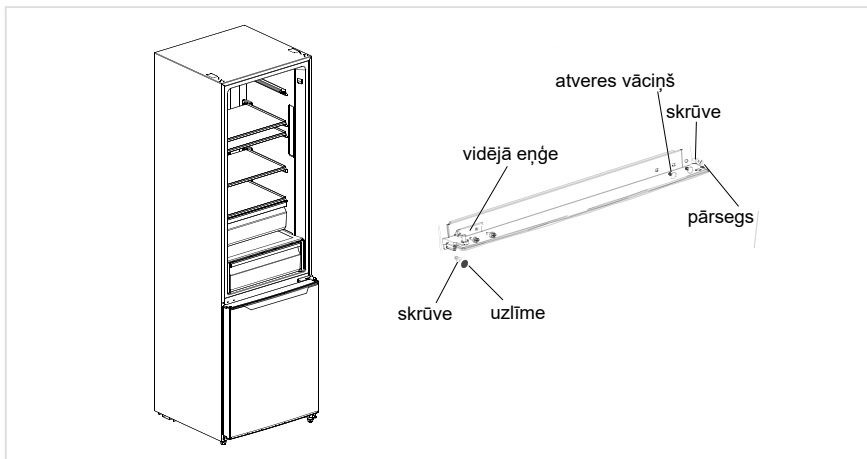
4. Noņemiet saldēšanas kameras durvis, izjauciet apakšējo eņģi, atveres vāciņus. Uzstādiet apakšējās eņģes asi otrajā pusē un uzstādiet apakšējo eņģi apakšējā stienā otrajā pusē.



5. a) Noņemiet dzesēšanas kameras durvju augšējo pārsegu, uzstādiet augšējās eņģes uznavu, durvju signāla līniju uz otru pusi un uzstādiet durvju augšējo pārsegu. Noņemiet atduri un uznavu no saldēšanas kameras durvju apakšējā labās puses stūra, izņemiet citu rezerves atduri (durvīm, kurām var mainīt virzienu) un ar skrūvi piestipriniet uznavu ar rezerves atduri durvju apakšējā kreisajā stūrī. Otrajā pusē uzstādiet augšējās eņģes uznavu, durvju signāla līniju un uzstādiet durvju augšējo pārsegu.
- b) Noņemiet atduri un uznavu no saldēšanas kameras durvju apakšējā labās puses stūra, izņemiet citu rezerves atduri (durvīm, kurām var mainīt virzienu) un ar skrūvi piestipriniet uznavu ar rezerves atduri durvju apakšējā kreisajā stūrī. Noņemiet no saldēšanas kameras durvīm uznavu un atveres vāciņus, uzstādiet tos otrajā pusē.

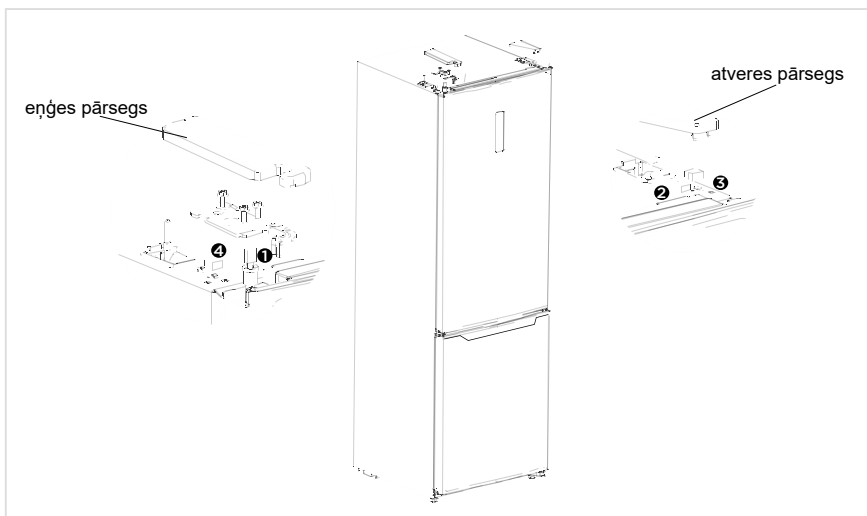


6. Uzlieciet saldēšanas nodalījuma durvis uz apakšējās eņģes, uzstādiet vidējo eņģi, atveres vāciņus, skrūves pārsegu un uzlīmi.



7. Izņemiet no piederumu komplekta augšējo kreisās puses eņģi, augšējās kreisās puses eņģes pārsegu. Uzlieciet dzesēšanas nodalījuma durvis uz vidējās eņģes, uzstādiet augšējo eņģi. Savienojiet signāla līnijas terminālu ④ ar signāla līnijas terminālu ①, savienojiet signāla līnijas terminālu ② ar signāla līnijas terminālu ③, uzstādiet augšējās eņģes pārsegu un atveres vāciņu.

LV



**UZMANĪBU!**

Augstāk redzamais attēls ir tikai atsaucei. Faktiskā konfigurācija ir atkarīga no fiziskā izstrādājuma vai izplatītāja paziņojuma.

## Novietošana

- Pirms lietošanas noņemiet visus iepakojuma materiālus, tostarp apakšējās uzlikas, putuplastu un līmlentes ledusskapja iekšpusē; novelciet aizsargplēvi no durvīm un ledusskapja korpusa.
- Sargiet no karstuma un izvairieties no tiešiem saules stariem. Nenovietojiet saldētavu mitrās vai ūdeņainās vietās, lai novērstu rūsu vai mazinātu izolācijas efektu.
- Neapsmidziniet un nemazgājiet ledusskapi; nenovietojiet ledusskapi mitrās vietās, kur tam var viegli uzšļakstīties ūdens, lai neietekmētu ledusskapja elektroizolācijas īpašības.
- Ledusskapis jānovieto labi vēdināmā telpā; pamatnei jābūt līdzenai un izturīgai (pagrieziet pa kreisi vai pa labi, lai regulētu līmeņošanas rīteni, ja nestāv stabili).



## Līmeņošanas balsts

Lai izvairītos no vibrācijas, ierīce ir jālīmeņo.

Ja nepieciešams, noregulējiet līmeņošanas skrūves, lai kompensētu grīdas nelīdzenumu.

Priekšpusei jābūt nedaudz augstākai par aizmuguri, lai palīdzētu aizvērt durvis.

Līmeņošanas skrūves var viegli pagriezt, nedaudz pagriežot ledusskapi.

Pagrieziet līmeņošanas skrūves pretēji pulksteņrādītāju kustības virzienam , lai paceltu ierīci, vai pulksteņrādītāju kustības virzienā , lai to nolaistu.

LV

## Ierīces pārvietošana

1. Izņemiet no ierīces visu pārtiku.
2. Atvienojiet strāvas kontaktdakšu, ievietojiet un piestipriniet to strāvas kontaktdakšas āķī ierīces aizmugurē vai augšpusē.
3. Pielīmējiet detaļas, piemēram, plauktus un durvju rokturi, lai ierīces pārvietošanas laikā tie nenokristu.
4. Uzmanīgi pārvietojiet ierīci ar vairāk nekā diviem palīgiem. Pārvadājot ierīci lielos attālumos, turiet ierīci vertikāli.
5. Pēc ierīces uzstādīšanas pievienojiet strāvas kontaktdakšu kontaktligzdai, lai ieslēgtu ierīci.

### UZMANĪBU!

Piesardzības pasākumi pirms lietošanas:

Pirms jebkādu izmaiņu veikšanas ledusskapis ir jāatvieno no strāvas padeves. Veiciet piesardzības pasākumus, lai novērstu jebkādas traumas.

## Lampiņas maiņa

- Jebkāda LED lampiņu nomaiņa vai apkope ir jāveic ražotājam, tā servisa pārstāvim vai līdzīgi kvalificētai personai. Šis izstrādājums satur energoefektivitātes <F> klases gaismas avotu.

## Solis

1. Pirms noņemšanas, lūdzu, atvienojiet kontaktdakšu.
2. Noņemiet lampu, izmantojot skrūvgriezi.



3. Noņemiet lampas paneli.
4. Izņemiet savienojumu termināli.



## Ierīces pievienošana

Pirms sākotnējās palaišanas nekustiniet ledusskapi divas stundas pirms savienošanas ar barošanas avotu.

### UZMANĪBU!

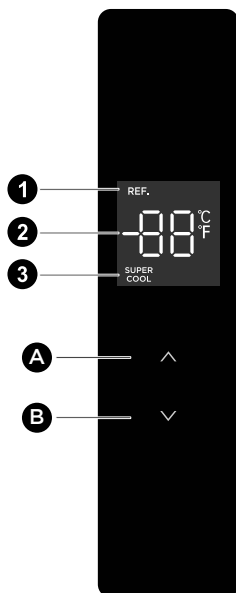
Pirms ievietojat jebkādu svaigus vai saldētus produktus, ļaujiet ledusskapim darboties 2-3 stundas un vasarā vairāk kā 4 stundas, kad apkārtnes temperatūra ir augsta.

## Padomi enerģijas taupīšanai

- Ierīce ir jānovieto telpas vēsākajā daļā, prom no siltumu radošām ierīcēm, apsildes cauruļvadiem un tiešiem saules stariem.
- Ļaujiet karstiem ēdieniem atdzist līdz istabas temperatūrai, pirms ievietojat tos ierīcē. Ierīces pārslodzošana liek kompresoram darboties ilgāk. Produkti, kas sasalst pārāk lēni, var zaudēt kvalitāti vai sabojāties.
- Rūpīgi ietiniet pārtikas produktus un izslaukiet konteinerus, lai tie būtu sausi, pirms ievietojat tos ierīcē. Tas samazina sarmas veidošanos ierīces iekšpusē.
- Ierīces uzglabāšanas tvertnei nedrīkst izklāt ar alumīnija foliju, vaskpapīru vai papīra dvieļiem. Iekļātie materiāli traucē aukstā gaisa cirkulāciju, padarot ierīci mazāk efektīvu.
- Organizējiet un marķējiet pārtikas produktus, lai samazinātu durvju atvēršanas reižu skaitu un ilgstošu meklēšanu. Izņemiet pēc iespējas vairāk nepieciešamo produktu vienā reizē un iespējami drīz aizveriet durvis.

# LIETOŠANAS INSTRUKCIJAS

## Kontroles panelis



LV

### UZMANĪBU!

Augstāk redzamais attēls ir tikai atsaucei. Faktiskā konfigurācija ir atkarīga no fiziskā izstrādājuma vai izplatītāja paziņojuma.

### Taustiņš

- |   |                                   |
|---|-----------------------------------|
| A | Temperatūras paaugstināšanas poga |
| B | Temperatūras pazemināšanas poga   |

### Displejs

- |   |                             |
|---|-----------------------------|
| 1 | Ledusskapja ikona           |
| 2 | Temperatūras displeja ikona |
| 3 | Spēcīgas dzesēšanas ikona   |



## Displejs

- Ieslēdzot ledusskapi pirmo reizi, viss displeja panelis iemirgosies uz 3 sekundēm. Pēc tam displejs pārslēgsies uz normālu režīmu. Displeja iedegšanās, kad durvis tiek atvērtas. Kad durvis aizveras, displejs izdziest. Lietojot ledusskapi pirmo reizi, dzesēšanas kameras noklusējuma iestatītā temperatūra ir 5 °C.
- Kad rodas kļūda, displeja panelis parāda kļūdas kodu. Citādi displeja panelis parāda iestatīto temperatūru.

## Temperatūras iestatīšana

- Nospiediet temperatūras paaugstināšanas pogu "Λ", lai regulētu temperatūru. Katrā temperatūras paaugstināšanas pogas "Λ" piespiešanas reizē iestatītā temperatūra palielināsies par 1 °C.
- Nospiediet temperatūras pazemināšanas pogu "∨", lai regulētu temperatūru. Katrā temperatūras pazemināšanas pogas "∨" piespiešanas reizē iestatītā temperatūra pazemināsies par 1 °C.
- Dzesēšanas kameras temperatūras iestatījumu diapazons ir 2~8 °C. Kad temperatūras iestatījums sasniegs robežvērtību, ledusskapis atskaņos brīdinājuma signālu, ja vēl būs piespiesta temperatūras pazemināšanas poga "Λ" vai temperatūras paaugstināšanas poga "∨".

## Režīma iestatīšana

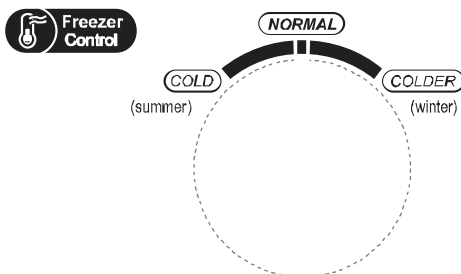
- Spēcīgas dzesēšanas režīma iestatīšana: kad dzesēšanas nodalījuma temperatūra ir noregulēta uz 2 °C, nospiediet temperatūras pazemināšanas pogu "∨", lai ieslēgtu spēcīgas dzesēšanas režīmu. Spēcīgas dzesēšanas režīmā dzesēšanas kameras temperatūra tiek automātiski iestatīta uz +2°C.
- Spēcīgas dzesēšanas režīma izslēgšana: nospiediet temperatūras paaugstināšanas pogu "Λ", lai izslēgtu spēcīgas dzesēšanas režīmu, vai spēcīgas dzesēšanas režīms tiks automātiski izslēgts pēc 6 h. Pēc spēcīgas dzesēšanas režīma izslēgšanas ledusskapja temperatūra automātiski atgriezīsies pie temperatūras, kas bija iestatīta pirms spēcīgas dzesēšanas režīma.

LV

## Atvēršanas brīdinājuma vadība

- Ja durvis netiek aizvērtas divas minūtes, signāls skan, līdz durvis tiek aizvērtas. Nospiediet jebkuru pogu, lai apturētu signālu.

## Temperatūras regulēšana var izslēgt ātrās dzesēšanas režīmu



## Saldēšanas kameras temperatūras iestatīšana

- Sasaldēšanas temperatūra ir salīdzinoši zema pozīcijā "COLDER", savukārt sasaldēšanas temperatūra ir salīdzinoši augsta pozīcijā "COLD", tāpēc parasti tiek izmantota pozīcija "NORMAL".
- Kad vasarā ir augsta apkārtējā temperatūra, tā būs diapazonā no "NORMAL" līdz "COLD". Ja apkārtējā temperatūra pārsniedz 35 °C, tad noteicošā būs pozīcija "COLD".
- Kad ziemā ir zema apkārtējā temperatūra, tā būs diapazonā no "NORMAL" līdz "COLDER". Ja apkārtējā temperatūra ir zemāka par 10 °C, tad noteicošā būs pozīcija "COLDER".

## Atvēršanas brīdinājuma un trauksmes vadība

- Atverot ledusskapja durvis, atskanēs atvēršanas mūzika. Ja durvis netiek aizvērtas divas minūtes, signāls turpina skanēt, līdz durvis tiek aizvērtas. Nospiediet jebkuru pogu, lai apturētu signālu.

## Kļūmju norādes

- Norādīto brīdinājumu parādīšanās displejā liecina par attiecīgajām ledusskapja kļūmēm.
- Lai gan kļūmju gadījumā ledusskapis var nodrošināt uzglabāšanu vēsumā, lietotājam ir jāsazinās ar apkopes speciālistu, lai nodrošinātu ierīces optimālu darbību.

Kļūmes kods	Kļūmes apraksts
E1	Dzesēšanas kameras temperatūras sensora kļūda
E2	Saldēšanas kameras temperatūras sensora kļūda
E3	Atdzesēšanas atvilktnes temperatūras sensora kļūme
E5	Saldēšanas/atkausēšanas sensora noteikšanas kontūra kļūda
E6	Sakaru kļūda
E7	Apkārtējās gaisa temperatūras sensora kļūda

## Dzesēšanas kamera

- Dzesēšanas kamera ir piemērota, lai uzglabātu dažādus augļus, dārzeņus, dzērienus un citus pārtikas produktus, kas jāizlieto īsā laika periodā, ieteicamais uzglabāšanas laiks ir 3 līdz 5 dienas.
- Termiski apstrādātus produktus nedrīkst likt dzesēšanas kamerā, līdz tie nav atdzesēti līdz istabas temperatūrai.
- Ieteicams cieši noslēgt pārtikas produktus pirms to ievietošanas ledusskapī.
- Stikla plauktus var pārvietot augstāk vai zemāk, nodrošinot piemērotu uzglabāšanas vietu un ērtu lietošanu.

## Saldēšanas kamera

- Zemas temperatūras saldēšanas kamerā iespējams uzturēt produktus svaigus ilgu laiku, un to galvenokārt izmanto sasaldētu produktu glabāšanai un ledus pagatavošanai.
- Saldēšanas kamera ir piemērota, lai uzglabātu gaļu, zivis, rīsu bumbas un citus produktus, ko nav paredzēts ātri izlietot.
- Gaļas gabalus ieteicams sadalīt nelielos gabaliņos ātrai sasaldēšanai un ērtai piekļuvei. Lūdzu, ņemiet vērā produktu derīguma termiņu.

## Atdzesēšanas atvilktnē

- Piemērota īstermiņa uzglabāšanai (1–3 dienas), lai ēstu svaigas zivis, gaļu, svaigus pārtikas produktus utt.
- Atvilktnes aizmugurējā un apakšējā zonā pārtikas produkti var sasalt, tajā nebūtu jāievieto produkti, kas nedrīkst sasalt.
- Ieteicams veikt pārtikas klasifikāciju un izmantot noslēgtus iepakojumus.

### UZMANĪBU!

Piezīme: Pārāk liela produktu apjoma uzglabāšana pēc sākotnējā savienojuma ar barošanas avotu var negatīvi ietekmēt ledusskapja saldēšanas spēju.

Secība	Nodalījumu TIPS	Mērķa glabāšanas temp. [°C]	Atbilstošā pārtika
1	Ledusskapis	+2 ~ +8	Saldēšanai nav piemērotas olas, vārīti ēdieni, iepakoti ēdieni, augļi un dārzeņi, piena produkti, kūkas, dzērieni un citi pārtikas produkti.
2	(***)*-Saldētava	≤-18	Jūras veltes (zivis, garneles, vēžveidīgie), saldūdens produkti un gaļas produkti (ieteicams 3 mēneši, jo ilgāks uzglabāšanas laiks, jo sliktāka garša un uzturvērtība), piemērots saldētai svaigai pārtikai.
3	***-Saldētava	≤-18	Jūras veltes (zivis, garneles, vēžveidīgie), saldūdens produkti un gaļas produkti (ieteicams 3 mēneši, jo ilgāks uzglabāšanas laiks, jo sliktāka garša un uzturvērtība), piemērots saldētai svaigai pārtikai.
4	**-Saldētava	≤-12	Jūras veltes (zivis, garneles, vēžveidīgie), saldūdens produkti un gaļas produkti (ieteicams 3 mēneši, jo ilgāks uzglabāšanas laiks, jo sliktāka garša un uzturvērtība), piemērots saldētai svaigai pārtikai.
5	*-Saldētava	≤-6	Jūras veltes (zivis, garneles, vēžveidīgie), saldūdens produkti un gaļas produkti (ieteicams 3 mēneši, jo ilgāks uzglabāšanas laiks, jo sliktāka garša un uzturvērtība), piemērots saldētai svaigai pārtikai.
6	0 zvaigznītes	-6 ~ 0	Svaiga cūkgaļa, liellopu gaļa, zivis, vistas gaļa, daži fasēti apstrādāti pārtikas produkti utt. (ieteicams apēst tās pašas dienas laikā, vēlams ne ilgāk kā 3 dienas). Daļēji fasēti apstrādāti pārtikas produkti (nesasaldējami produkti).
7	Atdzesēšana	-2 ~ +3	Svaiga/saldēta cūkgaļa, liellopu gaļa, vistas gaļa, saldūdens jūras velšu produkti utt. (7 dienas temperatūrā zem 0 °C un virs 0 °C ieteicams lietot uzturā attiecīgās dienas laikā, vēlams ne ilgāk kā 2 dienu laikā). Jūras veltes (mazāk par 0 uz 15 dienām, nav ieteicams uzglabāt temperatūrā virs 0 °C).
8	Svaiga pārtika	0 ~ +4	Svaiga cūkgaļa, liellopu gaļa, zivis, vistas gaļa, termiski apstrādāti produkti utt. (ieteicams apēst vienas dienas laikā, vēlams ne ilgāk par 3 dienām)
9	Vīns	+5 ~ +20	Sarkanvīns, baltvīns, dzirkstošais vīns utt.

### UZMANĪBU!

lūdzu, uzglabājiet dažādus pārtikas produktus atbilstoši produktu nodalījumiem vai mērķa uzglabāšanas temperatūrai.

# TĪRĪŠANA UN APKOPE

## Vispārēja tīrīšana

- Savlaicīgi notīriet putekļus, kas sakrājušies aiz ledusskapja un uz grīdas, lai uzlabotu dzesēšanas efektu un enerģijas taupīšanu.
- Regulāri pārbaudiet durvju blīvi, lai pārliecinātos, vai nav uzkrājušies gruži. Tīriet durvju blīvi, izmantojot mīkstu drānu, kas samitrināta ziepjūdenī vai atšķaidītā mazgāšanas līdzeklī.
- Regulāri tīriet ledusskapja iekšpusi, lai novērstu smakas.
- Pirms iekšpuses tīrīšanas atvienojiet barošanas avotu, izņemiet visus produktus, dzērienus, plauktus, atvilktnes utt.
- Tīriet ledusskapja iekšpusi, izmantojot mīkstu drānu vai sūkli, divas ēdamkarotes sodas un kvartu silta ūdens. Pēc tam noskalojiet ar ūdeni un noslaukiet. Pēc tīrīšanas atveriet durvis un ļaujiet dabīgi nožūt, pirms pieslēdzat barošanas avotu.
- Grūti tīrāmas ledusskapja zonas (šauras vietas, spraugas un stūrus) ieteicams regulāri noslaucīt ar mīkstu lupatu, mīkstu birsti utt., pēc nepieciešamības izmantojot papildrīkus (tievas nūjas), lai novērstu piesārņojuma un baktēriju uzkrāšanos šajās zonās.
- Nelietojiet ziepes, mazgāšanas līdzekļus, pulverus, izsmidzināmus tīrīšanas līdzekļus utt., jo tie var radīt aromātus ledusskapja iekšpusē vai piesārņot pārtikas produktus.
- Tīriet pudeļu rāmi, plauktus un atvilktnes, izmantojot mīkstu drānu, kas samitrināta ziepjūdenī vai atšķaidītā mazgāšanas līdzeklī. Noslaukiet ar mīkstu drānu vai ļaujiet nožūt dabīgi.
- Ledusskapja ārējo virsmu noslaukiet ar mīkstu drānu, kas samitrināta ziepjūdenī, mazgāšanas līdzeklī utt., un pēc tam noslaukiet sausu.
- Nelietojiet cietas birstes, tērauda bumbas, metāla suku, abrazīvus līdzekļus (piemēram, zobu pastas), organiskus šķīdinātājus (piemēram, alkoholu, acetonu, banānu eļļu u.c.), vārošu ūdeni, skābus vai sārmainus līdzekļus, kas var sabojāt ledusskapja virsmu un iekšpusi. Vārošs ūdens un organiski šķīdinātāji, piemēram, benzīns, var deformēt vai sabojāt plastmasas daļas.
- Tīrīšanas laikā neskalojiet tieši ar ūdeni vai citiem šķīdumiem, lai izvairītos no īssavienojumiem un neietekmētu elektroizolāciju pēc saslāpīšanas.

## UZMANĪBU!

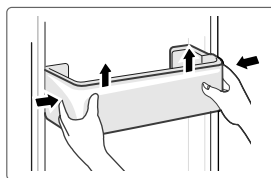
Lūdzu, atvienojiet ledusskapi no barošanas avota, pirms veicat atkausēšanu un tīrīšanu.

## Atkausēšana

- Ledusskapis ir izgatavots, balstoties uz gaisa dzesēšanas principu, un tam ir automātiskas atkausēšanas funkcija. Apsarmojumu, kas radies gadalaika vai temperatūras maiņas dēļ, var manuāli noņemt, atvienojot ierīci no barošanas avota vai slaukot ar sausu dvieli.

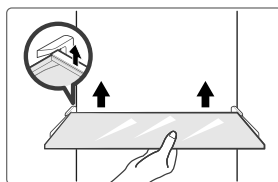
## Durvju nodalījuma tīrīšana

- Atbilstoši virziena bultiņai zemāk redzamajā attēlā izmantojiet abas rokas, lai saspiestu plauktu, un velciet to augšup, lai izņemtu.
- Pēc tam, kad izņemtais plaukts ir nomazgāts, varat regulēt tā uzstādīšanas augstumu atbilstoši savām prasībām.



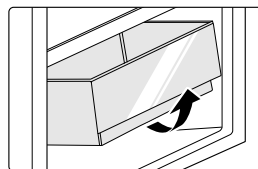
## Stikla plaukta tīrīšana

- Tā kā ledusskapja ieliktņa iekšējai daļai, kas saskaras ar plauktiem, ir atbalsta mehānisms, plauktus var izņemt, paceļot tos augšup.
- Regulējiet un tīriet plauktus atbilstoši savām prasībām.



## Dārzeņu atvilktnes tīrīšana

1. Izņemiet atvilktnes saturu. Satveriet dārzeņu atvilktnes rokturi un izvelciet to līdz galam.
2. Paceliet dārzeņu atvilktni uz augšu un izņemiet to, izvelkot to ārā.



## Nedarbojas

### Elektroapgādes traucējums:

Elektroapgādes traucējuma gadījumā, pat ja ir vasara, produktus var uzglabāt ierīcē vairākas stundas; elektroapgādes traucējuma laikā durvis vajadzētu atvērt iespējami retāk un jaunus produktus nevajadzētu ievietot.

### Ilgstoša nelietošana:

Ierīce ir jāatvieno no barošanas avota, lai veiktu tīrīšanu; pēc tam durvis jāatstāj atvērtas, lai novērstu smakas.

### Pārvietošana:

Pirms ledusskapja pārvietošanas izņemiet visus priekšmetus, nostipriniet stikla nodalījumus, dārzeņu turētāju, saldēšanas kameras atvilktnes utt. ar līmlenti un pievelciet līmeņošanas balstu; aizveriet durvis un nostipriniet ar līmlenti. Pārvietošanas laikā ierīci nedrīkst novietot otrādi vai horizontāli un pakļaut vibrācijām; slūpums pārvietošanas laikā nedrīkst pārsniegt 45°.

### UZMANĪBU!

Pēc darbības sākšanas ierīce darbosies pastāvīgi. Ierīces darbību nevajadzētu pārtraukt; tas var saīsināt darbmūžu.

# TRAUCĒJUMMEKLĒŠANA

Tālāk minētās vienkāršās problēmas var risināt pats lietotājs. Sazinieties ar pēcpārdošanas pakalpojumu nodaļu, ja problēma nav atrisināta.

Problēma	Iespējamais cēlonis
Nedarbojas	<ul style="list-style-type: none"><li>• Pārbaudiet, vai ierīce ir savienota ar barošanas avotu un spraudnis ir cieši iesprausts</li></ul>
	<ul style="list-style-type: none"><li>• Pārbaudiet, vai spriegums nav pārāk zems</li></ul>
	<ul style="list-style-type: none"><li>• Pārbaudiet, vai nav traucēta elektroapgāde vai radusies problēma kontūra daļā</li></ul>
Smaka	<ul style="list-style-type: none"><li>• Aromātiski produkti ir cieši jāiesaiņo</li></ul>
	<ul style="list-style-type: none"><li>• Pārbaudiet, vai nav sabojājušos produktu</li></ul>
	<ul style="list-style-type: none"><li>• Iztīriet ledusskapja iekšpusi</li></ul>
Kompresora ilgstoša darbība	<ul style="list-style-type: none"><li>• Ledusskapja ilgstoša darbība ir normāla vasarā, kad apkārtnes temperatūra ir augsta</li></ul>
	<ul style="list-style-type: none"><li>• Nav ieteicams ierīcē vienlaicīgi uzglabāt pārāk daudz produktu</li></ul>
	<ul style="list-style-type: none"><li>• Produktiem ir jābūt atdzisušiem pirms to ievietošanas ierīcē</li></ul>
	<ul style="list-style-type: none"><li>• Durvis tiek pārāk bieži virinātas</li></ul>
Lampiņa neiedegas	<ul style="list-style-type: none"><li>• Pārbaudiet, vai ledusskapis ir savienots ar barošanas avotu un vai nav bojāta apgaismojuma lampiņa</li></ul>
	<ul style="list-style-type: none"><li>• Lūdziet speciālistu nomainīt lampiņu</li></ul>
Durvis nevar pareizi aizvērt	<ul style="list-style-type: none"><li>• Durvis traucē aizvērt produktu iepakojumi</li></ul>
	<ul style="list-style-type: none"><li>• Ledusskapis ir saliecies.</li></ul>
Skaļš troksnis	<ul style="list-style-type: none"><li>• Pārbaudiet, vai grīda ir līdzena un ledusskapis ir novietots stabili</li></ul>
	<ul style="list-style-type: none"><li>• Pārbaudiet, vai piederumi ir novietoti pareizajās vietās</li></ul>

LV

Problēma	Iespējamais cēlonis
Durvju blīve nav cieša	<ul style="list-style-type: none"> <li>• Noņemiet svešķermeņus no durvju blīves</li> <li>• Sasildiet durvju blīvi un pēc tam atdzesējiet to (sildīšanai varat izmantot elektrisko fēnu vai karstu dvieļi)</li> </ul>
Ūdens tekne pārplūst	<ul style="list-style-type: none"> <li>• Kamerā ir pārāk daudz produktu vai uzglabātie produkti satur pārāk daudz ūdens, kā rezultātā nepieciešama spēcīga atkausēšana</li> <li>• Durvis nav rūpīgi aizvērtas, gaisa ieplūdes dēļ rodas sarma un atkausēšanas rezultātā ir daudz ūdens</li> </ul>
Karsts korpuss	<ul style="list-style-type: none"> <li>• Iebūvētā kondensatora siltuma izkliede caur korpusu, kas ir normāla parādība. Ja korpuss kļūst karsts augstās apkārtējās temperatūras dēļ, pārāk liela pārtikas daudzuma vai kompresora izslēgšanās dēļ, nodrošiniet labu ventilāciju, lai veicinātu siltuma izkliedi.</li> </ul>
Virsmas kondensācija	<ul style="list-style-type: none"> <li>• Kondensāts uz ledusskapja ārējās virsmas un durvju blīvēm ir normāla parādība, ja apkārtnes mitrums ir pārāk augsts. Noslaukiet kondensātu ar tīru dvieļi.</li> </ul>
Anormāls troksnis	<ul style="list-style-type: none"> <li>• Dūkoņa: Kompresors darbības laikā var radīt dūkoņu, un dūkoņa ir skaļa, īpaši sākot un beidzot darbu. Tā ir normāla parādība.</li> <li>• Krakšķi: Ierīces iekšpusē plūstošais dzesētājs var radīt krakšķus, kas ir normāla parādība.</li> </ul>



# PIELIKUMS

## Īpaši jaunam Eiropas standartam

Pasūtītās detaļas, kas norādītas tabulā, var iegādāties ar servisa nodrošinātāja starpniecību

Pasūtītā daļa	Nodrošina	Minimālais piegādes laiks
Termostati	Profesionāls apkopes personāls	Vismaz 7 gadus pēc pēdējā modeļa palaišanas tirgū
Temperatūras sensori	Profesionāls apkopes personāls	Vismaz 7 gadus pēc pēdējā modeļa palaišanas tirgū
Apdrukātas shēmas plates	Profesionāls apkopes personāls	Vismaz 7 gadus pēc pēdējā modeļa palaišanas tirgū
Gaismas avots	Profesionāls apkopes personāls	Vismaz 7 gadus pēc pēdējā modeļa palaišanas tirgū
Durvju rokturi	Profesionāli labotāji un galalietotāji	Vismaz 7 gadus pēc pēdējā modeļa palaišanas tirgū
Durvju eņģes	Profesionāli labotāji un galalietotāji	Vismaz 7 gadus pēc pēdējā modeļa palaišanas tirgū
Plaukti	Profesionāli labotāji un galalietotāji	Vismaz 7 gadus pēc pēdējā modeļa palaišanas tirgū
Grozi	Profesionāli labotāji un galalietotāji	Vismaz 7 gadus pēc pēdējā modeļa palaišanas tirgū
Durvju blīves	Profesionāli labotāji un galalietotāji	Vismaz 10 gadus pēc pēdējā modeļa palaišanas tirgū

LV

## Cienījamais klient,

1. Ja vēlaties nodot atpakaļ vai nomainīt izstrādājumu, lūdzu, sazinieties ar veikalu, kurā to iegādājāties.  
(Atcerieties paņemt līdzīgu pirkuma čeku)
2. Ja izstrādājums ir salūzis un ir nepieciešams remonts, lūdzu, sazinieties ar pēcpārdošanas pakalpojumu sniedzēju.

## 🔍 UZMANĪBU!

Informāciju par konkrēto modeli produktu datubāzē, kā arī modeļa identifikatoru var iegūt, izmantojot tīmekļa saiti, skenējot QR kodu, ja tāds ir, uz izstrādājuma energoefektivitātes marķējuma.

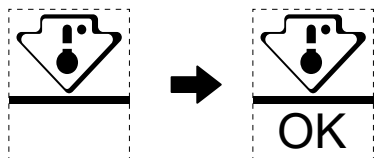
Lai iegūtu papildinformāciju par ierīces energoefektivitāti, apmeklējiet vietni <https://ec.europa.eu> un meklējiet, izmantojot modeļa nosaukumu.

Modeļa nosaukums pieejams uz ierīces datu uzlīmes.

## Aukstākā zona ledusskapī

### PĒC IZVĒLES: Atbilstošās temperatūras rādītājs

- Atbilstošās temperatūras rādītāju var izmantot, lai noteiktu temperatūru zem +4 °C. Pakāpeniski samaziniet temperatūru, ja nav redzams "OK".



- Lai nodrošinātu temperatūru šajā zonā, nemainiet plaukta pozīciju. Piespiedu gaisa ledusskapjiem (modeļiem ar ventilatoru vai automātiskās atkausēšanas funkciju) aukstākās zonas simbola nav, jo temperatūra iekšpusē ir viendabīga.

### Temperatūras indikatora iestatīšana

- Lai palīdzētu jums veikt ledusskapja iestatīšanu, tas ir aprīkots ar temperatūras indikatoru, kas novēro vidējo temperatūru aukstākajā zonā.
- **BRĪDINĀJUMS!** Šis indikators ir paredzēts tikai darbam ar jūsu ledusskapi, nelietojiet to citā ledusskapī (faktiski aukstākā zona nav tāda pati) vai citiem nolūkiem.

### Temperatūras pārbaude aukstākajā zonā

- Izsmantojot temperatūras indikatoru, jūs varat regulāri pārbaudīt, vai aukstākās zonas temperatūra ir pareiza. Ledusskapja iekšējā temperatūra ir atkarīga no vairākiem faktoriem, piemēram, telpas apkārtējās temperatūras, uzglabāto pārtikas produktu daudzuma un durvju atvēršanas biežuma. Iestatot ierīci, ņemiet vērā šos faktorus.
- Kad indikators rāda "OK", tas nozīmē, ka termostats ir labi noregulēts un iekšējā temperatūra ir pareiza.
- Ja temperatūras indikators nomainās uz BALTU, tas nozīmē, ka temperatūra ir pārāk augsta; šādā gadījumā palieliniet ledusskapja temperatūras kontroles iestatījumu un uzgaidiet 12 stundas, pirms no jauna vizuāli pārbaudāt indikatoru. Kad ir ievietoti svaigi pārtikas produkti vai durvis ir atstātas atvērtas, pēc kāda laika temperatūras indikators, iespējams, nomainīsies uz BALTU.

## **PORUKA ZAHVALNOSTI**

Hvala vam što ste izabrali kompaniju Midea! Pre upotrebe svog novog Midea proizvoda, pažljivo pročitajte ovo uputstvo da biste se uverili da znate kako da na bezbedan način koristite karakteristike i funkcije koje vaš novi uređaj nudi.

# SADRŽAJ

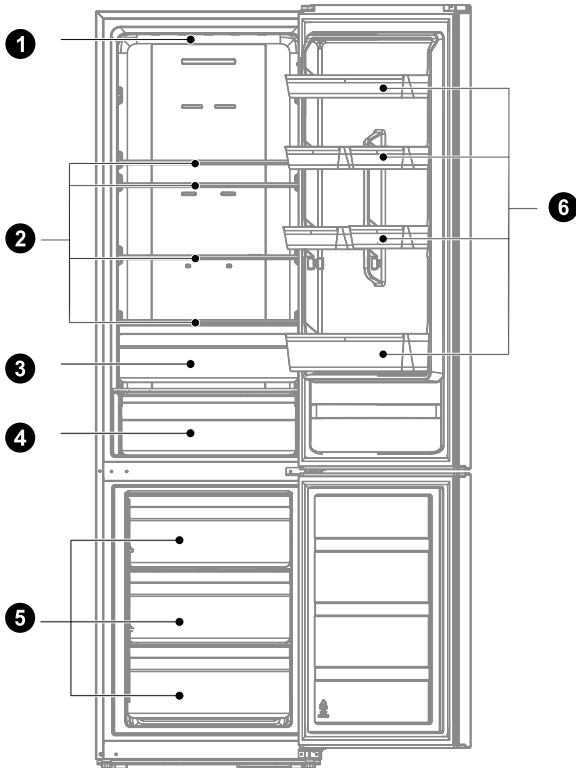
<b>PORUKA ZAHVALNOSTI</b>	01
<b>SPECIFIKACIJE</b>	02
<b>PREGLED PROIZVODA</b>	03
<b>POSTAVLJANJE PROIZVODA</b>	04
<b>UPUTSTVO ZA UPOTREBU</b>	12
<b>ČIŠĆENJE I ODRŽAVANJE</b>	17
<b>REŠAVANJE PROBLEMA</b>	19
<b>DODATAK</b>	21

# SPECIFIKACIJE

<b>Model proizvoda</b>	<b>MDRB489FGE</b>
Zapremina odeljka za čuvanje sveže hrane	247L
Zapremina odeljka za čuvanje zamrznute hrane	83L
Tip odmrzavanja	Automatsko odmrzavanje
Vreme rasta temperature	8h
Kapacitet zamrzavanja	4 kg/24h
Nominalni napon/frekvencija	220-240V~/50Hz
Nazivna jačina struje	0,7 A
Ukupne dimenzije (V x Š x D)	2010x595x635 mm

# PREGLED PROIZVODA

## Nazivi komponenti



- |   |                         |   |                   |
|---|-------------------------|---|-------------------|
| 1 | LED lampica             | 4 | Fioka za hlađenje |
| 2 | Polica                  | 5 | Fioka             |
| 3 | Kutija za voće i povrće | 6 | Polica za vrata   |

### ● PAŽNJA

Slika iznad služi samo za referencu. Stvarna konfiguracija će zavisiti od kupljenog proizvoda ili izjave distributera.

SR

# POSTAVLJANJE PROIZVODA

## Uputstvo za postavljanje

### Za uređaje za hlađenje sa klimatskom klasom

- U zavisnosti od klimatske klase, ovaj uređaj za hlađenje predviđen je za upotrebu u opsezima temperature okruženja navedenim u sledećoj tabeli.
- Klimatsku klasu možete da pronađete na pločici sa specifikacijama. Proizvod ne može ispravno da funkcioniše na temperaturama van navedenog opsega.
- Klimatsku klasu možete da pronađete na nalepnici proizvoda.

### Efektivni opseg temperature

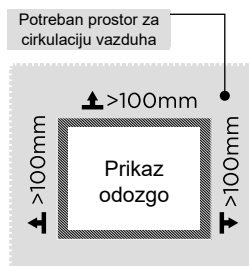
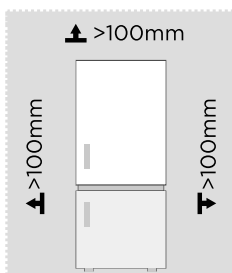
- Proizvod je projektovan tako da normalno radi u opsegu temperature koji je naveden u specifikacijama klase.

Klasa	Simbol	Opseg temperature okoline °C	
		IEC 62552 (ISO 15502)	ISO 8561
Proširena umerena	SN	od +10 do +32	od +10 do +32
Umerena	N	od +16 do +32	od +16 do +32
Subtropska	ST	od +16 do +38	od +18 do +38
Tropska	T	od +16 do +43	od +18 do +43

SR

### Dimenzije i razmaci

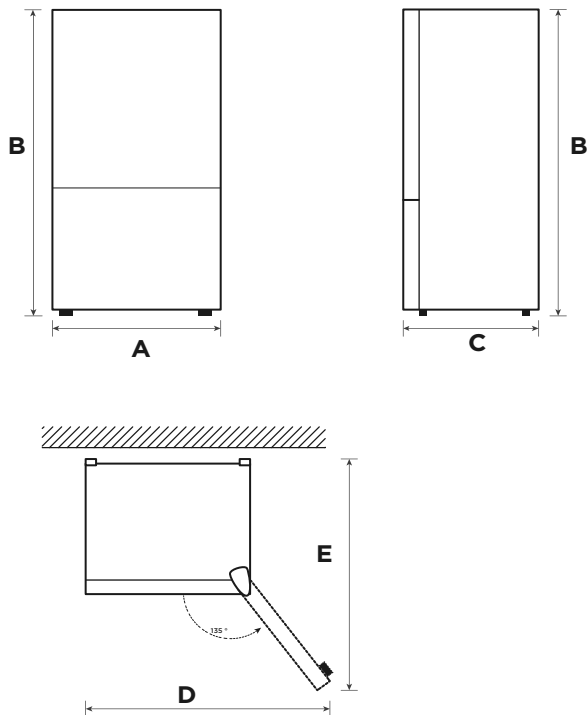
- Ako je udaljenost od susednih predmeta premala, može doći do umanjenja sposobnosti zamrzavanja i povećanja troškova električne energije. Ostavite više od 100 mm slobodnog prostora od svakog susednog zida prilikom postavljanja uređaja.



## PAŽNJA

Slika iznad služi samo za referencu. Stvarna konfiguracija će zavisi od kupljenog proizvoda ili izjave distributera.

Dijagram potrebnog prostora (kada su vrata otvorena i zatvorena)



SR

Širina	Ukupna visina	Dubina	Širina kada su vrata otvorena pod uglom od 135°	Dubina kada su vrata otvorena pod uglom od 135°
A	B	C	D	E
595	2010	635	1016	1186

Napomena: Sve dimenzije u mm

## Promena strane otvaranja vrata (opcija)

U zavisnosti od lokacije na kojoj planirate da koristite frižider, možda će vam biti zgodnije da promenite stranu otvaranja vrata.

### OPREZ

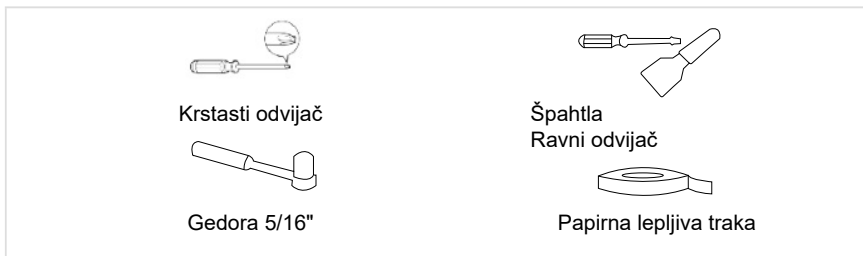
OPREZ: Da se ne biste povredili ili da biste izbegli oštećenje imovine, preporučujemo da vam neko pomogne tokom promene strane otvaranja vrata.

Priprema za promenu strane otvaranja vrata

Potrebni su: Standardni odvijač, Phillips odvijač i priloženi imbus ključ.

- Uverite se da je vaš frižider isključen i prazan.
- Neka vam neko pomogne tokom ovog postupka.
- Sačuvajte sve delove koje uklonite da biste ih kasnije ponovo postavili.

### Alati potrebni za promenu strane otvaranja vrata:



SR

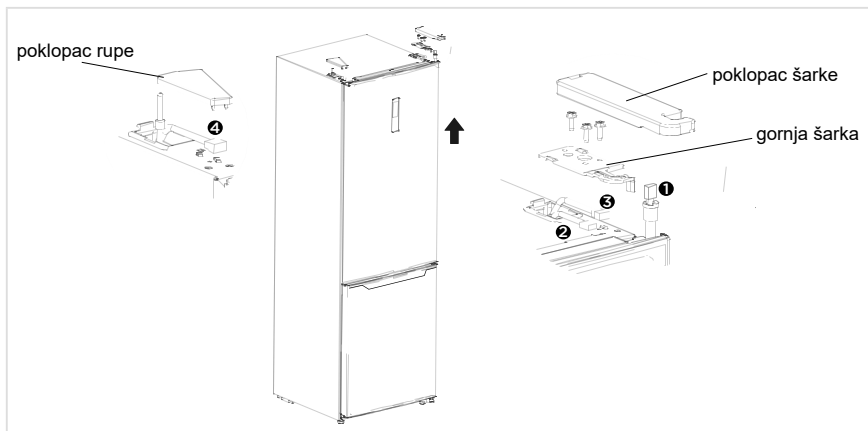
### Delovi koji se koriste za promenu strane otvaranja vrata

SN	Naziv	Broj	Napomene
1	Navlaka osovine	1	Unapred je postavljena na frižideru i treba da se koristi i tokom promene načina otvaranja vrata
2	Zavrtanj gornje šarke	1	
3	Desni odbojnik	1	Unapred je montirana na frižideru, uklanja se pri promeni strane otvaranja vrata i čuva se za kasniju upotrebu
4	Sklop poklopca šarke	1	
5	Preklopnik nosača	1	Unapred je postavljena na frižideru i treba da se koristi i tokom promene načina otvaranja vrata
6	Poklopac desne šarke	1	Unapred je montirana na frižideru, uklanja se pri promeni strane otvaranja vrata i čuva se za kasniju upotrebu
7	Gornja desna šarka	1	
8	Prilagodljiva nožica	1	Unapred je postavljena na frižideru i treba da se koristi i tokom promene načina otvaranja vrata
9	Pakovanje pribora	3	Gornja leva šarka/Poklopac gornje leve šarke/levi odbojnik
10	Sklop donje šarke	1	
11	Zavrtanj donje šarke	2	
12	Krajnja pokrivna ploča	1	Unapred je postavljena na frižideru i treba da se koristi i tokom promene načina otvaranja vrata
13	Poklopac rupe	1	

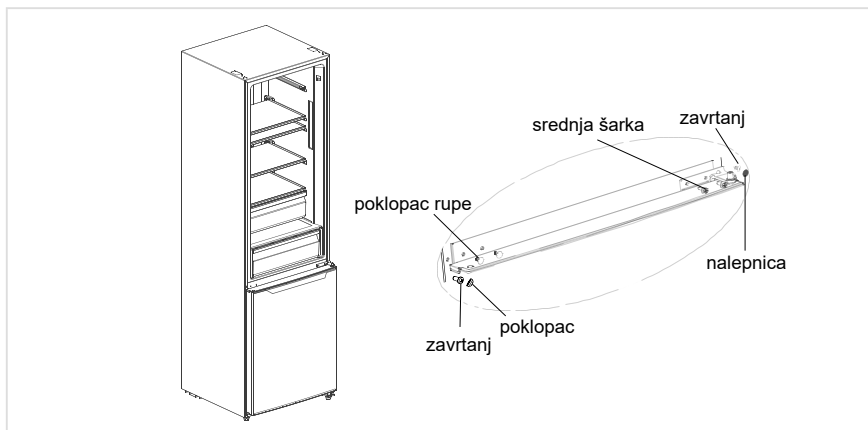


## Korak:

1. Isključite ovaj uređaj pre obavljanja ove radnje. Uklonite svu hranu sa polica u vratima. Pričvrstite vrata trakom.
2. Uklonite poklopac gornje šarke, zavrtnje i gornju šarku, a zatim i poklopac rupe za zavrtnj sa druge strane. Isključite žičani konektor sa desne strane vrha frižidera (1, 3 žičani konektor).

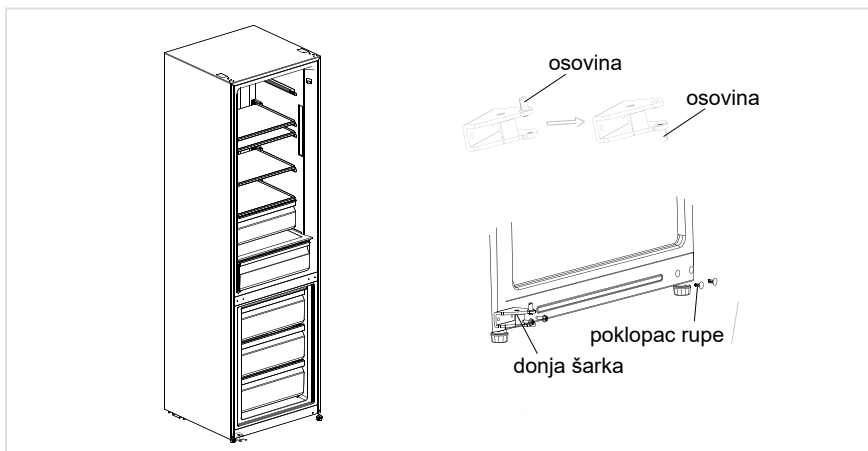


3. Skinite vrata komore za rashlađivanje kao i zavrtnje i poklopac zavrtnja, nalepnicu i srednju šarku, poklopac rupe.



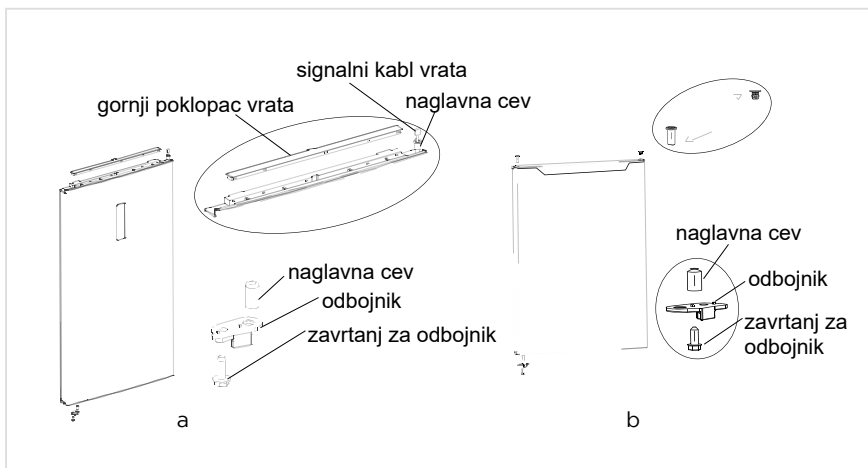
SR

4. Skinite vrata komore za zamrzavanje, skinite donju šarku, poklopce rupa. Postavite osovinu donje šarke na drugu stranu i postavite donju šarku na drugu stranu donje grede.

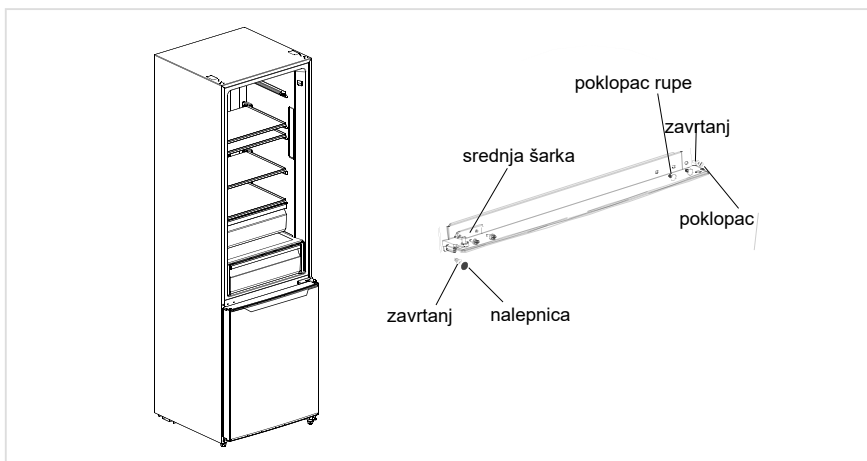


5. a) Uklonite gornji poklopac vrata komore za rashlađivanje, postavite navlaku gornje šarke i signalni kabl vrata sa druge strane, a zatim postavite gornji poklopac vrata. Skinite odbojnik i naglavnu cev sa donjeg desnog dela vrata komore za rashlađivanje, izvadite rezervni odbojnik (za vrata promenljivog smer) i montirajte naglavnu cev i rezervni odbojnik na levi donji deo vrata pomoću zavrtanja, postavite rukavac gornje šarke, signalni kabl vrata do druge strane i postavite gornji poklopac vrata.
- b) skinite odbojnik i naglavnu cev sa donjeg desnog dela vrata komore za zamrzavanje, izvadite još jedan rezervni odbojnik (za vrata promenljivog smer) i montirajte naglavnu cev i rezervni odbojnik na levi donji deo vrata pomoću zavrtanja. Skinite naglavnu cev i poklopce rupa sa vrata komore za zamrzavanje i montirajte ih sa druge strane.

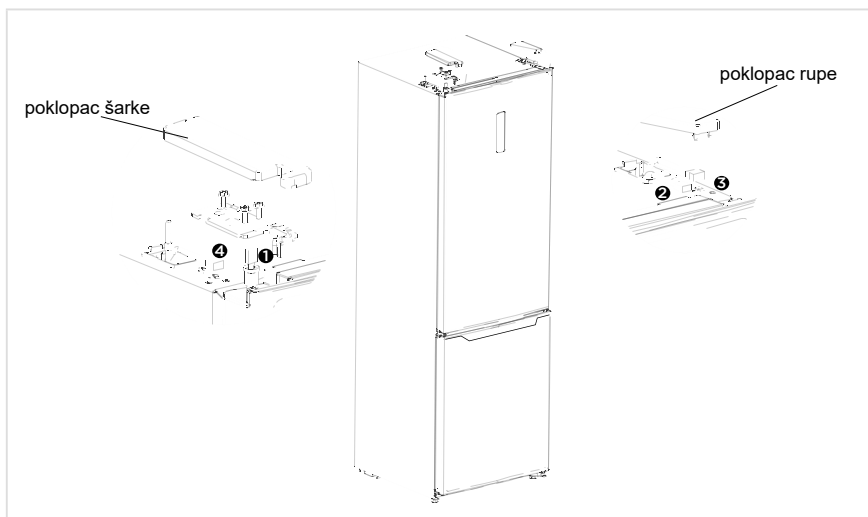
SR



6. Stavite vrata komore za zamrzavanje na donju šarku, postavite srednju šarku, poklopce rupa, poklopac zavrtnja i nalepnicu.



7. Izvadite levu gornju šarku, poklopac leve gornje šarke iz pakovanja za pribor. Stavite rashladna vrata na srednju šarku, postavite gornju šarku. Povežite priključak signalnog kabla 4 sa priključkom signalnog kabla 1, povežite priključak signalnog kabla 2 sa priključkom signalnog kabla 3, a zatim postavite poklopac gornje šarke i poklopac rupe.



SR

**PAŽNJA**

Slika iznad služi samo za referencu. Stvarna konfiguracija će zavisiti od kupljenog proizvoda ili izjave distributera.

## Postavljanje

- Pre upotrebe uklonite sve ambalažne materijale, uključujući uloške na dnu, penaste obloge i trake u frižideru; uklonite zaštitnu foliju na vratima i kućištu frižidera.
- Držite dalje od toplote i izbegavajte direktnu sunčevu svetlost. Ne stavljajte frižider na vlažna ili vodena mesta da biste sprečili rđanje ili smanjenje efekta izolacije.
- Ne prskajte po frižideru i ne perite ga; ne stavljajte frižider na vlažna mesta na kojima bi lako mogla voda da prska po njemu, jer bi to moglo da utiče na električnu izolovanost frižidera.
- Frižider treba da se postavi u dobro provetrenom zatvorenom prostoru; podloga mora biti ravna i čvrsta (okrećite levo ili desno da biste podesili točkić za nivelisanje ako je nestabilan).



## Stopice za nivelisanje

Da bi se izbegle vibracije, uređaj mora biti nivelisan.

Ako je potrebno, podesite zavrtnje za nivelisanje da biste kompenzovali neravan pod.

Prednji deo treba da bude nešto viši od zadnjeg da bi se lakše zatvorila vrata.

Zavrtnji za nivelisanje mogu lako da se okreću ako se kućište malo nagne.

Okrećite zavrtnje za nivelisanje suprotno smeru kazaljke na satu  da biste podigli uređaj ili u smeru kazaljke na satu  da biste ga spustili.

SR

## Premeštanje uređaja

1. Uklonite svu hranu iz unutrašnjosti uređaja.
2. Izvucite utikač za napajanje, umetnite i pričvrstite na kuku za utikač na zadnjoj strani ili na vrhu uređaja.
3. Zalepite delove kao što su police i ručka na vratima da ne bi pali dok premeštate uređaj.
4. Uređaj pažljivo premeštajte uz pomoć jedne ili više osoba. Kada transportujete uređaj na velike udaljenosti, uređaj mora biti u uspravnom položaju.
5. Nakon instaliranja uređaja, priključite utikač u utičnicu da biste uključili uređaj.

### PAŽNJA

Mere predostrožnosti pre početka upotrebe:

Pre nego što bilo šta promenite, morate da isključite frižider iz utičnice. Treba preduzeti mere predostrožnosti kako bi se sprečile bilo kakve telesne povrede.

## Zamena sijalica

- Svaka zamena ili održavanje LED sijalica je namenjena proizvođaču, njegovom servisnom zastupniku ili sličnoj kvalifikovanoj osobi. Ovaj proizvod sadrži izvor osvetljenja klase energetske efikasnosti <F>.

### Korak

1. Isključite strujni kabl iz utičnice pre zamene.
2. Skinite štitnik sijalice odvijačem.



3. Skinite panel sijalice.
4. Uklonite priključak.



## Povezivanje uređaja

Pre prvog puštanja u rad, držite frižider u mirovanju dva sata pre nego što ga priključite na napajanje.

### PAŽNJA

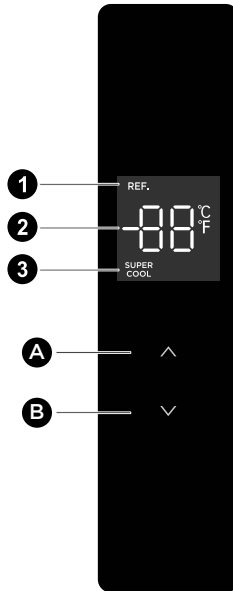
Pre stavljanja bilo kakve sveže ili zamrznute hrane, frižider treba da radi 2-3 sata, ili leti više od 4 sata kada je temperatura okoline visoka.

## Saveti za štednju energije

- Uređaj treba da se nalazi u najhladnijem delu prostorije, daleko od uređaja koji proizvode toplotu ili grejnih vodova, i van direktne sunčeve svetlosti.
- Ostavite tople namirnice da se ohlade na sobnu temperaturu pre stavljanja u uređaj. Preopterećenje uređaja dovodi do dužeg rada kompresora. Hrana koja se zamrzava suviše sporo može izgubiti kvalitet ili se pokvariti.
- Obavezno dobro umotajte hranu i obrišite posude pre nego što ih stavite u uređaj. Ovo smanjuje gomilanje leda unutar uređaja.
- Kutiju za skladištenje ne treba oblagati aluminijumskom folijom, voštanim papirom ili papirnim ubrusom. Obloge ometaju cirkulaciju hladnog vazduha, što čini uređaj manje efikasnim.
- Organizujte i označite hranu kako bi se smanjila česta otvaranja vrata i vreme traženja. Izvadite odjednom onoliko namirnica koliko je potrebno i zatvorite vrata što je pre moguće.

# UPUTSTVO ZA UPOTREBU

## Kontrolna tabla



SR

### PAŽNJA

Slika iznad služi samo za referencu. Stvarna konfiguracija će zavisiti od kupljenog proizvoda ili izjave distributera.

### Taster

A	Taster za povećanje temperature
B	Taster za smanjenje temperature

### Ekran

1	Ikona frižidera
2	Ikona za prikaz temperature
3	Ikona za superhlađenje

## Ekran

- Prilikom prvog uključivanja frižidera, ceo displej sija na 3 sekunde. Zatim panel displeja ulazi u normalni displej. Otvorena vrata uključeno svetlo displeja; Kada se vrata zatvore gasi se svetlo displeja. Pri prvom korišćenju frižidera, podrazumevana temperatura komore za rashlađivanje je 5 °C.
- Kada dođe do greške, panel ekrana prikazuje šifru greške. U suprotnom, panel ekrana prikazuje podešenu temperaturu.

## Podešavanje temperature

- Pritisnite taster za povećanje temperature „^“ može se podešavati temperatura, svaki klik na taster za povećanje temperature „^“, će podići podešenu temperaturu za 1 °C; Pritisnite taster za smanjenje temperature „v“ može se podešavati temperatura, svaki klik na taster za smanjenje temperature „v“, će smanjiti podešenu temperaturu za 1 °C; Temperaturni opseg komore za rashlađivanje je 2~8°C. Kada se temperatura podesi na graničnu vrednost, frižider će se oglasiti alarmom ako i dalje pritisnete taster za povećanje temperature „^“ ili taster za smanjenje temperature „v“.

## Podesite režim

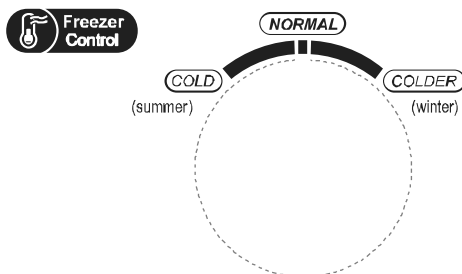
- Aktiviranje režima super-hlađenja: kad se temperatura frižidera podesi na 2 °C, pritisnite taster za smanjenje temperature „v“ da aktivirate režim super-hlađenja. U režimu super-hlađenja, temperatura u frižideru se automatski podešava na 2 °C.
- Isključivanje režima super-hlađenja: pritisnite taster za povećanje temperature „^“ da isključite režim super-hlađenja; osim toga, režim super-hlađenja se automatski isključuje posle 6 h. Nakon isključivanja režima super-hlađenja, temperatura u frižideru se automatski vraća na temperaturu podešenu pre upotrebe režima super-hlađenja.

SR

## Otvaranje kontrole alarma

- Ako se vrata ne zatvore za dva minuta, zvučno upozorenje se oglašava dok se vrata ne zatvore. Pritisnite bilo koje dugme da isključite zvučno upozorenje.

## Podešavanje temperature može izaći iz režima brzog hlađenja



## Kontrola temperature u komori za zamrzavanje

- Temperatura zamrzavanja je relativno niska u položaju „COLDER“ dok je temperatura zamrzavanja relativno visoka u položaju „COLD“, zato se obično koristi položaj „NORMAL“.
- Leti, kada je temperatura okoline visoka, temperatura treba biti u opsegu od „NORMAL“ do „COLD“. Ako je temperatura okoline iznad 35 °C, treba birati položaj „COLD“.
- Zimi, kada je temperatura okoline niska, temperatura treba biti u opsegu od „NORMAL“ do „COLDER“. Ako je temperatura okoline ispod 10 °C, treba birati položaj „COLDER“.

## Upozorenje na otvaranje i kontrola alarma

- Kada otvorite vrata frižidera, sviraće muzika za otvaranje vrata. Ako se vrata ne zatvore za dva minuta, zvučno upozorenje se oglašava dok se vrata ne zatvore. Pritisnite bilo koje dugme da isključite zvučno upozorenje.

## Indikator kvara

- Sledeća upozorenja koja se pojavljuju na ekranu ukazuju na odgovarajuće kvarove frižidera.
- Iako frižider i dalje može imati funkciju hlađenja sa sledećim smetnjama, korisnik treba da se obrati stručnjaku za održavanje radi održavanja da bi se obezbedio optimizovan rad uređaja.

Šifra kvara	Opis kvara
E1	Kvar senzora temperature komore za rashlađivanje
E2	Kvar senzora temperature komore za zamrzavanje
E3	Kvar senzora temperature komore za rashlađivanje
E5	Greška kola za detekciju senzora za odmrzavanje
E6	Greška u komunikaciji
E7	Greška senzora temperature okruženja



## Komora za rashlađivanje

- Frižider je pogodan za skladištenje raznih vrsta voća, povrća, pića i ostale hrane koja se konzumira u kratkom roku, preporučeno vreme skladištenja od 3 dana do 5 dana.
- Kuvana hrana se ne sme stavljati u frižider dok se ne ohladi na sobnu temperaturu.
- Preporučuje se da hranu zatvorite pre stavljanja u frižider.
- Staklene police mogu da se podignu ili spuste da bi se dobio odgovarajući prostor za odlaganje i jednostavnu upotrebu.

## Komora za zamrzavanje

- Zamrzivač na niskoj temperaturi može dugo vremena da održava hranu svežom i uglavnom se koristi za skladištenje zamrznute hrane i pravljenje leda.
- Zamrzivač je pogodan za skladištenje mesa, ribe, pirinčanih kuglica i ostale hrane koja se ne neće konzumirati u kratkom roku.
- Komade mesa je poželjno podeliti na manje komade radi bržeg zamrzavanja i jednostavnog pristupa. Imajte u vidu da hranu treba konzumirati u roku skladištenja.

## Fioka za hlađenje

- Pogodno za kraće vreme (1-3 dana) za konzumiranje sveže ribe, mesa, sveže hrane, itd.
- Blizu zadnjeg i donjeg dela fioke, hrana može biti zamrznuta, hrana koja nije zamrznuta se može postaviti.
- Preporučuje se klasifikacija hrane i hermetičko zatvaranje.

SR

### PAŽNJA

Napomena: Skladištenje previše hrane tokom rada, nakon prvog priključenja na napajanje može negativno da utiče na efekat zamrzavanja frižidera.

Redosled	TIP odeljka	Ciljna temp. za čuvanje [°C]	Pogodne namirnice
1	Frižider	+2 ~ +8	Jaja, kuvana hrana, upakovana hrana, voće i povrće, mlečni proizvodi, kolači, pića i druga hrana nisu pogodni za zamrzavanje.
2	(**)*-Zamrzivač	≤-18	Plodovi mora (riba, škampi, školjke), slatkovodni vodeni proizvodi i proizvodi od mesa (preporučuje se čuvanje do 3 meseca, što je duže vreme čuvanja, lošiji su ukus i hranljivost), pogodno za zamrznutu svežu hranu.
3	***-Zamrzivač	≤-18	Plodovi mora (riba, škampi, školjke), slatkovodni vodeni proizvodi i proizvodi od mesa (preporučuje se čuvanje do 3 meseca, što je duže vreme čuvanja, lošiji su ukus i hranljivost), pogodno za zamrznutu svežu hranu.
4	** -Zamrzivač	≤-12	Plodovi mora (riba, škampi, školjke), slatkovodni vodeni proizvodi i proizvodi od mesa (preporučuje se čuvanje do 3 meseca, što je duže vreme čuvanja, lošiji su ukus i hranljivost), pogodno za zamrznutu svežu hranu.
5	*-Zamrzivač	≤-6	Plodovi mora (riba, škampi, školjke), slatkovodni vodeni proizvodi i proizvodi od mesa (preporučuje se čuvanje do 3 meseca, što je duže vreme čuvanja, lošiji su ukus i hranljivost), pogodno za zamrznutu svežu hranu.
6	0 zvezdica	-6 ~ 0	Sveža svinjetina, govedina, riba, piletina, određena pakovana gotova i polugotova hrana itd. (preporučuje se konzumacija istog dana, po mogućstvu posle najviše 3 dana). Delimično enkapsulirana gotova i polugotova hrana (hrana koja se ne zamrzava).
7	Hlađenje	-2 ~ +3	Sveža/zamrznuta svinjetina, govedina, piletina, slatkovodni proizvodi itd. (7 dana ispod 0 °C, dok se pri čuvanju iznad 0 °C preporučuje konzumacija istog dana, po mogućstvu posle najviše 2 dana). Morski plodovi (niže od 0 °C u periodu od 15 dana, ne preporučuje se čuvanje iznad 0 °C).
8	Sveža hrana	0 ~ +4	Sveža svinjetina, govedina, riba, piletina, kuvana hrana itd. (preporučuje se konzumacija istog dana, po mogućstvu posle najviše 3 dana)
9	Vino	+5 ~ +20	Crveno vino, belo vino, penušavo vino itd.

## PAŽNJA

Čuvajte različite vrste namirnica u odgovarajućim pregradama ili u skladu sa ciljnom temperaturom skladištenja kupljenih proizvoda.

# ČIŠĆENJE I ODRŽAVANJE

## Opšte čišćenje

- Prašinu iza frižidera i na podu treba blagovremeno čistiti kako bi se povećao efekat hlađenja i ušteda energije.
- Redovno proveravajte zaptivku vrata da biste bili sigurni da nema otpada. Očistite zaptivku vrata mekom krpom koja je navlažena u sapunicu ili razblaženi deterdžent.
- Unutrašnjost frižidera treba redovno čistiti kako bi se izbegao neprijatan miris.
- Isključite struju pre čišćenja unutrašnjosti, uklonite svu hranu, pića, police, fioke, itd.
- Koristite meku krpu ili sunđer za čišćenje unutrašnjost frižidera, sa dve kašike sode bikarbone i litar tople vode. Zatim isperite vodom i obrišite. Nakon čišćenja otvorite vrata i pustite da se prirodno osuši pre uključivanja u struju.
- Za područja koja je teško očistiti u frižideru (poput uskih sendviča, praznina ili uglova), preporučuje se da ih redovno brišete mekom krpom, mekom četkom, itd. i po potrebi kombinujete sa nekim pomoćnim alatima (npr. tankim štapićima) kako bi se obezbedilo da se na tim područjima ne nakupljaju zagađivači ili bakterije.
- Ne koristite sapun, deterdžent, prašak za ribanje, sredstvo za čišćenje u spreju, itd., jer to može prouzrokovati neprijatne mirise u unutrašnjosti frižidera ili kontaminiranu hranu.
- Očistite okvir za flaše, police i fioke mekom krpom koja je navlažena u sapunicu ili razblaženi deterdžent. Osušite mekom krpom ili osušite prirodno.
- Obrišite spoljašnju površinu frižidera mekom krpom koja je navlažena sapunicom, deterdžentom, itd, a zatim je obrišite suvom krpom.
- Nemojte koristiti tvrde četke, čelične kuglice za čišćenje, žičane četke, abrazivna sredstva (kao što su paste za zube), organske rastvarače (kao što su alkohol, aceton, ulje banane, itd.), ključalu vodu, kisele ili alkalne predmete koji mogu da oštete površinu i unutrašnjost frižidera. Ključala voda i organski rastvarači, kao što je benzen, mogu deformisati ili oštetiti plastične delove.
- Tokom čišćenja nemojte ispirati direktno vodom ili drugim tečnostima da biste izbegli kratak spoj ili uticali na električnu izolaciju nakon potapanja.

SR

## PAŽNJA

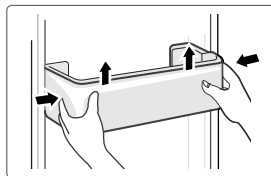
Isključite frižider radi odmrzavanja i čišćenja.

## Odmrzavanje

- Frižider je napravljen po principu hlađenja vazduha i zato ima funkciju automatskog odmrzavanja. Mraz koji se formira zbog promene godišnjeg doba ili temperature može i ručno da se ukloni isključivanjem uređaja sa napajanja ili brisanjem suvim peškirom.

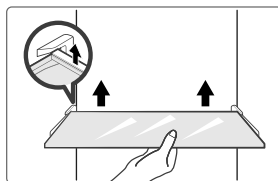
## Čišćenje police za vrata

- Prema strelici smera na donjoj slici, sa obe ruke gurnite policu nagore, a zatim je možete izvaditi.
- Nakon pranja police koju ste izvadili, možete da podesite njenu visinu postavljanja prema svojim potrebama.



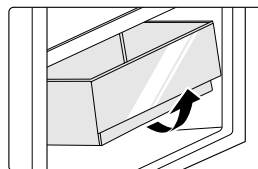
## Čišćenje staklene police

- Kako najdublji unutrašnji deo podloge frižidera gde kontakt sa policama ima graničnik, morate da podignete police nagore, a zatim ih možete izvaditi.
- Podesite ili očistite police prema vašim potrebama.



## Čišćenje fiokice za povrće

1. Uklonite sadržaj fiokice. Držite ručku fiokice za povrće i izvucite je do kraja dok se ne zaustavi.
2. Podignite fioku za povrće i uklonite je izvlačenjem.



SR

## Prestanak rada

### Nestanak struje:

U slučaju nestanka struje, čak i ako je to leti, hrana unutar uređaja može da se sačuva nekoliko sati; tokom nestanka struje, učestalost otvaranja vrata treba smanjiti i više ne stavljati svežu hranu u uređaj.

### Dugotrajno nekorišćenje:

Uređaj treba isključiti i zatim očistiti; zatim ostaviti vrata otvorena kako bi se sprečio neprijatan miris.

### Premeštanje:

Pre nego što premeštate frižider, izvadite sve predmete napolje, pričvrstite trakom staklene pregrade, držač povrća, fiokice zamrzivača i sl., a zatim zategnite stopice za nivelisanje; zatvorite vrata i pričvrstite ih trakom. Tokom premeštanja, uređaj ne sme da se postavlja naopako ili horizontalno, niti da se tresne; nagib tokom kretanja ne sme biti veći od 45°.

## PAŽNJA

Uređaj će neprekidno raditi nakon što se pokrene. U načelu, rad uređaja ne sme da se prekida jer se u suprotnom njegov radni vek može smanjiti.

# REŠAVANJE PROBLEMA

Sledeće jednostavne probleme može da reši korisnik. Ukoliko u tome ne uspete, pozovite postprodajno servisno odeljenje.

Problem	Mogući razlog
Uređaj ne radi	• Proverite da li je uređaj priključen na napajanje ili da li je utikač dobro priključen
	• Proverite da li je napon prenizak
	• Proverite da li postoji prekid napajanja ili isključenje delimičnih kola
Miris	• Hranu koja odaje miris treba dobro umotati
	• Proverite da li ima trulih namirnica
	• Očistite unutrašnjost frižidera
Dugotrajni rad kompresora	• Dugotrajni rad frižidera je normalan leti kada je temperatura okoline visoka
	• Ne stavljajte previše hrane u uređaj odjednom
	• Hrana treba da se ohladi pre stavljanja u uređaj
	• Vrata se prečesto otvaraju
Svetlo se ne pali	• Proverite da li je frižider priključen na napajanje i da li je svetlo oštećeno
	• Neka svetlo zameni obučena osoba
Vrata se ne mogu dobro zatvoriti	• Ambalaža namirnica blokira vrata
	• Frižider je nagnut.
Jaka buka	• Proverite da li je pod ravan i da li je frižider stabilno postavljen
	• Proverite da li je dodatna oprema pravilno postavljena

SR

Problem	Mogući razlog
Zaptivka vrata nije čvrsta	<ul style="list-style-type: none"> <li>• Uklonite strane materije na zaptivki vrata</li> <li>• Zagrejte zaptivku vrata, a zatim je ohladite za obnovu (ili je izduvajte električnim sušačem ili koristite vrući peškir za zagrevanje)</li> </ul>
Posuda za vodu se preliva	<ul style="list-style-type: none"> <li>• U odeljku ima previše hrane ili skladištena hrana sadrži previše vode, što dovodi do odmrzavanja</li> <li>• Vrata nisu dobro zatvorena, što dovodi do stvaranja ledenih naslaga, zbog ulaska vazduha i povećanja vode zbog odmrzavanja</li> </ul>
Vruće kućište	<ul style="list-style-type: none"> <li>• Toplota se odvodi sa ugrađenog kondenzatora putem kućišta, što je uobičajeno. Kada se kućište pregreje zbog povišene temperature okruženja, prevelike količine uskladištene hrane ili isključivanja kompresora, obezbedite adekvatnu ventilaciju da biste poboljšali odvođenje toplote</li> </ul>
Površinska kondenzacija	<ul style="list-style-type: none"> <li>• Kondenzacija na spoljašnjoj površini i zaptivkama vrata frižidera je normalna kad je vlažnost okoline prevelika. Dovoljno je da obrišete kondenzat čistim peškirom.</li> </ul>
Neuobičajeni zvuk	<ul style="list-style-type: none"> <li>• Zujanje: Kompresor može da proizvodi zujanje tokom rada, a zujanje je glasno, posebno prilikom pokretanja ili zaustavljanja. To je normalno.</li> <li>• Škripa: Rashladno sredstvo koje teče unutar uređaja može da proizvodi škripu, što je normalno.</li> </ul>

# DODATAK

## Posebno za novi evropski standard

Poručene delove navedene u sledećoj tabeli možete nabaviti od dobavljača usluga

Naručeni deo	Dostavlja	Minimalno vreme potrebno za pružanje usluge
Termostati	Stručno osoblje za održavanje	Najmanje 7 godina od stavljanja poslednjeg modela na tržište
Senzori temperature	Stručno osoblje za održavanje	Najmanje 7 godina od stavljanja poslednjeg modela na tržište
Štampane ploče	Stručno osoblje za održavanje	Najmanje 7 godina od stavljanja poslednjeg modela na tržište
Izvori osvetljenja	Stručno osoblje za održavanje	Najmanje 7 godina od stavljanja poslednjeg modela na tržište
Ručice vrata	Profesionalni serviseri i krajnji korisnici	Najmanje 7 godina od stavljanja poslednjeg modela na tržište
Šarke vrata	Profesionalni serviseri i krajnji korisnici	Najmanje 7 godina od stavljanja poslednjeg modela na tržište
Police	Profesionalni serviseri i krajnji korisnici	Najmanje 7 godina od stavljanja poslednjeg modela na tržište
Korpe	Profesionalni serviseri i krajnji korisnici	Najmanje 7 godina od stavljanja poslednjeg modela na tržište
Zaptivke vrata	Profesionalni serviseri i krajnji korisnici	Najmanje 10 godina od stavljanja poslednjeg modela na tržište

SR

## Poštovani kupci

1. Ako želite da vratite ili zamenite proizvod, kontaktirajte prodavnicu u kojoj ste kupovali. (Ne zaboravite da poneseite račun za kupovinu)
2. Ako se vaš proizvod pokvari i treba da se popravi, kontaktirajte pružaoca postprodajne usluge.

### PAŽNJA

Informacije o modelu u bazi podataka o proizvodima, kao i identifikator modela, mogu se saznati na linku koji se otvara kada se skenira QR kod na nalepnici o energetske efikasnosti na proizvodu.

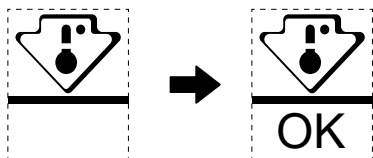
Za više informacija o energetske efikasnosti uređaja, posetite <https://ec.europa.eu> i pretražite koristeći naziv modela.

Naziv modela možete da pronađete na nalepnici uređaja.

## Najhladnija zona u frižideru

### OPCIJA: Indikator temperature OK

- Indikator temperature OK može da se koristi za određivanje temperatura ispod +4 °C. Postepeno smanjite temperaturu ako znak ne pokazuje „OK”.



- Da bi se održavala ujednačena temperatura u ovoj oblasti, nemojte menjati položaj police. Kod frižidera sa protokom vazduha (uređaji sa ventilatorom ili modeli „bez zaleđivanja”) simbola najhladnije zone nema jer je temperatura unutrašnjosti svuda ista.

### Indikator podešavanja temperature

- Da biste dobro podesili frižider, koristite indikator temperature koji prati prosečnu temperaturu u najhladnijoj zoni.
- UPOZORENJE: Ovaj indikator je projektovan tako da funkcioniše samo sa vašim frižiderom. Nemojte ga koristiti za druge frižidere (najhladnija zona nije ista) niti u druge svrhe.

### Provera temperature u najhladnijoj zoni

- Pomoću indikatora temperature možete redovno da proveravate da li je temperatura u najhladnijoj zoni ispravna. Unutrašnja temperatura frižidera zavisi od nekoliko činilaca, kao što su temperatura okruženja u prostoriji, količina hrane u uređaju i učestalost otvaranja vrata. Uzmite ove činioce u obzir kada podešavate uređaj.
- Kada se na indikatoru pokaže „OK”, to znači da je termostat dobro podešen i da je unutrašnja temperatura ispravna.
- Ukoliko indikator temperature postane BEO, to znači da je temperatura previsoka. U tom slučaju postavite podešavanje temperature frižidera na višu vrednost i sačekajte 12 sati, a zatim ponovo vizuelno proverite indikator. Kada u uređaj stavite sveže namirnice ili ostavite otvorena vrata, moguće je da će indikator temperature postati BEO posle nekog vremena.



## **PISMO ZAHVALNOSTI**

Hvala što ste odabrali Midea! Prije korištenja vašeg novog Midea proizvoda, molimo vas da pažljivo pročitate ovaj priručnik kako biste bili sigurni da znate kako na siguran način rukovati značajkama i funkcijama koje ima vaš novi uređaj.

# SADRŽAJ

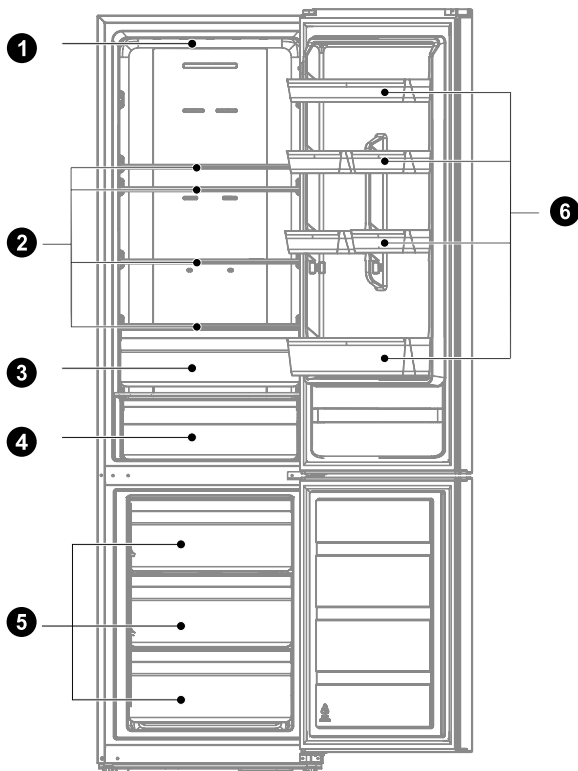
<b>PISMO ZAHVALNOSTI</b> .....	01
<b>TEHNIČKI PODACI</b> .....	02
<b>PREGLED PROIZVODA</b> .....	03
<b>POSTAVLJANJE PROIZVODA</b> .....	04
<b>UPUTE ZA RAD</b> .....	12
<b>ČIŠĆENJE I ODRŽAVANJE</b> .....	17
<b>RJEŠAVANJE PROBLEMA</b> .....	19
<b>DODATAK</b> .....	21

# TEHNIČKI PODACI

<b>Model proizvoda</b>	<b>MDRB489FGE</b>
Zapremina odjeljka za čuvanje svježih namirnica	247 L
Zapremina odjeljka za čuvanje zamrznutih namirnica	83 L
Način odmrzavanja	Automatsko odmrzavanje
Vrijeme trajanja porasta temperature	8 h
Kapacitet Zamrzavanja	4 kg/24 h
Nazivni napon/frekvencija	220-240V-/50Hz
Nazivni napon	0,7 A
Ukupne dimenzije (V x Š x D)	2010x595x635 mm

# PREGLED PROIZVODA

## Nazivi komponenti



1 LED svjetlost

2 Polica

3 Kutija za voće i povrće

4 Ladica za hlađenje

5 Ladica

6 Ladica za vrata

### ● PAŽNJA

Gornja slika služi samo za orijentaciju. Stvaran izgled ovisi o fizičkom proizvodu ili izjavi distributera.

# POSTAVLJANJE PROIZVODA

## Upute za instalaciju

### Za uređaje za hlađenje s klimatskom klasom

- Ovisno o klimatskoj klasi, ovaj rashladni uređaj namijenjen je za korištenje pri temperaturama okoline kako je navedeno u sljedećoj tablici.
- Klimatska klasa je otisnuta na tipskoj pločici. Uređaj možda neće ispravno raditi ako ga ostavite duže vrijeme na temperaturi izvan navedenog raspona.
- Klimatsku klasu možete pronaći na etiketi proizvoda.

### Učinkovit raspon temperature

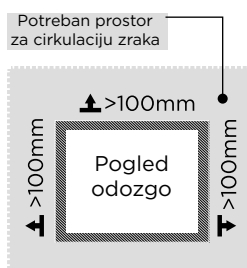
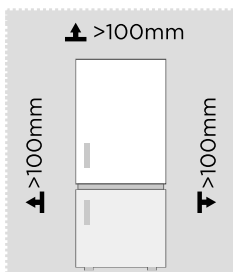
- Proizvod je dizajniran za normalan rad u temperaturnom rasponu specificiranom njegovom oznakom klase.

Razred	Simbol	Raspon temperature okoliša °C	
		IEC 62552 (ISO 15502)	ISO 8561
Umjeren u širem pojasu	SN	+ 10 do + 32	+ 10 do + 32
Umjeren	N	+ 16 do + 32	+ 16 do + 32
Suptropski	ST	+ 18 do + 38	+ 16 do + 38
Tropski	T	+ 18 do + 43	+ 16 do + 43

HR

### Dimenzije i razmaci

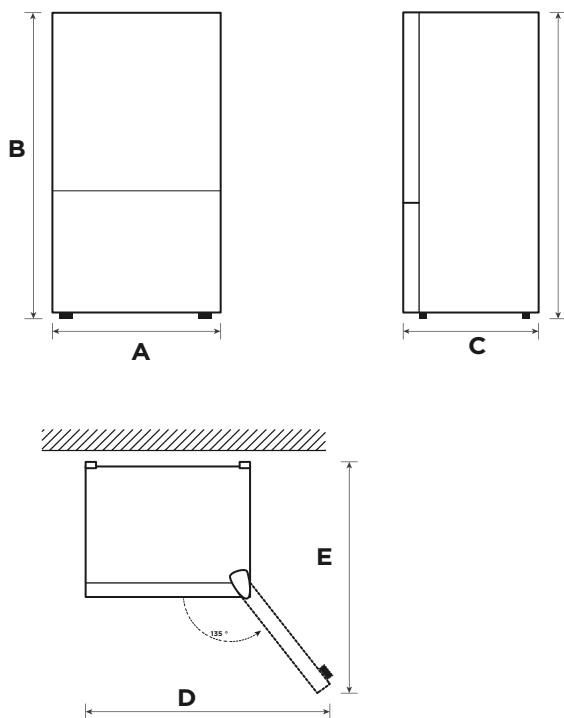
- Premala udaljenost od susjednih predmeta može rezultirati smanjenjem sposobnosti zamrzavanja i povećanim troškovima električne energije. Prilikom postavljanja uređaja ostavite više od 100 mm slobodnog prostora od svakog susjednog zida.



### PAŽNJA

Gornja slika služi samo za orijentaciju. Stvaran izgled ovisi o fizičkom proizvodu ili izjavi distributera.

Dijagram potrebnog prostora (kada su vrata otvorena i kada su vrata zatvorena)



HR

Širina	Ukupna visina	Dubina	Širina otvorenih vrata 135°	Dubina otvorenih vrata 135°
A	B	C	D	E
595	2010	635	1016	1186

OBAVIJEST: Sve dimenzije u mm

## Promjena smjera otvaranja vrata desno-lijevo (opcionalno)

Ovisno o mjestu na kojem planirate koristiti hladnjak, možda će vam biti prikladnije promijeniti položaj vrata.

### OPREZ

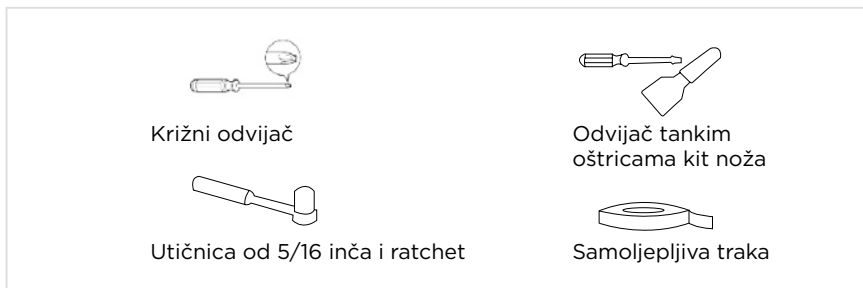
OPREZ: Kako biste izbjegli osobne ozljede ili oštećenja imovine, preporučujemo da vam netko pomogne tijekom procesa promjene smjera otvaranja vrata.

Priprema za promjenu položaja vrata

Trebat će vam: Standardni odvijač, križni odvijač i priloženi imbus ključ.

- Provjerite je li vaš hladnjak isključen i prazan.
- Neka vam netko pomogne.
- Sačuvajte sve dijelove koje ste uklonili za kasniju uporabu.

### Alat potreban za promjenu smjera otvaranja vrata:



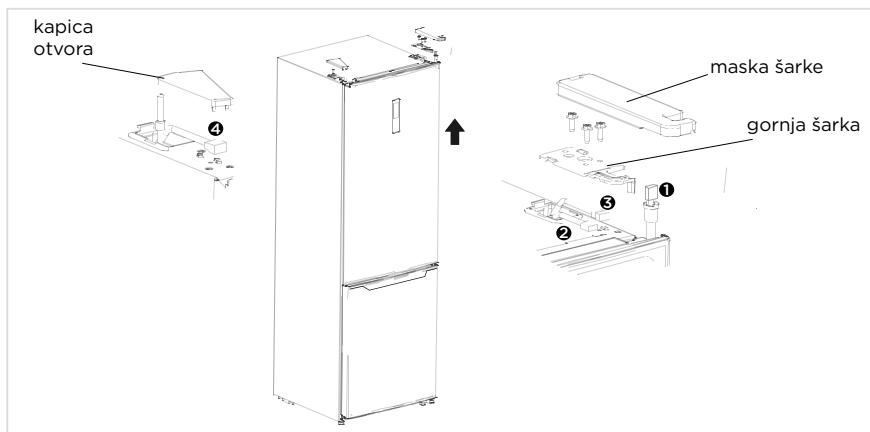
HR

### Dijelovi koji se koriste za zamjenu smjera zatvaranja vrata

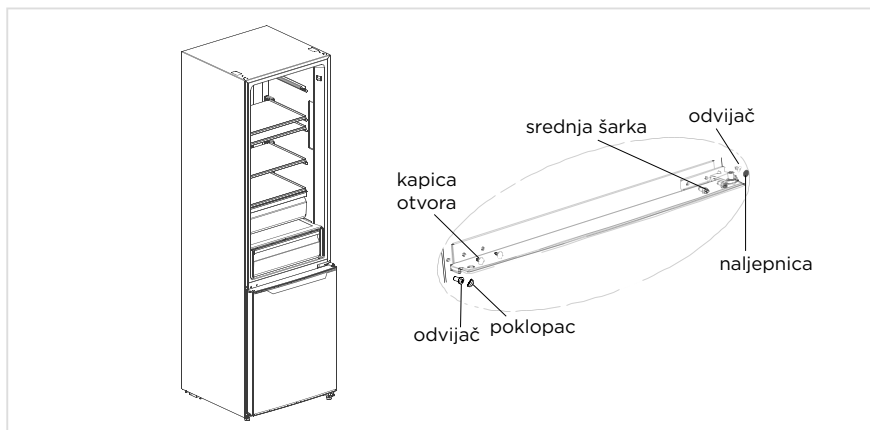
SN	Naziv	Broj	Primjedbe
1	Čahura osovine	1	Unaprijed instaliran na hladnjaku i koristi se prilikom zamjene vrata
2	Vijak gornje šarke	1	
3	Desni graničnik	1	Unaprijed instaliran na hladnjaku, uklanja se kada se vrata preokrenu i čuva za buduću uporabu
4	Maska šarke	1	
5	Prekidač na stupu	1	Unaprijed instaliran na hladnjaku i koristi se prilikom zamjene vrata
6	Maska desne šarke	1	Unaprijed instaliran na hladnjaku, uklanja se kada se vrata preokrenu i čuva za buduću uporabu
7	Desna gornja šarka	1	
8	Stopa za nivelisanje	1	Unaprijed instaliran na hladnjaku i koristi se prilikom zamjene vrata
9	Paket dodatnog pribora	3	Left upper hinge/Left upper hinge cover/Left stopper (Lijeva gornja šarka/Maska lijeve gornje šarke/Lijevi graničnik)
10	Sklop donjih šarki	1	
11	Vijak donje šarke	2	Unaprijed instaliran na hladnjaku i koristi se prilikom zamjene vrata
12	Završna pokrivna ploča	1	
13	Kapica otvora	1	

## Korak:

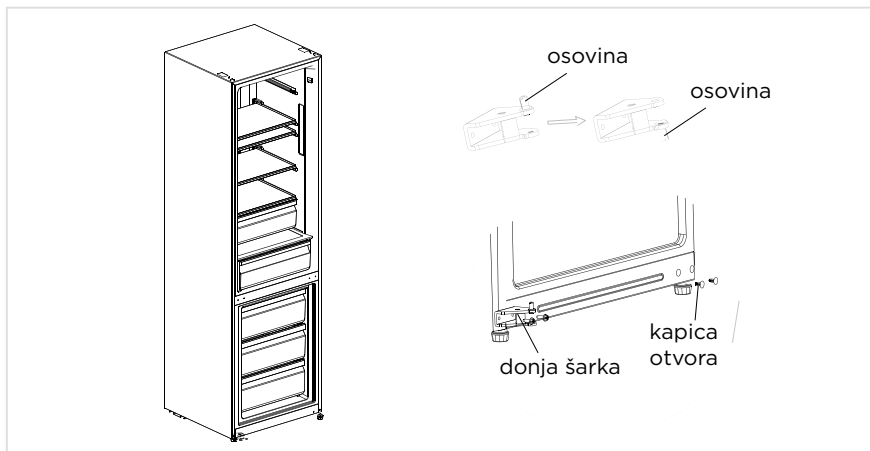
1. Isključite uređaj prije izvođenja ove radnje. Uklonite svu hranu s polica na vratima. Pričvrstite vrata vrpcama.
2. Uklonite masku sa gornje šarke, vijke i gornju šarku i uklonite kapicu otvora s druge strane. Isključite konektor ožičenja na desnoj strani gornje strane hladnjaka (1, 3 konektor za ožičenje) .



3. Skinite vrata hladnjaka, kao i vijke, kapice vijaka, naljepnicu i srednju šarku, masku otvora .



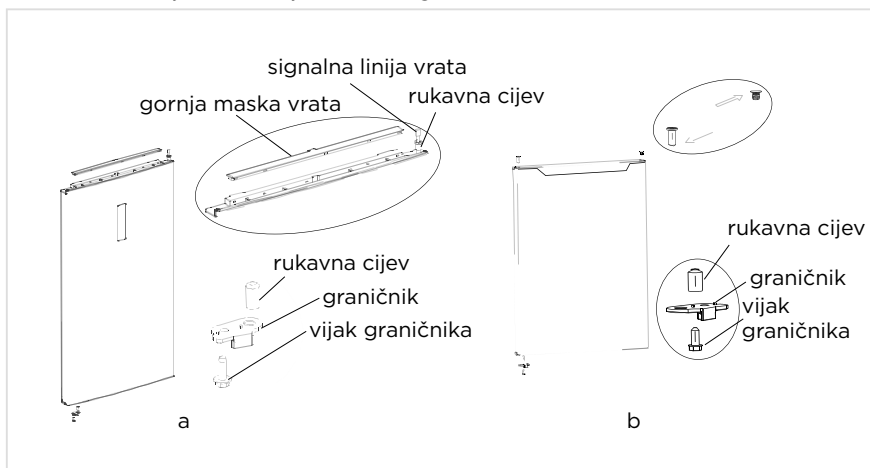
4. Skinite vrata komore za zamrzavanje, rastavite donju šarku, kapice otvora. Postavite osovinu donje šarke na drugu stranu i postavite donju šarku na drugu stranu donje grede.



5. a) Uklonite gornju masku vrata rashladne komore, umetnite gornju čahuru šarke, signalnu liniju vrata na drugu stranu i ugradite gornji poklopac vrata. Rastavite graničnik i rukavnu cijev s donjeg desnog dijela vrata komore za zamrzavanje, izvadite još jedan rezervni graničnik (za vrata koja se mogu okrenuti) i sastavite rukavnu cijev i rezervni graničnik na lijevom donjem dijelu vrata pomoću vijka, umetnite gornju čahuru šarke, signalnu liniju vrata na drugu stranu i postavite gornji poklopac vrata.

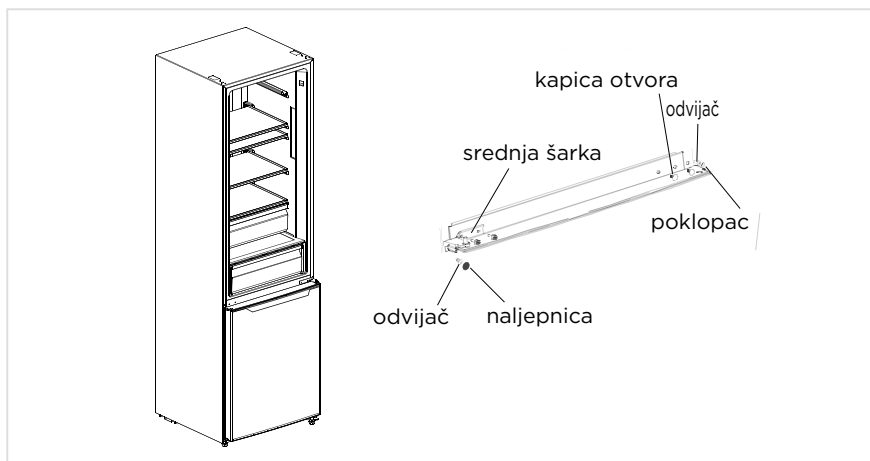
HR

- b) Rastavite graničnik i rukavnu cijev s donjeg desnog dijela vrata komore za zamrzavanje, izvadite još jedan rezervni graničnik (za vrata koja se mogu okrenuti) i sastavite rukavnu cijev i rezervni graničnik na lijevom donjem dijelu vrata pomoću vijka. Skinite rukavnu cijev i graničnike otvora na vratima komore za zamrzavanje i montirajte ih na drugu stranu.

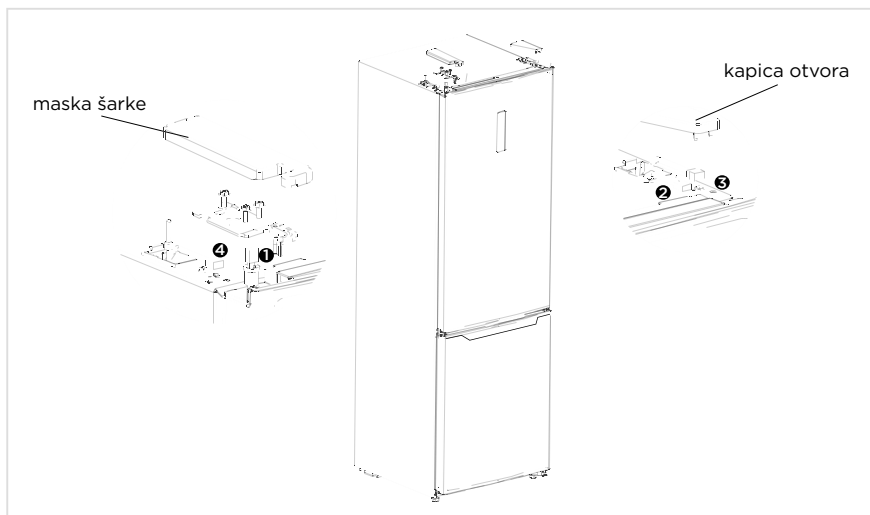




6. Stavite vrata komore za zmrzavanje na donju šarku, postavite srednju šarku, kapice otvora, poklopac za vijke i naljepnicu.



7. Izvadite lijevu gornju šarku, masku lijeve gornje šarke iz paketa dodatnog pribora. Stavite vrata rashladne komore na srednju šarku, postavite gornju šarku. Spojite terminal signalnog voda 4 s terminalom signalnog voda 1, spojite terminal signalnog voda 2 s terminalom signalnog voda 3. Postavite gornju masku šarke i kapicu otvora.



HR

**PAŽNJA**

Gornja slika služi samo za orijentaciju. Stvarna konfiguracija ovisit će o fizičkom proizvodu ili izjavi distributera.

## Postavljanje

- Prije uporabe uklonite sav materijal za pakiranje, uključujući donje jastuke, pjenaste jastučiće i vrpce unutar hladnjaka. Odljepite zaštitnu foliju s vrata i vanjskih dijelova hladnjaka.
- Držite hladnjak podalje od izvora topline i izbjegavajte izravnu sunčevu svjetlost. Zamrzivač nemojte stavljati na vlažna ili vodenasto mjesta kako biste spriječili hrđu ili smanjenje izolacijskog učinka.
- Nemojte prskati ili prati hladnjak; ne stavljajte hladnjak na vlažna mjesta lako se prskaju vodom kako ne bi utjecali na električna izolacijska svojstva hladnjaka.
- Hladnjak mora biti u zatvorenom prostoru s dobrom ventilacijom, na ravnoj i čvrstoj površini (rotirajte ulijevo ili udesno za podešavanje kotačića za izravnavanje ako je nestabilan).



## Noge za izravnavanje

Kako biste izbjegli vibracije, uređaj mora biti niveliran.

Ako je potrebno, podesite vijke za izravnavanje kako biste kompenzirali neravnine poda.

Prednja strana treba biti malo viša od stražnje kako bi se pomoglo pri zatvaranju vrata.

Vijci za niveliranje mogu se lako okrenuti laganim naginjanjem kućišta.

Okrenite vijke za niveliranje u smjeru suprotnom od kazaljke na satu  za podizanje jedinice, u smjeru kazaljke na satu  za spuštanje.

HR

## Premještanje aparata

1. Uklonite svu hranu iz unutrašnjosti uređaja.
2. Izvucite utikač, umetnite ga i pričvrstite u kuku za utikač na stražnjoj ili gornjoj strani uređaja.
3. Zalijepite dijelove kao što su police i ručka na vratima kako biste spriječili da otpadnu tijekom pomicanja uređaja.
4. Pažljivo premještajte uređaj s više od dvije osobe. Kada prenosite uređaj na velike udaljenosti, držite ga uspravno.
5. Nakon postavljanja uređaja, uključite utikač u utičnicu kako biste uključili uređaj.

## PAŽNJA

Mjere opreza prije operacije:

Prije izmjena hladnjak mora biti isključen iz struje. potrebno je poduzeti mjere opreza kako bi se spriječile bilo kakve osobne ozljede.

## Mijenjanje svjetla

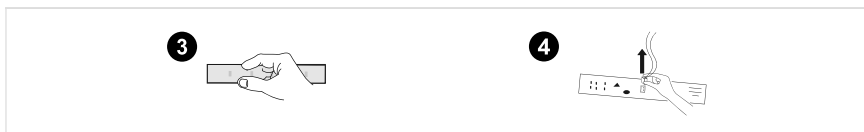
- Bilo koju zamjenu ili održavanje LED žarulja trebao bi izvršiti proizvođač, njegov servis ili slična kvalificirana osoba. Ovaj proizvod sadrži izvor svjetlosti razreda energetske učinkovitosti.

### Korak

1. Izvadite utikač prije uklanjanja.
2. Uklonite svjetiljku odvijačem.



3. Uklonite ploču žarulje.
4. Uklonite priključni terminal.



## Spajanje aparata

Prije prvog pokretanja sačekajte pola sata prije spajanja hladnjaka na napajanje.

### ● PAŽNJA

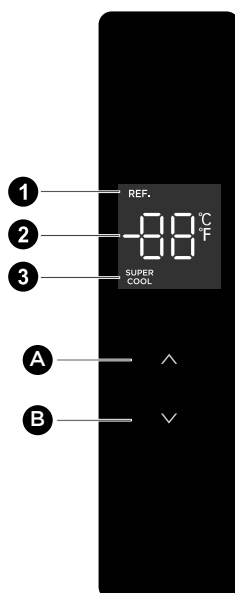
Prije stavljanja svježe ili smrznute hrane, hladnjak mora raditi 2-3 sata, ili dulje od 4 sata ljeti kada je temperatura okoline visoka.

## Savjeti za uštedu energije

- Uređaj bi trebao biti smješten u najhladnijem području prostorije, daleko od uređaja za proizvodnju topline ili cijevi za grijanje, te izvan izravnog sunčevog svjetla.
- Pustite da se topla hrana ohladi na sobnu temperaturu prije postavljanja u uređaj. Preopterećenje uređaja prisiljava kompresor da radi duže. Namirnice koje se smrzavaju presporo može izgubiti kvalitetu, ili pokvariti.
- Dobro zamotajte namirnice i prebrišite spremnike prije spremanja u hladnjak. Tako ćete smanjiti stvaranje inja unutar uređaja.
- Posuda za pohranjivanje u uređaju ne smije biti obložena aluminijskom folijom, voštanim papirom ili papirnatim ručnicima. Obloge ometaju cirkulaciju hladnog zraka, što uređaj čini manje učinkovitim.
- Organizirajte i označite hranu kako biste smanjili otvaranje vrata i duže pretrage. Uklonite što više stavki koliko je potrebno u jednom trenutku i zatvorite vrata što je prije moguće.

# UPUTE ZA RAD

## Upravljačka ploča



HR

### PAŽNJA

Gornja slika služi samo za orijentaciju. Stvarna konfiguracija ovisit će o fizičkom proizvodu ili izjavi distributera.

### Tipka za podešavanje

- |          |  |
|----------|--|
| <b>A</b> | Gumb za Temperature up (Povećanje temperature)   |
| <b>B</b> | Gumb za Temperature down (Smanjenje temperature) |

### Zaslona za prikaz

- |          |   |
|----------|---|
| <b>1</b> | Ikona Refrigerating (Hlađenja)                  |
| <b>2</b> | Ikona Temperature display (Prikaza temperature) |
| <b>3</b> | Ikona Super freezing (Super zamrzavanje)        |

## Zaslon

- Kada uključite hladnjak po prvi put, svi indikatori na zaslonu će zasvijetliti na 3 sekunde. Tada zaslon ulazi u uobičajeni prikaz rada. Uključeno svjetlo zaslona otvorenih vrata. Kada se vrata zatvore, svjetlo zaslona se gasi. Kod prvog korištenja hladnjaka, zadana temperatura rashladne komore je 5°C.
- Kada se pojavi pogreška, zaslon prikazuje kod pogreške. U suprotnom, zaslon prikazuje postavljenu temperaturu.

## Podešavanje temperature

- Pritisnite tipku za povećanje temperature „ $\Delta$ “ kako biste podesili temperaturu, svakim klikom na tipku za povećanje temperature „ $\Delta$ “, postavljena temperatura će se podići za 1°C. Pritisnite tipku za smanjenje temperature „ $\nabla$ “ kako biste podesili temperaturu, svakim klikom na tipku za smanjenje temperature „ $\nabla$ “, postavljena temperatura će se smanjiti za 1°C. Temperatura rashladne komore se može podesiti između 2-8°C. Kada je temperatura podešena na graničnu vrijednost, hladnjak će se oglasiti alarmom, ako je tipka za povećanje temperature „ $\Delta$ “ ili tipka za povećanje temperature „ $\nabla$ “ još uvijek pritisnuta.

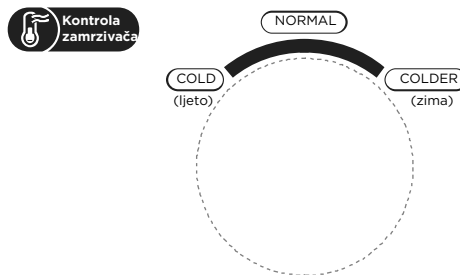
## Postavljanje načina rada

- Postavite način rada super hlađenja. Nakon što se temperatura u rashladnoj komori podesi na 2°C, pritisnite gumb za smanjenje temperature „ $\nabla$ “ za ulazak u način rada super hlađenja. U načinu Super cooling (super hlađenja), temperatura rashladne komore će se automatski postaviti na 2°C.
- Izadite iz načina rada super hlađenja, pritisnite gumb za povećanje temperature „ $\Delta$ “ za izlaz iz načina rada super hlađenja ili automatski izadite iz načina rada super hlađenja nakon 6 sati. Nakon izlaska iz režima Super cooling (super hlađenja), temperatura hladnjaka će se automatski vratiti na temperaturu koja je bila postavljena prije ulaska u način super hlađenja

## Kontrola alarma otvaranja vrata

- Ako se vrata ne zatvore u roku od dvije minute, zujalica će se oglašavati sve dok se vrata ne zatvore. Pritisnite bilo koju tipku da biste zaustavili alarm za zujalicu.

## Podešavanjem temperature možete izaći iz načina brzog hlađenja



## Kontrola temperature komore za zamrzavanje

- Temperatura smrzavanja je relativno niska u položaju „COLDER (HLADNIJE)“, dok je temperatura smrzavanja relativno visoka u položaju „COLD (HLADNO)“, stoga se općenito koristi položaj „NORMAL (NORMALNO)“.
- Kada je okolna temperatura ljeti visoka, temperatura mora biti podešena u rasponu od „NORMAL (NORMALNO)“ do „COLD (HLADNO)“. Ako je okolna temperatura iznad 35°C, tada će prevladati položaj „COLD (HLADNO)“.
- Kada je okolna temperatura zimi niska, temperatura mora biti u rasponu od „NORMAL (NORMALNO)“ do „COLDER (HLADNIJE)“. Ako je okolna temperatura ispod 10°C, tada će prevladati položaj „COLDER (HLADNIJE)“.

## Otvaranje upozorenja i kontrole alarma

- Kada otvorite vrata hladnjaka, svirat će glazba za otvaranje vrata. Ako se vrata ne zatvore u roku od dvije minute, aktivirat će se zvučni signal, sve dok vrata ne budu zatvorena. Pritisnite bilo koju tipku da biste zaustavili alarm za zujalicu.

## Oznaka kvara

- Sljedeća upozorenja koja se pojavljuju na zaslonu ukazuju na odgovarajuće kvarove hladnjaka.
- Iako hladnjak i dalje može imati funkciju hladnog skladištenja sa sljedećim kvarovima, korisnik mora kontaktirati stručnjaka za održavanje radi održavanja kako bi osigurao optimiziran rad uređaja.

Šifra Kvara	Opis Kvara
E1	Kvar osjetnika temperature rashladne komore
E2	Kvar osjetnika temperature komore za zamrzavanje
E3	Kvar osjetnika temperature ladice za hlađenje
E5	Pogreška kruga detekcije senzora smrzavanja
E6	Pogreška u komunikaciji
E7	Pogreška osjetnika temperature okoline

## Rashladna komora

- Rashladna komora je prikladna za skladištenje raznovrsnog voća, povrća, pića i druge hrane koja se konzumira u kratkom roku. Preporučeno vrijeme skladištenja je 3 do 5 dana.
- Namirnice koje se kuhaju ne smiju se stavljati u rashladnu komoru dok se ne ohlade na sobnu temperaturu.
- Preporuča se da se namirnice zatvore prije stavljanja u hladnjak.
- Staklene police mogu se podesiti prema gore ili prema dolje za razumnu količinu prostora za pohranu i jednostavnu uporabu.

## Komora za zamrzavanje

- Komora za zamrzavanje na niskim temperaturama može dugo zadržati svježinu hrane i uglavnom se koristi za pohranu zamrznute hrane i izradu leda.
- Komora za zamrzavanje prikladna je za pohranu mesa, ribe, rižinih okruglica i drugih namirnica koje se ne konzumiraju u kratkom roku.
- Komade mesa poželjno je podijeliti na manje komadiće radi brzog zamrzavanja i lakšeg pristupa. Molimo, imajte na znanje da se hrana konzumira unutar roka za policu.

## Ladica za hlađenje

- Pogodno kratkoročno (1-3 dana) za konzumaciju svježe ribe, svježeg mesa, svježe hrane itd.
- Blizu poledine i dna ladice hrana može biti zamrznuta. Ne stavljajte hranu koja se ne smije zamrzavati.
- Predlaže se razvrstavanje namirnica i brtvljenje pakiranja.

### PAŽNJA

Napomena: Ako u zamrzivač nakon prvog spajanja napajanje stavite previše namirnica, to uvelike može smanjiti efikasnost zamrzavanja.

Serijski broj	Pretinci TIP	Ciljna temperatura pohrane [°C]	Prikladna hrana
1	Hladnjak	+2 - +8	Jaja, kuhana hrana, pakirana hrana, voće i povrće, mliječni proizvodi, kolači, pića i druga hrana nisu prikladni za zamrzavanje.
2	(***)*-Zamrzivač	≤-18	Morski plodovi (riba, škampji, školjke), proizvodi iz slatkovodnih voda i mesni proizvodi (preporučeno 3 mjeseca, što je duže vrijeme skladištenja, to je lošiji okus i nutritivna vrijednost), prikladno za smrznutu svježu hranu.
3	***-Zamrzivač	≤-18	Morski plodovi (riba, škampji, školjke), proizvodi iz slatkovodnih voda i mesni proizvodi (preporučeno 3 mjeseca, što je duže vrijeme skladištenja, to je lošiji okus i nutritivna vrijednost), prikladno za smrznutu svježu hranu.
4	** -Zamrzivač	≤-12	Morski plodovi (riba, škampji, školjke), proizvodi iz slatkovodnih voda i mesni proizvodi (preporučeno 3 mjeseca, što je duže vrijeme skladištenja, to je lošiji okus i nutritivna vrijednost), prikladno za smrznutu svježu hranu.
5	*-Zamrzivač	≤-6	Morski plodovi (riba, škampji, školjke), proizvodi iz slatkovodnih voda i mesni proizvodi (preporučeno 3 mjeseca, što je duže vrijeme skladištenja, to je lošiji okus i nutritivna vrijednost), prikladno za smrznutu svježu hranu.
6	0 zvjezdica	-6 - 0	Svježa svinjetina, govedina, riba, piletina, određena zapakirana prerađena hrana, itd. (Preporučuje se pojesti unutar istog dana, po mogućnosti ne duže od 3 dana). Djelomično inkapsulirana prerađena hrana (hrana koja se ne može zamrzavati).
7	Hlađenje	-2 - +3	Svježa/smrznuta svinjetina, govedina, piletina, proizvodi iz slatkovodnih voda, itd. (7 dana ispod 0°C i iznad 0°C preporučuje se konzumacija unutar tog dana, po mogućnosti ne više od 2 dana). Plodovi mora (manje od 0 za 15 dana, ne preporučuje se čuvanje iznad 0°C.
8	Svježa hrana	0 - +4	Svježa svinjetina, govedina, riba, piletina, kuhana hrana, itd. (preporučuje se pojesti unutar istog dana, po mogućnosti ne duže od 3 dana)
9	Vino	+5 -+20	Crno vino, bijelo vino, pjenušac itd.

HR

## PAŽNJA

pohranite različite namirnice u skladu s odjeljcima ili ciljanom temperaturom skladištenja kupljene hrane



# ČIŠĆENJE I ODRŽAVANJE

## Generalno čišćenje

- Prašinu iza hladnjaka i s poda treba redovito uklanjati kako bi se poboljšao učinak hlađenja i uštedjela energija.
- Redovito provjeravajte jesu li brtve vrata čiste. Brtvu vrata očistite mekanom krpom navlaženom sapunicom ili razrijeđenim deterdžentom.
- Unutrašnjost hladnjaka treba redovito čistiti kako bi se izbjegao neugodan miris.
- Prije čišćenja unutrašnjosti isključite hladnjak s napajanja, uklonite svu hranu, piće, police, ladice itd.
- Očistite hladnjak iznutra mekanom krpom ili spužvom umočenom u otopinu dvije žlice sode bikarbone i četvrt litre vode. Zatim isperite vodom i obrišite. Nakon čišćenja otvorite vrata i pustite da se prirodno osuše prije uključivanja napajanja.
- Teže dostupna mjesta u hladnjaku (npr. otvore, kutove i slično) redovito čistite mekanom krpom, mekanom četkom i slično, a kad je potrebno, upotrijebite pomagala poput drvenih štapića) kako se u tim dijelovima ne bi nakupljala nečistoća ili bakterije.
- Nemojte koristiti sapun, deterdžent, prašak za ribanje, sredstvo za čišćenje u spreju itd., jer oni mogu uzrokovati mirise u unutrašnjosti hladnjaka ili kontaminirati hranu.
- Policu za boce, druge police i ladice čistite mekanom krpom navlaženom vodom sa sapunicom ili razrijeđenim deterdžentom. Osušite mekanom krpom ili prirodno osušite.
- Vanjske površine hladnjaka prebrišite mekanom krpom navlaženom vodom sa sapunicom ili razrijeđenim deterdžentom, potom osušite.
- Nemojte koristiti tvrde četke, čiste čelične kuglice, žičane četke, abrazive (poput pasta za zube), organska otapala (poput alkohola, acetona, ulja od banane itd.), kipuću vodu, kisele ili alkalna sredstva, koja mogu oštetiti vanjske i unutarnje površine hladnjaka. Kipuća voda i organska otapala kao što je benzen mogu deformirati ili oštetiti plastične dijelove.
- Tijekom čišćenja nemojte ispirati direktno vodom ili drugim tekućinama kako ne bi došlo do kratkog spoja ili oštećenja električnog sklopa.

## PAŽNJA

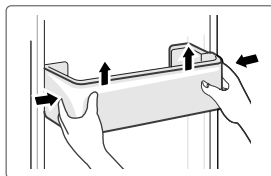
Isključite hladnjak za odmrzavanje i čišćenje.

## Odmrzavanje

- Hladnjak je napravljen na principu zračnog hlađenja, te stoga ima funkciju automatskog odmrzavanja. Mraz formiran zbog promjene sezone ili temperature također se može ručno ukloniti odvajanjem uređaja iz napajanja ili brisanjem suhom ručnikom.

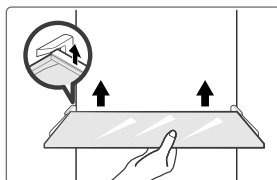
## Čišćenje nosača vrata

- Prema strelici za smjer na donjoj slici, objema rukama stisnite ladicu i gurnite je prema gore, a zatim je izvadite.
- Nakon što ste izvadili ladicu, možete podesiti njenu visinu u skladu sa svojim zahtjevima.



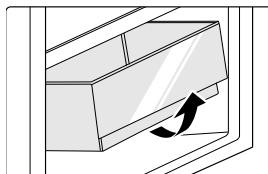
## Čišćenje nosača vrata

- Budući da unutarnji dio hladnjaka koji je u kontaktu s policama ima povratni graničnik, podignite police prema gore, a zatim ih izvadite.
- Prilagodite ili očistite police prema svojim zahtjevima.



## Čišćenje ladice za povrće

1. Izvadite sadržaj ladice. Držite ručku ladice za povrće i potpuno je izvucite dok se ne zaustavi.
2. Podignite ladicu za povrće i izvadite je izvlačenjem.



HR

## Van pogona

### Prekid napajanja:

U slučaju nestanka struje, čak i ako je ljeti, hrana unutar uređaja može se čuvati nekoliko sati; tijekom nestanka struje, vrijeme otvaranja vrata se smanjuje i više svježe hrane ne smije se stavljati u uređaj.

### Dugotrajna neuporaba:

Uređaj se mora isključiti, a zatim očistiti; zatim su vrata otvorena kako bi se spriječio miris.

### Premještanje:

Prije premještanja hladnjaka, izvadite sve predmete iznutra, fiksirajte staklene pregrade, držač povrća, ladice komore za zamrzavanje i sl. Trakom i zategnite noge za izravnavanje; zatvorite vrata i popravite ih trakom. Tijekom kretanja, aparat ne smije biti postavljen naopako ili vodoravno, niti treba vibrirati; nagib tijekom kretanja ne smije biti veći od 45 °.

### ● PAŽNJA

Uređaj mora stalno raditi jednom kad ga pokrenete. Općenito, rad uređaja ne smije biti prekinut, jer u protivnom može doći do smanjenja njegovog radnog vijeka.

# RJEŠAVANJE PROBLEMA

Sljedeće probleme može pokušati riješiti sam korisnik. Ako ne riješite probleme, nazovite servisnu službu.

Problem	Mogući razlog
Operacija nije uspjela	<ul style="list-style-type: none"><li>• Provjerite je li uređaj priključen na napajanje i je li utikač ima kontakt</li></ul>
	<ul style="list-style-type: none"><li>• Provjerite je li napon prenizak</li></ul>
	<ul style="list-style-type: none"><li>• Provjerite postoji li prekid napajanja ili je pregorio osigurač</li></ul>
Miris	<ul style="list-style-type: none"><li>• Namirnice intenzivnog mirisa valja zamotati</li></ul>
	<ul style="list-style-type: none"><li>• Provjerite ima li trulih namirnica</li></ul>
	<ul style="list-style-type: none"><li>• Očistite unutrašnjost uređaja</li></ul>
Dugogodišnji rad kompresora	<ul style="list-style-type: none"><li>• Dugotrajan rad hladnjaka je normalan ljeti pri visokim temperaturama</li></ul>
	<ul style="list-style-type: none"><li>• Nemojte pretrpavati hladnjak namirnicama</li></ul>
	<ul style="list-style-type: none"><li>• Hrana se mora ohladiti prije stavljanja u uređaj</li><li>• Prečesto otvaranje vrata</li></ul>
Svjetlo ne svijetli	<ul style="list-style-type: none"><li>• Provjerite je li hladnjak spojen na napajanje i je li žarulja oštećena.</li></ul>
	<ul style="list-style-type: none"><li>• Zamjenu svjetla prepustite stručnjaku</li></ul>
Vrata se ne mogu pravilno zatvoriti	<ul style="list-style-type: none"><li>• Namirnice blokiraju vrata</li></ul>
	<ul style="list-style-type: none"><li>• Hladnjak je nagnut.</li></ul>
Glasni zvukovi	<ul style="list-style-type: none"><li>• Provjerite je li pod ravan i je li hladnjak stabilno postavljen</li></ul>
	<ul style="list-style-type: none"><li>• Provjerite jesu li dijelovi hladnjaka pravilno postavljeni</li></ul>

Problem	Mogući razlog
Brtvila vrata ne uspijeva biti čvrsta	<ul style="list-style-type: none"> <li>• Uklonite strane materije sa brtve vrata</li> <li>• Zagrijte brtvu na vratima, a zatim je ohladite radi obnavljanja (zagrijati je možete sušilom za kosu ili vrućom krpom)</li> </ul>
Prelijeva se posuda za vodu	<ul style="list-style-type: none"> <li>• U komori ima previše namirnica ili pohranjene namirnice sadrže visok udio vode, što rezultira jakim odmrzavanjem</li> <li>• Vrata nisu dobro zatvorena, što rezultira smrzavanjem zbog ulaska zraka i povećanom količinom vode zbog odleđivanja</li> </ul>
Vruće kućište	<ul style="list-style-type: none"> <li>• Odvođenje topline ugrađenog kondenzatora kroz kućište, što je normalno. Kad se kućište zagrije zbog visoke temperature okoline, spremišta previše hrane ili isključivanja kompresora, osigurajte zvučnu ventilaciju kako biste olakšali odvođenje topline</li> </ul>
Kondenzacija površine	<ul style="list-style-type: none"> <li>• Kondenzacija na vanjskoj površini i brtvama vrata hladnjaka normalna je kad je okolna vlažnost previsoka. Samo obrišite kondenzat čistim ručnikom.</li> </ul>
Abnormalna buka	<ul style="list-style-type: none"> <li>• Zujanje: Kompresor može proizvesti zujati tijekom rada, a zujati su glasni posebno na početku ili zaustaviti. To je u redu.</li> <li>• Škripa: Rashladno sredstvo koje teče unutar uređaja može proizvesti škripanje, što je normalno.</li> </ul>

# DODATAK

## Posebno za novi europski standard:

Naručene dijelove u sljedećoj tabeli možete nabaviti preko kanala servis provajdera

Naručeni dio	Koje pruža	Minimalno vrijeme potrebno za obezbeđenje
Termostati	Stručno osoblje za održavanje	Najmanje 7 godina nakon pokretanja posljednjeg modela na tržištu
Senzori temperature	Stručno osoblje za održavanje	Najmanje 7 godina nakon pokretanja posljednjeg modela na tržištu
Tiskane pločice	Stručno osoblje za održavanje	Najmanje 7 godina nakon pokretanja posljednjeg modela na tržištu
Izvori svjetlosti	Stručno osoblje za održavanje	Najmanje 7 godina nakon pokretanja posljednjeg modela na tržištu
Ručke vrata	Profesionalni serviseri i krajnji korisnici	Najmanje 7 godina nakon pokretanja posljednjeg modela na tržištu
Šarnila vrata	Profesionalni serviseri i krajnji korisnici	Najmanje 7 godina nakon pokretanja posljednjeg modela na tržištu
Tacne	Profesionalni serviseri i krajnji korisnici	Najmanje 7 godina nakon pokretanja posljednjeg modela na tržištu
Korpe	Profesionalni serviseri i krajnji korisnici	Najmanje 7 godina nakon pokretanja posljednjeg modela na tržištu
Brtvila za vrata	Profesionalni serviseri i krajnji korisnici	Najmanje 10 godina nakon pokretanja posljednjeg modela na tržištu

HR

## Dragi kupče

1. Ako želite vratiti ili zamijeniti proizvod, kontaktirajte trgovinu u kojoj ste ga kupili. (Ne zaboravite ponijeti račun)
2. Ako se vaš proizvod pokvari i treba ga popraviti, kontaktirajte ovlaštenu servis.

## PAŽNJA

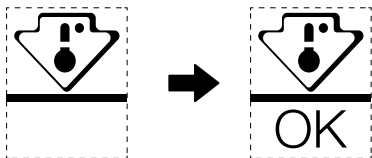
Informacije o modelu u bazi podataka proizvoda, kao i identifikator modela, mogu se dobiti putem web veze skenirane QR kodom, ako postoji, na etiketi energetske efikasnosti proizvoda. Za više informacija o energetske učinkovitosti uređaja posjetite <https://ec.europa.eu> i pretražite pomoću naziva modela

Naziv modela nalazi se na oznaci uređaja.

## Najhladnija zona u hladnjaku

### OPCIONO: OK-indikator temperature

- Indikator temperature OK može se koristiti za određivanje temperatura ispod +4°C. Postupno smanjite temperaturu ako znak ne pokazuje „OK“.



- Nemojte mijenjati položaj police, kako biste osigurali temperaturu u ovom području. Hladnjaci s pojačanim zrakom (opremljeni ventilatorom ili No Frost modeli), simbol najhladnije zone nije prikazan jer je unutrašnja temperatura homogena.

### Podešavanje indikatora temperature

- Kako biste lakše podesili svoj hladnjak, opremljen je indikatorom temperature koji će pratiti prosječnu temperaturu u najhladnijoj zoni.
- UPOZORENJE:** Ovaj indikator je namijenjen samo za rad s vašim hladnjakom, stoga ga nemojte koristiti u nekom drugom hladnjaku (najhladnija zona nije ista) ili za bilo koju drugu namjenu.

### Provjera temperature u najhladnijoj zoni

- Pomoću indikatora temperature možete redovito provjeravati je li temperatura najhladnije zone ispravno podešena. Uistinu, unutarnja temperatura hladnjaka ovisi o nekoliko čimbenika kao što su temperatura okoline u prostoriji, količina pohranjene hrane i učestalost otvaranja vrata. Uzmite u obzir ove faktore prilikom postavljanja uređaja.
- Kada indikator pokazuje «OK», to znači da je vaš termostat dobro podešen i da je unutarnja temperatura ispravna.
- Ako indikator temperature svijetli BIJELO, to znači da je temperatura previsoka. U tom slučaju povećajte postavku kontrole temperature hladnjaka i pričekajte 12 sati prije izvođenja novog vizualnog pregleda indikatora. Kada je unesena svježa hrana ili su vrata ostavljena otvorena, moguće je da indikator temperature nakon nekog vremena postane BIJEL.

## KÖSZÖNŐLEVÉL

Köszönjük, hogy a Midea-t választotta! Mielőtt használná az új Midea készülékét, kérjük, olvassa el figyelmesen ezt az útmutatót, hogy tudja, hogyan működtetheti biztonságosan az új készüléke által kínált funkciókat.

# TARTALOM

<b>KÖSZÖNŐLEVÉL</b> -----	01
<b>MŰSZAKI JELLEMZŐK</b> -----	02
<b>A TERMÉK ÁTTEKINTÉSE</b> -----	03
<b>A KÉSZÜLÉK ÜZEMBE HELYEZÉSE</b> -----	04
<b>ÜZEMELTETÉSI UTASÍTÁSOK</b> -----	12
<b>TISZTÍTÁS ÉS KARBANTARTÁS</b> -----	17
<b>HIBAELHÁRÍTÁS</b> -----	19
<b>MELLÉKLET</b> -----	21

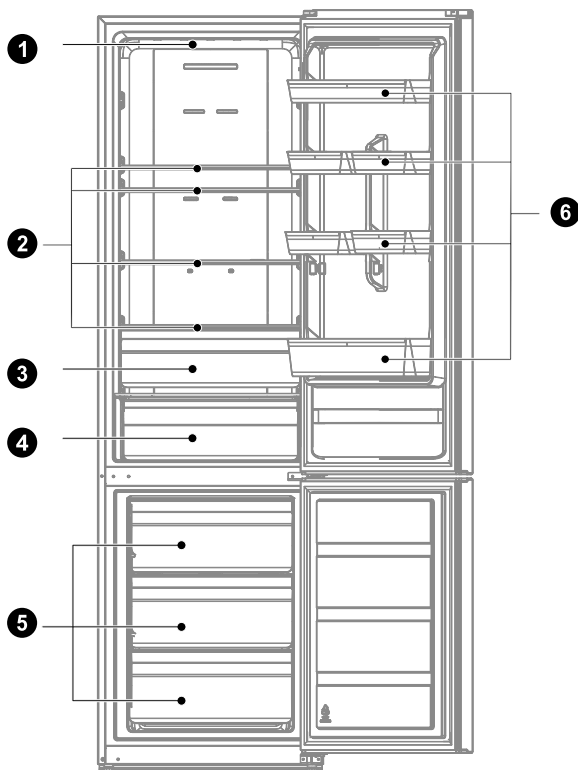
# MŰSZAKI JELLEMZŐK

<b>Terméktípus</b>	<b>MDRB489FGE</b>
Frissélelmiszer-rekesz térfogata	247 L
Fagyasztottélelmiszer-rekesz térfogata	83 L
Leolvastás típusa	Automatikus leolvastás
Hőmérséklet-emelkedési idő	8 óra
Fagyasztási kapacitás	4 kg/24 h
Névleges feszültség/frekvencia	220-240V~/50Hz
Névleges áramerősség	0,7 A
Teljes méret (M x H x Sz)	2010x595x635 mm



# A TERMÉK ÁTTEKINTÉSE

## Alkatrész neve



1 LED világítás

2 Polc

3 Zöldség- és gyümölcstároló

4 Fagyrekesz fiók

5 Fiók

6 Ajtórekesz

### ● FIGYELEM

A fenti ábra csak tájékoztató jellegű. A tényleges konfiguráció az adott terméktől vagy a forgalmazó terméknyilatkozatától függ.

HU

# A KÉSZÜLÉK ÜZEMBE HELYEZÉSE

## Üzembe helyezési utasítások

### Klímaosztállyal rendelkező hűtőgépekhez

- A klímaosztálytól függően ezt a hűtőkészüléket az alábbi táblázatban meghatározott környezeti hőmérséklettartományban kell használni.
- A klímaosztály a típustáblán található. Előfordulhat, hogy a termék nem működik megfelelően a meghatározott tartományon kívül.
- A klímaosztályt a termékcímkén találja.

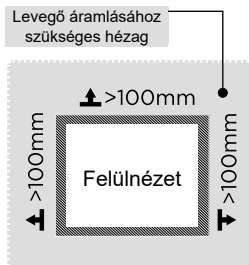
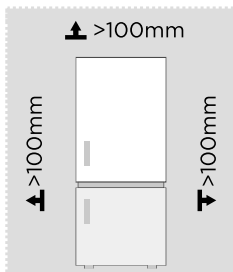
### Hatékony hőmérséklet-tartomány

- A terméket úgy alakították ki, hogy rendeltetésszerűen működjön az osztálybesorolásában meghatározott tartományban.

Osztály	Szimbólum	Környezeti hőmérsékleti tartomány °C	
		IEC 62552 (ISO 15502)	ISO 8561
Kiterjesztett mérsékelt	SN	+10 és +32 között	+10 és +32 között
Mérsékelt	N	+16 és +32 között	+16 és +32 között
Szubtrópusi	ST	+16 és +38 között	+18 és +38 között
Trópusi	T	+16 és +43 között	+18 és +43 között

### Méretetek és térközök

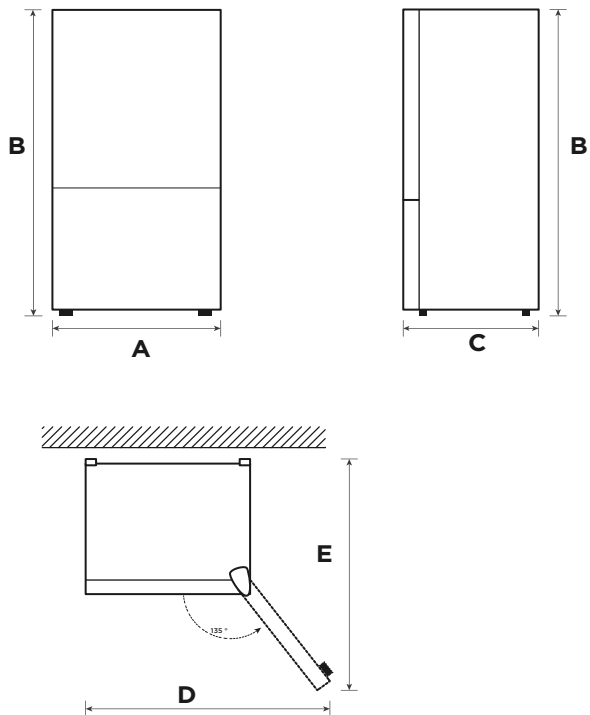
- Ha a termék túl közel van a környező tárgyakhoz, akkor romolhat a fagyasztási teljesítménye, és nőhet az áramfogyasztása. A készülék telepítésekor a készülék és a körülötte lévő összes falfelület között hagyjon legalább 100 mm-t.



### FIGYELEM

A fenti ábra csak tájékoztató jellegű. A tényleges konfiguráció az adott terméktől vagy a forgalmazó terméknyilatkozatától függ.

Ábra a helyigényről (nyitott és csukott ajtó mellett)



HU

Szélesség	Teljes magasság	Mélység	Szélesség 135°-ban nyitott ajtónál	Mélység 135°-ban nyitott ajtónál
A	B	C	D	E
595	2010	635	1016	1186

Figyelem: Az összes méret mm-ben van megadva

## Ajtó átfordítása jobbról balra (opcionális)

Attól függően, hogy hol kívánja használni a hűtőszekrényt, praktikus lehet átfordítani az ajtó helyzetét.

### VIGYÁZAT

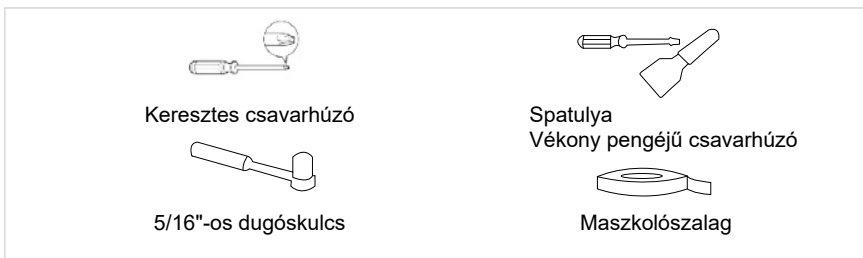
VIGYÁZAT: A személyi sérülés vagy anyagi kár elkerülése érdekében javasoljuk, hogy az ajtó átfordítását két személy végezze.

Az ajtó átfordításának előkészítése

A következőkre lesz szüksége: Egy normál csavarhúzó, egy csillagfejű csavarhúzó és a mellékelt imbuszkulcs.

- Ügyeljen rá, hogy a hűtőszekrény ne csatlakozzon az elektromos hálózathoz, és üres legyen.
- Kérjen meg valakit, hogy segítsen a művelet elvégzésében.
- Az összes eltávolított alkatrészt őrizze meg, hogy ismét fel tudja őket használni.

**Az ajtó átfordításához szükséges eszközök:**

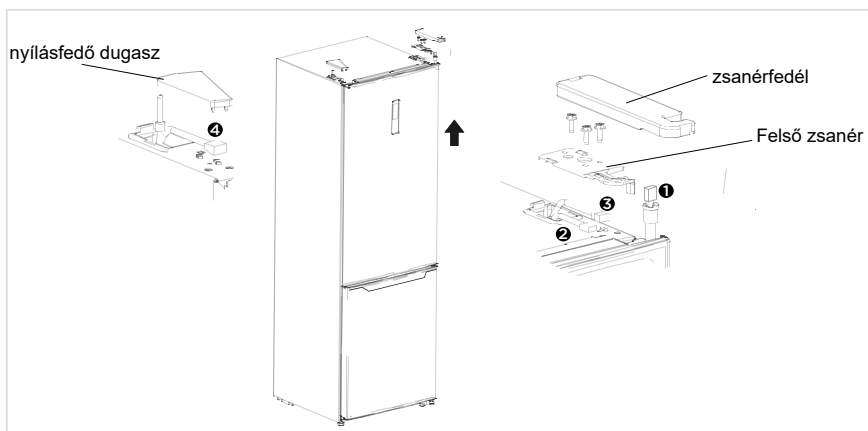


### Az ajtó átszereléséhez szükséges alkatrészek

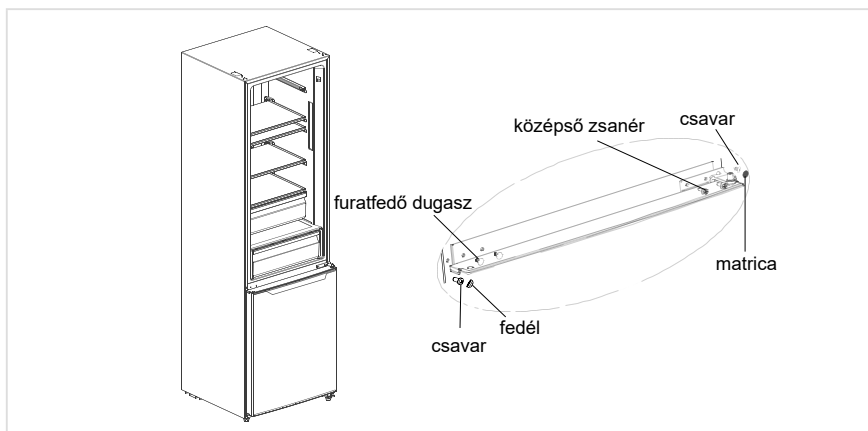
SN	Név	Szám	Megjegyzések
1	Tengelyhüvely	1	Előre a hűtőszekrényre szerelve. Az ajtó nyitási irányának megfordításakor is használandó
2	Felső zsanér csavar	1	
3	Jobb oldali ütköző	1	Előre telepítve a hűtőszekrényre, eltávolítva az ajtó megfordításakor, és megőrízve későbbi használatra
4	Csuklópántfedél szerelvény	1	
5	Oszlopkapcsoló	1	Előre a hűtőszekrényre szerelve. Az ajtó nyitási irányának megfordításakor is használandó
6	Jobb oldali zsanérfedél	1	Előre telepítve a hűtőszekrényre, eltávolítva az ajtó megfordításakor, és megőrízve későbbi használatra
7	Jobb felső zsanér	1	
8	Állítható talp	1	Előre a hűtőszekrényre szerelve. Az ajtó nyitási irányának megfordításakor is használandó
9	Tartozékcsomag	3	Bal felső zsanér/bal felső zsanérfedél/bal oldali ütköző
10	Alsó zsanérszerelvény	1	
11	Alsó zsanér csavar	2	Előre a hűtőszekrényre szerelve. Az ajtó nyitási irányának megfordításakor is használandó
12	Záró fedőlap	1	
13	Nyílásfedő dugasz	1	

## Lépés:

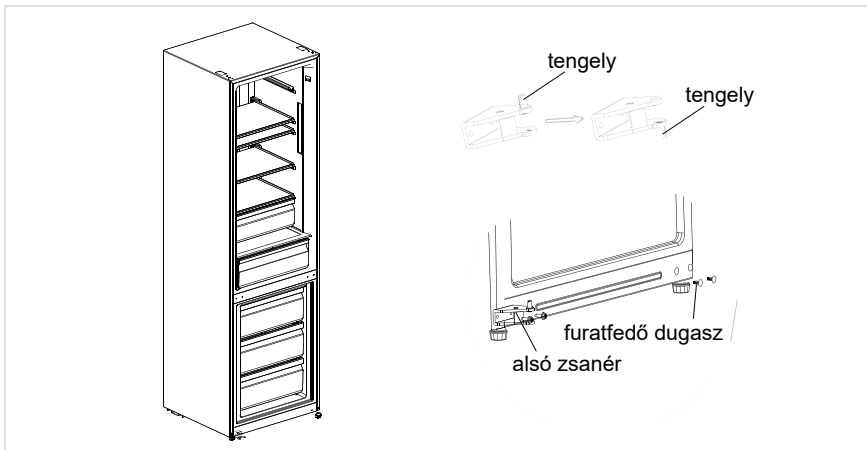
1. A művelet elvégzése előtt kapcsolja ki a berendezést. Távolítsa el minden élelmiszert az ajtópolcokról. Rögzítse az ajtót ragasztószalaggal.
2. Szerelje le a felső zsanérfedelelet, a csavarokat és a felső zsanért, majd távolítsa el a nyílásfedő dugaszt a másik oldalról. Húzza ki a vezetékcsatlakozót a hűtőszekrény jobb felső oldalán (1, 3 vezetékcsatlakozó).



3. Vegye le a hűtőtér ajtaját, valamint a csavarok csavarfedelét, a matricát és a középső zsanért, és a furatfedő dugaszt.

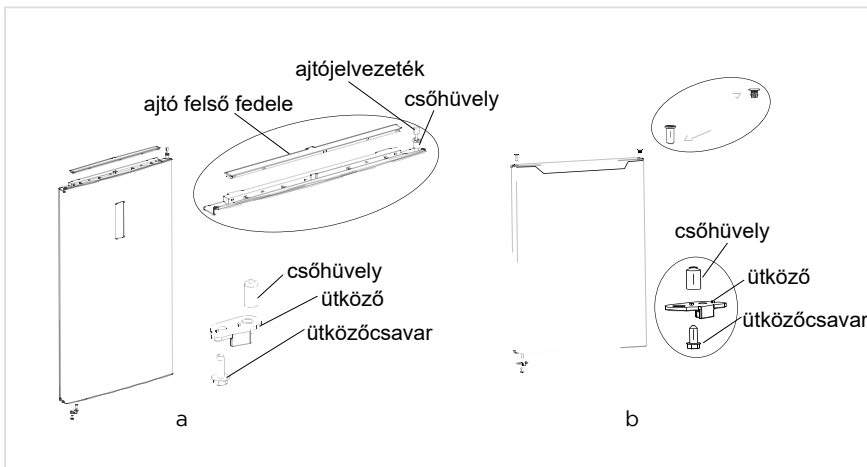


4. Vegye le a fagyasztórekesz ajtaját, szerelje le az alsó zsanért, a furatfedő dugaszt. Szerelje fel az alsó zsanér tengelyét a másik oldalra, és szerelje fel az alsó zsanért az alsó konzol másik oldalára.

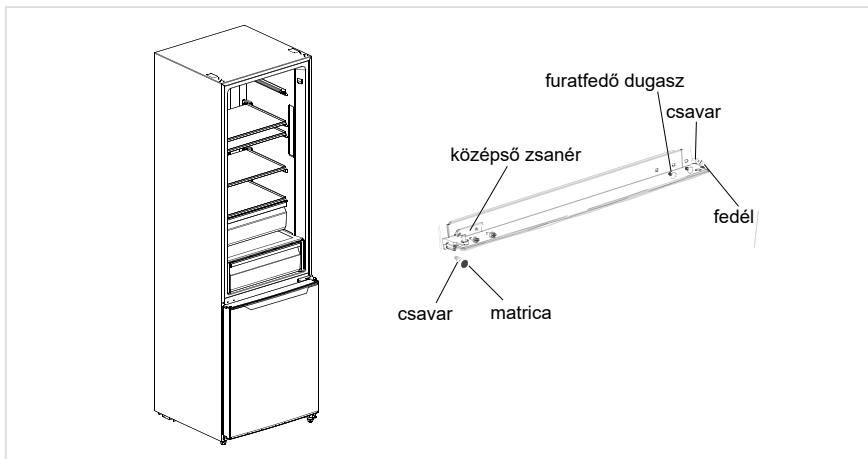


5. a) Távolítsa el a hűtőtér ajtajának felső fedelét, szerelje fel a felső zsanérhüvelyt, az ajtó jelzővezetékét a másik oldalra, és szerelje fel az ajtó felső fedelét. Szerelje le az ütközőt és a csőhüvelyt a fagyasztórekesz ajtajának jobb alsó részéről, vegyen ki egy másik tartalék ütközőt (megfordítható ajtóhoz), és csavarral szerelje fel a csőhüvelyt és a tartalék ütközőt az ajtó bal alsó részén, szerelje fel a felső zsanérhüvelyt, az ajtó jelzővezetékét a másik oldalra, és szerelje fel az ajtó felső fedelét.
- b) Szerelje le az ütközőt és a csőhüvelyt a fagyasztórekesz ajtajának jobb alsó részéről, vegyen ki egy másik tartalék ütközőt (megfordítható ajtóhoz), és csavarral szerelje fel a csőhüvelyt és a tartalék ütközőt az ajtó bal alsó részén. Vegye le a fagyasztórekesz ajtaján lévő csőhüvelyt és a furatfedő dugaszokat, és szerelje fel a másik oldalra.

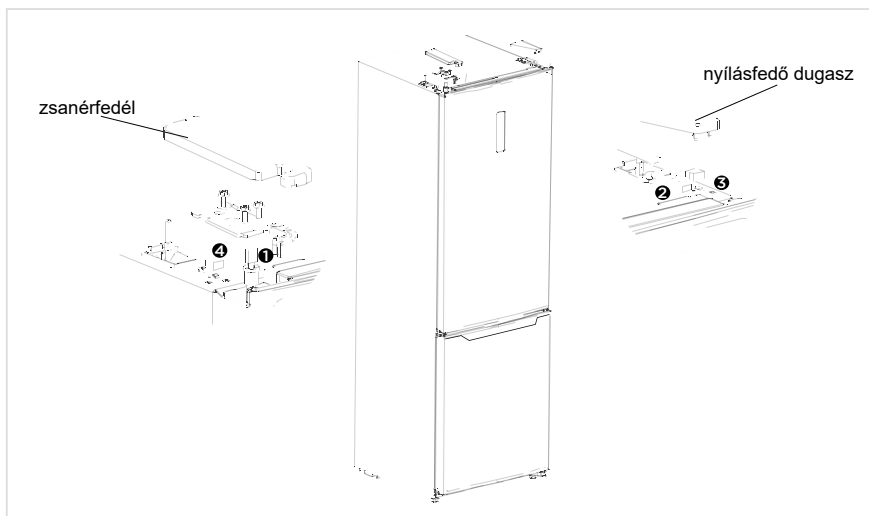
HU



6. Tegye a fagyasztó ajtaját az alsó zsanérra, és szerelje fel a középső zsanért és a furatfedő dugaszokat, helyezze fel a csavarfedelelet és a matricát.



7. Vegye ki a bal felső zsanért és a bal felső zsanérfedelet a tartozékcsoomagból. Helyezze a hűtőajtót a középső zsanérra, szerelje fel a felső zsanért. Kösse össze a ④ jelvezeték-csatlakozóvéget a ① jelvezeték-csatlakozóvéggel, kösse össze a ② jelvezeték-csatlakozóvéget a ③ jelvezeték-csatlakozóvéggel, szerelje fel a felső zsanérfedelet és a nyílásfedő dugaszt.



HU

**FIGYELEM**

A fenti ábra csak tájékoztató jellegű. A tényleges konfiguráció az adott terméktől vagy a forgalmazó terméknyilatkozatától függ.

## Elhelyezés

- Használat előtt távolítsa el az összes csomagolóanyagot, beleértve az alsó párnákat, a habpárnákat, illetve a hűtőszekrény belsejében található szalagokat; húzza le a védőfóliát az ajtókról és a hűtőszekrény házáról.
- Tartsa távol hőtől, kerülje a közvetlen napfényt. Ne helyezze a fagyasztót nedves vagy vizes helyekre, így megelőzheti a rozsdásodást vagy a szigetelődés csökkenését.
- Ne permetezzen folyadékot a hűtőszekrényre, illetve ne mossa le; ne tegye a hűtőszekrényt olyan helyre, ahol könnyen fröccsenhet rá víz, hogy ne befolyásolja a hűtőszekrény elektromos szigetelési tulajdonságait.
- A hűtőszekrényt jól szellőző helyen kell elhelyezni; a padozat legyen sík és teherbíró (ha instabil, forgassa el balra vagy jobbra, hogy beállíthassa a szintezőkereket).



## Szintező láb

A rázkódás elkerüléséhez a készüléket szintbe kell állítani.

Szükség esetén a szintezőcsavarokkal kiegyenlítheti az egyenetlen padlót.

A készülék elejének enyhén magasabban kell lennie a hátuljánál, hogy segítse az ajtó becsukódását.

A szintezőcsavarok könnyen forgathatók, ha enyhén megdönti a készülék házat.

Forgassa a szintezőcsavarokat az óramutató járásával ellentétes irányba  a készülék megemeléséhez, vagy az óramutató járásával megegyező irányba  a készülék lejjebb engedéséhez.

HU

## A készülék mozgatása

1. Vegye ki az összes élelmiszert a készülékből.
2. Húzza ki a tápcsatlakozót a hálózati aljzatból, majd illessze be és rögzítse a készülék hátoldalán vagy tetején lévő tápcsatlakozótartó hurokba.
3. Ragasztószalaggal rögzítse az elmozdulásra képes alkatrészeket, például az polcokat és az ajtófogantyút, hogy ne essenek ki a készülék mozgatása közben.
4. A készüléket legalább hárman mozgassák. A készüléket nagy távolságra szállításkor tartsák álló helyzetben.
5. A készüléket az ismételt elhelyezése után csatlakoztassa az elektromos hálózathoz, majd kapcsolja be.

### FIGYELEM

Óvintézkedések az üzembe helyezés előtt:

Mielőtt változtatásokat végezne, a hűtőszekrényt le kell választani az áramforrásról. Körültekintőnek kell lennie az esetleges személyi sérülések elkerülése érdekében.



## Az izzó cserélje

- A LED lámpák cserélését vagy karbantartását a gyártó, a szakszerviz vagy a megfelelő képesítéssel rendelkező szakember végezheti el. Ebben a termékben <F> energiaosztályba tartozó fényforrás található.

### Lépés

1. Húzza ki a fali csatlakozót az eltávolítás előtt.
2. Távolítsa el a lámpafedelet egy csavarhúzóval.



3. Vegye le a lámpapanelt.
4. Távolítsa el a csatlakozóterminált.



## A készülék csatlakoztatása az elektromos hálózathoz

Az első indításkor, mielőtt a hűtőszekrényt a hálózatra csatlakoztatná, hagyja két óráig állni.

### FIGYELEM

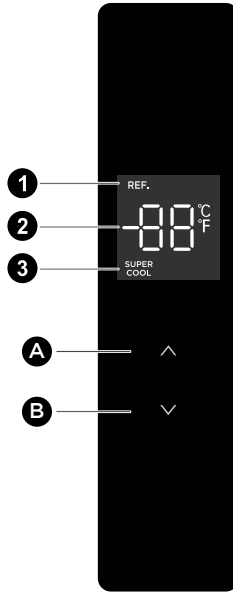
Mielőtt friss ételeket helyezne a hűtőszekrénybe, járassa 2-3 óra hosszan, vagy 4 óránál is hosszabban nyáron, amikor a környezeti hőmérséklet magas.

## Tippek Az Energia Megtakarításához

- A berendezést a helyiség leghűvösebb részén kell elhelyezni, távol a hőt termelő berendezésektől, a hőelvezető csövektől, illetve távol a közvetlen napfénytől.
- Hagyja a forró ételeket szobahőmérsékletűre hűlni, mielőtt azokat a készülékbe helyezné. Ha túl sok élelmiszer van a készülékben, a kompresszor hosszabban üzemel. A túl lassan megfagyó élelmiszer megromolhat.
- Az élelmiszereket megfelelően csomagolja be, a tárolóedényeket törölje szárazra, mielőtt a hűtőszekrénybe tenné azokat. Ezzel csökkenthető a berendezésben lerakódó jég mennyisége.
- A tárolórekeszt ne bélelje ki alumíniumfóliával, zsírpapírral vagy papírtörlővel. Ezek akadályozhatják a hideg levegő áramlását, amitől a készülék kevésbé lesz hatékony.
- Rendszerezze és címkézze fel az ételeket, hogy csökkenthesse az ajtónyitások számát, és a hosszas keresgélést. Minden szükséges cikket egy ajtónyitással vegyen ki, és a lehető leghamarabb csukja be az ajtót.

# ÜZEMELTETÉSI UTASÍTÁSOK

## Kezelőpanel



HU

### FIGYELEM

A fenti ábra csak tájékoztató jellegű. A tényleges konfiguráció az adott terméktől vagy a forgalmazó terméknyilatkozatától függ.

### Jelzés

A	Hőmérséklet fel gomb
B	Hőmérséklet le gomb

### Kijelző

1	Hűtő ikon
2	Hőmérséklet-kijelző ikon
3	Gyorshűtés ikon

## Kijelző

- A hűtőszekrény 1. bekapcsolásakor a teljes kijelzőpanel 3 másodpercig világít. Ezt követően a kijelzőpanel a normál kijelzőre lép. A nyitott ajtó kijelzőfénye világít; Amikor az ajtó becsukódik, a kijelzőfény kialszik. A hűtőszekrény első használatakor a hűtőtér alapértelmezett hőmérséklete 5 °C.
- Hiba esetén a kijelzőpanelen megjelenik a hibakód. Ellenkező esetben a kijelzőpanel a beállított hőmérsékletet mutatja.

## Hőfok beállítása

- A hőmérséklet fel gomb „Λ” megnyomásával beállíthatja a hőmérsékletet, a hőmérséklet fel gomb „Λ” minden egyes kattintásával a beállított hőmérséklet 1 °C-kal emelkedik; A hőmérséklet le gomb „∨” megnyomásával beállíthatja a hőmérsékletet, a hőmérséklet le gomb „∨” minden egyes kattintásával a beállított hőmérséklet 1 °C-kal csökken; A hűtőtér hőmérséklet-beállítási tartománya 2~8 °C. Amikor a hőmérséklet a határértékre van beállítva, a hűtőszekrény riasztást ad, ha a hőmérséklet fel gomb „Λ” vagy a hőmérséklet le gomb „∨” még mindig meg van nyomva.

## Üzem mód beállítása

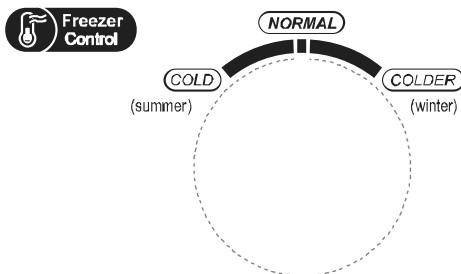
- A Gyorshűtés mód beállítása: miután a hűtőtér hőmérsékletét 2 °C-ra állította be, nyomja meg a hőmérséklet le gombot „∨” a gyors hűtés módba való belépéshez. Gyorshűtés módban a hűtőtér hőmérséklete automatikusan 2 °C-ra áll be.
- Kilépés a gyors hűtés módból: nyomja meg a hőmérséklet fel gombot „Λ” a gyors hűtés módból való kilépéshez, vagy a berendezés 6 óra elteltével automatikusan kilép a gyors hűtés módból. A gyors hűtés módból való kilépés után a hűtőszekrény hőmérséklete automatikusan visszatér a gyors hűtés mód előtt beállított hőmérsékletre.

## Nyitásviasztás vezérlése

- Ha az ajtót két percig nem csukják be, a zúgásriasztás addig szól, amíg az ajtót be nem csukják. Nyomja meg bármelyik gombot a zúgásriasztás leállításához.

HU

## A hőmérséklet beállítása kiléphet a gyors hűtés módból



## A fagyasztókamra hőfokszabályzójának beállítása

- A fagyasztási hőmérséklet viszonylag alacsony a „COLDER” állásban, míg a „COLD” állásban viszonylag magas, ezért általában a „NORMAL” állás használatos.
- Ha nyáron a környezeti hőmérséklet magas, a hőmérsékletnek a „NORMAL” és a „COLD” közötti tartományban kell lennie. Ha a környezeti hőmérséklet 35 °C felett van, akkor a „COLD” állás az irányadó.
- Ha télen a környezeti hőmérséklet alacsony, a hőmérsékletnek a „NORMAL” és a „COLDER” közötti tartományban kell lennie. Ha a környezeti hőmérséklet 10 °C alatt van, akkor a „COLDER” állás az irányadó.

## Nyitás figyelmeztetés és riasztások kezelése

- A hűtőajtó kinyitásakor megszólal az ajtónyitási dallam. Ha az ajtót két percig nem csukják be, a zúgásriasztás addig szól, amíg az ajtót be nem csukják. Nyomja meg bármelyik gombot a zúgásriasztás leállításához.

## Hibajelzés

- A kijelzőn megjelenő figyelmeztetések a hűtőszekrény hibáit jelzik.
- Noha a következő hibák megjelenése esetén a hűtőszekrény továbbra is rendelkezik hűtőtárolási funkcióval, vegye fel a kapcsolatot egy karbantartó szakemberrel, hogy a készülék optimális működése biztosítható legyen.

Hibakód	Hibaleírás
E1	A hűtőrekesz hőmérséklet-érzékelőjének meghibásodása
E2	A fagyasztókamra hőmérséklet-érzékelőjének meghibásodása
E3	A fagyrekesz fiók hőmérséklet-érzékelőjének meghibásodása
E5	A fagyasztó leolvasztás-érzékelőjének áramkörü hibája
E6	Kommunikációs hiba
E7	A környezeti hőmérséklet-érzékelő hibája

## Hűtőrekesz

- A hűtőtérben tárolhatók gyümölcsök, zöldségek, italok és egyéb olyan élelmiszerek, amelyek gyorsan fogyasztásra kerülnek, a javasolt tárolási idő 3–5 nap.
- Főtt ételeket addig ne tegyen a hűtőrekeszbe, amíg szoba-hőmérsékletűre nem hűltek.
- Mielőtt a hűtőbe helyezi az ételeket, javasoljuk, hogy zárja le őket.
- A megfelelő tárolóhely és a könnyű használhatóság érdekében az üvegpolicok magassága fel-le állítható.

## Fagyasztókamra

- Az alacsony hőmérsékletű fagyasztórekesz hosszú időn keresztül frissen tartja az ételeket, leginkább fagyasztott ételek tárolására és jég készítésére alkalmas.
- A fagyasztórekesz kiválóan alkalmas húсок, halak, rizsgolyók és egyéb olyan ételek fagyasztására, amelyeket nem szeretne rövid időn belül elfogyasztani.
- A nagyobb húсокat célszerű kisebb darabokra vágni, így gyorsabban megfagynak és könnyebben hozzáférhetők. Figyeljen arra, hogy az ételeket a minőségmegőrzési időn belül elfogyassza.

## Fagyrekesz fiók

- Alkalmas rövid ideig (1–3 nap) friss hal, friss hús, friss élelmiszer stb. tárolására.
- A fiók hátsó és alsó részéhez közel, az élelmiszerek megfagyhatnak, a nem fagyasztható élelmiszereket nem tegye bele.
- Élelmiszer-osztályozás és szigetelőcsomagolás javasolt.

### FIGYELEM

Megjegyzés: Ha az első bekapcsolást követően túl sok élelmiszert helyez a hűtőszekrénybe, az hátrányosan befolyásolhatja a berendezés fagyasztási teljesítményét.

Sorszám	Rekeszek TÍPUS	Tárolási célhőmérséklet [°C]	Megfelelő élelmiszer
1	Hűtőszekrény	+2 ~ +8	A tojás, a főtt étel, a csomagolt élelmiszer, a gyümölcs és zöldség, a tejtermékek, a sütemények, az italok és egyéb élelmiszerek fagyasztásra nem alkalmasak.
2	(***)*- Fagyasztó	≤ -18	Tengeri élelmiszer (hal, kagyló, rák), édesvízi élelmiszer és hús (az ajánlott tárolási idő 3 hónap, minél hosszabb ideig tárolja, annál rosszabb lesz az íz és a tápérték). Fagyasztott friss élelmiszer tárolására alkalmas.
3	***-Fagyasztó	≤ -18	Tengeri élelmiszer (hal, kagyló, rák), édesvízi élelmiszer és hús (az ajánlott tárolási idő 3 hónap, minél hosszabb ideig tárolja, annál rosszabb lesz az íz és a tápérték). Fagyasztott friss élelmiszer tárolására alkalmas.
4	** -Fagyasztó	≤ -12	Tengeri élelmiszer (hal, kagyló, rák), édesvízi élelmiszer és hús (az ajánlott tárolási idő 3 hónap, minél hosszabb ideig tárolja, annál rosszabb lesz az íz és a tápérték). Fagyasztott friss élelmiszer tárolására alkalmas.
5	*-Fagyasztó	≤ -6	Tengeri élelmiszer (hal, kagyló, rák), édesvízi élelmiszer és hús (az ajánlott tárolási idő 3 hónap, minél hosszabb ideig tárolja, annál rosszabb lesz az íz és a tápérték). Fagyasztott friss élelmiszer tárolására alkalmas.
6	0-csillag	-6 ~ 0	Friss sertés, marha, hal, csirke, bizonyos csomagolt feldolgozott élelmiszerek stb. (Javasolt még aznap elfogyasztani, de lehetőleg 3 napon belül). Részben lezárt feldolgozott élelmiszerek (nem fagyasztható élelmiszerek).
7	Fagyrekesz	-2 ~ +3	Friss/fagyasztott sertéshús, marhahús, csirke, édesvízi és akváriumban nevelt termékek stb. (0 °C alatt 7 napon belül fagyasztható, 0 °C felett ugyanazon a napon, de legfeljebb 2 napon belül fogyasztandó). Tenger gyümölcsei (0 °C alatt 15 napig állnak el, 0 °C feletti tárolásuk nem ajánlott).
8	Frissentartó	0 ~ +4	Friss sertés, marha, hal, csirke, főtt étel stb. (Javasolt még aznap elfogyasztani, de lehetőleg 3 napon belül).
9	Bor	+5 ~ +20	Vörösbor, fehérbor, pezsgő stb.

## FIGYELEM

A különféle élelmiszereket a nekik megfelelő rekeszekben vagy tárolási hőmérsékleten tárolja.

# TISZTÍTÁS ÉS KARBANTARTÁS

## Takarítás

- A hűtőszekrény mögött, illetve a talajon található port rendszeres időközönként el kell távolítani, hogy a hűtési hatékonyság, illetve az energiamegtakarítás növelhető legyen.
- Rendszeresen ellenőrizze az ajtó tömítéseket, hogy nincs rajtuk szennyeződés. Az ajtó tömítéseket egy szappanos vízben vagy hígított mosószerben megnedvesített puha ruhával törölje át.
- A hűtőszekrény belsejét rendszeresen tisztítani kell, hogy elkerülje a kellemetlen szagokat.
- A takarítás megkezdése előtt húzza ki a gépet, távolítsa el az összes étel, italt, polcot, fiókot stb.
- Egy puha ruhával vagy szivaccsal takarítsa ki a hűtőszekrény belsejét, ehhez használja két evőkanál szóda-bikarbóna és egy liter meleg víz keverékét. Majd öblítse ki vízzel és törölje tisztára. A tisztítást követően nyissa ki az ajtót és a bekapcsolás előtt hagyja természetes módon megszáradni.
- Javasoljuk, hogy a hűtő nehezen takarítható részeit (szűk helyek, hézagok, sarkok) puha ronggyal vagy puha kefével tisztítsa meg, ha szükséges, használjon segédeszközöket (pl. vékony pálcikák), hogy ezeken a területeken ne halmozódjon fel a szennyeződés vagy baktérium.
- Ne használjon szappant, mosószert, súrolószert, spray tisztítószert stb., mivel ezek szagokat okozhatnak a hűtő belsejében vagy szennyezhetik az ételt.
- Az üvegtartókat, polcokat és fiókokat egy szappanos vízben vagy hígított mosószerben megnedvesített puha ruhával törölje át. Egy ronggyal törölje szárazra vagy hagyja természetes módon megszáradni.
- Szappanos vízzel vagy mosószerral megnedvesített ruhával törölje le a hűtőszekrény külső részét, majd törölje szárazra.
- Ne használjon kemény keféket, acél súrolót, súrolószereket (pl. fogkrémet), organikus oldószereket (pl. alkoholt, acetont, banánolajat, stb.), forró vizet, savas vagy lúgos szereket, amelyek károsíthatják a hűtőszekrény felületét, belsejét. A forró víztől és az olyan szerves oldószerektől, mint a benzol, a műanyag alkatrészek eldeformálódhatnak.
- A tisztítás során ne öntsön közvetlenül vizet vagy egyéb folyadékokat a készülékbe, hogy elkerülhesse a rövidzárlatot, illetve az elektromos szigetelés ne károsodjon a vízbe merülés miatt.

## FIGYELEM

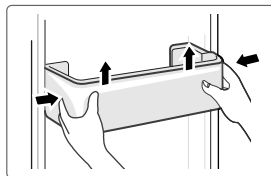
A leolvasztáshoz és tisztításhoz kérjük, húzza ki az hűtőszekrényt.

## Leolvasztás

- A hűtőszekrény a léghűtés elve alapján készült, így automatikus leolvasztási funkcióval rendelkezik. Az évszakok vagy a hőmérséklet változása miatt kialakult jeget manuálisan is el lehet távolítani, ha a berendezést leválasztja az elektromos hálózatról, illetve egy papírtörülkövel vagy száraz törölközővel le lehet törölni.

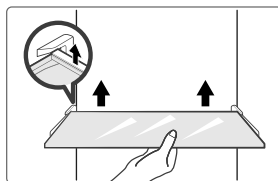
## Ajtótálca tisztítása

- Az alábbi ábrán látható nyílnak megfelelően két kézzel fogja meg a tálcát és nyomja felfelé, majd vegye ki a helyéről.
- Azt követően, hogy a kivett tálcát elmosta, szükség szerint a kívánt magasságba helyezheti vissza.



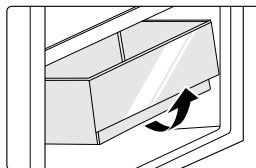
## Üvegpolc tisztítása

- A hűtő belsejében, ahol a polc és a hűtő hátulja találkozik, egy kis mélyedés található; emelje meg a polcot felfelé, hogy kivehesse a helyéről.
- Igényei szerint állítsa be vagy tisztítsa meg a polcokat.



## Zöldséges fiók tisztítása

1. Vegyen ki mindent a fiókból. Fogja meg a fiók markolatát, és húzza ki teljesen, ütközésig.
2. Emelje meg a zöldséges fiókot, és húzza ki az eltávolításához.



HU

## Üzemen kívüli állapot

### Áramkimaradás:

Áramkimaradás esetén, akár még nyáron is, az ételek több órán át tarthatók a készülékben. Áramkimaradás esetén csökkenteni kell az ajtónyitások számát, és nem szabad friss ételt tenni a készülékbe.

### Tartós használaton kívüli helyzet:

A készüléket ki kell húzni, ki kell takarítani, majd az ajtókat nyitva kell hagyni, hogy ne legyen kellemetlen szag a hűtőben.

### Mozgatás:

A hűtő mozgatása előtt távolítson el minden tárgyat a készülékből, rögzítse az üveg elválasztókat, a zöldségtartót, a fagyasztórekesz fiókjait stb. ragasztószalaggal, húzza meg a szintezőlabát; zárja be az ajtókat és rögzítse őket ragasztószalaggal. Mozgatás során a berendezést tilos fejtetőre vagy vízszintes pozícióba állítani, tilos rezgésnek kitenni; mozgatás során a megdőntött szöge nem lehet 45°-nál nagyobb.

### FIGYELEM

Az indítást követően a berendezést folyamatosan kell üzemeltetni. Általánosságban elmondható, hogy a berendezés működésének megszakítása csökkenti a berendezés élettartamát.



# HIBAELHÁRÍTÁS

A következő egyszerű problémákat a felhasználó is kezelni tudja. Kérjük, hívja a szervizünket, ha valamilyen problémát nem sikerül elhárítani.

Probléma	Lehetséges ok
Berendezés nem működik	<ul style="list-style-type: none"><li>• Ellenőrizze, hogy a készülék csatlakoztatva van-e az elektromos hálózathoz, és a csatlakozó megfelelően érintkezik-e.</li><li>• Ellenőrizze, hogy a feszültség nem túl alacsony-e.</li><li>• Ellenőrizze, hogy nincs-e áramkimaradás, vagy az egyes áramkörök megszakítói nem oldottak le.</li></ul>
Szag	<ul style="list-style-type: none"><li>• Az erős szagú ételeket szorosan be kell csomagolni.</li><li>• Ellenőrizze, hogy nincs-e rohadt étel a hűtőben.</li><li>• Tisztítsa ki a hűtőszekrény belsejét</li></ul>
A kompresszor hosszú idejű működése	<ul style="list-style-type: none"><li>• Normális, ha a hűtő nyáron vagy magas környezeti hőmérséklet esetén hosszú ideig működik.</li><li>• Ilyenkor javasolt kevesebb ételt helyezni a hűtőbe.</li><li>• Mielőtt a készülékbe helyezné, hűtse le az ételt.</li><li>• Az ajtókat túl gyakran nyitják</li></ul>
A lámpa nem világít.	<ul style="list-style-type: none"><li>• Ellenőrizze, hogy a hűtőszekrény csatlakoztatva van-e az elektromos hálózathoz, illetve a lámpa nem sérült-e.</li><li>• Szakemberrel cseréltesse ki a lámpát</li></ul>
Az ajtók nem záródnak megfelelően	<ul style="list-style-type: none"><li>• Az ajtó valamelyik élelmiszerben elakad</li><li>• A hűtőszekrény ferdén áll.</li></ul>
Hangos a készülék	<ul style="list-style-type: none"><li>• Ellenőrizze, hogy a padló vízszintes-e, illetve a hűtő stabilan áll-e.</li><li>• Ellenőrizze, hogy a kiegészítők a megfelelő helyre vannak-e behelyezve.</li></ul>

Probléma	Lehetséges ok
Az ajtó tömitései nem szigetelnek megfelelően	<ul style="list-style-type: none"> <li>• Távolítsa el az idegen anyagokat az ajtó tömitéseiről.</li> <li>• A helyreállításhoz melegítse fel az ajtó tömitéseket, majd a hűtse le őket. (A melegítéshez használhat hajszárítót vagy forró törölközőt.)</li> </ul>
A vízgyűjtő tálca túlcserdül	<ul style="list-style-type: none"> <li>• Túl sok élelmiszer van a hűtőtérben, vagy a tárolt élelmiszer túl sok vizet tartalmaz, amely leolvastáskor túl sok vizet enged.</li> <li>• Az ajtók nincsenek megfelelően bezárva, ami a bejutó levegő miatt jegesedéshez, a túl sok víz leolvadásához vezet.</li> </ul>
Meleg a burkolat	<ul style="list-style-type: none"> <li>• A beépített kondenzátor burkolata felmelegedhet, ami normális jelenség. Ha a magas környezeti hőmérséklet, a túl sok tárolt élelmiszer vagy a kompresszor leállása miatt a burkolat túl forróvá válik, gondoskodjon megfelelő szellőzéstről a hő eloszlásának elősegítésével.</li> </ul>
Felületi páralecsapódás	<ul style="list-style-type: none"> <li>• A hűtőszekrény külső felületén és az ajtó tömitéseken jelentkező páralecsapódás normális jelenség, ha a környezeti páratartalom túl magas. Törölje le a páralecsapódást egy tiszta törölkűhával.</li> </ul>
Rendellenes zaj	<ul style="list-style-type: none"> <li>• Zúgás: Működés közben a kompresszorból zúgás hallható, és ez a zúgás indításkor vagy leállításkor különösen hangos. Ez normális.</li> <li>• Nyikorgás: A berendezésben áramló hűtőközeg nyikorgó hangot adhat, ami normális.</li> </ul>

# MELLÉKLET

## Kimondottan az új európai szabványnak megfelelően

Az alábbi táblázatban lévő megrendelt alkatrészek a szolgáltatói csatornától szerezhetők be

Megrendelt alkatrész	Beszállító	Az biztosításhoz szükséges minimum idő
Termosztátok	Professzionális karbantartó személyzet	Legalább 7 év azt követően, hogy az utolsó termék piacra került
Hőmérséklet-érzékelők	Professzionális karbantartó személyzet	Legalább 7 év azt követően, hogy az utolsó termék piacra került
Nyomatott áramköri lapkák	Professzionális karbantartó személyzet	Legalább 7 év azt követően, hogy az utolsó termék piacra került
Fényforrások	Professzionális karbantartó személyzet	Legalább 7 év azt követően, hogy az utolsó termék piacra került
Ajtófogantyúk	Professzionális szerelők és végfelhasználók	Legalább 7 év azt követően, hogy az utolsó termék piacra került
Ajtózsanérok	Professzionális szerelők és végfelhasználók	Legalább 7 év azt követően, hogy az utolsó termék piacra került
Tálcák	Professzionális szerelők és végfelhasználók	Legalább 7 év azt követően, hogy az utolsó termék piacra került
Kosarak	Professzionális szerelők és végfelhasználók	Legalább 7 év azt követően, hogy az utolsó termék piacra került
Ajtótömlések	Professzionális szerelők és végfelhasználók	Legalább 10 év azt követően, hogy az utolsó termék piacra került

HU

## Kedves vásárló!

- Ha a terméket szeretné visszaküldeni vagy kicserélni, vegye fel a kapcsolatot az értékesítővel.  
(Ne felejtse el elhozni a vásárláskor kapott számlát)
- Ha a termék elromlott és javításra van szükség, vegye fel a kapcsolatot a szervizrészleggel.

## FIGYELEM

A termékadatbázisban található modellinformációkat, valamint termék energiahatékonysági címkéje QR-kódjával (ha van) beolvasott webes hivatkozáson keresztül lehet elérni.

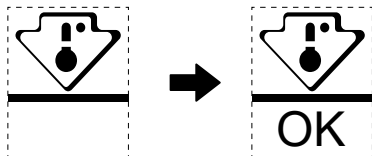
A készülék energiahatékonyságáról további tájékoztatást a <https://ec.europa.eu> webhelyen talál, ha rákeres a típusnévre.

A típusnév a készülék adattábláján található.

## A hűtőszekrény leghidegebb zónája

### OPCIONÁLIS: OK-hőmérsékletjelzés

- Az OK-hőmérsékletjelzéssel a +4 °C alatti hőmérsékletek határozhatók meg. Fokozatosan csökkentse a hőmérsékletet, amíg az „OK” jelzést nem látja.



- A terület hőmérsékletének garantálása érdekében, ne változtasson a polc elhelyezkedésén. A kényszerlevegős hűtőszekrények esetében (ventilátorral rendelkező vagy önleolvasztós modellek) nincs feltüntetve a leghidegebb zóna szimbólum, mert a belső hőmérséklet homogén.

### Hőmérsékletjelző beállítása

- Azért, hogy segítsen Önnek a megfelelő beállításban, a hűtőszekrényt hőmérsékletjelzővel látták el, ami figyelmeztet a leghidegebb zóna átlagos hőmérsékletét.
- FIGYELEM:** Ezt a jelzőt az Ön hűtőszekrényével való együttműködésre tervezték, ne használja másik hűtőszekrényben (mert a leghidegebb zóna nem ugyanolyan), vagy más felhasználási céllal.

### A leghidegebb zóna hőmérsékletének ellenőrzése

- A hőmérsékletjelzővel rendszeresen tudja ellenőrizni, hogy a leghidegebb zóna hőmérséklete megfelelő-e. Valójában a hűtőszekrény belső hőmérséklete számos olyan tényezőtől függ, mint a helyiség környezeti hőmérséklete, a benne tárolt étel mennyisége és az ajtónyitás gyakorisága. A készülék beállításakor vegye figyelembe ezeket a tényezőket.
- Amikor a jelző „OK”-t mutat, az azt jelenti, hogy a termosztátot jól állították be, és a belső hőmérséklet megfelelő.
- Ha a hőmérsékletjelző FEHÉRRE vált, az azt jelenti, hogy a hőmérséklet túl magas; ebben az esetben növelje a hűtőszekrény hőmérsékletszabályozó beállítását, és várjon 12 órát, mielőtt újra szemrevételezéssel ellenőrizné a jelzőt. Ha friss élelmiszert helyeztek be, vagy az ajtót nyitva hagyták, előfordulhat, hogy a hőmérsékletjelző egy idő után FEHÉRRE vált.

## ZAHVALNO PISMO

Hvala, ker ste izbrali Mideo! Pred uporabo vašega novega izdelka Midea natančno preberite ta priročnik, da zagotovite varno upravljanje z lastnostmi in funkcijami, ki jih ponuja vaša nova naprava.

# VSEBINA

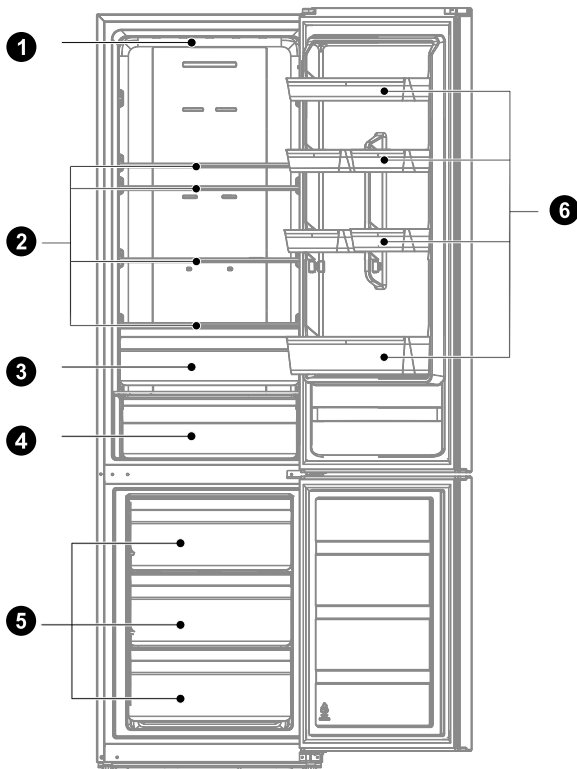
<b>ZAHVALNO PISMO</b> .....	01
<b>SPECIFIKACIJE</b> .....	02
<b>PREGLED IZDELKA</b> .....	03
<b>NAMESTITEV IZDELKA</b> .....	04
<b>NAVODILA ZA UPORABO</b> .....	12
<b>ČIŠČENJE IN VZDRŽEVANJE</b> .....	17
<b>ODPRAVLJANJE TEŽAV</b> .....	19
<b>PRILOGA</b> .....	21

# SPECIFIKACIJE

<b>Model izdelka</b>	<b>MDRB489FGE</b>
Volumen prostora za shranjevanje sveže hrane	247 L
Volumen shranjevanja zamrznjene hrane	83 L
Vrsta odmrzovanja	Samodejno odmrzovanje
Čas povišanja temperature	8 h
Zmogljivost zamrzovanja	4 kg/24 h
Nazivna napetost/frekvenca	220-240V~/50Hz
Nazivni tok	0,7 A
Skupna mera (V x Š x G)	2010 x 595 x 635 mm

# PREGLED IZDELKA

## Imena sestavnih delov



- |   |                              |   |                     |
|---|------------------------------|---|---------------------|
| 1 | LED osvetlitev               | 4 | Predal za ohlajanje |
| 2 | Polica                       | 5 | Predal              |
| 3 | Predal za sadje in zelenjavo | 6 | Pladenj za vrata    |

### POZOR

Zgornja slika je samo za referenco. Dejanska konfiguracija je odvisna od fizičnega izdelka ali izjave distributerja.

SL

# NAMESTITEV IZDELKA

## Navodila za namestitev

### Za hladilne naprave s klimatskim razredom

- Odvisno od klimatskega razreda je ta hladilni aparat namenjen uporabi pri temperaturnih območjih okolja, kot je navedeno na napisni tablici.
- Klimatski razred najdete na napisni tablici. Izdelek morda ne bo deloval pravilno pri temperaturah zunaj določenega območja.
- Klimatski razred je naveden na etiketi izdelka.

### Učinkovito temperaturno območje

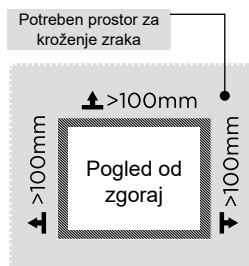
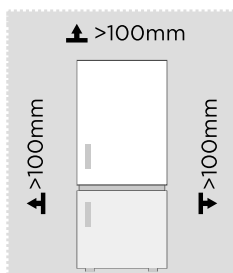
- Izdelek je zasnovan za normalno delovanje v temperaturnem območju, ki ga določa ocena razreda.

Razred	Simbol	Razpon temperature okolice °C	
		IEC 62552 (ISO 15502)	ISO 8561
Razširjeni zmerni	SN	+10 do +32	+10 do +32
Zmerni	N	+16 do +32	+16 do +32
Subtropski	ST	+16 do +38	+18 do +38
Tropski	T	+16 do +43	+18 do +43

### Dimenzije in odmiki

- Premajhna oddaljenost od sosednjih predmetov lahko povzroči poslabšanje sposobnosti zamrzovanja in večje stroške električne energije. Pri namestitvi naprave pustite več kot 100 mm prostora od sosednjih sten.

SL

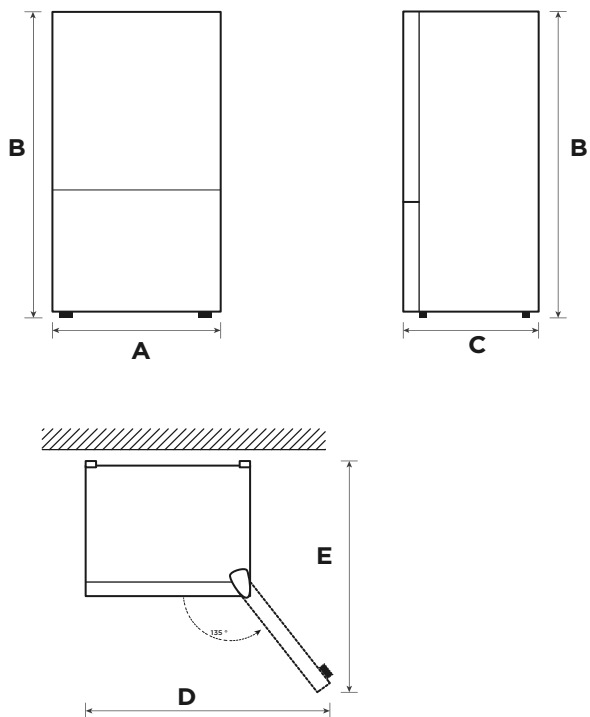


### POZOR

Zgornja slika je samo za referenco. Dejanska konfiguracija je odvisna od fizičnega izdelka ali izjave distributerja.



Diagram prostorskih zahtev (ko so vrata odprta in ko so vrata zaprta)



SL

Širina	Skupna višina	Globina	Širina z odprtimi vrati 135°	Globina z odprtimi vrati 135°
A	B	C	D	E
595	2010	635	1016	1186

Opomba: Vse mere so v mm

## Zamenjava odpiranja vrat v smeri desno-levo (izbirno)

Glede na lokacijo, kjer boste hladilnik uporabljali, bo morda priročneje, če obrnete položaj namestitve vrat.

### **POZOR**

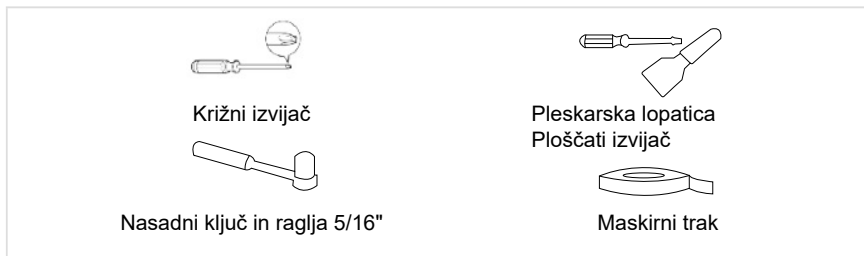
**POZOR:** Da se izognete poškodovanju sebe ali materialni škodi, priporočamo, da vam pri postopku zamenjave smeri odpiranja vrat pomaga druga oseba.

Priprava za zamenjavo položaja namestitve vrat

Potrebovali boste: Standardni izvijač, križni izvijač in priloženi imbus ključ.

- Prepričajte se, da je hladilnik odklopljen z napajanja in prazen.
- Prosite nekoga, da vam pomaga pri postopku.
- Shranite vse odstranjene dele, da jih boste pozneje ponovno uporabili.

### Orodje, potrebno za zamenjavo smeri odpiranja vrat:

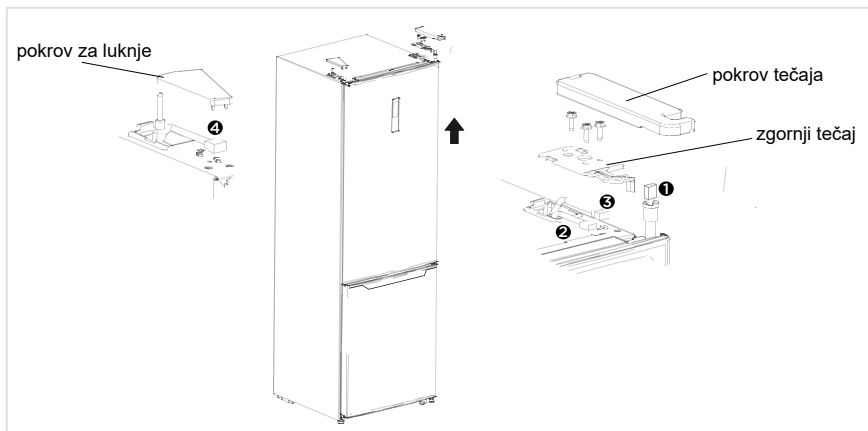


### Deli uporabljeni za spremembo smeri odpiranja vrat

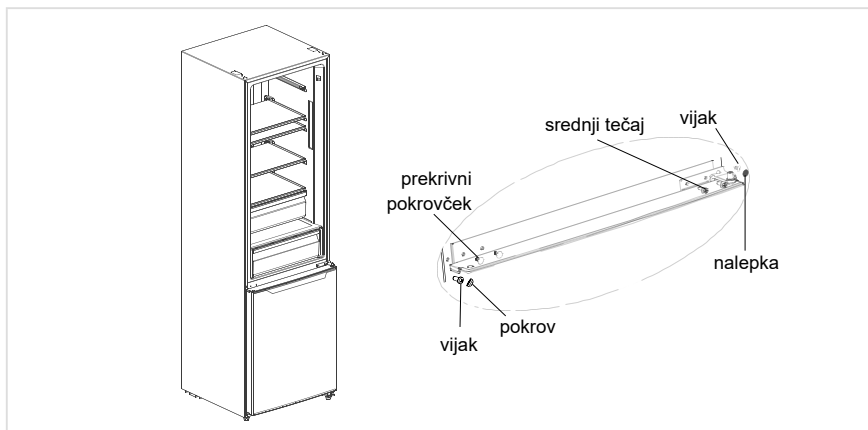
SN	Ime	Številka	Opombe
1	Puša gredi	1	Vnaprej nameščena na hladilnik in jo je treba uporabiti pri zamenjavi vrat
2	Vijak zgornjega tečaja	1	
3	Desni ustavljač	1	Predhodno nameščen na hladilniku, odstranjen, ko so vrata obrnjena, in shranjen za prihodnjo uporabo
4	Sklop pokrova tečaja	1	
5	Stikalo na stebričku	1	Vnaprej nameščena na hladilnik in jo je treba uporabiti pri zamenjavi vrat
6	Pokrov desnega tečaja	1	Predhodno nameščen na hladilniku, odstranjen, ko so vrata obrnjena, in shranjen za prihodnjo uporabo
7	Zgornji desni tečaj	1	
8	Nastavljiva noga	1	Vnaprej nameščena na hladilnik in jo je treba uporabiti pri zamenjavi vrat
9	Paket pripomočkov	3	Zgornji levi tečaj/levi pokrov zgornjega tečaja/levi ustavljač
10	Sklop spodnjega tečaja	1	
11	Vijak spodnjega tečaja	2	Vnaprej nameščena na hladilnik in jo je treba uporabiti pri zamenjavi vrat
12	Končna pokrivna plošča	1	
13	Pokrov za luknje	1	

## Korak:

1. Preden izvedete ta postopek, izklopite napravo. Odstranite vso hrano s polic na vratih. Vrata pritrdite s trakom.
2. Odstranite pokrov zgornjega tečaja, vijake in zgornji tečaj ter odstranite pokrov luknje z druge strani. Odklopite žični konektor na desni strani zgornjega dela hladilnika (1, 3 žični konektor).

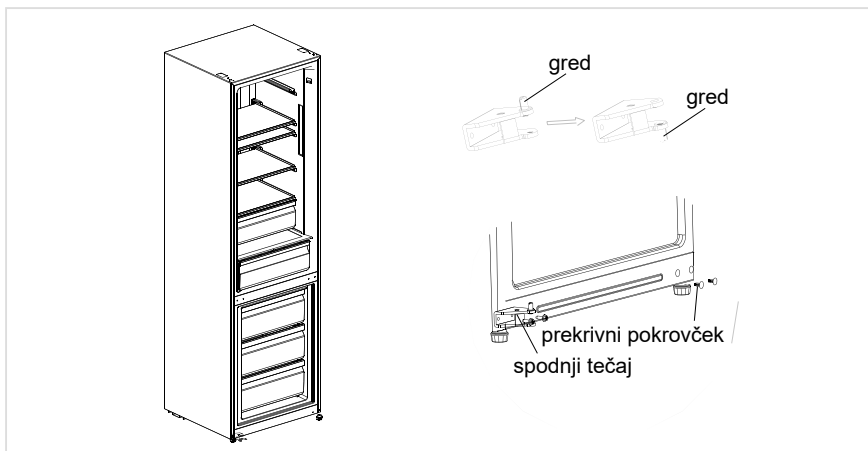


3. Odstranite vrata predela za hlajenje, privijte pokrov vijakov, nalepko in srednji tečaj, pokrov za luknjo.



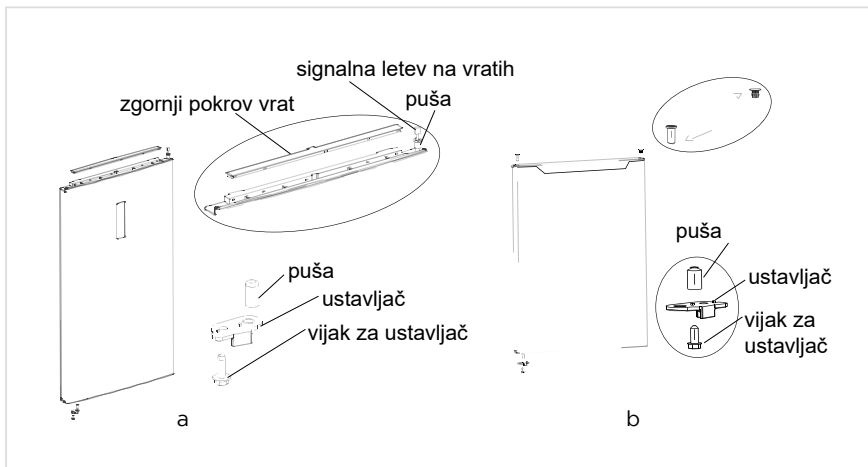
SL

4. Odstranite vrata predela za zamrzovanje, odstranite spodnji tečaj in pokrove za luknje. Namestite gred spodnjega tečaja na drugo stran in namestite spodnji tečaj na drugo stran spodnjega nosilca.

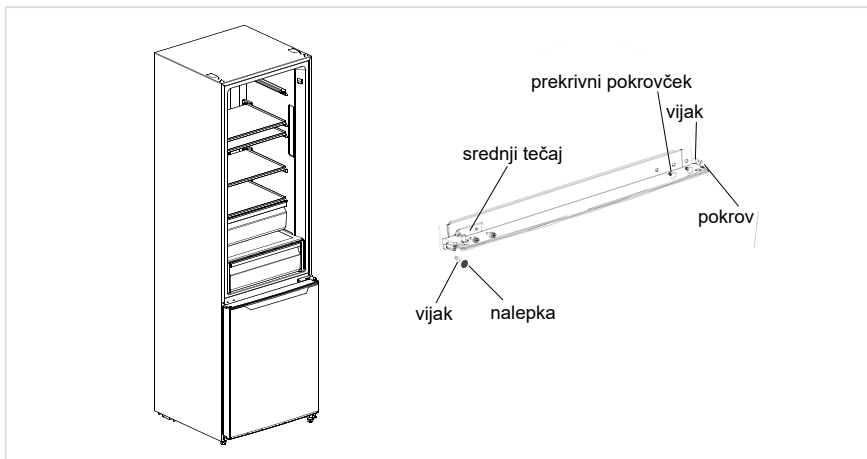


5. a) Odstranite zgornji pokrov vrat predela za hlajenje in na drugo stran namestite pušo zgornjega tečaja in signalno letev na vratih ter namestite zgornji pokrov vrat. Odstranite ustavljač in pušo z desnega dna vrat predela za zamrzovanje, vzemite ven dodatni rezervni ustavljač (za vrata, ki se lahko obrnejo) in sestavite pušo ter rezervni ustavljač na levi spodnji del vrat na vijakom in namestite zgornjo pušo tečaja ter signalno letev na vratih na drugo stran in namestite zgornji pokrov vrat.
- b) Odstranite ustavljač in pušo z desnega dna vrat predela za zamrzovanje, vzemite ven dodatni rezervni ustavljač (za vrata, ki se lahko obrnejo) in sestavite pušo ter rezervni ustavljač na levi spodnji del vrat z vijakom. Odstranite pušo in pokrove za luknje na vratih predela za zamrzovanje in jih namestite na drugo stran.

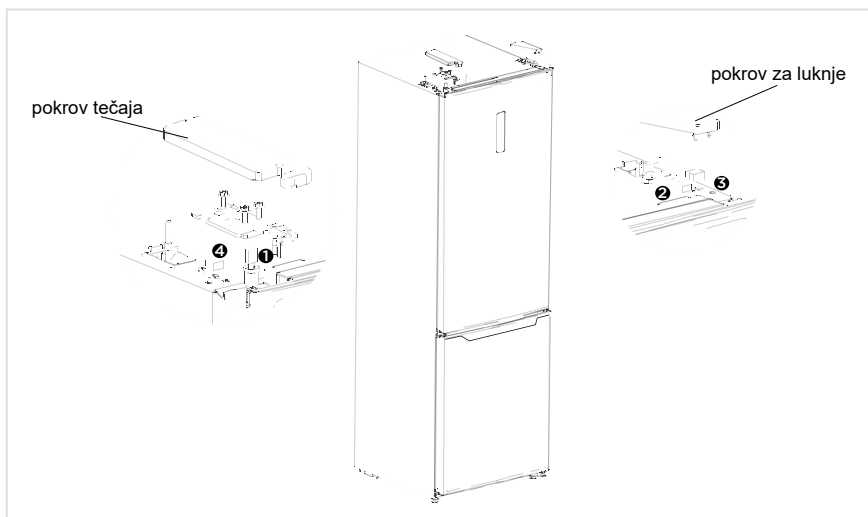
SL



6. Namestite vrata zamrzovalnika na spodnji tečaj, namestite srednji tečaj, pokrove za luknje, pokrov vijakov in nalepko.



7. Iz paketa dodatkov vzemite levi zgornji tečaj in pokrov levega zgornjega tečaja. Namestite vrata hladilnika na srednji tečaj in namestite zgornji tečaj. Ponovno priključite terminal signalne letve ④ s terminalom signalne letve ①, priključite terminal signalne letve ② s terminalom stikala na vratih ③, namestite zgornji pokrov tečaja in pokrov za luknje.



SL

**POZOR**

Zgornja slika je samo za referenco. Dejanska konfiguracija je odvisna od fizičnega izdelka ali izjave distributerja.

## Postavitev

- Pred uporabo odstranite ves embalažni material, vključno s spodnjimi blažilniki, penastimi blazinicami in trakovi v hladilniku; odstranite zaščitno folijo na vratih in ohišju hladilnika.
- Hladilnika ne postavite v bližini toplote in se izogibajte neposredni sončni svetlobi. Hladilnika ne postavite na vlažnem ali mokrem mestu, da preprečite rjavenje ali zmanjšanje izolacijskega učinka.
- Hladilnika ne pršite ali umivajte; hladilnika ne postavljajte na vlažna mesta, kjer lahko pride v stik z vodo, kar bi lahko vplivalo na električne izolacijske lastnosti hladilnika.
- Hladilnik postavite na dobro prezračено mesto v notranjih prostorih; tla morajo biti ravna in trpežna (če hladilnik ni stabilen, zavrtite izravnalne noge levo ali desno).



## Izravnalne noge

Da se izognete vibracijam, mora biti enota poravnana.

Po potrebi prilagodite izravnalne vijake za izravnavo neravnih tal.

Sprednji del mora biti nekoliko višji od zadnjega dela za pomoč pri zapiranju vrat.

Izravnalne vijake lahko enostavno vrtite tako, da omarico nekoliko nagnete.

Izravnalne vijake zavrtite v nasprotni smeri urinega kazalca , da dvignete enoto, ali v smeri urinega kazalca , da jo spustite.

## Premikanje naprave

1. Odstranite vso hrano iz naprave.
2. Izvlecite napajalni vtič ter ga vstavite in pritrdite na kavelj za napajalni vtič na zadnji strani ali na vrhu naprave.
3. Prilepite dele, kot so police in ročaj vrat, da preprečite njihov padec med premikanjem naprave.
4. Napravo morata previdno premakniti več kot dve osebi. Pri premikanju naprave na daljši razdalji naj naprava stoji pokončno.
5. Po namestitvi naprave priključite napajalni vtič v vtičnico za vklop naprave.

### POZOR

Previdnostni ukrepi pred uporabo:

Prede pričnete s spremembami, morate hladilnik izključiti iz napajanja. Sprejeti je treba previdnostne ukrepe, da preprečite morebitne telesne poškodbe.

## Zamenjava luči

- Zamenjavo ali vzdrževanje LED-luči mora izvesti proizvajalec, njegov pooblaščen servisni zastopnik ali podobno usposobljeno osebo. Izdelek vsebuje vir svetlobe razreda energetske učinkovitosti <F>.

### Koraki

1. Pred odstranjevanjem izvlecite vtič.
2. Z izvijačem odstranite pokrov žarnice.



3. Odstranite ploščo luči.
4. Odstranite priključni terminal.



## Priključitev naprave

Pred prvim vklopom mora hladilnik mirovati dve uri, preden ga priključite na električno napajanje.

### POZOR

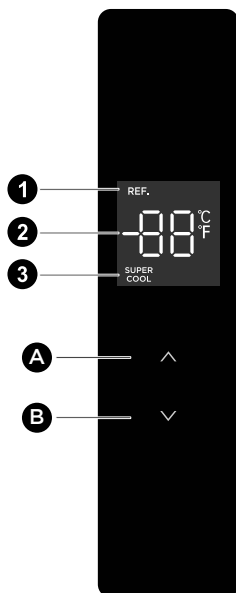
Preden v hladilnik postavite sveža ali zamrznjena živila, mora hladilnik delovati 2 do 3 ure oziroma več kot 4 ure poleti, ko je temperatura okolice visoka.

## Nasveti za varčevanje z energijo

- Naprava mora biti postavljena v najbolj hladnem delu prostora, stran od naprav, ki oddajajo toploto, ali grelnih kanalov ter ne sme biti izpostavljena neposredni sončni svetlobi.
- Počakajte, da se vroča živila ohladijo na sobno temperaturo, preden jih postavite v napravo. Če napravo preveč naložite, mora kompresor delovati dlje. Živilo, ki zamrzne prepočasi, lahko izgubi kakovost ali se pokvari.
- Živila morate ustrezno zaviti in posode obrisati do suhega, preden jih postavite v napravo. S tem boste zmanjšali nabiranje leda v notranjosti naprave.
- Posode za shranjevanje v napravi ne smete obložiti z aluminijasto folijo, papirjem za peko ali papirnati brisačami. Obloge ovirajo kroženje hladnega zraka, zaradi česar je naprava manj učinkovita.
- Organizirajte in označite živila, da zmanjšate odpiranje vrat in daljša iskanja živil. Iz naprave vzemite vsa potrebna živila naenkrat in čim prej zaprite vrata.

# NAVODILA ZA UPORABO

## Nadzorna plošča



### POZOR

Zgornja slika je samo za referenco. Dejanska konfiguracija je odvisna od fizičnega izdelka ali izjave distributerja.

SL

### Tipka

- |   |                              |
|---|------------------------------|
| A | Gumb za zvišanje temperature |
| B | Gumb za znižanje temperature |

### Zaslon

- |   |                             |
|---|-----------------------------|
| 1 | Ikona za hlajenje           |
| 2 | Ikona za prikaz temperature |
| 3 | Ikona za super hlajenje     |



## Zaslon

- Ko prvič vklopite hladilnik, bo prikazovalnik svetil 3 sekunde. Nato prikazovalnik preide v običajni zaslon. Sveti lučka za prikaz odprtih vrat; Ko se vrata zaprejo, lučka zaslona ugasne. Pri prvi uporabi hladilnika je privzeta nastavljena temperatura predela za hlajenje 5 °C.
- Ko pride do napake, se na zaslonu prikaže koda napake. V nasprotnem primeru se na zaslonu prikaže nastavljena temperatura.

## Nastavitev temperature

- S pritiskom gumba za dvig temperature "Λ" lahko nastavite temperaturo, z vsakim klikom gumba za dvig temperature "Λ", se bo nastavljena temperatura dvignila za 1 °C; s pritiskom gumba za znižanje temperature "∨", lahko prilagodite temperaturo, z vsakim pritiskom na gumb za znižanje temperature "∨", se nastavljena temperatura zniža za 1 °C; območje nastavitve temperature predela za hlajenje je 2~8 °C. Ko je temperatura nastavljena na mejno vrednost, bo hladilnik sprožil alarm, če je gumb za dvig temperature "Λ" ali gumb za dvig temperature "∨" še vedno pritisnjen.

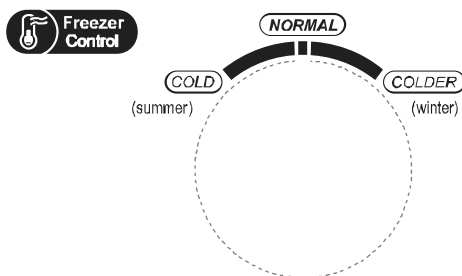
## Nastavitev načina

- Nastavite način super hlajenja: ko je temperatura v hladilnem prostoru nastavljena na 2 °C, pritisnite gumb za znižanje temperature "∨", da vstopite v način super hlajenja. V načinu super hlajenja se temperatura predela za hlajenje samodejno nastavi na 2 °C.
- Izhod iz načina super hlajenja: pritisnite gumb za dvig temperature "Λ" za izhod iz načina super hlajenja ali samodejni izhod iz načina super hlajenja po 6 urah. Po izhodu iz načina super hlajenja se bo temperatura hladilnika samodejno vrnila na temperaturo, nastavljeno pred načinom super hlajenja.

## Nadzor alarma za odpiranje vrat

- Če vrat v dveh minutah ne zaprete, se bo zvočni signal oglašal, dokler se vrata ne zaprejo. Pritisnite kateri koli gumb, da ustavite zvočni signal.

## Nastavitev temperature lahko povzroči izstop iz načina hitrega hlajenja



SL

## Nadzor temperature predela zamrzovanja

- Temperatura zmrzovanja je relativno nizka v položaju »COLDER«, medtem ko je temperatura zmrzovanja relativno visoka v položaju »COLD« , zato se običajno uporablja položaj »NORMAL«.
- Kadar je temperatura okolja poleti visoka, mora biti temperatura v območju od »NORMAL« do »COLD«. Če je temperatura okolice višja od 35 °C, prevlada položaj »COLD«.
- Kadar je temperatura okolja pozimi nizka, mora biti temperatura v območju od »NORMAL« do »COLDER«. Če je temperatura okolice nižja od 10 °C, prevlada položaj »COLDER«.

## Opozorilo za odprtje in nadzor alarma

- Ko odprete vrata hladilnika, se predvaja glasba za odpiranje vrat. Če vrat v dveh minutah ne zaprete, se bo zvočni signal oglašal, dokler se vrata ne zaprejo. Pritisnite kateri koli gumb, da ustavite zvočni signal.

## Indikacija napak

- Naslednja opozorila, ki se prikažejo na zaslonu, prikazujejo ustrezne napake hladilnika.
- Čeprav v primeru naslednjih napak hladilnik še vedno ohranja funkcijo hladnega shranjevanja, pa se mora uporabnik obrniti na strokovnjaka za vzdrževanje za zagotovitev optimalnega delovanja naprave.

Koda napake	Opis napake
E1	Napaka senzorja temperature predela hladilnika
E2	Napaka senzorja temperature zamrzovalnega predela
E3	Napaka senzorja temperature predela hlajenja
E5	Napaka v vezju zaznavanja senzorja za odtajanje zamrzovanja
E6	Komunikacijska napaka
E7	Napaka senzorja temperature okolice

## Predel za hlajenje

- Predel za hlajenje je primeren za shranjevanje različnega sadja, zelenjave, pijač in drugih živil, ki jih boste zaužili v kratkem času, predlagani čas shranjevanja je 3 do 5 dni.
- Kuhanih živil ne postavljajte v predel za hlajenje, dokler se ne ohladijo na sobno temperaturo.
- Priporočljivo je, da živila zatesnite, preden jih postavite v hladilnik.
- Steklene police lahko prilagodite navzgor ali navzdol za ustrezen prostor za shranjevanje in enostavno uporabo.

## Predel zamrzovalnika

- Predel zamrzovalnika za nizko temperaturo ohranja živila sveža dlje časa in se uporablja predvsem za shranjevanje zamrznjenih živil in izdelavo ledu.
- Predel zamrzovalnika je primeren za shranjevanje mesa, rib, riževih kroglic in drugih živil, ki jih ne boste zaužili v kratkem času.
- Priporočljivo je, da večje kose mesa razdelite na manjše dele za hitro zamrzovanje in enostaven dostop. Upoštevajte, da morate živila porabiti pred iztekom roka uporabe.

## Predal za ohlajanje

- Primerno za kratek čas (1-3 dni) za uživanje svežih rib, svežega mesa, sveže hrane itd.
- Blizu zadnje strani in dna predala so lahko zamrznjena živila – sem ne postavljajte živil, ki niso primerna za zamrzovanje.
- Predlagana je razvrstitev živil in embalaža za tesnjenje.

### POZOR

Opomba: Če v napravo hranite preveč živil po začetni priključitvi na napajanje, lahko to negativno vpliva na učinek zamrzovanja hladilnika.

Vrstni red	TIP predelka	Ciljna temp. shranjevanja [°C]	Primerna hrana
1	Hladilnik	+2 ~ +8	Jajca, kuhana hrana, pakirana hrana, sadje in zelenjava, mlečni izdelki, torte, pijače in druga živila niso primerni za zamrzovanje.
2	(***)*-Zamrzovalnik	≤ -18	Morski sadeži (ribe, kozice, školjke), sladkovodni izdelki in mesni izdelki (priporočljivo 3 mesece, daljši kot je čas shranjevanja, slabša sta okus in hranljivost), primerno za zamrznjena sveža živila.
3	***-Zamrzovalnik	≤ -18	Morski sadeži (ribe, kozice, školjke), sladkovodni izdelki in mesni izdelki (priporočljivo 3 mesece, daljši kot je čas shranjevanja, slabša sta okus in hranljivost), primerno za zamrznjena sveža živila.
4	** -Zamrzovalnik	≤ -12	Morski sadeži (ribe, kozice, školjke), sladkovodni izdelki in mesni izdelki (priporočljivo 3 mesece, daljši kot je čas shranjevanja, slabša sta okus in hranljivost), primerno za zamrznjena sveža živila.
5	*-Zamrzovalnik	≤ -6	Morski sadeži (ribe, kozice, školjke), sladkovodni izdelki in mesni izdelki (priporočljivo 3 mesece, daljši kot je čas shranjevanja, slabša sta okus in hranljivost), primerno za zamrznjena sveža živila.
6	0-zvezdica	-6 ~ 0	Sveža svinjina, govedina, ribe, piščanec, nekatera pakirana predelana živila itd. (priporočljivo je, da ta živila pojedete isti dan, po možnosti jih ne shranjujete več kot 3 dni). Delno enkapsulirana predelana živila (živila, ki jih ni mogoče zamrzniti).
7	Hlajenje	-2 ~ +3	Sveža/zamrznjena svinjina, govedina, piščanec, sladkovodni proizvodi itd. (7 dni pod 0 °C, nad 0 °C je priporočljivo živila porabiti v istem dnevu, po možnosti jih ne shranjujete več kot 2 dni). Morski sadeži (15 dni pod 0 °C, ni priporočljivo shranjevati nad 0 °C).
8	Sveža živila	0 ~ +4	Sveža svinjina, govedina, ribe, piščanec, kuhana hrana itd. (priporočljivo je, da ta živila pojedete isti dan, po možnosti jih ne shranjujete več kot 3 dni)
9	Vino	+5 ~ +20	Rdeče vino, belo vino, penete vino itd.

## POZOR

kupljena živila shranjujete glede na predelke ali ciljno temperaturo shranjevanja.

# ČIŠČENJE IN VZDRŽEVANJE

## Splošno čiščenje

- Prah za hladilnikom in na tleh redno čistite za izboljšanje učinka hlajenja in varčevanje z energijo.
- Redno preverjajte tesnilo vrat, da se prepričate, da na njem ni ostankov. Tesnilo vrat očistite z mehko krpo, navlaženo z milnico ali razredčenim detergentom.
- Redno čistite notranjost hladilnika, da preprečite neprijetne vonjave.
- Pred čiščenjem notranjosti hladilnika izklopite napajanje, odstranite vso hrano, pijačo, police, predale itd.
- Notranjost hladilnika očistite z mehko krpo ali gobico, z dvema jedilnima žlicama sode bikarbone in približno litrom tople vode. Nato sperite z vodo in obrišite do čistega. Po čiščenju odprite vrata in pustite, da se naravno posuši, preden vklopite napajanje.
- Priporočljivo je, da območja v hladilniku, ki jih je težko očistiti (kot so ozki predeli, vrzeli ali vogali), redno brišete z mehko krpo, mehko ščetko ipd., in ko je potrebno, skupaj s pomožnimi orodji (na primer tankimi palčkami), da zagotovite, da se v teh območjih ne nabirajo onesnaževalci ali bakterije.
- Ne uporabljajte mila, detergenta, praška za drgnjenje, čistila v razpršilu ipd., saj lahko ti izdelki povzročijo neprijetne vonjave v notranjosti hladilnika ali kontaminirajo živila.
- Ogrodje za steklenice, police in predale očistite z mehko krpo, navlaženo z milnico ali razredčenim detergentom. Obrišite z mehko krpo ali pustite, da se naravno posuši.
- Zunanje površine hladilnika obrišite z mehko krpo, navlaženo z milnico, detergentom ipd., nato pa obrišite do suhega.
- Ne uporabljajte trdih ščetk, čistilnih jeklenih kroglic, žičnih krtač, abrazivnih sredstev (kot so paste za zobe), organskih topil (kot so alkohol, aceton, bananino olje ipd.), vrele vode, kislin ali alkalnih izdelkov, ki lahko poškodujejo površino in notranjost hladilnika. Vrela voda in organska topila, kot je benzen, lahko deformirajo ali poškodujejo plastične dele.
- Med čiščenjem ne izpirajte neposredno z vodo ali drugimi tekočinami, da preprečite kratke stike ali vplivanje na električno izolacijo po potopitvi.

## POZOR

Za odtajanje in čiščenje hladilnik odklopite z napajanja.

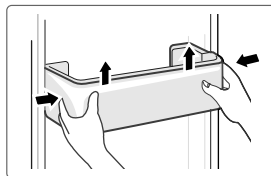
## Odtajanje

- Hladilnik je izdelan na osnovi principa zračnega hlajenja in ima tako funkcijo samodejnega odtajanja. Zmrzal, ki nastane zaradi spremembe letnega časa ali temperature, lahko tudi ročno odstranite tako, da napravo odklopite z napajanja ali da ga obrišete s suho brisačo.

SL

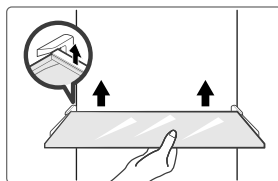
## Čiščenje pladnja na vratih

- Kot prikazuje smerne puščice na spodnji sliki, z obema rokama stisnite pladenj in ga potisnite navzgor, da ga odstranite.
- Potem ko ste očistili pladenj zunaj hladilnika, lahko prilagodite njegovo višino namestitve glede na vaše zahteve.



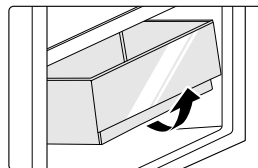
## Čiščenje steklene police

- V najbolj notranjem delu hladilnika se na polici nahaja zadnje varovalo, kjer se police dotikajo hladilnika; police morate dvigniti navzgor, da jih boste lahko odstranili.
- Police očistite ali jih prilagodite glede na vaše zahteve.



## Čiščenje predala za zelenjavo

1. Odstranite vsebino predala. Držite ročaj predala za zelenjavo in ga popolnoma izvlecite, dokler se ne ustavi.
2. Dvignite predal za zelenjavo in ga odstranite tako, da ga izvlečete.



SL

## Nedelovanje

### Izpad napajanja:

V primeru izpada napajanja lahko živila v notranjosti naprave hranite več ur, tudi poleti. Med trajanjem izpada napajanja zmanjšajte število odpiranja vrat in v napravo ne postavljajte novih svežih živil.

### Dolgotrajna neuporaba:

Napravo morate odklopiti z napajanja in jo nato očistiti. Nato pustite odprta vrata, da preprečite neprijetne vonjave.

### Premikanje:

Pred premikanjem hladilnika iz njega odstranite vse predmete, pritrdite steklene pregrade, predal za zelenjavo, predale v predelu zamrzovalnika in podobno s trakom ter privijte izravnalne noge. Zaprite vrata in jih pritrdite s trakom. Med premikanjem naprave ne smete položiti obrnjene od zgoraj navzdol ali vodoravno in je ne smete tresti; naklon med premikanjem naprave ne sme preseči 45°.

### ● POZOR

Ko napravo zaženete, mora delovati neprekinjeno. Delovanja naprave načeloma ne smete prekinjati, saj lahko to negativno vpliva na njeno življenjsko dobo.

# ODPRAVLJANJE TEŽAV

Naslednja preprosta vprašanja lahko reši uporabnik. Če težave ne odpravite, pokličite prodajni servis.

Težava	Možen razlog
Naprava ne deluje	• Preverite, ali je naprava priključena na napajanje ali če ima vtič dober stik v vtičnici
	• Preverite, ali je napetost prenizka
	• Preverite, ali je prišlo do izpada napajanja ali izpada delnih tokokrogov
Neprijeten vonj	• Živila z močnim vonjem morajo biti trdno ovita
	• Preverite, ali je v napravi pokvarjeno živilo
	• Očistite notranjost hladilnika
Dolgotrajno delovanje kompresorja	• Dolgotrajno delovanje hladilnika je običajno poleti, ko je temperatura okolice visoka
	• Priporočljivo je, da v napravi ni preveč živil hkrati
	• Živila se morajo ohladiti, preden jih postavite v napravo
	• Vrata se prepogosto odpirajo
Luč se ne vklopi	• Preverite, ali je hladilnik priklopljen na napajanje in ali je luč poškodovana
	• Luč naj zamenja strokovnjak
Vrat ni mogoče pravilno zapreti	• Vrata so se zataknila s paketi hrane
	• Hladilnik je nagnjen.
Glasi hrup	• Preverite, ali so tla ravna in ali je hladilnik stabilno postavljen
	• Preverite, ali je dodatna oprema nameščena na ustreznih mestih

SL

Težava	Možen razlog
Tesnila vrat ne tesnijo	<ul style="list-style-type: none"> <li>• Odstranite tujke s tesnil vrat</li> <li>• Segrejte tesnilo vrat in ga nato ohladite za obnovev (ali ga popihajte z električnim sušilnikom ali uporabite vročo brisačo za segretje)</li> </ul>
Izlivanje iz posode z vodo	<ul style="list-style-type: none"> <li>• V predelu je preveč živil ali pa shranjena živila vsebujejo preveč vode, kar povzroči močno odtajanje.</li> <li>• Vrata niso pravilno zaprta, kar povzroči nabiranje ledu zaradi vstopa zraka in povečanje količine vode zaradi odtajanja</li> </ul>
Vroče ohišje	<ul style="list-style-type: none"> <li>• Odvajanje toplote vgrajenega kondenzatorja prek ohišja, kar je normalno. Ko ohišje postane vroče zaradi visoke temperature okolja, shranjevanja prevelike količine živil ali izklopa kompresorja, zagotovite ustrezno prezračevanje za lažje odvajanje toplote.</li> </ul>
Kondenzacija na površini	<ul style="list-style-type: none"> <li>• Kondenzacija na zunanji površini in tesnilih vrat hladilnika je normalna, kadar je vlažnost v okolici previsoka. Kondenzat obrišite s čisto brisačo.</li> </ul>
Neobičajen hrup	<ul style="list-style-type: none"> <li>• Brnenje: Kompresor lahko med delovanjem oddaja brnenje, to brnenje pa je glasno zlasti ob začetku ali ustavitvi delovanja. To je normalno.</li> <li>• Škripanje: Hladilna tekočina, ki se pretaka v notranjosti naprave, lahko povzroči škripanje, kar je normalno.</li> </ul>



# PRILOGA

## Posebna določila za nov evropski standard

Naročene dele v naslednji tabeli lahko pridobite od kanala ponudnika storitev

Naročeni del	Zagotovi ga	Minimalni čas, zahtevan za zagotavljanje dela
Termostati	Pooblaščen servis	Najmanj 7 let po začetku prodaje zadnjega modela
Senzorji temperature	Pooblaščen servis	Najmanj 7 let po začetku prodaje zadnjega modela
Plošče tiskanega vezja	Pooblaščen servis	Najmanj 7 let po začetku prodaje zadnjega modela
Viri svetlobe	Pooblaščen servis	Najmanj 7 let po začetku prodaje zadnjega modela
Ročaji vrat	Profesionalni serviserji in končni uporabniki	Najmanj 7 let po začetku prodaje zadnjega modela
Tečaji vrat	Profesionalni serviserji in končni uporabniki	Najmanj 7 let po začetku prodaje zadnjega modela
Pladnji	Profesionalni serviserji in končni uporabniki	Najmanj 7 let po začetku prodaje zadnjega modela
Košare	Profesionalni serviserji in končni uporabniki	Najmanj 7 let po začetku prodaje zadnjega modela
Tesnila vrat	Profesionalni serviserji in končni uporabniki	Najmanj 10 let po začetku prodaje zadnjega modela

SL

## Spoštovani kupec

- Če želite vrniti ali zamenjati izdelek, se obrnite na prodajalno, v kateri ste ga kupili.  
(S sabo morate prinesiti račun o nakupu)
- Če se vaš izdelek pokvari in potrebuje popravilo, se obrnite na ponudnika poprodajnih storitev.

### POZOR

Podatke o modelu v podatkovni bazi izdelka in identifikator modela lahko dobite prek spletne povezave, ki jo dobite s skeniranjem QR-kode (če obstaja) na nalepki o energetske učinkovitosti izdelka.

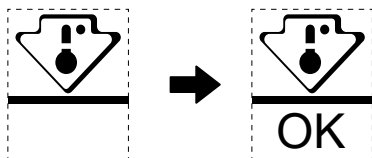
Za več informacij o energetske učinkovitosti naprave obiščite <https://ec.europa.eu> in iščite z uporabo imena modela.

Ime modela najdete na nazivni oznaki naprave.

## Najhladnejše območje v hladilniku

### NEOBVEZNO: OK-indikator temperature

- OK-indikator temperature lahko uporabite za določanje temperatur pod +4 °C. Postopoma znižujete temperaturo, če znak ne kaže "OK".



- Da zagotovite ustrezno temperaturo v tem območju, ne spreminjajte položaja police. Pri hladilnikih z dovajanjem zraka (modeli, opremljeni z ventilatorjem ali modeli Brez Zamrzovanja) simbol za najhladnejše območje ni prisoten, saj je temperatura v njih homogena.

### Nastavitev indikatorja temperature

- Za lažjo nastavitev hladilnika je ta opremljen z indikatorjem temperature, ki spremlja povprečno temperaturo najhladnejšega območja.
- OPOZORILO: Ta indikator je namenjen delovanju samo z vašim hladilnikom, ne uporabljajte ga v drugem hladilniku (najhladnejše območje pravzaprav ni enako) ali za nobeno drugo uporabo.

### Preverjanje temperature v najhladnejšem območju

- Z indikatorjem temperature lahko redno preverjate, da je temperatura najhladnejšega območja pravilna. Notranja temperatura hladilnika je odvisna od več dejavnikov, kot so temperatura okolice v prostoru, količina živil v hladilniku in pogostost odpiranja vrat. Pri nastavljanju naprave upoštevajte te dejavnike.
- Kadar indikator prikazuje »OK«, to pomeni, da je termostat ustrezno nastavljen in je notranja temperatura pravilna.
- Če se indikator temperature spremeni v BELEGA, to pomeni, da je temperatura previsoka. V tem primeru povečajte nastavitev temperature v hladilniku in počakajte 12 ur pred ponovnim vizualnim preverjanjem indikatorja. Če ste v hladilnik vstavili sveža živila ali če so bila odprta vrata, je mogoče, da se indikator temperature čez nekaj časa spremeni v BELEGA.

## SCRISOARE DE MULȚUMIRE

Vă mulțumim că ați ales Midea! Înainte de a utiliza noul dvs. produs Midea, vă rugăm să citiți acest manual cu atenție, pentru a vă asigura că știți cum să utilizați într-o manieră sigură caracteristicile și funcțiile pe care le oferă noul dvs. aparat.

# CUPRINS

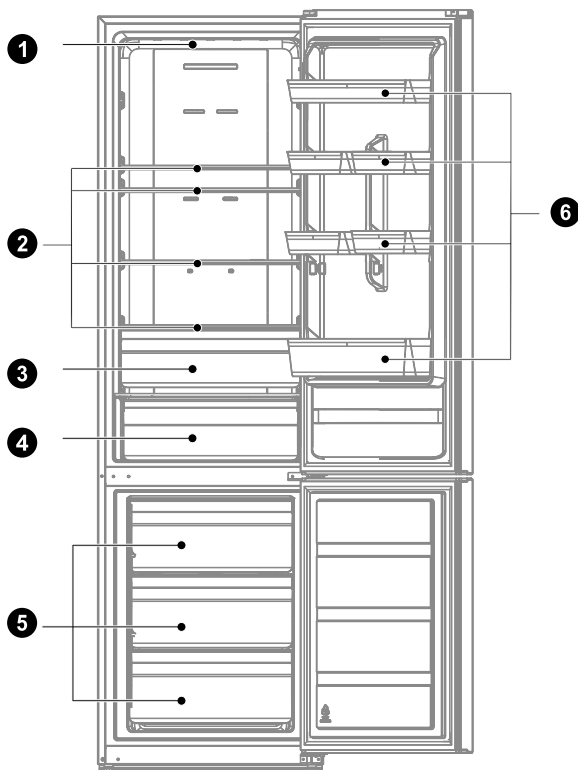
<b>SCRISOARE DE MULȚUMIRE</b> -----	01
<b>SPECIFICAȚII</b> -----	02
<b>PREZENTARE GENERALĂ A PRODUSULUI</b> -----	03
<b>INSTALAREA PRODUSULUI</b> -----	04
<b>INSTRUCȚIUNI DE OPERARE</b> -----	12
<b>CURĂȚAREA ȘI ÎNTREȚINEREA</b> -----	17
<b>DEPANAREA</b> -----	19
<b>ANEXĂ</b> -----	21

# SPECIFICAȚII

<b>Modelul produsului</b>	<b>MDRB489FGE</b>
Volumul compartimentului de depozitare pentru alimente proaspete	247 L
Volumul compartimentului de depozitare pentru alimente congelate	83 L
Tipul de dezghețare	Dezghețare automată
Durata de creștere a temperaturii	8 h
Capacitate de congelare	4 kg/24 h
Tensiune/frecvență nominală	220-240V~/50Hz
Curent nominal	0,7 A
Dimensiune totală (H x l x A)	2010x595x635 mm

# PREZENTARE GENERALĂ A PRODUSULUI

## Denumirile componentelor



- |   |                               |   |                  |
|---|-------------------------------|---|------------------|
| 1 | Iluminare LED                 | 4 | Sertar de răcire |
| 2 | Raft                          | 5 | Sertar           |
| 3 | Cutie pentru fructe și legume | 6 | Tavă ușă         |

### ● ATENȚIE

Imaginea de mai sus este doar pentru referință. Configurația reală va depinde de produsul fizic sau de declarația distribuitorului.

RO

# INSTALAREA PRODUSULUI

## Instrucțiuni de instalare

### Pentru aparate frigorifice cu clasă de climă

- În funcție de clasa de climă, acest aparat frigorific este destinat utilizării la intervalele de temperatură ambiantă specificate în tabelul următor.
- Clasa de climă poate fi găsită pe plăcuța de identificare. Produsul nu poate funcționa corespunzător la temperaturi în afara intervalului specificat.
- Puteți găsi clasa de climă pe eticheta produsului.

### Interval de temperatură eficace

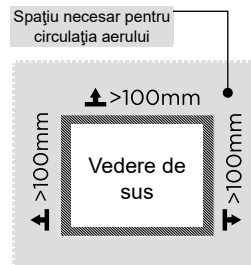
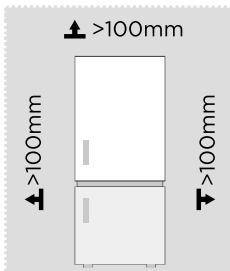
- Produsul este proiectat să funcționeze normal în intervalul de temperatură specificat pe plăcuța de identificare.

Clasă	Simbol	Interval de temperatură ambiantă	
		IEC 62552 (ISO 15502)	ISO 8561
Temperat extinsă	SN	de la + 10 până la + 32	de la + 10 până la + 32
Temperat	N	de la + 16 până la + 32	de la + 16 până la + 32
Subtropical	ST	de la + 16 până la + 38	de la + 18 până la + 38
Tropical	T	de la + 16 până la + 43	de la + 18 până la + 43

### Dimensiuni și distanțe

- O distanță prea mică față de obiectele învecinate poate duce la diminuarea capacității de congelare și costuri cu electricitatea ridicate. Lăsați o distanță de 100 mm față de fiecare perete învecinat atunci când instalați aparatul.

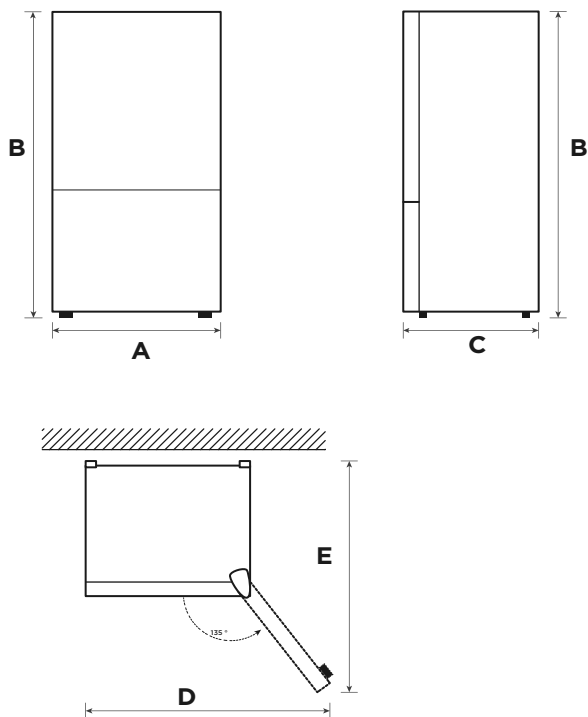
RO



### ATENȚIE

Imaginea de mai sus este doar pentru referință. Configurația reală va depinde de produsul fizic sau de declarația distribuitorului.

Diagrama spațiului necesar (când ușa este deschisă și când ușa este închisă)



RO

Lățime	Înălțime totală	Adâncime	Lățimea ușilor deschise 135°	Adâncimea ușilor deschise 135°
A	B	C	D	E
595	2010	635	1016	1186

Notă: Toate dimensiunile în mm

## Schimbare ușă dreapta-stânga (opțional)

În funcție de locul în care intenționați să utilizați frigiderul, este posibil să vi se pară mai convenabil să inversați poziția ușii.

### PRECAUȚIE

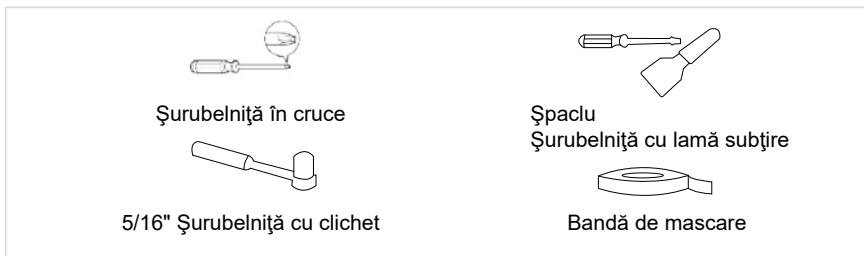
PRECAUȚIE: Pentru a evita rănirea dvs. sau a proprietății dvs., vă recomandăm ca cineva să vă ajute în timpul procesului de inversare a ușii.

Pregătirea pentru a inversa poziția ușii

Veți avea nevoie de: O șurubelniță standard, o șurubelniță Phillips și cheia Allen inclusă.

- Asigurați-vă că frigiderul este deconectat și gol.
- Aveți pe cineva disponibil pentru a vă ajuta în acest proces.
- Păstrați toate piesele pe care le eliminați pentru a le reutiliza mai târziu.

### Instrumente necesare pentru schimbarea ușii:



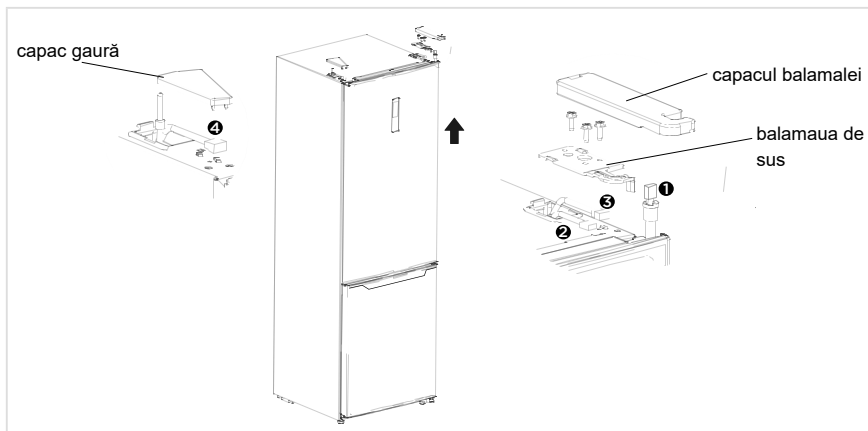
### Piese care trebuie utilizate pentru inversarea ușii

SN	Numele	Număr	NOTĂ
1	Manșon	1	Instalat în prealabil pe frigider și pentru a fi utilizat la schimbarea ușii
2	Șurub balama superioară	1	
3	Opritor dreapta	1	Premontată pe frigider, îndepărtată atunci când ușa se inversează și păstrată pentru utilizarea ulterioară
4	Asamblare capac balama	1	
5	Comutator coloană	1	Instalat în prealabil pe frigider și pentru a fi utilizat la schimbarea ușii
6	Capac balama dreapta	1	Premontată pe frigider, îndepărtată atunci când ușa se inversează și păstrată pentru utilizarea ulterioară
7	Balama superioară dreaptă	1	
8	Picior reglabil	1	Instalat în prealabil pe frigider și pentru a fi utilizat la schimbarea ușii
9	Pachet de accesorii	3	Balama superioară stângă/Capac balama superioară stânga/Opritor stânga
10	Ansamblu balama inferioară	1	Instalat în prealabil pe frigider și pentru a fi utilizat la schimbarea ușii
11	Șurub balama inferioară	2	
12	Placă de acoperire capăt	1	
13	Capac gaură	1	

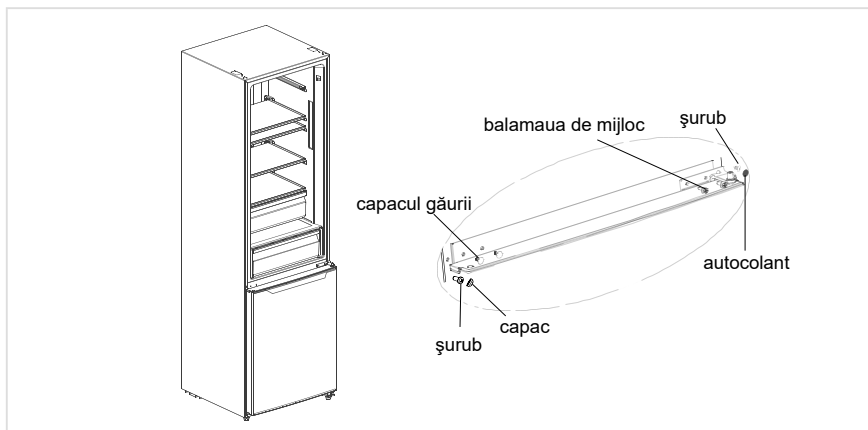


**Pas:**

1. Vă rugăm să opriți acest aparat înainte de a efectua această operație. Îndepărtați toate alimentele de pe rafturile ușii. Fixați ușa cu ajutorul benzilor.
2. Demontați capacul balamalei superioare, șuruburile și balamaua superioară și îndepărtați capacul găurii din cealaltă parte. Scoateți conectorul electric din partea dreaptă sus a frigiderului (1, 3 conector electric).

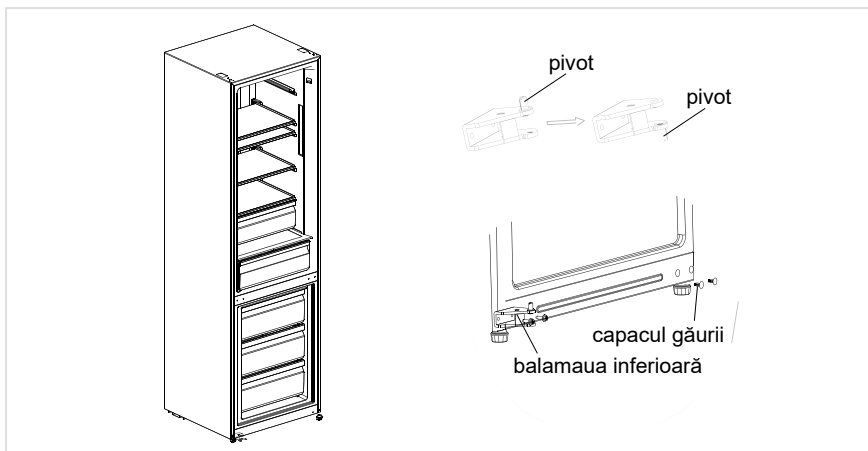


3. Scoateți ușa compartimentului de refrigerare, precum și capacul de mascare a șuruburilor, autocolantul și balamaua de mijloc, capacul găurii.



RO

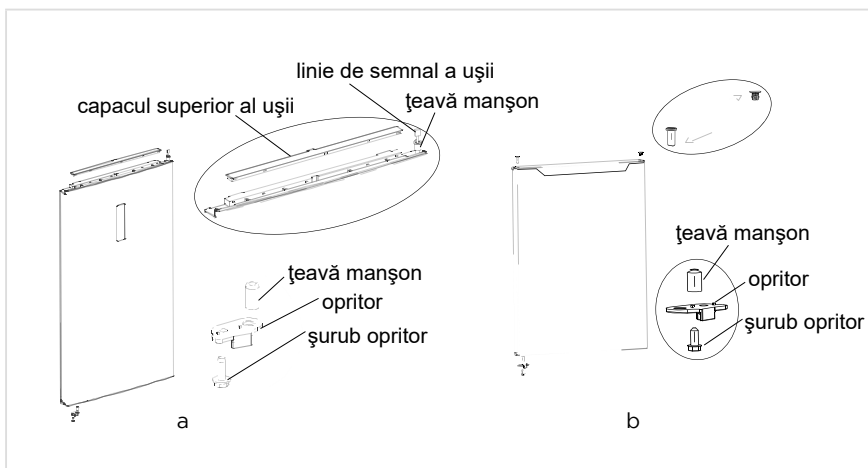
4. Scoateți ușa compartimentului de congelare, demontați balamaua inferioară, capacele găurilor. Montați axul balamalei inferioare pe cealaltă parte și montați balamaua inferioară pe cealaltă parte a grinzii inferioare.



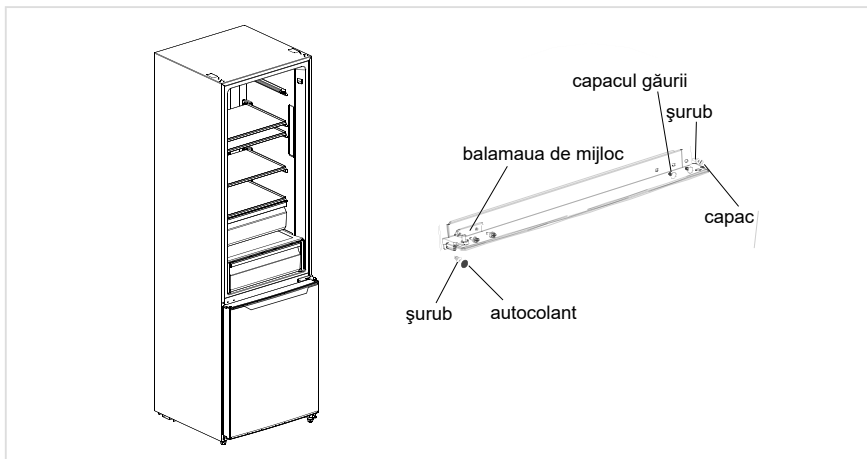
5. a) Demontați capacul superior al ușii compartimentului de refrigerare, montați manșonul balamalei superioare, linia de semnalizare a ușii pe cealaltă parte și montați capacul superior al ușii. Demontați opritorul și țeava manșonului din partea inferioară dreaptă a ușii compartimentului de congelare, scoateți un alt opritor de rezervă (pentru ușa reversibilă) și asamblați țeava manșonului și opritorul de rezervă în partea inferioară stângă a ușii prin înșurubare, montați manșonul balamalei superioare, linia de semnal a ușii în cealaltă parte și montați capacul superior al ușii.

b) Demontați opritorul și țeava manșonului din partea inferioară dreaptă a ușii compartimentului de congelare, scoateți un alt opritor de rezervă (pentru ușa reversibilă) și asamblați țeava manșonului și opritorul de rezervă în partea inferioară stângă a ușii prin înșurubare. Demontați conducta manșonului și capacele găurilor de la ușa compartimentului de congelare și montați-o pe cealaltă parte.

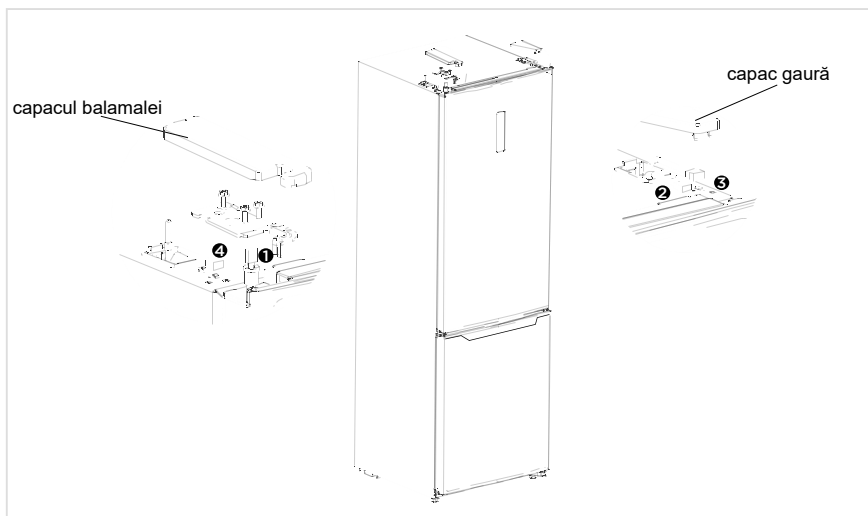
RO



6. Așezați ușa compartimentului de congelare pe balamaua inferioară, montați balamaua de mijloc, capacele de găuri, capacul cu șuruburi și autocolantul.



7. Scoateți balamaua superioară stângă, capacul balamalei superioare stângi din pachetul de accesorii. Așezați ușa compartimentului de refrigerare pe balamaua din mijloc, montați balamaua superioară. Conectați terminalul liniei de semnal 4 cu terminalul liniei de semnal 1, conectați terminalul liniei de semnal 2 cu terminalul liniei de semnal 3; montați capacul balamalei superioare și capacul găurii.



RO

**ATENȚIE**

Imaginea de mai sus este doar pentru referință. Configurația reală va depinde de produsul fizic sau de declarația distribuitorului.

## Amplasarea

- Înainte de utilizare, scoateți toate materialele de ambalare, inclusiv garniturile inferioare, plăcuțele din spumă și benzile din interiorul frigiderului; rupeți folia de protecție de pe ușile și corpul frigiderului.
- Țineți-l departe de căldură și evitați lumina directă a soarelui. Nu amplasați congelatorul în locuri cu umiditate sau unde este multă apă, pentru a preveni ruginirea sau reducerea efectului de izolare.
- Nu stropiți cu apă și nu spălați cu apă frigiderul; nu puneți frigiderul în locuri umede, unde se produce cu ușurință stropirea, pentru a nu afecta proprietățile de izolare electrică ale frigiderului.
- Frigiderul trebuie să fie plasat într-un spațiu interior, bine ventilat; podeaua trebuie să fie plană și rezistentă (dacă este instabil, rotiți spre stânga sau spre dreapta roțile de reglare a poziției orizontale).



## Picioarele de echilibrare

Pentru a evita vibrațiile, unitatea trebuie să fie nivelată.

Dacă este necesar, reglați șuruburile de nivelare pentru a compensa podeaua neuniformă.

Partea din față trebuie să fie puțin mai înaltă decât partea din spate pentru a ajuta la închiderea ușii.

Șuruburile de nivelare pot fi rotite cu ușurință prin înclinarea ușoară a dulapului.

Rotiți șuruburile de nivelare în sensul invers acelor de ceasornic  pentru a ridica unitatea, în sensul acelor de ceasornic  pentru a-l coborî.

## Mutarea aparatului

1. Scoateți toate alimentele din interiorul aparatului.
2. Scoateți ștecherul, introduceți-l și fixați-l în cârligul ștecherului din spate sau deasupra aparatului.
3. Piese de bandă, cum ar fi rafturile și mânerul ușii, pentru a preveni căderea în timpul deplasării aparatului.
4. Muțați aparatul în mai mult de două persoane și cu atenție. Când transportați aparatul la o distanță lungă, păstrați aparatul în poziție verticală.
5. După instalarea aparatului, conectați fișa de alimentare la o priză pentru a porni aparatul.

### ATENȚIE

Precauții înainte de operare:

Înainte de a efectua modificări, frigiderul trebuie deconectat de la alimentare. Trebuie luate măsuri de precauție pentru a preveni orice vătămare corporală.

## Schimbarea luminii

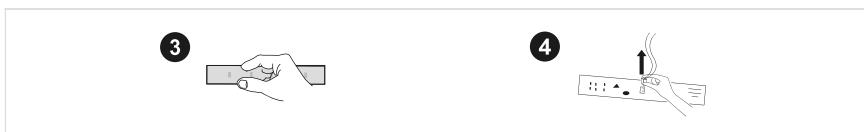
- Orice înlocuire sau întreținere a lămpilor LED, trebuie realizată de către producător, agentul de servicii sau o persoană similară calificată. Acest produs conține o sursă de lumină de clasă de eficiență energetică <F>.

### Pasul

1. Vă rugăm să scoateți ștecherul înainte de eliminare.
2. Îndepărtați abajurul cu o șurubelniță.



3. Dați jos plăcuța lămpii.
4. Îndepărtați terminalul conectorului.



## Conectarea aparatului

Înainte de pornirea inițială, frigiderul trebuie lăsat timp de 2 ore înainte de a-l conecta la sursa de alimentare.

### ATENȚIE

Înainte de a pune alimente proaspete sau congelate, frigiderul trebuie să funcționeze 2-3 ore sau mai mult de 4 ore vara când temperatura ambiantă este ridicată.

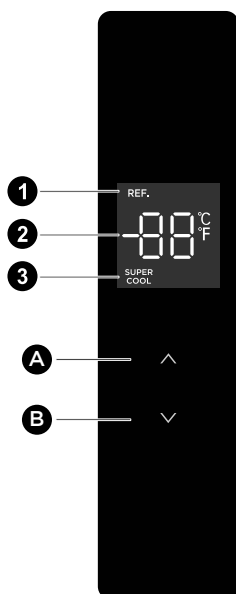
RO

## Sfaturi pentru economisirea energiei

- Aparatul trebuie să fie amplasat în zona cea mai răcoasă a încăperii, departe de aparatele producătoare de căldură sau de țevile de încălzire și de lumina directă a soarelui.
- Lăsați alimentele calde să se răcească la temperatura camerei înainte de a le introduce în aparat. Supraîncărcarea aparatul obligă compresorul să funcționeze mai mult. Alimentele care se congelează prea lent își pot pierde calitatea sau se pot altera.
- Asigurați-vă că alimentele sunt împachetate corespunzător și că recipientele sunt uscate înainte de a fi introduse în frigider. Acest lucru reduce formarea gheții în interiorul aparatului.
- Coșul de depozitare al aparatului nu trebuie căptușit cu folie de aluminiu, hârtie cerată sau prosoape de hârtie. Căptușelile interferează cu circulația aerului rece, ceea ce face ca aparatul să fie mai puțin eficient.
- Organizați și etichetați alimentele pentru a reduce deschiderea ușilor și căutările extinse. Scoateți cât mai multe articole necesare la un moment dat și închideți ușa cât mai curând posibil.

# INSTRUCȚIUNI DE OPERARE

## Panou de control



### ● ATENȚIE

Imaginea de mai sus este doar pentru referință. Configurația reală va depinde de produsul fizic sau de declarația distribuitorului.

RO

### Tastă

- |   |                                    |
|---|------------------------------------|
| A | Butonul de creștere a temperaturii |
| B | Butonul de scădere a temperaturii  |

### Afișaj

- |   |                                      |
|---|--------------------------------------|
| 1 | Pictograma de refrigerare            |
| 2 | Pictograma de afișare a temperaturii |
| 3 | Simbol super-răcire                  |

## Afișaj

- Când porniți frigiderul pentru prima dată, întregul panou de afișaj va străluci timp de 3 secunde. Apoi, panoul de afișaj intră în afișajul normal. Lumina de afișare a ușii deschise se aprinde; când ușa se închide, lumina de afișare se stinge. La prima utilizare a frigiderului, temperaturile setate în mod implicit pentru compartimentul de refrigerare sunt de 5 °C.
- Atunci când survin erori, pe afișaj apare codul de eroare. Altfel, panoul de afișaj indică temperatura setată.

## Setarea temperaturii

- Prin apăsarea butonului de creștere a temperaturii „Λ”, se poate seta temperatura; la fiecare clic al butonului de creștere a temperaturii „Λ”, temperatura setată va crește cu 1 °C; Prin apăsarea butonului de scădere a temperaturii „∇”, se poate seta temperatura; la fiecare clic al butonului de scădere a temperaturii „∇”, temperatura setată va scădea cu 1 °C; Intervalul de setare a temperaturii camerei de refrigerare este de 2~8 °C. Când temperatura este setată la valoarea limită, frigiderul va emite o alarmă dacă butonul de creștere a temperaturii „Λ” sau butonul de creștere a temperaturii „∇” este încă apăsat.

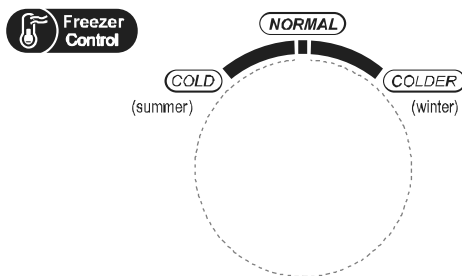
## Setați modul

- Setați modul de super răcire: după ce temperatura compartimentului de refrigerare este setată la 2 °C, apăsați butonul de scădere a temperaturii „∇” pentru a intra în modul de super răcire. În modul de super răcire, temperatura compartimentului de refrigerare este setată automat la 2 °C.
- Ieșiți din modul de super răcire: apăsați butonul de creștere a temperaturii „Λ” pentru a ieși din modul de super răcire sau pentru a ieși automat din modul de super răcire după 6 ore. După ieșirea din modul de super răcire, temperatura frigiderului va reveni automat la temperatura setată înainte de modul de super răcire.

## Controlul alarmei de deschidere

- Dacă ușa nu este închisă în două minute, soneria va suna până când ușa va fi închisă. Apăsați orice buton pentru a opri alarma.

## Reglarea temperaturii poate ieși din modul de răcire rapidă



## Controlul temperaturii compartimentului de congelare

- Temperatura de congelare este relativ scăzută în poziția „COLDER”, în timp ce temperatura de congelare este relativ ridicată în poziția „COLD”, astfel încât, în general, se utilizează poziția „NORMAL”.
- Când temperatura ambiantă este ridicată în timpul verii, temperatura trebuie să fie cuprinsă între „NORMAL” și „COLD”. În cazul în care temperatura ambiantă este mai mare de 35 °C, atunci va prevala poziția „COLD”.
- Când temperatura ambiantă este scăzută în timpul iernii, temperatura trebuie să fie cuprinsă între „NORMAL” și „COLDER”. În cazul în care temperatura ambiantă este mai mică de 10 °C, atunci va prevala poziția „COLDER”.

## Avertismentul de deschidere și controlul alarmei

- Când deschideți ușa frigiderului, se va auzi sunetul de deschidere a ușii. Dacă ușa nu este închisă în două minute, soneria va continua să sune până când ușa este închisă. Apăsăți orice buton pentru a opri alarma.

## Indicarea erorii

- Următoarele avertismente care apar pe afișaj indică defecțiunile corespunzătoare ale frigiderului.
- Deși frigiderul poate îndeplini încă funcția de depozitare la rece cu următoarele erori, utilizatorul se va adresa unui specialist de întreținere pentru reparații, pentru a asigura funcționarea optimizată a aparatului.

Cod eroare	Descrierea erorii
E1	Defectarea senzorului de temperatură al compartimentului frigorific
E2	Defectarea senzorului de temperatură al compartimentului de congelare
E3	Defectarea senzorului de temperatură al sertarului de răcire
E5	Eroare a circuitului de detectare a înghețării senzorului de decongelare
E6	Eroare de comunicație
E7	Eroare a senzorului de temperatură ambiantă



## Compartiment frigorific

- Compartimentul frigiderului este potrivit pentru depozitarea unei varietăți de fructe, legume, băuturi și alte alimente consumate pe termen scurt. Timp de depozitare sugerat: de la 3 zile până la 5 zile.
- Alimentele gătite nu trebuie introduse în compartimentul frigorific, decât răcite la temperatura camerei.
- Alimentele se recomandă să fie acoperite înainte de a fi introduse în frigider.
- Rafturile din sticlă pot fi reglate în sus sau în jos pentru un volum rezonabil de depozitare și o utilizare ușoară.

## Compartiment de congelare

- Camera de congelare la temperatură scăzută poate menține alimentele proaspete pentru o lungă perioadă de timp și este utilizată în principal pentru depozitarea alimentelor congelate și producerea de gheață.
- Compartimentul congelatorului este potrivit pentru depozitarea cărnii, a peștelui, a bilelor de orez și a altor alimente care nu vor fi consumate pe termen scurt.
- Bucățile de carne trebuie împărțite de preferință în bucăți mici pentru înghețare rapidă și acces ușor. Vă rugăm să rețineți că produsele alimentare trebuie consumate în termenul de valabilitate.

## Sertar de răcire

- Potrivit pentru termen scurt (1-3 zile) pentru a consuma pește proaspăt, carne proaspătă, alimente proaspete etc.
- Aproape de partea din spate și de fundul sertarului, alimentele pot fi înghețate, iar alimentele care nu trebuie înghețate nu pot fi depozitate acolo.
- Se sugerează clasificarea alimentelor și un ambalaj de sigilare.

### ATENȚIE

Notă: Depozitarea unei cantități prea mari de alimente în timpul funcționării după conectarea inițială la curent, poate afecta negativ efectul de congelare al frigiderului.

Comandă	TIP de compartimente	Temperatura țintă de depozitare. [°C]	Alimente adecvate
1	Frigider	+2 ~ +8	Ouăle, alimentele gătitе, alimentele ambalate, fructele și legumele, produsele lactate, prăjiturile, băuturile și alte alimente nu sunt potrivite pentru congelare.
2	(****)* – Congelator	≤ -18	Fructe de mare (pește, creveți, crustacee), produse acvatice de apă dulce și produse din carne (recomandat pentru 3 luni, cu atât timpul de depozitare este mai lung, cu atât gustul și valoarea nutritivă se degradează mai puternic), sunt adecvate pentru congelare atunci când sunt proaspete.
3	*** – Congelator	≤ -18	Fructe de mare (pește, creveți, crustacee), produse acvatice de apă dulce și produse din carne (recomandat pentru 3 luni, cu atât timpul de depozitare este mai lung, cu atât gustul și valoarea nutritivă se degradează mai puternic), sunt adecvate pentru congelare atunci când sunt proaspete.
4	** – Congelator	≤ -12	Fructe de mare (pește, creveți, crustacee), produse acvatice de apă dulce și produse din carne (recomandat pentru 3 luni, cu atât timpul de depozitare este mai lung, cu atât gustul și valoarea nutritivă se degradează mai puternic), sunt adecvate pentru congelare atunci când sunt proaspete.
5	* – Congelator	≤ -6	Fructe de mare (pește, creveți, crustacee), produse acvatice de apă dulce și produse din carne (recomandat pentru 3 luni, cu atât timpul de depozitare este mai lung, cu atât gustul și valoarea nutritivă se degradează mai puternic), sunt adecvate pentru congelare atunci când sunt proaspete.
6	0 stele	-6 ~ 0	Carne proaspătă de porc, vită, pește, pui, unele alimente procesate ambalate etc. (Se recomandă consumul în aceeași zi, de preferință în cel mult 3 zile). Alimente procesate parțial încapsulate (alimente care nu pot fi congelate).
7	Rece	-2 ~ +3	Carne de porc, carne de vită, carne de pui, produse acvatice de apă dulce etc. proaspete/congelate (7 zile sub 0 °C și peste 0 °C este recomandat să fie consumate în acea zi, de preferință nu mai mult de 2 zile). Fructe de mare (mai puțin de 0 °C timp de 15 zile, nu se recomandă păstrarea la temperaturi mai mari de 0 °C).
8	Alimente proaspete	0 ~ +4	Carne de porc, vită, pește, pui proaspătă, mâncare gătită etc. (se recomandă să fie consumate în aceeași zi, de preferință nu după mai mult de 3 zile)
9	Vin	+5 ~ +20	Vin roșu, vin alb, vin spumant etc.

## ATENȚIE

Vă rugăm să depozitați alimentele diferite în compartimentele corespunzătoare sau în funcție de temperatura țintă de depozitare a acestora.

# CURĂȚAREA ȘI ÎNTREȚINEREA

## Curățarea generală

- Prafurile din spatele frigiderului și de pe podea trebuie curățate în timp util pentru a îmbunătăți efectul de răcire și economia de energie.
- Verificați periodic garnitura ușii pentru a vă asigura că nu există resturi. Curățați garnitura ușii cu o cârpă moale umezită cu apă cu săpun sau detergent diluat.
- Interiorul frigiderului trebuie curățat regulat pentru a evita mirosurile neplăcute.
- Vă rugăm să opriți alimentarea înainte de a curăța interiorul, îndepărtați toate alimentele, băuturile, rafturile, sertarele etc.
- Folosiți o cârpă moale sau un burete pentru a curăța interiorul frigiderului, cu două linguri de bicarbonat de sodiu și un litru de apă caldă. Apoi clătiți cu apă și ștergeți cu o cârpă curată. După curățare, deschideți ușa și lăsați aparatul să se usuce natural înainte de a-l porni.
- Pentru zonele care sunt dificil de curățat în frigider (cum ar fi sandvișuri înguste, goluri sau colțuri), se recomandă ștergerea regulată a acestora cu o cârpă moale, perie moale etc. și, dacă este necesar, combinată cu unele instrumente auxiliare (cum ar fi bastoane subțiri) pentru a nu se acumula contaminanți sau bacterii în aceste zone.
- Nu folosiți săpun, detergent, pudră abrazivă, aparat de curățat, etc., deoarece acestea pot provoca mirosuri neplăcute în interiorul frigiderului sau contaminarea alimentelor.
- Curățați cadrul sticlei, rafturile și sertarele cu o cârpă moale umezită cu apă cu săpun sau detergent diluat. Uscați cu o cârpă moale sau uscați natural.
- Ștergeți suprafața exterioră a frigiderului cu o cârpă moale înmuiată cu apă cu săpun, detergent etc. și apoi ștergeți-o.
- Nu utilizați perii dure, bile de oțel curate, perii de sârmă, abrazivi (cum ar fi paste de dinți), solvenți organici (precum alcool, acetonă, ulei de banane etc.), apă clocotită, obiecte acide sau alcaline, care pot deteriora suprafața frigiderului și interiorului. Apa fiartă și solvenții organici, cum ar fi benzenul, pot deforma sau deteriora părțile din plastic.
- Nu clătiți direct cu apă sau alte lichide în timpul curățării pentru a evita scurtcircuitele sau afectarea izolației electrice după scufundare.

RO

### ATENȚIE

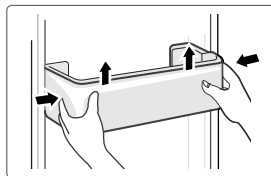
Deconectați frigiderul pentru operațiunile de decongelare și curățare.

## Decongelarea

- Frigiderul este realizat pe baza principiului răcirii aerului, prin urmare dispune de o funcție de decongelare automată. Gheața formată din cauza schimbării anotimpului sau a temperaturii poate fi de asemenea îndepărtată manual prin deconectarea aparatului de la sursa de alimentare sau prin ștergere cu un prosop uscat.

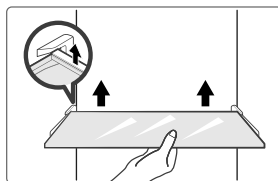
## Curățarea tăvii din ușă

- Conform săgeții de direcție din figura de mai jos, folosiți ambele mâini pentru a strânge tava și împingeți-o în sus, apoi o puteți scoate.
- După ce ați spălat tava, puteți regla înălțimea de instalare în funcție de cerințele dvs.



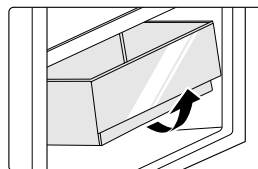
## Curățarea raftului de sticlă

- Deoarece partea cea mai interioară a căptușelii frigiderului în care contactul cu rafturile are o barieră, veți ridica rafturile în sus, apoi le veți putea scoate.
- Reglați sau curățați rafturile în funcție de cerințele dumneavoastră.



## Curățarea sertarului pentru legume

1. Scoateți conținutul sertarului. Apucați de mânerul sertarului pentru legume și trageți-l complet până când se oprește.
2. Ridicați sertarul pentru legume și scoateți-l trăgându-l în afară.



## Scoaterea din uz

### Pană de curent:

În caz de întrerupere a energiei electrice, chiar dacă este vara, alimentele din interiorul aparatului pot fi păstrate câteva ore; în timpul penei de curent, timpul de deschidere a ușii trebuie redus și nu trebuie introduse alimente proaspete în aparat.

### Neutilizare pe termen lung:

Aparatul trebuie deconectat și apoi curățat; apoi ușile vor fi lăsate deschise pentru a preveni mirosul.

### Mutare:

Înainte de a muta frigiderul, scoateți toate obiectele din interior, fixați pereții despărțitori de sticlă, suportul pentru legume, sertarele compartimentului de congelare etc. cu bandă adezivă și strângeți picioarele de nivelare; închideți ușile și fixați-le cu bandă adezivă. În timpul deplasării, aparatul nu trebuie așezat cu susul în jos sau orizontal, sau vibrat; înclinația în timpul mișcării nu trebuie să depășească 45°.

### ● ATENȚIE

Aparatul ar trebui să funcționeze continuu, odată ce a fost pornit. În general, funcționarea aparatului nu trebuie întreruptă; în caz contrar, durata de viață poate fi afectată.

# DEPANAREA

Următoarele probleme simple trebuie remediate de utilizator. Adresați-vă departamentului de servicii post-vânzare dacă problemele nu se remediază.

Problemă	Cauză posibilă
Funcționare eșuată	• Verificați dacă aparatul este conectat la energie sau dacă priza este într-un contact bun
	• Verificați dacă tensiunea este prea mică
	• Verificați dacă există o pană de curent sau dacă circuitele parțiale s-au declanșat
Miros neplăcut	• Alimentele mirositoare trebuie să fie împachetate strâns
	• Verificați dacă există alimente alterate
	• Curățați interiorul frigiderului
Funcționarea pe termen lung a compresorului	• Funcționarea îndelungată a frigiderului este normală vara când temperatura ambiantă este ridicată.
	• Nu se recomandă să păstrați prea multe alimente în aparat în același timp.
	• Alimentele trebuie să se răcească înainte de a fi puse în aparat
	• Ușile sunt deschise prea des
Lumina nu se aprinde	• Verificați dacă frigiderul este conectat la sursa de alimentare și dacă lumina iluminatoare este deteriorată
	• Solicitați înlocuirea luminii de către un specialist
Ușa nu poate fi închisă corect	• Ușa este blocată de pachetele de alimente.
	• Frigiderul este înclinat.
Zgomot puternic	• Verificați dacă podeaua este plană și dacă frigiderul este așezat stabil
	• Verificați dacă accesoriile sunt amplasate în locații adecvate

RO

<b>Problemă</b>	<b>Cauză posibilă</b>
Etanșarea ușii nu este strânsă	<ul style="list-style-type: none"> <li>• Îndepărtați obiectele străine de pe garnitura ușii</li> <li>• Încălziți garnitura ușii și apoi răciți-o pentru restaurare (sau folosiți un uscător electric, sau un prosop fierbinte pentru încălzire).</li> </ul>
Tava colectoare de apă se revarsă	<ul style="list-style-type: none"> <li>• Există prea multe alimente în cameră sau alimentele depozitate conțin prea multă apă, ducând la o decongelare puternică.</li> <li>• Ușile nu sunt închise corespunzător, ceea ce duce la înghețare din cauza pătrunderii aerului și a cantității mari de apă cauzate de dezghețare</li> </ul>
Carcasă fierbinte	<ul style="list-style-type: none"> <li>• Căldura condensatorului încorporat este disipată prin intermediul carcasei, acest lucru fiind normal. În cazul în care carcasa se înfierbântă din cauza temperaturii ambiante ridicate, stocării unei cantități prea mari de alimente sau opririi compresorului, asigurați ventilarea puternică pentru a ușura disiparea căldurii.</li> </ul>
Condensarea suprafeței	<ul style="list-style-type: none"> <li>• Condensarea pe suprafața exterioară și etanșările ușilor frigiderului este normală atunci când umiditatea ambientală este prea mare. ștergeți condensul cu un prosop curat.</li> </ul>
Zgomot anormal	<ul style="list-style-type: none"> <li>• Bâzâit: Compresorul poate produce sunete în timpul funcționării, iar sunetele sunt puternice în special la pornire sau oprire. Acest lucru este normal.</li> <li>• Scârțâit: Curgerea agentului frigorific în interiorul aparatului poate produce scârțâit, lucru care este normal.</li> </ul>

# ANEXĂ

## Special pentru noul standard european

Piese comandate în tabelul următor pot fi achiziționate de la canalul furnizorului de servicii

Piesa comandată	Furnizat de	Timpul minim necesar pentru furnizare
Termostate	Personal de întreținere profesionist	La cel puțin 7 ani de la lansarea pe piață a ultimului model
Senzori de temperatură	Personal de întreținere profesionist	La cel puțin 7 ani de la lansarea pe piață a ultimului model
Plăci cu circuite imprimate	Personal de întreținere profesionist	La cel puțin 7 ani de la lansarea pe piață a ultimului model
Surse de lumină	Personal de întreținere profesionist	La cel puțin 7 ani de la lansarea pe piață a ultimului model
Mănerile ușilor	Reparatori profesioniști și utilizatori finali	La cel puțin 7 ani de la lansarea pe piață a ultimului model
Balamale de ușă	Reparatori profesioniști și utilizatori finali	La cel puțin 7 ani de la lansarea pe piață a ultimului model
Tăvi	Reparatori profesioniști și utilizatori finali	La cel puțin 7 ani de la lansarea pe piață a ultimului model
Coșuri	Reparatori profesioniști și utilizatori finali	La cel puțin 7 ani de la lansarea pe piață a ultimului model
Garnitura ușii	Reparatori profesioniști și utilizatori finali	La cel puțin 10 ani de la lansarea pe piață a ultimului model

RO

## Stimate client

1. Dacă doriți să returnați sau să înlocuiți produsul, vă rugăm să contactați magazinul de unde l-ați cumpărat.  
(Nu uitați să aduceți factura de cumpărare)
2. Dacă produsul dvs. se defectează și trebuie reparat, contactați furnizorul de servicii post-vânzare.

## ● ATENȚIE

Informațiile privind modelul din baza de date cu produse, precum și codul de identificare a modelului pot fi aflate cu ajutorul unui link web obținut prin scanarea codului QR de pe eticheta de eficiența energetică a produsului, dacă acest cod există.

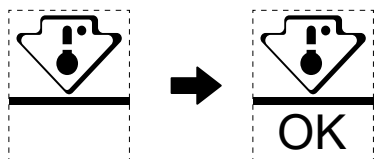
Pentru informații suplimentare despre eficiența energetică a aparatului, vizitați <https://ec.europa.eu> și căutați utilizând numele modelului.

Numele modelului poate fi găsit pe plăcuța indicatoare a aparatului.

## Zona cea mai rece a frigiderului

### OPȚIONAL: Indicator de temperatură OK

- Indicatorul de temperatură OK poate fi utilizat pentru a determina temperaturi sub +4 °C. Reduceți treptat temperatura dacă semnul nu indică „OK”.



- Pentru a menține temperatura în această zonă, nu modificați poziția raftului. În frigiderele cu circulație forțată a aerului (dotate cu un ventilator sau cu tehnologie care împiedică formarea gheții în interior), simbolul celei mai reci zone nu este reprezentat, deoarece temperatura internă este omogenă.

### Setarea indicatorului de temperatură

- Pentru a vă ajuta să reglați frigiderul bine, acesta este dotat cu un indicator de temperatură care va monitoriza temperatura medie în zona cea mai rece.
- AVERTISMENT: Acest indicator este proiectat să funcționeze numai cu frigiderul dvs. Nu-l folosiți așadar într-un alt frigider (de fapt, zona cea mai rece nu este aceeași) sau pentru orice altă utilizare.

### Verificarea temperaturii în zona cea mai rece

- Cu ajutorul indicatorului de temperatură puteți verifica regulat dacă temperatura celei mai reci zone este corectă. Într-adevăr, temperatura în interiorul frigiderului depinde de mai mulți factori precum temperatura ambiantă a camerei, cantitatea de alimente stocată și frecvența de deschidere a ușii. Țineți seama de acești factori atunci când setați aparatul.
- Atunci când indicatorul arată „OK”, înseamnă că termostatul este bine reglat și că temperatura internă este corectă.
- Dacă indicatorul de temperatură devine ALB, înseamnă că temperatura este prea mare; în acest caz, măriți setarea de control a temperaturii frigiderului și așteptați timp de 12 ore înainte de a verifica din nou indicatorul. Dacă s-au introdus alimente proaspete sau dacă ușa a fost lăsată deschisă, este posibil ca indicatorul de temperatură să devină ALB după un timp.



## **БЛАГОДАРНОСТИ**

Благодарим Ви, че избрахте Midea! Преди да използвате новия си уред Midea, прочетете внимателно това ръководство, за са сте сигурни, че знаете как да използвате безопасно функциите, които този нов уред предлага.

# СЪДЪРЖАНИЕ

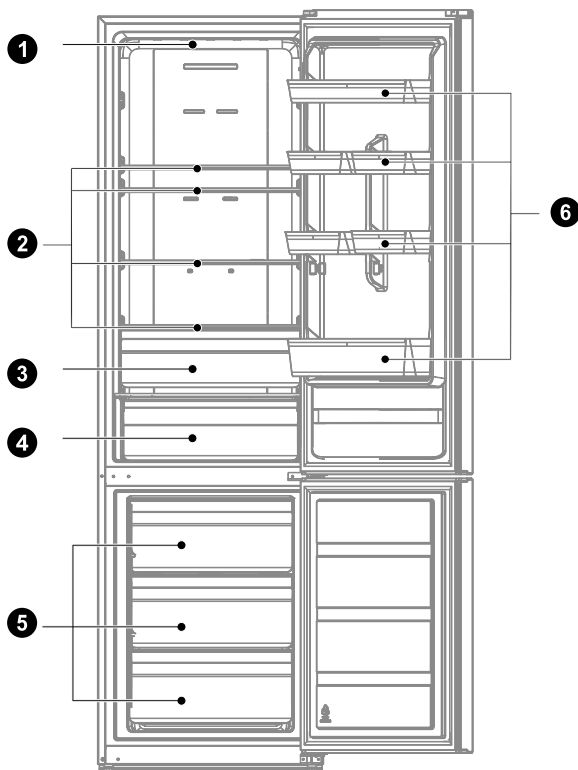
<b>БЛАГОДАРНОСТИ</b> .....	01
<b>СПЕЦИФИКАЦИИ</b> .....	02
<b>ПРЕГЛЕД НА ПРОДУКТА</b> .....	03
<b>МОНТИРАНЕ НА ПРОДУКТА</b> .....	04
<b>ИНСТРУКЦИИ ЗА РАБОТА</b> .....	12
<b>ПОЧИСТВАНЕ И ПОДДРЪЖКА</b> .....	17
<b>ОТСТРАНЯВАНЕ НА ПРОБЛЕМИ</b> .....	19
<b>ДОПЪЛНЕНИЕ</b> .....	21

# СПЕЦИФИКАЦИИ

Модел на продукта	MDRB489FGE
Обем на отделението за съхранение на пресни продукти	247 L
Обем за съхранение на замразени храни	83 L
Тип размразяване	Автоматично размразяване
Време за повишаване на температурата	8 часа
Капацитет за замразяване	4 kg / 24 часа
Номинално напрежение/честота	220-240V~/50Hz
Номинален ток	0,7A
Общи размери (В x Ш x Д)	2010x595x635 mm

# ПРЕГЛЕД НА ПРОДУКТА

## Наименования на компонентите



- |   |                              |   |                       |
|---|------------------------------|---|-----------------------|
| 1 | LED осветление               | 4 | Чекмедже за охлаждане |
| 2 | Рафт                         | 5 | Чекмедже              |
| 3 | Кутия за плодове и зеленчуци | 6 | Тава на вратата       |

### ЗАБЕЛЕЖКА

Горното изображение е само за справка. Действителната конфигурация зависи от самия продукт или дистрибутора.

# МОНТИРАНЕ НА ПРОДУКТА

## Инструкции за монтиране

### За хладилни уреди с климатичен клас

- В зависимост от климатичния клас, този хладилен уред е предназначен за употреба при посочените в долната таблица температурни диапазони.
- Климатичният клас е посочен на табелката на уреда. Продуктът може да не работи оптимално при температури извън посочения диапазон.
- Климатичният клас на продукта е посочен върху неговия етикет.

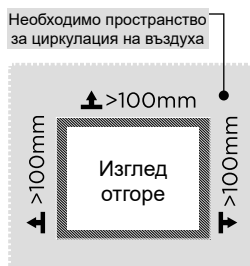
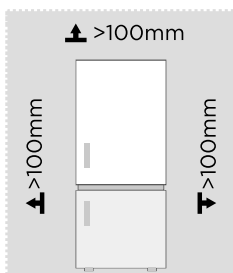
### Температурен диапазон на ефективност

- Продуктът е проектиран да работи нормално в указания за неговия клас температурен диапазон.

Клас	Символ	Диапазон на околната температура ° C	
		IEC 62552 (ISO 15502)	ISO 8561
Разширен клас за умерен климат	SN	+10 до +32	+10 до +32
Клас за умерен климат	N	+16 до +32	+16 до +32
Клас за субтропичен климат	ST	+16 до +38	+18 до +38
Клас за тропичен климат	T	+16 до +43	+18 до +43

### Размери и отстояния

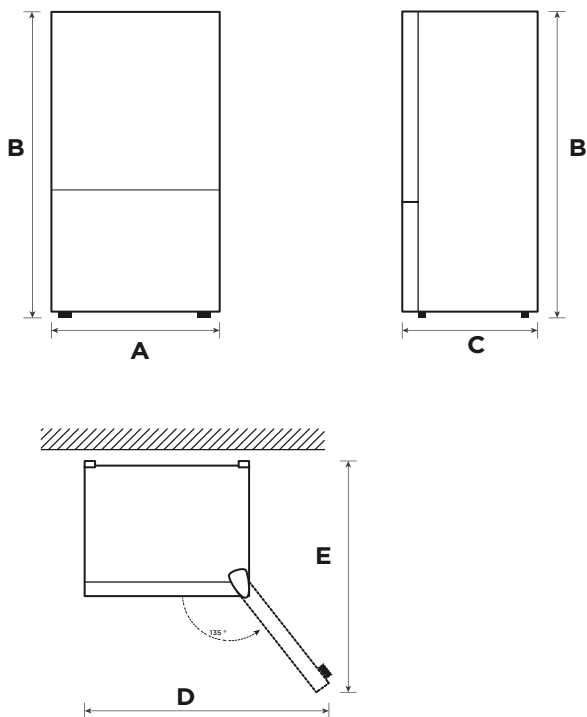
- Твърде малкото разстояние от околните предмети може да доведе до влошаване на възможностите за замразяване и увеличаване на разходите за електричество. Когато инсталирате уреда, осигурете поне 100 mm разстояние от всички околни стени.



### ЗАБЕЛЕЖКА

Горното изображение е само за справка. Действителната конфигурация зависи от самия продукт или дистрибутора.

Диаграма на изискванията за пространство (при отворена врата и при затворена врата)



BG

Ширина	Обща височина	Дълбочина	Ширина при отворени на 135° врати	Дълбочина при отворени на 135° врати
A	B	C	D	E
595	2010	635	1016	1186

Забележка: Всички размери са в mm

## Смяна отварянето на вратата дясно-ляво (опция)

Въз основа на мястото, на което искате да използвате хладилника, можете да промените позицията на вратата.

### **ВНИМАНИЕ**

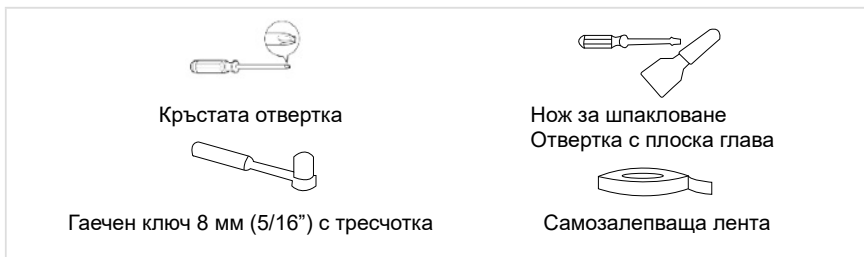
**ВНИМАНИЕ:** За да избегнете нараняване или щети, препоръчваме някой да ви помогне в процеса на обръщане на позицията на вратата.

Подготовка за промяна на позицията на вратата

Ще имате нужда от: Стандартна отвертка, отвертка Phillips и включения в доставката гаечен ключ.

- Уверете се, че хладилникът е изключен и празен.
- Осигурете някой да ви помага в процеса.
- Запазете всички части, които сваляте, за да ги използвате отново по-късно.

### Инструменти, необходими за промяна на позицията на вратата:

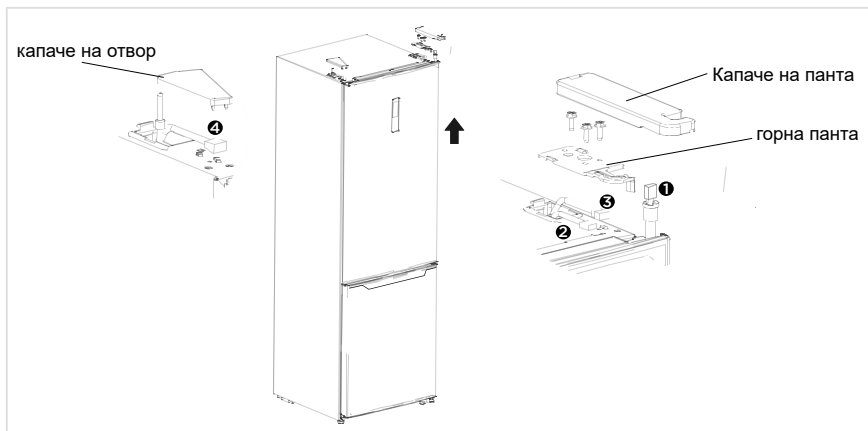


### Части, използвани при обръщане на вратата

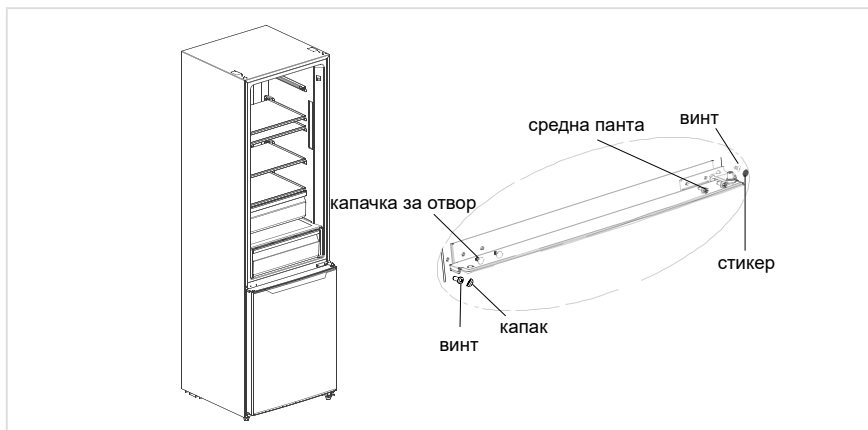
SN	Наименование	Номер	Забележки
1	Ръкав на оста	1	Предварително монтиран на хладилника и да се използва при смяна на вратата
2	Винт на горна панта	1	
3	Десен стопер	1	
4	Механизъм на капаче на панта	1	Предварително монтирана на хладилника, при обръщане на вратата се сваля и се запазва за бъдеща употреба
5	Превключвател на стълб	1	Предварително монтиран на хладилника и да се използва при смяна на вратата
6	Капаче на дясна панта	1	Предварително монтирана на хладилника, при обръщане на вратата се сваля и се запазва за бъдеща употреба
7	Горна дясна панта	1	
8	Регулируемо краче	1	Предварително монтиран на хладилника и да се използва при смяна на вратата
9	Пакет с аксесоари	3	Лява горна панта/капаче на горна лява панта/Ляв стопер
10	Модул на долната панта	1	
11	Винт на долна панта	2	
12	Крайна покриваща плоча	1	Предварително монтиран на хладилника и да се използва при смяна на вратата
13	Капаче на отвор	1	

## Стъпка:

1. Моля, изключете уреда, преди да извършите това действие. Извадете всичката храна от рафтовете на вратата. Фиксирайте вратата с ленти.
2. Свалете капача на горната панта, винтовете и горната панта и извадете капачката за отвора от другата страна. Извадете кабелния конектор на дясната страна на горната част на хладилника (1, 3 кабелен конектор).

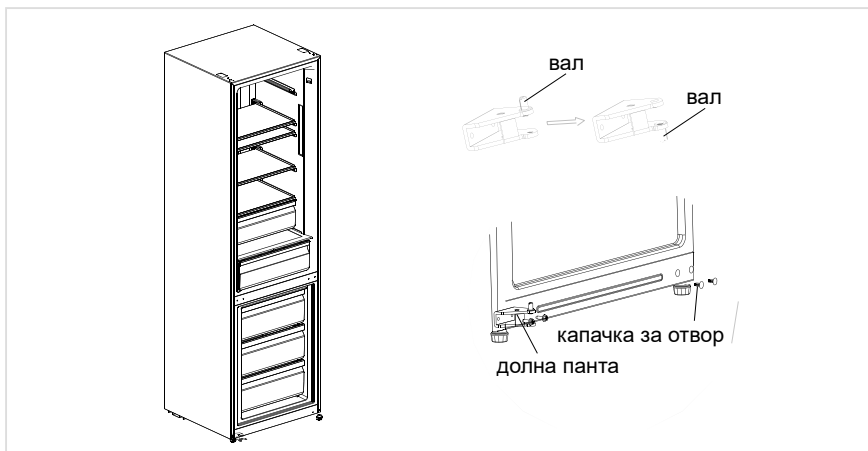


3. Свалете вратата на хладилната камера, както и винтовете, капачките на винтовете, стикера и средната панта, и капачката на отвора.

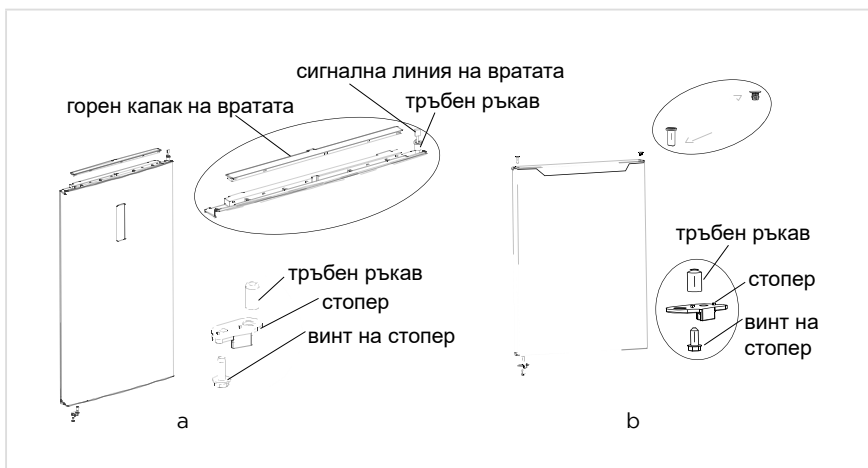


BG

4. Свалете вратата на камерата за замразяване, свалете долната панта, капачките на отворите. Поставете оста на долната панта от другата страна и поставете долната панта от другата страна на долната греда.

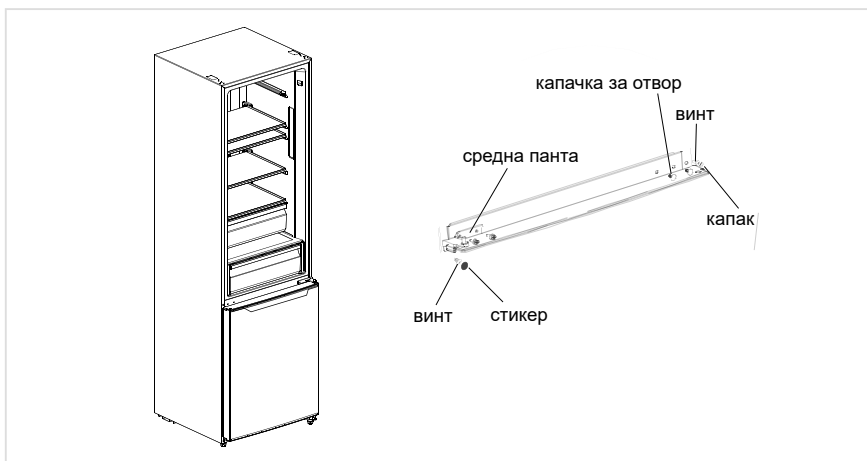


5. а) Свалете горния капак на вратата на хладилната камера, монтирайте ръкава на горната панта, сигналната линия на вратата от другата страна и сложете горния капак на вратата. Свалете стопера и тръбния ръкав от дясната долна страна на вратата на камерата за замразяване, извадете друг резервен стопер (за обърната врата) и монтирайте тръбния ръкав и резервния стопер на долната лява част на вратата с винт, поставете ръкава на горната панта, сигналната линия на вратата на другата страна и поставете горния капак на вратата.
- б) Свалете стопера и тръбния ръкав от дясната долна страна на вратата на камерата за замразяване, извадете друг резервен стопер (за обърната врата) и монтирайте тръбния ръкав и резервния стопер на долната лява част на вратата с винт. Свалете тръбния ръкав и капачките на отворите на вратата на камерата за замразяване и ги монтирайте на другата страна.

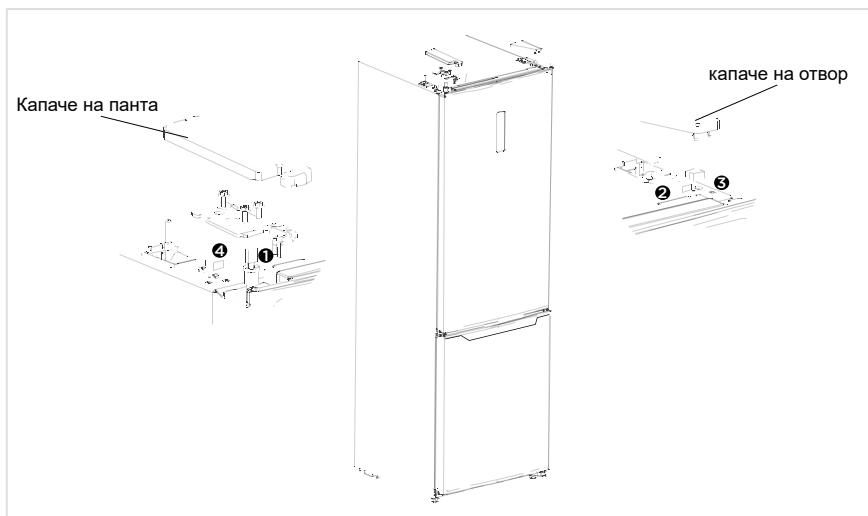




6. Сложете вратата на фризера върху долната панта, поставете средната панта, капачките за отворите, капачката за винта и стикера.



7. Извадете горната лява панта и капачката на горната панта от пакета с аксесоари. Сложете вратата на хладилника върху средната панта, поставете горната панта. Свържете клемата на сигнална линия 4 с клемата на сигнална линия 1, свържете клемата на сигнална линия 2 с клемата на сигнална линия 3; поставете капака на горната панта и капачето на отвора.



BG

#### ● ЗАБЕЛЕЖКА

Горното изображение е само за справка. Действителната конфигурация зависи от самия продукт или дистрибутора.

## Поставяне

- Преди използване, свалете всички опаковъчни материали, включително долните възглавници, подложките от пяна и лентите вътре в хладилника; свалете защитното фолио от вратите и корпуса на хладилника.
- Пазете от топлина и избягвайте пряка слънчева светлина. Не поставяйте фризера във влажни или мокри помещения, за да избегнете ръждясване или намаляване на изолационните свойства.
- Не пръскайте и не мийте хладилника; не поставяйте хладилника на влажни места, където може да бъде намокрен с вода, за да не повлияете на електрическите изолационни свойства на хладилника.
- Хладилникът трябва да се постави на добре проветриво закрито място; подът трябва да е равен и здрав (завъртете наляво или надясно, за да регулирате колелото за нивелиране, ако е нестабилен).



## Крачета за нивелиране

За да се избегнат вибрации, уредът трябва да бъде нивелиран.

Ако е необходимо, регулирайте нивелиращите винтове, за да компенсирате неравности в пода.

Предната част трябва да е разположена малко по-високо от задната, за да спомогне за затварянето на вратата.

Винтовете за нивелиране могат да се завъртят лесно чрез леко накланяне на уреда.

Завийте нивелиращите винтове по посока, обратна на часовниковата стрелка,  за да повдигнете уреда, и по посока на часовниковата стрелка,  за да го спуснете.

## Преместване на уреда

1. Извадете храната от уреда.
2. Извадете щепсела на захранването, вкарайте го и го фиксирайте на специалната за него кука от задната страна или в горната част на уреда.
3. Залепете с тиксо отделните части, като рафтовете и дръжката на вратата, за да предотвратите изпадане по време на преместването.
4. Уредът трябва да се премества внимателно от повече от двама души. При транспортиране на уреда на дълго разстояние го дръжте изправен.
5. След като поставите уреда, свържете захранващия щепсел към контакта и го включете.

### ЗАБЕЛЕЖКА

Предпазни мерки преди работа:

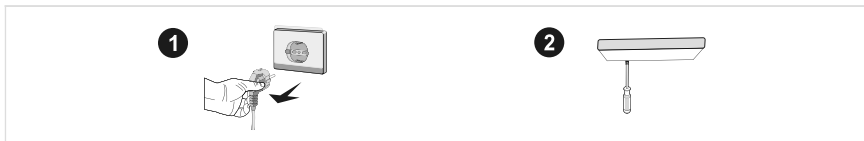
Преди извършването на промени, хладилникът трябва да бъде изключен от захранването. Трябва да се вземат предпазни мерки, за да се предотвратят наранявания.

## Смяна на крушката

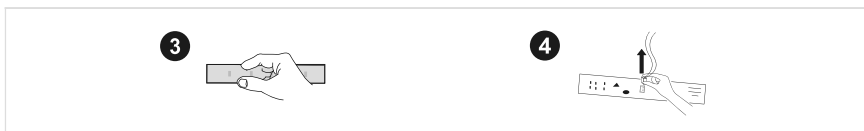
- Всяка подмяна или ремонт на LED лампите трябва да се извършва от производителя, негов сервизен представител или лице с подобна квалификация. В този продукт има източник на светлина от клас на енергийна ефективност <F>.

### Стъпка

1. Извадете щепсела преди отстраняване.
2. Отстранете плафона с отвертка.



3. Свалете панела на лампата.
4. Отстранете терминала за свързване.



## Свързване на уреда

Преди първоначалното стартиране оставете хладилника в неподвижно състояние за два часа, преди да го свържете към захранването.

### ЗАБЕЛЕЖКА

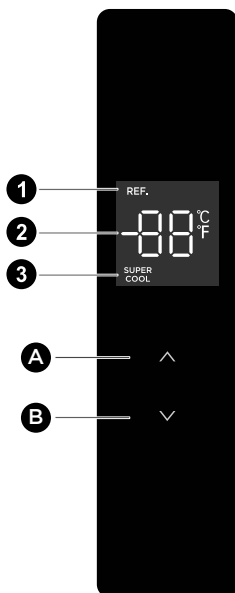
Хладилникът трябва да е работил 2-3 часа преди да поставите в него пресни или замразени храни, или над 4 часа през лятото, когато околната температура е висока.

## Съвети за спестяване на енергия

- Уредът трябва да бъде поставен на най-хладното място в помещението, далече от уреди, излъчващи топлина или отоплителни тръби и не под пряка слънчева светлина.
- Оставете горещите храни да се охладят до стайна температура преди да ги сложите в уреда. Претоварването на уреда кара компресора да работи по-дълго. Храните, които замръзват бавно, може да изгубят качествата си или да се развалят.
- Опаковайте храните правилно и подсушавайте контейнерите преди да поставите продукти в тях. Това намалява образуването на скреж в уреда.
- Кошът за съхранение на уреда не трябва да се покрива с алуминиево фолио, хартия за печене или домакинска хартия. Покритията пречат на циркулирането на въздуха, което намалява ефикасността на уреда.
- Подредете храната и поставете етикети, за да намалите отварянето на вратата и продължителното търсене. Извадете възможно най-много от нужните неща едновременно и затворете веднага вратата.

# ИНСТРУКЦИИ ЗА РАБОТА

## Панел за управление



### ЗАБЕЛЕЖКА

Горното изображение е само за справка. Действителната конфигурация зависи от самия продукт или дистрибутора.

### Ключ

- |          |                             |
|----------|-----------------------------|
| <b>A</b> | Бутон за температура нагоре |
| <b>B</b> | Бутон за температура надолу |

### Дисплей

- |          |                               |
|----------|-------------------------------|
| <b>1</b> | Икона за охлаждане            |
| <b>2</b> | Икона за температурен дисплей |
| <b>3</b> | Икона за супер охлаждане      |

## Дисплей

- Когато включите хладилника за първи път, целият панел на дисплея ще свети в продължение на 3 секунди. След това панелът на дисплея влиза в нормален режим. При отваряне на вратата дисплеят светва; когато се затвори вратата, дисплеят изгасва. При първоначалното използване на хладилника, зададената по подразбиране температура на хладилната камера е 5°C.
- Когато се появи грешка, панелът на дисплея показва кода за грешка. Иначе панелът на дисплея показва зададената температура.

## Настройка на температурата

- Натискането на бутона за увеличаване на температурата “Λ” може да регулира температурата; с всяко натискане на бутона нагоре “Λ”, температурата ще се вдигне с 1°C. Натискането на бутона за температура надолу “∨” може да регулира температурата; с всяко натискане на бутон за температура надолу “∨”, зададената температура ще се намали с 1°C. Диапазонът за настройване на температурата на хладилната камера е 2–8°C. Когато температурата е зададена на граничната стойност, хладилникът ще издаде алармиращ звук, ако бутонът за температура нагоре “Λ” или бутонът за температура надолу “∨” бъдат натиснати.

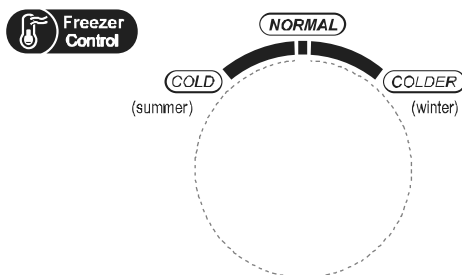
## Задаване на режим

- Задаване на режим на супер охлаждане: След като зададете температурата в хладилното отделение на 2°C, натиснете бутона за намаляване на температурата “∨”, за да стартирате режим на супер охлаждане. В режим на супер охлаждане температурата в хладилното отделение автоматично се задава на 2°C.
- Изход от режим на супер охлаждане: Натиснете бутона за увеличаване на температурата “Λ”, за да излезете от режима на супер охлаждане или режимът на супер охлаждане ще се изключи автоматично след 6 часа. След като прекратите режима на супер охлаждане, температурата в хладилника автоматично ще се върне към нормалната температура, зададена преди стартирането на режима на супер охлаждане.

## Аларма за контрол на отварянето

- Ако вратата не се затвори след две минути, звуковата аларма ще звучи, докато вратата се затвори. Натиснете произволен бутон, за да спрете звуковата аларма.

## От режима за бързо охлаждане може да се излезе с настройване на температурата



## Контрол на температурата на камерата за замразяване

- Температурата на замразяване е сравнително ниска на позиция "COLDER", докато в позиция "COLD" тя е сравнително висока, затова обикновено се използва позиция "NORMAL".
- Когато околната температура през лятото е висока, температурата трябва да е в диапазона от "NORMAL" до "COLD". Ако околната температура е над 35°C, тогава трябва да е предимно на позиция "COLD".
- Когато околната температура през зимата е ниска, температурата трябва да е в диапазона от "NORMAL" до "COLDER". Ако околната температура е под 10°C, тогава трябва да е предимно на позиция "COLDER".

## Предупреждение при отваряне и контрол на алармата

- Когато отворите вратата на хладилника, се чува музика за отваряне на вратата. Ако вратата не се затвори след две минути, звуковата аларма ще звъни, докато вратата се затвори. Натиснете произволен бутон, за да спрете звуковата аларма.

## Индикация за неизправност

- Следните предупредителни сигнали, които се появяват на дисплея, показват съответните неизправности на хладилника.
- Макар хладилникът да продължи да има функцията за съхранение на хладно при следните грешки, потребителят трябва да се свърже със специалист по поддръжка, за да се осигури оптималната експлоатация на уреда.

Код на грешката	Описание на повредата
E1	Грешка в датчика за температурата на хладилната камера
E2	Грешка в датчика за температурата на камерата за замразяване
E3	Грешка в сензора за температурата на чекмеджето за охлаждане
E5	Грешка във веригата на датчика за отчитане на размразяване на фризера
E6	Комуникационна грешка
E7	Грешка в датчика за околната температура

## Хладилна камера

- Хладилната камера е подходяща за съхранение на различни плодове, зеленчуци, напитки и други храни за бърза консумация, като препоръчителното време за съхранение е между 3 до 5 дни.
- Готвените храни не трябва да се слагат в хладилната камера преди да се охладят до стайна температура.
- Препоръчително е преди да се поставят в хладилника, храните да се запечатат.
- Стъклените рафтове могат да се регулират нагоре или надолу, за да се осигури достатъчно място за съхранение и лесна употреба.

## Камера за замразяване

- Камерата за замразяване с ниска температура може да запази храната свежа дълго време и се използва основно за замразени храни и за направата на лед.
- Камерата за замразяване е подходяща за съхранение на месо, риба, оризови кюфтета и други храни, които не са за бърза консумация.
- Големите парчета месо е добре да се разделят на по-малки заради бързото замразяване и улеснения достъп. Моля, имайте предвид, че храната трябва да се консумира в рамките на срока на годност.

## Чекмедже за охлаждане

- Подходящо за краткосрочно (1-3 дни) консумиране на прясна риба, прясно месо, прясна храна и пр.
- Близо в задната долна част на чекмеджето храната може да замръзне; храна, която не трябва да се замразява, не бива да се слага там.
- Препоръчва се класификация и плътно затваряне.

## ЗАБЕЛЕЖКА

Бележка: Съхраняването на твърде много храна по време на работа на уреда след първоначалното свързване към захранването може да се отрази на резултата при замразяване на хладилника.

Ред	ТИП на отделенията	Целева температура на съхранение [°C]	Подходящи храни
1	Хладилник	+2 ~ +8	Яйца, готвена храна, пакетирана храна, плодове и зеленчуци, млечни продукти, сладкиши, напитки и други храни, които не са подходящи за замразяване.
2	(***)*-Фризер	≤ -18	Морски дарове (риба, скарриди, миди), сладководни рибни и месни продукти (препоръчва се съхранение за 3 месеца, като по-дългото съхраняване влошава вкусовите и хранителните качества), подходящо за замразени пресни храни.
3	***-Фризер	≤ -18	Морски дарове (риба, скарриди, миди), сладководни рибни и месни продукти (препоръчва се съхранение за 3 месеца, като по-дългото съхраняване влошава вкусовите и хранителните качества), подходящо за замразени пресни храни.
4	** -Фризер	≤ -12	Морски дарове (риба, скарриди, миди), сладководни рибни и месни продукти (препоръчва се съхранение за 3 месеца, като по-дългото съхраняване влошава вкусовите и хранителните качества), подходящо за замразени пресни храни.
5	*-Фризер	≤ -6	Морски дарове (риба, скарриди, миди), сладководни рибни и месни продукти (препоръчва се съхранение за 3 месеца, като по-дългото съхраняване влошава вкусовите и хранителните качества), подходящо за замразени пресни храни.
6	0-звезди	-6 ~ 0	Прясно свинско, телешко месо, риба, пиле, някои пакетирани обработени храни и др. (препоръчва се да се консумира в рамките на деня, за предпочитане след не повече от 3 дни). Частично капсулирани обработени храни (неподходящи за замразяване продукти).
7	Охлаждане	-2 ~ +3	Прясно/замразено свинско, телешко месо, пиле, сладководни продукти и др. (7 дни под 0°C, а над 0°C се препоръчва да се консумира в рамките на деня, за предпочитане след не повече от 2 дни). Морски дарове (под 0°C за 15 дни, не се препоръчва съхранение над 0°C).
8	Пресни храни	0 ~ +4	Прясно свинско, телешко месо, риба, пиле, готвена храна и др. (препоръчва се да се консумира в рамките на деня, за предпочитане след не повече от 3 дни)
9	Вино	+5 ~ +20	Червено вино, бяло вино, пенливо вино и др.

#### ЗАБЕЛЕЖКА

Моля, съхранявайте различните храни в зависимост от отделенията или целевата температура за съхранение на вашите покупки.



# ПОЧИСТВАНЕ И ПОДДРЪЖКА

## Цялостно почистване

- Прахът зад хладилника и по пода трябва да се почиства своевременно, за да се подобри охладителният ефект и да се спести енергия.
- Проверявайте редовно уплътнението на вратата, за да се уверите, че няма боклуци. Почиствайте уплътнението на вратата с мека кърпа, напоена в сапунена вода или разтворен препарат за миене.
- Вътрешността на хладилника трябва да се почиства редовно, за да се избегнат миризми.
- Изключете захранването преди да почистите вътрешността, извадете всички храни, напитки, рафтове, чекмеджета и пр.
- За да почистите вътрешността на хладилника, използвайте мека кърпа или гъба и две супени лъжици сода за хляб и литър топла вода. След това изплакнете с вода и избършете. След почистването отворете вратата и оставете да изсъхне по естествен начин преди да включите захранването.
- За места в хладилника, които са трудни за почистване, като тесни сандвичи, пролуки или ъгли, се препоръчва да ги забърсвате редовно с мека кърпа, мека четка и други, когато се налага, заедно с някои помощни средства, като тънки клечки например, за да се гарантира, че в тези места няма натрупване на замърсители или бактерии.
- Не използвайте сапун, миеш препарат, абразивна пудра, почистващ спрей и подобни, тъй като могат да причинят миризми във вътрешността на хладилника или замърсяване на храната.
- Почиствайте рамката за бутилки, рафтовете и чекмеджетата с мека кърпа, напоена в сапунена вода или разтворен препарат за миене. Подсушете с мека кърпа или оставете да изсъхне естествено.
- Забършете външната повърхност на хладилника с мека кърпа, напоена със сапунена вода, миеш препарат и пр. и подсушете.
- Не използвайте твърди четки, стоманени телчета, метални четки, абразиви, като паста за зъби, органични разтворители, като алкохол, ацетон, бананово масло и пр., вряла вода, киселина или алкални предмети, които могат да увредят външната повърхност и вътрешността на хладилника. Врялата вода и органичните разтворители, като бензен, могат да деформират или увредят пластмасовите части.
- Не изплаквайте директно с вода или други течности при почистването, за да избегнете късо съединение или увреждане на електрическата изолация след намокрянето.

## ЗАБЕЛЕЖКА

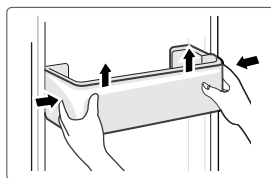
Моля, изключете хладилника от мрежата при размразяване и почистване.

## Размразяване

- Хладилникът е проектиран на принципа на въздушното охлаждане и затова има функция за автоматично размразяване. Скрежът, образуван заради смяната на сезона или промяна в температурата, може да бъде отстранен също и ръчно, като изключите уреда от захранването или като забършете със суха кърпа.

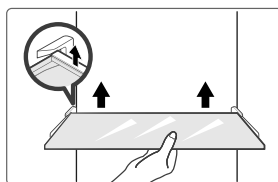
## Почистване на тавата на вратата

- Според посоката на стрелката на фигурата по-долу, стиснете с две ръце тавата и я натиснете нагоре, за да я извадите.
- След като измиете извадената тава, можете да регулирате височината, на която да я поставите според вашите предпочитания.



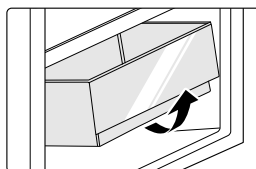
## Почистване на стъкления рафт

- Тъй като на най-вътрешната част на облицовката на хладилника, където се опират рафтовете, има заден ограничител, трябва да повдигнете рафтовете нагоре, за да можете да ги извадите.
- Регулирайте и почиствайте рафтовете според вашите изисквания.



## Почистване на чекмеджето за зеленчуци

1. Извадете съдържанието на чекмеджето. Хванете дръжката на чекмеджето за зеленчуци и го издърпайте докрай, докато не спре.
2. Повдигнете чекмеджето за зеленчуци и го извадете, като го издърпате навън.



## Не работи

### Спиране на тока:

При спиране на тока, дори лятото, храните в уреда могат да се запазят за няколко часа. При спиране на тока отварянето на вратата трябва да се намали и в уреда не трябва повече да се слага прясна храна.

### Ако няма да се използва дълго време:

Уредът трябва да се изключи от контакта и да се почисти, а след това вратите да се оставят отворени, за да се избегнат миризми.

### Преместване:

Преди преместването на хладилника, извадете всички неща отвътре, закрепете стъклените прегради, подставката за зеленчуци, чекмеджетата на камерата за замразяване и т.н. с лепяща лента, затегнете нивелиращото краче, затворете вратите и ги закрепете с лентата. При преместването уредът не трябва да се поставя обърнат наопаки или хоризонтално и не трябва да бъде клатен. Наклонът по време на преместването не трябва да е повече от 45°.

### ЗАБЕЛЕЖКА

Уредът трябва да работи непрекъснато, след като веднъж е включен. Обикновено работата на уреда не трябва да се прекъсва, в противен случай експлоатационният му живот може да бъде намален.

# ОТСТРАНЯВАНЕ НА ПРОБЛЕМИ

Следните прости проблеми могат да се разрешат от потребителя. Обадете се на сервизния отдел, ако проблемите не бъдат отстранени.

Проблем	Възможна причина
Неуспешна работа	• Проверете дали уредът е свързан към захранването или щепселът е добре вкаран в контакта
	• Проверете дали напрежението е твърде ниско
	• Проверете дали има прекъсване на тока или изключени частични вериги
Миризма	• Ароматните храни трябва да бъдат опаковани плътно
	• Проверете дали няма развалена храна
	• Почистете вътрешността на хладилника
Продължителна работа на компресора	• Продължителната работа на хладилника е нормална през лятото, когато околната температура е висока
	• Не е препоръчително да държите твърде много храна в уреда едновременно
	• Храната трябва да се охлади преди да се сложи в уреда
	• Вратите се отварят твърде често
Лампите не светват	• Проверете дали хладилникът е свързан към електрозахранването и дали лампата не е повредена
	• Лампата трябва да се смени от специалист
Вратата не може да се затвори правилно	• Пакети с храна пречат на вратата да се затвори плътно
	• Хладилникът е наклонен.
Силен шум	• Проверете дали подът е равен и дали хладилникът е поставен правилно
	• Проверете дали аксесоарите са поставени на правилните места

Проблем	Възможна причина
Уплътнението на вратата не е здраво	<ul style="list-style-type: none"> <li>Почистете уплътнението на вратата</li> <li>Нагрейте уплътнението на вратата, а после го охладете, за да се възстанови (или го продухайте с електрически сешоар или използвайте гореща кърпа за загряване)</li> </ul>
Съдът за вода прелива	<ul style="list-style-type: none"> <li>В камерата има твърде много храна или съхраняваната храна съдържа твърде много вода, което води до силно размразяване</li> <li>Вратите не са затворени правилно, което води до заскрежаване заради влизането на въздух и повече вода заради размразяването</li> </ul>
Горещ корпус	<ul style="list-style-type: none"> <li>Топлината от вградения кондензатор се разсейва чрез корпуса, което е нормално. Когато корпусът се нагрее поради висока околна температура, съхранение на твърде много храна или изключване на компресора, осигурете добра вентилация за улесняване на разсейването на топлината</li> </ul>
Кондензация по повърхността	<ul style="list-style-type: none"> <li>Кондензацията по външната повърхност и уплътненията на вратите на хладилника е нещо нормално, когато влажността на околната среда е твърде висока. Просто избършете кондензата с чиста кърпа.</li> </ul>
Необичаен шум	<ul style="list-style-type: none"> <li>Бръмчене: Компресорът може да бръмчи по време на работа, а бръмченето е силно особено при включване и спиране. Това е нормално.</li> <li>Скърцане: Хладилният агент, който тече вътре в уреда, може да предизвика скърцане, което е нормално.</li> </ul>

# ДОПЪЛНЕНИЕ

## Специално за новия европейски стандарт

Поръчаните в долната таблица части могат да се получат от канала на доставчика на услуги

Поръчана част	Предоставена от	Минимално време, необходимо за предоставяне
Термостати	Професионален обслужващ персонал	Поне 7 години след пускането на пазара на последния модел
Температурни сензори	Професионален обслужващ персонал	Поне 7 години след пускането на пазара на последния модел
Печатни платки	Професионален обслужващ персонал	Поне 7 години след пускането на пазара на последния модел
Източници на светлина	Професионален обслужващ персонал	Поне 7 години след пускането на пазара на последния модел
Дръжки за вратите	Професионални сервизни техници и крайни потребители	Поне 7 години след пускането на пазара на последния модел
Панти за вратите	Професионални сервизни техници и крайни потребители	Поне 7 години след пускането на пазара на последния модел
Тави	Професионални сервизни техници и крайни потребители	Поне 7 години след пускането на пазара на последния модел
Кошници	Професионални сервизни техници и крайни потребители	Поне 7 години след пускането на пазара на последния модел
Уплътнения за вратите	Професионални сервизни техници и крайни потребители	Поне 10 години след пускането на пазара на последния модел

BG

### Уважаеми клиенти,

1. Ако искате да върнете или замените продукта, моля, свържете се с магазина, от който сте го купили.  
(Не забравяйте да донесете фактурата за покупката)
2. Ако вашият продукт се повреди и трябва да се поправи, моля, свържете се с представител, предлагащ следпродажбено обслужване.

### ЗАБЕЛЕЖКА

Информацията за модела в продуктовата база данни, както и идентификаторът на модела, могат да бъдат получени на уеб връзката, сканирана чрез QR кода (ако е наличен) на етикета за енергийна ефективност на продукта.

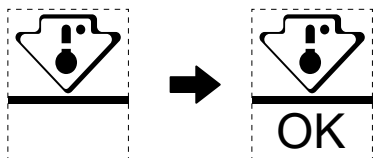
За повече информация относно енергийната ефективност на уреда вижте <https://ec.europa.eu> и потърсете името на модела.

Името на модела може да се открие на етикета с характеристики на уреда.

## Най-студена зона на хладилника

### ОПЦИОНАЛНО: Индикатор за добра температура

- Индикаторът за добра температура ОК може да се използва за определяне на температури под +4°C. Постепенно намаляете температурата, ако знакът не показва „ОК“.



- За да осигурите правилната температура в тази зона, не променяйте разположението на този рафт. При хладилниците с принудителен въздух (моделите, снабдени с вентилатор или обезскрежаване) няма символ за най-студена зона, тъй като температурата в тях е равномерно разпределена.

### Настройка на температурния индикатор

- С цел по-добра настройка на вашия хладилник, той е снабден с температурен индикатор, който следи средната температура в най-студената зона.
- ПРЕДУПРЕЖДЕНИЕ:** Този индикатор е предназначен да работи единствено с вашия хладилник. Не го използвайте за друг хладилник (където най-студената зона е различна) или по какъвто и да е друг начин.

### Проверка на температурата в най-студената зона

- С помощта на температурния индикатор можете редовно да проверявате дали температурата в най-студената зона е правилна. Температурата във вътрешността на хладилника в действителност зависи от няколко фактора, сред които са околната температура в помещението, количеството съхранявана храна и честотата на отваряне на вратата. Вземете предвид тези фактори, когато настройвате уреда.
- Когато индикаторът показва „ОК“, това означава, че термостатът е настроен подходящо и вътрешната температура е правилна.
- Ако цветът на температурния индикатор стане БЯЛ, това означава, че температурата е твърде висока. В такъв случай увеличете настройката за температурата на хладилника и изчакайте 12 часа, преди да проверите индикатора отново. Възможно е индикаторът да стане БЯЛ известно време след добавяне на нова храна или след като вратата била оставена отворена.

## **PADĖKOS LAIŠKAS**

Dėkojame, kad pasirinkote „Midea“! Prieš naudodamiesi naujuoju „Midea“ gaminiu, atidžiai perskaitykite šį vadovą ir įsitinkite, kad žinote, kaip saugiai naudotis naujojo prietaiso savybėmis ir funkcijomis.

# TURINYS

<b>PADĖKOS LAIŠKAS</b> .....	01
<b>SPECIFIKACIJOS</b> .....	02
<b>GAMINIO APŽVALGA</b> .....	03
<b>GAMINIO MONTAVIMAS</b> .....	04
<b>NAUDOJIMO INSTRUKCIJOS</b> .....	12
<b>VALYMAS IR PRIEŽIŪRA</b> .....	17
<b>TRIKČIŲ ŠALINIMAS</b> .....	19
<b>PRIEDAS</b> .....	21

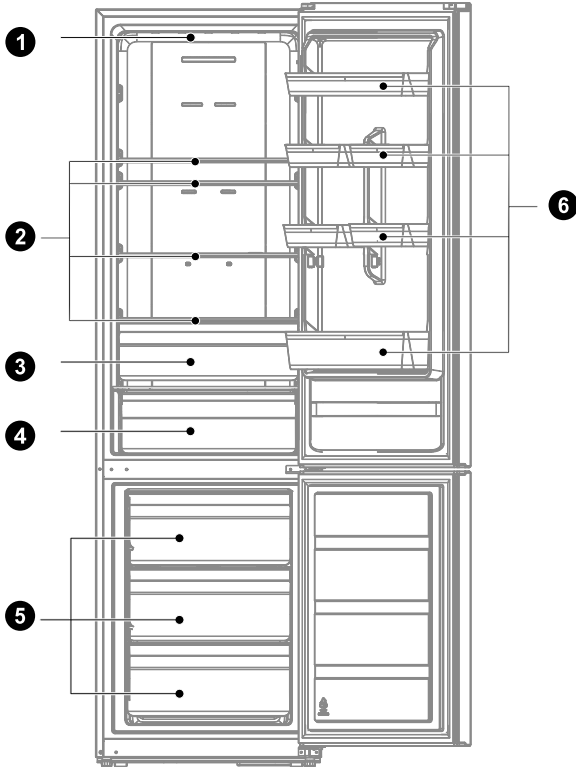
# SPECIFIKACIJOS

<b>Gaminio modelis</b>	<b>MDRB489FGE</b>
Šviežių maisto produktų laikymo skyriaus talpa	247L
Šaldytų maisto produktų laikymo skyriaus talpa	83L
Atšildymo tipas	Automatinis atitirpinimas
Temperatūros didėjimo laikas	8 h
Šaldymo geba	4 kg / 24 val.
Vardinė įtampa / dažnis	220-240V~/50Hz
Vardinė srovė	0,7 A
Bendrieji matmenys (A x P x G)	2010 x 595 x 635mm



# GAMINIO APŽVALGA

## Sudedamųjų dalių pavadinimai



- 1 LED apšvietimas
- 2 Lentyna
- 3 Vaisių ir daržovių dėžė

- 4 Vėsinimo stalčius
- 5 Stalčius
- 6 Durelių dėklas

LT

### DĖMESIO

Pirmiau pateiktas paveikslėlis yra tik informacinis. Faktinė konfigūracija priklausys nuo konkretaus gaminio arba jo pardavimo atstovo pareiškimo.

# GAMINIO MONTAVIMAS

## Montavimo instrukcijos

### Šaldymo prietaisams su klimato klase

- Priklausomai nuo klimato klasės, šis šaldymo prietaisas skirtas naudoti aplinkos temperatūrų diapazone, nurodytame šioje lentelėje.
- Klimato klasė nurodyta produkto duomenų lentelėje. Gaminys gali tinkamai neveikti, jei temperatūra yra už nurodyto diapazono ribų.
- Klimato klasę galite rasti gaminio etiketėje.

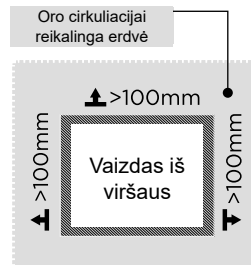
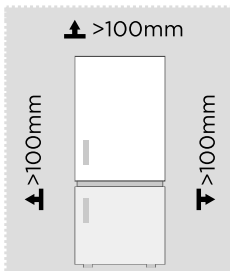
### Efektyvus temperatūros diapazonas

- Gaminys suprojektuotas taip, kad normaliai veiktų temperatūros diapazone, kurį nurodo jo klasės reitingas.

Klasė	Simbolis	Aplinkos temperatūros diapazonas, °C	
		IEC 62552 (ISO 15502)	ISO 8561
Išplėstas vidutinis	SN	Nuo +10 iki +32	Nuo +10 iki +32
Vidutinis	N	Nuo +16 iki +32	Nuo +16 iki +32
Subtropinis	ST	Nuo +16 iki +38	Nuo +18 iki +38
Tropinis	T	Nuo +16 iki +43	Nuo +18 iki +43

### Matmenys ir atstumai

- Dėl per mažo atstumo nuo gretimų objektų gali pablogėti užšaldymo galimybės ir padidėti elektros energijos sąnaudos. Montuodami prietaisą palikite daugiau kaip 100 mm atstumą nuo kiekvienos gretimos sienos.

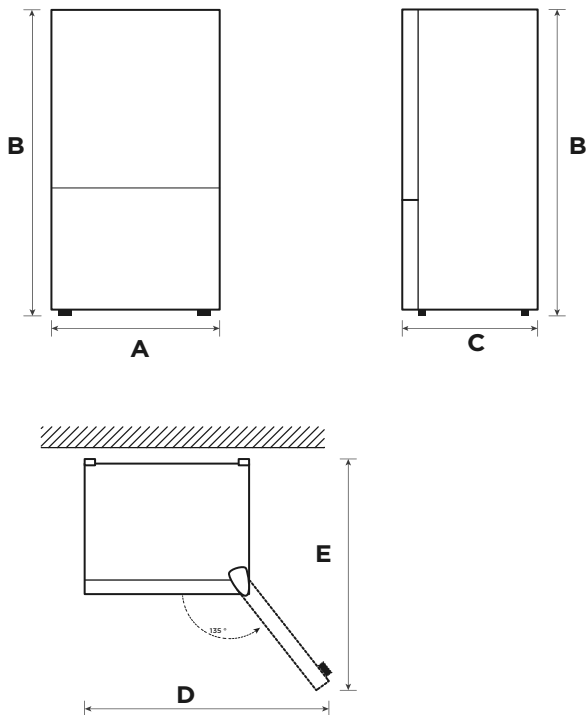


LT

### ⚠ DĖMESIO

Pirmiau pateiktas paveikslėlis yra tik informacinis. Faktinė konfigūracija priklausys nuo konkretaus gaminio arba jo pardavimo atstovo pareiškimo.

Erdvės poreikio diagrama (kai durys atidarytos ir kai durys uždarytos)



Plotis	Bendras aukštis	Gylis	Plotis atidarius dureles 135° kampu	Gylis atidarius dureles 135° kampu
A	B	C	D	E
595	2010	635	1016	1186

Pastaba: Visi matmenys pateikti mm

LT

## Durų atidarymo krypties keitimas iš dešinės į kairę (pasirinktinai)

Atsižvelgiant į vietą, kurioje planuojate naudoti šaldytuvą, gali būti praktiškiau pakeisti durų vietą.

### **ATSARGIAI**

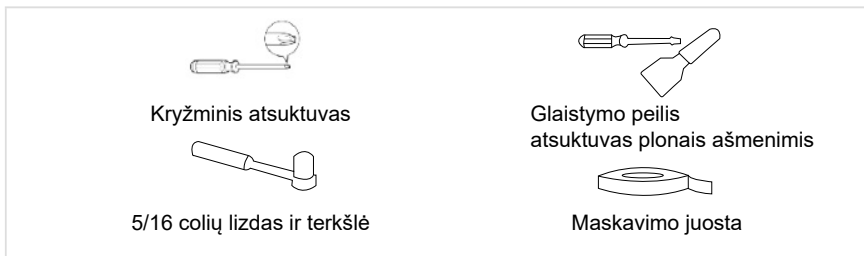
**ATSARGIAI!** Kad išvengtumėte sužalojimų ar žalos turtui, rekomenduojame, kad kas nors padėtų jums pakeisti durų tvirtinimo vietą.

Pasiruošimas pakeisti durų vietą

Jums reikės: standartinio atsuktuvo, kryžminio atsuktuvo ir pridedamo šešiakampio veržliarakčio.

- Įsitinkite, kad šaldytuvą atjungtas nuo elektros tinklo ir tuščias.
- Pasirūpinkite, kad kas nors padėtų jums šio proceso metu.
- Padėkite saugiai visas nuimtas dalis, kad galėtumėte jas panaudoti vėliau.

### Įrankiai reikalingi keičiant durų tvirtinimo vietą:

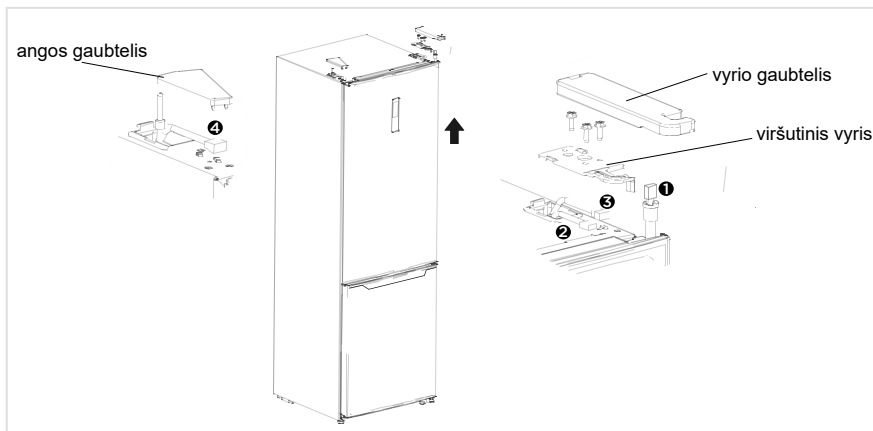


### Dalys, kurių reikia durelių apskūkimui

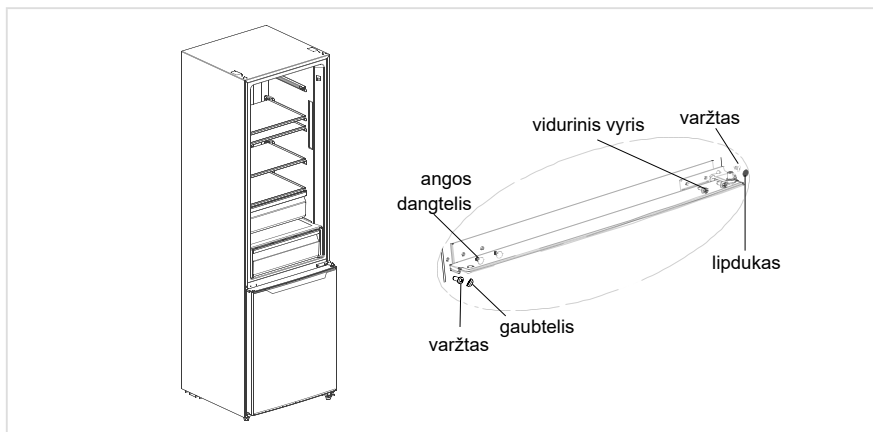
SN	Pavadinimas	Numeris	Pastabos
1	Veleno mova	1	Iš anksto įrengtas šaldytuve ir naudojamas keičiant dureles
2	Viršutinio vryio varžtas	1	
3	Dešinysis stabdiklis	1	Iš anksto įrengtas šaldytuve, išimamams apsukus dureles ir išsaugomas ateičiai
4	Vryio gaubtelio mechanizmas	1	
5	Statramsčio jungiklis	1	Iš anksto įrengtas šaldytuve ir naudojamas keičiant dureles
6	Dešiniojo vryio gaubtelis	1	Iš anksto įrengtas šaldytuve, išimamams apsukus dureles ir išsaugomas ateičiai
7	Viršutinis dešinysis vryis	1	
8	Reguliuojama kojėlė	1	Iš anksto įrengtas šaldytuve ir naudojamas keičiant dureles
9	Priedų paketas	3	Viršutinis kairysis vryis / viršutinio kairiojo vryio dangtelis / kairysis stabdiklis
10	Apatinio vryio mazgas	1	Iš anksto įrengtas šaldytuve ir naudojamas keičiant dureles
11	Apatinio vryio varžtas	2	
12	Galinio gaubtelio plokštė	1	
13	Angos gaubtelis	1	

## Žingsnis:

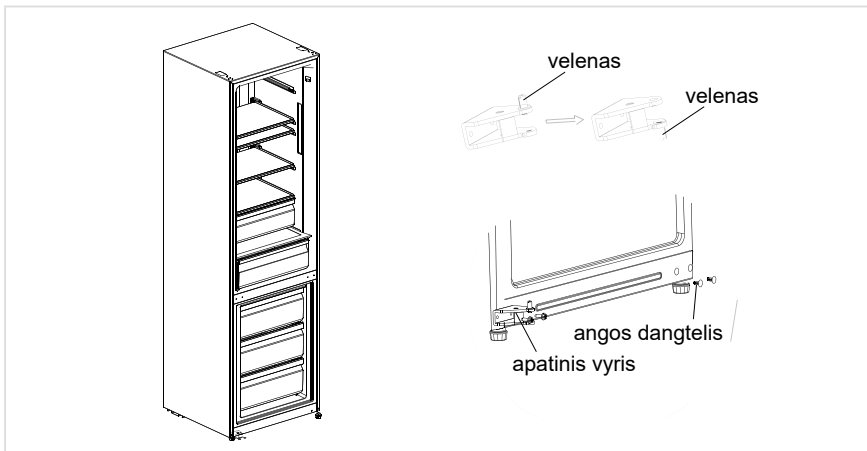
1. Prieš atlikdami šį veiksma, išjunkite šio prietaiso maitinimą. Iš durelių lentynų išimkite visą maistą. Pritvirtinkite dureles juostomis. Pritaisykite dureles juostomis.
2. Nuimkite viršutinio vyro gaubtelį, varžtus ir viršutinį vyrį, o iš kitos pusės nuimkite angos gaubtelį. Ištraukite laidų jungtį, esančią dešinėje šaldytuvo viršaus pusėje (1, 2 laidų jungtis).



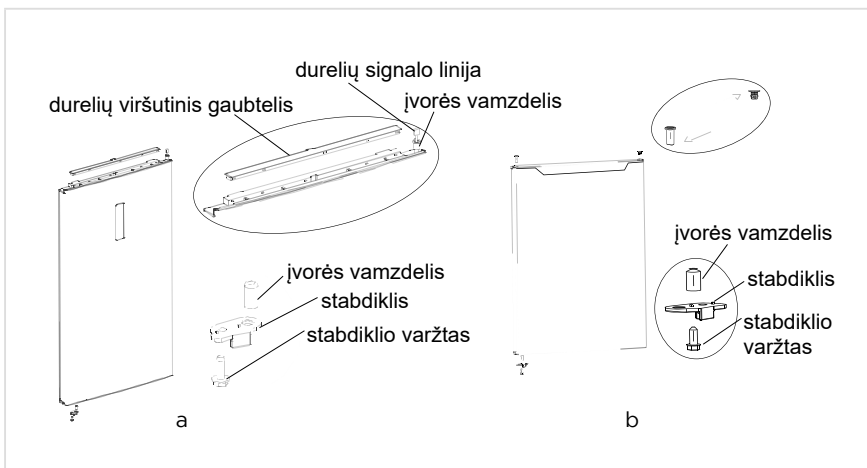
3. Nuimkite šaldymo kameros dureles, taip pat varžtų varžtų dangtelį, lipduką ir vidurinį vyrį, angos gaubtelį.



4. Nuimkite šaldymo kameros dureles, išmontuokite apatinį vyrį, angų gaubtelius.  
Sumontuokite apatinio vyro veleną kitoje pusėje ir apatinį vyrį – kitoje apatinės sijos pusėje.

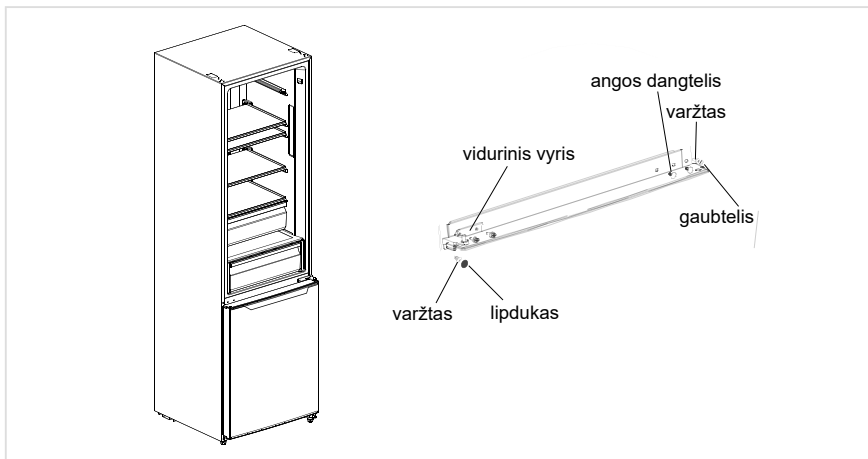


5. a) Nuimkite viršutinį šaldytuvo durelių gaubtelį, uždėkite viršutinę vyrių įvorę, durelių signalo liniją į kitą pusę ir uždėkite viršutinį durelių gaubtelį. Išmontuokite stabdiklį ir įvorės vamzdelį iš šaldymo kameros durelių dešinės apačios, išimkite kitą atsarginį stabdiklį (atbulinėms durims) ir varžtu sumontuokite įvorės vamzdelį ir atsarginį stabdiklį kairėje durelių apačioje, uždėkite viršutinę vyrių įvorę, durelių signalo liniją į kitą pusę ir uždėkite viršutinį durelių gaubtelį.
- b) Išmontuokite stabdiklį ir įvorės vamzdelį iš šaldymo kameros durelių dešinės apačios, išimkite kitą atsarginį stabdiklį (atbulinėms durelėms) ir varžtu sumontuokite įvorės vamzdelį ir atsarginį stabdiklį durelių kairėje apačioje. Nuimkite įvorės vamzdelį ir angų gaubtelius nuo šaldymo kameros durelių ir sumontuokite juos kitoje pusėje.

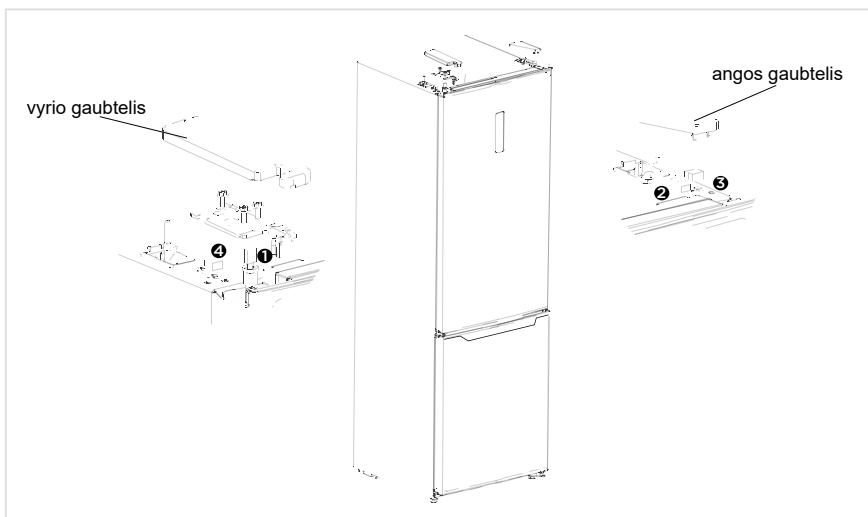


LT

6. Uždėkite šaldymo kameros dureles ant apatinio vyrio, sumontuokite vidurinį vyrį, angų gaubtelius, varžtus, lipduką ir lipduką.



7. Iš priedų paketo išimkite kairįjį viršutinį vyrį, kairiojo viršutinio vyro gaubtelį. Uždėkite šaldymo dureles ant vidurinio vyro, sumontuokite viršutinį vyrį. Sujunkite signalinės linijos gnybtą ④ su signalinės linijos gnybtu ①, sujunkite signalinės linijos gnybtą ② su signalinės linijos gnybtu ③, uždėkite viršutinio vyro gaubtelį ir angų gaubtelį.



LT

### ● DĖMESIO

Pirmiau pateiktas paveikslėlis yra tik informacinis. Faktinė konfigūracija priklausys nuo konkretaus gaminio arba jo pardavimo atstovo pareiškimo.

## Vieta

- Prieš naudojimą išimkite visas pakavimo medžiagas, įskaitant apatines pagalvėles, putplasčio paminkštinius ir juostas šaldytuvo viduje; nuplėskite apsauginę plėvelę ant durų ir šaldytuvo korpuso.
- Laikykitės atokiai nuo šilumos šaltinių ir saugokite nuo tiesioginių saulės spindulių. Nedėkite šaldiklio į drėgnas ar vandeningas vietas, kad išvengtumėte rūdžių ir nesumažintumėte izoliacinio poveikio.
- Nepurškite ir neplaukite šaldytuvo; nestatykite jo drėgnoje vietoje, kurioje šaldytuvai gali būti lengvai aptaškyti vandeniu, kad nepakenktų šaldytuvo elektros izoliacinėms savybėms.
- Šaldytuvai turi būti padedami gerai vėdinamoje patalpoje; žemė turi būti plokščia ir tvirta (pasukite kairėn ar dešinėn, kad sureguliuotumėte ratuką, jei jis nestabilus).



## Išlyginančios kojelės

Kad išvengtumėte vibracijos, prietaisas turi būti suniveliuotas.

Jei reikia, sureguliuokite niveliavimo varžtus, kad būtų kompensuoti grindų nelygumai.

Priekinė dalis turėtų būti šiek tiek aukščiau nei galinė, kad būtų lengviau uždaryti duris.

Niveliavimo varžtus galima lengvai pasukti šiek tiek pakreipus spintelę.

Pasukite niveliavimo varžtus prieš laikrodžio rodyklę , kad pakeltumėte įrenginį, o pagal laikrodžio rodyklę  – kad nuleistumėte.

## Prietaiso perkėlimas

1. Iš prietaiso išimkite visus maisto produktus.
2. Ištraukite maitinimo kištuką, įkiškite jį ir pritvirtinkite prie maitinimo kištuko kabliuko, esančio prietaiso gale arba viršuje.
3. Tokias dalis, kaip lentynos ir durelių rankena, apklijuokite lipnia juosta, kad judant prietaisui jos nenukristų.
4. Prietaisą atsargiai turi perkelti daugiau nei du žmonės. Jei prietaisą reikia perkelti dideliu atstumu, laikykite jį vertikaliajo padėtyje.
5. Sumontavę prietaisą, įjunkite maitinimo kištuką į kištukinį lizdą ir įjunkite prietaisą.

### DĖMESIO

Atsargumo priemonės prieš operaciją:

Prieš atliekant pakeitimus, šaldytuvai turi būti atjungtas nuo elektros tinklo. Reikia imtis atsargumo priemonių, kad būtų išvengta sužalojimų.



## Lempučių keitimas

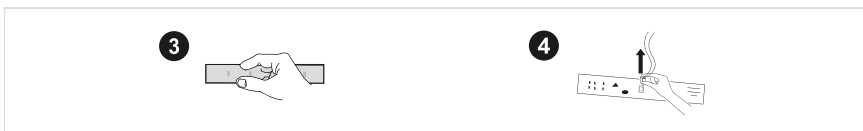
- Bet kokį šviesos diodų lempučių pakeitimą arba techninę priežiūrą turi atlikti gamintojas, jo techninės priežiūros agentas arba panašus kvalifikuotas asmuo. Šiame gaminyje yra energijos vartojimo efektyvumo klasės <F> šviesos šaltinis.

## Žingsnis

1. Prieš išimdami ištraukite kištuką.
2. Atsuktuvu nusukite šviestuvo gaubtą.



3. Nuimkite šviestuvo plokštę.
4. Nuimkite jungties gnybtą.



## Prietaiso prijungimas

Prieš pradėdami naudoti pirmą kartą, palikite šaldytuvą neveikiantį dviems valandoms ir tik po to junkite prie maitinimo šaltinio.

### DĖMESIO

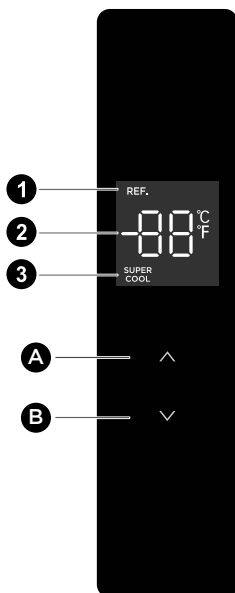
Prieš įdedant bet kokį šviežią ar šaldytą maistą, šaldytuvą turi veikti 2–3 valandas arba ilgiau kaip 4 valandas vasarą, kai aplinkos temperatūra yra aukšta.

## Energijos taupymo patarimai

- Prietaisas turėtų būti vėsiausioje kambario vietoje, atokiau nuo šilumą skleidžiančių prietaisų ar šildymo kanalų ir nuo tiesioginių saulės spindulių.
- Prieš padėdami karštus maisto produktus į prietaisą, juos atvėsinkite iki kambario temperatūros. Dėl prietaiso perkrovos kompresorius veikia ilgiau. Maisto produktai, kurie užšąla per lėtai, gali prarasti kokybę arba būti sugadinti.
- Prieš padėdami produktus į prietaisą, juos tinkamai įvyniokite ir nusauskite tarą. Tai leis sumažinti šalnos susikaupimą prietaiso viduje.
- Prietaiso laikymo dėžė neturėtų būti padengta aliuminio folija, vaškiniais popieriais ar popieriniu rankšluosčiu. Tokie sluoksniai trukdo šalto oro cirkuliacijai, todėl prietaisas yra mažiau efektyvus.
- Išdėstykite ir sužymėkite maisto produktus taip, kad nereikėtų ilgai jų ieškoti ir laikyti atvirų durelių. Vienu kartu išimkite kuo daugiau maisto produktų ir kuo greičiau uždarykite dureles.

# NAUDOJIMO INSTRUKCIJOS

## Valdymo skydelis



### ⚠ DĖMESIO

Pirmiau pateiktas paveikslėlis yra tik informacinis. Faktinė konfigūracija priklausys nuo konkretaus gaminio arba jo pardavimo atstovo pareiškimo.

### Raktas

- A Temperatūros didinimo mygtukas
- B Temperatūros mažinimo mygtukas

### Ekranas

- |   |                                 |
|---|---------------------------------|
| 1 | Šaldytuvo piktograma            |
| 2 | Temperatūros ekrano piktograma  |
| 3 | Intensyvaus vėsavimo piktograma |

## Ekranas

- Pirmą kartą įjungus šaldytuvą, visas ekrano skydelis šviečia 3 sekundes. Tada ekrano skydelis persijungs į įprastą rodinį. Atidarytų durelių indikatorius lemputė dega; kai durelės užsidaro, indikatorius lemputė užgesa. Pirmą kartą naudojant šaldytuvą, numatytoji nustatyta vėsinimo kameros temperatūra yra 5 °C.
- Kai įvyksta klaida, ekrano skydelyje rodomas klaidos kodas. Priešingu atveju ekrano skydelyje rodoma nustatyta temperatūra.

## Temperatūros nustatymas

- Paspauskite temperatūros didinimo mygtuką „Λ“, kad sureguliuotumėte temperatūrą. Kiekvieną kartą paspaudus temperatūros didinimo mygtuką „Λ“, nustatyta temperatūra bus padidinta 1 °C. Paspauskite temperatūros mažinimo mygtuką „∨“, kad sureguliuotumėte temperatūrą. Kiekvieną kartą paspaudus temperatūros mažinimo mygtuką „∨“, nustatyta temperatūra bus sumažinta 1 °C. Vėsinimo kameros temperatūros nustatymo diapazonas yra 2~8 °C. Kai temperatūra bus sureguliuota iki ribinės vertės, šaldytuvus skleis pavojaus signalą, jei vis dar bus paspaustas temperatūros didinimo mygtukas „Λ“ arba temperatūros didinimo mygtukas „∨“.

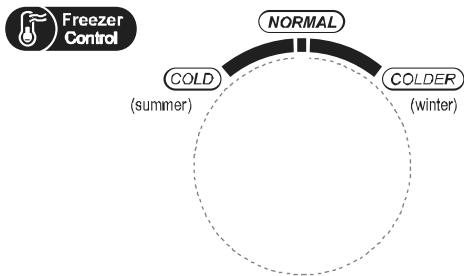
## Nustatykite režimą

- Nustatykite intensyvaus vėsinimo režimą: kai šaldytuvo kameros temperatūra bus sureguliuota iki 2 °C, paspauskite temperatūros mažinimo mygtuką „∨“, kad įjungtumėte intensyvaus vėsinimo režimą. Supervėsinimo režimu šaldytuvo kameros temperatūra automatiškai nustatoma 2 °C.
- Intensyvaus vėsinimo režimo išjungimas: paspauskite temperatūros didinimo mygtuką „Λ“, kad išjungtumėte intensyvaus vėsinimo režimą arba intensyvaus vėsinimo režimas bus išjungtas automatiškai po 6 val. Išjungus superšaldymo režimą, šaldytuvo temperatūra automatiškai grįžta prie temperatūros, nustatytos prieš įjungiant supervėsinimo režimą.

## Pavojaus signalo valdymo atidarymas

- Jei durelės neuždaromos per dvi minutes, garsinis signalas skambės tol, kol jos bus uždarytos. Paspauskite bet kurį mygtuką, kad sustabdytumėte garsinį signalą.

## Reguliuojant temperatūrą, gali būti išjungtas sparčiojo vėsinimo režimas



## Šaldymo kameros temperatūros reguliavimas

- Šaldymo temperatūra yra santykinai žema padėtyje COLDER, ir šaldymo temperatūra yra santykinai aukšta padėtyje COLD, taigi paprastai naudojama padėtis NORMAL.
- Kai vasarą aplinkos temperatūra aukšta, temperatūra turi būti intervale nuo NORMAL iki COLD. Jei aplinkos temperatūra yra aukštesnė nei 35 °C, naudojama padėtis COLD.
- Kai žiemą aplinkos temperatūra yra žema, temperatūra turi būti intervale nuo NORMAL iki COLDER. Jei aplinkos temperatūra yra žemesnė nei 10 °C, naudojama padėtis COLDER.

## Įspėjimo apie atidarymą ir pavojaus signalo valdymas

- Atidarius šaldytuvo dureles, pasigirsta durų atidarymo melodija. Jei durys neuždaromos per dvi minutes, garsinis signalas skambės tol, kol jos bus uždarytos. Paspauskite bet kurį mygtuką, kad sustabdytumėte garsinį signalą.

## Trikčių rodmenys

- Toliau pateikti įspėjimai ekrane nurodo atitinkamus šaldytuvo gedimus.
- Nors esant šioms triktims šaldytuve vis tiek gali veikti šaldymo funkcija, naudotojas turi susisiekti su techninės priežiūros specialistu, siekiant užtikrinti optimalų prietaiso veikimą.

Gedimo kodas	Trikčių aprašymas
E1	Šaldytuvo skyriaus temperatūros jutiklio gedimas
E2	Šaldymo kameros temperatūros jutiklio gedimas
E3	Temperatūros jutiklio gedimas vėsavimo stalčiuje
E5	Šaldymo atšildymo jutiklio aptikimo grandinės klaida
E6	Ryšio klaida
E7	Aplinkos temperatūros jutiklio klaida

## Šaldytuvo kamera

- Šaldytuvo kameroje tinka laikyti įvairius vaisius, daržoves, gėrimus ir kitus maisto produktus, sunaudojamus per trumpą laiką: rekomenduojamas laikymo laikas yra 3–5 dienos.
- Prieš įdedant ruošiamą maistą į šaldytuvo kamerą, jį būtina atvėsinti iki kambario temperatūros.
- Prieš dedant į šaldytuvą, maistą rekomenduojama sandariai uždaryti.
- Stiklo lentynos gali būti pakeltos aukštny arba žemyn, kad būtų pakankamai vietos ir patogų naudojimas.

## Šaldymo kamera

- Žemos temperatūros šaldymo kameroje galima ilgai išlaikyti maistą šviežią; ji daugiausia naudojama šaldytiems maisto produktams laikyti ir ledui gaminti.
- Šaldymo kameroje tinka laikyti mėsą, žuvį, ryžių kukulius ir kitus maisto produktus, kurie artimiausiu metu nebus vartojami.
- Mėsos gabalus pageidautina suskirstyti į mažus gabalėlius, kad būtų galima greitai užšaldyti ir lengvai pasiekti. Maistas turi būti suvartotas per jo galiojimo laikotarpį.

## Vėsinimo stalčius

- Tinka trumpą laiką (1–3 dienas) valgyti šviežią žuvį, šviežią mėsą, šviežią maistą ir t. t.
- Netoli stalčiaus galo ir apačios maistas gali būti užšaldytas; maisto, kuris neturėtų būti užšaldytas, dėti negalima.
- Rekomenduojamas maisto klasifikavimo ir sandarinimo paketas.

### DĖMESIO

Pastaba. Laikant per daug maisto veikimo metu po pradinio prijungimo prie maitinimo šaltinio, gali būti neigiamai paveiktas šaldytuvo šaldymo efektas.

Seka	Skyriai TIPAS	Tikslinė laikymo temp. [°C]	Tinkamas maistas
1	Šaldytuvas	+2 ~ +8	Kiaušiniai, virtas maistas, supakuotas maistas, vaisiai ir daržovės, pieno produktai, pyragai, gėrimai ir kiti maisto produktai šaldymui netinka.
2	(***)*- šaldiklio	≤-18	Jūros gėrybės (žuvis, krevetės, vėžiagyviai), gėlavandeniai vandens produktai ir mėsos produktai (rekomenduojama laikyti 3 mėnesius, kuo ilgesnis laikymo laikas, tuo prastesnis skonis ir maistingumas), tinka šaldytiems šviežiams maisto produktams.
3	***-šaldiklio	≤-18	Jūros gėrybės (žuvis, krevetės, vėžiagyviai), gėlavandeniai vandens produktai ir mėsos produktai (rekomenduojama laikyti 3 mėnesius, kuo ilgesnis laikymo laikas, tuo prastesnis skonis ir maistingumas), tinka šaldytiems šviežiams maisto produktams.
4	**šaldiklio	≤-12	Jūros gėrybės (žuvis, krevetės, vėžiagyviai), gėlavandeniai vandens produktai ir mėsos produktai (rekomenduojama laikyti 3 mėnesius, kuo ilgesnis laikymo laikas, tuo prastesnis skonis ir maistingumas), tinka šaldytiems šviežiams maisto produktams.
5	*šaldiklio	≤-6	Jūros gėrybės (žuvis, krevetės, vėžiagyviai), gėlavandeniai vandens produktai ir mėsos produktai (rekomenduojama laikyti 3 mėnesius, kuo ilgesnis laikymo laikas, tuo prastesnis skonis ir maistingumas), tinka šaldytiems šviežiams maisto produktams.
6	0-žvaigždučių	-6 ~ 0	Šviežia kiauliena, jautiena, žuvis, vištiena, kai kurie supakuoti perdirbti maisto produktai ir t. t. (Rekomenduojama suvalgyti tą pačią dieną, pageidautina ne vėliau kaip per 3 dienas). Iš dalies hermetizuoti perdirbti maisto produktai (neužšaldomas maistas).
7	Vėsinimo	-2 ~ +3	Šviežia / šaldyta kiauliena, jautiena, vištiena, gėlavandenių žuvis ir augalų produktai ir t. t. (7 dienas žemesnėje nei 0 °C temperatūroje, o aukštesnėje nei 0 °C temperatūroje rekomenduojama suvartoti per tą pačią dieną, pageidautina ne ilgiau kaip 2 dienas). Jūros gėrybės (žemesnėje nei 0 °C 15 dienų, nerekomenduojama laikyti aukštesnėje nei 0 °C temperatūroje).
8	Šviežias maistas	0 ~ +4	Šviežia kiauliena, jautiena, žuvis, vištiena, virtas maistas ir t. t. (Rekomenduojama suvalgyti per tą pačią dieną, pageidautina ne ilgiau kaip per 3 dienas)
9	Vynas	+5 ~ +20	Raudonasis vynas, baltasis vynas, putojantis vynas ir t. t.

LT

## DĖMESIO

laikykite skirtingus maisto produktus, atsižvelgdami į įsigytų maisto produktų skyrius arba tikslinę laikymo temperatūrą.

# VALYMAS IR PRIEŽIŪRA

## Bendras valymas

- Už šaldytuvo ir ant žemės esančios dulkės turi būti laiku išvalomos, siekiant pagerinti aušinimo efektą ir energijos taupymą.
- Reguliariai tikrinkite durų tarpiklį, kad įsitikintumėte, jog nėra pašalinių medžiagų. Valykite durelių tarpiklį minkšta šluoste, sudrėkinta muiluotu vandeniu arba praskiestu plovikliu.
- Šaldytuvo vidų reikia reguliariai valyti, kad būtų išvengta nemalonaus kvapo.
- Prieš valydami vidų, išjunkite maitinimą, išimkite visus maisto produktus, gėrimus, lentynėles, stalčius, ir t.
- Šaldytuvo vidui valyti naudokite minkštą šluostę ar kempinę su dviem šaukštais valgomosios sodos ir kvorta šilto vandens. Tada nuplaukite vandeniu ir nuvalykite. Nuvalę, atidarykite dureles ir prieš įjungdami maitinimą leiskite natūraliai išdžiūti.
- Vietas, kurias šaldytuve sunku nuvalyti (pvz., siaurus tarpus ar kampus), rekomenduojama reguliariai nuvalyti minkštu skudurėliu, minkštu šepetėliu ir kt. ir, jei reikia, naudojant pagalbinį įrankius (pvz., plonas lazdeles), siekiant užtikrinti, kad šiose vietose nebūtų teršalų ar ir nesikauptų bakterijos.
- Nenaudokite muilo, ploviklio, šveitimo miltelių, purškimo valytuvo ir kt., nes tai šaldytuvo viduje gali sukelti nemalonius kvapus arba sugesti maistas.
- Valykite butelių rėmą, lentynėles ir stalčius minkštu skudurėliu, sudrėkintu muiluotu vandeniu arba praskiestu plovikliu. Išdžiovinkite minkštu skudurėliu arba leiskite natūraliai išdžiūti.
- Nuvalykite išorinį šaldytuvo paviršių minkštu skudurėliu, sudrėkintu muiluotu vandeniu, plovikliu ir kt., tada nusausinkite.
- Nenaudokite kietų šepetėlių, plieninių rutuliukų, vielinių šepetėlių, abrazyvinių medžiagų (pvz., dantų pastos), organinių tirpiklių (pvz., alkoholio, acetono, bananų aliejaus ir kt.), verdančio vandens, rūgštinių ar šarminių elementų, kurie gali pažeisti šaldytuvo paviršių ir vidų. Verdantis vanduo ir organiniai tirpikliai, pvz., benzenas, gali deformuoti arba sugadinti plastikinę dalį.
- Valydami neplaukite vandeniu ar kitais skysčiais, kad išvengtumėte trumpų jungimų ir nesugadintumėte elektros izoliacijos po panardinimo.

## DĖMESIO

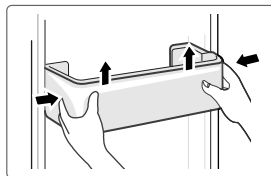
Atšildydami ir valydami, atjunkite šaldytuvą nuo maitinimo šaltinio.

## Atšildymas

- Šaldytuvą pagamintas pagal oro aušinimo principą, todėl jame įdiegta automatinio atšildymo funkcija. Šerkšną, susidariusį dėl sezoniško ar temperatūros pasikeitimo, taip pat galima pašalinti rankiniu būdu, atjungiant prietaisą nuo maitinimo šaltinio arba nušluostant sausu rankšluosčiu.

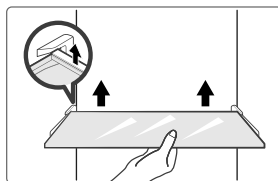
## Durelių dėklo valymas

- Pagal krypties rodyklę žemiau esančiame paveikslėlyje abiem rankomis suspauskite dėklą ir pastumkite jį aukštyn, kad galėtumėte išimti.
- Išplovē dėklą, kurį išėmėte, galite nustatyti jo montavimo aukštį pagal poreikį.



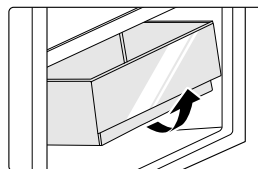
## Stiklinės lentynėlės valymas

- Vidinėje šaldytuvo įdėklo dalyje lentynėlės liečiasi su stabdikliu, todėl norėdami išimti lentynėles, pakelkite jas aukštyn.
- Sureguliuokite arba išvalykite lentynėles pagal poreikį.



## Daržovių stalčiaus valymas

1. Ištuštinkite stalčių. Laikykite daržovių stalčiaus rankeną ir ištraukite jį iki galo, kol jis sustos.
2. Pakelkite daržovių stalčių į viršų ir išimkite jį ištraukdami.



## Neveikimas

### Maitinimo sutrikimas:

Dutrikus elektros energijos tiekimui, net jei yra vasara, maisto produktai prietaiso viduje gali būti laikomi kelias valandas; sutrikus elektros energijos tiekimui, durelių atidarymo laikas turi būti sumažintas ir į prietaisą neturi būti dedama daugiau šviežių maisto produktų.

### Ilgai nenaudojant:

Prietaisas turi būti išjungtas ir tada išvalomas; durys paliekamos atviros, kad būtų išvengta nemalonaus kvapo.

### Perkėlimas:

Prieš perkėliant šaldytuvą, išimkite visus viduje esančius daiktus, pritvirtinkite stiklines pertvaras, daržovių laikiklį, šaldymo kameros stalčius ir t. Naudodami juostą ir priveržkite išlyginančias kojeles; uždarykite duris ir pritvirtinkite jas juostelėmis. Perkėliant prietaisas neturi būti apverčiamas aukštyn kojomis arba horizontaliai ir negali vibruoti; perkėlimo metu jis neturi būti pakreiptas didesniu kaip 45° kampu.

### ⚠ DĖMESIO

Paleistas prietaisas turi veikti nepertraukiamai. Paprastai prietaiso veikimas neturi būti nutraukiamas; priešingu atveju gali sumažėti eksploatacavimo trukmė.



# TRIKČIŲ ŠALINIMAS

Toliau nurodytas paprastas problemas gali išspręsti pats naudotojas. Jei problemų išspręsti nepavyksta, skambinkite garantinio aptarnavimo skyriui.

Problema	Galima priežastis
Prietaisas neveikia	• Patikrinkite, ar prietaisas prijungtas prie maitinimo šaltinio ir ar kištukas laikosi tvirtai
	• Patikrinkite, ar ne per žema įtampa
	• Patikrinkite, ar nėra maitinimo tiekimo sutrikimo ir ar neatsijungė grandinės dalis
Nemalonus kvapas	• Nemalonius kvapus skleidžiantys maisto produktai turi būti sandariai suvynioti
	• Patikrinkite, ar nėra supuvusio maisto
	• Išvalykite šaldytuvo vidų
Ilgai veikiantis kompresorius	• Ilgas šaldytuvo veikimas yra įprastas vasarą, kai aplinkos temperatūra yra aukšta
	• Nerekomenduojama vienu metu prietaise laikyti pernelyg daug maisto
	• Prieš įdedant maistą į prietaisą, jis turi būti atvėsintas
	• Durelės darinėjamos per dažnai
Lemputės neužsidega	• Patikrinkite, ar šaldytuvą prijungtas prie maitinimo šaltinio ir ar nepažeista apšvietimo lemputė
	• Lemputę turi pakeisti specialistas
Durelių nepavyksta tinkamai uždaryti	• Durys užstrigo dėl netinkamai sudėtų maisto produktų pakuočių
	• Šaldytuvą pakrypęs.
Didelis triukšmas	• Patikrinkite, ar grindys lygios ir ar šaldytuvą padėtas stabiliai
	• Patikrinkite, ar priedai yra išdėstyti reikiamose vietose

LT

<b>Problema</b>	<b>Galima priežastis</b>
Durelių sandariklis nesandarus	<ul style="list-style-type: none"> <li>• Pašalinkite pašalines medžiagas nuo durelių sandariklio</li> <li>• Pašildykite durų sandariklį ir atvėsinkite jį, kad atkurtumėte (arba papūskite jį elektriniu džiovintuvu ar sušildykite karštu rankšluosčiu).</li> </ul>
Perpildytas vandens indas	<ul style="list-style-type: none"> <li>• Kameroje yra per daug maisto produktų arba laikomuose maisto produktuose yra per daug vandens, todėl įvyksta pernelyg didelis atitirpimas</li> <li>• Durelės nėra tinkamai uždarytos, todėl patekus orui ir padaugėjus vandens dėl atšildymo, susiformuoja šerkšnas</li> </ul>
Karštas korpusas	<ul style="list-style-type: none"> <li>• Įmontuoto kondensatoriaus šilumos išsklaidymas per korpusą, kuris yra normalus Kai korpusas įkaista dėl aukštos aplinkos temperatūros, per daug maisto produktų laikymo ar kompresoriaus išjungimo, užtikrinkite garso ventilaciją, kad palengvintumėte šilumos išsklaidymą.</li> </ul>
Paviršiaus kondensacija	<ul style="list-style-type: none"> <li>• Kondensacija ant šaldytuvo išorinio paviršiaus ir durelių sandariklių yra normalus reiškinys, kai aplinkos drėgmė yra per didelė. Tiesiog nuvalykite kondensatą švariu rankšluosčiu.</li> </ul>
Neįprastas garsas	<ul style="list-style-type: none"> <li>• Zvimbimas: Veikdamas kompresorius gali zvimbti, ir zvimbimai yra garsūs, ypač paleidžiant ar sustabdant. Tai normalu.</li> <li>• Girgždėjimas: Šaldalas, tekantis prietaiso viduje, gali sukelti girgždėjimą. Tai yra normalu.</li> </ul>

# PRIEDAS

## Speciali informacija pagal naują Europos standartą

Užsakytas dalis, nurodytas toliau pateiktoje lentelėje, galima įsigyti iš techninės priežiūros paslaugų teikėjo kanalų.

Užsakyta dalis	Suteikia	Minimalus reikalingas pateikimo laikas
Termostatai	Profesionalus techninės priežiūros personalas	Ne mažiau kaip 7 metai po to, kai rinkai buvo pateiktas paskutinis modelis
Temperatūros jutikliai	Profesionalus techninės priežiūros personalas	Ne mažiau kaip 7 metai po to, kai rinkai buvo pateiktas paskutinis modelis
Spausdintinės plokštės	Profesionalus techninės priežiūros personalas	Ne mažiau kaip 7 metai po to, kai rinkai buvo pateiktas paskutinis modelis
Šviesos šaltiniai	Profesionalus techninės priežiūros personalas	Ne mažiau kaip 7 metai po to, kai rinkai buvo pateiktas paskutinis modelis
Durelių rankenos	Profesionalūs remtininkai ir galutiniai naudotojai	Ne mažiau kaip 7 metai po to, kai rinkai buvo pateiktas paskutinis modelis
Durelių vyriai	Profesionalūs remtininkai ir galutiniai naudotojai	Ne mažiau kaip 7 metai po to, kai rinkai buvo pateiktas paskutinis modelis
Dėklai	Profesionalūs remtininkai ir galutiniai naudotojai	Ne mažiau kaip 7 metai po to, kai rinkai buvo pateiktas paskutinis modelis
Krepšiai	Profesionalūs remtininkai ir galutiniai naudotojai	Ne mažiau kaip 7 metai po to, kai rinkai buvo pateiktas paskutinis modelis
Durelių tarpikliai	Profesionalūs remtininkai ir galutiniai naudotojai	Ne mažiau kaip 10 metai po to, kai rinkai buvo pateiktas paskutinis modelis

## Gerbiamas kliente,

1. Jei norite grąžinti arba pakeisti produktą, kreipkitės į parduotuvę, kurioje perkate.  
(Nepamirškite pasiimti sąskaitos faktūros)
2. Jei jūsų produktas sugedo ir jam reikia remonto, susisiekite su garantinio aptarnavimo paslaugų teikėju.

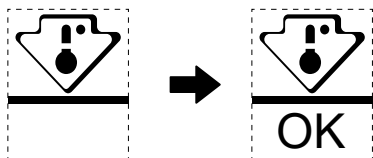
## ● DĖMESIO

Informaciją apie modelį gaminių duomenų bazėje ir modelio identifikatorių galima gauti naudojant interneto nuorodą, nuskaitytą QR kodu, jei yra, pateiktu gaminio energijos vartojimo efektyvumo etiketėje. Norėdami gauti daugiau informacijos apie prietaiso energijos vartojimo efektyvumą, apsilankykite svetainėje <https://ec.europa.eu> ir atlikite paiešką pagal modelio pavadinimą. Modelio pavadinimą rasite prietaiso vardinėje etiketėje.

## Šalčiausia šaldytuvo zona

### PASIRINKTINAI: Temperatūros indikatorius OK

- Temperatūros indikatoriumi OK galima nustatyti žemesnę nei +4 °C temperatūrą. Palaipsniui mažinkite temperatūrą, jei ženkle nerodoma „OK“.



- Siekdami užtikrinti temperatūrą šioje srityje, nekeiskite lentynos padėties. Priverstinio oro šaldytuvuose (su ventiliatoriumi arba modeliai be šerkšno) šalčiausios zonos simbolis nerodomas, nes temperatūra viduje yra vienoda.

### Temperatūros indikatoriaus nustatymas

- Kad būtų lengviau tinkamai nustatyti šaldytuvą, jame yra temperatūros indikatorius, kuris leidžia stebėti vidutinę temperatūrą šalčiausioje zonoje.
- ĮSPĖJIMAS: šis indikatorius skirtas veikti tik su jūsų šaldytuvu. Nenaudokite jo kitame šaldytuve (iš tiesų šalčiausia zona nėra ta pati) ar bet kokiai kitai paskirčiai.

### Temperatūros tikrinimas šalčiausioje zonoje

- Naudodamiesi temperatūros indikatoriumi galite reguliariai tikrinti, ar šalčiausios zonos temperatūra yra tinkama. Iš tiesų šaldytuvo vidaus temperatūra priklauso nuo kelių veiksnių, tokių kaip kambario aplinkos temperatūra, laikomo maisto kiekis ir durelių atidarymo dažnis. Parengdami įrenginį atsižvelkite į šiuos veiksnius.
- Kai indikatorius rodo „OK“, termostatas yra gerai sureguliuotas ir vidinė temperatūra yra tinkama.
- Jei temperatūros indikatorius tampa BALTAS, temperatūra yra per aukšta; tokiu atveju padidinkite šaldytuvo temperatūros reguliavimo nustatymą ir palaukite 12 valandų prieš vėl vizualiai patikrindami indikatorių. Įdėjus šviežią maistą arba palikus dureles atidarytas, temperatūros indikatorius po kurio laiko gali tapti BALTAS.

## LETRA E FALËNDERIMIT

Faleminderit që zgjodhët produktin Midea! Përpara se të përdorni produktin tuaj të ri Midea, ju lutemi lexojeni plotësisht këtë manual për t'u siguruar që dini t'i përdorni në mënyrë të sigurt veçoritë dhe funksionet që pajisja juaj e re zotëron.

# PËRMBAJTJA

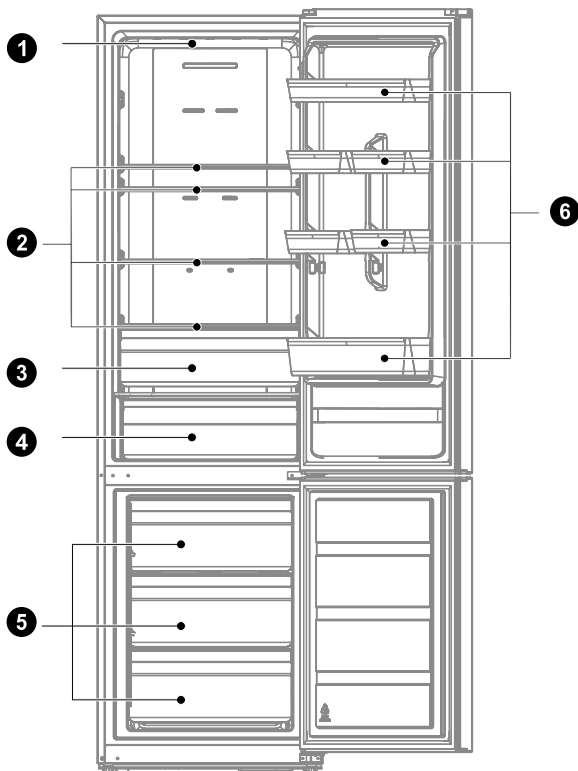
LETRA E FALËNDERIMIT .....	01
SPECIFIKIMET .....	02
PËRMbledhja e Produktit .....	03
Instalimi i Produktit .....	04
Udhëzime Punimi .....	12
Pastrimi dhe Mirëmbajtja .....	17
Zgjidhja e Problemeve .....	19
Shtojcë .....	21

# SPECIFIKIMET

<b>Modeli i produktit</b>	<b>MDRB489FGE</b>
Volumi i Dhomës Për Ruajtjen e Ushqimit të Freskët	247 L
Volumi i Dhomës së Ushqimit të Ngrirë	83 L
Tipi i Shkrirjes	Shkrirja automatike
Koha e Rritjes së Temperaturës	8 h
Kapaciteti i Ngrirjes	4 kg/24orë
Tensioni/frekuenca e klasifikuar	220-240V-/50Hz
Vlera e Rrymës Elektrike	0,7 A
Përmasat e Përgjithshme (Lart x Gjer x Thell)	2010x595x635 mm

# PËRMBLEDHJA E PRODUKTIT

## Emrat e përbërësve



1 Ndiriçimi LED

2 Raft

3 Kosh për fruta dhe perime

4 Sirtar për ftohje

5 Fioka

6 Sirtarët e dyerve

### ● VINI RE

Fotografia e mësipërme është vetëm për referencë. Konfigurimi i vërtetë do të varet nga produkti fizik ose deklarata nga distributori

AL

# INSTALIMI I PRODUKTIT

## Instruksonet e instalimit

### Për pajisjet ftohëse me klasë klimatike

- Në varësi të klasës klimatike, kjo pajisje ftohëse synohet të përdoret në diapazonin e temperaturave të mjedisit siç specifikohet në tabelën e mëposhtme.
- Klasa e klimës mund të gjendet në pllakën e veçorive. Produkti mund të mos funksionojë siç duhet në temperatura jashtë diapazonit specifik.
- Klasën e klimës mund ta gjeni në etiketën e produktit.

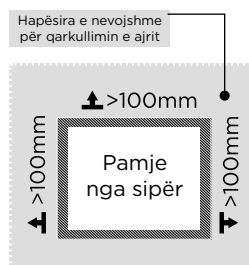
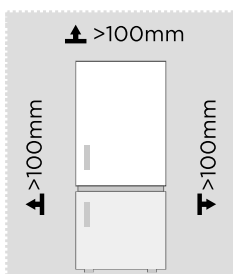
### Diapazoni i temperaturave efektive

- Produkti është ideuar për të punuar normalisht në diapazonin e temperaturave të specifikuar nga veçoritë e klasës së tij.

Klasa	Simboli	Diapazoni i temperaturës së mjedisit °C	
		IEC 62552 (ISO 15502)	ISO 8561
Ngrohtë e zgjeruar	SN	+ 10 në + 32	+ 10 në + 32
Ngrohtë	N	+ 16 në + 32	+ 16 në + 32
Subtropikal	ST	+ 18 në + 38	+ 16 në + 38
Tropikal	T	+ 18 në + 43	+ 16 në + 43

### Përmasat dhe hapësirat

- Distanca shumë e vogël nga sendet ngjitur mund të çojë në zvogëlimin e aftësisë ngrirëse dhe në rritjen e kostove të energjisë elektrike. Lini mbi 100 mm hapësirë nga secili mur ngjitur kur instaloni pajisjen.

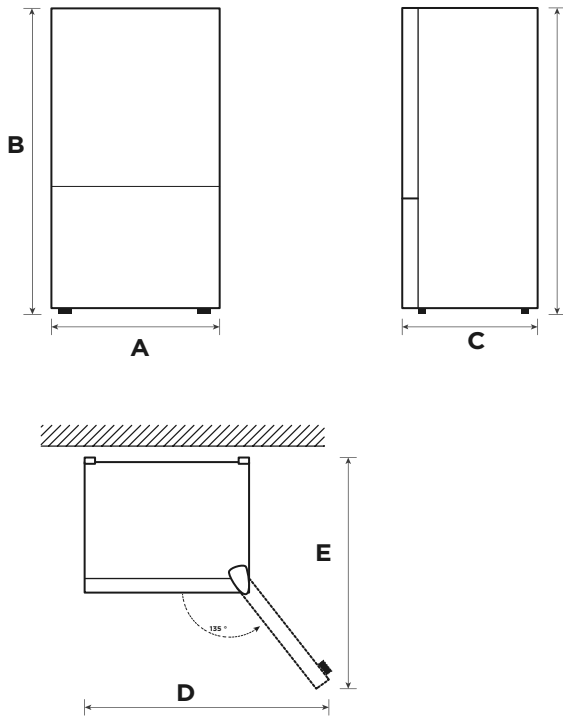


### VINI RE

Fotografia e mësipërme është vetëm për referencë. Konfigurimi i vërtetë do të varet nga produkti fizik ose deklarata nga distributori



Diagrami i kërkesës për hapësirë (kur dera është e hapur dhe kur dera është e mbyllur)



Gjerësia	Lartësia e përgjithshme	Thellësia	Gjerësia e hapjes së dyerve 135°	Thellësia e hapjes së dyerve 135°
A	B	C	D	E
595	2010	635	1016	1186

AL

Njoftim: Të gjitha përmasat në mm

## Ndryshimi i kahut të derës djathtas-majtas (opsional)

Në varësi të vendndodhjes ku planifikoni ta përdorni frigoriferin tuaj, mund t'a keni më të përshtatshme t'a ndryshoni pozicionin e derës.

### KUJDES

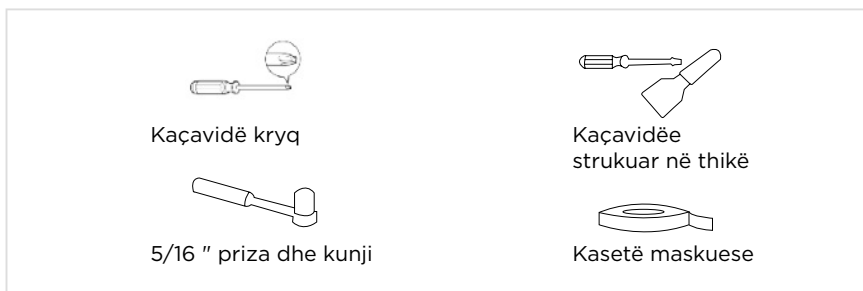
KUJDES: Për të shmangur dëmtimin e vetes ose të pronës suaj, ne rekomandojmë që dikush t'ju ndihmojë gjatë procesit të ndryshimit të pozicionit të kahut të derës.

Përgatitja për të ndryshuar pozicionin e kahut të derës

Do t'ju duhet: Një kaçavidë standarde, një kaçavidë Phillips dhe çelësi Allen i përfshirë në paketim.

- Sigurohuni që frigoriferi juaj të jetë i hequr nga priza dhe të jetë bosh.
- Mbani dikë në dispozicion për t'ju ndihmuar në këtë proces.
- Ruajini të gjitha pjesët që hiqni për t'i ripërdorur më vonë.

### Mjetet e nevojshme për ndryshimin e kahut të derës:

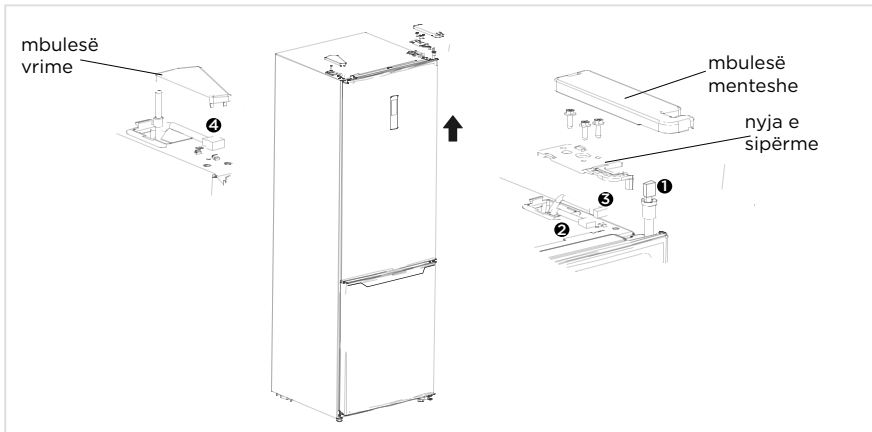


### Pjesët që do të përdoren për ndryshimin e kahut të derës

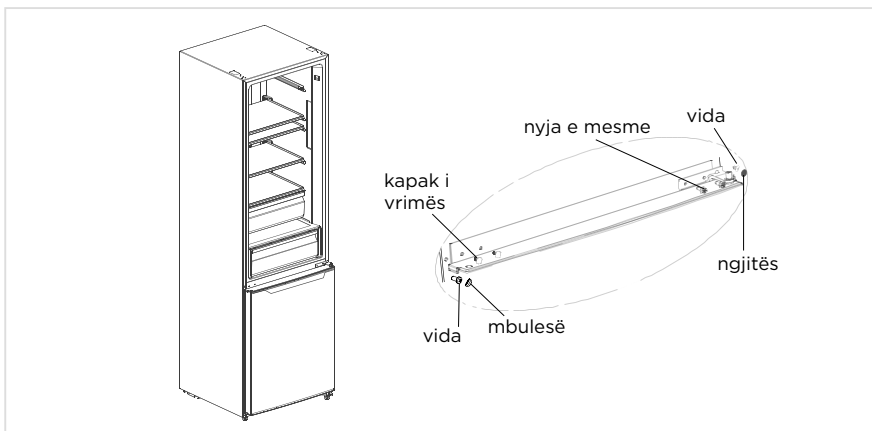
SN	Emri	Numri	Shënime
1	Krahu i menteshave të boshtit	1	Të instaluar paraprakisht në frigorifer për t'u përdorur gjatë ndërrimit të derës
2	Vidha e menteshës së sipërme	1	
3	Tapa e djathtë	1	E instaluar paraprakisht në frigorifer, hiqet kur derës i ndryshohet kahu dhe ruhet për përdorim në të ardhmen
4	Montimi i kapakut të menteshës	1	
5	Ndërprerës në formë shtyllë	1	Të instaluar paraprakisht në frigorifer për t'u përdorur gjatë ndërrimit të derës
6	Kapaku i menteshës së djathtë	1	E instaluar paraprakisht në frigorifer, hiqet kur derës i ndryshohet kahu dhe ruhet për përdorim në të ardhmen
7	Mentesa e sipërme e djathtë	1	
8	Këmba e rregullueshme	1	Të instaluar paraprakisht në frigorifer për t'u përdorur gjatë ndërrimit të derës
9	Paketa e aksesorëve	3	Mentesa e sipërme e majtë/Kapaku i menteshës së sipërme të majtës/Tapa e msjtë
10	Montimi i menteshës së poshtme	1	
11	Vidha e menteshës së poshtme	2	Të instaluar paraprakisht në frigorifer për t'u përdorur gjatë ndërrimit të derës
12	Pllaka e mbulesës së poshtme	1	
13	Mbulesa e vrimës	1	

## Hapi:

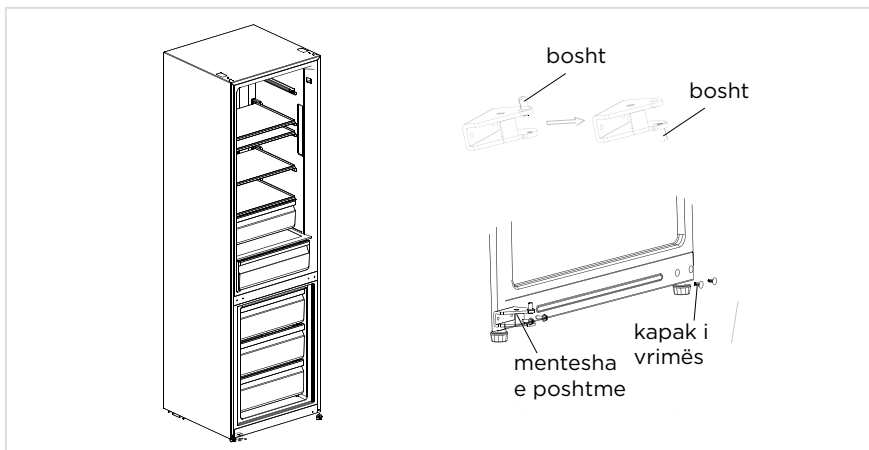
1. Ju lutemi stakojeni këtë pajisje përpara se t'a kryeni këtë veprim. Hiqini të gjitha ushqimet nga raftet e derës. Fiksojeni derën me shirita.
2. Çmontojeni kapakun e sipërm të menteshës, vidhat dhe menteshën e sipërme dhe hiqeni kapakun e vrimës nga ana tjetër. Hiqeni nga priza konektorin e kablllove në anën e djathtë të sipërme të frigoriferit (1, 3 konektorin e kablllove)



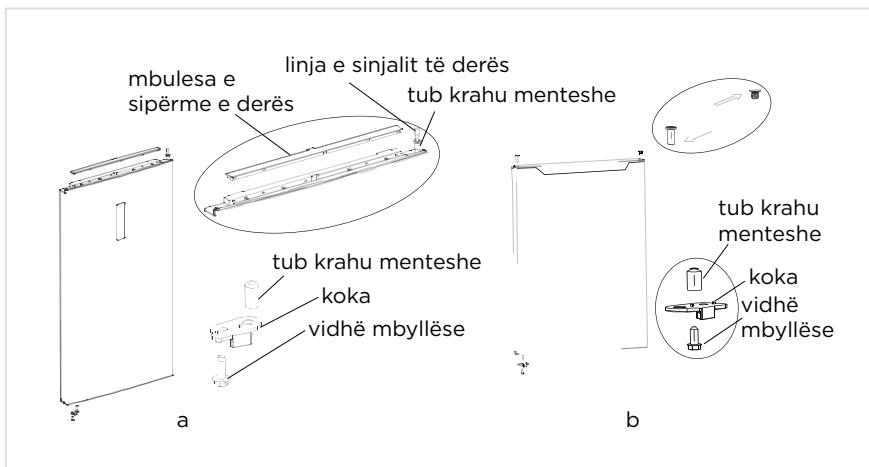
3. Hiqeni derën e dhomës frigoriferike, si dhe kapakun e vidhave, ngjitesen dhe menteshën e mesme, kapakun e vrimës.



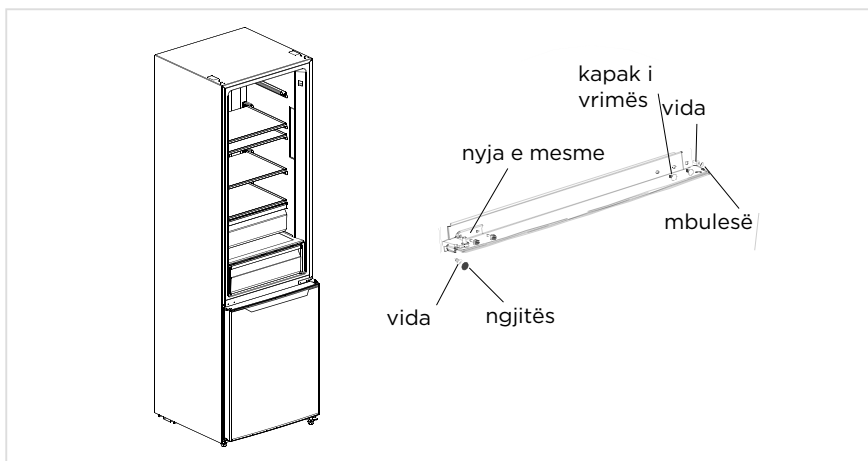
4. Hiqeni derën e dhomës ngrirëse, çmontoni menteshën e poshtme, kapakët e vrimave. Instaloni boshtin e menteshës së poshtme në anën tjetër dhe instaloni menteshën e poshtme në anën tjetër të boshtit të poshtëm.



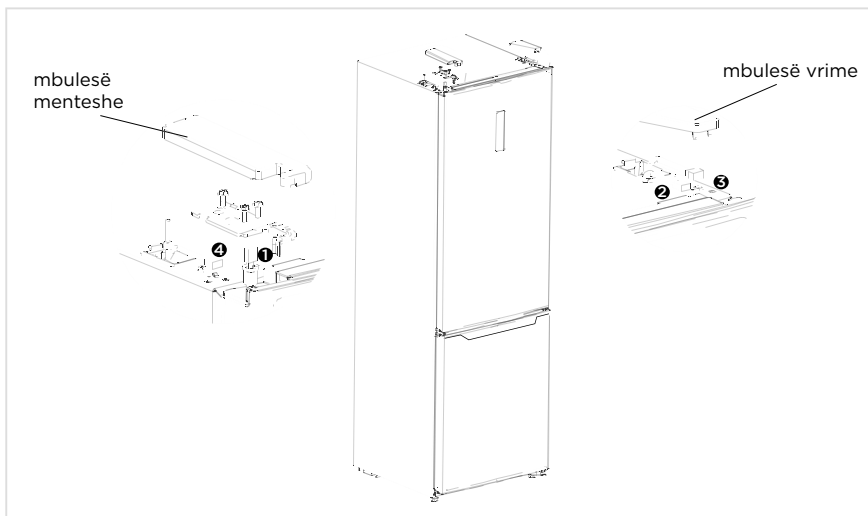
5. a) Hiqeni kapakun e sipërm të derës së dhomës frigoriferike, instaloni krahun e sipërm të menteshës, linjën e sinjalit të derës në anën tjetër dhe instaloni kapakun e sipërm të derës. Çmontoni tapën dhe tubin e krahut të menteshës nga skaji i djathtë i derës së dhomës së ngrirjes, nxirrni një tjetër tapë rezervë (për derën e ndryshueshme) dhe montojeni me vidë tubin e krahut të menteshës dhe tapën rezervë në pjesën e poshtme të majtë të derës, instaloni krahun e sipërm të menteshës, linjën e sinjalit të derës në anën tjetër dhe instaloni kapakun e sipërm të derës.
- b) Çmontoni tapën dhe tubin e krahut të menteshës nga skaji i djathtë i derës së dhomës së ngrirjes, nxirrni një tjetër tapë rezervë (për derën e ndryshueshme) dhe montojeni me vidë tubin e krahut të menteshës dhe tapën rezervë në skajin e majtë të derës. Hiqeni tubin e krahut të menteshës dhe kapakët e vrimave në derën e dhomës së ngrirjes dhe montojini ato në anën tjetër.



6. Vendoseni derën e ngrirjes në menteshën e poshtme, instaloni menteshën e mesme, kapakët e vrimave, kapakun e vidhave dhe ngjitesin.



7. Hiqeni menteshën e sipërme të majtë, kapakun e menteshes së sipërme të majtë nga pakoja e aksesorëve. Vendoseni derën e frigoriferit në menteshën e mesme, instalojeni menteshën e sipërme. Lidhni terminalin e linjës së sinjalit ④ me terminalin tjetër të linjës së sinjalit ①, lidhni terminalin e linjës së sinjalit ② me terminalin e linjës së sinjalit ③; instaloni kapakun e menteshës së sipërme dhe kapakun e vrimës.



**VINI RE**

Fotografia e mësipërme është vetëm për referencë. Konfigurimi i vërtetë do të varet nga produkti fizik ose deklarata nga distributori.

AL

## Vendosja

- Përpara përdorimit, hiqini të gjitha materialet e paketimit, duke përfshirë jastëkët e poshtëm, jastëkët me shkumë dhe shiritat brenda frigoriferit; griseni cipën mbrojtëse në dyert dhe trupin e frigoriferit.
- Mbajeni larg burimeve të nxehtësisë dhe shmangni rrezet direkte të diellit. Mos e vendosni frigoriferin në vende me lagështi ose me ujë për të parandaluar ndryshkjen ose zvogëlimin e efektit izolues.
- Mos e spërkatni ose lani frigoriferin; mos e vendosni frigoriferin në vende me lagështi lehtësisht të spërkatshme me ujë në mënyrë që kjo të mos ndikojë në vetitë e izolimit elektrik të frigoriferit.
- Frigoriferi vendoset në një ambient të brendshëm të ajrosur mirë; terreni duhet të jetë i sheshtë dhe i fortë (rrotullojeni rrotën e nivelimit majtas ose djathtas për ta rregulluar nëse pajisja është e paqëndrueshme).



## Këmbët e nivelimit

Njësia duhet të nivelohet për të shmangur dridhjet.

Nëse është e nevojshme, rregulloni vidhat e nivelimit për të kompensuar dyshtemenë e paniveluar.

Pjesa e përparme duhet të jetë pak më e ngritur se pjesa e pasme për të ndihmuar në mbylljen e derës.

Vidhat e nivelimit mund të rrotullohen lehtësisht duke e anuar paksa strukturën.

Rrotulloni vidhat e nivelimit në drejtim të kundërt të akrepave të orës për të ngritur më  lart njësinë, dhe në drejtim të akrepave të  orës për ta ulur atë.

## Lëvizja e pajisjes

1. Hiqini të gjitha ushqimet nga brendësia e pajisjes
2. Hiqeni spinën elektrike, futeni dhe fiksojeni atë në mbajtësen e spinës në pjesën e pasme ose të sipërme të pajisjes.
3. Fiksojeni me letër ngjitëse pjesët si raftet dhe dorezën e derës për të shmangur rrëzimin gjatë lëvizjes së pajisjes.
4. Lëvizni me kujdes pajisjen duke angazhuar më shumë se dy persona. Gjatë transportimit të pajisjes në një distancë të gjatë, mbajeni pajisjen në këmbë.
5. Pas instalimit të pajisjes, futeni spinën elektrike në një prizë për të nderur pajisjen.

## VINI RE

Masat paraprake para vënies në punë:

Përpara se të bëni ndryshime, frigoriferi duhet të shkëputet nga rryma. duhen marrë masa paraprake për të parandaluar ndonjë dëmtim vetjak.

## Ndërrimi i dritës

- Çdo zëvendësim ose proces mirëmbajtjeje e llambave LED është llogaritur të bëhet nga prodhuesi, agjenti i tij i shërbimit ose ndonjë person i ngjashëm i kualifikuar. Ky produkt përmban një burim drite të klasës të efikasitetit të energjisë <F>.

### Hapi

1. Ju lutemi hiqeni spinën përpara se ta ndërroni dritën.
2. Hiqeni kapakun e dritës me anë të një kaçavide.



3. Çmontojeni panelin e llambës.
4. Largojeni terminalin e lidhjes.



## Lidhja e pajisjes

Përpara vënies fillestare në punë, mbajeni frigoriferin të palëvizshëm për gjysmë ore përpara se ta lidhni me burimin e furnizimit me energji elektrike.

### ● VINI RE

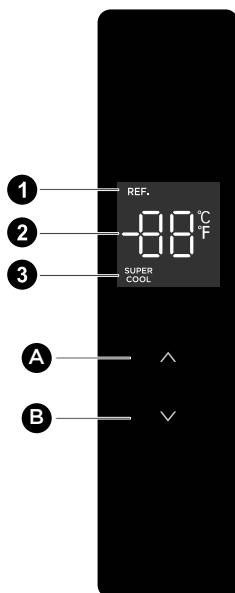
Para se të vendosni ushqime të freskëta ose të ngrira, frigoriferi duhet të punojë 2-3 orë, ose mbi 4 orë gjatë verës, kur temperatura e ambientit është e lartë.

## Këshilla për kursimin e energjisë

- Pajisja duhet të vendoset në zonën më të freskët të dhomës, larg pajisjeve që prodhojnë nxehtësi ose tubave të ngrohjes dhe larg rrezeve të drejtpërdrejta të diellit.
- Lërimi ushqimet e nxehta të ftohen në temperaturën e dhomës përpara se t'i vendosni në pajisje. Mbingarkimi i pajisjes e detyron kompresorin të punojë për një kohë më të gjatë. Ushqimet që ngrijnë shumë ngadalë mund të humbasin cilësinë, ose të prishen.
- Sigurohuni që t'i mbështillni ushqimet siç duhet dhe fshijini enët duke i tharë përpara se t'i vendosni në pajisje. Kjo ulin formimin e ngricave brenda pajisjes.
- Koshi i magazinimit të pajisjes nuk duhet të jetë i veshur me letër alumini, letër dylli ose me letër duarsh. Linerët ndërhynjë në qarkullimin e ajrit të ftohtë, duke e bërë pajisjen më pak efektive.
- Organizojeni dhe etiketojeni ushqimin për të reduktuar hapjet e dyerve dhe kërkimet e zgjatura në kohë. Nxirrni sa më shumë artikuj të nevojshëm për atë kohë, dhe mbyllni derën sa më shpejt të jetë e mundur.

# UDHËZIME PUNIMI

## Paneli i kontrollit



### VINI RE

Fotografia e mësipërme është vetëm për referencë. Konfigurimi i vërtetë do të varet nga produkti fizik ose deklarata nga distributori.

### Butoni i cilësimeve

**A** Butoni i Temperature up (Ngritjes së temperaturës)

**B** Butoni i Temperature down (Uljes së temperaturës)

### Shfaqja e ekranit

**1** Ikona e Refrigerating (Ftohjes)

**2** Ikona e Temperature display (Shfaqjes së temperaturës)

**3** Ikona e Super freezing (Superngrirjes)



## Ekрани

- Kur e ndizni frigoriferin për herë të parë, i gjithë paneli i ekranit do të ndriçojë për 3 sekonda. Kur paneli i ekranit hyn në pamjen normale të ekranit. Drita e ekranit të derës së hapur është e ndezur; Kur dera mbyllet, drita e ekranit fiket. Herën e parë të përdorimit të frigoriferit, temperatura e paracaktuar e dhomës frigoriferike është 5°C.
- Kur ndodh ndonjë gabim, paneli i ekranit shfaq kodin e gabimit. Në të kundërt, paneli i ekranit tregon temperaturën e vendosur.

## Vendosja e temperaturës

- Shtypni butonin e ngritjes së temperaturës “ $\Delta$ ” përmes tij mund të rregulloni temperaturën, për çdo klikim i butonit të ngritjes së temperaturës “ $\Delta$ ”, temperatura e vendosur do të rritet me 1°C; Shtypni butonin e uljes së temperaturës “ $\nabla$ ” me të mund të rregulloni temperaturën, për çdo klikim të butonit të uljes së temperaturës “ $\nabla$ ”, temperatura e vendosur do të ulet me 1°C; Diapazoni i cilësimit të temperaturës së dhomës së ftohjes është 2-8°C. Kur temperatura vendoset në vlerën kufitare, frigoriferi do tringëllojë një sinjal alarmi nëse butoni i ngritjes së temperaturës “ $\Delta$ ” ose butoni i ngritjes së temperaturës “ $\nabla$ ” janë ende të shtypur.

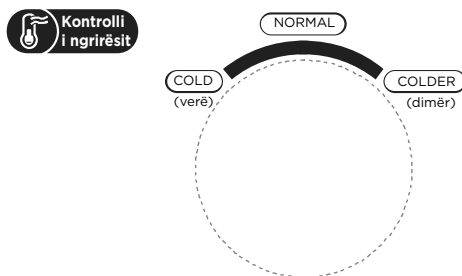
## Vendosni modalitetin

- Vendosni modalitetin Super Cooling (Super Ftohje): pasi temperatura e dhomës së ftohjes të jetë rregulluar në 2°C, shtypni butonin e uljes së temperaturës “ $\nabla$ ” për të hyrë në modalitetin e super ftohjes. Në modalitetin e Super cooling (super ftohjes), temperatura e dhomës së ftohjes vendoset automatikisht në 2°C.
- Dilni nga modaliteti Super Cooling (Super Ftohje): shtypni butonin e ngritjes së temperaturës “ $\Delta$ ” për të dalë nga modaliteti i super ftohjes ose përndryshe pajisja do të dalë automatikisht nga modaliteti i super ftohjes pas 6 orësh. Pas daljes nga modaliteti i Super cooling (super ftohjes), temperatura e frigoriferit do të rikthehet automatikisht në temperaturën e vendosur përpara hyrjes në modalitetin e super ftohjes.

## Alarmi i kontrollit të hapjes

- Nëse dera nuk mbyllet brenda dy minutash, do të tingëllojë zilja derisa të mbyllet dera. Shtypni ndonjë buton për të ndaluar alarmin e lëvizjes.

## Rregullimi i temperaturës mund të dalë nga modaliteti i ftohjes së shpejtë



## Kontrolli i temperaturës së dhomës së ngrirjes

- Temperatura e ngrirjes është relativisht e ulët në pozicionin “COLDER (MË FTOHTË)”, ndërsa temperatura e ngrirjes është relativisht e lartë në pozicionin “COLD (FTOHTË)”, kështu që përgjithësisht përdoret pozicioni “NORMAL (NORMALE)”.
- Kur temperatura e mjedisit është e lartë në verë, temperatura duhet të jetë në diapazonin ndërmjet “NORMAL (NORMALE)” dhe “COOL (FTOHTË)”. Nëse temperatura e ambientit është mbi 35°C, atëherë do të mbizotërojë pozicioni “COOL (FTOHTË)”.
- Kur temperatura e mjedisit është e ulët në dimër, temperatura duhet të jetë në diapazonin nga “NORMAL (NORMALE)” në “COLDER (MË FTOHTË)”. Nëse temperatura e ambientit është nën 10°C, atëherë do të mbizotërojë pozicioni “COLDER (MË FTOHTË)”.

## Hapja e kontrollit të paralajmërimit dhe alarmit

- Kur hapni derën e frigoriferit, do të dëgjohet tingulli i derës së hapur. Nëse dera nuk mbyllet për dy minuta, zilja do të vazhdojë të bjerë derisa dera të mbyllet. Shtypni ndonjë buton për të ndaluar alarmin e lëvizjes.

## Dështimi i treguesit

- Paralajmërimet e mëposhtme që shfaqen në ekran tregojnë defektet përkatëse të frigoriferit.
- Megjithëse frigoriferi mund t'a ketë ende funksionin e ruajtjes në të ftohtë me defektet e mëposhtme, përdoruesi duhet të kontaktojë një specialist të mirëmbajtjes për shërbimin e mirëmbajtjes, në mënyrë që të sigurojë funksionimin optimal të pajisjes.

Kodi i Gabimit	Përshkrimi i Gabimit
E1	Dështimi i sensorit të temperaturës i dhomës së ftohjes
E2	Dështimi i sensorit të temperaturës i dhomës së ngrirjes
E3	Dështimi i sensorit të temperaturës në sirtarin e ftohjes
E5	Senzori i gabuar i zbulimit të shkrirjes së frizit.
E6	Gabim në komunikim
E7	Gabim i sensorit të temperaturës së ambientit

## VINI RE

Shënim: Funksioni i ngrirjes së shpejtë është krijuar për të ruajtur vlerat ushqimore të ushqimeve në frigorifer. Ai mund t'a ngrijë ushqimin në kohën më të shkurtër të mundshme. Nëse një sasi e madhe ushqimi ngrihet njëkohësisht, rekomandohet që përdoruesi të aktivizojë funksionin e ngrirjes së shpejtë dhe të vendosë ushqimin brenda. Në këtë kohë, shpejtësia e ngrirjes së dhomës ngrirëse rritet, gjë që mund ta ngrijë ushqimin shpejt, bllokojnë në mënyrë efikase humbjen e vlerave ushqimore dhe të lehtësojnë ruajtjen.

## Dhoma frigoriferike

- Dhoma frigoriferike është e përshtatshme për ruajtjen e një shumëllojshmërie frutash, perimesh, pijesh dhe ushqimesh të tjera të konsumueshme në afat të shkurtër, ku kohëzgjatja e sugjeruar e ruajtjes nga 3 deri në 5 ditë.
- Ushqimet e gatuar nuk duhet të vendosen në dhomën e ftohjes derisa ato të ftohen në temperaturën e dhomës.
- Ushqimet rekomandohen të mbylLEN hermetikisht përpara se të futen në frigorifer.
- Raftet e qelqit mund të rregullohen më lart ose më poshtë për të krijuar një hapësirë të përshtatshme magazinimi dhe një përdorim të lehtë.

## Dhoma e ngrirjes

- Dhoma e ngrirjes me temperaturë të ulët mund ta mbajë ushqimin të freskët për një kohë të gjatë dhe ajo përdoret kryesisht për të ruajtur ushqimet e ngrira dhe për të prodhuar akull.
- Dhoma e ngrirjes është e përshtatshme për ruajtjen e mishit, peshkut, topthave të orizit dhe ushqimeve të tjera të cilat nuk janë të domosdoshme të konsumohen në afat të shkurtër.
- Preferohet që copat e mishit të ndahen në thela të vogla për ngrirje të shpejtë dhe akses të lehtë. Ju lutemi vini re që ushqimi të konsumohet brenda kohës së raftit.

## Sirtar për ftohje

- I përshtatshëm në terma afatshkurtër (1-3 ditë) për konsumin e peshkut të freskët, mishit të freskët, ushqimit të freskët etj.
- Pranë pjesës së pasme dhe të poshtme të sirtarit, ushqimi mund të jetë i ngrirë, ushqimi i cili nuk duhet të ngrihet nuk mund të vendoset aty.
- Rekomandohet të bëhet klasifikimi i ushqimit dhe mbyllja hermetike e pakove.

### VINI RE

Shënim: Ruajtja e një sasive të tepërt ushqimi gjatë vënies në punë pas lidhjes fillestare me burimin elektrik mund të ndikojë negativisht në efektin ngrirës të frigoriferit.

Numër serik	TIPI i ndarjes	Temperatura e synuar e ruajtjes [°C]	Ushqimi i përshtatshëm
1	Ngrirësi	+2 - +8	Vezët, ushqimet e gatuar, ushqimet e paketuara, frutat dhe perimet, produktet e qumështit, ëmbëlsirat, pijet dhe ushqimet e tjera nuk janë të përshtatshme për ngrirje.
2	(***)*-Freezer (Ngrirësi)	≤-18	Ushqimet e detit (peshk, karkaleca, butakë), produktet ujore të ujërave të ëmbla dhe produktet e mishit (rekomandohen të ruhen për 3 muaj, sa më e gjatë të jetë koha e ruajtjes, aq më e dobët është shija dhe vlerat ushqimimore), i përshtatshëm për ushqime të freskëta të ngrira.
3	***-Freezer (Ngrirësi)	≤-18	Ushqimet e detit (peshk, karkaleca, butakë), produktet ujore të ujërave të ëmbla dhe produktet e mishit (rekomandohen të ruhen për 3 muaj, sa më e gjatë të jetë koha e ruajtjes, aq më e dobët është shija dhe vlerat ushqimimore), i përshtatshëm për ushqime të freskëta të ngrira.
4	** -Freezer (Ngrirësi)	≤-12	Ushqimet e detit (peshk, karkaleca, butakë), produktet ujore të ujërave të ëmbla dhe produktet e mishit (rekomandohen të ruhen për 3 muaj, sa më e gjatë të jetë koha e ruajtjes, aq më e dobët është shija dhe vlerat ushqimimore), i përshtatshëm për ushqime të freskëta të ngrira.
5	*-Freezer (Ngrirësi)	≤-6	Ushqimet e detit (peshk, karkaleca, butakë), produktet ujore të ujërave të ëmbla dhe produktet e mishit (rekomandohen të ruhen për 3 muaj, sa më e gjatë të jetë koha e ruajtjes, aq më e dobët është shija dhe vlerat ushqimimore), i përshtatshëm për ushqime të freskëta të ngrira.
6	0-yje	-6 - 0	Mishi i dërrit i freskët, viçi, peshku, pula, disa ushqime të përpunuara të paketuara etj. (Rekomandohet të konsumohen brenda së njëjtës ditë, mundësisht jo më shumë se pas 3 ditësh). Ushqime pjesërisht të përpunuara të kapsuluara (ushqime që nuk ngrihen).
7	Ngrica	-2 - +3	Mishi i dërrit i freskët/ i ngrirë, viçi, pula, produkte ujore të ujërave të ëmbla, etj. (7 ditë nën 0°C dhe nëse janë mbi 0°C rekomandohet të konsumohen brenda të njëjtës ditë, mundësisht jo më shumë se pas 2 ditësh). Ushqimi i detit (në më pak se 0 për 15 ditë, nuk rekomandohet të ruhet mbi 0°C).
8	Ushqimi i freskët	0 - +4	Mish derri i freskët, viçi, peshku, pule, ushqim i gatuar, etj. (Rekomandohet të konsumohet brenda të njëjtës ditë, mundësisht jo më shumë se pas 3 ditësh)
9	Vera	+5 - +20	Verë e kuqe, verë e bardhë, verë e gazuar etj.

## KUIJDES

ju lutemi ruajini ushqimet e ndryshme sipas ndarjeve ose temperaturës së synuar të ruajtjes të materialit të blerë

# PASTRIMI DHE MIRËMBAJTJA

## Pastrimi i përgjithshëm

- Pluhurat në pjesën e pasme të frigoriferit dhe në tokë duhet të pastrohen në kohë për të përmirësuar efektin ftohës dhe kursimin e energjisë.
- Kontrolloni rregullisht gominën e derës për t'u siguruar që nuk ka mbeturina. Pastroni rondelën e derës me një leckë të butë të lagur me ujë me sapun ose detergjent të holluar.
- Pjesa e brendshme e frigoriferit duhet të pastrohet rregullisht për të shmangur erën e keqe.
- Ju lutemi stakojeni energjinë përpara se të pastroni pjesën e brendshme, hiqini nga aty të gjitha ushqimet, pijet, raftet, sirtarët, etj.
- Përdorni një leckë të butë ose sfungjer për të pastruar pjesën e brendshme të frigoriferit, me dy lugë sodë buke dhe një litër ujë të ngrohtë. Pastaj shpërlaje me ujë dhe pecetë të pastër. Pas pastrimit, hapni derën dhe lëreni të thahet natyrshëm përpara se të ndizni energjinë elektrike.
- Për zonat që janë të vështira për t'u pastruar në frigorifer (si ngushtica, boshllëqe ose qoshe), rekomandohet t'i fshini rregullisht me një leckë të butë, furçë të butë etj. dhe kur të jetë e nevojshme të kombinohen me disa mjete ndihmëse (si p.sh. shkopinj të hollë) për t'u siguruar që të mos grumbullohen ndotës ose baktere në këto zona.
- Mos përdorni sapun, detergjent, pluhur pastrimi, pastrues me spërkatje, etj., pasi këto mund të shkaktojnë erëra të pakëndshme në brendësi të frigoriferit ose të kontaminojnë ushqimet.
- Pastrojini vendin e vendosjes së shisheve, raftet dhe sirtarët me një leckë të butë të lagur me ujë me sapun ose detergjent të holluar. Thajeni me një leckë të butë ose thajeni natyrshëm.
- Fshijeni sipërfaqen e jashtme të frigoriferit me një leckë të butë të lagur me ujë me sapun, detergjent etj., dhe më pas fshijeni me leckë të thatë.
- Mos përdorni furça të forta, topa çeliku të pastër, furça teli, materiale gërryese (si pasta dhëmbësh), tretës organikë (si alkool, acetoni, vaj bananeje, etj.), ujë të vluar, materiale acide ose alkaline, të cilat mund t'a dëmtojnë sipërfaqen e frigoriferit dhe të brendshme. Uji i vluar dhe tretësit organikë si benzina mund të deformojnë ose dëmtojnë pjesët plastike.
- Mos e shpëlani pajisjen direkt me ujë ose lëngje të tjera gjatë pastrimit për të shmangur qarqet e shkurtra ose për të ndikuar në izolimin elektrik pas zhytjes në ujë.

## VINI RE

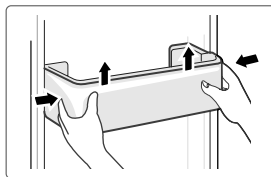
Ju lutemi shkëputni frigoriferin për shkrimje dhe pastrim.

## Shkrimja

- Frigoriferi është ndërtuar në bazë të parimit të ftohjes së ajrit dhe për rrjedhojë përmban funksionin e shkrimjes automatike. Ngricat e formuara për shkak të ndryshimit të stinës ose temperaturës mund të hiqen manualisht me shkëputjen e pajisjes nga furnizimi me energji elektrike ose duke fshirë me një peshqir të thatë.

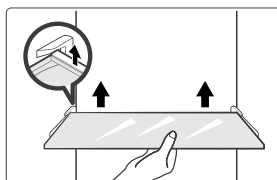
## Pastrimi i koshit të derës

- Në bazë të shigjetës së drejtimit në figurën më poshtë, përdorni të dyja duart për të shtrydhur tabakanë dhe shtyjeni lart, e më pas mund ta nxirni jashtë.
- Pas larjes së tabakasë, mund të rregulloni lartësinë e saj të vendosjes sipas nevojave tuaja.



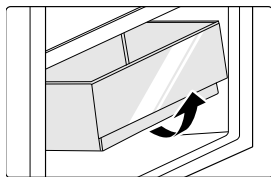
## Pastrimi i koshit të derës

- Duke qenë se pjesa më e brendshme e veshjes së frigoriferit, ku ndodhet pika e kontaktit me raftet përmban një ndalesë, ju duhet t'i ngrini raftet lart, e vetëm atëherë mund të jeni në gjendje ta hiqni atë.
- Rregullojini ose pastrojini raftet sipas nevojës suaj.



## Pastrimi i sirtarit të perimeve

1. Nxirreni përmbajtjen nga sirtari. Kapeni dorezën e sirtarit të perimeve dhe tërhiqeni plotësisht derisa të ndalojë.
2. Ngrijeni sirtarin e perimeve dhe hiqeni duke e nxjerrë jashtë.



## Jashtë funksioni

### Dështimi i energjisë:

Në rast të ndërprerjes së energjisë, edhe nëse është gjatë verës, ushqimet brenda pajisjes mund të mbahen për disa orë; gjatë ndërprerjes së energjisë, koha e hapjes së dyerve duhet të zvogëlohet dhe nuk duhet të futen më ushqime të freskëta në pajisje.

### Mos përdorim për kohë të gjatë:

Pajisja duhet të shkëputet dhe të pastrohet; atëherë dyert lihen të hapura për të parandaluar erën.

### Lëvizja:

Para se frigoriferi të zhvendoset, hiqni të gjitha objektet brenda, rregulloni ndarjet e qelqit, mbajtësin e perimeve, sirtarët e dhomës së ngrirjes etj., Dhe shtrëngoni këmbët e rrafshimit; mbyllni dyert dhe rregulloni ato me shirit. Gjatë lëvizjes, pajisja nuk duhet të vendoset kokë poshtë ose horizontalisht, ose të lëkundet; pjerrtësia gjatë lëvizjes nuk duhet të jetë më shumë se 45 °.

### ●KUJDES

Pajisja do të funksionojë vazhdimisht pasi të fillojë. Në përgjithësi, punimi i pajisjes nuk duhet të ndërpritet; përndryshe jetëgjatësia e periudhës së shërbimit mund të ndikohet.

# ZGJIDHJA E PROBLEMEVE

Problemet e thjeshta të mëposhtme mund të trajtohen nga vetë përdoruesi. Ju lutemi telefononi departamentin e shërbimit të klientit pas shitjes nëse problemet nuk zgjidhen.

Problemi	Arsyeja e mundshme
Dështimi i funksionimit	<ul style="list-style-type: none"><li>Kontrolloni nëse pajisja është e lidhur me energjinë elektrike ose nëse spina ka kontakt të mirë</li></ul>
	<ul style="list-style-type: none"><li>Kontrolloni nëse tensioni është shumë i ulët</li></ul>
	<ul style="list-style-type: none"><li>Kontrolloni nëse ka ndonjë ndërprerje të energjisë ose nëse qarqet e pjesshme janë të stakuara</li></ul>
Era	<ul style="list-style-type: none"><li>Ushqimet me erë duhet të mbështillen fort</li></ul>
	<ul style="list-style-type: none"><li>Kontrolloni nëse ka ndonjë ushqim të prishur brenda</li></ul>
	<ul style="list-style-type: none"><li>Pastrojeni pjesën e brendshme të frigoriferit</li></ul>
Funksionimi i gjatë i kompresorit	<ul style="list-style-type: none"><li>Punimi për një kohë të gjatë i frigoriferit është normal në verë kur temperatura e mjedisit është e lartë</li></ul>
	<ul style="list-style-type: none"><li>Nuk rekomandohet të mbani shumë ushqim në pajisje në të njëjtën kohë</li></ul>
	<ul style="list-style-type: none"><li>Ushqimi duhet të ftohet përpara se të futet në pajisje</li></ul>
	<ul style="list-style-type: none"><li>Dyert hapen shumë shpesh</li></ul>
Drita nuk arrin të ndizet	<ul style="list-style-type: none"><li>Kontrolloni nëse frigoriferi është i lidhur me burimin e energjisë elektrike dhe nëse drita ndriçuese është e dëmtuar</li></ul>
	<ul style="list-style-type: none"><li>Zëvendësojeni dritën nga një specialist</li></ul>
Dera nuk arrin të mbyllet siç duhet	<ul style="list-style-type: none"><li>Dera është bllokuar nga pako ushqimore</li></ul>
	<ul style="list-style-type: none"><li>Frigoriferi është i anuar.</li></ul>
Zhurmë e lartë	<ul style="list-style-type: none"><li>Kontrolloni nëse dyshemeja është e niveluar dhe nëse frigoriferi është i vendosur në tokë në mënyrë të qëndrueshme</li></ul>
	<ul style="list-style-type: none"><li>Kontrolloni nëse aksesorët janë vendosur në vendet e duhura</li></ul>

AL

Problemi	Arsyeja e mundshme
Ngjitësi i dverve nuk është i ngushtë	<ul style="list-style-type: none"> <li>• Hiqini lëndët e huaja në guarnicionin e derës</li> <li>• Ngrohni guarnicionin e derës dhe më pas ftohni atë për restaurim (fryjini me tharëse elektrike ose përdorni një peshqir të nxehtë për ngrohje)</li> </ul>
Uji i tejmbushjes së tiganit	<ul style="list-style-type: none"> <li>• Ka shumë ushqim në dhomën përkatëse ose ushqimi i ruajtur përmban shumë ujë, gjë që shkakton në shkrirje intensive</li> <li>• Dyert nuk mbyllen siç duhet, duke shkaktuar ngricë për shkak të depërtimit së ajrit dhe rritje të sasisë së ujit për shkak të shkrirjes</li> </ul>
Strehim i nxehtë	<ul style="list-style-type: none"> <li>• Shpërhapja e nxehtësisë së kondensatorit të integruar nëpërmjet kapakut, gjë që është normale. Kur banesa nxehet për shkak të temperaturës së lartë të mjedisit, ruajtjes së shumë ushqimeve ose bllokimit të kompresorit, siguroni një ventilim të përshtatshëm për të lehtësuar shpërhapjen e nxehtësisë</li> </ul>
Kondensimi sipërfaqësor	<ul style="list-style-type: none"> <li>• Kondensimi në sipërfaqen e jashtme dhe në guarnicionet e dverve të frigoriferit është diçka normale kur lagështia e ambientit është shumë e lartë. Thjesht pastroni kondensatën me një peshqir të pastër.</li> </ul>
Zhurma jonormale	<ul style="list-style-type: none"> <li>• Tringëllimë Kompresori mund të prodhojë gumëzhitje gjatë funksionimit, dhe gumëzhitë janë me zë të lartë veçanërisht kur fillon ose ndalet. Kjo është normale.</li> <li>• Kërcitje: Ftohësi që rrjedh brenda pajisjes mund të prodhojë rrjedhje, gjë që është normale.</li> </ul>



# Shtojcë

## I veçantë sipas standardit të ri evropian:

Pjesët e porositura në tabelën e mëposhtme mund të sigurohen përmes linjës së ofruesit të shërbimit

Pjesë e porositur	Siguar nga	Koha minimale e kërkuar për Provizion
Termostatet	Personeli i mirëmbajtjes profesionale	Të paktën 7 vjet pasi modeli i fundit është lëshuar në treg
Sensorë të temperaturës	Personeli i mirëmbajtjes profesionale	Të paktën 7 vjet pasi modeli i fundit është lëshuar në treg
Tabela të shtypura të qarkut	Personeli i mirëmbajtjes profesionale	Të paktën 7 vjet pasi modeli i fundit është lëshuar në treg
Burime drite	Personeli i mirëmbajtjes profesionale	Të paktën 7 vjet pasi modeli i fundit është lëshuar në treg
Dorezat e dyerve	Riparuesit profesionistë dhe përdoruesit përfundimtarë	Të paktën 7 vjet pasi modeli i fundit është lëshuar në treg
Nyjte e dyerve	Riparuesit profesionistë dhe përdoruesit përfundimtarë	Të paktën 7 vjet pasi modeli i fundit është lëshuar në treg
Tabaka	Riparuesit profesionistë dhe përdoruesit përfundimtarë	Të paktën 7 vjet pasi modeli i fundit është lëshuar në treg
Shportat	Riparuesit profesionistë dhe përdoruesit përfundimtarë	Të paktën 7 vjet pasi modeli i fundit është lëshuar në treg
Rondelat e dyerve	Riparuesit profesionistë dhe përdoruesit përfundimtarë	Të paktën 10 vjet pasi modeli i fundit është lëshuar në treg

## I dashur klient

1. Nëse dëshironi ta ktheni mbrapsht ose ta zëvendësoni produktin, ju lutemi kontaktoni dyqanin ku keni bërë blerjen.

(Mos harroni të sillni me vete faturën e blerjes)

2. Nëse produkti juaj prishet dhe ka nevojë për riparim, ju lutemi kontaktoni ofruesin e shërbimit pas shitjes.

## VINI RE

Informacioni rreth modelit në bazën e të dhënave të produktit, si dhe identifikuesi i modelit, mund të sigurohen përmes një lidhjeje në internet duke skanuar një kod QR, nëse ka, në etiketën e efikasitetit të energjisë të produktit.

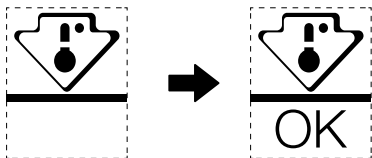
Për më shumë informacion rreth efikasitetit të energjetike të pajisjes, vizitoni faqen <https://ec.europa.eu> dhe bëjeni kërkimin duke përdorur emrin e modelit

Emri i modelit mund të gjendet në etiketën e klasës së pajisjes.

## Zona më e ftohtë në frigorifer

### OPSIONAL: Indikator i temperaturës-OK

- Treguesi i temperaturës OK mund të përdoret për të përcaktuar temperaturat nën +4°C. Ulni gradualisht temperaturën nëse shenja nuk tregon "OK".



- Për të siguruar temperaturën e duhur në këtë zonë, mos e ndryshoni pozicionin e raftit. Frigoriferë me ngrirje me ajër (të pajisur me ventilator ose modele No Frost (Pa ngricë)), simboli i zonës më të ftohtë nuk ekziston sepse temperatura në brendësi është kudo homogjene.

### Vendosja e treguesit të temperaturës

- Për t'ju ndihmuar ta konfiguroni siç duhet frigoriferin tuaj, ai është i pajisur me një tregues të temperaturës që do të monitorojë temperaturën mesatare në zonën më të ftohtë.
- PARALAJMËRIM: Ky tregues është ideuar të funksionojë vetëm me frigoriferin tuaj, mos e përdorni atë në ndonjë frigorifer tjetër (në fakt, zona më e ftohtë nuk është e njëjtë për të gjithë) ose për ndonjë përdorim tjetër.

### Kontrolli i temperaturës në zonën më të ftohtë

- Nëpërmjet treguesit të temperaturës, mund të kontrolloni rregullisht nëse temperatura e zonës më të ftohtë është e saktë. Në të vërtetë, temperatura e brendshme e frigoriferit varet nga disa faktorë si temperatura e mjedisit të dhomës, sasia e ushqimit të ruajtur dhe shpeshtësia e hapjes së derës. Merrini parasysh këta faktorë kur konfiguroni pajisjen.
- Kur treguesi tregon « OK », kjo do të thotë që termostati juaj është i rregulluar mirë dhe temperatura e brendshme është e saktë.
- Nëse treguesi i temperaturës bëhet I BARDHË, kjo do të thotë se temperatura është shumë e lartë; në këtë rast, rrisni cilësimin e kontrollit të temperaturës së frigoriferit dhe prisni 12 orë përpara se të kryeni një kontroll të ri vizual të treguesit. Kur në frigorifer futet ushqim i freskët ose dera është lënë e hapur, është e mundur që treguesi i temperaturës të bëhet i BARDHË pas njëfarë kohe.

## PODĚKOVÁNÍ

Děkujeme vám, že jste si zvolili značku Midea. Před použitím nového výrobku Midea si důkladně přečtěte tento návod, abyste se ujistili, že víte, jak bezpečně ovládat funkce, které váš nový spotřebič nabízí.

# OBSAH

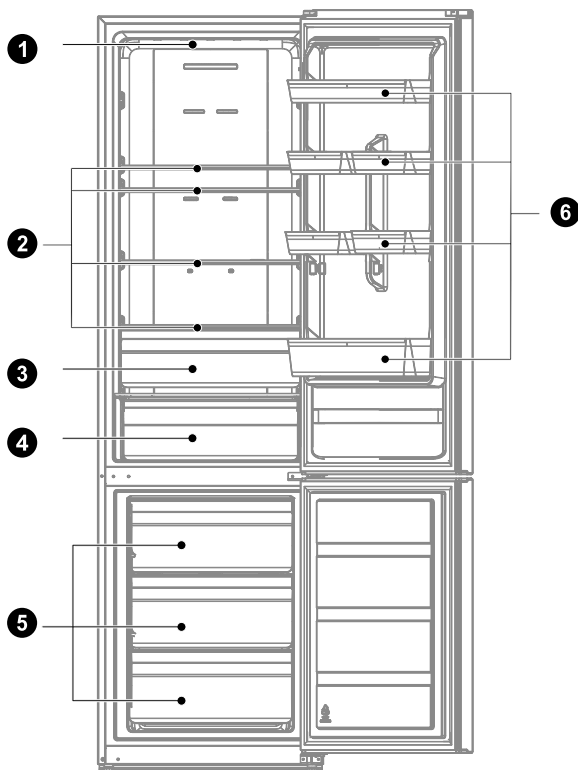
<b>PODĚKOVÁNÍ</b> -----	01
<b>TECHNICKÉ ÚDAJE</b> -----	02
<b>PŘEHLED VÝROBKU</b> -----	03
<b>MONTÁŽ VÝROBKU</b> -----	04
<b>POKYNY K OVLÁDÁNÍ</b> -----	12
<b>ČIŠTĚNÍ A ÚDRŽBA</b> -----	17
<b>ŘEŠENÍ PROBLÉMŮ</b> -----	19
<b>DODATEK</b> -----	21

# TECHNICKÉ ÚDAJE

<b>Model výrobku</b>	<b>MDRB489FGE</b>
Objem úložného prostoru pro čerstvé potraviny	247L
Objem úložného prostoru pro zmrazené potraviny	83L
Typ odmrazování	Automatické rozmrazování
Doba zvýšení teploty	8 h
Mrazicí kapacita	4 kg/24 hodin
Jmenovité napětí/frekvence	220-240V~/50Hz
Jmenovitý proud	0,7 A
Celkové rozměry (V × Š × H)	2010 x 595 x 635 mm

# PŘEHLED VÝROBKU

## Názvy součástí



- |   |                               |   |                               |
|---|-------------------------------|---|-------------------------------|
| 1 | Osvětlení LED                 | 4 | Zásuvka na chlazené potraviny |
| 2 | Police                        | 5 | Šuplík                        |
| 3 | Příhrádka na ovoce a zeleninu | 6 | Police dveří                  |

### UPOZORNĚNÍ

Výše uvedený obrázek slouží pouze pro referenci. Skutečná konfigurace bude záviset na fyzickém výrobku nebo prohlášení distributora.

# MONTÁŽ VÝROBKU

## Pokyny k montáži

### Pro chladicí zařízení s klimatickou třídou

- V závislosti na klimatické třídě je tento chladicí spotřebič určen k použití v rozmezí okolní teploty podle následující tabulky.
- Klimatickou třídu najdete na typovém štítku. Výrobek nemusí při teplotách mimo uvedený rozsah fungovat správně.
- Klimatickou třídu najdete na štítku výrobku.

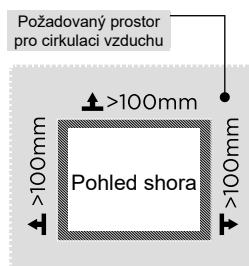
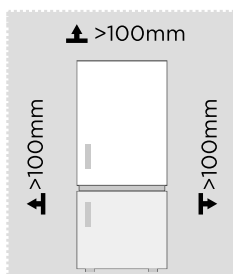
### Efektivní rozsah teplot

- Výrobek je navržen tak, aby normálně fungoval v teplotním rozsahu určeném jeho třídou.

Třída	Symbol	Rozsah okolní teploty °C	
		IEC 62552 (ISO 15502)	ISO 8561
Rozšířené mírné pásmo	SN	+10 až +32	+10 až +32
Mírné pásmo	N	+16 až +32	+16 až +32
Subtropické pásmo	ST	+16 až +38	+18 až +38
Tropické pásmo	T	+16 až +43	+18 až +43

### Rozměry a odstupy

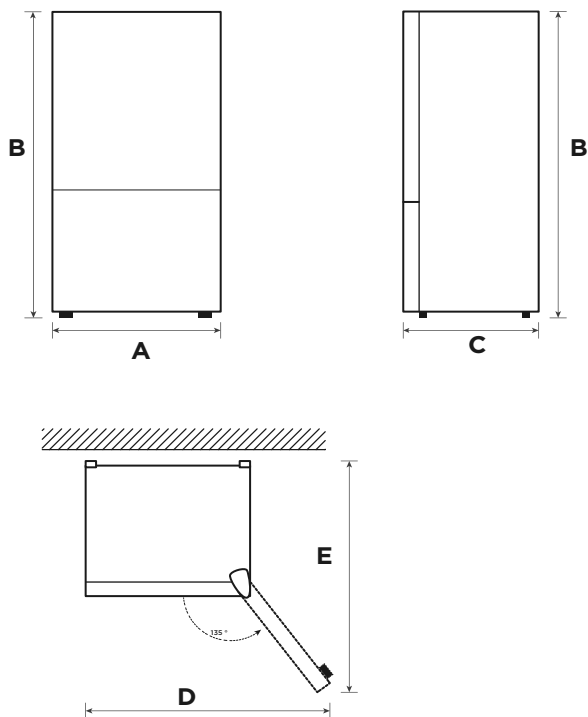
- Příliš malá vzdálenost od sousedních předmětů může vést ke zhoršení funkce mrazení a vyšším nákladům na elektrickou energii. Při montáži spotřebiče ponechte odstup od všech sousedních stěn více než 100 mm.



### UPOZORNĚNÍ

Výše uvedený obrázek slouží pouze pro referenci. Skutečná konfigurace bude záviset na fyzickém výrobku nebo prohlášení distributora.

Schéma požadavků na prostor (při otevřených a zavřených dveřích)



Šířka	Celková výška	Hloubka	Šířka při otevření dveří v úhlu 135°	Hloubka při otevření dveří v úhlu 135°
A	B	C	D	E
595	2010	635	1016	1186

Poznámka: Všechny rozměry jsou uvedeny v milimetrech.

## Změna z pravých dveří na levé (volitelné)

V závislosti na místě, kde plánujete chladničku používat, může být pohodlnější obrátit orientaci dveří.

### **VAROVÁNÍ**

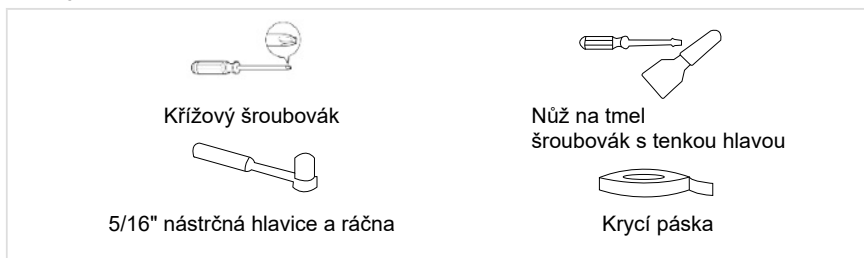
**VAROVÁNÍ:** Doporučujeme, aby vám během procesu obracení dveří někdo pomáhal, abyste zabránili zranění nebo poškození majetku.

Příprava na obrácení orientace dveří

Budete potřebovat: běžný šroubovák, křížový šroubovák a dodaný imbusový klíč.

- Zkontrolujte, zda je chladnička odpojena a zda je prázdná.
- Mějte někoho při ruce, aby vám během procesu pomohl.
- Všechny součásti, které sejmete, si ponechte, abyste je mohli později znovu využít.

### Nástroje potřebné ke změně orientace dveří:



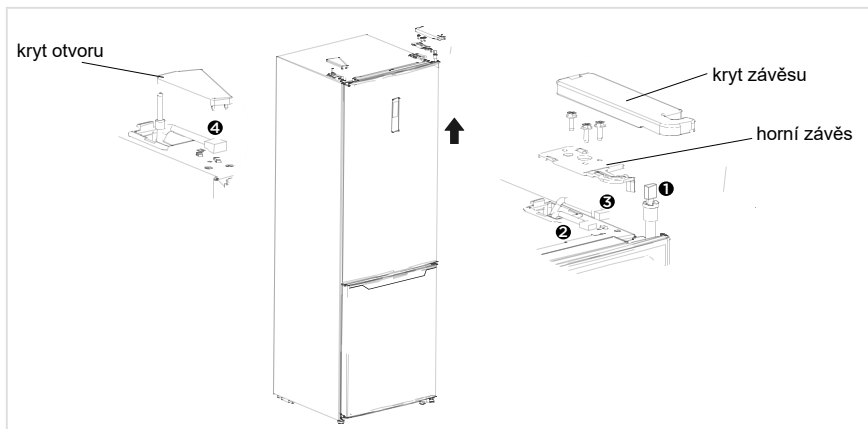
### Díly pro použití k obrácení dveří

SN	Název	Číslo	Poznámky
1	Pouzdro hřídele	1	Předmontovaný na chladničce a použije se při výměně dveří
2	Šroub horního závěsu	1	
3	Pravá zarážka	1	Předinstalovaný na chladničce. Po otočení dveří se sejme a uschová pro budoucí použití
4	Sestava krytu závěsu	1	
5	Pilířový spínač	1	Předmontovaný na chladničce a použije se při výměně dveří
6	Kryt pravého závěsu	1	Předinstalovaný na chladničce. Po otočení dveří se sejme a uschová pro budoucí použití
7	Pravý horní závěs	1	
8	Nastavitelná nožka	1	Předmontovaný na chladničce a použije se při výměně dveří
9	Balíček příslušenství	3	Levé horní závěs/kryt levého horního závěsu/levé zarážka
10	Sestava spodního závěsu	1	
11	Šroub spodního závěsu	2	Předmontovaný na chladničce a použije se při výměně dveří
12	Koncová krycí destička	1	
13	Kryt otvoru	1	

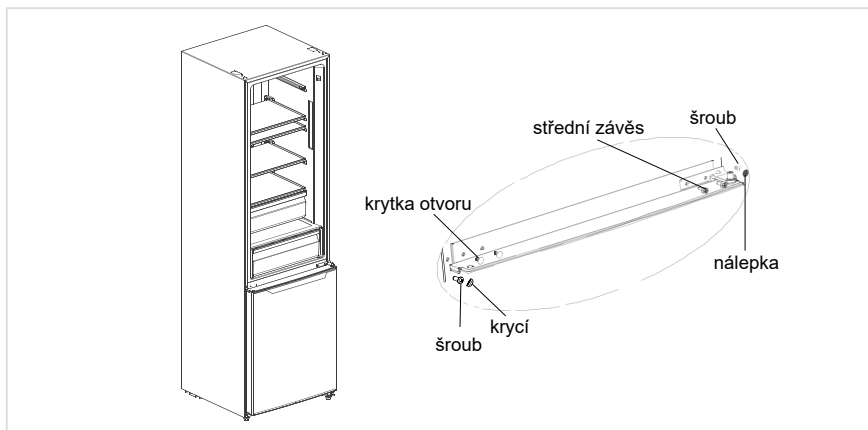


## Postup:

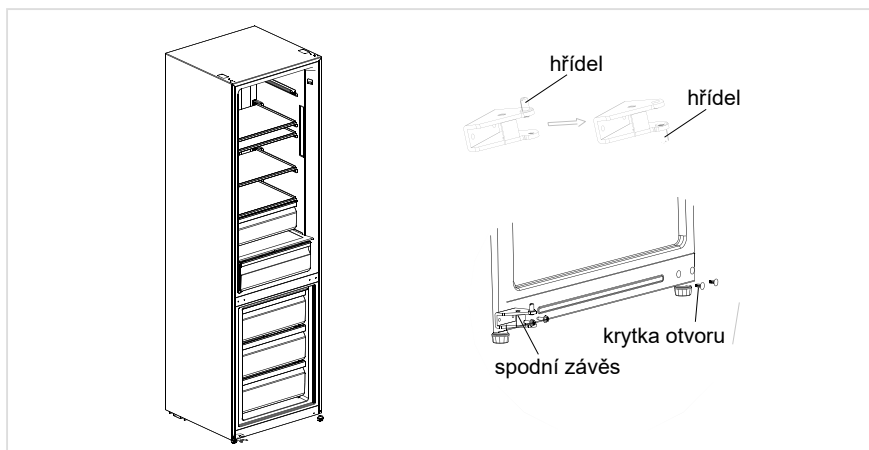
1. Před provedením této operace vypněte tento spotřebič. Vyjměte všechny potraviny z polic ve Upevněte dveře. Připevněte dveře páskami.
2. Demontujte kryt horního závěsu, šrouby a horní závěs a odstraňte kryt otvoru z druhé strany. Odpojte konektor kabeláže na pravé straně horní části mrazničky (konektor kabeláže ❶, ❸).



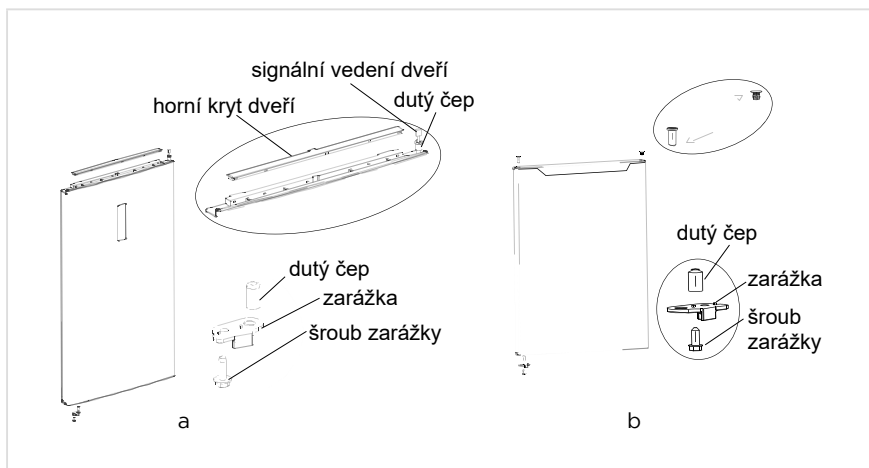
3. Sundejte dveře chladicího prostoru a stejně tak šrouby, přišroubujte kryt, nálepku a střední závěs, krytku otvoru.



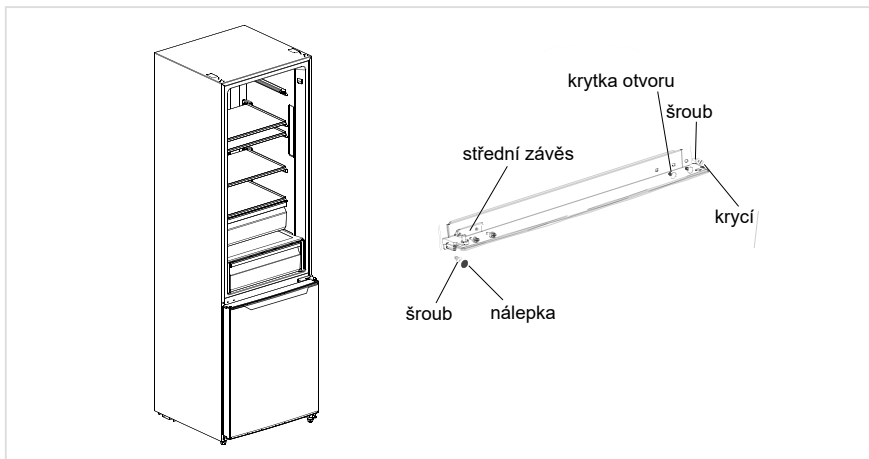
4. Sundejte dveře mrazícího prostoru, demontujte spodní závěs, krytky otvorů. Nainstalujte hřídel spodního závěsu na druhou stranu a nainstalujte spodní závěs na druhou stranu spodního nosníku.



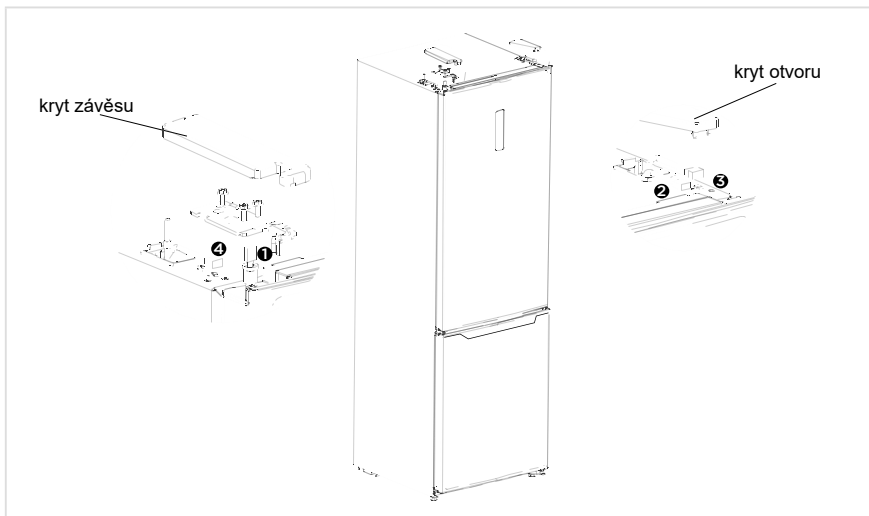
5. a) Odstraňte horní kryt dveří chladicího prostoru, namontujte objímku horního závěsu a signální vedení dveří na druhou stranu a namontujte horní kryt dveří. Demontujte zarážku a dutý čep z pravého dna dveří mrazícího prostoru, vyjměte další náhradní zarážku (pro oboustranné dveře) a namontujte dutý čep a náhradní zarážku na levou spodní stranu dveří, šroubem namontujte objímku horního závěsu, signální vedení dveří na druhou stranu a nainstalujte horní kryt dveří.
- b) Demontujte zarážku a dutý čep z pravé spodní části dveří mrazícího prostoru, vyjměte další náhradní zarážku (pro oboustranné dveře) a šroubem namontujte dutý čep a náhradní zarážku na levou spodní stranu dveří. Sundejte dutý čep a krytky otvorů na dveřích mrazícího prostoru a namontujte je na druhou stranu.



6. Nasadte dveře mrazničky na spodní závěs, namontujte střední závěs, krytky otvorů, krytku šroubu a nálepku.



7. Z balíčku s příslušenstvím vyjměte levý horní závěs a kryt levého horního závěsu. Umístěte dveře chladničky na střední závěs, nainstalujte horní závěs. Připojte svorku signálního vedení ④ ke svorce signálního vedení ①, připojte svorku signálního vedení ② ke svorce signálního vedení ③; namontujte kryt horního závěsu a kryt otvoru.



CZ

### ● UPOZORNĚNÍ

Výše uvedený obrázek slouží pouze pro referenci. Skutečná konfigurace bude záviset na fyzickém výrobku nebo prohlášení distributora.

## Umístění

- Před použitím vyjměte veškerý obalový materiál včetně spodních vycpávek, pěnových destiček a pásek ve vnitřním prostoru chladničky. Sloupněte ochrannou fólii na dveřích a konstrukci chladničky.
- Umístěte spotřebič mimo dosah tepla a přímého slunečního záření. Neumístujte mrazničku do vlhkých nebo mokrych míst, abyste zabránili korozi nebo snížení izolačního efektu.
- Na chladničku nestříkejte vodu ani ji neomývejte; nedávejte chladničku na vlhká místa, kde by mohla být snadno postříkána vodou, mohlo by to negativně ovlivnit elektrické izolační vlastnosti chladničky.
- Chladicí box je umístěn na dobře větraném místě v interiéru; plocha musí být rovná a pevná (otáčením doleva nebo doprava upravte vyrovnávací nožku, pokud je výrobek nestabilní).



## Vyrovňovací nožičky

Spotřebič musí být vyrovnán, aby se zabránilo vibracím.

Je-li to nutné, nastavte vyrovnávací nožičky, aby vykompenzovaly nerovnou podlahu.

Jako pomoc k zavírání dveří by měla být přední část spotřebiče mírně výš než zadní část.

Vyrovňovacími šrouby lze snadno otáčet, když spotřebič mírně nakloníte.

Otáčením vyrovnávacími šrouby proti směru hodinových ručiček  spotřebič zvednete, otáčením ve směru hodinových ručiček  jej snížíte.

## Přesunování spotřebiče

1. Vyjměte z vnitřku spotřebiče veškeré potraviny.
2. Vytáhněte napájecí zástrčku, vložte ji na háček napájecí zástrčky na zadní nebo horní části spotřebiče a zástrčku připevněte.
3. Přilepte lepicí páskou díly, jako jsou police a madlo dveří, abyste zabránili jejich vypadnutí během přesunování spotřebiče.
4. Spotřebič opatrně přesunujte ve více než dvou lidech. Přepravujete-li spotřebič na delší vzdálenost, udržujte jej ve svislé poloze.
5. Jakmile bude spotřebič namontován na místě, připojte napájecí zástrčku do zásuvky, a spotřebič tak zapněte.

### UPOZORNĚNÍ

Bezpečnostní opatření před uvedením do provozu:

Před prováděním změn musí být chladnička odpojena od napájení. Je třeba přijmout opatření, aby nedošlo ke zranění osob.

## Výměna žárovky

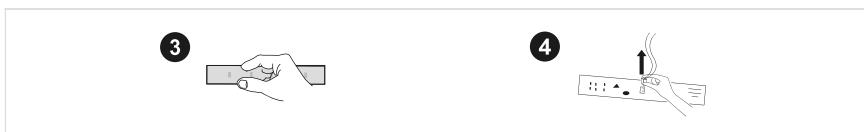
- Veškerou výměnu nebo údržbu žárovek LED by měl provádět výrobce, jeho servisní zástupce nebo podobně kvalifikovaná osoba. Tento výrobek obsahuje světelný zdroj třídy energetické <F>.

### Postup

1. Před vyjmutím vytáhněte zástrčku.
2. Pomocí šroubováku sejměte stínidlo světla.



3. Demontujte panel světla.
4. Sejměte připojovací svorku.



## Připojení spotřebiče

Před prvním spuštěním nechte lednici dvě hodiny stát, než ji připojíte k napájení.

### UPOZORNĚNÍ

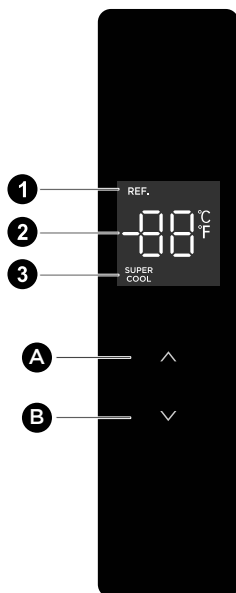
Než dovnitř vložíte jakékoli čerstvé nebo mražené potraviny, měla by chladnička běžet 2–3 hodiny nebo i více než 4 hodiny v létě, kdy je okolní teplota vysoká.

## Tipy pro úsporu energie

- Spotřebič by měl být umístěn v nejchladnějším místě místnosti, mimo dosah spotřebičů produkujících teplo a topných potrubí i mimo dosah přímého slunečního záření.
- Nevkládejte do spotřebiče horké potraviny – nechte je před vložením vychladnout na pokojovou teplotu. Přetěžování spotřebiče by vedlo k delšímu spuštění kompresoru. Potraviny, které by se zmrazovaly příliš pomalu, by mohly snížit svou kvalitu nebo se znehodnotit.
- Potraviny je nutné řádně zabalit a nádoby dosucha otřít, než je do spotřebiče vložíte. Omezíte tím vznik námrazy ve vnitřním prostoru spotřebiče.
- Zásuvka spotřebiče pro uchovávání potravin by neměla být obalena hliníkovou fólií, voskovaným papírem ani papírovými ručníky. Obaly narušují cirkulaci chladného vzduchu a spotřebič je pak méně účinný.
- Uspořádejte si potraviny a označte je tak, abyste zkrátili dobu otevření dveří a zamezili dlouhému hledání. Vyjměte najednou co nejvíce potravin a co nejdříve zavřete dveře.

# POKYNY K OVLÁDÁNÍ

## Ovládací panel



### UPOZORNĚNÍ

Výše uvedený obrázek slouží pouze pro referenci. Skutečná konfigurace bude záviset na fyzickém výrobku nebo prohlášení distributora.

### Tlačítko

- |          |                          |
|----------|--------------------------|
| <b>A</b> | Tlačítko zvýšení teploty |
| <b>B</b> | Tlačítko snížení teploty |

### Displej

- |          |                         |
|----------|-------------------------|
| <b>1</b> | Ikona chlazení          |
| <b>2</b> | Ikona zobrazení teploty |
| <b>3</b> | Ikona superchlazení     |

CZ

## Displej

- Při prvním zapnutí chladničky se na dobu 3 sekund rozsvítí celý panel displeje. Panel displeje poté přejde do normálního zobrazení. Rozsvítí se kontrolka displeje otevřených dveří; Když se dveře zavřou, podsvícení displeje zhasne. Při prvním použití chladničky jsou výchozí nastavené teploty chladicího prostoru na hodnotě 5 °C.
- Dojde-li k chybě, panelu displeje zobrazí chybový kód. Jinak se na displeji zobrazí nastavená teplota.

## Nastavení teploty

- Stisknutím tlačítka zvýšení teploty „Λ” můžete upravit teplotu, každým kliknutím na tlačítko zvýšení teploty „Λ” bude nastavená teplota zvýšena o 1°C; Stisknutím tlačítka snížení teploty „∨” můžete upravit teplotu, každým kliknutím na tlačítko pro snížení teploty „∨” bude nastavená teplota snížena o 1 °C; Rozsah nastavení teploty chladicího prostoru je 2~8°C. Když bude teplota nastavena na hraniční hodnotu, chladnička vydá zvukový signál, pokud bylo stále stisknuto tlačítko pro zvýšení teploty „Λ” nebo bylo tlačítko pro zvýšení teploty „∨” stále stisknuto.

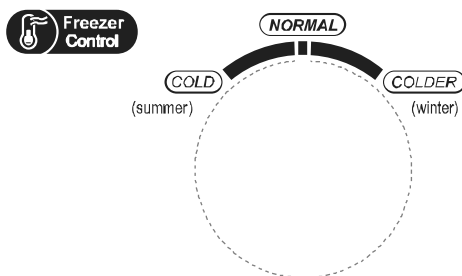
## Nastavení režimu

- Nastavení režimu superchlazení: po nastavení teploty v chladicím prostoru na 2 °C stiskněte tlačítko pro snížení teploty „∨”, čímž přejdete do režimu superchlazení. V režimu superchlazení se teplota chladicí komory automaticky nastaví na 2 °C.
- Ukončení režimu superchlazení: stisknutím tlačítka zvýšení teploty „Λ” ukončíte režim superchlazení nebo se režim superchlazení automaticky ukončí po 6 hodinách. Po ukončení režimu superchlazení se teplota chladničky automaticky vrátí na teplotu nastavenou před režimem superchlazení.

## Kontrola alarmu otevření

- Pokud dveře do dvou minut nezavřete, bude znít bzučák, dokud nebudou dveře zavřeny. Stisknutím jakéhokoliv tlačítka alarm bzučáku zastavíte.

## Úprava teploty může opustit režim rychlého chlazení



## Regulátor teploty mrazicího prostoru

- V poloze „COLDER“ je teplota mražení relativně nízká, zatímco v poloze „COLD“ je teplota mražení relativně vysoká, proto je obvykle používána poloha „NORMAL“.
- Když je teplota prostředí v létě vysoká, teplota se má pohybovat v rozmezí od „NORMAL“ do „COLD“. Je-li teplota prostředí nad 35°C, potom by měla převládat poloha „COLD“.
- Když je teplota prostředí v zimě nízká, teplota se má pohybovat v rozmezí od „NORMAL“ do „COLDER“. Je-li teplota prostředí pod 10°C, potom by měla převládat poloha „COLDER“.

## Varování při otevření a ovládání alarmu

- Při otevření dveří chladničky bude hrát hudba. Pokud dveře chladničky do dvou minut nezavřete, bude bzučák stále bzučet, dokud se dveře nezavřou. Stisknutím jakéhokoliv tlačítka alarm bzučáku zastavíte.

## Indikace chyb

- Následující výstrahy zobrazené na displeji indikují odpovídající závady chladničky.
- Přestože s následujícími závadami může funkce chladničky skladování v chladu stále fungovat, uživatel by měl kontaktovat specialistu na údržbu a požádat jej o ni, aby byl zajištěn optimální provoz spotřebiče.

Kód chyby	Popis závady
E1	Závada teplotního senzoru chladicího oddílu
E2	Závada teplotního senzoru mrazicího oddílu
E3	Závada teplotního senzoru zásuvky na chlazené potraviny
E5	Chyba v okruhu detekce senzoru mražení a odmrazování
E6	Chyba komunikace
E7	Chyba senzoru okolní teploty



## Chladicí oddíl

- Chladicí prostor je vhodný pro skladování celé řady ovoce, zeleniny, nápojů a jiných potravin s krátkou dobou spotřeby. Doporučená doba skladování je 3 až 5 dní.
- Vařené potraviny by měly být do chladicího oddílu vloženy až po zchladnutí na pokojovou teplotu.
- Před vložením potravin do chladničky se doporučuje, aby byly utěsněny.
- Skleněné police lze nastavit nahoru nebo dolů pro přiměřené množství úložného prostoru a snadné používání.

## Mrazicí oddíl

- V mrazicím prostoru s nízkou teplotou lze uchovávat potraviny čerstvé po delší dobu. Prostor se využívá především ke skladování mražených potravin a ke tvorbě ledu.
- Mrazicí prostor je vhodný ke skladování masa, ryb, rýžových kuliček a jiných potravin, které se nezkonsumují během krátké lhůty.
- Kusy masa je lepší rozdělit na menší porce, aby se rychleji zmrazily a byl k nim snadný přístup. Upozorňujeme, že potraviny je nutné zkonsumovat do doby použitelnosti.

## Zásuvka na chlazené potraviny

- Vhodné pro krátkou dobu (1–3 dny) ke konzumaci čerstvých ryb, čerstvého masa, čerstvých potravin atd.
- Poblíž zadní a spodní části zásuvky mohou být potraviny zmrazené, neměli byste vkládat potraviny, které nesmí být zmrazeny.
- Doporučuje se klasifikace potravin a sáčky s těsněním.

## UPOZORNĚNÍ

Poznámka: Pokud byste do chladničky vložili po připojení k napájení během provozu příliš mnoho potravin, mohl by být nepříznivě ovlivněn mrazicí účinek.

Pořadí	Typ prostoru	Cílová skladovací teplota [°C]	Příslušná potravina
1	Chladnička	+2 ~ +8	Vejce, vařené potraviny, balené potraviny, ovoce a zelenina, mléčné výrobky, dorty, nápoje a další potraviny, které nejsou vhodné k mrazení.
2	(***)*-Mraznička	≤-18	Výrobky z mořských živočichů (ryby, krevety, korýši), výrobky ze sladkovodních živočichů a masné výrobky (doporučuje se uchovávat po dobu 3 měsíců; čím delší je doba, tím horší je chuť a nutriční hodnoty), vhodné pro mražené čerstvé potraviny.
3	***-Mraznička	≤-18	Výrobky z mořských živočichů (ryby, krevety, korýši), výrobky ze sladkovodních živočichů a masné výrobky (doporučuje se uchovávat po dobu 3 měsíců; čím delší je doba, tím horší je chuť a nutriční hodnoty), vhodné pro mražené čerstvé potraviny.
4	** -Mraznička	≤-12	Výrobky z mořských živočichů (ryby, krevety, korýši), výrobky ze sladkovodních živočichů a masné výrobky (doporučuje se uchovávat po dobu 3 měsíců; čím delší je doba, tím horší je chuť a nutriční hodnoty), vhodné pro mražené čerstvé potraviny.
5	*-Mraznička	≤-6	Výrobky z mořských živočichů (ryby, krevety, korýši), výrobky ze sladkovodních živočichů a masné výrobky (doporučuje se uchovávat po dobu 3 měsíců; čím delší je doba, tím horší je chuť a nutriční hodnoty), vhodné pro mražené čerstvé potraviny.
6	0 hvězdiček	-6 ~ 0	Čerstvé vepřové, hovězí, ryby, kuřecí, některé balené zpracované potraviny atd. (doporučuje se je zkonzumovat ve stejný den, nejlépe do maximálně 3 dnů). Částečně balené zpracované potraviny (potraviny, které nejsou určeny k mrazení).
7	Zchlazovací prostor	-2 ~ +3	Čerstvé/mražené vepřové, hovězí a kuřecí maso, výrobky ze sladkovodních ryb atd. (pod 0 °C mohou být potraviny uchovávány po 7 dnů, nad 0 °C se doporučuje potraviny zkonzumovat ve stejný den, nejlépe do maximálně 2 dnů), plody moře (pod 0 °C po dobu 15 dnů, nedoporučuje se skladovat při teplotě nad 0 °C).
8	Čerstvé potraviny	0 ~ +4	Čerstvé vepřové, hovězí, ryby, kuřecí, vařené potraviny atd. (doporučuje se je zkonzumovat ve stejný den, nejlépe do maximálně 3 dnů).
9	Víno	+5 ~ +20	Červené víno, bílé víno, šumivé víno atd.

## UPOZORNĚNÍ

Skladujte různé druhy potravin v jim příslušných prostorech nebo podle cílové skladovací teploty zakoupených výrobků.

# ČIŠTĚNÍ A ÚDRŽBA

## Celkové čištění

- Prach za chladničkou a na podlaze by měl být včas uklízen, aby se zlepšila účinnost chlazení a úspora energie.
- Pravidelně kontrolujte těsnění dveří, abyste se ujistili, že v něm nejsou nečistoty. Těsnění dveří čistěte pomocí měkkého hadříku navlhčeného ve vodě se saponátem nebo v naředěném čisticím prostředku.
- Vnitřní prostor chladničky je třeba pravidelně čistit, aby se zabránilo zápachu.
- Před čištěním vnitřního prostoru odpojte napájení, vyjměte potraviny, nápoje, police, šuplíky atd.
- Vyčistěte vnitřní prostor pomocí měkkého hadříku nebo houbičky a roztoku dvou polévkových lžic jedlé sody a přibližně jednoho litru teplé vody. Poté opláchněte vodou a otřete. Než připojíte napájení, otevřete po vyčištění dvířka a vnitřek nechte přirozeně uschnout.
- U oblastí, které se v chladničce obtížně čistí (jako jsou mezery nebo rohy), doporučujeme jejich pravidelné otírání měkkým hadříkem, měkkým kartáčem atd. V případě potřeby je zkombinujte s některými pomocnými nástroji (jako jsou tenké tyčinky), aby v těchto oblastech nedocházelo k hromadění kontaminantů nebo bakterií.
- Nepoužívejte saponát, čisticí prostředek, abrazivní prášek, čistič ve spreji atd., protože by mohly ve vnitřním prostoru chladničky způsobit zápach nebo kontaminaci potravin.
- Držák na lahve, police a zásuvky čistěte pomocí měkkého hadříku navlhčeného ve vodě se saponátem nebo v naředěném čisticím prostředku. Vysušte povrch měkkým hadříkem nebo jej nechte přirozeně oschnout.
- Vnější povrch chladničky otřete měkkým hadříkem navlhčeným ve vodě se saponátem, čisticím prostředkem atd. a poté jej osušte dosucha.
- K čištění povrchu a vnitřního prostoru chladničky nepoužívejte tvrdé kartáče, kovové drátěnky, drátěné kartáče, abrazivní látky (například zubní pasty), organická rozpouštědla (například alkohol, aceton, izoamylacetát atd.), vařící vodu, kyseliny ani alkalické látky, které by je mohly poškodit. Horká voda a organická rozpouštědla, jako je benzen, mohou způsobit deformaci nebo poškození plastových dílů.
- Během čištění neoplachujte přímo vodou ani jinými tekutinami, abyste předešli zkratům nebo nepoškodili elektrickou izolaci.

## UPOZORNĚNÍ

Před odmrazováním a čištěním chladničku odpojte.

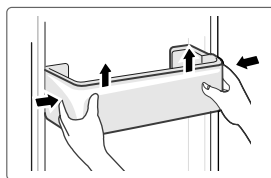
CZ

## Odmrazování

- Chladnička je založena na principu chlazení vzduchem, má proto funkci automatického odmrazování. Námrazu, která se tvoří se změnou ročního období nebo teploty, lze odstranit také ručně odpojením spotřebiče od napájení nebo otřením suchou utěrkou.

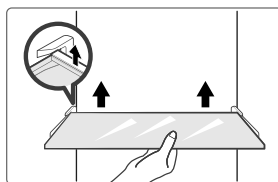
## Čištění přihrádky ve dveřích

- Podle směru šipek na níže uvedeném obrázku stiskněte oběma rukama zásuvku, vytačte ji nahoru a pak ji vyjměte.
- Po omytí vytažené zásuvky můžete při zpětném vkládání nastavit výšku jejího umístění podle svých požadavků.



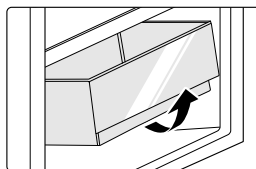
## Čištění skleněné police

- V části obložení chladničky nejvíce vzadu, kde má police zarážku, nadzvedněte polici směrem nahoru a poté ji budete moci vytáhnout.
- Podle požadavků police nastavte nebo vyčistěte.



## Čištění zásuvky na zeleninu

1. Vyjměte obsah zásuvky. Uchopte madlo zásuvky na zeleninu a zcela jej vytáhněte, dokud se nezastaví.
2. Zvedněte zásuvku na zeleninu nahoru a vytažením ji vyjměte.



## Mimo provoz

### Výpadek napájení:

Při výpadku napájení, a to dokonce i v létě, lze potraviny uvnitř spotřebiče uchovávat po několik hodin. Během výpadku napájení je nutné snížit četnost otevírání dveří a nevkládat do spotřebiče žádné další čerstvé potraviny.

### Dlouhodobé nepoužívání:

Spotřebič je nutné odpojit od napájení a poté vyčistit. Dveře nechte otevřené, abyste zabránili vzniku zápachu.

### Přemísťování:

Než budete chladničku přesunovat, vyjměte všechny předměty, upevněte páskou skleněné části, držák na zeleninu, šuplíky mrazicího oddílu atd. Pak utáhněte vyrovnávací nožičky, zavřete dveře a připevněte je pomocí pásky. Během přemísťování se spotřebič nesmí otočit vzhůru nohama ani do horizontální polohy ani nesmí být vystaven vibracím. Naklonění během přesunování nesmí přesáhnout 45°.

### UPOZORNĚNÍ

Po spuštění by měl být spotřebič v nepřetržitém chodu. Obecně by neměl být provoz spotřebiče přerušován. V opačném případě by mohla být ovlivněna jeho životnost.

# ŘEŠENÍ PROBLÉMŮ

Uživatel může vyřešit následující jednoduché problémy. Pokud se problémy nepodaří vyřešit, zavolejte na prodejný servisní oddělení.

Problém	Možná příčina
Spotřebič nelze uvést do provozu.	• Zkontrolujte, zda je spotřebič připojený k napájení a zda je zástrčka řádně zasunuta.
	• Zkontrolujte, zda není napětí příliš nízké.
	• Zkontrolujte, zda nedošlo k výpadku napájení nebo vynechávání některého okruhu.
Dochází k zápachu	• Aromatické potraviny je nutné těsně zabalit.
	• Zkontrolujte, zda není nějaká potravina zkažená.
	• Vyčistěte vnitřní prostor chladničky.
Kompresor je spuštěn dlouho	• Dlouhé spuštění kompresoru je normální v létě, nebo když je okolní teplota příliš vysoká.
	• Nedoporučuje se vkládat do spotřebiče příliš mnoho potravin najednou.
	• Než se potraviny do spotřebiče vloží, je nutné je zchladit.
Světlo nesvíí	• Neotevírejte dveře příliš často.
	• Zkontrolujte, zda je chladnička připojena k napájení a zda není světlo poškozeno.
	• Nechte žárovku vyměnit specialistou.
Dveře nelze dostatečně zavřít.	• Dveře jsou zaseknuté o balíčky s jídlem.
	• Chladnička je nakloněna.
Jsou slyšet hlasité zvuky.	• Zkontrolujte, zda je podlaha rovná a zda je chladnička umístěna stabilně.
	• Zkontrolujte, zda je veškeré příslušenství na správném místě.

Problém	Možná příčina
Těsnění dveří nepřiléhá.	<ul style="list-style-type: none"> <li>• Sejměte z těsnění dveří cizí nečistoty.</li> <li>• Zahřejte těsnění dveří a poté jej opět zchladte, aby se vrátilo do původního tvaru (například jej vyfoukejte elektrickým vysoušečem nebo k zahřátí použijte horký ručník).</li> </ul>
Nádobka na vodu přetéká.	<ul style="list-style-type: none"> <li>• V oddílu je příliš mnoho potravin nebo uskladněné potraviny obsahují příliš mnoho vody, což vede k silnému odmrazování.</li> <li>• Dveře nejsou řádně zavřeny, což vede k námraze kvůli přívodu vzduchu a většímu množství vody kvůli odmrazování.</li> </ul>
Plášť chladničky je horký	<ul style="list-style-type: none"> <li>• Dochází k odvodu tepla vestavěného kondenzátoru přes kryt, což je normální. Zahřívá-li se kryt v důsledku vysoké okolní teploty a skladování příliš velkého množství potravin nebo se vypne kompresor, zajistěte dobré větrání, aby se usnadnil odvod tepla.</li> </ul>
Na povrchu dochází ke kondenzaci	<ul style="list-style-type: none"> <li>• Kondenzace na vnějším povrchu a těsnění dveří chladničky je normální, když je okolní vlhkost příliš vysoká. Kondenzát stačí otřít čistým ručníkem.</li> </ul>
Dochází k abnormálnímu hluku	<ul style="list-style-type: none"> <li>• Bzučení: Kompresor může během provozu bzučet a toto bzučení je hlasité zejména při spouštění a zastavování. Jedná se o normální jev.</li> <li>• Skřípot: Chladivo proudící vnitřkem spotřebiče může produkovat skřípot, což je normální jev.</li> </ul>

# DODATEK

## Speciální poznámka pro novou evropskou normu

Díly k objednání v následující tabulce lze získat od poskytovatele servisu.

Díl k objednání	Kdo jej poskytuje	Minimální doba požadovaná k poskytování
Termostaty	Profesionální specialisté na údržbu	Nejméně 7 let od uvedení posledního modelu na trh
Teplotní senzory	Profesionální specialisté na údržbu	Nejméně 7 let od uvedení posledního modelu na trh
Desky plošných spojů	Profesionální specialisté na údržbu	Nejméně 7 let od uvedení posledního modelu na trh
Žárovky	Profesionální specialisté na údržbu	Nejméně 7 let od uvedení posledního modelu na trh
Madla dveří	Profesionální opraváři a koncoví uživatelé	Nejméně 7 let od uvedení posledního modelu na trh
Závěsy dveří	Profesionální opraváři a koncoví uživatelé	Nejméně 7 let od uvedení posledního modelu na trh
Zásuvky	Profesionální opraváři a koncoví uživatelé	Nejméně 7 let od uvedení posledního modelu na trh
Košé	Profesionální opraváři a koncoví uživatelé	Nejméně 7 let od uvedení posledního modelu na trh
Těsnění dveří	Profesionální opraváři a koncoví uživatelé	Nejméně 10 let od uvedení posledního modelu na trh

### Vážený zákazníku,

1. Pokud chcete výrobek vrátit nebo vyměnit, obraťte se na obchod, kde jste jej zakoupili.  
(Nezapomeňte přinést stvrzenku)
2. Pokud dojde k poruše výrobku a je vyžadována oprava, obraťte se na poskytovatele poprodejních služeb.

### UPOZORNĚNÍ

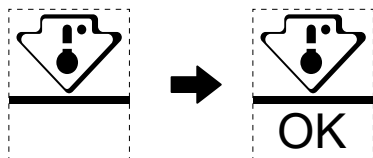
Informace o modelu v databázi výrobků lze stejně jako označení modelu získat prostřednictvím webového odkazu otevřeného naskenováním kódu QR na štítku energetické účinnosti výrobku (nachází-li se tam). Informace o energetické účinnosti spotřebiče jsou uvedeny na webu <https://ec.europa.eu>, kde je vyhledáte podle názvu modelu.

Název modelu lze nalézt na typovém štítku spotřebiče.

## Nejchladnější zóna chladničky

### VOLITELNÉ: Indikátor OK-teploty

- Indikátor OK-teploty lze použít k určení teplot pod +4 °C. Pokud není na značce uvedeno „OK“, snižujte postupně teplotu.



- K zajištění teploty tohoto prostoru neměňte umístění police. U chladniček s nuceným oběhem vzduchu (vybavených ventilátorem nebo beznárazových) není symbol nejchladnější zóny uveden, protože teplota uvnitř je homogenní.

### Nastavení indikátoru teploty

- Chladnička je vybavena indikátorem teploty, který monitoruje průměrnou teplotu nejchladnější zóny, aby vám to pomohlo chladničku dobře nastavit.
- VAROVÁNÍ:** Tento indikátor je určen k fungování pouze s touto chladničkou. Nepoužívejte jej v jiné chladničce (nejchladnější zóny se ve skutečnosti liší) ani k žádnému jinému použití.

### Kontrola teploty nejchladnější zóny

- Pomocí indikátoru teploty můžete pravidelně kontrolovat, že je teplota nejchladnější zóny správná. Vnitřní teplota chladničky ve skutečnosti závisí na několika faktorech, jako je okolní teplota v místnosti, množství uložených potravin a frekvence otevírání dveří. Vezměte tyto faktory při nastavování spotřebiče v úvahu.
- Pokud se na indikátoru zobrazuje „OK“, znamená to, že je termostat dobře nastaven a vnitřní teplota je správná.
- Pokud se indikátor teploty změní na BÍLOU barvu, znamená to, že je teplota příliš vysoká. V takovém případě zvýšte nastavení ovládání teploty chladničky a počkejte 12 hodin, než indikátor znovu vizuálně zkontrolujete. Je možné, že indikátor teploty změní dočasně barvu na BÍLOU, když vložíte čerstvé potraviny nebo když dveře zůstanou chvíli otevřené.



## ĎAKOVNÝ LIST

Ďakujeme vám, že ste si vybrali značku Midea! Pred prvým použitím vášho nového výrobku Midea si pozorne prečítajte tento návod na obsluhu, aby ste vedeli, ako bezpečne využívať vlastností a funkcie, ktoré váš nový spotrebič ponúka.

# OBSAH

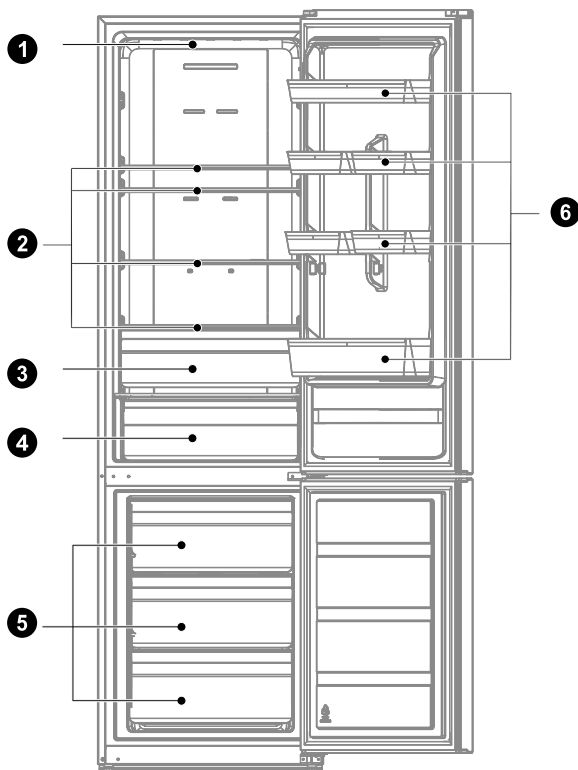
ĎAKOVNÝ LIST	01
ŠPECIFIKÁCIE	02
PREHĽAD VÝROBKU	03
INŠTALÁCIA PRODUKTU	04
POKYNY NA POUŽÍVANIE	12
ČISTENIE A ÚDRŽBA	17
ODSTRAŇOVANIE PROBLÉMOV	19
PRÍLOHA	21

# ŠPECIFIKÁCIE

<b>Produktový model</b>	<b>MDRB489FGE</b>
Objem priestoru na uloženie čerstvých potravín	247 L
Objem priestoru na uloženie mrazených potravín	83 L
Typ rozmrazovania	Automatické rozmrazovanie
Čas zvýšenia teploty	8 hod.
Mraziaci výkon	4 kg/24 h
Menovité napätie/frekvencia	220-240V~/50Hz
Menovitý prúd	0,7 A
Celkové rozmery (V x Š x H)	2010 x 595 x 635 mm

# PREHL'AD YÝROBKU

## Názvy dielov



1 LED svetlo

2 Polica

3 Box na ovocie a zeleninu

4 Mraziaca zásuvka

5 Zásuvka

6 Dverná zásuvka

### UPOZORNENIE

Hore znázornený obrázok je len ilustračný. Skutočná konfigurácia závisí od reálneho výrobku alebo vyhlásenia distribútora.

# INŠTALÁCIA PRODUKTU

## Pokyny na inštaláciu

### Pre chladiace zariadenia s klimatickou triedou

- V závislosti od klimatickej triedy je toto chladiace zariadenie určené na použitie pri teplote okolia uvedenej v nasledujúcej tabuľke.
- Klimatická trieda je uvedená na typovom štítku. Výrobok nemusí správne fungovať pri teplotách mimo uvedeného rozsahu.
- Klimatická trieda je uvedená na produktovom štítku.

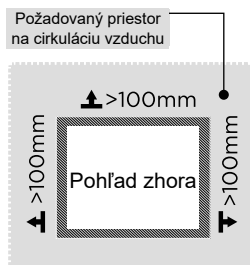
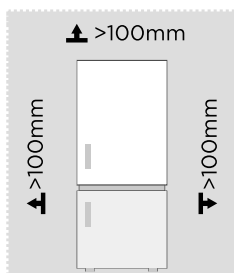
### Efektívny rozsah teploty

- Výrobok je určený na bežnú prevádzku pri rozsahu teplôt podľa príslušnej klasifikačnej triedy.

Trieda	Symbol	Rozsah okolitej teploty v °C	
		IEC 62552 (ISO 15502)	ISO 8561
Rozšírená teplota	SN	+10 až +32	+10 až +32
Teplota	N	+16 až +32	+16 až +32
Subtrópy	ST	+16 až +38	+18 až +38
Trópy	T	+16 až +43	+18 až +43

### Rozmery a odstupy

- Dôsledkom príliš malej vzdialenosti od susedných predmetov by mohlo byť zníženie mraziacej výkonnosti a zvýšenie nákladov za elektrinu. Pri inštalácii spotrebiča nechajte vzdialenosť viac ako 100 mm od každej susednej steny.

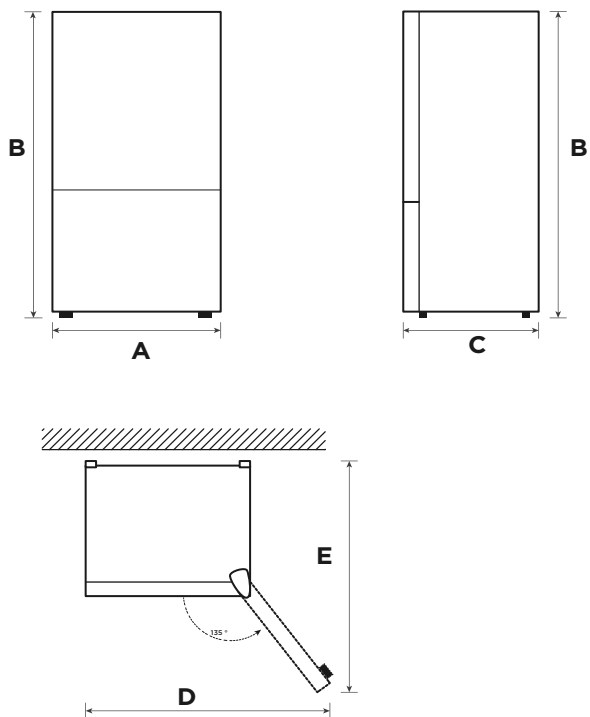


SK

### UPOZORNENIE

Hore znázornený obrázok je len ilustračný. Skutočná konfigurácia závisí od reálneho výrobku alebo vyhlásenia distribútora.

Schéma priestorových nárokov (keď sú dvere otvorené a keď sú dvere zatvorené)



Šírka	Celková výška	Hĺbka	Šírka s dverami otvorenými na 135°	Hĺbka s dverami otvorenými na 135°
A	B	C	D	E
595	2010	635	1016	1186

Upozornenie: Všetky rozmery sú v mm

SK

## Výmena otvárania dvierok sprava doľava (voliteľné)

Podľa toho, na akom mieste plánujete používať svoju chladničku, môže byť pre vás pohodlnejšie, keď sa otváranie dvierok otočí.

### VAROVANIE

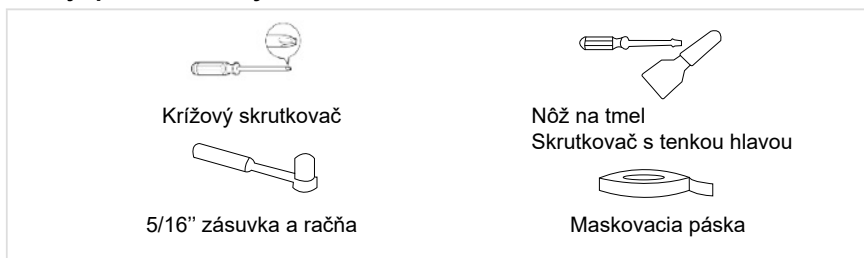
VAROVANIE: Aby ste predišli zraneniu alebo poškodeniu svojho majetku, odporúčame, aby vám niekto pri otáčaní otvárania dverí pomáhal.

Príprava na otočenie polohy dvierok

Budete potrebovať: Plochy skrutkovač, skrutkovač Phillips (krížový) a priložený maticový kľúč Allen.

- Skontrolujte, či je chladnička odpojená od napájania a prázdna.
- Zavolajte si niekoho, kto vám bude pri práci pomáhať.
- Odložte si všetky diely, ktoré demontujete, aby ste ich neskôr mohli použiť.

### Nástroje potrebné na výmenu dvierok:

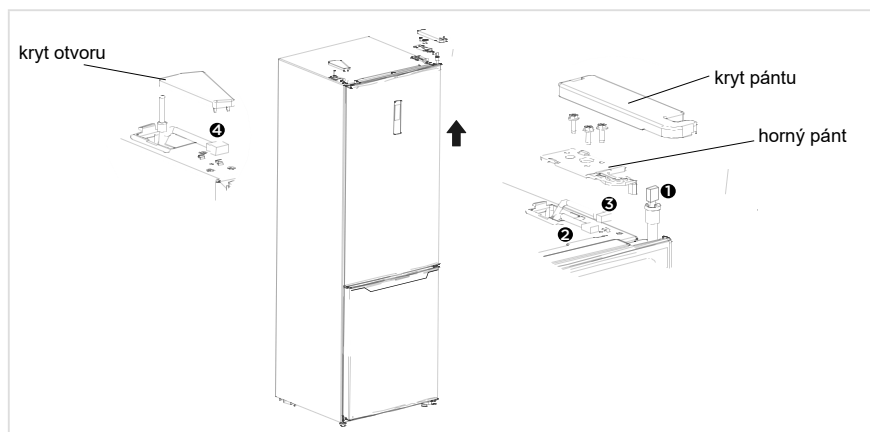


### Diely používané pri opačnom umiestnení dverí

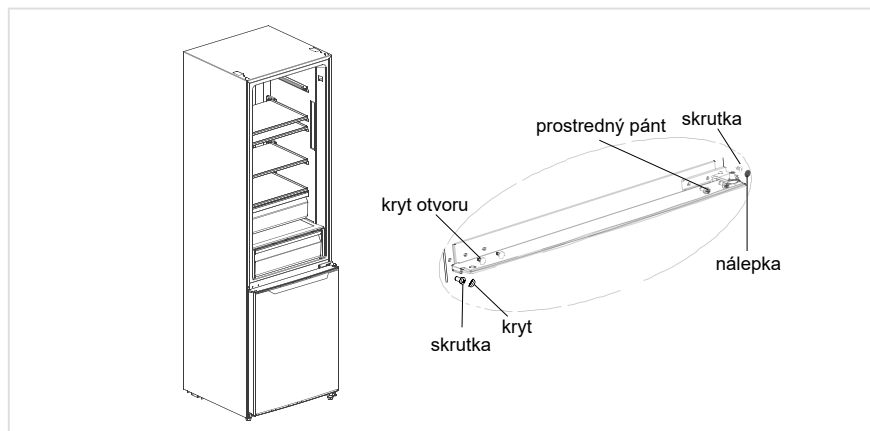
SN	Meno	Číslo	Poznámky
1	Nadstavec hriadeľa	1	Vopred nainštalovaná na chladničke a používa sa pri zmene dverí
2	Skrutka horného pántu	1	
3	Pravá zarážka	1	Vopred nainštalované na chladničke, odstráni sa, ak sú dvere umiestnené opačne a ponechá sa na použitie v budúcnosti
4	Príslušenstvo krytu pántu	1	
5	Stĺpový prepínač	1	Vopred nainštalovaná na chladničke a používa sa pri zmene dverí
6	Kryt pravého pántu	1	Vopred nainštalované na chladničke, odstráni sa, ak sú dvere umiestnené opačne a ponechá sa na použitie v budúcnosti
7	Pravý horný pánt	1	
8	Nastaviteľná noha	1	Vopred nainštalovaná na chladničke a používa sa pri zmene dverí
9	Balík s príslušenstvom	3	Ľavý horný pánt/kryt ľavého horného pántu/ľavá zarážka
10	Zostava dolného závesu	1	
11	Skrutka dolného pántu	2	Vopred nainštalovaná na chladničke a používa sa pri zmene dverí
12	Koncová krycia doska	1	
13	Kryt otvoru	1	

## Krok:

1. Pred vykonaním tejto operácie vypnite spotrebič. Vytiahnite všetky potraviny z poličiek na dverách. Pripevnite dvere páskami.
2. Demontujte horný kryt pántu, skrutky a horný pánt a odstráňte kryt otvoru z druhej strany. Odpojte káblový konektor na pravej strane hornej časti mrazničky (1, 3 káblový konektor).

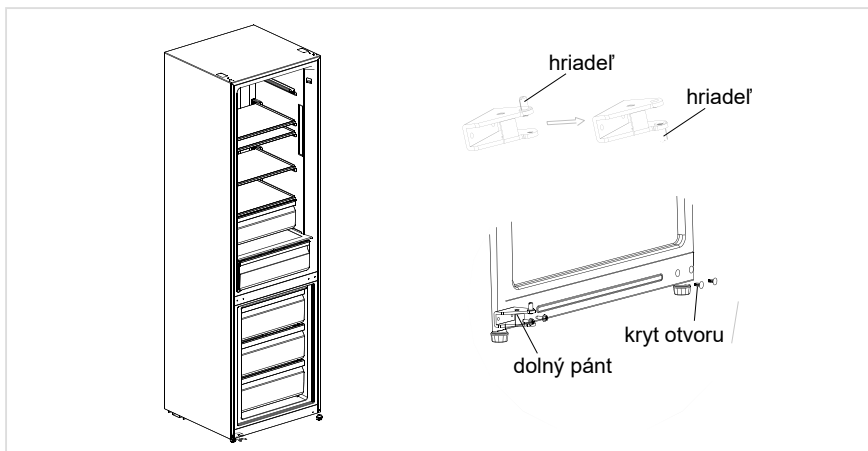


3. Odoberte dvere chladiacej komory, ako aj skrutky, kryt skrutiek, nálepku, prostredný pánt a kryt otvoru.

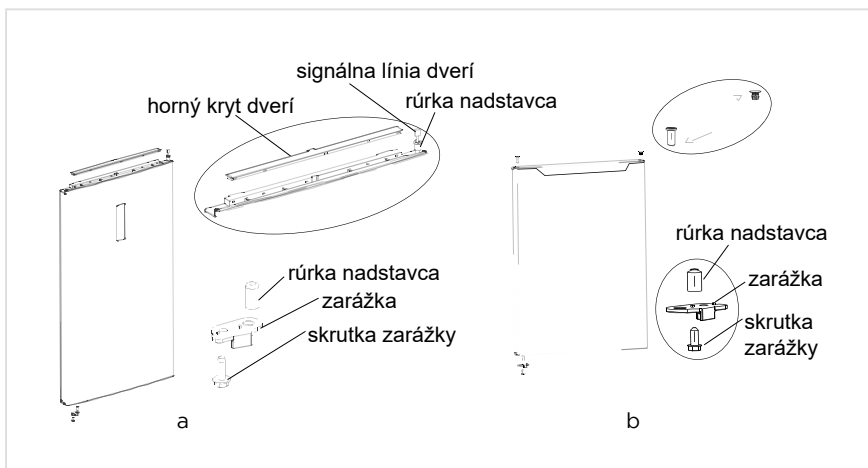


SK

4. Odoberte dvere mraziacej komory, rozoberte dolný pánt, kryty otvorov. Vložte hriadeľ dolného pántu na opačnú stranu a nainštalujte dolný pánt na opačnú stranu spodného nosníka.

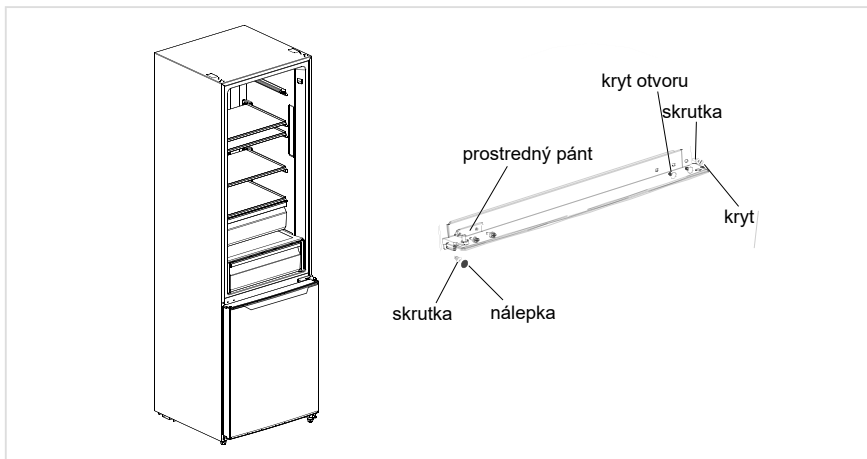


5. a) Odoberte horný kryt dverí chladiacej komory, nainštalujte nadstavec horného pántu a signálnu líniu dverí na opačnú stranu a nainštalujte horný kryt dverí. Rozoberte zarážku a rúrku nadstavca z pravej dolnej časti dverí mraziacej komory, vyberte ďalšiu náhradnú zarážku (pre dvere s vymeniteľnou orientáciou) a nainštalujte rúrku nadstavca a náhradnú zarážku na ľavú dolnú časť dverí. Pomocou skrutiek nainštalujte na opačnú stranu nadstavec horného pántu, signálnu líniu dverí a nainštalujte horný kryt dverí.  
 b) Rozoberte zarážku a rúrku nadstavca z pravej dolnej časti dverí mraziacej komory, vyberte ďalšiu náhradnú zarážku (pre dvere s vymeniteľnou orientáciou) a nainštalujte rúrku nadstavca a náhradnú zarážku na ľavú dolnú časť dverí pomocou skrutky. Odoberte rúrku nadstavca a kryty otvorov dverí mraziacej komory a pripevnite ich na opačnú stranu.

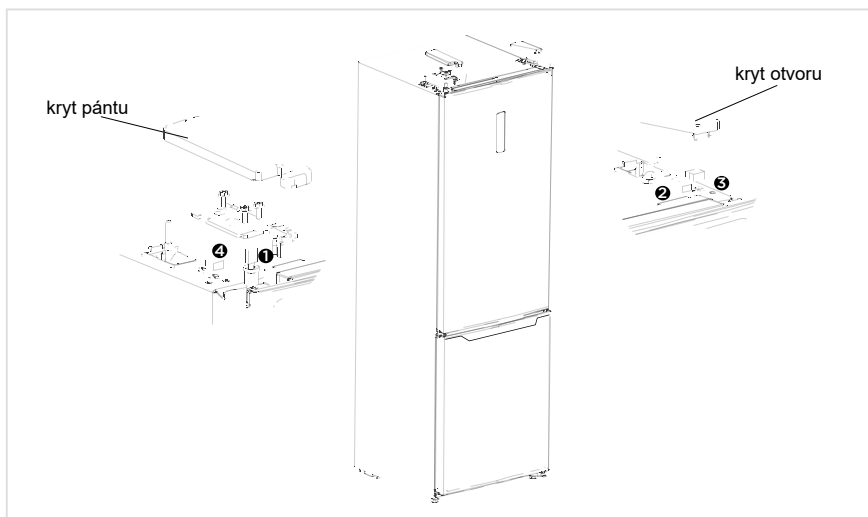




6. Umiestnite dverka mrazničky na dolný pánt a nainštalujte prostredný pánt, kryt otvorov, kryt skrutky a nálepku.



7. Vezmite si ľavý horný pánt a kryt ľavého horného pántu z balíka s príslušenstvom. Umiestnite dvere chladničky na prostredný pánt, nainštalujte horný pánt. Pripojte terminál signálnej línie ④ k terminálu signálnej línie ①, pripojte terminál signálnej línie ② k terminálu signálnej línie ③, nainštalujte kryt horného pántu a kryt otvoru.



#### ● UPOZORNENIE

Hore znázornený obrázok je len ilustračný. Skutočná konfigurácia závisí od reálneho výrobku alebo vyhlásenia distribútora.

## Umiestnenie

- Pred použitím odstráňte z chladničky všetok obalový materiál vrátane spodných vankúšov, penových podložiek a pásov. Odtrhnite ochrannú fóliu na dverách a tele chladničky.
- Držte mimo dosahu tepla a priameho slnečného svetla. Neumiestňujte mrazničku na vlhké ani vodnaté miesta, aby ste zabránili hrdzaveniu alebo zníženiu izolačného účinku.
- Nestriekajte a neoplachujte chladničku; nedávajte chladničku na vlhké miesta, ktoré môžu byť ľahko postriekané vodou, aby nedošlo k ovplyvneniu elektrických izolačných vlastností chladničky.
- Chladnička je umiestnená na dobre vetranom interiérovom mieste; Podklad musí byť rovný a pevný (otočením doľava alebo doprava nastavte vyrovnávacie koliesko, ak je nestabilné).



## Vyrovnávacia noha

Prístroj sa musí vyrovať, aby nedochádzalo k vibráciám.

Podľa potreby nastavte vyrovnávacie skrutky tak, aby kompenzovali nerovnosti podlahy.

Predná strana by mala byť o niečo vyššie ako zadná, aby sa uľahčilo zatváranie dvierok.

Vyrovnávacie skrutky sa dajú ľahko otáčať po miernom naklonení skrine.

Otáčaním vyrovnávacích skrutiek proti smeru hodinových ručičiek  sa prístroj zdvihne, v smere hodinových ručičiek  sa spustí.

## Premiestňovanie spotrebiča

1. Vyberte všetky potraviny zvnútra spotrebiča.
2. Vytiahnite zástrčku napájania zo zásuvky, zaveste ju na určený háčik na zadnej alebo hornej strane spotrebiča a upevnite ju.
3. Pohyblivé diely ako poličky a rukoväti dvierok upevnite páskou, aby pri premiestňovaní nevypadli.
4. Spotrebič premiestňujte opatrne a využite pomoc aspoň dvoch osôb. Keď prepravujete spotrebič na väčšiu vzdialenosť, udržiajte ho v zvislej polohe.
5. Po umiestnení spotrebiča zasuňte zástrčku napájania do zásuvky, aby ste mohli spotrebič zapnúť.

### UPOZORNENIE

Preventívne opatrenia pred použitím:

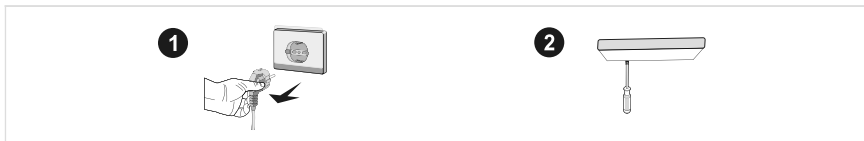
Pred vykonaním zmien je potrebné chladničku odpojiť od napájania. Mali by sa prijať preventívne opatrenia, aby sa predišlo akémukoľvek zraneniu osôb.

## Výmena svetla

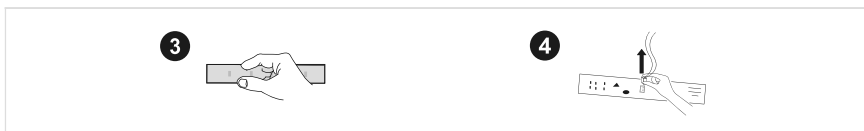
- Všetky výmeny alebo údržbu LED svetiel musí robiť výrobca, jeho servisný zástupca alebo podobne kvalifikovaná osoba. Tento výrobok obsahuje svetelný zdroj s energetickou účinnosťou <F>.

### Krok

1. Pred odstránením vytiahnite zástrčku.
2. Odstráňte tienidlo pomocou skrutkovača.



3. Dajte dolu panel žiarovky.
4. Odstráňte pripojovaciu svorku.



## Pripojenie spotrebiča

Pred prvým spustením nechajte chladničku stáť dve hodiny, až potom ju zapojte do elektrickej zásuvky.

### UPOZORNENIE

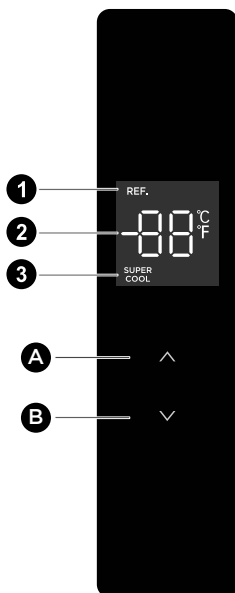
Pred vložením akýchkoľvek čerstvých alebo mrazených potravín musí byť chladnička v prevádzke 2 až 3 hodiny alebo v lete viac ako 4 hodiny (keď je okolitá teplota vysoká).

## Rady na úsporu energie

- Spotrebič by mal byť umiestnený na najchladnejšom mieste miestnosti, mimo dosah zariadení produkujúcich teplo alebo vykurovacích potrubí a mimo priameho slnečného žiarenia.
- Pred vložením do spotrebiča nechajte teplé jedlá vychladnúť na izbovú teplotu. Preťaženie spotrebiča núti kompresor pracovať dlhšie. Potraviny, ktoré mrazia príliš pomaly, môžu stratiť kvalitu alebo sa pokaziť.
- Nezabudnite potraviny správne zabaliť a nádoby pred vložením do spotrebiča utrieť do sucha. Toto obmedzuje tvorbu námrazy vo vnútri spotrebiča.
- Úložný box spotrebiča nemá byť obložený hliníkovou fóliou, voskovým papierom ani papierovými utierkami. Vložky narúšajú cirkuláciu studeného vzduchu, čo znižuje účinnosť spotrebiča.
- Usporiadajte a označte jedlo tak, aby ste obmedzili otváranie dverí a dlhšie hľadanie. Vyberte naraz toľko predmetov, koľko potrebujete, a čo najskôr zatvorte dvere.

# POKYNY NA POUŽÍVANIE

## Ovládací panel



### UPOZORNENIE

Hore znázornený obrázok je len ilustračný. Skutočná konfigurácia závisí od reálneho výrobku alebo vyhlásenia distribútora.

### Tlačidlo

- |          |                           |
|----------|---------------------------|
| <b>A</b> | Tlačidlo zvýšenia teploty |
| <b>B</b> | Tlačidlo zníženia teploty |

### Displej

- |          |                          |
|----------|--------------------------|
| <b>1</b> | Ikona chladenia          |
| <b>2</b> | Ikona zobrazenia teploty |
| <b>3</b> | Ikona super chladenia    |

## Displej

- Pri prvom zapnutí chladničky sa celý zobrazovací panel rozsvieti na 3 sekundy. Zobrazovací panel potom prejde do normálneho zobrazenia. Pri otvorení dverí sa panel rozsvieti, pri zatvorení dverí sa panel vypne. Pri prvom použití chladničky je nastavená predvolená teplota chladiacej komory 5 °C.
- Pri výskyte chyby sa na zobrazovacom paneli zobrazí kód chyby. V opačnom prípade sa na paneli zobrazuje nastavená teplota.

## Nastavenie teploty

- Stlačením tlačidla zvýšenia teploty „Λ“ môžete nastaviť teplotu: každým stlačením tlačidla zvýšenia teploty „Λ“ sa nastavená teplota zvýši o 1 °C. Stlačením tlačidla zníženia teploty „∨“ môžete nastaviť teplotu: každým stlačením tlačidla zníženia teploty „∨“ sa nastavená teplota zníži o 1 °C. Rozsah nastavenia teploty chladiacej komory je 2 až 8 °C. Ak je nastavená teplota na hraničnú hodnotu, po ďalšom stlačení tlačidla zvýšenia teploty „Λ“ alebo tlačidla zníženia teploty „∨“ sa ozve zvuk alarmu chladničky.

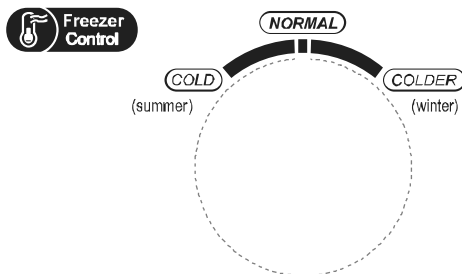
## Nastavenie režimu

- Nastavenie režimu super chladenia: po nastavení teploty chladiacej miestnosti na 2 °C stlačte tlačidlo zníženia teploty „∨“, čím prejdete do režimu super chladenia. V režime super chladenia sa teplota chladiacej komory automaticky nastaví na 2 °C.
- Ukončenie režimu super chladenia: stlačte tlačidlo zvýšenia teploty „Λ“, čím ukončíte režim super chladenia, prípadne sa režim super chladenia automaticky skončí po 6 hodinách. Po ukončení režimu super chladenia sa teplota chladničky automaticky vráti na teplotu nastavenú pred režimom super chladenia.

## Ovládanie alarmu pri otvorení

- Ak sa dvere nezavú do dvoch minút, bude znieť bzučiak, kým sa dvere nezavú. Alarm bzučiaka zastavíte stlačením ľubovoľného tlačidla.

**Nastavením teploty môžete ukončiť režim mimoriadneho chladenia.**



## Ovládanie teploty mraziacej komory

- Teplota v mraziacej komore je nižšia v polohe „COLDER“ a vyššia v polohe „COLD“, preto sa všeobecne používa poloha „NORMAL“.
- Keď je v lete vysoká teplota okolitého prostredia, teplota by sa mala pohybovať medzi hodnotami „NORMAL“ a „COLD“. Keď je teplota okolitého prostredia vyššia ako 35 °C, mala by sa prevažne používať poloha „COLD“.
- Keď je v zime nízka teplota okolitého prostredia, teplota by sa mala pohybovať medzi hodnotami „NORMAL“ a „COLDER“. Keď je teplota okolitého prostredia nižšia ako 10 °C, mala by sa prevažne používať poloha „COLDER“.

## Ovládanie výstrahy k otvoreniu a alarmu

- Keď sa otvoria dvere chladničky, prehrá sa melódia otvorených dverí. Ak dvere nezavrú do dvoch minút, bude znieť zvuk bzučiaka, kým sa dvere nezavrú. Alarm bzučiaka zastavíte stlačením ľubovoľného tlačidla.

## Hlásenie poruchy

- Nasledujúce výstrahy zobrazené na displeji označujú zodpovedajúce poruchy chladničky.
- Aj keď chladnička môže mať aj naďalej funkciu chladenia s nasledujúcimi poruchami, používateľ musí kvôli údržbe kontaktovať špecialistu na údržbu, aby zabezpečil optimálnu prevádzku spotrebiča.

Kód chyby	Popis chyby
E1	Porucha teplotného snímača chladiacej komory
E2	Porucha teplotného snímača mraziacej komory
E3	Zlyhanie snímača teploty v mraziacej zásuvke
E5	Chyba detekčného obvodu snímača mrazenia
E6	Chyba komunikácie
E7	Chyba snímača okolitej teploty

## Chladiaca komora

- Chladiaca komora je vhodná na skladovanie najrôznejších druhov ovocia, zeleniny, nápojov a iných potravín konzumovaných v krátkodobom horizonte, odporúčaná doba skladovania sú 3 až 5 dní.
- Varené jedlo sa nesmie dávať do chladiacej komory, kým nevychladne na izbovú teplotu.
- Pred vložením do chladničky sa odporúča potraviny uzavrieť.
- Sklenené police je možné nastaviť nahor alebo nadol, aby poskytovali vhodný úložný priestor a ľahko sa používali.

## Mraziaca komora

- Nízkotepelná mraziaca komora môže udržiavať potraviny čerstvé dlho a používa sa hlavne na skladovanie mrazených potravín a výrobu ľadu.
- Mraziaca komora je vhodná na uskladnenie mäsa, rýb, ryžových gulôčok a iných potravín, ktoré nebudú konzumované v krátkej dobe.
- Kusy mäsa by sa mali prednostne rozdeliť na malé kúsky pre rýchle zmrazenie a ľahký prístup. Upozorňujeme, že jedlo musí byť spotrebované v priebehu času.

## Mraziaca zásuvka

- Vhodné na krátkodobé (1 – 3 dni) uskladnenie čerstvých rýb, čerstvého mäsa, čerstvých potravín atď. určených na konzumáciu.
- V zadnej a dolnej časti zásuvky môžu byť potraviny zmrazené, preto sem neumiestňujte potraviny, ktoré sa nesmú zmrazovať.
- Odporúča sa potraviny triediť a používať uzatvárateľné obaly.

### UPOZORNENIE

Poznámka: Skladovanie príliš veľkého množstva potravín počas prevádzky po prvom pripojení k napájaniu môže nepriaznivo ovplyvniť mraziaci účinok chladničky.

Poradie	TYP priehradky	Cieľová skladovacia tepl. [°C]	Vhodné potraviny
1	Chladnička	+2 ~ +8	Vajíčka, varené potraviny, balené potraviny, ovocie a zelenina, mliečne výrobky, zákusky, nápoje a iné potraviny nevhodné na zmrazenie.
2	(***)*-Mraznička	≤-18	Morské plody (ryby, krevety, mäkkýše), sladkovodné produkty a mäsové výrobky (odporúčané na 3 mesiace, čím dlhšie trvá skladovanie, tým horšia je chuť a nutričná hodnota), vhodné na mrazenie čerstvých potravín.
3	***-Mraznička	≤-18	Morské plody (ryby, krevety, mäkkýše), sladkovodné produkty a mäsové výrobky (odporúčané na 3 mesiace, čím dlhšie trvá skladovanie, tým horšia je chuť a nutričná hodnota), vhodné na mrazenie čerstvých potravín.
4	** -Mraznička	≤-12	Morské plody (ryby, krevety, mäkkýše), sladkovodné produkty a mäsové výrobky (odporúčané na 3 mesiace, čím dlhšie trvá skladovanie, tým horšia je chuť a nutričná hodnota), vhodné na mrazenie čerstvých potravín.
5	*-Mraznička	≤-6	Morské plody (ryby, krevety, mäkkýše), sladkovodné produkty a mäsové výrobky (odporúčané na 3 mesiace, čím dlhšie trvá skladovanie, tým horšia je chuť a nutričná hodnota), vhodné na mrazenie čerstvých potravín.
6	0 hviezdíček	-6 ~ 0	Čerstvé bravčové, hovädzie, ryby, kuracie mäso, niektoré balené spracované potraviny atď. (odporúča sa zjesť v ten istý deň, najlepšie nie viac ako 3 dni). Čiastočne uzavreté spracované potraviny (potraviny, ktoré sa nezmrazujú).
7	Okolo nuly	-2 ~ +3	Čerstvé/mrazené bravčové, hovädzie, hydina, výrobky zo sladkovodných živočíchov atď. (7 dní pod 0 °C a nad 0 °C sa odporúča skonzumovať ešte v ten istý deň, ideálne nie dlhšie ako 2 dni). Morské plody (pod 0 °C na 15 dní, nie je vhodné skladovať nad 0 °C).
8	Čerstvé potraviny	0 ~ +4	Čerstvé bravčové, hovädzie, ryby, kuracie mäso, varené jedlo atď. (Odporúča sa jesť v ten istý deň, najlepšie nie dlhšie ako 3 dni)
9	Víno	+5 ~ +20	Červené víno, biele víno, šumivé víno atď.

### UPOZORNENIE

rozičné potraviny, ktoré si zakúpíte, skladujte v rôznych priehradkách alebo podľa cieľovej skladovacej teploty.



# ČISTENIE A ÚDRŽBA

## Celkové čistenie

- Prach za chladničkou a na zemi sa musí včas vyčistiť, aby sa zlepšil chladiaci efekt a úspora energie.
- Pravidelne kontrolujte tesnenie dverí, či tam nie sú nečistoty. Vyčistíte tesnenie dverí mäkkou handričkou navlhčenou mydlovou vodou alebo zriedeným saponátom.
- Vnútro chladničky je potrebné pravidelne čistiť, aby nepáchla.
- Pred čistením interiéru vypnite napájanie, vyťahnite všetky potraviny, nápoje, poličky, zásuvky atď.
- Mäkkou handričkou alebo špongiou vyčistíte vnútro chladničky roztokom z dvoch polievkových lyžíc sódy bikarbóny a litra teplej vody. Potom opláchnite vodou a dočista utrite. Po vyčistení otvorte dvere a pred opätovným zapnutím nechajte prirodzene vyschnúť.
- Na oblasti, ktoré sa v chladničke ťažko čistia (napríklad úzke štrbiny, medzery alebo rohy) sa odporúča pravidelne ich otrieť mäkkou handrou, mäkkou kefou atď. A podľa potreby to skombinovať s niektorými pomocnými nástrojmi (ako napr. tenké tyčinky), aby sa zabezpečilo, že sa v týchto miestach nebudú hromadiť kontaminanty ani baktérie.
- Nepoužívajte mydlo, saponát, čistiaci prášok, sprejový čistič atď., pretože by mohli spôsobiť zápach vo vnútri chladničky alebo kontaminovať potraviny.
- Vyčistíte rám na fľaše, poličky a zásuvky mäkkou handričkou navlhčenou mydlovou vodou alebo zriedeným saponátom. Vysušte mäkkou handričkou, prípadne nechajte prirodzene vyschnúť.
- Vonkajší povrch chladničky utrite mäkkou handričkou navlhčenou mydlovou vodou, saponátom atď., a potom utrite dosucha.
- Nepoužívajte tvrdé kefy, čistiace oceľové guľôčky, drôtené kefy, abrazívne prostriedky (napríklad zubné pasty), organické rozpúšťadlá (napríklad alkohol, acetón, banánový olej atď.), vriacu vodu, kyslé ani zásadité predmety, ktoré môžu poškodiť povrch chladničky a interiér. Vriaca voda a organické rozpúšťadlá, ako je benzén, môžu deformovať alebo poškodiť plastové časti.
- Počas čistenia neoplachujte priamo vodou ani inými tekutinami, aby ste predišli skratom a neovplyvnili elektrickú izoláciu ponorením do tekutiny.

## UPOZORNENIE

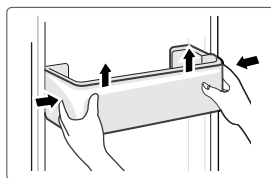
Pred rozmrazovaním a čistením chladničku odpojte.

## Odmrazovanie

- Chladnička je vyrobená na princípe chladenia vzduchom a má teda funkciu automatického odmrázovania. Námrazu vytvorenú v dôsledku zmeny ročného obdobia alebo teploty je možné odstrániť aj ručne odpojením spotrebiča od napájania alebo utretím suchým uterákom.

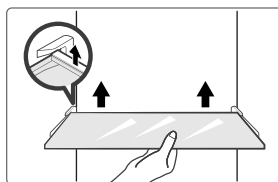
## Čistenie zásobníka na dverách

- Podľa smerovej šípky na obrázku nižšie stlačte zásobník dvoma rukami a vytlačte ho smerom hore, aby sa dal vytiahnuť.
- Po umytí zásuvky môžete jej inštalačnú výšku upraviť podľa svojich požiadaviek.



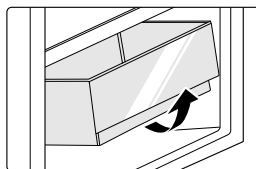
## Čistenie sklenených políc

- Pretože najvnútornejšia časť vložky chladničky, v ktorej je kontakt s policami, má spätný doraz, zdvihnete police smerom hore a potom ju budete môcť vybrať.
- Upravte alebo vyčistite poličky podľa svojich potrieb.



## Čistenie priehradky na zeleninu

1. Vyberte obsah priehradky. Držte rukoväť priehradky na zeleninu a úplne ju vytiahnite, kým sa nezastaví.
2. Zdvihnite priehradku na zeleninu nahor a ťahom ju vyberte von.



## Mimo prevádzku

### Výpadok energie:

V prípade výpadku prúdu (aj v lete), môžete potraviny vo vnútri spotrebiča uchovávať niekoľko hodín. Počas výpadku energie je potrebné redukovať počet otvorení dverí a do spotrebiča sa už nesmú dávať čerstvé potraviny.

### Dlhodobé nepoužívanie:

Spotrebič je potrebné odpojiť a vyčistiť. Dvere treba nechať otvorené, aby nevznikal zápach.

### Presúva sa:

Pred premiestnením chladničky vytiahnite von všetky predmety, zafixujte páskou sklenené priečky, držiak na zeleninu, zásuvky mraziacej komory atď. a zatiahnite vyrovnávacie nožičky. Zatvorte dvere a zafixujte ich páskou. Počas premiestňovania nesmie byť spotrebič položený hore dnom ani vodorovne, nesmie ani vibrovať. Sklon počas premiestňovania nesmie byť väčší ako 45°.

### UPOZORNENIE

Po spustení musí spotrebič bežať nepretržite. Prevádzka spotrebiča sa spravidla nesmie prerušiť, inak by sa mohla znížiť jeho životnosť.

# ODSTRAŇOVANIE PROBLÉMOV

Nasledujúce jednoduché problémy dokáže vyriešiť samotný používateľ. Ak sa problémy nepodarí vyriešiť, obráťte sa na oddelenie popredajných služieb.

Problém	Možná príčina
Porucha prevádzky	<ul style="list-style-type: none"><li>• Skontrolujte, či je spotrebič zapojený do zásuvky a či má zástrčka dobrý kontakt.</li></ul>
	<ul style="list-style-type: none"><li>• Skontrolujte, či nie je napätie nízke.</li></ul>
	<ul style="list-style-type: none"><li>• Skontrolujte, či nedošlo k výpadku napájania alebo či nedošlo k poruche čiastkových obvodov.</li></ul>
Zápach	<ul style="list-style-type: none"><li>• Zapáchajúce potraviny je potrebné tesne uzavrieť.</li></ul>
	<ul style="list-style-type: none"><li>• Skontrolujte, či v chladničke nie sú zhnité potraviny.</li></ul>
	<ul style="list-style-type: none"><li>• Vyčistite vnútro chladničky.</li></ul>
Dlhodobá prevádzka kompresora	<ul style="list-style-type: none"><li>• Dlhá prevádzka chladničky je normálna v lete, keď je okolitá teplota vysoká.</li></ul>
	<ul style="list-style-type: none"><li>• Neodporúča sa mať v spotrebiči súčasne príliš veľa jedla.</li></ul>
	<ul style="list-style-type: none"><li>• Jedlo musí byť pred vložením do spotrebiča vychladnuté.</li></ul>
Svetlá nesvietia	<ul style="list-style-type: none"><li>• Dvere sa otvárajú príliš často.</li></ul>
	<ul style="list-style-type: none"><li>• Skontrolujte, či je chladnička pripojená k zdroju napájania a či nie je poškodený svetelný indikátor.</li></ul>
	<ul style="list-style-type: none"><li>• Svetlo musí vymieňať odborník.</li></ul>
Je možné, že dvierka nie sú dobre zatvorené	<ul style="list-style-type: none"><li>• Dvierka sú zablokované balíkmi jedla</li></ul>
	<ul style="list-style-type: none"><li>• Chladnička je naklonená.</li></ul>
Hlasné zvuky	<ul style="list-style-type: none"><li>• Skontrolujte, či je podlaha rovná a či je chladnička umiestnená stabilne.</li></ul>
	<ul style="list-style-type: none"><li>• Skontrolujte, či je príslušenstvo umiestnené na správnom mieste.</li></ul>

Problém	Možná příčina
Dvere netesnia	<ul style="list-style-type: none"> <li>• Odstráňte cudzorodé predmety z tesnenia dverí.</li> <li>• Zahrejte tesnenie dverí a potom ho ochladte na obnovenie (alebo ho ofúkajte fénom alebo na zahriatie použite horúci uterák).</li> </ul>
Pretečenie zásobníka na vodu	<ul style="list-style-type: none"> <li>• V komore je príliš veľa jedla alebo skladované potraviny obsahujú príliš veľa vody, čo vedie k silnému rozmrazovaniu.</li> <li>• Dvere nie sú správne zatvorené, čo vedie k zamrznutiu v dôsledku vstupu vzduchu a zvýšeniu množstva vody v dôsledku rozmrazovania.</li> </ul>
Horúci povrch	<ul style="list-style-type: none"> <li>• Cez kryt dochádza k vyžarovaniu tepla zo vstavaného kondenzora, toto je normálne. Ak sa kryt spotrebiča rozhorúči kvôli vysokej teplote prostredia, nie je vhodné skladovať príliš veľa potravín, lebo kompresor sa môže vypnúť. Uľahčite rozptyl tepla vhodným vetraním.</li> </ul>
Kondenzácia na povrchu	<ul style="list-style-type: none"> <li>• Kondenzácia na vonkajšom povrchu a tesnení dverí chladničky je normálna, keď je okolitá vlhkosť príliš vysoká. Jednoducho utrite kondenzát čistým uterákom.</li> </ul>
Nezvyčajný hluk	<ul style="list-style-type: none"> <li>• Bzučanie: Kompresor môže počas prevádzky vydávať bzučanie a tieto zvuky sú hlasné, najmä pri štarte alebo zastavení. Je to normálny jav.</li> <li>• Vřízganie: Chladivo prúdiace vo vnútri spotrebiča môže vydávať vřízganie, čo je normálne.</li> </ul>

# PRÍLOHA

## Špeciálne pre novú európsku normu

V nasledujúcej tabuľke sú uvedené diely, ktoré je možné objednať prostredníctvom poskytovateľa servisu.

Objednávaný diel	Poskytuje	Minimálny čas potrebný na poskytnutie
Termostaty	Profesionálny pracovník údržby	Najmenej 7 rokov po uvedení posledného modelu na trh
Snímače teploty	Profesionálny pracovník údržby	Najmenej 7 rokov po uvedení posledného modelu na trh
Dosky s plošnými spojmi	Profesionálny pracovník údržby	Najmenej 7 rokov po uvedení posledného modelu na trh
Svetelný zdroj	Profesionálny pracovník údržby	Najmenej 7 rokov po uvedení posledného modelu na trh
Rukováti dverí	Profesionálni opravári a koncoví používatelia	Najmenej 7 rokov po uvedení posledného modelu na trh
Pánty dverí	Profesionálni opravári a koncoví používatelia	Najmenej 7 rokov po uvedení posledného modelu na trh
Podnosy	Profesionálni opravári a koncoví používatelia	Najmenej 7 rokov po uvedení posledného modelu na trh
Košé	Profesionálni opravári a koncoví používatelia	Najmenej 7 rokov po uvedení posledného modelu na trh
Tesnenia dverí	Profesionálni opravári a koncoví používatelia	Najmenej 10 rokov po uvedení posledného modelu na trh

## Vážení zákazníci

1. Ak chcete výrobok vrátiť alebo vymeniť, obráťte sa na obchod, v ktorom ste ho kúpili.  
(Nezabudnite priniesť doklad o zakúpení)
2. Ak sa váš výrobok pokazí a je potrebné ho opraviť, kontaktujte poskytovateľa popredajného servisu.

## UPOZORNENIE

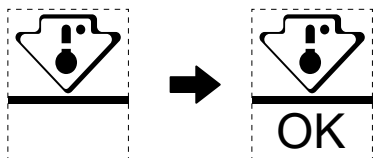
Informácie o modeli v databáze produktov a identifikátor modelu je možné získať prostredníctvom webového prepojenia naskenovaného pomocou kódu QR, ak je uvedený na štítku energetickej účinnosti výrobku. Ďalšie informácie o energetickej účinnosti spotrebiča nájdete na stránke <https://ec.europa.eu> a vyhľadajte si podrobnosti podľa názvu modelu.

Názov modelu sa nachádza na typovom štítku spotrebiča.

## Najchladnejšia zóna v chladničke

### VOLITELNÝ DOPLNOK: indikátor teploty – OK

- Indikátor teploty – OK je možné použiť na určenie, či je teplota pod +4 °C. Teplotu je možné postupne znižovať, ak indikátor nezobrazuje „OK“.



- Ak chcete zaistiť teplotu v tejto oblasti, nemeňte umiestnenie police. Pre chladničky s núteným obehom vzduchu (vybavené ventilátorom alebo modely bez mrazenia) symbol najchladnejšej zóny nie je znázornený, pretože teplota vo vnútri je homogénna.

### Nastavenie indikátora teploty

- V rámci dobrého nastavenia je chladnička vybavená indikátorom teploty, ktorý bude sledovať priemernú teplotu v najchladnejšej zóne.
- VÝSTRAHA:** Tento indikátor je určený len pre vašu chladničku, nepoužívajte ho v inej chladničke (v skutočnosti najchladnejšia zóna nie je rovnaká) ani na žiadne iné účely.

### Overenie teploty v najchladnejšej zóne

- Vďaka indikátoru teploty môžete pravidelne kontrolovať, či je teplota v najchladnejšej zóne správna. Vnútrotná teplota chladničky v skutočnosti závisí od niekoľkých faktorov, ako je teplota okolia v miestnosti, množstvo uložených potravín a frekvencia otvárania dverí. Pri nastavení spotrebiča zoberte tieto faktory do úvahy.
- Keď je na indikátore hodnota „OK“, znamená to, že termostat je dobre nastavený a vnútrotná teplota je správna.
- Ak sa indikátor teploty zmení na BIELY, znamená to, že teplota je príliš vysoká; v takom prípade zvýšte nastavenie ovládania teploty chladničky a počkajte 12 hodín pred vykonaním novej vizuálnej kontroly indikátora. Po vložení čerstvých potravín alebo ponechaní otvorených dvierok je možné, že sa ukazovateľ teploty po chvíli zmení na BIELY.





*make yourself at home*



[www.midea.com](http://www.midea.com)

© Midea 2022 all rights reserved