



Refrigerator
BOTTOM MOUNTED FREEZER SERIES

USER MANUAL

MDRB548MME*

MDRB600MME*

Warning notices: Before using this product, please read this manual carefully and keep it for future reference. The design and specifications are subject to change without prior notice for product improvement. Consult with your dealer or manufacturer for details.
The diagram above is just for reference. Please take the appearance of the actual product as the standard.

LANGUAGES

EN	English
DE	Deutsch
IT	Italian
FR	French
ES	Spanish
PT	Portuguese
GR	Greek
PL	Polish
LV	Latvian
SR	Serbian
HR	Republika Hrvatska
HU	Hungary
SL	Slovenia
RO	Romania
BG	Bulgaria
LT	Lithuania
AL	Albanian
CZ	Czech
SK	Slovak

THANK YOU LETTER

Thank you for choosing Midea! Before using your new Midea product, please read this manual thoroughly to ensure that you know how to operate the features and functions that your new appliance offers in a safe way.

CONTENTS

EN

THANK YOU LETTER	01
SPECIFICATIONS	02
PRODUCT OVERVIEW	03
PRODUCT INSTALLATION	05
OPERATION INSTRUCTIONS	12
CLEANING AND MAINTENANCE	17
TROUBLESHOOTING	18
APPENDIX	21

SPECIFICATIONS

EN

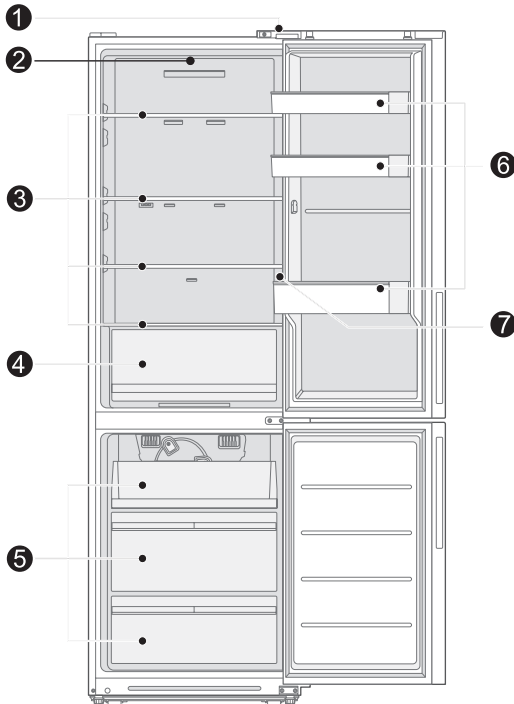
Product model	MDRB548MME*
Rated Voltage/Frequency	220-240V~/50Hz
Rated Current	1.4A
Total Volume	401L
Fresh Food Storage Compartment Volume	271L
Four-star Compartment Volume	130L
Freezing Capacity	8.0kg/24h
Temperature Rise Time	8h
Overall Dimension (W x D x H)	595x670x1860mm

Product model	MDRB600MME*
Rated Voltage/Frequency	220-240V~/50Hz
Rated Current	1.4A
Total Volume	443L
Fresh Food Storage Compartment Volume	313L
Four-star Compartment Volume	130L
Freezing Capacity	8.0kg/24h
Temperature Rise Time	8h
Overall Dimension (W x D x H)	595x670x2010mm

PRODUCT OVERVIEW

Names of components

MDRB548MME*



- | | | | |
|---|-------------------------|---|---------------|
| 1 | Door switch | 5 | Drawer |
| 2 | LED light | 6 | Door tray |
| 3 | Shelf | 7 | Control panel |
| 4 | Fruits & vegetables box | | |

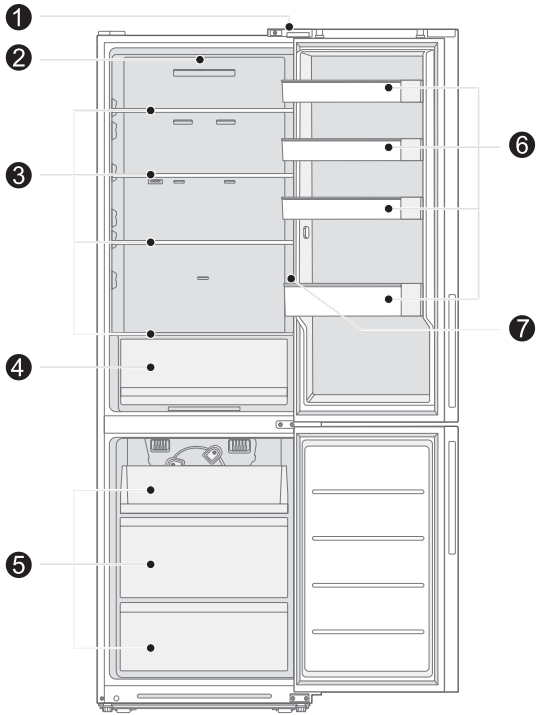
ATTENTION

The picture above is only for reference. The actual configuration will depend on the physical product or statement by the distributor.

EN

MDRB600MME*

EN



- | | | | |
|---|-------------------------|---|---------------|
| 1 | Door switch | 5 | Drawer |
| 2 | LED light | 6 | Door tray |
| 3 | Shelf | 7 | Control panel |
| 4 | Fruits & vegetables box | | |

ATTENTION

The picture above is only for reference. The actual configuration will depend on the physical product or statement by the distributor.

PRODUCT INSTALLATION

Install Instruction

For refrigerating appliances with climate class

- Depending on the climate class, this refrigerating appliance is intended to be used at ambient temperatures range as specified following table.
- The climate class can be found on the rating plate. The product may not operate properly at temperatures outside of the specific range.
- You can find the climate class on the product label.

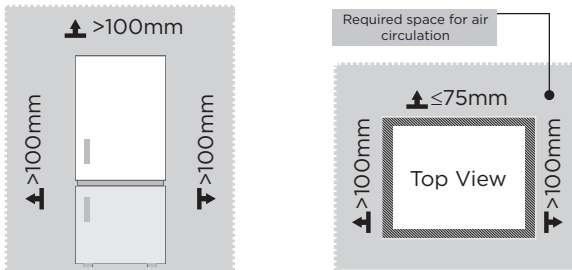
Effective temperature range

- The product is designed to operate normally in the temperature range specified by its class rating.

Class	Symbol	Ambient temperature range °C	
		IEC 62552 (ISO 15502)	ISO 8561
Extended temperate	SN	+ 10 to + 32	+ 10 to + 32
Temperate	N	+ 16 to + 32	+ 16 to + 32
Subtropical	ST	+ 16 to + 38	+ 18 to + 38
Tropical	T	+ 16 to + 43	+ 18 to + 43

Dimensions and Clearances

- Keep the air circulation free around the cabinet. When installing the unit, ensure 10cm of free space at both sides, 10cm at the top of the unit, and not more than 7.5cm at the rear of the unit.

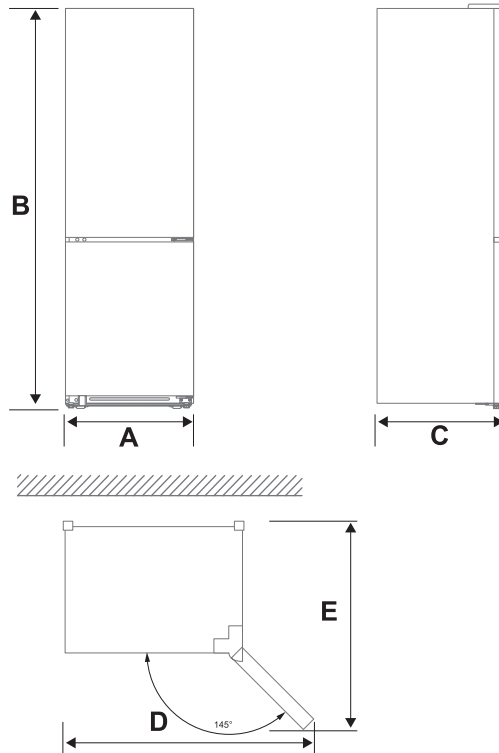


ATTENTION

The picture above is only for reference. The actual configuration will depend on the physical product or statement by the distributor.

Space requirement diagram (when the door is open and when the door is closed)

EN



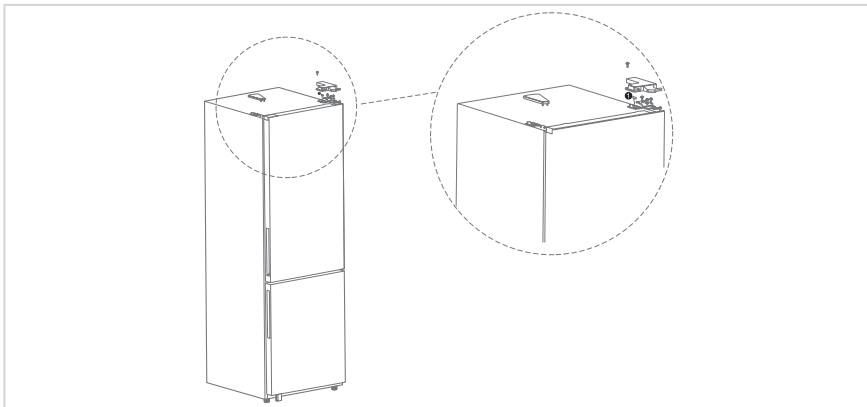
Model	Width	Overall Height	Depth	Width doors open 145°	Depth doors open 145°
	A	B	C	D	E
MDRB548MME*	595	1860	670	960	1070
MDRB600MME*	595	2010	670	960	1070

Notice: All dimensions in mm

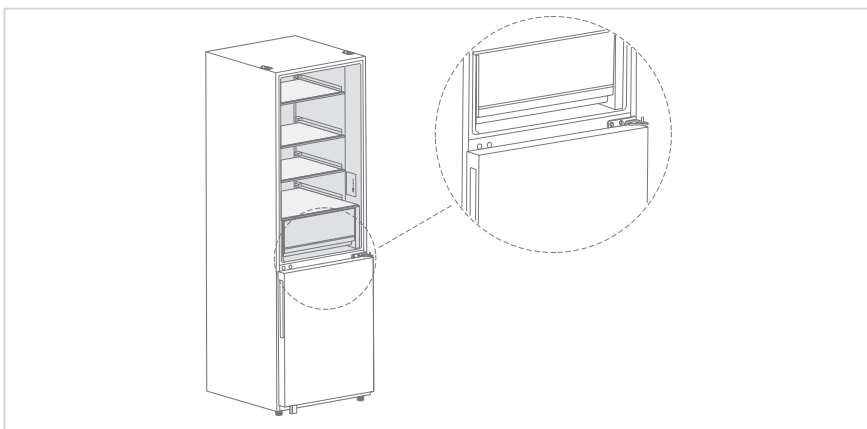
Door reversal

Based on the location where you plan to use your refrigerator, you may find it more convenient to reverse the position of the door.

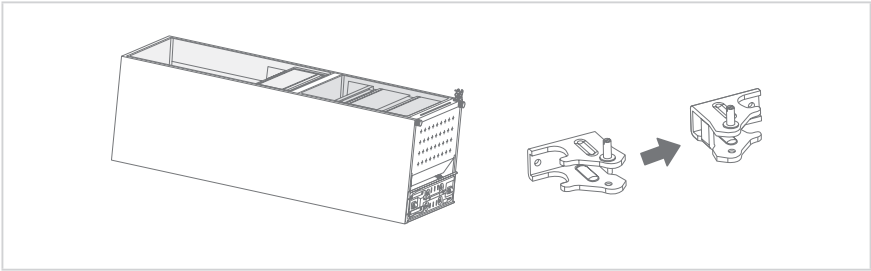
1. Remove the items from the door body.
2. Remove the upper left hinge cover decorative cover, upper right hinge cover, upper right hinge, disconnect the signal line on the top right side of the refrigerator's body (❶ signal line).



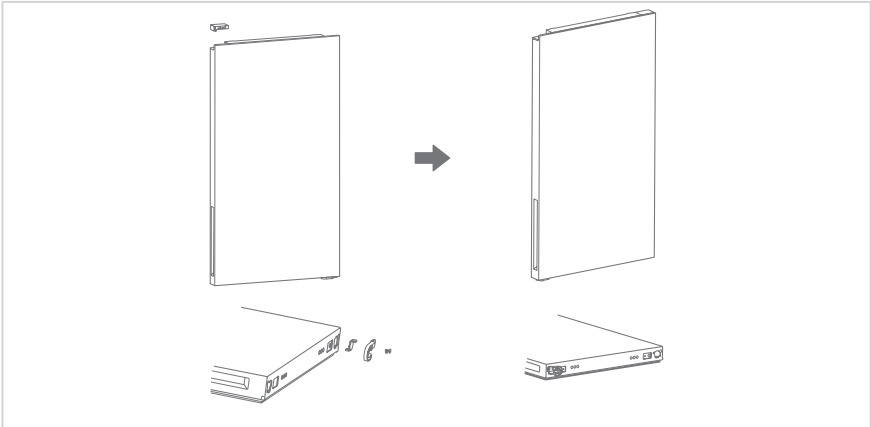
3. Remove the refrigeration door body (pay attention not to lose small parts such as door stoppers); Remove the middle hinge for backup use and remove the hinge hole decorative cover, cap, and screws on the other side.



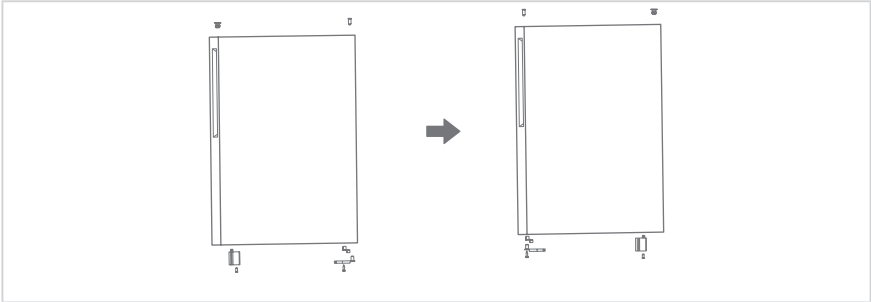
4. Remove the freezer door body (be careful not to lose small parts such as the shaft sleeves and door stoppers); Remove the lower hinge, remove the lower hinge shaft and install it on the other side of the hinge, remove the lower hinge, remove the lower hinge shaft and install it on the other side of the hinge for backup use.



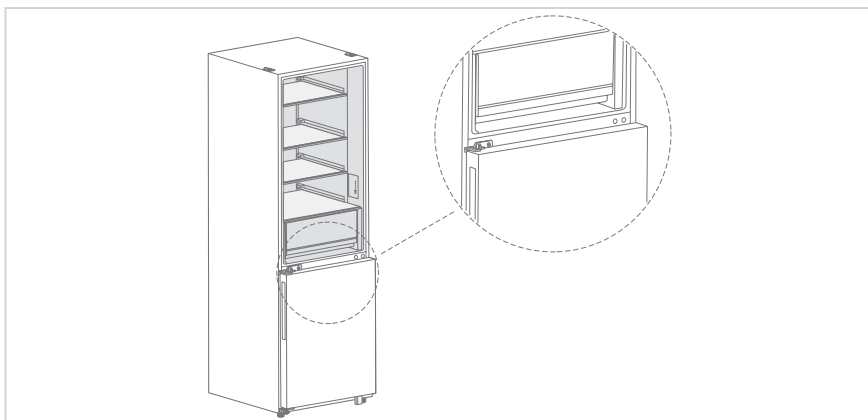
5. Refrigeration door replacement; Remove the left decorative cover, remove the right decorative cover from the accessory package and install it on the other side of the upper end cover; remove the refrigeration door self-locking, the door stop, remove the left door self-locking from the accessory package, and install the door stopper and the left door self-locking to the left side of the lower end cover in turn.



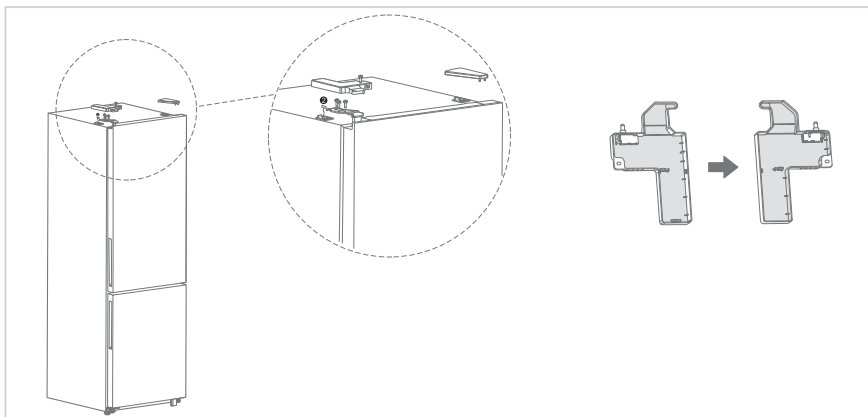
6. Freezer door switch; Remove the upper end cap sleeve of the freezer door, and install the cap in the left and right interchangeable positions; Remove the freezer door self-locking, the door stopper and the door support, remove the left door self-locking from the accessory package, install the door stopper and the left door self-locking to the left side of the freezer lower end cover in turn, and install the door support to the right side of the freezer lower end cover.



7. Install the middle hinge and install the refrigeration door on the middle hinge, then install the lower hinge and cover the hinge hole with a decorative cover.



8. Remove the left upper hinge cover from the accessory package, left upper hinge, remove the switch installed on the right hinge cover and install it on the left upper hinge cover; place the refrigeration door body on the middle hinge and install the left upper hinge; connect the top signal line ② on the left side of the refrigerator and the switch on the left hinge cover, cover and fix the left hinge cover, and finally install the hinge cover decorative cover to the right side of the refrigerator's body.



● ATTENTION

Due to technical changes and different models, some of the illustrations in this manual may differ from your model.

- Make sure that your refrigerator is unplugged and empty.
- Have someone available to assist you in the process.
- Keep all of the parts you remove to reuse them later.



Leveling feet

To avoid vibration, the unit must be leveled.

If required, adjust the leveling screws to compensate for the uneven floor.

The front should be slightly higher than the rear to aid in door closing.

Leveling screws can be turned easily by tipping the cabinet slightly.

Turn the leveling screws counterclockwise  to raise the unit, clockwise  to lower it.

EN

Moving the appliance

1. Remove all food from inside the appliance.
2. Pull the power plug out, insert and fix it into the power plug hook at the rear or on top of the appliance.
3. Tape parts such as shelves and the door handle to prevent from falling off while moving the appliance.
4. Move the appliance with more than two people carefully. When transporting the appliance over a long distance, keep the appliance upright.
5. After installing the appliance, connect the power plug into a socket out to switch on the appliance.

ATTENTION

Precautions before operation:

Before making changes the refrigerator must be disconnected from power.

Precautions should be taken to prevent any personal injury.

Changing the light

- Any replacement or maintenance of the LED lamps is intended to be made by the manufacturer, its service agent or similar qualified person.

ATTENTION

This product contains a light source of energy efficiency class (G).

Connecting the appliance

After installing the appliance, connect the power plug into a socket outlet.

ATTENTION

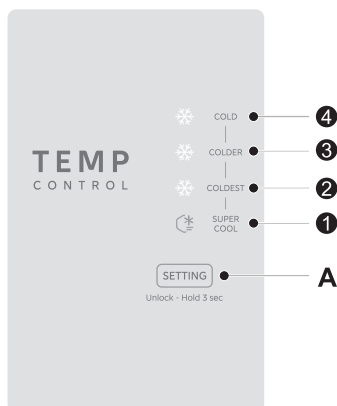
After connecting the power supply cord (or plug) to the outlet, wait 2 or 3 hours before you put food into the appliance. If you add food before the appliance has cooled completely, your food may spoil.

Tips for energy saving

- Do not place the appliance near cookers, radiators or other heat sources. If the ambient temperature is high, the compressor will run more frequently and for longer, resulting in increased energy consumption.
- Ensure that there is sufficient ventilation at the base of the appliance, on the sides of the appliance and at the back of the appliance. Never cover ventilation openings.
- Please also observe the spacing dimensions in the chapter “Installation”.
- The arrangement of drawers, shelves and racks as shown in the illustration offers the most efficient use of energy and should therefore be retained as far as possible. All drawers and shelves should remain in the appliance to keep the temperature stable and save energy.
- To obtain a larger storage space (e.g. for large refrigerated/frozen goods), the middle drawers can be removed. The top and bottom drawers and shelves should be removed last if necessary.
- An evenly filled refrigerator/freezer compartment contributes to optimal energy use. Therefore, avoid empty or half-empty compartments.
- Allow warm food to cool before placing it in the refrigerator/freezer. Food that has already cooled down increases energy efficiency.
- Allow frozen food to defrost in the refrigerator. The coldness of the frozen food reduces the energy consumption in the refrigerator compartment and thus increases the energy efficiency.
- Open the door only as briefly as necessary to minimise cold loss. Opening the door briefly and closing it properly reduces energy consumption.
- The door seals of your appliance must be perfectly intact so that the doors close properly and energy consumption is not increased unnecessarily.

OPERATION INSTRUCTIONS

Control panel



Button

A	Temperature setting button
---	----------------------------

Display screen

1	LED1 (SUPER COOL)
2	LED2 (2°C/COLDEST)
3	LED3 (4°C/COLDER)
4	LED4 (8°C/COLD)

Display

- When it is powered on for the first time, it will be fully displayed for 3 seconds, and then display normally; (set at 4°C gear for the first time).
- When a snag happens, it presents the snag code (in a cycle display mode). In a normal state, the fridge's set gear instead of a snag code is shown.
- Under normal circumstances, after 15 seconds of no key operation, the setting will take effect.

Lock and Unlock

- Press and hold for 3 seconds to unlock, the LED flashes to indicate that the unlock is successful, and the lock is automatically locked after 15 seconds without pressing the button.

ATTENTION

The actual control panel may differ from model to model.

Operating instructions

Gear setting

- Press the SETTING button once to change the temperature setting.
- Adjust by gear to: LED4 - > LED3 - > LED2 - > LED1 - > LED4

Quick-cooling mode

Mode entry:

- Press the temperature control key to light up LED1.

Mode operation:

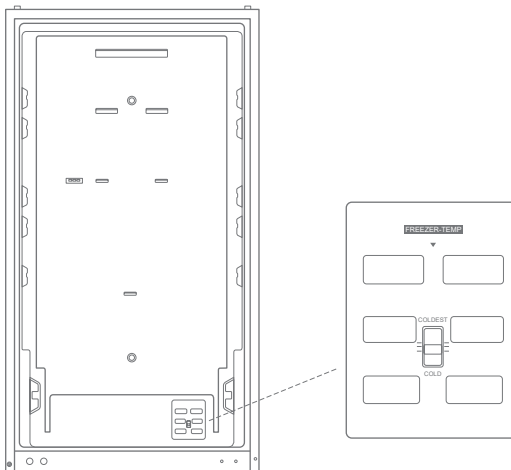
- The compressor operates at the maximum speed of the current ambient temperature.
- The fan is running at the current speed -1 gear (Priority is lower than overload).
- Run according to the start-stop point of the quick-cooling 2 degree gear, and do not defrost during the quick freezing period (except for power-on defrosting).
- Defrosting once after quickcooling exit.

Mode exit:

- Adjust the temperature to exit the quick-cooling mode.
- Exit after 16 hours of operation in quick-cooling mode.

Air Duct Paddle Adjustment

Turn the air damper slider up, the actual temperature inside the freezer room will drop; turn the air damper slide down, the actual temperature inside the freezer room will rise.



Error code

- The following warnings appearing on the display indicate corresponding faults of the refrigerator. Though the refrigerator may still have cooling and freezing function with the following faults, the user shall contact a maintenance specialist for maintenance, so as to ensure normal use of the refrigerator.

Fault Code	Fault Description
LED 1 and LED2 are flashing	Fault of the fridge's temperature sensor
LED 1 and LED3 are flashing	Fault of the freezer's defrosting sensor
LED 1 and LED4 are flashing	Ambient temperature sensor fault

EN

Tips on storing food

Freezer compartment

- The freezer is designated for the storage of food frozen at very low temperature, long-term storage of frozen food, and for the production of ice.
- Only use the shelves in the door of the freezer to store frozen food, not for storing hot food designated for freezing.
- Do not put fresh and frozen food next to each other. The frozen food may thaw.
- When freezing fresh food (such as meat, fish or chopped meat), cut them into parts that can be used at the same time.
- Storing frozen food: instructions are usually stated on the packages, which must be followed. If there is no information on the packaging, food should not be stored for longer than three months from the date of purchase.
- When purchasing frozen food, make sure that it was frozen at a suitable temperature and that the packaging is not damaged.
- Frozen food should be kept in suitable packages to retain the quality and should be returned to the freezer compartment as soon as possible.
- If a package of frozen food shows moisture or abnormal bulging, it is probable that it was stored at the wrong temperature and the content is spoiled.
- The storage period for frozen food depends on the room temperature, the thermostat setting, the frequency of opening the door of the freezer, the type of food and the time of transporting the product from the shop to the household. Always follow the instructions printed on the packaging and never exceed the maximum storage time stated on the package.

Cooling compartment

- To reduce moisture and subsequent ice build-up, never put liquid into the refrigerator in unsealed containers. Frost tends to concentrate in the coolest parts of the evaporator. Storing uncovered liquids results in a more frequent need for defrosting.
- Never put warm foods in the refrigerator. These should first cool down at room temperature and then be placed so as to ensure adequate air circulation in the refrigerator.
- Foods or food containers should not touch the back wall of the refrigerator because they could freeze to the wall. Do not keep regularly opening the door of the refrigerator.
- Meat and clean fish (packed in a package or plastic foil) can be placed in the refrigerator, which can be used in 1-2 days.
- Fruit and vegetables without packaging can be placed in the part designated for fresh fruit and vegetables.

ATTENTION

The optimal temperature setting of each compartment depends on the ambient temperature. Above optimal temperature is based on the ambient temperature of 25 °C.

Order	Compartments TYPE	Target storage temp. [°C]	Appropriate food
1	Fridge	$+2 \leq x \leq +8$	Eggs, cooked food, packaged food, fruits and vegetables, dairy products, cakes, drinks and other foods not suitable for freezing.
2	 Four-star rating frozen	$x \leq -18$	With freezing capacity, fast freezing speed, can quickly freeze and store food. Suitable for frozen fresh food such as seafood (fish, shrimp, shellfish), freshwater aquatic products and meat products. Recommended for 3 - 6 months, the longer the storage time, the worse the taste and nutrition.
3	 Three-star rating frozen	$x \leq -18$	With freezing capacity. Suitable for frozen fresh food such as seafood (fish, shrimp, shellfish), freshwater aquatic products and meat products. Recommended no more than 3 months.
4	 Two-star rating frozen	$x \leq -12$	Only suitable for medium-term storage of already frozen food, e.g. ice cream. Recommended no more than 1 month.
5	 One-star rating frozen	$x \leq -6$	Only suitable for refrigeration, and short-term storage of small quantities of already frozen food. Recommended no more than 1 week.
6	0-star	$-6 \leq x \leq 0$	Fresh pork, beef, fish, chicken, some packaged processed foods, etc. (Recommended to eat within the same day, preferably no more than 3 days). Partially encapsulated processed foods (non-freezable foods).
7	Chill	$-2 \leq x \leq +3$	Fresh/ frozen pork, beef, chicken, freshwater aquatic products, etc. (7 days below 0°C and above 0°C is recommended for consumption within that day, preferably no more than 2 days). Seafood less than 0 for 15 days, it is not recommended to store above 0°C.
8	Fresh food	$0 \leq x \leq +4$	Fresh pork, beef, fish, chicken, cooked food, etc. (Recommended to eat within the same day, preferably no more than 3 days)
9	Wine	$+5 \leq x \leq +20$	Red wine, white wine, sparkling wine, etc.

ATTENTION

please store different foods according to the compartments or target storage temperature of your purchased.

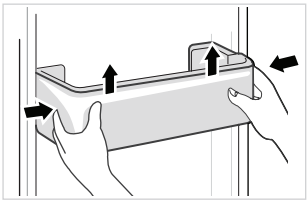
CLEANING AND MAINTENANCE

Defrosting

- The refrigerator is made based on the air-cooling principle and thus has automatic defrosting function. Frost formed due to change of season or temperature may also be manually removed by disconnection of the appliance from power supply or by wiping with a dry towel.

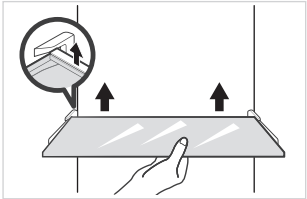
Cleaning of door tray

- According to the direction arrow in the figure below, use both hands to squeeze the tray, and push it upward, then you can take it out.
- After washing the tray having been taken out, you can adjust its installing height in accordance with your requirement.



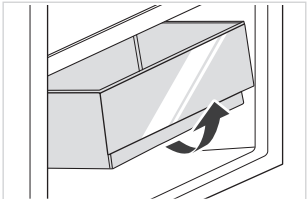
Cleaning of glass shelf

- As the innermost part of the refrigerator liner where contacting the shelves has a backstop, you shall raise the shelves upward, then you can be able to take it out.
- Adjust or clean the shelves according to your requirement.



Cleaning the vegetable drawer

1. Remove the contents of the drawer. Hold the handle of the vegetable drawer and pull it out completely until it stops.
2. Lift the vegetable drawer up and remove it by pulling it out.



● ATTENTION

Soft towels or sponge dipped in water and non-corrosive neutral detergents are suggested for cleaning. The freezer of shall be finally cleaned with clean water and dry cloth. Open the door for natural drying before the power is turned on. Do not use hard brushes, clean steel balls, wire brushes, abrasives, such as toothpastes, organic solvents (such as alcohol, acetone, banana oil, etc.), boiling water, acid or alkaline items clean refrigerator considering that this may damage the fridge surface and interior.

TROUBLESHOOTING

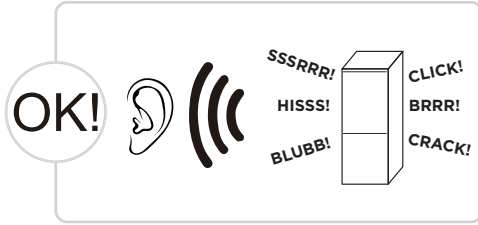
The following simple issues can be handled by the user. Please call the after-sale service department if the issues are not solved.

Problem	Possible reason
Failed operation	<ul style="list-style-type: none"> • Check whether the appliance is connected to power or whether the plug is in well contact
	<ul style="list-style-type: none"> • Check whether the voltage is too low
	<ul style="list-style-type: none"> • Check whether there is a power failure or partial circuits have tripped
Odor	<ul style="list-style-type: none"> • Odorous foods shall be tightly wrapped
	<ul style="list-style-type: none"> • Check whether there is any rotten food
	<ul style="list-style-type: none"> • Clean the inside of the refrigerator
Long-time operation of the compressor	<ul style="list-style-type: none"> • Long operation of the refrigerator is normal in summer when the ambient temperature is high
	<ul style="list-style-type: none"> • It is not suggestible having too much food in the appliance at the same time
	<ul style="list-style-type: none"> • Food shall get cool before being put into the appliance
	<ul style="list-style-type: none"> • The doors are opened too frequently
Light fails to get lit	<ul style="list-style-type: none"> • Check whether the refrigerator is connected to power supply and whether the illuminating light is damaged
	<ul style="list-style-type: none"> • Have the light replaced by a specialist
Door can not be properly closed	<ul style="list-style-type: none"> • The door is stuck by food packages
	<ul style="list-style-type: none"> • The refrigerator is tilted.
Loud noises	<ul style="list-style-type: none"> • Check whether the floor is level and whether the refrigerator is placed stably
	<ul style="list-style-type: none"> • Check whether accessories are placed at proper locations

EN

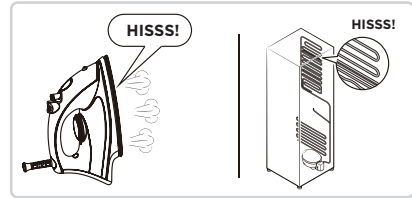
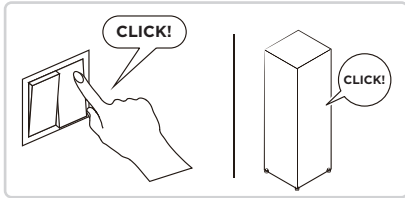
Problem	Possible reason
Door seal fails to be tight	<ul style="list-style-type: none"> • Remove foreign matters on the door seal • Heat the door seal and then cool it for restoration (or blow it with an electrical drier or use a hot towel for heating)
Water pan overflows	<ul style="list-style-type: none"> • There is too much food in the chamber or food stored contains too much water, resulting in heavy defrosting • The doors are not closed properly, resulting in frosting due to entry of air and increased water due to defrosting
Hot housing	<ul style="list-style-type: none"> • Heat dissipation of the built-in condenser via the housing, which is normal. When housing becomes hot due to high ambient temperature, storage of too much food or shutdown of the compressor is shut down, provide sound ventilation to facilitate heat dissipation
Surface condensation	<ul style="list-style-type: none"> • Condensation on the exterior surface and door seals of the refrigerator is normal when the ambient humidity is too high. Just wipe the condensate with a clean towel.
Abnormal noise	<ul style="list-style-type: none"> • Buzz: The compressor may produce buzzes during operation, and the buzzes are loud particularly upon start or stop. This is normal. • Creak: Refrigerant flowing inside of the appliance may produce creak, which is normal.

Do you hear these abnormal sounds as below? Usually these sounds are normal.



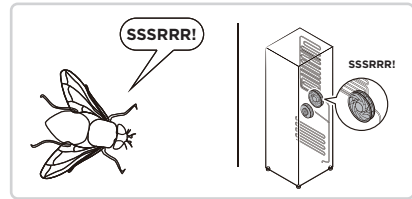
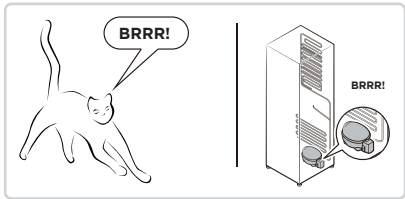
CLICK: Some electrical parts in the refrigerator, such as electric valve will make this noise when working. This is normal.

HISS: When the refrigerant flows into the evaporator, it will make this noise. This is normal.



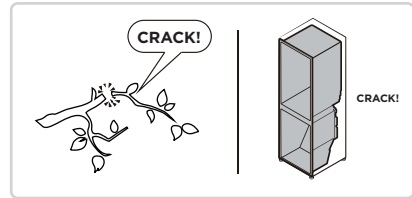
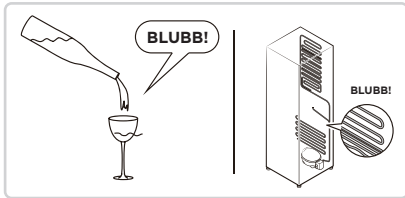
BRRR: The compressor will make this noise when working, and the buzzes are loud particularly upon start or stop. This is normal.

SSSRRR: The fan motor in the No frost refrigerator will make this noise when working. This is normal.



BLUBB: Refrigerant flowing through the pipes in the refrigerator will make this noise. This is normal.

CRACK: Cracking sound or broken ice sound: the overall structure of the refrigerator, air duct frost will be with the thermal expansion and contraction of the expansion sound, these are also normal physical phenomenon.



EN

APPENDIX

Special for new European standard

The ordered parts in the following table can be acquired from Service provider channel

Ordered part	Provided by	Minimum time required for Provision
Thermostats	Professional maintenance personnel	At least 7 years after the last model is launched on the market
Temperature sensors	Professional maintenance personnel	At least 7 years after the last model is launched on the market
Printed circuit boards	Professional maintenance personnel	At least 7 years after the last model is launched on the market
Light sources	Professional maintenance personnel	At least 7 years after the last model is launched on the market
Door handles	Professional repairers and final users	At least 7 years after the last model is launched on the market
Door hinges	Professional repairers and final users	At least 7 years after the last model is launched on the market
Trays	Professional repairers and final users	At least 7 years after the last model is launched on the market
Baskets	Professional repairers and final users	At least 7 years after the last model is launched on the market
Door gaskets	Professional repairers and final users	At least 10 years after the last model is launched on the market

Dear customer

1. If you want to return or replace the product, please contact the store where you buy.
(Remember to bring the purchase invoice)
2. If your product breaks down which needs to repair, please contact after-sales service provider.

ATTENTION

The model information in the product database, as well as the model identifier, can be obtained through a weblink scanned by a QR code, if any, on the energy efficiency label of the product.

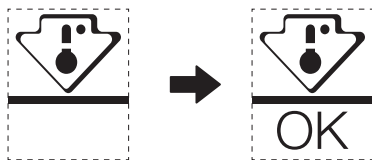
For more information about the energy efficiency of the appliance, visit <https://ec.europa.eu> and search using the model name.

The model name can be found on the rating label of the appliance.

Coldest zone in the refrigerator

OPTIONAL: OK-temperature indicator

- The OK-temperature indicator can be used to determine temperatures below +4°C. Gradually reduce the temperature if the sign does not indicate “OK”.



- To ensure the temperature in this area, do not change the positioning of the shelf. In forced air refrigerators (equipped with a fan or No Frost models), the symbol of the coldest zone is not represented because the temperature inside is homogeneous.

Temperature indicator setting

- To help you set your refrigerator well, it is equipped with a temperature indicator that will monitor the average temperature in the coldest zone.
- **WARNING:** This indicator is intended to work only with your refrigerator, do not use it in another refrigerator (in fact, the coldest zone is not the same), or for any other use.

Checking the temperature in the coldest zone

- With the temperature indicator, you can check regularly that the temperature of the coldest zone is correct. Indeed, the internal temperature of the refrigerator depends on several factors such as the ambient temperature of the room, the amount of food stored and the frequency of door opening. Take these factors into consideration when setting the device.
- When the indicator shows « OK », this means that your thermostat is well adjusted and the internal temperature correct.
- If the indicator of temperature turns WHITE, this means that the temperature is too high; in this case, increase the refrigerator temperature control setting and wait for 12 hours before performing a new visual inspection of the indicator. When fresh food has been introduced or the door has been left open, it is possible for the indicator of temperature to turn WHITE after a while.

VIELEN DANK

Vielen Dank, dass Sie sich für Midea entschieden haben! Bevor Sie Ihr neues Midea-Produkt in Betrieb nehmen, lesen Sie bitte dieses Handbuch aufmerksam durch, damit Sie wissen, wie Sie die Funktionen Ihres neuen Geräts auf sichere Weise nutzen können.

INHALTSVERZEICHNIS

DE

VIELEN DANK	01
SPEZIFIKATION	02
PRODUKTÜBERSICHT	03
INSTALLATION	05
BEDIENUNGSHINWEISE	13
REINIGUNG UND PFLEGE	18
FEHLERSUCHE	19
ANHANG	22

SPEZIFIKATION

Produktmodell	MDRB548MME*
Nennspannung/-frequenz	220 - 240 V~/50 Hz
Nennstrom	1,4 A
Gesamtvolumen	401 L
Fassungsvermögen des Frischkostfaches	271 L
Volumen Vier-Sterne-Fach	130 L
Gefrierkapazität	8,0 kg/24 Std.
Temperaturanstiegszeit	8 Std.
Abmessungen (B x T x H)	595x670x1860 mm

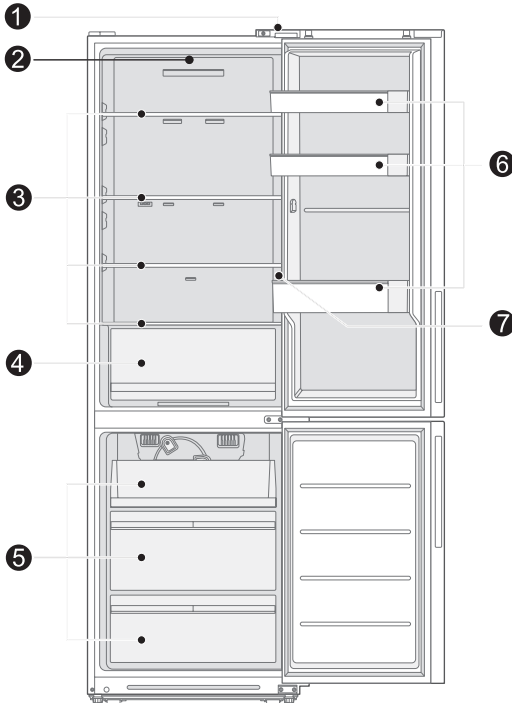
Produktmodell	MDRB600MME*
Nennspannung/-frequenz	220 - 240 V~/50 Hz
Nennstrom	1,4 A
Gesamtvolumen	443 L
Fassungsvermögen des Frischkostfaches	313 L
Volumen Vier-Sterne-Fach	130 L
Gefrierkapazität	8,0 kg/24 Std.
Temperaturanstiegszeit	8 Std.
Abmessungen (B x T x H)	595x670x2010 mm

DE

PRODUKTÜBERSICHT

Komponenten

MDRB548MME*



- | | | | |
|---|----------------------|---|------------|
| 1 | Türschalter | 5 | Schubfach |
| 2 | LED-Licht | 6 | Türablage |
| 3 | Ablagefach | 7 | Bedienfeld |
| 4 | Obst- und Gemüsefach | | |

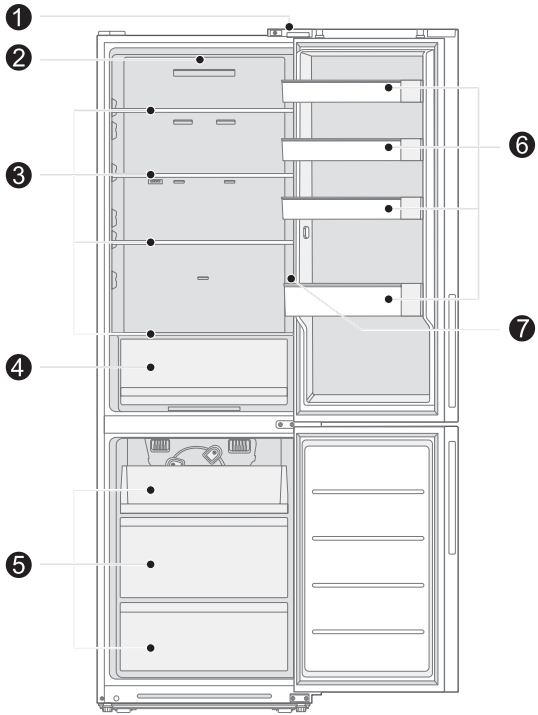
ACHTUNG

Die vorstehende Abbildung dient lediglich als Referenz. Die vorhandene Konfiguration ist vom tatsächlichen Produkt oder den Angaben des Lieferanten abhängig.

DE

MDRB600ME*

DE



- | | | | |
|---|----------------------|---|------------|
| 1 | Türschalter | 5 | Schubfach |
| 2 | LED-Licht | 6 | Türablage |
| 3 | Ablagefach | 7 | Bedienfeld |
| 4 | Obst- und Gemüsefach | | |

ACHTUNG

Die vorstehende Abbildung dient lediglich als Referenz. Die vorhandene Konfiguration ist vom tatsächlichen Produkt oder den Angaben des Lieferanten abhängig.

INSTALLATION

Installationsanleitung

Für Kühlgeräte mit Klimaklasse

- In Abhängigkeit von der Klimaklasse ist diese Gefriertruhe für den Einsatz in dem Temperaturbereich bestimmt, der in nachstehender Tabelle angegeben ist.
- Die Klimaklasse finden Sie auf dem Typenschild. Außerhalb des angegebenen Temperaturbereiches arbeitet das Gerät u. U. nicht ordnungsgemäß.
- Die Klimaklasse finden Sie auf dem Etikett des Produkts.

DE

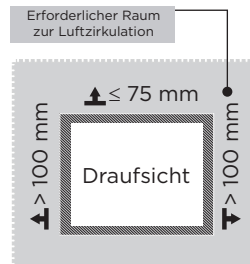
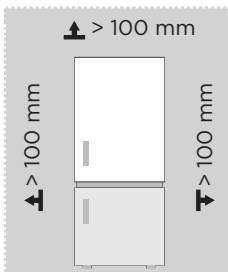
Effektiver Temperaturbereich

- Das Produkt wurde entwickelt, um in dem bei seiner Klimaklasse angegebenen Temperaturbereich normal zu arbeiten.

Klasse	Symbol	Umgebungstemperaturbereich °C	
		IEC 62552 (ISO 15502)	ISO 8561
Kaltgemäßigt	SN	+10 bis +32	+10 bis +32
Kühlgemäßigt	N	+16 bis +32	+16 bis +32
Subtropisch	ST	+16 bis +38	+18 bis +38
Tropisch	T	+16 bis +43	+18 bis +43

Abmessungen und Abstände

- Sorgen Sie für gute Luftzirkulation rund um das Gehäuse. Stellen Sie bei Installation des Gerätes 10 cm Freiraum an beiden Seiten, 10 cm an der Oberseite des Gerätes und nicht mehr als 7,5 cm an der Rückseite des Gerätes sicher.

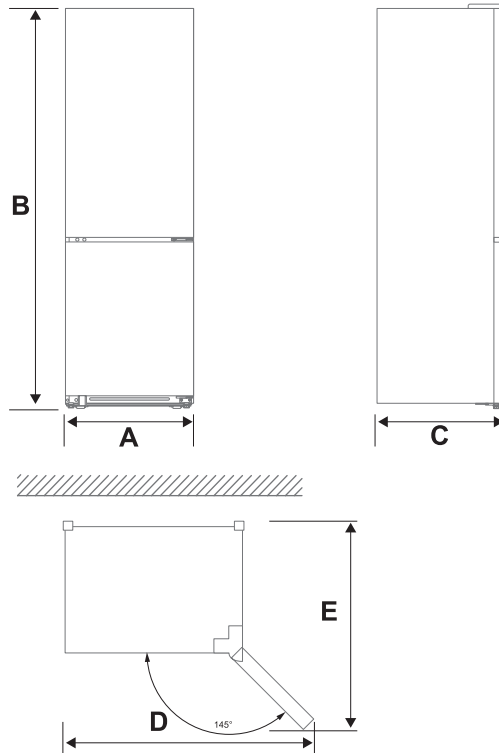


ATTENTION

Die vorstehende Abbildung dient lediglich als Referenz. Die vorhandene Konfiguration ist vom tatsächlichen Produkt oder den Angaben des Lieferanten abhängig.

Platzbedarf (bei geöffneter und bei geschlossener Tür)

DE



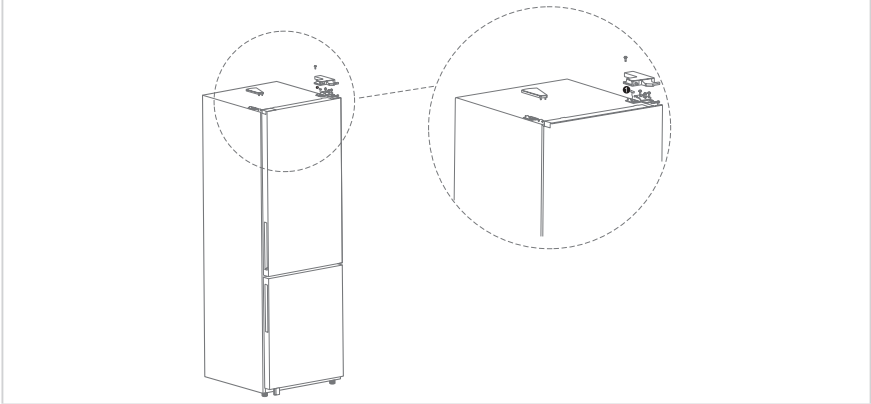
Modell	Breite	Gesamthöhe	Tiefe	Breite bei zu 145° geöffneten Tür	Tiefe bei zu 145° geöffneten Türen
	A	B	C	D	E
MDRB548MME*	595	1860	670	960	1070
MDRB600MME*	595	2010	670	960	1070

Hinweis: Alle Abmessungen in mm

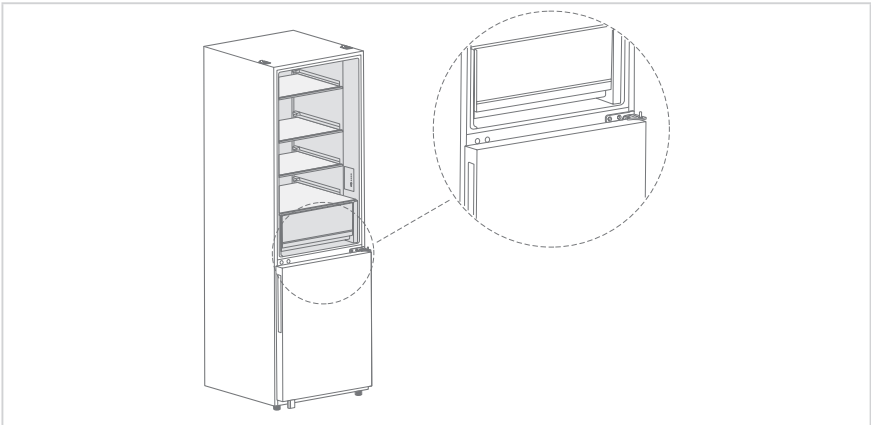
Tür umsetzen

Je nach dem Ort, an dem Sie Ihren Kühlschrank verwenden möchten, kann es für Sie von Vorteil sein, den Türanschlag zu wechseln.

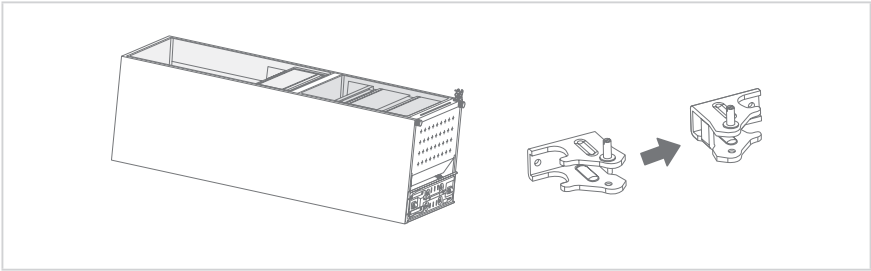
1. Entfernen Sie die Gegenstände vom Türkörper.
2. Entfernen Sie die dekorative Abdeckung der oberen linken Scharnierabdeckung, die obere rechte Scharnierabdeckung, das obere rechte Scharnier und trennen Sie die Signalleitung an der oberen rechten Seite des Kühlschranks (① Signalleitung).



3. Entfernen Sie den Kühltürkörper (achten Sie darauf, dass keine Kleinteile wie Türstopper verloren gehen). Entfernen Sie das mittlere Scharnier für den Backup-Einsatz und entfernen Sie die dekorative Abdeckung, die Kappe und die Schrauben des Scharnierlochs auf der anderen Seite.

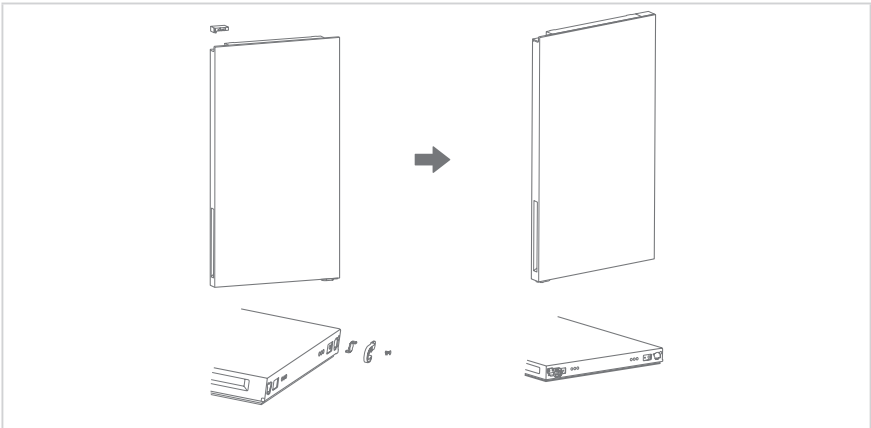


4. Entfernen Sie den Gefriertürkörper (achten Sie darauf, dass keine kleinen Teile wie die Wellenhülsen und Türstopper verloren gehen). Entfernen Sie das untere Scharnier, entfernen Sie die untere Scharnierwelle und installieren Sie sie auf der anderen Seite des Scharniers, entfernen Sie das untere Scharnier, entfernen Sie die untere Scharnierwelle und installieren Sie sie auf der anderen Seite des Scharniers für den Backup-Einsatz.

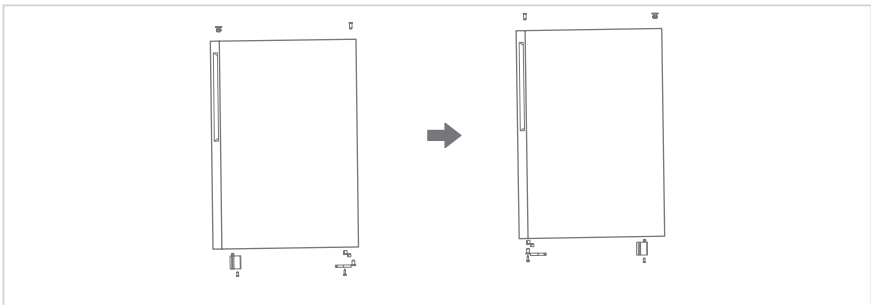


DE

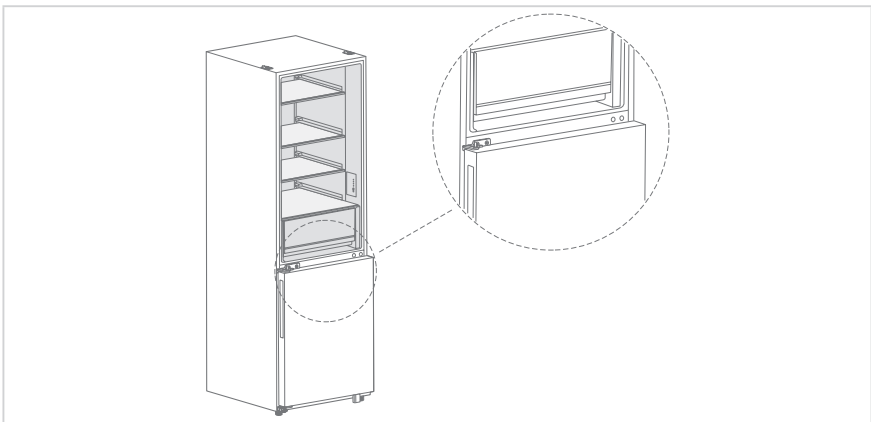
5. Austausch der Kühltür; Entfernen Sie die linke dekorative Abdeckung, entfernen Sie die rechte dekorative Abdeckung aus dem Zubehöropaket und montieren Sie diese an der gegenüberliegenden Seite der oberen Endabdeckung. Entfernen Sie die Selbstverriegelung der Kühltür und den Türstopper. Entfernen Sie die linke Selbstverriegelung der Tür aus dem Zubehöropaket und montieren Sie wiederum den Türstopper und die linke Selbstverriegelung der Tür an der linken Seite der unteren Endabdeckung.



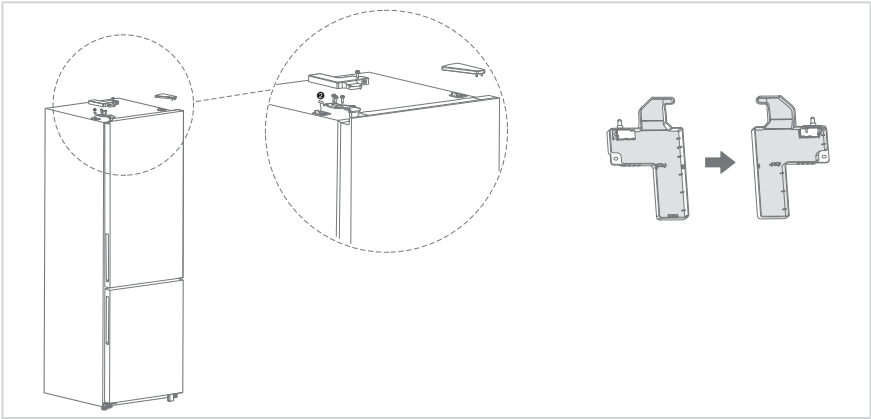
6. Wechsel des Türanschlags am Gefrierschrank; Entfernen Sie die obere Endkappenabdeckung der Gefrierschranktür und montieren Sie sie in der jeweils austauschbaren linken und rechten Position. Entfernen Sie von der Gefrierschranktür die Selbstverriegelung, den Türstopper und die Türstütze. Entnehmen Sie die linke Selbstverriegelung aus dem Zubehöropaket. Montieren Sie an der linken Seite der unteren Abdeckung des Gefrierschranks nacheinander den Türstopper und die linke Selbstverriegelung. Befestigen Sie die Türstütze an der rechten Seite der unteren Endabdeckung des Gefriergeräts.



7. Montieren Sie das mittlere Scharnier und hängen Sie die Kühlschranktür darin ein. Befestigen Sie anschließend das untere Scharnier und decken Sie das Scharnierloch mit der Zierabdeckung ab.



8. Entnehmen Sie die linke obere Scharnierabdeckung und das linke obere Scharnier aus dem Zubehörpaket. Entfernen Sie den Schalter von der rechten Scharnierabdeckung und montieren Sie ihn an der linken oberen Scharnierabdeckung. Setzen Sie die Kühlschranktür auf das mittlere Scharnier und installieren Sie das linke obere Scharnier. Verbinden Sie die obere Signalleitung ② an der linken Seite des Kühlschranks mit dem Schalter an der linken Scharnierabdeckung. Bringen Sie die linke Scharnierabdeckung an und befestigen Sie sie. Montieren Sie abschließend die dekorative Abdeckung der Scharnierabdeckung an der rechten Seite des Kühlschrankgehäuses.

**💡 ATTENTION**

Aufgrund technischer Änderungen und unterschiedlicher Modelle können einige der Abbildungen in diesem Handbuch von Ihrem Modell abweichen.

- Achten Sie darauf, dass Ihr Kühlschrank vom Stromnetz getrennt und geleert ist.
- Lassen Sie sich von einer anderen Person helfen.
- Bewahren Sie alle Teile, die Sie entfernen, zur künftigen Verwendung auf.

Nivellierfüße

Um Vibrationen zu vermeiden, muss das Gerät waagrecht ausgerichtet werden. Falls erforderlich, passen Sie die Nivellierschrauben an, um Bodenunebenheiten auszugleichen.

Die Vorderseite sollte etwas höher sein als die Rückseite, um das Schließen der Tür zu erleichtern.

Nivellierschrauben können mühelos gedreht werden, indem Sie den Schrank leicht ankippen.

Drehen Sie die Nivellierschrauben gegen den Uhrzeigersinn , um das Gerät anzuheben, und im Uhrzeigersinn , um es abzusenken.

Bewegen des Geräts

1. Entfernen Sie sämtliche Lebensmittel aus dem Gerät.
2. Ziehen Sie den Netzstecker und stecken Sie ihn in den Netzsteckerhaken an der Rück- oder Oberseite des Gerätes.
3. Kleben Sie Teile wie Ablagen und Türgriff fest, damit sie beim Bewegen des Geräts nicht herunterfallen.
4. Bewegen Sie das Gerät vorsichtig mit mehr als zwei Personen. Halten Sie das Gerät beim Transport über weite Strecken aufrecht.
5. Schließen Sie den Netzstecker nach Installation des Gerätes an eine Steckdose an, um das Gerät einzuschalten.

ATTENTION

Sicherheitsmaßnahmen vor der Inbetriebnahme:

Vor der Durchführung von Änderungen muss der Kühlschrank vom Stromnetz getrennt werden.

Es müssen Vorsichtsmaßnahmen getroffen werden, um Verletzungen zu vermeiden.

Leuchtmittel austauschen

- Der Austausch oder die Wartung aller LED-Lampen muss vom Hersteller, seinem Kundendienst oder einer ähnlich qualifizierten Person durchgeführt werden.

ATTENTION

Dieses Produkt enthält eine Lichtquelle der Energieeffizienzklasse (G).

Gerät anschließen

Schließen Sie nach Installation des Gerätes den Netzstecker an eine Steckdose an.

ATTENTION

Warten Sie nach Anschluss des Netzkabels (oder Steckers) an eine Steckdose 2 oder 3 Stunden, bevor Sie Lebensmittel in das Gerät geben. Wenn Sie Lebensmittel hineingeben, bevor sich das Gerät vollständig herabgekühlt hat, könnten Ihre Lebensmittel verderben.

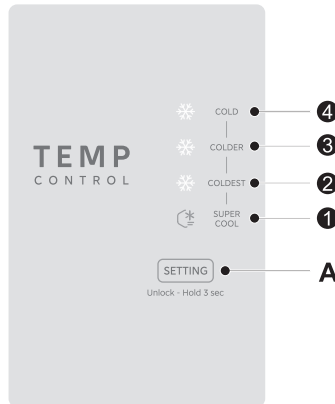
Tipps zum Energiesparen

- Stellen Sie das Gerät nicht in der Nähe von Herden, Heizkörpern oder anderen Wärmequellen auf. Wenn die Umgebungstemperatur hoch ist, läuft der Kompressor häufiger und länger, was zu einem höheren Energieverbrauch führt.
- Gewährleisten Sie eine ausreichende Belüftung an der Unterseite, den Seiten und der Rückseite des Geräts. Decken Sie die Lüftungsöffnungen keinesfalls ab.
- Bitte beachten Sie auch die Abstandsmaße im Kapitel „Installation“.
- Die Anordnung der Schubladen, Einlegeböden und Regale, wie in der Abbildung gezeigt, bietet die effizienteste Energienutzung und sollte daher so weit wie möglich beibehalten werden. Alle Schubladen und Einlegeböden sollten im Gerät verbleiben, um die Temperatur stabil zu halten und Energie zu sparen.
- Um einen größeren Stauraum zu erhalten (z.B. für großes Kühl-/Gefriergut), können die mittleren Schubladen herausgenommen werden. Die oberen und unteren Schubladen und Einlegeböden sollten bei Bedarf zuletzt herausgenommen werden.
- Ein gleichmäßig gefülltes Kühl-/Gefrierabteil trägt zu einer optimalen Energienutzung bei. Vermeiden Sie daher leere oder halbleere Fächer.
- Lassen Sie warme Lebensmittel abkühlen, bevor Sie sie in den Kühl-/Gefrierschrank stellen. Bereits abgekühlte Lebensmittel erhöhen die Energieeffizienz.
- Lassen Sie gefrorene Lebensmittel im Kühlschrank auftauen. Die Kälte der gefrorenen Lebensmittel reduziert den Energieverbrauch im Kühlabteil und erhöht somit die Energieeffizienz.
- Öffnen Sie die Tür nur so kurz wie nötig, um den Kälteverlust zu minimieren. Wenn Sie die Tür nur kurz öffnen und wieder richtig schließen, verringert sich der Energieverbrauch.
- Die Türdichtungen Ihres Geräts müssen vollkommen intakt sein, damit die Türen ordnungsgemäß schließen und der Energieverbrauch nicht unnötig erhöht wird.

BEDIENUNGSHINWEISE

DE

Bedienfeld



Taste

A	Taste für die Temperatureinstellung
---	-------------------------------------

Displayanzeige

1	LED 1 (EXTREM KALT)
2	LED 2 (2 °C/AM KÄLTESTEN)
3	LED 3 (4 °C/KÄLTER)
4	LED 4 (8 °C/KALT)

Display

- Bei der ersten Inbetriebnahme leuchten alle Anzeigen für 3 Sekunden vollständig auf. Danach wechselt das Gerät in den normalen Anzeigemodus. (Bei der Erstinbetriebnahme ist die Temperatur auf Stufe 4 °C voreingestellt).
- Wenn ein Haken auftritt, wird der Hakencode angezeigt (in einem Zyklusanzeigemodus). In einem normalen Zustand wird die eingestellte Ausrüstung des Kühlschranks anstelle eines Hakencodes angezeigt.
- Unter normalen Umständen wird die Einstellung nach 15 Sekunden ohne Tastenbetätigung wirksam.

Sperrern und Entsperren

- Halten Sie die Taste 3 Sekunden lang gedrückt, um die Sperre aufzuheben. Ein Blinken der LED-Anzeige signalisiert die erfolgreiche Entspernung. Wird innerhalb von 15 Sekunden keine weitere Taste betätigt, aktiviert sich die Sperre automatisch wieder.

⚠ ACHTUNG

Das tatsächliche Bedienfeld kann sich von Modell zu Modell unterscheiden.

Betriebsanleitung

Stufeneinstellung

- Drücken Sie die SETTING-TASTE einmal, um die Temperatureinstellung zu ändern.
- Nach Stufe einstellen auf: LED 4 -> LED 3 -> LED 2 -> LED 1 -> LED 4

Schnellkühlmodus

Moduseintrag:

- Drücken Sie die Temperaturreglertaste, um die LED1 zu leuchten.

Modusbetrieb:

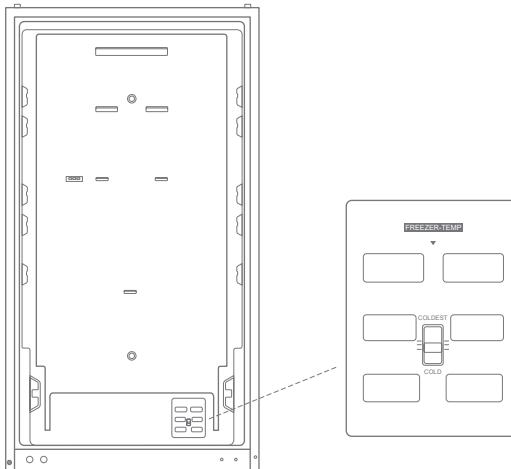
- Der Kompressor funktioniert mit der maximalen Drehzahl der aktuellen Umgebungstemperatur.
- Der Lüfter läuft mit der aktuellen Geschwindigkeit -1 Stufe (Priorität ist niedriger als Überlast).
- Laufen Sie entsprechend dem Start-Stopp-Punkt der 2-Grad-Schnellkühlstufe und tauen Sie während der Schnellgefrierzeit nicht auf (außer beim Einschalten der Abtauung).
- Einmaliges Auftauen nach Schnellkühlungsausgang.

Modus Exit:

- Stellen Sie die Temperatur ein, um den Schnellkühlmodus zu verlassen.
- Verlassen Sie nach 16 Betriebsstunden im Schnellkühlmodus.

Luftkanal-Paddel-Einstellung

Bewegen Sie den Schieber der Luftklappe nach oben, sinkt die tatsächliche Temperatur im Gefrierraum. Bewegen Sie den Schieber der Luftklappe nach unten, steigt die tatsächliche Temperatur im Gefrierraum.



Fehlercode

- Die auf dem Display angezeigten Warnungen weisen Sie auf Fehler des Kühlschranks hin. Auch wenn der Kühlschrank noch seine Kühl- oder Gefrierfunktion besitzt, müssen Sie sich beim Auftreten eines Fehlers mit einem/-r Servicetechniker/-in zwecks Wartung/Instandsetzung in Verbindung setzen, um den optimierten Betrieb des Kühlschranks sicherstellen zu können.

Fehlercode	Fehlerbeschreibung
LED 1 und LED 2 blinken	Fehler des Temperatursensors des Kühlschranks
LED 1 und LED 3 blinken	Fehler des Abtau-Sensors des Gefrierschranks
LED 1 und LED 4 blinken	Fehler des Umgebungstemperatursensors

Tipps zur Einlagerung von Lebensmitteln

Gefrierbereich


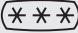


- Das Gefrierabteil ist zur Aufbewahrung von tiefgefrorenen Lebensmitteln, zur langfristigen Lagerung von Tiefkühlkost und die Herstellung von Eis bestimmt.
- Verwenden Sie die Ablagen in der Tür des Gefrierabteils nur zur Aufbewahrung von gefrorenen Lebensmitteln, nicht zur Aufbewahrung von heißen Lebensmitteln, die zum Einfrieren bestimmt sind.
- Legen Sie frische und gefrorene Lebensmittel nicht nebeneinander. Die gefrorenen Lebensmittel können auftauen.
- Wenn Sie frische Lebensmittel (wie Fleisch, Fisch oder Hackfleisch) einfrieren, schneiden Sie sie in Teile, die gleichzeitig verwendet werden.
- Lagerung von Tiefkühlkost: Auf den Verpackungen sind in der Regel Anweisungen angegeben, die Sie unbedingt befolgen sollten. Wenn keine Angaben auf der Verpackung zu finden sind, sollten die Lebensmittel nicht länger als drei Monate nach Kaufdatum aufbewahrt werden.
- Achten Sie beim Kauf von Tiefkühlkost darauf, dass sie bei einer geeigneten Temperatur eingefroren wurde und die Verpackung nicht beschädigt ist.
- Gefrorene Lebensmittel sollten in geeigneten Verpackungen aufbewahrt werden, um die Qualität zu erhalten, und sollten so schnell wie möglich wieder in das Gefrierabteil zurückgelegt werden.
- Wenn eine Packung mit gefrorenen Lebensmitteln Feuchtigkeit oder eine anormale Ausbeulung aufweist, wurde sie wahrscheinlich bei der falschen Temperatur gelagert und der Inhalt ist verdorben.
- Die Aufbewahrungsdauer für gefrorene Lebensmittel hängt von der Raumtemperatur, der Einstellung des Thermostats, der Häufigkeit des Öffnens der Gefrierschranktür, der Art der Lebensmittel und der Dauer des Transports des Produkts vom Geschäft zum Haushalt ab. Befolgen Sie stets die auf der Verpackung aufgedruckten Anweisungen und überschreiten Sie niemals die auf der Verpackung angegebene maximale Lagerzeit.

Gefrierfach

- Um Feuchtigkeit und anschließende Eisbildung zu vermeiden, sollten Sie niemals Flüssigkeiten in unverschlossenen Behältern in den Kühlschrank stellen. Frost neigt dazu, sich an den kältesten Stellen des Verdampfers zu sammeln. Wenn Sie Flüssigkeiten unverschlossen aufbewahren, müssen Sie häufiger abtauen.
- Geben Sie niemals warme Lebensmittel in den Kühlschrank. Diese sollten zunächst auf Zimmertemperatur abkühlen und dann so platziert werden, dass eine ausreichende Luftzirkulation im Kühlschrank gewährleistet ist.
- Lebensmittel oder Lebensmittelbehälter sollten nicht die Rückwand des Kühlschranks berühren, da sie an der Wand festfrieren können. Öffnen Sie die Tür des Kühlschranks nicht regelmäßig.
- Fleisch und sauberer Fisch (in einem Paket oder in Plastikfolie verpackt) können in den Kühlschrank gestellt und innerhalb von 1 - 2 Tagen verbraucht werden.
- Obst und Gemüse ohne Verpackung können Sie in das für frisches Obst und Gemüse vorgesehene Fach legen.

ATTENTION

Die optimale Temperatureinstellung der einzelnen Fächer hängt von der Umgebungstemperatur ab. Die oben genannte optimale Temperatur basiert auf einer Umgebungstemperatur von 25 °C.

Bestellung	Fächer TYP	Angestrebte Lagertemperatur. [°C]	Geeignete Lebensmittel
1	Kühlschrank	$+2 \leq x \leq +8$	Eier, zubereitete Speisen, verpackte Lebensmittel, Obst und Gemüse, Milchprodukte, Kuchen, Getränke und andere Lebensmittel eignen sich nicht als Gefrierkost.
2	 Vier-Sterne-Gefrierfach	$x \leq -18$	Mit Gefrierkapazität und schneller Gefriergeschwindigkeit können Sie schnell Lebensmittel einfrieren und lagern. Geeignet für gefrorene frische Lebensmittel wie Meeresfrüchte (Fisch, Garnelen, Schalentiere), Süßwasser- und Fleischprodukte. Empfohlen für 3 - 6 Monate, je länger die Lagerzeit, desto schlechter werden Geschmack und Nährwert.
3	 Drei-Sterne-Gefrierfach	$x \leq -18$	Mit Gefrierkapazität. Geeignet für gefrorene frische Lebensmittel wie Meeresfrüchte (Fisch, Garnelen, Schalentiere), Süßwasser- und Fleischprodukte. Empfohlen nicht länger als 3 Monate.
4	 Zwei-Sterne-Gefrierfach	$x \leq -12$	Nur zur mittelfristigen Lagerung von bereits gefrorenen Lebensmitteln geeignet, z. B. Eiscreme. Empfohlen nicht länger als 1 Monat.
5	 Ein-Sterne-Gefrierfach	$x \leq -6$	Nur zur Kühlung und die kurzfristige Lagerung kleiner Mengen bereits gefrorener Lebensmittel geeignet. Empfohlen nicht länger als 1 Woche.
6	0 Sterne	$-6 \leq x \leq 0$	Frisches Schweine-, Rind- und Hühnerfleisch, Fisch, einige verpackte verarbeitete Lebensmittel usw. (wir empfehlen, diese am selben Tag zu verzehren, vorzugsweise nicht später als nach 3 Tagen). Teilweise eingekapselte verarbeitete Lebensmittel (nicht gefrierbare Lebensmittel).
7	Kühlen	$-2 \leq x \leq +3$	Frisches / gefrorenes Schweine-, Rind- und Hühnerfleisch, Süßwasserprodukte, usw. (7 Tage unter 0 °C und über 0 °C wird für den Verzehr am selben Tages empfohlen, vorzugsweise nicht später als nach 2 Tagen). Meeresfrüchte (weniger als 0 für 15 Tage, es wird nicht empfohlen, sie über 0 °C zu lagern).
8	Friskost	$0 \leq x \leq +4$	Frisches Schweine-, Rind- und Hühnerfleisch, Fisch, gekochte, Lebensmittel usw. (Es wird empfohlen, diese am selben Tag zu verzehren, vorzugsweise nicht später als nach 3 Tagen)
9	Wein	$+5 \leq x \leq +20$	Rotwein, Weißwein, Sekt, usw.

● ATTENTION

Bitte lagern Sie verschiedene Lebensmittel in den entsprechenden Fächern oder der angestrebten Lagertemperatur Ihres Einkaufs.

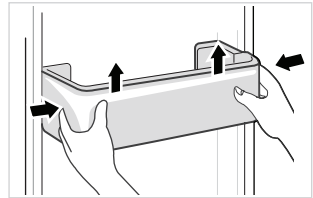
REINIGUNG UND PFLEGE

Abtauen

- Der Kühlschrank arbeitet nach dem Luftkühlungsprinzip und besitzt somit auch eine automatische Abtaufunktion. Sie können aber den Frost auch manuell entfernen, der sich aufgrund von Jahreszeitenwechsel oder Temperaturschwankungen bildet. Trennen Sie hierfür das Gerät vom Stromnetz oder wischen Sie ihn mit einem trockenen Handtuch weg.

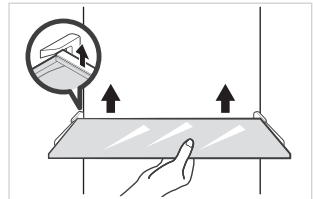
Reinigung der Türablage

- Drücken Sie die Ablage mit beiden Händen wie durch die Pfeile in nachstehender Abbildung angegeben zusammen und drücken Sie sie anschließend nach oben. Anschließend können Sie die Ablage herausnehmen.
- Reinigen Sie die Ablage gründlich und setzen Sie sie dann in der gewünschten Höhe wieder ein.



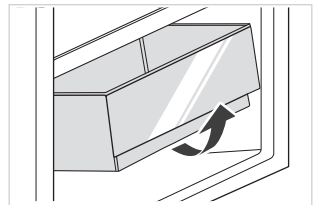
Reinigen der Glasablage

- Heben Sie die Ablagen an der hinteren Seite der Glasablage dort an, wo die Sicherung der Glasablage in der Halterung liegt und nehmen Sie anschließend die Glasablage heraus.
- Reinigen Sie die Glasablage und setzen Sie sie anschließend in der gewünschten Höhe wieder ein.



Reinigung der Gemüseschublade

1. Nehmen Sie den Inhalt des Schubfachs heraus. Halten Sie die Gemüseschublade am Griff fest und ziehen Sie sie vollständig bis zum Anschlag heraus.
2. Heben Sie die Gemüseschublade an und ziehen Sie sie heraus.



⚠ ATTENTION

Für die Reinigung werden weiche Handtücher oder Schwämme empfohlen, die in Wasser mit nichtkorrosivem neutralem Reinigungsmittel getippt worden sind. Das Gefrierschubfach müssen Sie anschließend mit klarem Wasser abspülen und mit einem trockenen Tuch gründlich trocknen. Öffnen Sie die Türen, um den Kühlbereich auf natürliche Weise trocken zu lassen, bevor Sie den Kühlschrank wieder in Betrieb nehmen. Benutzen Sie für die Reinigung des Kühlschranks keine harten Bürsten, Stahltopfreiniger, Drahtbürsten, Scheuermittel wie beispielsweise Zahnpasta, organische Reinigungsmittel (wie Alkohol, Aceton, Bananenöl usw.), kochendes Wasser oder saure/basische Mittel, weil sie die Kühlschrankoberfläche sowie den Kühlschrankinnenraum angreifen können.

FEHLERSUCHE

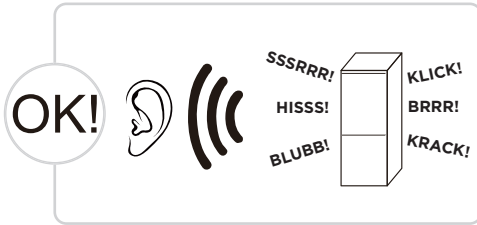
Die nachstehenden einfachen Probleme können durch den/die Benutzer/-in selbst behoben werden. Wenn das Problem anschließend immer noch bestehen sollte, dann setzen Sie sich bitte mit der Kundendienstabteilung in Verbindung.

Problem	Mögliche Ursache
Kein Betrieb	<ul style="list-style-type: none"> Überprüfen Sie, ob das Gerät am Stromnetz angeschlossen ist und der Netzstecker ordnungsgemäß in der Netzsteckdose steckt
	<ul style="list-style-type: none"> Überprüfen Sie, ob die Netzspannung zu gering ist
	<ul style="list-style-type: none"> Überprüfen Sie, ob ein Stromausfall vorliegt oder ob einzelne Sicherungen ausgelöst wurden
Gerüche	<ul style="list-style-type: none"> Geruchsintensive Nahrungsmittel müssen gut eingepackt werden
	<ul style="list-style-type: none"> Überprüfen Sie, ob sich verdorbene Nahrungsmittel im Kühlschrank befinden
	<ul style="list-style-type: none"> Reinigen Sie den Innenbereich des Kühlschranks
Langes Laufen des Kompressors	<ul style="list-style-type: none"> Ein langes Laufen des Kühlschrankkompressors ist im Sommer dann normal, wenn die Umgebungstemperatur hoch ist
	<ul style="list-style-type: none"> Es ist nicht empfehlenswert, zu viele Nahrungsmittel gleichzeitig im Kühlschrank aufzubewahren
	<ul style="list-style-type: none"> Nahrungsmittel müssen ausreichend genug abgekühlt sein, bevor sie in den Kühlschrank gelegt/gestellt werden
	<ul style="list-style-type: none"> Die Türen werden zu oft geöffnet
Die Beleuchtung funktioniert nicht	<ul style="list-style-type: none"> Überprüfen Sie, ob der Kühlschrank am Stromnetz angeschlossen ist und ob ein Defekt des Leuchtmittels vorliegt
	<ul style="list-style-type: none"> Lassen Sie bei Bedarf das Leuchtmittel durch eine(n) Fachfrau/-mann ersetzen
Die Tür lässt sich nicht richtig schließen	<ul style="list-style-type: none"> Die Tür wird durch Lebensmittelverpackungen am ordnungsgemäßen Schließen gehindert
	<ul style="list-style-type: none"> Der Kühlschrank steht nicht eben.
Laute Geräusche	<ul style="list-style-type: none"> Überprüfen Sie, ob der Kühlschrank nivelliert ist und stabil steht
	<ul style="list-style-type: none"> Überprüfen Sie, ob sich die Zubehörteile an der vorgesehenen Stelle befinden

Problem	Mögliche Ursache
Die Türdichtung dichtet nicht vollständig	<ul style="list-style-type: none"> • Entfernen Sie Fremdstoffe, die sich auf der Türdichtung befinden • Erhitzen Sie die Türdichtung und kühlen Sie sie anschließend zur Wiederherstellung ab (blasen Sie sie zum Erhitzen mit einem elektrischen Haartrockner an oder verwenden Sie ein heißes Handtuch)
Die Wasserauffangschale läuft über	<ul style="list-style-type: none"> • Im Kühlbereich/Gefrierschubfach werden zu viele Nahrungsmittel aufbewahrt oder die aufbewahrten Nahrungsmittel enthalten zu viel Wasser, was zu einem starken Abtauen führt • Die Türen sind nicht ordnungsgemäß geschlossen, wodurch es zum Gefrieren der Luft im Eingangsbereich kommt und dadurch die Wassermenge während des Abtauens ansteigt
Das Gehäuse ist heiß	<ul style="list-style-type: none"> • Die Wärmeabführung erfolgt durch den eingebauten Kondensator über das Gehäuse, was normal ist. Wenn das Gehäuse durch hohe Umgebungstemperatur, Lagerung von zu vielen Lebensmitteln oder Abschalten des Kompressors heiß wird, sorgen Sie für eine gute Belüftung, um die Wärmeabführung zu erleichtern
Kondensation an der Oberfläche	<ul style="list-style-type: none"> • Kondensationen an der Außenseite des Kühlschranks und an den Kühlschranktürdichtungen sind normal, wenn die Umgebungstemperatur sehr hoch ist. Wischen Sie die Kondensation mit einem sauberen Tuch ab.
Ungewöhnliche Geräusche	<ul style="list-style-type: none"> • Summen: Während seines Betriebs kann der Kompressor u. U. summen, wobei dieses Summen vor allem beim Starten und Stoppen sehr laut ist. Das ist normal. • Knarren: Das im Inneren des Kühlschranks fließende Kältemittel kann ein Knarren erzeugen, was normal ist.

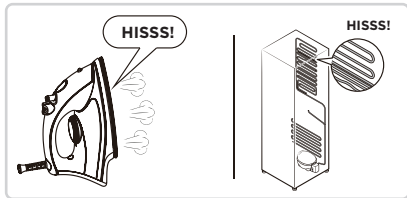
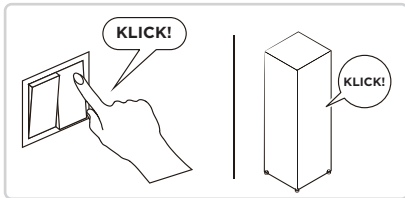
DE

Hören Sie diese ungewöhnlichen Geräusche wie nachstehend? Diese Geräusche sind üblicherweise normal.



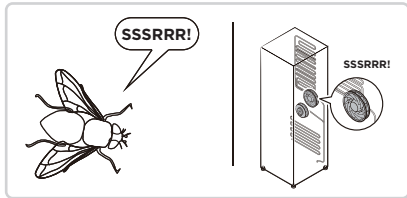
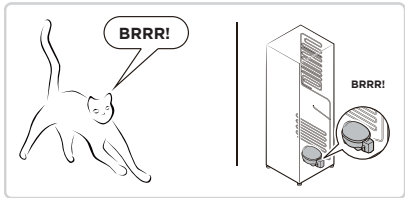
KLICK: Einige elektrische Teile im Kühlschrank, wie das elektrische Ventil, machen dieses Geräusch im Betrieb. Das ist normal.

HISS: Wenn das Kältemittel in den Verdampfer fließt, entsteht dieses Geräusch. Das ist normal.



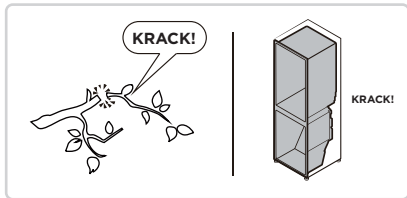
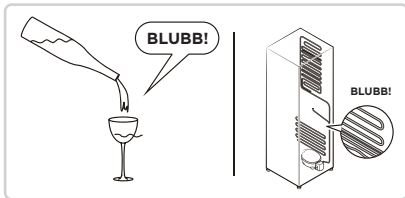
BRRR: Der Kompressor macht dieses Geräusch im Betrieb und das Summen vor allem beim Starten und Stoppen ist sehr laut. Das ist normal.

SSSRRR: Der Lüftermotor im frostfreien Kühlschrank macht dieses Geräusch im Betrieb. Das ist normal.



BLUBB: Der Kältemittelstrom durch die Rohre im Kühlschrank macht dieses Geräusch. Das ist normal.

KRACK: Krachende Geräusche oder Geräusche von brechendem Eis: Durch die Gesamtkonstruktion des Kühlschranks kommt es zu mit Ausdehnen und Zusammenziehen von Frost im Luftkanal zu Ausdehnungsgeräuschen. Dies sind normale physikalische Phänomene.



ANHANG

Speziell für den neuen EU-Standard

Die Ersatzteile in der folgenden Tabelle sind über den Serviceanbieter erhältlich

Ersatzteil	Bereitgestellt für	Mindestens für die Beschaffung benötigte Zeit
Thermostate	Geschultes Wartungspersonal	Mindestens 7 Jahre nach Markteinführung des letzten Modells
Temperatursensoren	Geschultes Wartungspersonal	Mindestens 7 Jahre nach Markteinführung des letzten Modells
Platinen	Geschultes Wartungspersonal	Mindestens 7 Jahre nach Markteinführung des letzten Modells
Lichtquellen	Geschultes Wartungspersonal	Mindestens 7 Jahre nach Markteinführung des letzten Modells
Türgriffe	Fachwerkstätten und Endbenutzer(innen)	Mindestens 7 Jahre nach Markteinführung des letzten Modells
Türscharniere	Fachwerkstätten und Endbenutzer(innen)	Mindestens 7 Jahre nach Markteinführung des letzten Modells
Ablagen	Fachwerkstätten und Endbenutzer(innen)	Mindestens 7 Jahre nach Markteinführung des letzten Modells
Körbe	Fachwerkstätten und Endbenutzer(innen)	Mindestens 7 Jahre nach Markteinführung des letzten Modells
Türdichtungen	Fachwerkstätten und Endbenutzer(innen)	Mindestens 10 Jahre nach Markteinführung des letzten Modells

Sehr geehrte Kundin, sehr geehrter Kunde

1. Wenn Sie das Produkt zurückgeben oder ersetzen möchten, dann setzen Sie sich bitte mit dem Geschäft in Verbindung, in dem Sie das Produkt erworben haben.
(Bringen Sie bitte auch den Kaufbeleg mit)
2. Wenn Ihr Produkt defekt ist und repariert werden muss, dann setzen Sie sich bitte mit dem Kundendienstserviceanbieter in Verbindung.

ACHTUNG

Die Modellinformationen in der Produktdatenbank sowie den Modellidentifikator können Sie über den Weblink durch Scannen des QR-Codes erhalten, wenn das Energieeffizienzschild des Produktes einen QR-Code enthält.

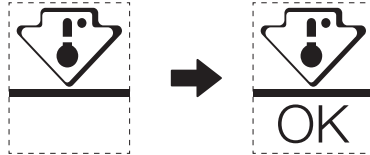
Weitere Informationen über die Energieeffizienz des Gerätes finden Sie, wenn Sie unter <https://ec.europa.eu> nach dem Modellnamen suchen.

Die Modellbezeichnung finden Sie auf dem Typenschild des Geräts.

Die kälteste Zone im Kühlschrank

OPTIONAL: OK-Temperaturanzeige

- Mit der OK-Temperaturanzeige können Temperaturen unter +4 °C ermittelt werden. Reduzieren Sie die Temperatur schrittweise, wenn „OK“ nicht angezeigt wird.



- Ändern Sie die Position der Ablage nicht, um die Temperatur in diesem Bereich sicherzustellen. Bei Kühlschränken mit verbesserter Luftzirkulation (ausgestattet mit einem Gebläse oder frostfreie Modelle) fehlt dieses Symbol, weil bei ihnen die Temperatur im Inneren homogen ist.

Temperaturindikatoreinstellung

- Der Kühlschrank ist mit einem Temperaturindikator ausgestattet, der die Durchschnittstemperatur im kältesten Bereich anzeigt, um Ihnen bei der Einstellung Ihres Kühlschranks zu helfen.
- **WARNUNG:** Dieser Indikator ist auf Ihren Kühlschrank abgestimmt. Benutzen Sie ihn weder in anderen Kühlschränken (weil dort der kälteste Bereich ein anderer ist) noch für andere Zwecke.

Überprüfen der Temperatur im kältesten Bereich

- Mit Hilfe des Temperaturindikators können Sie regelmäßig überprüfen, ob die Temperatur im kältesten Bereich richtig ist. Allerdings hängt die Innentemperatur des Kühlschranks von verschiedenen Faktoren wie beispielsweise der Raumtemperatur, der sich im Kühlschrank befindlichen Menge an Nahrungsmitteln und der Häufigkeit des Türöffnens ab. Ziehen Sie diese Faktoren in Ihre Überlegungen mit ein, wenn Sie das Gerät einstellen.
- Wenn die Anzeige „OK“ anzeigt, dann bedeutet das, dass der Thermostat ordnungsgemäß eingestellt und die Innentemperatur ordnungsgemäß ist.
- Wenn der Temperaturindikator WEISS wird, dann bedeutet das, dass die Temperatur zu hoch ist. Erhöhen Sie in diesem Fall die Einstellung der Kühlschranktemperaturregelung und warten Sie 12 Stunden, bevor Sie die Temperatur über den Temperaturindikator erneut überprüfen. Wenn Sie frische Nahrungsmittel hineingelegt/-gestellt haben oder die Tür eine Zeitlang geöffnet ist, kann es sein, dass der Temperaturindikator WEISS wird.

LETTERA DI RINGRAZIAMENTO

Grazie per avere scelto Midea! Prima di utilizzare il nuovo prodotto Midea, leggere attentamente il presente manuale per essere certi di sapere utilizzare in modo sicuro le caratteristiche e le funzioni offerte dal nuovo apparecchio.

INDICE

LETTERA DI RINGRAZIAMENTO	01
SPECIFICHE	02
PANORAMICA DEL PRODOTTO	03
INSTALLAZIONE DEL PRODOTTO	05
ISTRUZIONI PER L'USO	13
PULIZIA E MANUTENZIONE	18
RISOLUZIONE DEI PROBLEMI	19
APPENDICE	22

SPECIFICHE

Modello del prodotto	MDRB548MME*
Tensione/frequenza nominale	220-240 V-/50 Hz
Corrente nominale	1,4 A
Volume totale	401 L
Volume dello scomparto di conservazione degli alimenti freschi	271 L
Volume dello scomparto a quattro stelle	130 L
Capacità di congelamento	8,0 kg/24 ore
Tempo di incremento temperatura	8 ore
Dimensioni complessive (L x P x A)	595x670x1860 mm

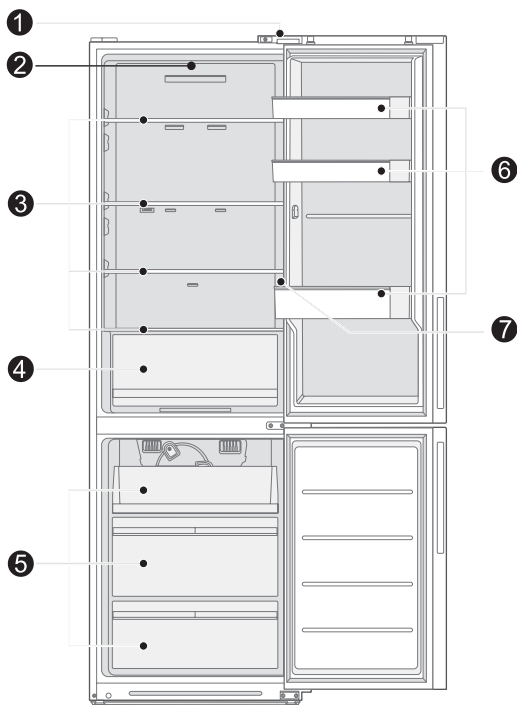
Modello del prodotto	MDRB600MME*
Tensione/frequenza nominale	220-240 V-/50 Hz
Corrente nominale	1,4 A
Volume totale	443 L
Volume dello scomparto di conservazione degli alimenti freschi	313 L
Volume dello scomparto a quattro stelle	130 L
Capacità di congelamento	8,0 kg/24 ore
Tempo di incremento temperatura	8 ore
Dimensioni complessive (L x P x A)	595x670x2010 mm

IT

PANORAMICA DEL PRODOTTO

Nomi dei componenti

MDRB548MME*

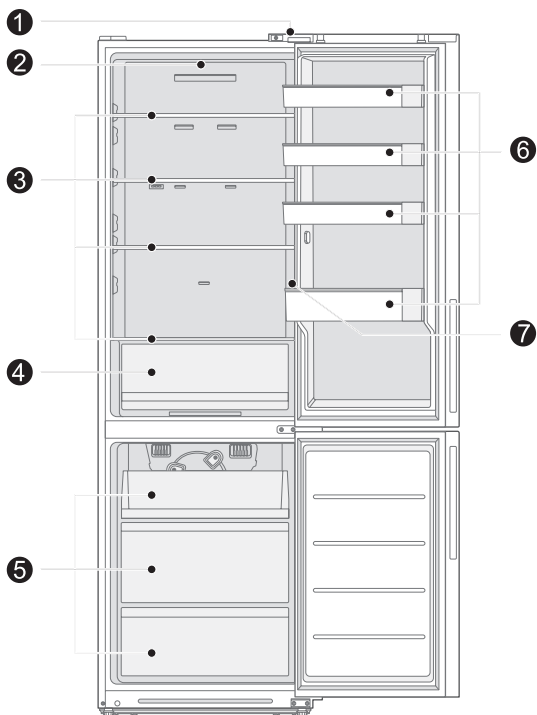


- | | | | |
|---|----------------------------------|---|-------------------------|
| 1 | Interruttore dello sportello | 5 | Cassetto |
| 2 | Luce LED | 6 | Ripiano dello sportello |
| 3 | Ripiano | 7 | Pannello di controllo |
| 4 | Contenitore per frutta e verdura | | |

● ATTENZIONE

La figura sopra riportata viene fornita solo a scopo indicativo. La configurazione effettiva dipende dalle caratteristiche fisiche del prodotto e dalle indicazioni del distributore.

MDRB600MME*



- | | | | |
|---|----------------------------------|---|-------------------------|
| 1 | Interruttore dello sportello | 5 | Cassetto |
| 2 | Luce LED | 6 | Ripiano dello sportello |
| 3 | Ripiano | 7 | Pannello di controllo |
| 4 | Contenitore per frutta e verdura | | |

● ATTENZIONE

La figura sopra riportata viene fornita solo a scopo indicativo. La configurazione effettiva dipende dalle caratteristiche fisiche del prodotto e dalle indicazioni del distributore.

INSTALLAZIONE DEL PRODOTTO

Istruzioni di installazione

Apparecchi di refrigerazione con classe climatica

- A seconda della classe climatica, gli apparecchi di refrigerazione sono pensati per essere utilizzati alle temperature ambiente indicate nella tabella sottostante.
- La classe climatica è riportata sulla targhetta di identificazione del prodotto. Il prodotto potrebbe non funzionare correttamente a temperature che non rientrano nell'intervallo specificato.
- È possibile trovare la classe climatica sull'etichetta del prodotto.

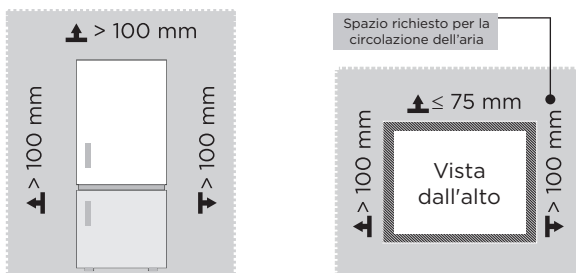
Intervallo di temperatura effettiva

- L'apparecchio è pensato per funzionare normalmente entro l'intervallo di temperatura specificato a seconda della classe climatica.

Classe	Simbolo	Intervallo di temperatura ambiente °C	
		IEC 62552 (ISO 15502)	ISO 8561
Area temperata estesa	SN	da +10 a +32	da +10 a +32
Area temperata	N	da +16 a +32	da +16 a +32
Area Subtropicale	ST	da +16 a +38	da +18 a +38
Area Tropicale	T	da +16 a +43	da +18 a +43

Dimensioni e spazi

- Consentire un'adeguata circolazione dell'aria intorno al mobile. Durante l'installazione, lasciare 10 cm di spazio libero su entrambi i lati, 10 cm al di sopra e non più di 7,5 cm sul retro dell'unità.

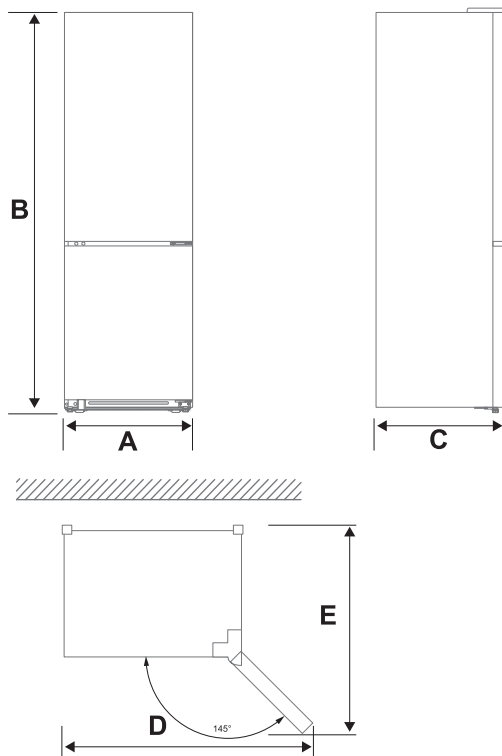


ATTENZIONE

La figura sopra riportata viene fornita solo a scopo indicativo. La configurazione effettiva dipende dalle caratteristiche fisiche del prodotto e dalle indicazioni del distributore.

Disegno sui requisiti di spazio (quando lo sportello è aperto e quando è chiuso)

IT



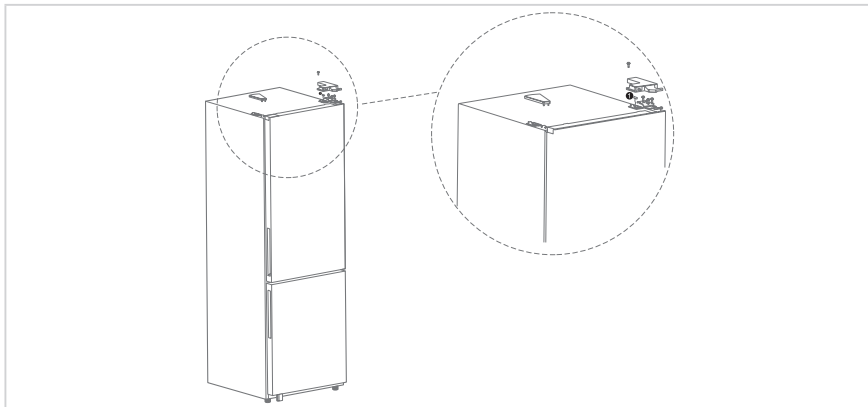
Modello	Larghezza	Altezza complessiva	Profondità	Larghezza sportelli aperti a 145°	Profondità sportelli aperti a 145°
	A	B	C	D	E
MDRB548MME*	595	1860	670	960	1070
MDRB600MME*	595	2010	670	960	1070

Nota: Tutte le dimensioni in mm

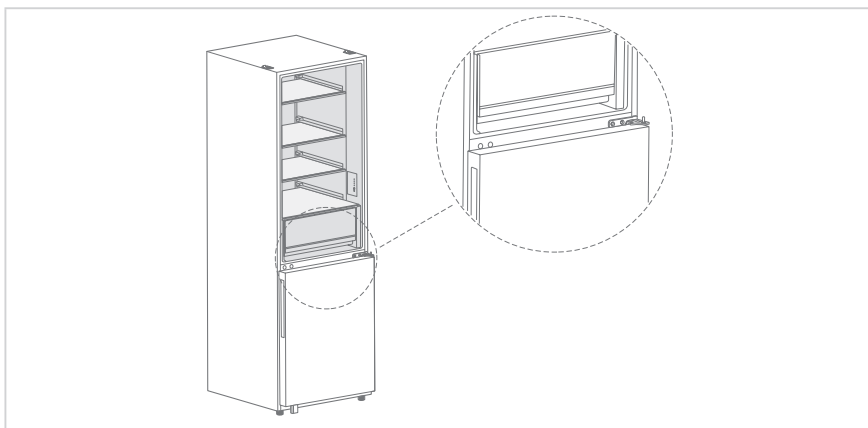
Inversione dello sportello

In base alla posizione in cui si intende utilizzare il frigorifero, potrebbe essere più comodo invertire la posizione dello sportello.

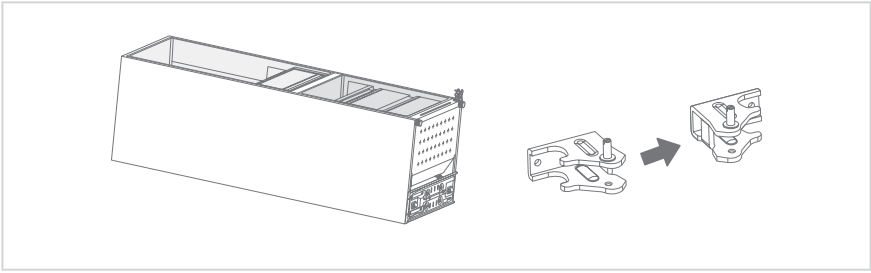
1. Rimuovere gli elementi dal corpo dello sportello.
2. Rimuovere la copertura decorativa della cerniera superiore sinistra, la copertura della cerniera superiore destra, la cerniera superiore destra, scollegare la linea di segnale sul lato superiore destro del corpo del frigorifero (linea di segnale ①).



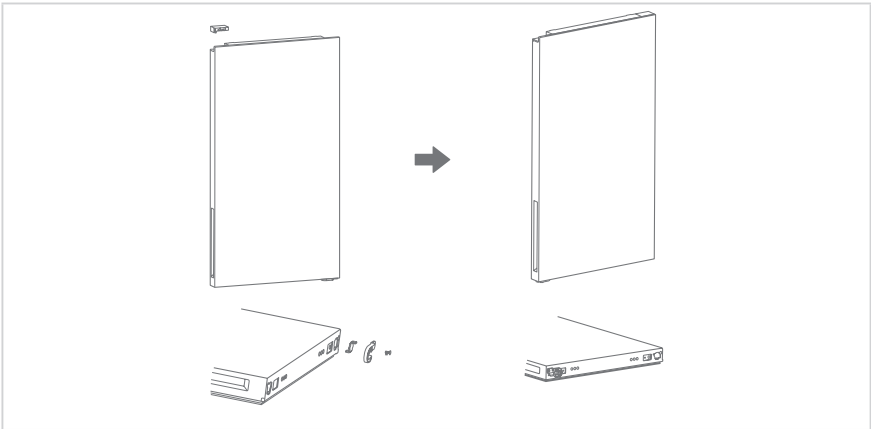
3. Rimuovere il corpo dello sportello di refrigerazione (prestare attenzione a non perdere piccole parti come i tappi dello sportello); rimuovere la cerniera centrale per l'uso di riserva e rimuovere il coperchio decorativo del foro della cerniera, il tappo e le viti sull'altro lato.



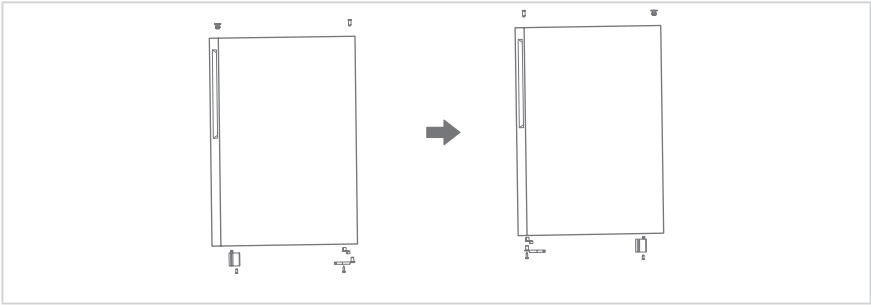
4. Rimuovere il corpo dello sportello del congelatore (fare attenzione a non perdere piccole parti come i manicotti dell'albero e i fermi dello sportello); rimuovere la cerniera inferiore, rimuovere l'albero della cerniera inferiore e installarlo sull'altro lato della cerniera, rimuovere la cerniera inferiore, rimuovere l'albero della cerniera inferiore e installarlo sull'altro lato della cerniera per l'uso di riserva.



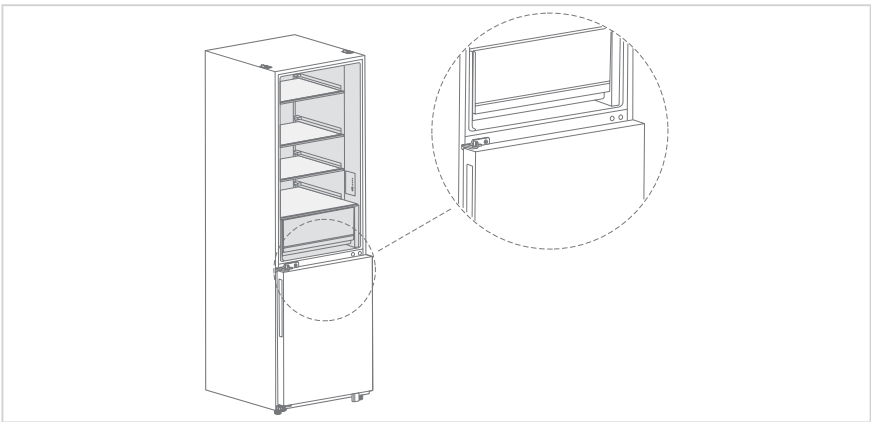
5. Sostituzione dello sportello di refrigerazione; rimuovere il coperchio decorativo sinistro, rimuovere il coperchio decorativo destro dalla confezione degli accessori e installarlo sull'altro lato del coperchio dell'estremità superiore; rimuovere l'autobloccante della porta di refrigerazione, il fermo dello sportello, rimuovere l'autobloccante dello sportello sinistro dalla confezione degli accessori e installare a sua volta il fermo dello sportello e l'autobloccante dello sportello sinistro sul lato sinistro del coperchio dell'estremità inferiore.



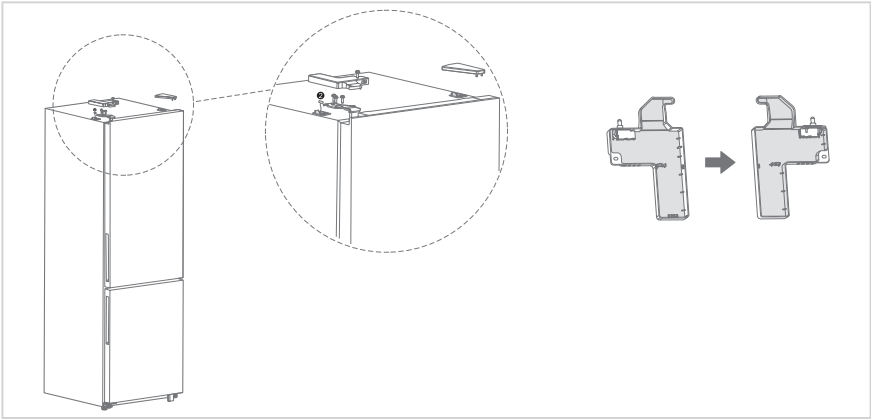
6. Interruttore dello sportello del congelatore; rimuovere il manicotto del tappo dell'estremità superiore dello sportello del congelatore e installarlo nelle posizioni intercambiabili sinistra e destra; rimuovere l'autobloccante dello sportello del congelatore, il fermo dello sportello e il supporto dello sportello, rimuovere l'autobloccante dello sportello sinistro dalla confezione degli accessori, installare a sua volta il fermo dello sportello e l'autobloccante dello sportello sinistro sul lato sinistro del coperchio dell'estremità inferiore del congelatore e installare il supporto dello sportello sul lato destro del coperchio dell'estremità inferiore del congelatore.



7. Installare la cerniera centrale e lo sportello del refrigerante sulla cerniera centrale, quindi installare la cerniera inferiore e coprire il foro della cerniera con il coperchio decorativo.



8. Rimuovere la copertura della cerniera superiore sinistra dalla confezione degli accessori, la cerniera superiore sinistra, rimuovere l'interruttore installato sul coperchio della cerniera destra e installarlo sul coperchio della cerniera superiore sinistra; posizionare il corpo dello sportello di refrigerazione sulla cerniera centrale e installare la cerniera superiore sinistra; collegare la linea di segnale superiore ② sul lato sinistro del frigorifero e l'interruttore sul coperchio della cerniera sinistra, coprire e fissare il coperchio della cerniera sinistra e infine installare il coperchio decorativo della cerniera sul lato destro del corpo del frigorifero.



● ATTENZIONE

A causa di modifiche tecniche e modelli diversi, alcune delle illustrazioni in questo manuale potrebbero differire dal modello in uso.

- Assicurarsi che il frigorifero sia scollegato e vuoto.
- Farsi assistere da un'altra persona per compiere l'operazione.
- Conservare tutte le parti rimosse per riutilizzarle in seguito.



Piedini di livellamento

Per evitare vibrazioni, l'unità deve trovarsi in piano.

Se necessario, regolare le viti di livellamento per compensare le irregolarità del pavimento.

La parte anteriore deve essere leggermente più alta rispetto a quella posteriore per facilitare la chiusura dello sportello.

Le viti di livellamento possono essere ruotate facilmente ribaltando leggermente il mobile.

Girare le viti di livellamento in senso antiorario  per sollevare l'unità, in senso orario  per abbassarla.

Spostamento dell'apparecchio

1. Rimuovere tutti gli alimenti che si trovano all'interno dell'apparecchio.
2. Scollegare la spina di alimentazione, inserirla e fissarla nell'apposito gancio posto sul retro o sulla parte superiore dell'apparecchio.
3. Avvolgere con nastro adesivo parti come i ripiani e la maniglia dello sportello per evitare che cadano durante lo spostamento dell'apparecchio.
4. Spostare con cautela l'apparecchio insieme a più di due persone. In caso di trasporto dell'apparecchio per lunghi tratti, tenere l'apparecchio in posizione verticale.
5. Dopo aver installato l'apparecchio, collegare la spina a una presa di corrente per accenderlo.

● ATTENZIONE

Precauzioni prima dell'utilizzo:

Prima di apportare qualunque modifica al frigorifero, scollegarlo dall'alimentazione.

Inoltre è necessario prendere le dovute precauzioni per evitare lesioni personali.

Sostituzione della luce

- Tutte le operazioni di sostituzione e manutenzione sulle lampade a LED devono essere svolte dal produttore, dal suo personale di assistenza autorizzato o altro personale qualificato.

● ATTENZIONE

Questo prodotto contiene una sorgente luminosa con classe di efficienza energetica (G).

Collegamento dell'apparecchio

Dopo l'installazione dell'apparecchio, collegare la spina di alimentazione a una presa elettrica.

● ATTENZIONE

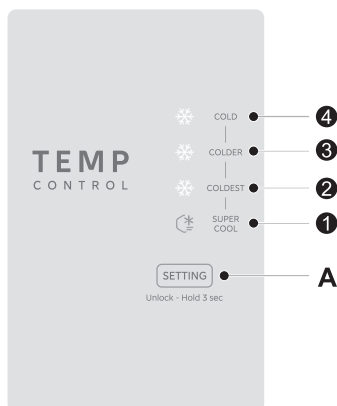
Dopo aver collegato il cavo di alimentazione (o la spina) alla presa elettrica, attendere 2 o 3 ore prima di introdurre gli alimenti nell'apparecchio. In caso di aggiunta di alimenti prima che l'apparecchio si sia completamente raffreddato, gli alimenti potrebbero guastarsi.

Suggerimenti per il risparmio energetico

- Non collocare l'apparecchio vicino a fornelli, radiatori o altre fonti di calore. Se la temperatura ambiente è elevata, il compressore funzionerà più spesso e più a lungo, con conseguente aumento del consumo energetico.
- Assicurarsi che vi sia una ventilazione sufficiente alla base, sui lati e sul retro dell'apparecchio. Non coprire mai le aperture di ventilazione.
- Inoltre, osservare le distanze indicate nel capitolo "Installazione".
- La disposizione dei cassetti, degli scaffali e dei ripiani come raffigurato nell'illustrazione garantisce un uso più efficiente dell'energia e dovrebbe quindi essere rispettata il più possibile. Tutti i cassetti e i ripiani devono rimanere sempre nell'apparecchio, per mantenere una temperatura stabile e risparmiare energia.
- Per ottenere uno spazio più ampio (ad esempio per prodotti refrigerati/congelati di grandi dimensioni), è possibile rimuovere i cassetti centrali. I cassetti e i ripiani superiori e inferiori devono essere rimossi per ultimi, se necessario.
- Un vano frigorifero/congelatore riempito in modo uniforme contribuisce a un consumo energetico ottimale. Pertanto, evitare di mantenere gli scomparti vuoti o semivuoti.
- Lasciare raffreddare gli alimenti caldi prima di metterli nel frigorifero/congelatore. Gli alimenti già raffreddati aumentano l'efficienza energetica.
- Lasciare scongelare gli alimenti congelati in frigorifero. Il freddo degli alimenti congelati riduce il consumo di energia nel vano frigorifero, aumentando così l'efficienza energetica.
- Aprire lo sportello solo per il tempo necessario, in modo da ridurre al minimo la dispersione del freddo. Aprire brevemente lo sportello e chiuderlo correttamente per ridurre il consumo energetico.
- Le guarnizioni dello sportello dell'apparecchio devono essere perfettamente intatte, in modo che gli sportelli possano chiudersi correttamente e il consumo energetico non aumenti inutilmente.

ISTRUZIONI PER L'USO

Pannello di controllo



IT

Pulsante

A Pulsante di impostazione della temperatura

Schermo del display

1	LED1 (REFRIGERAZIONE MASSIMA)
2	LED2 (2 °C/ANCORA PIÙ FREDDO)
3	LED3 (4 °C/PIÙ FREDDO)
4	LED4 (8 °C/FREDDO)

Display

- Quando viene acceso per la prima volta, verrà visualizzato completamente per 3 secondi e quindi visualizzato normalmente; (impostare per la prima volta il livello a 4 °C).
- Quando si verifica un intoppo, viene presentato il relativo codice (in modalità di visualizzazione del ciclo). In uno stato normale, viene mostrato il livello impostato nel frigorifero invece di un codice di blocco.
- In circostanze normali, dopo 15 secondi di inattività del tasto, l'impostazione diventerà effettiva.

Blocco e sblocco

- Tenere premuto per 3 secondi per sbloccare, il LED lampeggia per indicare che lo sblocco è riuscito e la serratura viene automaticamente bloccata dopo 15 secondi senza premere il pulsante.

ATTENZIONE

Il pannello comandi effettivo può variare da modello a modello.

Istruzioni di funzionamento

Impostazione del livello

- Premere una volta il pulsante di SETTING per modificare l'impostazione della temperatura.
- Regolare utilizzando il livello a: LED4 - > LED3 - > LED2 - > LED1 - > LED4

Modalità di raffreddamento rapido

Inserimento modalità:

- Premere il tasto di controllo della temperatura per accendere il LED 1.

Modalità di funzionamento:

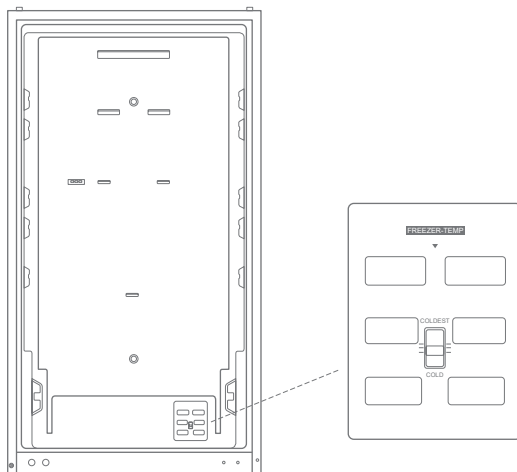
- Il compressore funziona alla velocità massima della temperatura ambiente attuale.
- La ventola è in funzione al livello -1 di velocità corrente (la priorità è inferiore al sovraccarico).
- Eseguire in base al punto di avvio-arresto del livello di raffreddamento veloce a 2 gradi e non sbrinare durante il periodo di congelamento rapido (ad eccezione dello sbrinamento all'accensione).
- Sbrinamento una volta dopo l'uscita dal raffreddamento rapido.

Uscita dalla modalità:

- Regolare la temperatura per uscire dalla modalità raffreddamento rapido.
- Uscire dopo 16 ore di funzionamento in modalità di raffreddamento rapido.

Regolazione della paletta del condotto dell'aria

Se si solleva il regolatore della valvola dell'aria, la temperatura effettiva all'interno del vano congelatore diminuisce; se si abbassa il regolatore della valvola dell'aria, la temperatura effettiva all'interno del vano congelatore aumenta.



Codice di errore

- I seguenti avvisi appaiono sul display per indicare le corrispondenti situazioni di guasto del frigorifero. Anche se il frigorifero può continuare a refrigerare e conservare le vivande fredde pur in presenza di tali condizioni di errore, l'utente dovrà tempestivamente contattare gli addetti alla manutenzione per segnalare il problema e consentire il ritorno al normale funzionamento.

Codice di guasto	Descrizione del guasto
LED 1 e LED2 lampeggiano	Guasto del sensore di temperatura del frigorifero
LED 1 e LED3 lampeggiano	Guasto del sensore di sbrinamento del congelatore
LED 1 e LED4 lampeggiano	Guasto del sensore della temperatura ambiente

Consigli per la conservazione degli alimenti

Vano congelatore



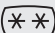

- Il congelatore è destinato alla conservazione di alimenti congelati a bassissima temperatura, alla conservazione a lungo termine di alimenti congelati e alla produzione di ghiaccio.
- Utilizzare i ripiani dello sportello del congelatore solo per conservare gli alimenti già congelati e non per conservare gli alimenti caldi che saranno poi congelati.
- Non posizionare gli alimenti freschi e quelli congelati gli uni accanto agli altri. Il cibo congelato potrebbe scongelarsi.
- Quando si congelano alimenti freschi (ad esempio carne, pesce o carne tritata), tagliarli in parti in modo che possano essere utilizzati più comodamente.
- Conservazione degli alimenti surgelati: le istruzioni sono solitamente riportate sulle confezioni e devono essere rispettate. Se non ci sono informazioni sulla confezione, gli alimenti non devono essere conservati per più di tre mesi a partire dalla data di acquisto.
- Quando si acquistano alimenti surgelati, assicurarsi che siano stati congelati a una temperatura adeguata e che la confezione non sia danneggiata.
- Gli alimenti congelati devono essere conservati in confezioni adeguate per mantenerne la qualità e devono essere rimessi nel vano congelatore il prima possibile.
- Se una confezione di alimenti surgelati presenta umidità o rigonfiamenti anomali, è probabile che sia stata conservata a una temperatura sbagliata e che il contenuto sia danneggiato.
- Il periodo di conservazione degli alimenti surgelati dipende dalla temperatura ambiente, dall'impostazione del termostato, dalla frequenza di apertura dello sportello del congelatore, dal tipo di alimento e dal tempo di trasporto del prodotto dal negozio a casa. Seguire sempre le istruzioni stampate sulla confezione e non superare mai il tempo massimo di conservazione indicato sulla stessa confezione.

Vano frigorifero

- Per ridurre l'umidità e la conseguente formazione di ghiaccio, non introdurre mai nel frigorifero liquidi in contenitori non sigillati. La brina tende a concentrarsi nelle parti più fredde dell'evaporatore. La conservazione di liquidi non coperti comporta una maggiore frequenza di sbrinamento.
- Non collocare mai alimenti caldi nel frigorifero. Questi alimenti devono prima raffreddarsi a temperatura ambiente e poi essere posizionati in modo da garantire un'adeguata circolazione dell'aria nel frigorifero.
- Gli alimenti o i contenitori non devono toccare la parete posteriore del frigorifero, poiché potrebbero congelarsi. Non aprire lo sportello del frigorifero troppo di frequente.
- La carne e il pesce pulito (confezionato in un pacchetto o in un foglio di plastica) possono essere riposti nel frigorifero e consumati entro 1-2 giorni.
- La frutta e la verdura senza confezione possono essere riposte nel vano designato alla frutta e alla verdura fresca.

ATTENZIONE

L'impostazione della temperatura ottimale di ogni scomparto dipende dalla temperatura ambiente. La temperatura ottimale si basa su una temperatura ambiente di 25 °C.

Ordine	TIPOLOGIA scomparto	Temp. di conservazione nominale [°C]	Alimenti adatti
1	Frigorifero	$+2 \leq x \leq +8$	Ova, cibi cotti, cibi confezionati, frutta e verdura, latticini, dolci, bevande e altri alimenti non sono adatti per essere congelati.
2	 Congelamento a quattro stelle	$x \leq -18$	Grazie alla capacità di congelamento e alla velocità di congelamento, permette di congelare e conservare rapidamente gli alimenti. Adatto per alimenti freschi congelati come frutti di mare (pesce, gamberi, crostacei), prodotti ittici d'acqua dolce e prodotti a base di carne. Consigliato per 3 - 6 mesi; più lungo è il tempo di conservazione, peggiori sono il sapore e le proprietà nutritive.
3	 Congelamento a tre stelle	$x \leq -18$	Con capacità di congelamento. Adatto per alimenti freschi congelati come frutti di mare (pesce, gamberi, crostacei), prodotti ittici d'acqua dolce e prodotti a base di carne. Consigliato per non oltre 3 mesi.
4	 Congelamento a due stelle	$x \leq -12$	Adatto solamente per la conservazione a medio termine di alimenti già congelati, ad es. il gelato. Consigliato per non oltre 1 mese.
5	 Congelamento a una stella	$x \leq -6$	Adatto solamente per la refrigerazione e la conservazione a breve termine di piccole quantità di alimenti già congelati. Consigliato per non oltre 1 settimana.
6	0 stelle	$-6 \leq x \leq 0$	Carne fresca di maiale, manzo, pesce, pollo, alcuni cibi trattati e confezionati, ecc. (si consiglia di consumare questi alimenti lo stesso giorno o al massimo entro 3 giorni). Alimenti parzialmente trasformati e incapsulati (alimenti che non possono essere congelati).
7	Conservazione a breve termine	$-2 \leq x \leq +3$	Carne di maiale fresca/congelata, manzo, pollo, prodotti ittici d'acqua dolce, ecc. (si consiglia di consumarli entro 7 giorni a temperatura inferiore a 0 °C e sopra i 0 °C preferibilmente entro non oltre 2 giorni). Prodotti ittici (sotto i 0° per 15 giorni, si sconsiglia di conservarli sopra i 0 °C).
8	Alimenti freschi	$0 \leq x \leq +4$	Carne fresca di maiale, manzo, pesce, pollo, alimenti cotti ecc. (si consiglia il consumo in giornata e preferibilmente entro un massimo di 3 giorni)
9	Vino	$+5 \leq x \leq +20$	Vino rosso, vino bianco, spumante, ecc.

ATTENZIONE

conservare gli alimenti in base agli scomparti o alla temperatura di conservazione desiderata.

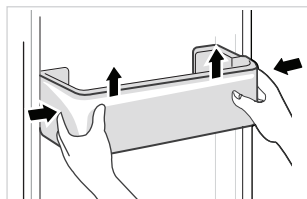
PULIZIA E MANUTENZIONE

Sbrinamento

- Il frigorifero funziona in base al principio di raffreddamento ad aria ed è dotato della funzione di sbrinamento automatico. Il ghiaccio che si forma a causa di variazioni stagionali di temperatura può essere rimosso anche manualmente, scollegando l'apparecchio dall'alimentazione elettrica o utilizzando un panno asciutto.

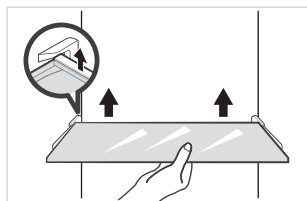
Pulizia del balconcino della porta

- Seguendo la freccia direzionale indicata nella figura seguente, afferrare il vassoio con entrambe le mani e spingerlo verso l'alto per poi estrarlo.
- Dopo aver lavato il vassoio estratto, risistemarlo all'altezza di installazione richiesta.



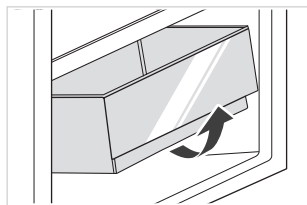
Pulizia dei ripiani in vetro

- Poiché la parte interna del frigo viene a contatto con i ripiani e funge da arresto, è possibile sollevare i ripiani per estrarli.
- Pulire e sistemare i ripiani come richiesto.



Pulizia del cassetto delle verdure

1. Rimuovere i contenuti del cassetto. Afferrare la maniglia del cassetto delle verdure ed estrarlo completamente fino all'arresto.
2. Sollevare il cassetto delle verdure e rimuoverlo estraendolo completamente.



⚠ ATTENZIONE

Per la pulizia si consiglia di utilizzare spugne o asciugamani morbidi imbevuti di acqua e detergenti neutri non corrosivi. Il congelatore deve infine essere pulito con acqua e un panno asciutto. Aprire lo sportello per lasciare asciugare naturalmente prima di collegare la corrente. Non usare spazzole dure, sfere d'acciaio, spazzole metalliche, sostanze abrasive come il dentifricio, solventi organici (come ad esempio alcool, acetone, olio di banana, ecc.), acqua bollente, acidi o alcalini per pulire il frigorifero, poiché potrebbero danneggiare la superficie e l'interno del frigorifero.

RISOLUZIONE DEI PROBLEMI

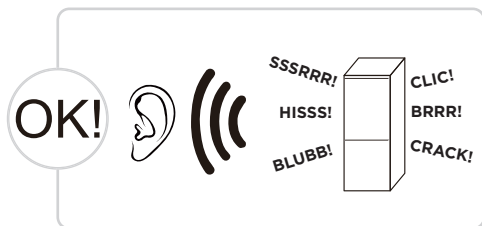
I seguenti problemi semplici possono essere risolti dall'utente. Contattare il servizio di assistenza post-vendita se non è possibile risolvere questi problemi.

Problema	Possibile causa
Mancato funzionamento	• Controllare che l'elettrodomestico sia collegato all'alimentazione e che la spina sia ben inserita nella presa
	• Verificare che la tensione non sia troppo bassa
	• Verificare che non ci siano interruzioni di corrente o cortocircuiti anche parziali
Cattivi odori	• Le vivande che emanano forte odore devono essere accuratamente protette
	• Controllare che non vi siano alimenti andati a male
	• Pulire l'interno del frigorifero
Usura del compressore per funzionamento prolungato	• Un utilizzo prolungato del compressore è normale in estate quando la temperatura ambientale è più elevata
	• Si suggerisce in ogni caso di non sovraccaricare mai con troppe vivande il frigorifero
	• Le vivande calde devono essere fatte raffreddare prima di essere messe in frigo
	• Gli sportelli vengono aperti troppo di frequente
La luce non si accende	• Controllare che il frigorifero sia collegato correttamente all'alimentazione e che la lampadina non sia danneggiata
	• La luce deve essere sostituita da un tecnico esperto
Lo sportello non si chiude correttamente	• È possibile che lo sportello sia ostruito da confezioni di cibo
	• Il frigorifero è inclinato.
Rumori forti	• Controllare che il pavimento sia livellato e che il frigorifero vi sia poggiato in modo stabile
	• Controllare che gli accessori siano posizionati correttamente

IT

Problema	Possibile causa
La guarnizione dello sportello non garantisce una chiusura ermetica	<ul style="list-style-type: none"> • Rimuovere eventuali corpi estranei dalla guarnizione dello sportello • Riscaldare e raffreddare la guarnizione dello sportello per ripristinarla (oppure servirsi di un asciugatore elettrico o di una tovaglia bollente per riscaldarla)
Fuoriuscita dell'acqua dalla vaschetta di raccolta	<ul style="list-style-type: none"> • Il cibo presente nel vano è eccessivo o congelatore oppure le vivande conservate contengono troppa acqua, che causa un eccessivo sbrinamento • Gli sportelli non si chiudono correttamente, causando la formazione di ghiaccio a causa dell'ingresso di aria e un aumento dell'acqua di sbrinamento
L'involucro esterno dell'apparecchio è caldo	<ul style="list-style-type: none"> • La dissipazione di calore del condensatore integrato avviene normalmente tramite l'alloggiamento del frigo. Se l'alloggiamento diventa troppo caldo a causa dell'elevata temperatura ambientale o per la conservazione di troppe vivande, si suggerisce di garantire un'adeguata ventilazione per facilitare la dissipazione del calore
Condensa sulla superficie	<ul style="list-style-type: none"> • La formazione di condensa sulla superficie esterna e sulle guarnizioni degli sportelli del frigorifero è normale quando l'umidità dell'ambiente è elevata. È sufficiente asciugare la condensa con un panno pulito.
Rumori anomali	<ul style="list-style-type: none"> • Ronzio: Il compressore può produrre dei ronzii, in particolare in fase di accensione e spegnimento. Ciò è perfettamente normale. • Cigolii: Il flusso del refrigerante all'interno dell'elettrodomestico può produrre cigolii, il che è normale.

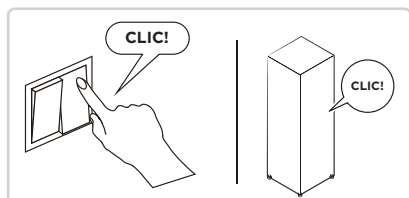
Si sentono dei rumori strani, simili a quelli mostrati sotto? Di solito, si tratta di rumori normali.



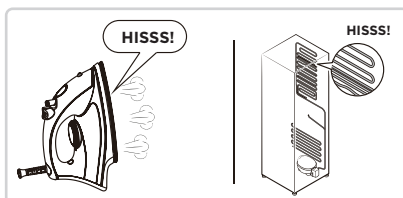
CLIC: alcuni componenti elettrici del frigorifero, come la valvola elettrica, producono questo tipo di rumore mentre sono in funzione. Ciò è perfettamente normale.

HISS: quando il refrigerante scorre nell'evaporatore, produce questo tipo di rumore. Ciò è perfettamente normale.

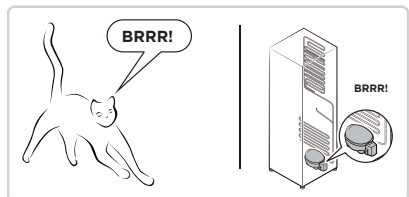
IT



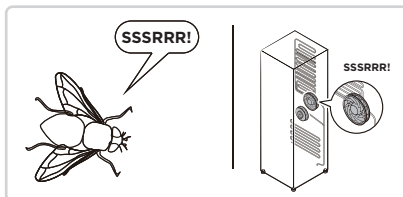
BRRR: il compressore produce questo tipo di rumore quando è in funzione, in particolare in fase di accensione e spegnimento. Ciò è perfettamente normale.



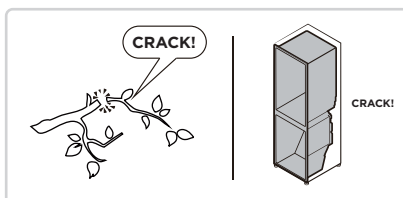
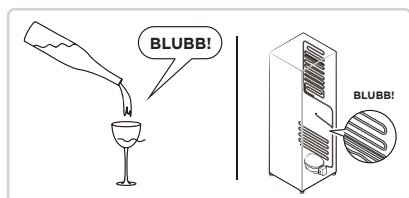
SSSRRR: il motore della ventola nei frigoriferi no frost produce questo tipo di rumore quando è in funzione. Ciò è perfettamente normale.



BLUBB: il refrigerante che scorre nei tubi del frigorifero produce questo tipo di rumore. Ciò è perfettamente normale.



CRACK: rumori simili a schianti o alla rottura del ghiaccio vengono prodotti dall'intera struttura del frigorifero e dal ghiaccio nei condotti dell'aria a causa dell'espansione e della contrazione termica. Si tratta di normali fenomeni fisici.



APPENDICE

Disposizioni speciali dei nuovi standard europei

I pezzi di ricambio indicati nella tabella che segue possono essere acquistati tramite il servizio di assistenza

Parte da ordinare	Fornita da	Tempo minimo di messa a disposizione
Termostati	Personale di manutenzione professionale	Almeno 7 anni dopo il lancio sul mercato dell'ultimo modello
Sensori di temperatura	Personale di manutenzione professionale	Almeno 7 anni dopo il lancio sul mercato dell'ultimo modello
Circuiti stampati	Personale di manutenzione professionale	Almeno 7 anni dopo il lancio sul mercato dell'ultimo modello
Sorgente luminosa	Personale di manutenzione professionale	Almeno 7 anni dopo il lancio sul mercato dell'ultimo modello
Maniglie degli sportelli	Riparatori professionisti e utenti finali	Almeno 7 anni dopo il lancio sul mercato dell'ultimo modello
Cerniere dello sportello	Riparatori professionisti e utenti finali	Almeno 7 anni dopo il lancio sul mercato dell'ultimo modello
Vassoi	Riparatori professionisti e utenti finali	Almeno 7 anni dopo il lancio sul mercato dell'ultimo modello
Cestelli	Riparatori professionisti e utenti finali	Almeno 7 anni dopo il lancio sul mercato dell'ultimo modello
Guarnizioni dello sportello	Riparatori professionisti e utenti finali	Almeno 10 anni dopo il lancio sul mercato dell'ultimo modello

Gentile cliente

1. Per restituire o sostituire il prodotto, rivolgersi al punto vendita presso cui è stato acquistato.
(Ricordarsi di portare la ricevuta dell'acquisto)
2. In caso il prodotto necessiti di riparazione, occorre contattare il centro di assistenza post-vendita.

ATTENZIONE

Le informazioni sul modello contenute nel database e l'identificativo del modello possono essere ottenuti attraverso un link ed eseguendo la scansione del codice QR, se presente, riportato sull'etichetta energetica del prodotto.

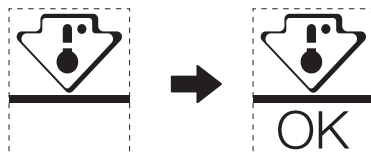
Per ulteriori informazioni sull'efficienza energetica dell'apparecchio, visitare il sito <https://ec.europa.eu> e cercare il nome del modello.

Il nome del modello è riportato sull'etichetta dati dell'apparecchio.

Zona più fredda del frigorifero

OPZIONALE: indicatore temperatura OK

- L'indicatore di temperatura OK può essere utilizzato per determinare le temperature al di sotto di +4 °C. Ridurre gradualmente la temperatura se l'indicatore non indica "OK".



- Per mantenere la temperatura di quest'area, non cambiare la posizione dello scaffale. Nei frigoriferi ad aria compressa (dotati di ventola o nei modelli No Frost), il simbolo della zona più fredda è assente, perché la temperatura interna è omogenea.

Impostazione dell'indicatore della temperatura

- Per configurare al meglio il frigorifero, esso è dotato di un indicatore di temperatura che controlla la temperatura media nella zona più fredda.
- **AVVERTENZA:** Questo indicatore funziona solo in questo modello, non tentare di usarlo in altri frigoriferi (nei quali la zona più fredda è diversa), né per nessun altro scopo.

Controllo della temperatura nella zona più fredda

- L'indicatore di temperatura permette di controllare con regolarità la corretta temperatura della zona più fredda. In realtà, la temperatura interna del frigo dipende da vari fattori, quali la temperatura ambientale esterna, la quantità di cibo conservata e la frequenza di apertura della porta. Tenere conto di questi fattori per configurare il dispositivo.
- Quando l'indicatore indica "OK", significa che il termostato è ben regolato e la temperatura interna è corretta.
- Se l'indicatore di temperatura diventa BIANCO, vuol dire che la temperatura è troppo alta; in tal caso, incrementare l'impostazione del controllo di temperatura del frigo e attendere 12 ore prima di controllare di nuovo l'indicatore. Dopo aver inserito cibo fresco in frigo o dopo l'apertura della porta, è possibile che l'indicatore di temperatura diventi BIANCO dopo un po' di tempo.

LETTRE DE REMERCIEMENT

Nous vous remercions d'avoir choisi Midea ! Avant d'utiliser votre nouveau produit Midea, veuillez lire attentivement ce manuel afin de vous assurer que vous maîtrisez les caractéristiques et les fonctions de votre nouvel appareil en toute sécurité.

SOMMAIRE

LETTRE DE REMERCIEMENT	01
SPÉCIFICATIONS	02
APERÇU DU PRODUIT	03
INSTALLATION DU PRODUIT	05
INSTRUCTIONS D'UTILISATION	13
NETTOYAGE ET ENTRETIEN	18
DÉPANNAGE	19
ANNEXE	22

SPÉCIFICATIONS

Modèle du produit	MDRB548MME*
Tension/Fréquence nominale	220-240 V-/50 Hz
Courant nominal	1,4 A
Volume total	401 L
Volume du compartiment de stockage des aliments frais	271 L
Volume du compartiment quatre étoiles	130 L
Capacité de congélation	8,0 kg/24 h
Temps de montée en température	8 h
Dimensions générales (L x P x H)	595 x 670 x 1860 mm

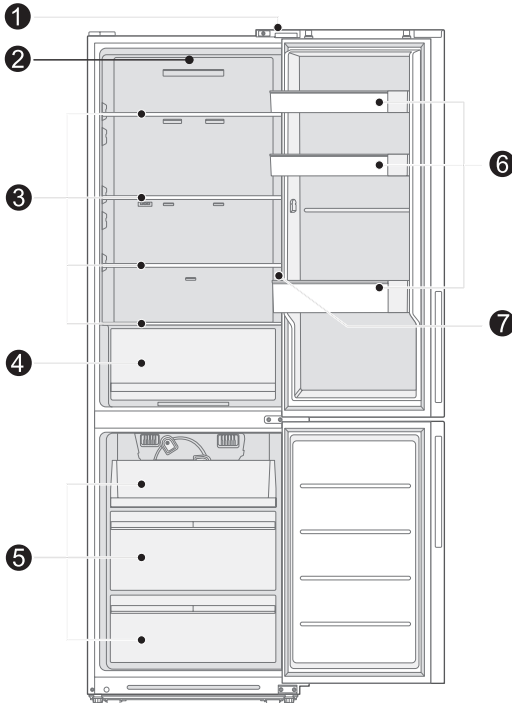
Modèle du produit	MDRB600MME*
Tension/Fréquence nominale	220-240 V-/50 Hz
Courant nominal	1,4 A
Volume total	443 L
Volume du compartiment de stockage des aliments frais	313 L
Volume du compartiment quatre étoiles	130 L
Capacité de congélation	8,0 kg/24 h
Temps de montée en température	8 h
Dimensions générales (L x P x H)	595 x 670 x 2010 mm

FR

APERÇU DU PRODUIT

Noms des composants

MDRB548MME*



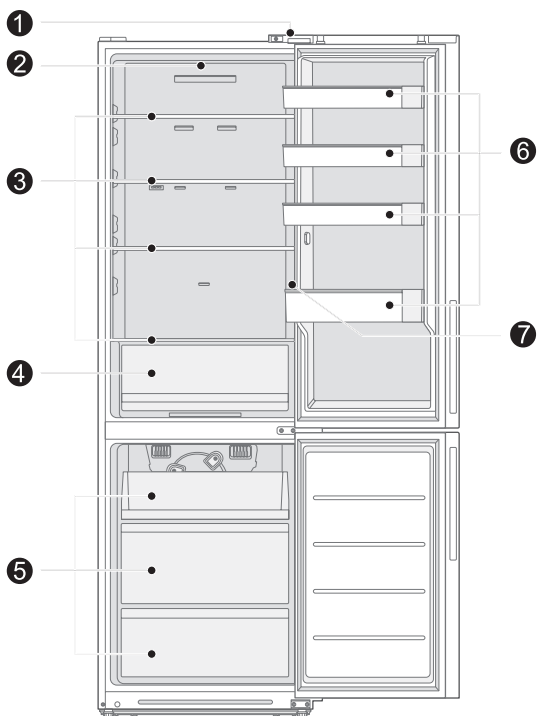
- | | | | |
|---|----------------------------|---|---------------------|
| 1 | Commutateur de porte | 5 | Tiroir |
| 2 | Témoin | 6 | Plateau de porte |
| 3 | Étagère | 7 | Panneau de commande |
| 4 | Bac pour fruits et légumes | | |

ATTENTION

L'image ci-dessus est donnée uniquement à titre de référence. La configuration réelle dépendra du produit physique ou de la déclaration faite par le distributeur.

FR

MDRB600MME*



- | | | | |
|---|----------------------------|---|---------------------|
| 1 | Commutateur de porte | 5 | Tiroir |
| 2 | Témoin | 6 | Plateau de porte |
| 3 | Étagère | 7 | Panneau de commande |
| 4 | Bac pour fruits et légumes | | |

ATTENTION

L'image ci-dessus est donnée uniquement à titre de référence. La configuration réelle dépendra du produit physique ou de la déclaration faite par le distributeur.

INSTALLATION DU PRODUIT

Instructions d'installation

Pour les appareils frigorifiques de classe climatique

- En fonction de la classe climatique, cet appareil de réfrigération est destiné à être utilisé dans les plages de température ambiante indiquées dans le tableau suivant.
- La classe climatique se trouve sur la plaque signalétique. Le produit peut ne pas fonctionner correctement à des températures hors de la plage indiquée.
- Vous pouvez trouver la classe climatique sur l'étiquette du produit.

Plage de température efficace

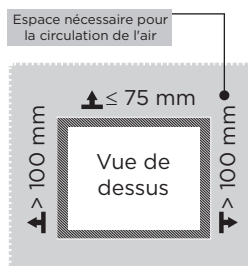
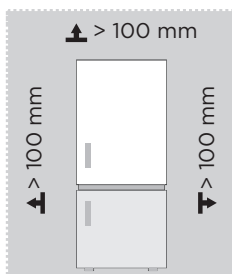
- Ce produit est conçu pour fonctionner normalement dans la plage de température indiquée par sa qualification de classe.

FR

Classe	Symbole	Plage de température de fonctionnement en °C	
		CEI 62552 (ISO 15502)	ISO 8561
Tempéré étendu	SN	+10 à +32	+10 à +32
Tempéré	N	+16 à +32	+16 à +32
Subtropical	ST	+16 à +38	+18 à +38
Tropical	T	+16 à +43	+18 à +43

Dimensions et dégagements

- Assurez-vous que l'air circule librement autour de l'appareil. Lors de l'installation de l'appareil, assurez-vous de laisser un espace libre de 10 cm de chaque côté, de 10 cm en haut de l'appareil et de 7,5 cm au maximum à l'arrière de l'appareil.

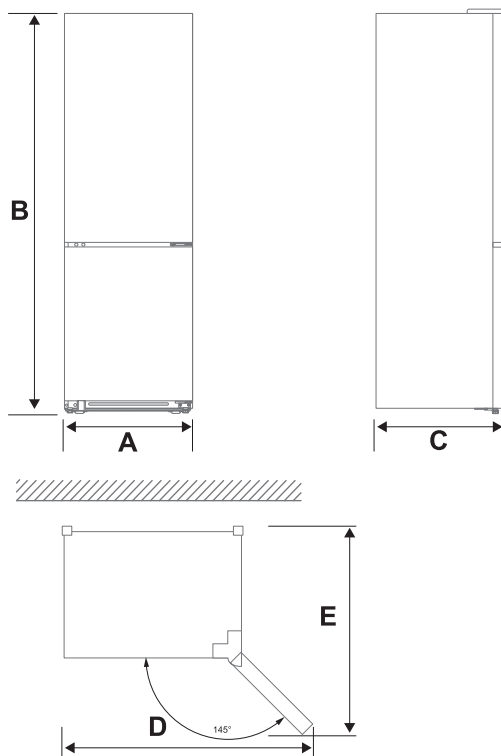


ATTENTION

L'image ci-dessus est donnée uniquement à titre de référence. La configuration réelle dépendra du produit physique ou de la déclaration faite par le distributeur.

Diagramme du besoin en espace (lorsque la porte est ouverte et lorsqu'elle est fermée)

FR



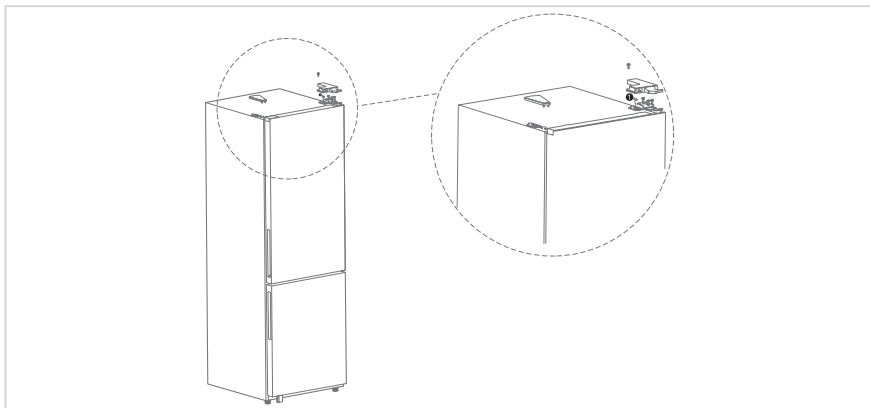
Modèle	Largeur	Hauteur totale	Profondeur	Largeur des portes ouvertes à 145°	Profondeur des portes ouvertes à 145°
	A	B	C	D	E
MDRB548MME*	595	1860	670	960	1070
MDRB600MME*	595	2010	670	960	1070

Remarque : Toutes les dimensions sont en mm

Inversion de la porte

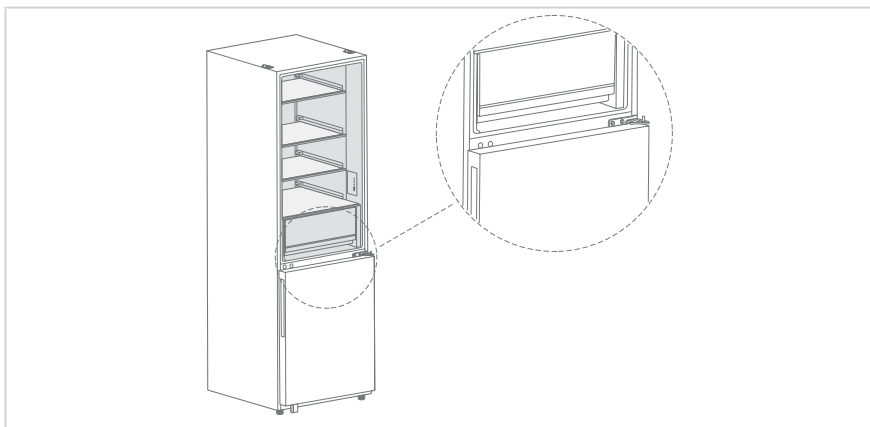
En fonction de l'emplacement du réfrigérateur, il serait peut-être plus pratique d'inverser l'ouverture de la porte.

1. Retirez les éléments du corps de la porte.
2. Retirez le couvercle décoratif de la charnière supérieure gauche, le couvercle de la charnière supérieure droite, la charnière supérieure droite, déconnectez la ligne de signal sur le côté supérieur droit du corps du réfrigérateur (❶ ligne de signal).

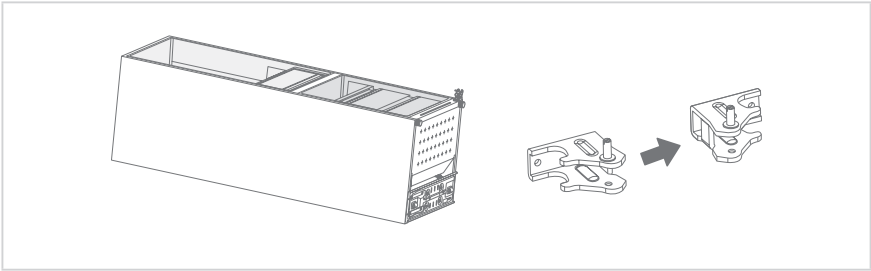


FR

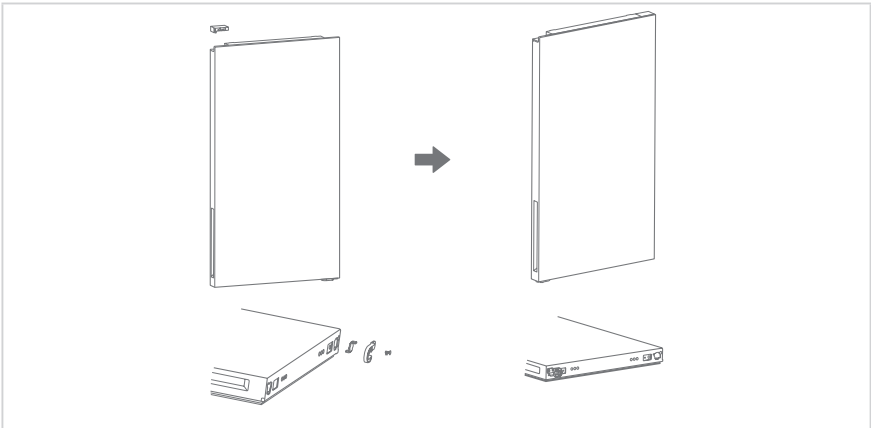
3. Retirez le corps de la porte de réfrigération (faites attention à ne pas perdre de petites pièces telles que les butées de porte) ; Retirez la charnière du milieu pour une utilisation de secours et retirez le couvercle décoratif du trou de charnière, le capuchon et les vis de l'autre côté.



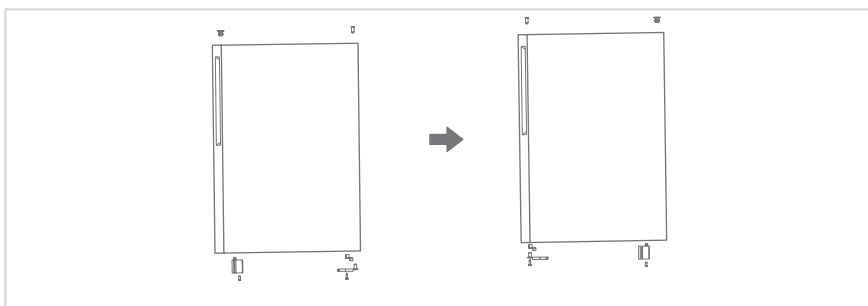
4. Retirez le corps de la porte du congélateur (veillez à ne pas perdre de petites pièces telles que les manchons d'arbre et les butées de porte) ; Retirez la charnière inférieure, retirez l'arbre de la charnière inférieure et installez-le de l'autre côté de la charnière, retirez la charnière inférieure, retirez l'arbre de la charnière inférieure et installez-le de l'autre côté de la charnière pour une utilisation de secours.



5. Remplacement de la porte de réfrigération ; Retirez le couvercle décoratif gauche, retirez le couvercle décoratif droit de l'emballage des accessoires et installez-le de l'autre côté du couvercle d'extrémité supérieur ; retirez la porte de réfrigération autobloquante, la butée de porte, retirez la porte gauche autobloquante de l'emballage des accessoires et installez à votre tour la butée de porte et la porte gauche autobloquante sur le côté gauche du couvercle d'extrémité inférieur.

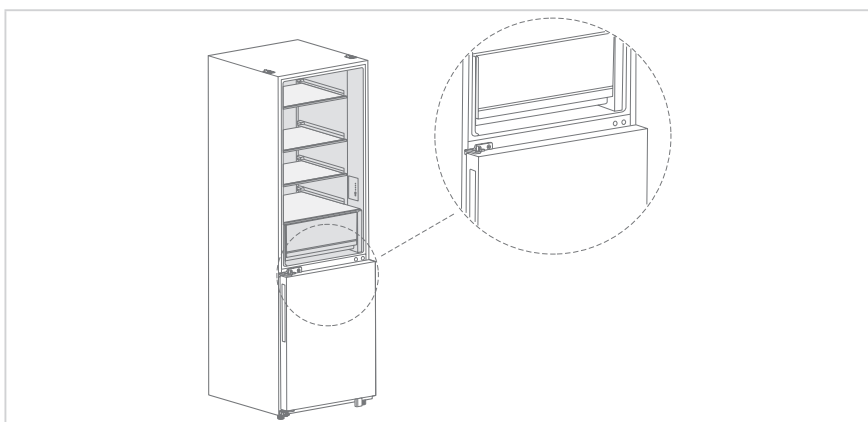


6. Interrupteur de la porte du congélateur ; Retirez le manchon du capuchon d'extrémité supérieure de la porte du congélateur et installez le capuchon dans les positions interchangeables gauche et droite ; Retirez la porte du congélateur autobloquante, la butée de porte et le support de porte, retirez la porte gauche autobloquante de l'emballage des accessoires, installez la butée de porte et la porte gauche autobloquante sur le côté gauche du couvercle d'extrémité inférieur du congélateur à son tour, et installez le support de porte sur le côté droit du couvercle d'extrémité inférieur du congélateur.

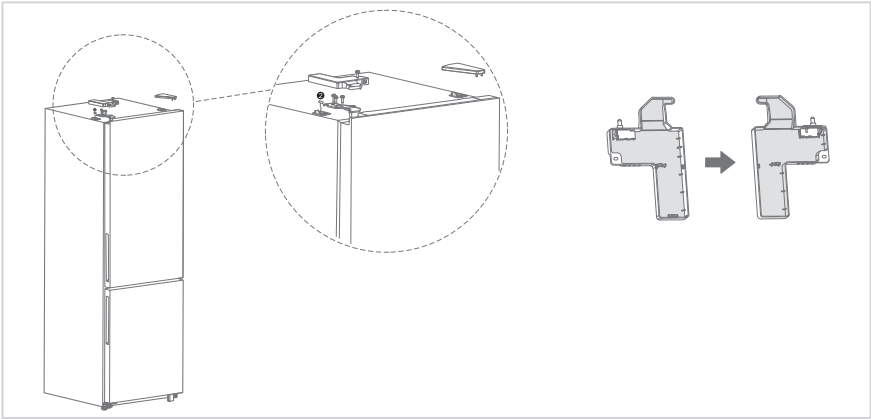


7. Installez la charnière centrale et installez la porte de réfrigération sur la charnière centrale, puis installez la charnière inférieure et couvrez le couvercle décoratif du trou de la charnière.

FR



8. Retirez le couvercle de la charnière supérieure gauche de l'emballage des accessoires, la charnière supérieure gauche, retirez l'interrupteur installé sur le couvercle de la charnière droite et installez-le sur le couvercle de la charnière supérieure gauche ; placez le corps de la porte de réfrigération sur la charnière centrale et installez la charnière supérieure gauche ; connectez la ligne de signal supérieure ② sur le côté gauche du réfrigérateur et l'interrupteur sur le couvercle de la charnière gauche, couvrez et fixez le couvercle de la charnière gauche, et enfin installez le couvercle décoratif du couvercle de la charnière sur le côté droit du corps du réfrigérateur.



FR

⚠ ATTENTION

En raison de modifications techniques et de modèles différents, certaines des illustrations de ce manuel peuvent différer de votre modèle.

- Assurez-vous que votre réfrigérateur est débranché et vide.
- Faites-vous aider par une tierce personne pour cette procédure.
- Conservez toutes les pièces que vous retirez pour les réutiliser plus tard.



Pieds réglables

L'appareil doit être à niveau pour éviter toute vibration.

Il faut tenir compte de l'uniformité du sol dans la mise à niveau.

L'avant de la porte doit être légèrement plus haut que l'arrière pour faciliter sa fermeture.

Les vis de mise à niveau peuvent être facilement tournées en inclinant légèrement l'appareil.

Tournez les vis de mise à niveau dans le sens antihoraire  pour soulever l'appareil, dans le sens horaire  pour l'abaisser.

Déplacement de l'appareil

1. Retirez tous les aliments de l'appareil.
2. Débranchez la fiche d'alimentation, et fixez-là au crochet de prise située à l'arrière ou la placer au-dessus de l'appareil.
3. Collez les pièces telles que les étagères et poignée de porte pour éviter qu'elles ne tombent lors du déplacement de l'appareil.
4. Avec précaution, déplacez l'appareil à l'aide de deux personnes au moins. Lors du transport sur une longue distance, l'appareil doit être maintenu en position verticale.
5. Après l'installation de l'appareil, branchez sa fiche dans une prise de courant pour l'allumer.

FR

ATTENTION

Précautions avant l'utilisation :

Avant d'effectuer tout changement, vous devez débrancher le réfrigérateur de l'alimentation. Des précautions doivent être prises pour éviter toute blessure.

Changement de l'ampoule

- Tout remplacement ou entretien des lampes LED doit être effectué par le fabricant, un agent agréé ou une personne qualifiée similaire.

ATTENTION

Ce produit contient une source lumineuse de classe d'efficacité énergétique (G).

Branchement de l'appareil

Après l'installation de l'appareil, branchez la fiche d'alimentation dans une prise de courant.

ATTENTION

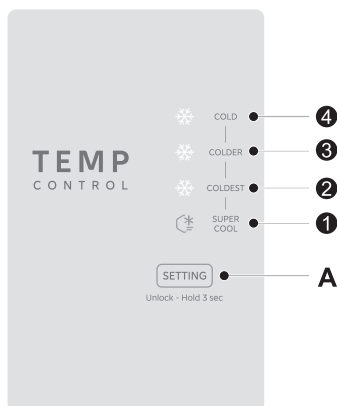
Après avoir branché la fiche d'alimentation dans une prise, il faut attendre 2 à 3 heures avant de mettre des aliments dans l'appareil. Les aliments risquent de s'abîmer si vous les mettez avant le refroidissement de l'appareil.

Conseils relatifs à l'économie d'énergie

- L'appareil ne doit pas être placé à côté de cuisinières, radiateurs ou toute autre source de chaleur. Si la température ambiante est élevée, le compresseur fonctionne plus fréquemment et plus longtemps, ce qui entraîne une augmentation de la consommation d'énergie.
- Assurez-vous qu'il y a une ventilation suffisante au niveau de la base, sur les côtés et à l'arrière de l'appareil. Il ne faut jamais couvrir les fentes de ventilation.
- Il faut également respecter les dégagements du chapitre « Installation ».
- La disposition des bacs, étagères et balconnets de porte comme indiqué sur l'illustration offre une utilisation plus efficace de l'énergie et doit donc être conservée autant que possible. Tous les bacs et étagères doivent rester dans l'appareil pour maintenir une température stable et économiser de l'énergie.
- Pour obtenir un plus grand espace de stockage (par exemple pour les gros produits réfrigérés/congelés), les bacs du milieu peuvent être retirés. Les bacs supérieurs et inférieurs et les étagères doivent être retirés en dernier si nécessaire.
- Un compartiment réfrigérateur/congélateur rempli uniformément contribue à une utilisation optimale de l'énergie. Ainsi, il faut éviter les compartiments vides ou à moitié vides.
- Laissez refroidir les aliments chauds avant de les mettre dans le réfrigérateur/congélateur. Les aliments déjà augmentent l'efficacité énergétique.
- Les aliments congelés doivent être décongelés dans le réfrigérateur. La froideur des aliments congelés réduit la consommation d'énergie dans le réfrigérateur et augmente ainsi l'efficacité énergétique.
- Ouvrez la porte aussi brièvement que nécessaire pour minimiser toute perte de froid. L'ouverture/fermeture de la porte brièvement réduit la consommation d'énergie.
- Les joints de porte de l'appareil doivent être parfaitement intacts pour faciliter la fermeture des portes et éviter que la consommation d'énergie ne soit pas augmentée inutilement.

INSTRUCTIONS D'UTILISATION

Panneau de commande



FR

Bouton

A	Bouton de réglage de la température
---	-------------------------------------

Écran

1	LED 1 (SUPER RÉFRIGÉRATION)
2	LED 2 (2 °C/LE PLUS FROID)
3	LED 3 (4 °C/PLUS FROID)
4	LED 4 (8 °C/FROID)

Écran

- Lorsqu'il est mis sous tension pour la première fois, il sera entièrement affiché pendant 3 secondes, puis s'affichera normalement ; (réglé sur une vitesse de 4 °C pour la première fois).
- Lorsqu'une anomalie se produit, il présente le code de celle-ci (en mode d'affichage de cyclique). Dans un état normal, c'est la vitesse de réglage du réfrigérateur qui est affichée au lieu d'un code d'anomalie.
- Dans des circonstances normales, après 15 secondes sans action sur la touche, le réglage prendra effet.

Verrouillage et déverrouillage

- Appuyez et maintenez enfoncé pendant 3 secondes pour déverrouiller, la LED clignote pour indiquer que le déverrouillage est réussi, et le verrou est automatiquement verrouillé après 15 secondes sans qu'on ait besoin d'appuyer sur le bouton.

ATTENTION

Le panneau de commande réel peut être différent d'un modèle à l'autre.

Mode d'emploi

Réglage de la vitesse

- Appuyez une fois sur le bouton de SETTING pour modifier le réglage de la température.
- Ajustez par rapport à la vitesse pour : LED 4 -> LED 3 -> LED 2 -> LED 1 -> LED 4

Mode de réfrigération rapide

Mode de saisie :

- Appuyez sur la touche de contrôle de la température pour allumer la LED 1.

Fonctionnement du mode :

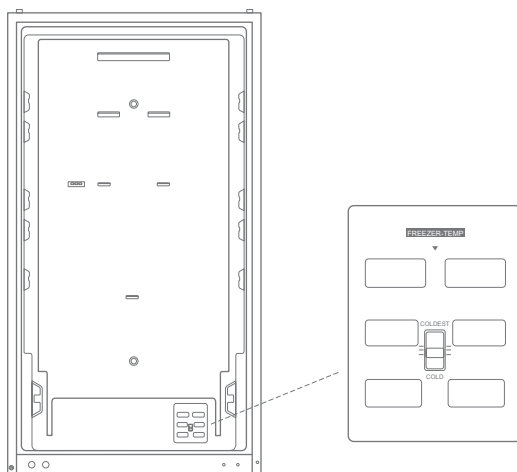
- Le compresseur fonctionne à la vitesse maximale de la température ambiante actuelle.
- Le ventilateur fonctionne à la vitesse actuelle -1 (la priorité est inférieure à la surcharge).
- Faites fonctionner selon le point de démarrage-arrêt de la vitesse de refroidissement rapide de 2 degrés et ne dégivrez pas pendant la période de congélation rapide (sauf pour le dégivrage sous tension).
- Dégivrage effectué après la sortie du refroidissement rapide.

Sortie du mode :

- Réglez la température pour quitter le mode de refroidissement rapide.
- Quittez après 16 heures de fonctionnement en mode refroidissement rapide.

Réglage de la palette du conduit d'air

Tournez le coulisseau du volet d'air vers le haut, la température réelle à l'intérieur du compartiment de congélation baissera, tournez le coulisseau du volet d'air vers le bas, la température réelle à l'intérieur du compartiment de congélation augmentera.



Code d'erreur

- Les avertissements suivants, qui apparaissent à l'écran, indiquent les défauts correspondants du réfrigérateur. Bien que le réfrigérateur puisse encore avoir une fonction de refroidissement et de congélation avec les défauts suivants, l'utilisateur doit contacter un spécialiste de la maintenance pour l'entretien, afin de garantir une utilisation normale du réfrigérateur.

Code d'erreur	Description du défaut
Les LED 1 et LED 2 clignotent	Panne du capteur de température du réfrigérateur
Les LED 1 et LED 3 clignotent	Panne du capteur de dégivrage du congélateur
Les LED 1 et LED 4 clignotent	Erreur du capteur de température ambiante

Conseils pour la conservation des aliments

Compartiment du congélateur


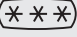


- Le congélateur est destiné au stockage d'aliments à long terme congelés à très basse température, et à la production de glace.
- N'utilisez les balconnets de porte du congélateur que pour stocker des aliments congelés, et non pour des aliments chauds destinés à être congelés.
- Ne mettez pas les aliments frais et congelés les uns à côté des autres. Les aliments congelés peuvent fondre.
- Lorsque vous congelez des aliments frais (viande, poisson ou viande hachée), il faut les couper en morceaux pouvant être utilisés en même temps.
- Conservation des aliments congelés : des instructions sont généralement indiquées sur les emballages, qui doivent être respectées. S'il n'y a aucune information sur l'emballage, les aliments ne doivent pas être conservés plus de trois mois à compter de la date d'achat.
- Lors de l'achat d'aliments congelés, il faut s'assurer qu'ils ont été congelés à une température appropriée et que l'emballage n'est pas endommagé.
- Les aliments congelés doivent être conservés dans des emballages appropriés pour en conserver la qualité et doivent être remis dans le compartiment congélateur dès que possible.
- Si un emballage d'aliments congelés présente de l'humidité ou un renflement anormal, il est probable qu'il ait été conservé à la mauvaise température et que le contenu soit abîmé.
- La durée de conservation des aliments congelés dépend de la température ambiante, du réglage du thermostat, de la fréquence d'ouverture de la porte du congélateur, du type d'aliment et du temps de transport du magasin jusqu'à chez vous. Suivez toujours les instructions de l'emballage et ne dépassez jamais la durée de stockage maximale indiquée.

Compartiment de refroidissement

- Pour réduire l'humidité et l'accumulation de glace qui en résulte, ne mettez jamais de liquide dans le réfrigérateur dans des récipients non fermés hermétiquement. La gelée a tendance à se concentrer dans les parties les plus froides de l'évaporateur. Le stockage de liquides non couverts entraîne une décongélation plus fréquente.
- Ne mettez jamais d'aliments chauds dans le réfrigérateur. Ceux-ci doivent d'abord être refroidis à température ambiante, puis placés de manière à assurer une circulation d'air adéquate dans le réfrigérateur.
- Les aliments et les récipients ne doivent pas toucher la paroi arrière du réfrigérateur, car ils pourraient geler. Il ne faut pas ouvrir régulièrement la porte du réfrigérateur.
- La viande et le poisson écaillé (placés dans un emballage ou une feuille de plastique) placés au réfrigérateur peuvent être utilisés dans 1 ou 2 jours.
- Les fruits et légumes sans emballage peuvent être placés dans la partie réservée aux fruits et légumes frais.

ATTENTION

Le réglage optimal de la température de chaque compartiment dépend de la température ambiante. La température optimale ci-dessus est basée sur la température ambiante de 25 °C.

Ordre	Type de compartiment	Temp. de stockage cible [°C]	Aliments appropriés
1	Frigo	$+2 \leq x \leq +8$	Œufs, aliments cuits, aliments emballés, fruits et légumes, produits laitiers, gâteaux, boissons et autres aliments ne conviennent pas à la congélation.
2	 Classement quatre étoiles gelé	$x \leq -18$	Grâce à sa capacité de congélation et à sa vitesse de congélation rapide, il permet de congeler et de conserver rapidement les aliments. Convient aux aliments frais congelés tels que les fruits de mer (poissons, crevettes, crustacés), les produits aquatiques d'eau douce et les produits carnés. Recommandé pendant 3 - 6 mois, Une durée de conservation prolongée entraîne la perte du goût et des éléments nutritifs.
3	 Classement trois étoiles gelé	$x \leq -18$	Avec des capacités de congélation. Convient aux aliments frais congelés tels que les fruits de mer (poissons, crevettes, crustacés), les produits aquatiques d'eau douce et les produits carnés. Recommandé : pas plus de 3 mois.
4	 Classement deux étoiles gelé	$x \leq -12$	Ne convient que pour le stockage à moyen terme d'aliments déjà congelés, par exemple la crème glacée. Recommandé : pas plus de 1 mois.
5	 Classement une étoile gelé	$x \leq -6$	Ne convient que pour la réfrigération et le stockage à court terme de petites quantités d'aliments déjà congelés. Recommandé : pas plus d'une semaine.
6	0-étoile	$-6 \leq x \leq 0$	Porc frais, bœuf, poisson, poulet, certains aliments transformés emballés, etc. (recommandés de manger dans la même journée, de préférence pas plus de 3 jours). Aliments transformés partiellement emballés (aliments non congelables).
7	Froid	$-2 \leq x \leq +3$	Porc frais/congelé, bœuf, poulet, produits aquatiques d'eau douce, etc. (7 jours en dessous de 0 °C et au-dessus de 0 °C recommandés pour une consommation dans la journée, de préférence pas plus de 2 jours). Fruits de mer en dessous de 0 C pendant 15 jours, il n'est pas recommandé de les conserver à une température supérieure à 0 °C.
8	Aliments frais	$0 \leq x \leq +4$	Porc frais, bœuf, poisson, poulet, plats cuisinés, etc. (recommandés de manger dans la même journée, de préférence pas plus de 3 jours)
9	Vin	$+5 \leq x \leq +20$	Vin rouge, vin blanc, vin mousseux, etc.

● ATTENTION

Il faut stocker différents aliments en fonction des compartiments ou de la température cible.

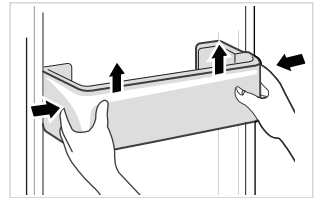
NETTOYAGE ET ENTRETIEN

Décongélation

- Le réfrigérateur est fabriqué selon le principe de refroidissement par air et dispose donc d'une fonction de dégivrage automatique. Le givre formé en raison du changement de saison ou de température peut également être éliminé manuellement en débranchant l'appareil ou en l'essuyant avec une serviette sèche.

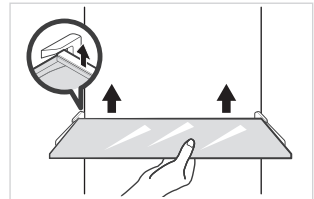
Nettoyage du plateau de porte

- Selon la flèche de direction dans la figure ci-dessous, utilisez les deux mains pour presser le plateau et poussez-le vers le haut pour pouvoir le sortir par la suite.
- Après avoir lavé le plateau retiré, vous pouvez ajuster sa hauteur en fonction de vos besoins.



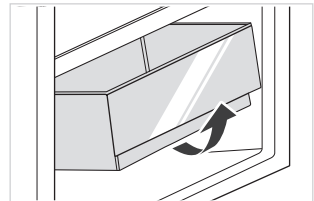
Nettoyage de l'étagère en verre

- Comme la partie la plus interne de la cuve du réfrigérateur, où se trouvent les étagères, est dotée d'une butée arrière, vous devez soulever les étagères vers le haut pour pouvoir les retirer.
- Ajustez ou nettoyez les étagères en fonction de vos besoins.



Nettoyage du bac à légumes

- Retirez le contenu du bac. Tenez la poignée du bac à légumes et tirez complètement jusqu'à ce qu'il s'arrête.
- Soulevez le bac à légumes et le retirer en le tirant vers l'extérieur.



ATTENTION

Pour le nettoyage, nous recommandons des serviettes douces ou une éponge trempée dans de l'eau claire et des détergents neutres non corrosifs. Le congélateur doit être finalement nettoyé à l'eau claire et avec un chiffon sec. Ouvrez la porte pour un séchage naturel avant de mettre l'appareil sous tension. N'utilisez pas de brosses dures, de billes de nettoyage en acier, de brosses métalliques, d'abrasifs tels que le dentifrice, de solvants organiques (tels que l'alcool, l'acétone, l'huile de banane, etc.), de l'eau bouillante, des produits acides ou alcalins ; nettoyez le congélateur en sachant que cela peut endommager la surface et l'intérieur du congélateur.

DÉPANNAGE

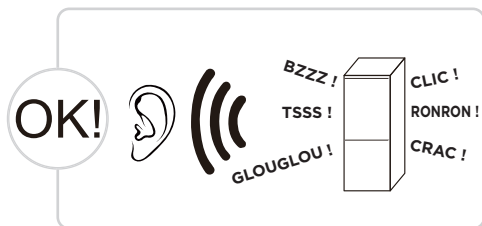
Les problèmes simples suivants peuvent être traités par l'utilisateur. Appelez le service après-vente si ces problèmes ne sont pas réglés.

Problème	Cause possible
Échec de l'opération	• Vérifiez si l'appareil est branché au secteur ou si la fiche est bien en contact
	• Vérifiez si la tension est trop basse
	• Vérifiez s'il y a une panne de courant ou des circuits partiels se sont déclenchés
Odeur	• Les aliments susceptibles d'émettre des odeurs doivent être bien enveloppés
	• Vérifiez s'il y a des aliments pourris
	• Nettoyez l'intérieur du réfrigérateur
Le compresseur fonctionne pour longtemps	• Un fonctionnement prolongé du réfrigérateur est normal en été lorsque la température ambiante est élevée
	• Il n'est pas recommandable d'avoir trop d'aliments dans l'appareil en même temps
	• Les aliments doivent refroidir avant d'être mis dans l'appareil
	• Les portes sont ouvertes trop fréquemment
La lumière ne s'allume pas	• Vérifiez si le réfrigérateur est branché à l'alimentation électrique et si la lumière est endommagée
	• Faites remplacer la lumière par un professionnel
La porte ne peut pas se fermer correctement	• La porte est coincée par des aliments
	• Le réfrigérateur est incliné.
Bruits forts	• Vérifiez si le sol est bien horizontal et si le réfrigérateur est placé de manière stable
	• Vérifiez si les accessoires sont placés aux bons endroits

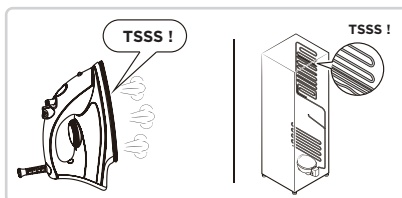
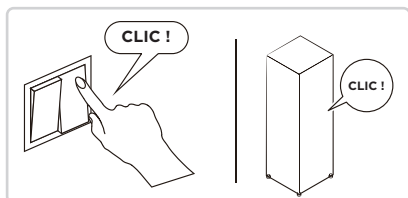
FR

Problème	Cause possible
Le joint d'étanchéité de la porte n'est pas serré	<ul style="list-style-type: none"> • Éliminez tout corps étranger sur le joint de la porte • Chauffez puis refroidissez le joint d'étanchéité de la porte pour le restaurer (ou soufflez dessus avec un séchoir électrique ou utilisez une serviette pour le chauffage)
Débordement du bac à eau	<ul style="list-style-type: none"> • Il y a trop de nourriture dans le compartiment ou les aliments conservés contiennent trop d'eau, ce qui entraîne un dégivrage important • Les portes ne sont pas fermées correctement, cela entraîne un dégivrage dû à l'entrée d'air et une augmentation d'eau
Boîtier chaud	<ul style="list-style-type: none"> • La dissipation de la chaleur du condenseur intégré à l'aide du boîtier est normale. Lorsque le boîtier devient chaud en raison d'une température ambiante élevée, de la conservation d'une trop grande quantité d'aliments ou de l'arrêt du compresseur, il faut prévoir une bonne ventilation pour faciliter la dissipation de la chaleur
Condensation de surface	<ul style="list-style-type: none"> • La condensation sur la surface extérieure et sur les joints d'étanchéité de porte du réfrigérateur est normale lorsque l'humidité ambiante est trop élevée. Il suffit d'essuyer la condensation avec une serviette propre.
Bruit anormal	<ul style="list-style-type: none"> • Bourdonnement : le compresseur peut produire des vrombissements qui sont forts en particulier au démarrage ou à l'arrêt. C'est normal. • Crac : le fluide frigorigène qui circule à l'intérieur de l'appareil peut produire des craquements, ce qui est normal.

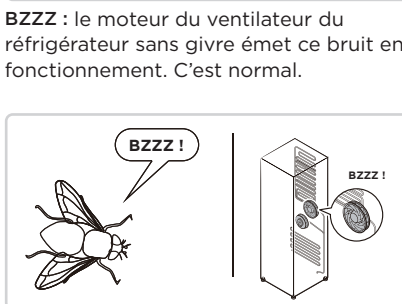
Entendez-vous les bruits particuliers suivants ? Ces bruits sont généralement normaux.



CLIC : certaines pièces électriques du réfrigérateur, telles que la vanne électrique, à l'écoulement du fluide frigorigène dans émettent ce bruit en fonctionnement. C'est normal.

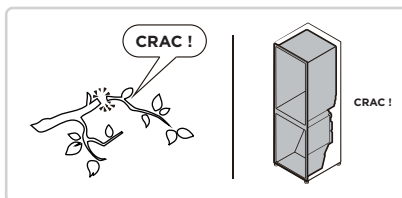
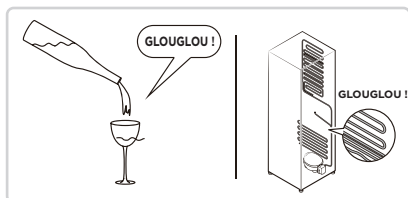


RONRON : le compresseur émet ce bruit en fonctionnement et ces bourdonnements sont très forts, en particulier au démarrage et à l'arrêt. C'est normal.



GLOUGLOU : ce bruit est émis par le fluide frigorigène qui circule dans les tuyaux du réfrigérateur. C'est normal.

CRAC : bruit de craquement ou de glace brisée. La structure globale du réfrigérateur, le givre sur les conduits d'air produisent ce bruit du à la dilatation et à la contraction thermiques. Ces phénomènes physiques sont normaux.



ANNEXE

Spécial pour la nouvelle norme européenne

Les pièces commandées dans le tableau suivant peuvent être obtenues par un canal de fournisseur de services

Pièce commandée	Fourni par	Temps minimum requis pour la fourniture
Thermostats	Personnel professionnel de maintenance	Au moins 7 ans après le lancement du dernier modèle sur le marché
Capteurs de température	Personnel professionnel de maintenance	Au moins 7 ans après le lancement du dernier modèle sur le marché
Cartes de circuit imprimé	Personnel professionnel de maintenance	Au moins 7 ans après le lancement du dernier modèle sur le marché
Sources de lumière	Personnel professionnel de maintenance	Au moins 7 ans après le lancement du dernier modèle sur le marché
Poignées de porte	Réparateurs professionnels et utilisateurs	Au moins 7 ans après le lancement du dernier modèle sur le marché
Charnières de porte	Réparateurs professionnels et utilisateurs	Au moins 7 ans après le lancement du dernier modèle sur le marché
Tiroirs	Réparateurs professionnels et utilisateurs	Au moins 7 ans après le lancement du dernier modèle sur le marché
Paniers	Réparateurs professionnels et utilisateurs	Au moins 7 ans après le lancement du dernier modèle sur le marché
Joints d'étanchéité de la porte	Réparateurs professionnels et utilisateurs	Au moins 10 ans après le lancement du dernier modèle sur le marché

Chère cliente

1. Pour retourner ou remplacer le produit, il faut d'abord contacter le magasin où vous l'avez acheté.
(N'oubliez pas de joindre la facture d'achat)
2. Si votre produit tombe en panne et doit être réparé, il faut contacter le service après-vente.

ATTENTION

Les informations sur le modèle dans la base de données des produits, ainsi que l'identificateur du modèle, peuvent être obtenues au moyen d'un lien web scanné par code QR, le cas échéant, sur l'étiquette d'efficacité énergétique du produit.

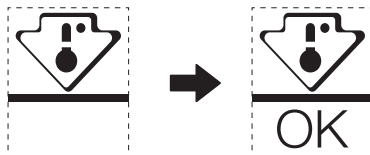
Pour plus d'informations sur l'efficacité énergétique de l'appareil, rendez-vous sur <https://ec.europa.eu> et recherchez par le nom du modèle.

Le nom du modèle se trouve sur la plaque signalétique de l'appareil.

Zone la plus froide du réfrigérateur

EN OPTION : OK-indicateur de température

- L'indicateur de température OK peut être utilisé pour déterminer des températures inférieures à +4 °C. Réduisez progressivement la température si le signe n'indique pas « OK ».



- Pour garantir la température dans cette zone, ne changez pas l'emplacement de l'étagère. Dans les réfrigérateurs à air pulsé (équipés d'un ventilateur ou modèles sans givre), le symbole de la zone la plus froide n'est pas représenté car la température à l'intérieur est homogène.

FR

Réglage de l'indicateur de température

- Pour vous aider à bien régler votre réfrigérateur, celui-ci est équipé d'un indicateur de température qui surveille la température moyenne dans la zone la plus froide.
- **AVERTISSEMENT** : Cet indicateur ne fonctionne qu'avec votre réfrigérateur, ne l'utilisez pas dans un autre réfrigérateur (en effet, la zone la plus froide n'est pas la même), ou pour autre chose.

Vérification de la température dans la zone la plus froide

- Grâce à l'indicateur de température, vous pouvez vérifier régulièrement que la température de la zone la plus froide est correcte. En effet, la température interne du réfrigérateur dépend de plusieurs facteurs tels que la température ambiante de la pièce, la quantité d'aliments stockés et la fréquence d'ouverture des portes. Il faut tenir compte de ces facteurs lors du réglage du réfrigérateur.
- Lorsque l'indicateur affiche « OK », cela signifie que le thermostat est bien réglé et que la température intérieure est correcte.
- Si l'indicateur de température devient BLANC, cela signifie que la température est trop élevée, dans ce cas, augmentez le réglage de la température et patientez 12 heures avant d'effectuer une nouvelle inspection visuelle de l'indicateur. Lorsque des aliments frais ont été introduits ou que la porte a été laissée ouverte, il est possible que l'indicateur de température devienne BLANC au bout d'un certain temps.

CARTA DE AGRADECIMIENTO

¡Gracias por elegir Midea! Antes de utilizar su nuevo producto Midea, lea detenidamente este manual para asegurarse de que sabe cómo manejar las características y funciones que le ofrece su nuevo electrodoméstico de forma segura.

CONTENIDOS

CARTA DE AGRADECIMIENTO	01
ESPECIFICACIONES	02
VISTA GENERAL DEL PRODUCTO.....	03
INSTALACIÓN DEL PRODUCTO	05
INSTRUCCIONES DE FUNCIONAMIENTO	13
LIMPIEZA Y MANTENIMIENTO.....	18
RESOLUCIÓN DE PROBLEMAS.....	19
APÉNDICE.....	22

ES

ESPECIFICACIONES

Modelo del producto	MDRB548MME*
Tensión nominal/Frecuencia	220-240 V-/50 Hz
Corriente nominal	1,4 A
Volumen total	401 L
Volumen del compartimento de almacenamiento de alimentos frescos	271 L
Volumen de compartimento de cuatro estrellas	130 L
Capacidad de congelación	8,0 kg/24 h
Tiempo de aumento de temperatura	8 h
Dimensiones totales (An. x Pr. x Al.)	595 x 670 x 1860 mm

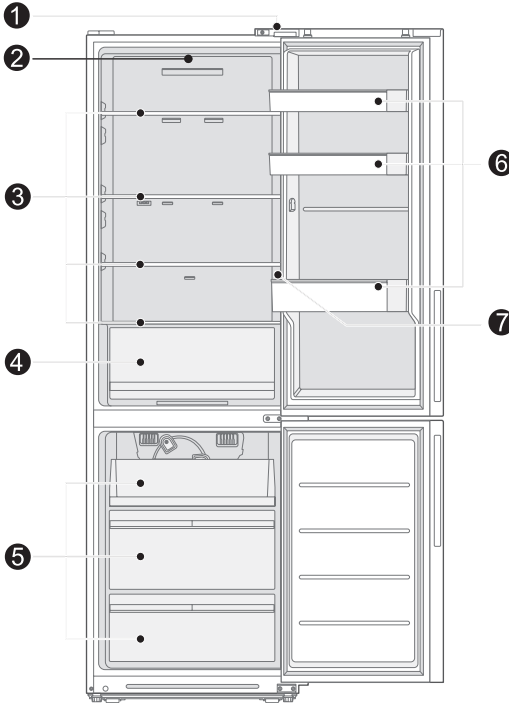
Modelo del producto	MDRB600MME*
Tensión nominal/Frecuencia	220-240 V-/50 Hz
Corriente nominal	1,4 A
Volumen total	443 L
Volumen del compartimento de almacenamiento de alimentos frescos	313 L
Volumen de compartimento de cuatro estrellas	130 L
Capacidad de congelación	8,0 kg/24 h
Tiempo de aumento de temperatura	8 h
Dimensiones totales (An. x Pr. x Al.)	595 x 670 x 2010 mm

ES

VISTA GENERAL DEL PRODUCTO

Nombres de los componentes

MDRB548MME*

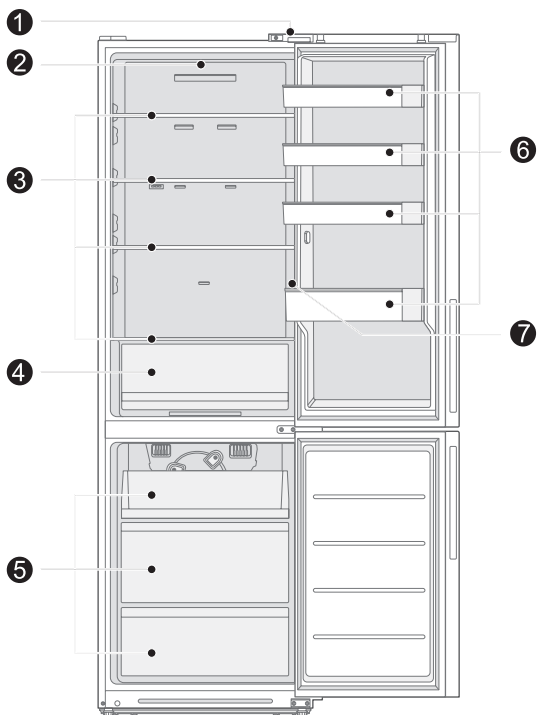


- | | | | |
|---|----------------------------|---|----------------------|
| 1 | Interruptor de la puerta | 5 | Cajón |
| 2 | Luz LED | 6 | Bandeja de la puerta |
| 3 | Estante | 7 | Panel de control |
| 4 | Cajón de frutas y verduras | | |

● ATENCIÓN

La imagen que aparece arriba tiene solo una finalidad de referencia. La configuración real dependerá del producto físico o declaración por parte del distribuidor.

MDRB600ME*



- | | | | |
|---|----------------------------|---|----------------------|
| 1 | Interruptor de la puerta | 5 | Cajón |
| 2 | Luz LED | 6 | Bandeja de la puerta |
| 3 | Estante | 7 | Panel de control |
| 4 | Cajón de frutas y verduras | | |

● ATENCIÓN

La imagen que aparece arriba tiene solo una finalidad de referencia. La configuración real dependerá del producto físico o declaración por parte del distribuidor.

INSTALACIÓN DEL PRODUCTO

Instrucciones de instalación

Para aparatos frigoríficos con clase climática

- Dependiendo de la clase climática, este aparato de refrigeración está diseñado para usarse dentro de los rangos de temperaturas ambiente especificados en la siguiente tabla.
- La clase climática se puede encontrar en la placa de características. El producto podría no funcionar adecuadamente a temperaturas que no estén comprendidas en el rango especificado.
- Puede encontrar la clase de clima en la etiqueta del producto.

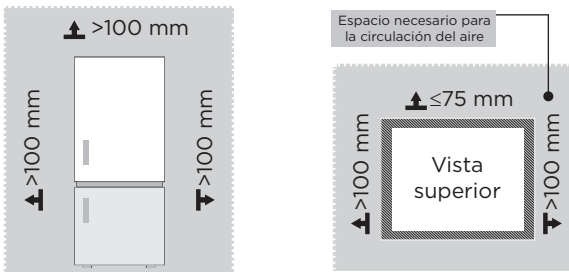
Rango de temperatura efectiva

- El frigorífico está diseñado para funcionar con normalidad dentro del rango de temperaturas especificado en su clasificación.

Clase	Símbolo	Rango de la temperatura ambiente °C	
		IEC 62552 (ISO 15502)	ISO 8561
Templado prolongado	SN	+ 10 hasta + 32	+ 10 hasta + 32
Templado	N	+ 16 hasta + 32	+ 16 hasta + 32
Subtropical	ST	+ 16 hasta + 38	+ 18 hasta + 38
Tropical	T	+ 16 hasta + 43	+ 18 hasta + 43

Dimensiones y distancias

- Mantenga libre la circulación de aire alrededor del aparato. Cuando instale la unidad, asegúrese de que haya 10 cm de espacio libre a ambos lados, 10 cm en la parte superior y no más de 7,5 cm en la parte posterior de la unidad.



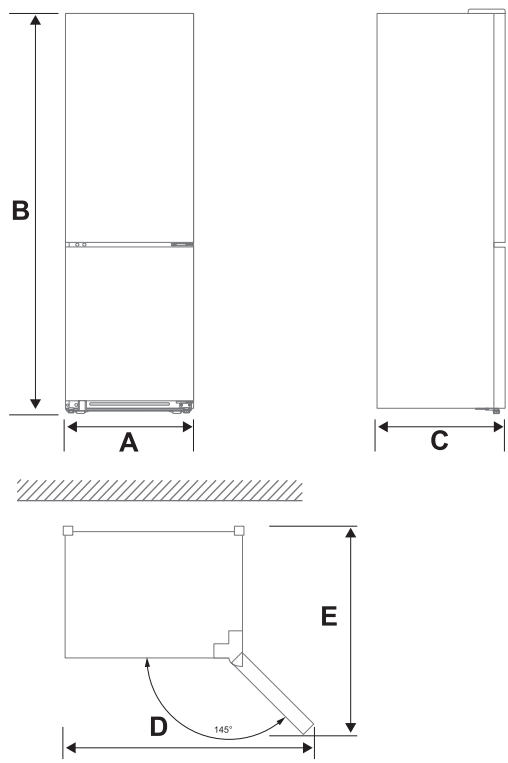
ATTENTION

La imagen que aparece arriba tiene solo una finalidad de referencia. La configuración real dependerá del producto físico o declaración por parte del distribuidor.

ES

Diagrama de requerimientos de espacio (cuando la puerta esté abierta y cuando la puerta esté cerrada)

ES



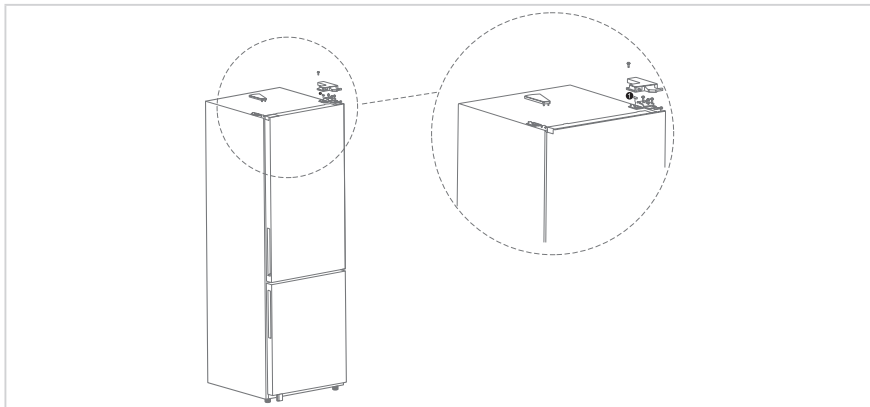
Modelo	Anchura	Altura general	Profundidad	Anchura con las puertas abiertas 145°	Profundidad con las puertas abiertas 145°
	A	B	C	D	E
MDRB548MME*	595	1860	670	960	1070
MDRB600MME*	595	2010	670	960	1070

Aviso: Todas las dimensiones son en milímetros.

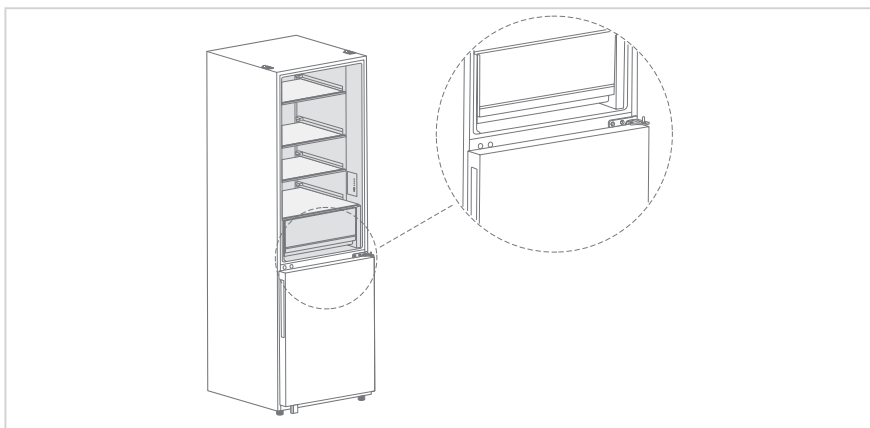
Inversión de la puerta

En función de la ubicación en la que vaya a utilizar el frigorífico, puede que le resulte más cómodo invertir la posición de la puerta.

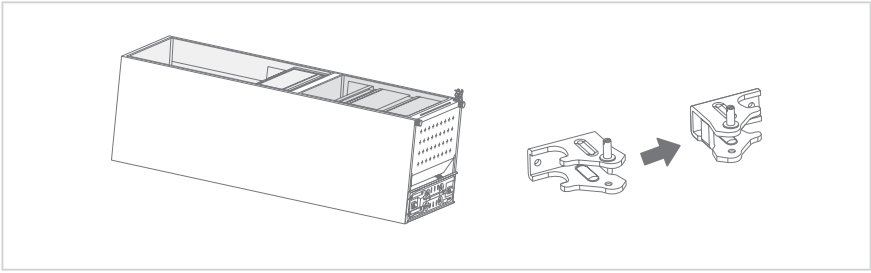
1. Retire los elementos del cuerpo de la puerta.
2. Retire la cubierta decorativa de la bisagra superior izquierda, la cubierta de la bisagra superior derecha, la bisagra superior derecha, desconecte la línea de señal en la parte superior derecha del cuerpo del frigorífico (1 línea de señal).



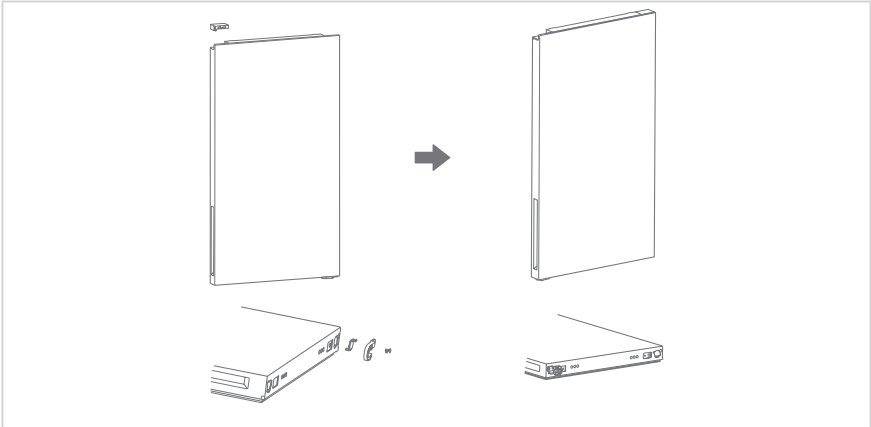
3. Retire el cuerpo de la puerta del frigorífico (preste atención para no perder piezas pequeñas, como los topes de la puerta); retire la bisagra central para uso de reserva y retire la cubierta decorativa del orificio de la bisagra, la tapa y los tornillos del otro lado.



4. Retire el cuerpo de la puerta del congelador (tenga cuidado de no perder piezas pequeñas como los manguitos del eje y los topes de la puerta); retire la bisagra inferior, retire el eje de la bisagra inferior e instálelo en el otro lado de la bisagra, retire la bisagra inferior, retire el eje de la bisagra inferior e instálelo en el otro lado de la bisagra para utilizarlo como reserva.

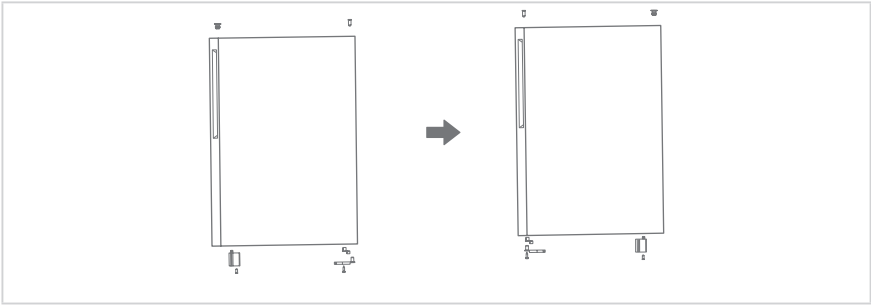


5. Sustitución de la puerta de refrigeración: retire la cubierta decorativa izquierda, retire la cubierta decorativa derecha del paquete de accesorios e instálela en el otro lado de la cubierta del extremo superior; retire el autobloqueo de la puerta de refrigeración, el tope de la puerta, retire el autobloqueo de la puerta izquierda del paquete de accesorios e instale el tope de la puerta y el autobloqueo de la puerta izquierda en el lado izquierdo de la cubierta del extremo inferior a su vez.

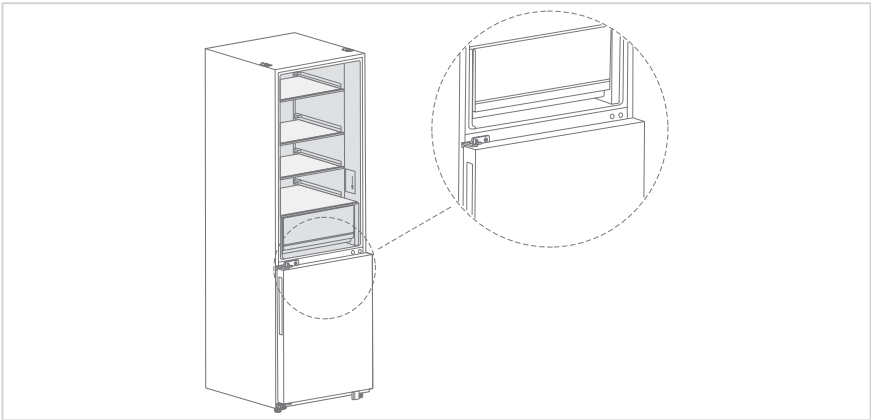


6. Interruptor de la puerta del congelador: retire el manguito de la tapa del extremo superior de la puerta del congelador e instale la tapa en las posiciones intercambiables izquierda y derecha; retire el autobloqueo de la puerta del congelador, el tope de la puerta y el soporte de la puerta, retire el autobloqueo de la puerta izquierda del paquete de accesorios, instale el tope de la puerta y el autobloqueo de la puerta izquierda en el lado izquierdo de la cubierta del extremo inferior del congelador a su vez, e instale el soporte de la puerta en el lado derecho de la cubierta del extremo inferior del congelador.

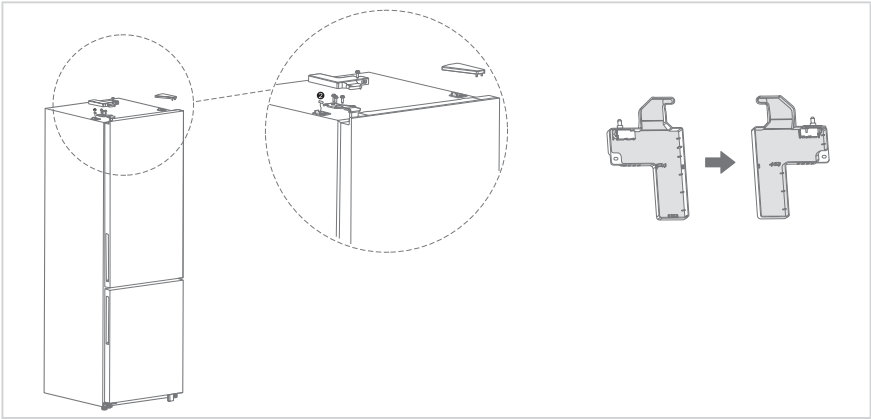
ES



7. Instale la bisagra central e instale la puerta de refrigeración en la bisagra central, luego, instale la bisagra inferior y tape la cubierta decorativa del orificio de la bisagra.



8. Retire la cubierta de la bisagra superior izquierda del paquete de accesorios, la bisagra superior izquierda, retire el interruptor instalado en la cubierta de la bisagra superior derecha e instálelo en la cubierta de la bisagra superior izquierda; coloque el cuerpo de la puerta del frigorífico en la bisagra central e instale la bisagra superior izquierda; conecte la línea de señal ② superior del lado izquierdo del frigorífico y el interruptor en la cubierta de la bisagra izquierda, cubra y fije la cubierta de la bisagra izquierda y, por último, instale la cubierta decorativa de la cubierta de la bisagra en el lado derecho del cuerpo del frigorífico.



ES

ATTENTION

Debido a cambios técnicos y a los diferentes modelos, algunas de las ilustraciones de este manual pueden diferir de su modelo.

- Asegúrese de que su frigorífico está desenchufado y vacío.
- Tenga a alguien disponible que le ayude en el proceso.
- Guarde todas las piezas que retire para reutilizarlas más adelante.



Nivelación de los pies

Para evitar vibraciones, se debe nivelar la unidad.

Si es necesario, ajuste los tornillos de nivelación para compensar el suelo irregular.

La parte delantera debe ser ligeramente más alta que la trasera para ayudar al cierre de la puerta.

Los tornillos de nivelación se pueden girar con facilidad inclinando ligeramente el aparato.

Gire en sentido antihorario los tornillos de nivelación  para subir la unidad y en sentido horario  para bajarla.

Mover el aparato

1. Saque toda la comida del interior del aparato.
2. Desenchufe el cable de alimentación, inserte el enchufe y fíjelo en el gancho a tal efecto en la parte trasera o superior del aparato.
3. Fije con cinta adhesiva las piezas como las estanterías y el mango de la puerta para que no se caigan cuando se mueva el aparato.
4. Mueva el aparato usando dos o más personas y con cuidado. Cuando transporte el aparato una larga distancia, mantenga el aparato en posición vertical.
5. Tras instalar el aparato, conecte el enchufe a una toma de corriente y encienda el aparato.

ATTENTION

Precauciones antes del funcionamiento:

Antes de realizar cualquier modificación, debe desconectar el frigorífico de la corriente. Se deberían tomar precauciones para evitar lesiones personales.

Cambio de lámparas

- Cualquier sustitución o mantenimiento de las bombillas LED está previsto que lo realice el fabricante, su agente de mantenimiento o una persona con una cualificación similar.

ATTENTION

Este producto contiene una fuente lumínica de eficiencia energética clase (G).

Conexión del aparato

Después de instalar el aparato, conecte el enchufe de corriente a una toma de red.

ATTENTION

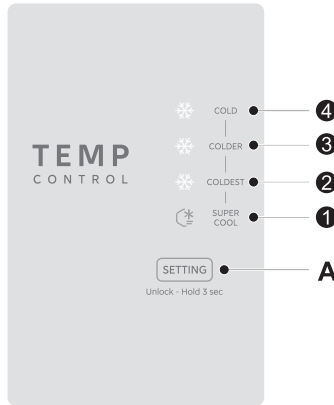
Después de conectar el cable de alimentación (o el enchufe) a la toma, espere 2 o 3 horas antes de introducir los alimentos en el aparato. Si introduce la comida antes de que el aparato se haya enfriado por completo, los alimentos se pueden estropear.

Consejos para ahorrar energía

- No coloque el aparato cerca de cocinas, radiadores u otras fuentes de calor. Si la temperatura ambiente es alta el compresor funcionará con más frecuencia y durante más tiempo, dando lugar a un mayor consumo energético.
- Compruebe que haya suficiente ventilación en la base del aparato, a los lados y en la parte trasera. Nunca cubra las aberturas de ventilación.
- Tenga en cuenta también las dimensiones de las distancias del capítulo «Instalación».
- La disposición de cajones, estantes y estanterías que se muestra en la ilustración garantiza el uso más eficiente de la energía y, por tanto, debe mantenerse en la medida de lo posible. Todos los cajones y estantes deben permanecer en el aparato para mantener la temperatura estable y ahorrar energía.
- Para obtener un espacio de almacenamiento mayor (por ejemplo, para productos refrigerados/congelados de gran tamaño), se pueden retirar los cajones centrales. Los cajones y estantes superiores e inferiores deben retirarse en último lugar si es necesario.
- Para lograr un consumo energético óptimo lo ideal es llenar de manera uniforme el compartimento del frigorífico/congelador. Evite dejar compartimentos vacíos o semivacíos.
- Deje que los alimentos calientes se enfríen antes de meterlos en el frigorífico/congelador. Los alimentos que ya se han enfriado aumentan la eficiencia energética.
- Deje que los alimentos congelados se descongelen en el frigorífico. El frío de los alimentos congelados reduce el consumo energético del compartimento del frigorífico y aumenta la eficiencia energética.
- Abra la puerta solo el tiempo necesario para minimizar la pérdida de frío. Abrir la puerta brevemente y cerrarla bien reduce el consumo energético.
- Las juntas de las puertas del aparato deben mantenerse perfectamente intactas para que las puertas cierren bien y el consumo energético no aumente innecesariamente.

INSTRUCCIONES DE FUNCIONAMIENTO

Panel de control



ES

Botón

A Botón de configuración de temperatura

Pantalla de visualización

1	LED1 (SÚPER FRÍO)
2	LED2 (2 °C/MUY FRÍO)
3	LED3 (4 °C/MÁS FRÍO)
4	LED4 (8 °C/FRÍO)

Pantalla

- Cuando se enciende por primera vez, se mostrará completamente durante 3 segundos y luego se mostrará normalmente; (configurado a 4 °C por primera vez).
- Cuando se produce un problema, presenta el código de problema (en un modo de visualización cíclica). En un estado normal, se muestra el equipo establecido del frigorífico en lugar de un código de problema.
- En condiciones normales, tras 15 segundos sin accionar la tecla, el ajuste surtirá efecto.

Bloqueo y desbloqueo

- Mantenga pulsado durante 3 segundos para desbloquear, el LED parpadea para indicar que el desbloqueo se ha realizado correctamente y el bloqueo se bloquea automáticamente después de 15 segundos sin pulsar el botón.

● ATENCIÓN

El panel de control real puede diferir de modelo a modelo.

Instrucciones de funcionamiento

Configuración de engranajes

- Pulse el botón SETTING una vez para cambiar el ajuste de temperatura.
- Ajustar por engranaje a: LED4 - > LED3 - > LED2 - > LED1 - > LED4

Modo de refrigeración rápida

Entrada en modo:

- Pulse la tecla de control de temperatura para encender el LED1.

Modo de funcionamiento:

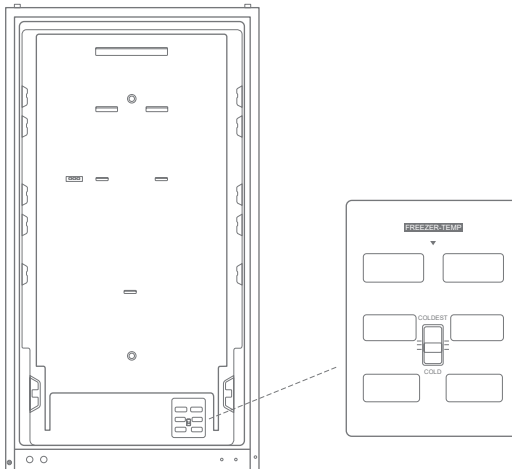
- El compresor funciona a la velocidad máxima de la temperatura ambiente actual.
- El ventilador funciona a la velocidad actual engranaje -1 marcha (la prioridad es inferior a la sobrecarga).
- Funcionará de acuerdo con el punto de arranque y parada del engranaje de enfriamiento rápido de 2 grados y no se descongelará durante el período de congelación rápida (excepto en el caso de descongelación activada).
- Descongelar una vez después de la salida de enfriamiento rápido.

Salida del modo:

- Ajuste la temperatura para salir del modo de enfriamiento rápido.
- Salir después de 16 horas de funcionamiento en modo de enfriamiento rápido.

Ajuste de la paleta del conducto de aire

Gire hacia arriba el control deslizante del regulador de aire y la temperatura real del interior del compartimento congelador bajará; si baja el control deslizante del regulador de aire, la temperatura real del interior del compartimento congelador subirá.



Código de error

- Las siguientes advertencias que aparecen en la pantalla indican los fallos correspondientes del frigorífico. Aunque el frigorífico puede todavía disponer de la función de refrigeración y congelación con los siguientes fallos, el usuario debe ponerse en contacto con un especialista en mantenimiento para el mantenimiento para asegurar el uso normal del frigorífico.

Código de fallo	Descripción del fallo
El LED1 y el LED2 parpadean	Fallo del sensor de temperatura del frigorífico
El LED1 y el LED3 parpadean	Fallo del sensor de descongelación del congelador
El LED1 y el LED4 parpadean	Fallo del sensor de temperatura ambiente

Consejos para el almacenamiento de alimentos

Compartimento del congelador


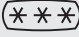


- El congelador está destinado al almacenamiento de alimentos congelados a muy baja temperatura, al almacenamiento a largo plazo de alimentos congelados y a la producción de hielo.
- Utilice los estantes de la puerta del congelador sólo para almacenar alimentos congelados, no para guardar alimentos calientes destinados a la congelación.
- No coloque alimentos frescos y congelados uno al lado del otro. Los alimentos congelados pueden descongelarse.
- Cuando congele alimentos frescos (como carne, pescado o carne picada), córtelos en partes que puedan utilizarse al mismo tiempo.
- Conservación de alimentos congelados: en los envases suelen figurar instrucciones que deben respetarse. Si no hay información en el envase, los alimentos no deben conservarse más de tres meses desde la fecha de compra.
- Cuando compre alimentos congelados, asegúrese de que se han congelado a una temperatura adecuada y de que el envase no está dañado.
- Los alimentos congelados deben conservarse en envases adecuados para mantener su calidad y deben devolverse al congelador lo antes posible.
- Si un paquete de alimentos congelados presenta humedad o un abombamiento anormal, es probable que se haya almacenado a una temperatura incorrecta y el contenido esté estropeado.
- El periodo de conservación de los alimentos congelados depende de la temperatura ambiente, el ajuste del termostato, la frecuencia de apertura de la puerta del congelador, el tipo de alimento y el tiempo de transporte del producto de la tienda al hogar. Siga siempre las instrucciones impresas en el envase y no supere nunca el tiempo máximo de conservación indicado en el mismo.

Compartimento de refrigeración

- Para reducir la humedad y la consiguiente formación de hielo, no introduzca nunca líquidos en el frigorífico en recipientes sin cerrar. La escarcha tiende a concentrarse en las partes más frías del evaporador. Si almacena líquidos sin tapar, necesitará descongelarlos con más frecuencia.
- No introduzca nunca alimentos calientes en el frigorífico. En primer lugar, deben enfriarse a temperatura ambiente y, a continuación, colocarse de forma que se garantice una circulación de aire adecuada en el frigorífico.
- Los alimentos o los recipientes de alimentos no deben tocar la pared trasera del frigorífico porque podrían congelarse en la pared. No abra regularmente la puerta del frigorífico.
- La carne y el pescado limpios (envasados en un paquete o en una lámina de plástico) pueden guardarse en el frigorífico y utilizarse en 1-2 días.
- Las frutas y hortalizas sin envasar pueden colocarse en la parte destinada a las frutas y hortalizas frescas.

ATTENTION

El ajuste óptimo de temperatura de cada compartimento depende de la temperatura ambiente. La temperatura óptima superior se basa en la temperatura ambiente de 25 °C.

Orden	TIPO de compartimentos	Temperatura objetivo de almacenamiento [°C]	Alimentos adecuados
1	Frigorífico	$+2 \leq x \leq +8$	Huevos, alimentos cocinados, alimentos envasados, frutas y verduras, productos lácteos, pasteles, bebidas y otros alimentos no aptos para congelar.
2	 Calificación de congelación de cuatro estrellas	$x \leq -18$	Con capacidad de congelación, velocidad de congelación rápida, puede congelar y almacenar alimentos rápidamente. Adecuado para congelar alimentos frescos como marisco (pescado, gambas, crustáceos), productos acuáticos de agua dulce y productos cárnicos. Recomendado para 3-6 meses, cuanto mayor sea el tiempo de almacenamiento, peor será el sabor y la nutrición.
3	 Calificación de congelación de tres estrellas	$x \leq -18$	Con capacidad de congelación. Adecuado para congelar alimentos frescos como marisco (pescado, gambas, crustáceos), productos acuáticos de agua dulce y productos cárnicos. Recomendado para no más de 3 meses.
4	 Calificación de congelación de dos estrellas	$x \leq -12$	Solo apto para el almacenamiento a medio plazo de alimentos ya congelados, por ejemplo, helados. Se recomienda no más de 1 mes.
5	 Calificación de congelación de una estrella	$x \leq -6$	Solo apto para refrigeración y almacenamiento a corto plazo de pequeñas cantidades de alimentos ya congelados. Se recomienda no más de 1 semana.
6	0 estrellas	$-6 \leq x \leq 0$	Cerdo, ternera, pescado y pollo frescos, algunos alimentos procesados empaquetados, etc. (Consumo recomendado el mismo día, preferentemente antes de 3 días.) Alimentos procesados parcialmente envasados (alimentos no congelables).
7	Frío	$-2 \leq x \leq +3$	Carne fresca/congelada de cerdo, ternera, pollo, marisco fresco, etc. (se recomienda 7 días por debajo de 0 °C y por encima de 0 °C para consumir dentro de ese día, preferiblemente no más de 2 días). Marisco menos de 0 durante 15 días, no se recomienda almacenar por encima de 0 °C.
8	Alimentos frescos	$0 \leq x \leq +4$	Cerdo, ternera, pescado y pollo frescos, alimentos cocinados, etc. (Consumo recomendado el mismo día, preferentemente antes de 3 días.)
9	Vino	$+5 \leq x \leq +20$	Vino tinto, vino espumoso, etc.

ATTENTION

Guarde diferentes alimentos conforme a los compartimentos o la temperatura de almacenamiento objetivo de su compra.

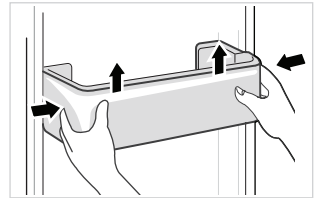
LIMPIEZA Y MANTENIMIENTO

Descongelación

- El frigorífico está fabricado de acuerdo al principio de refrigeración del aire y, por tanto, cuenta con una función de descongelación automática. El hielo formado debido al cambio de estación o temperatura asimismo puede retirarse manualmente mediante la desconexión del aparato de la alimentación o limpiándolo con una toalla seca.

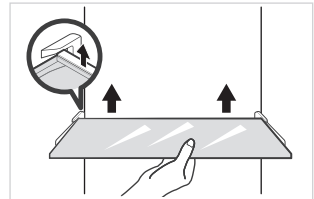
Limpieza de la bandeja de la puerta

- Según la flecha de dirección de la figura que aparece debajo, use ambas manos para apretar la bandeja, empujarla hacia arriba y después puede extraerla.
- Después de sacar y lavar la bandeja, puede ajustar la altura de instalación según sus necesidades.



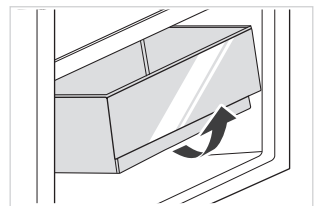
Limpieza del estante de cristal

- Como la parte más interna del revestimiento del frigorífico donde entran en contacto las estanterías dispone de un tope, debe elevar las estanterías y después podrá extraerlas.
- Ajuste o limpie las estanterías según sus necesidades.



Limpieza del cajón de las verduras

1. Retire el contenido del cajón. Sujete el asa del cajón de las verduras y extraígalo completamente hasta que se detenga.
2. Levante hacia arriba el cajón de las verduras y retírelo extrayéndolo.



● ATTENTION

Se sugiere para la limpieza toallas suaves o esponjas empapadas en agua y detergente neutros no corrosivos. El congelador se debe limpiar con agua limpia y un paño seco. Abra la puerta para que se seque de forma natural antes de encenderlo. No use cepillos duros, bolas de acero de limpieza, cepillos de cerdas metálicas, productos abrasivos como dentífricos, disolventes orgánicos (como alcohol, acetona, aceite de plátano, etc.), agua hirviendo, elementos ácidos o alcalinos para limpiar el frigorífico considerando que esto puede dañar la superficie y el interior del frigorífico.

RESOLUCIÓN DE PROBLEMAS

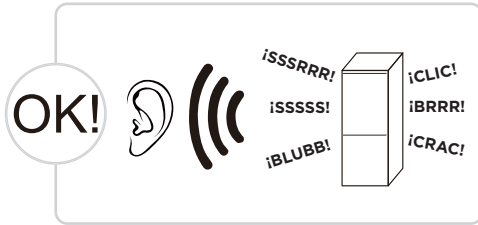
El usuario puede ocuparse de los siguientes problemas simples. Llame al servicio posventa si no se solucionan los problemas.

Problema	Motivo posible
Fallo en el funcionamiento	• Compruebe si el aparato está conectado a la alimentación o si el enchufe tiene bien los contactos
	• Compruebe si la tensión es demasiado baja
	• Compruebe si hay un fallo de corriente o han saltado los circuitos parciales
Mal olor	• Se deben envolver bien los alimentos que produzcan mal olor
	• Compruebe si hay alimentos podridos
	• Limpie el interior del frigorífico
Funcionamiento prolongado del compresor	• Es normal el funcionamiento prolongado del frigorífico en verano cuando la temperatura ambiente es alta
	• No se sugiere tener muchos alimentos en el aparato al mismo tiempo
	• Se deben enfriar los alimentos antes de empezar a ponerlos en el aparato
	• Las puertas se abren con demasiada frecuencia
La luz no se enciende	• Compruebe si el frigorífico está conectado a la alimentación y si la luz que se debe iluminar presenta daños
	• Haga que un especialista cambie la luz
La puerta no se puede cerrar adecuadamente	• La puerta está atascada por los envases de alimentos
	• El frigorífico está inclinado.
Ruidos altos	• Compruebe si el suelo está nivelado y si el frigorífico está colocado de forma estable
	• Compruebe si los accesorios están colocados en las ubicaciones adecuadas

ES

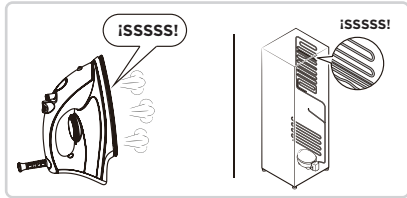
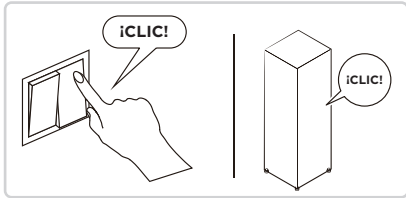
Problema	Motivo posible
El sello de la puerta no está estanco	<ul style="list-style-type: none"> • Retire materiales extraños del sello de la puerta • Caliente el sello de la puerta y después refrigérela para restaurarlo (o sóplelo con un secador eléctrico o use una toalla caliente para calentarlo)
La bandeja de agua se desborda	<ul style="list-style-type: none"> • Hay demasiados alimentos en la cámara o los alimentos almacenados contienen demasiada agua, lo que provoca una grave descongelación • Las puertas no están cerradas debidamente lo que genera hielo debido a la entrada de aire y al aumento de agua debido a la descongelación
Carcasa caliente	<ul style="list-style-type: none"> • Disipación del calor del condensador integrado mediante la carcasa, que es normal cuando la carcasa se calienta debido a una temperatura ambiente elevada, o el almacenamiento de demasiado alimentos o si se cierra del compresor y proporciona una buena ventilación para facilitar la disipación del calor
Condensación de la superficie	<ul style="list-style-type: none"> • La condensación sobre la superficie exterior y los sellos de la puerta del frigorífico es normal cuando la humedad ambiente es demasiado alta. Simplemente limpie la condensación con una toallita limpia.
Ruido anormal	<ul style="list-style-type: none"> • Zumbido: El compresor puede producir zumbidos durante el funcionamiento y son especialmente altos durante el inicio y la parada. Esto es normal. • Crujido: El refrigerante que fluye por el interior del aparato puede producir crujidos, lo que es normal.

¿Oye los siguientes sonidos anormales? Generalmente estos sonidos son normales.



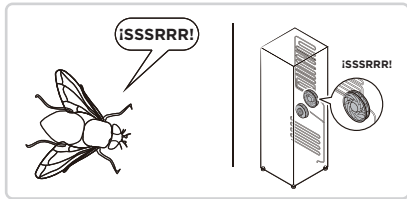
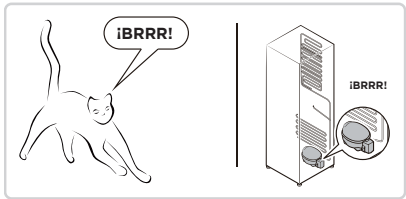
CLIC: Algunas piezas eléctricas del frigorífico, como la válvula eléctrica, hacen este sonido al funcionar. Esto es normal.

Siseo: Cuando el refrigerante fluye dentro del evaporador, hace este ruido. Esto es normal.



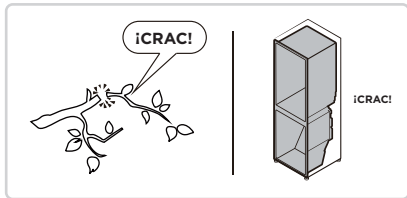
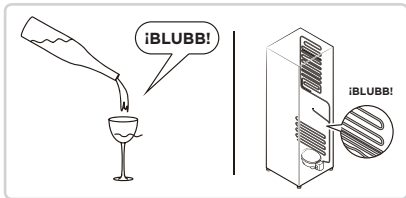
BRRR: El compresor hará este ruido cuando esté funcionando, y suena más fuerte particularmente al arrancar o parar. Esto es normal.

SSSSRRR: El motor del ventilador en los refrigeradores Sin escarcha hace este ruido cuando está funcionando. Esto es normal.



BLUBB: El flujo del refrigerante por los tubos del frigorífico hará este ruido. Esto es normal.

CRAC: Debido a la estructura general del frigorífico, la escarcha en el conducto de aire generará un sonido de expansión durante la dilatación y contracción térmicas. También se trata de fenómenos físicos normales.



ES

APÉNDICE

Especial para el nuevo estándar europeo

Las piezas pedidas que se incluyen en la siguiente tabla se pueden adquirir en la red de proveedores de servicios

Pieza pedida	Proporcionada por	Tiempo mínimo hasta el suministro
Termostatos	Personal profesional de mantenimiento	Al menos 7 años después de que se haya lanzado al mercado el último modelo
Sensores de temperatura	Personal profesional de mantenimiento	Al menos 7 años después de que se haya lanzado al mercado el último modelo
Placas de circuito impreso	Personal profesional de mantenimiento	Al menos 7 años después de que se haya lanzado al mercado el último modelo
Fuentes de luz	Personal profesional de mantenimiento	Al menos 7 años después de que se haya lanzado al mercado el último modelo
Tiradores de la puerta	Reparadores profesionales y usuarios finales	Al menos 7 años después de que se haya lanzado al mercado el último modelo
Bisagras de la puerta	Reparadores profesionales y usuarios finales	Al menos 7 años después de que se haya lanzado al mercado el último modelo
Bandejas	Reparadores profesionales y usuarios finales	Al menos 7 años después de que se haya lanzado al mercado el último modelo
Cestas	Reparadores profesionales y usuarios finales	Al menos 7 años después de que se haya lanzado al mercado el último modelo
Juntas de la puerta	Reparadores profesionales y usuarios finales	Al menos 10 años después de que se haya lanzado al mercado el último modelo

Estimado/a cliente

1. Si desea devolver o cambiar el producto, póngase en contacto con el establecimiento donde lo compró.
(Recuerde llevar la factura de compra)
2. Si el producto se avería y necesita reparación, póngase en contacto con el proveedor de servicio posventa.

ATENCIÓN

La información sobre el modelo incluida en la base de datos de productos, así como el identificador del modelo, se pueden obtener por un enlace al que se accede escaneando un código QR, de haberlo, en la etiqueta de eficiencia energética del producto.

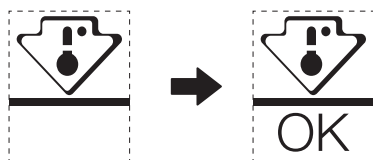
Para obtener más información sobre la eficiencia energética del aparato, visite <https://ec.europa.eu> y realice una búsqueda usando el nombre del modelo.

El nombre del modelo puede encontrarse en la etiqueta identificativa del aparato.

Zona más fría del frigorífico

OPCIONAL: Indicador OK de temperatura

- El indicador OK de temperatura puede usarse para determinar temperaturas inferiores a +4 °C. Reduzca gradualmente la temperatura si el signo no «OK».



- Para garantizar la temperatura de esta zona, no cambie el estante de posición. En frigoríficos por aire forzado (equipados con un ventilador o los modelos Sin Hielo), el símbolo de la zona más fría no se incluye porque la temperatura interior es homogénea.

Configuración del indicador de temperatura

- Para facilitar la correcta configuración del frigorífico, este está equipado con un indicador de temperatura que controlará la temperatura media en la zona más fría.
- ADVERTENCIA: Este indicador está diseñado para funcionar únicamente con el frigorífico, no en otros frigoríficos (de hecho, la zona más fría no será la misma) ni para ningún otro uso.

Comprobación de la temperatura en la zona más fría

- Con el indicador de temperatura, puede comprobar de forma regular si la temperatura de la zona más fría es correcta. De hecho, la temperatura interna del frigorífico depende de varios factores, como la temperatura ambiente de la estancia, la cantidad de comida almacenada y la frecuencia de apertura de la puerta. Estos factores deben tenerse en cuenta al configurar el dispositivo.
- Cuando el indicador muestra «OK», el termostato está bien ajustado y la temperatura interna es correcta.
- Si el indicador de temperatura aparece BLANCO, la temperatura es demasiado alta; en este caso, suba la configuración del control de temperatura del frigorífico y espere 12 horas antes de llevar a cabo una nueva inspección visual del indicador. Cuando se introduce comida fresca o se deja la puerta abierta, es posible que el indicador de temperatura aparezca BLANCO al poco tiempo.

NOTA DE AGRADECIMENTO

Muito obrigado por escolher Midea! Antes de utilizar o seu novo produto Midea, leia este manual atentamente para garantir que sabe utilizar as funcionalidades e funções disponibilizadas pelo seu novo aparelho em segurança.

ÍNDICE

NOTA DE AGRADECIMENTO	01
ESPECIFICAÇÕES.....	02
DESCRIÇÃO GERAL DO PRODUTO	03
INSTALAÇÃO DO PRODUTO	05
INSTRUÇÕES DE OPERAÇÃO.....	13
LIMPEZA E MANUTENÇÃO	18
RESOLUÇÃO DE PROBLEMAS.....	19
APÊNDICE.....	22

ESPECIFICAÇÕES

Modelo do produto	MDRB548MME*
Tensão/Frequência nominal	220-240 V-/50 Hz
Corrente Nominal	1,4 A
Volume Total	401 L
Volume do compartimento de armazenamento de alimentos frescos	271 L
Volume do compartimento de quatro estrelas	130 L
Capacidade de Congelação	8,0 kg/24 h
Tempo de Aumento de Temperatura	8 h
Dimensões gerais (L x P x A)	595x670x1860 mm

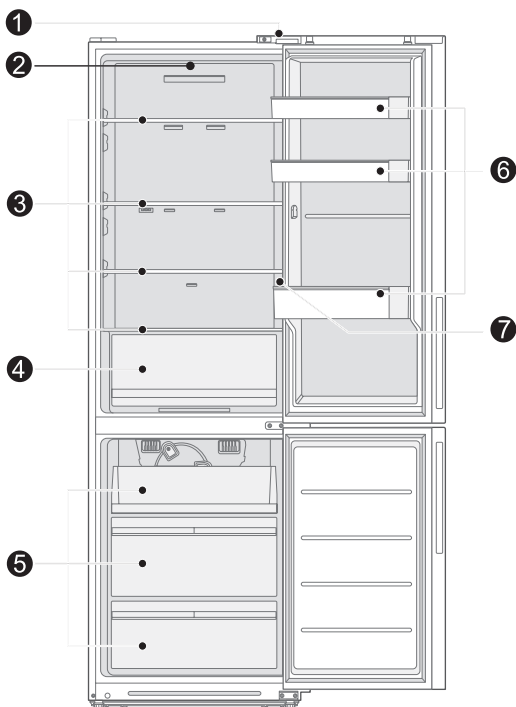
PT

Modelo do produto	MDRB600MME*
Tensão/Frequência nominal	220-240 V-/50 Hz
Corrente Nominal	1,4 A
Volume Total	443 L
Volume do compartimento de armazenamento de alimentos frescos	313 L
Volume do compartimento de quatro estrelas	130 L
Capacidade de Congelação	8,0 kg/24 h
Tempo de Aumento de Temperatura	8 h
Dimensões gerais (L x P x A)	595x670x2010 mm

DESCRIÇÃO GERAL DO PRODUTO

Nome dos componentes

MDRB548MME*

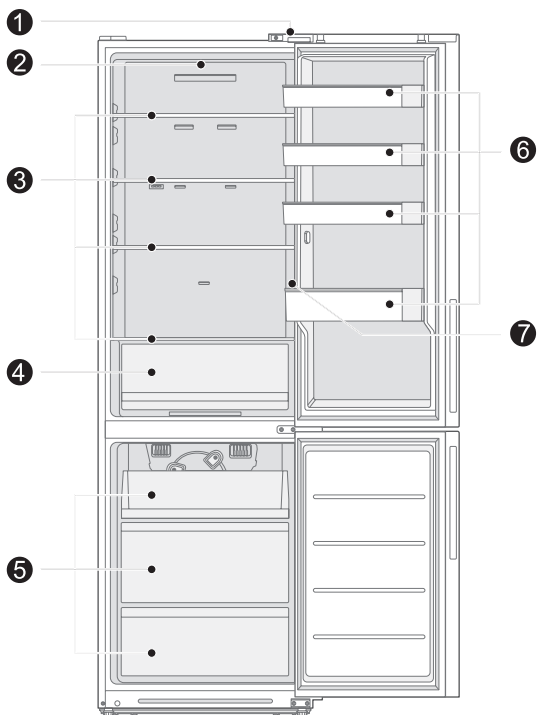


- | | | | |
|---|--------------------------|---|--------------------|
| 1 | Interruptor da porta | 5 | Gaveta |
| 2 | Luz LED | 6 | Bandeja da porta |
| 3 | Prateleira | 7 | Painel de controlo |
| 4 | Caixa de fruta e legumes | | |

ATENÇÃO

A imagem acima é apenas para referência. A configuração real dependerá do produto físico ou da declaração do distribuidor.

MDRB600MME*



PT

- | | | | |
|---|--------------------------|---|--------------------|
| 1 | Interruptor da porta | 5 | Gaveta |
| 2 | Luz LED | 6 | Bandeja da porta |
| 3 | Prateleira | 7 | Painel de controlo |
| 4 | Caixa de fruta e legumes | | |

● ATENÇÃO

A imagem acima é apenas para referência. A configuração real dependerá do produto físico ou da declaração do distribuidor.

INSTALAÇÃO DO PRODUTO

Instruções de instalação

Para aparelhos de refrigeração com classe climática

- Dependendo da classe climática, este aparelho frigorífico destina-se a ser utilizado nos intervalos de temperatura ambiente, tal como especificado na tabela seguinte.
- A classe climática pode ser encontrada na placa de classificação. O produto pode não funcionar corretamente a temperaturas fora do intervalo especificado.
- Pode encontrar a classe climática na etiqueta do produto.

Intervalo efetivo de temperaturas

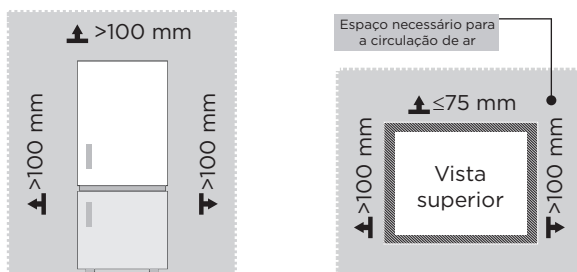
- O produto é concebido para funcionar normalmente no intervalo de temperaturas especificado pela sua classificação de classe.

Classe	Símbolo	Limite de temperatura ambiente °C	
		IEC 62552 (ISO 15502)	ISO 8561
Temperatura alargada	SN	+10 a +32	+10 a +32
Temperado	N	+16 a +32	+16 a +32
Subtropical	ST	+16 a +38	+18 a +38
Tropical	T	+16 a +43	+18 a +43

PT

Dimensões e espaços

- Deixe um espaço livre para a circulação do ar à volta do armário. Ao instalar a unidade, assegure-se de deixar um espaço livre de 10 cm nos dois lados, 10 cm no topo da unidade, e não mais de 7,5 cm atrás da unidade.

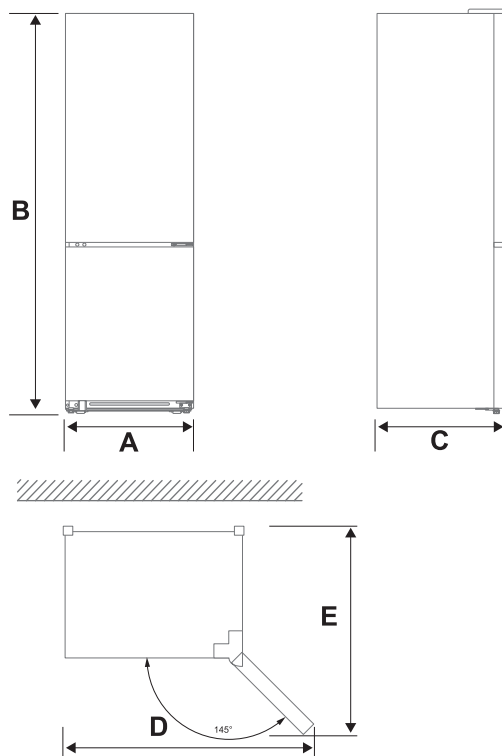


ATTENTION

A imagem acima é apenas para referência. A configuração real dependerá do produto físico ou da declaração do distribuidor.

Diagrama do espaço necessário (com a porta aberta e com a porta fechada)

PT



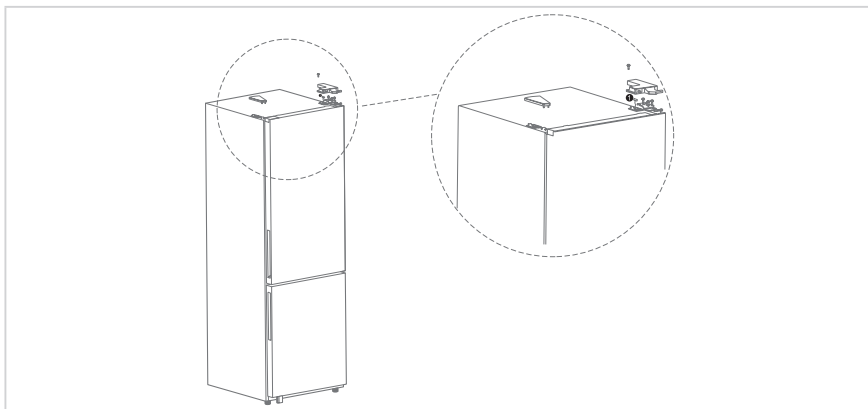
Modelo	Largura	Altura total	Profundidade	Largura com portas abertas 145°	Profundidade com portas abertas 145°
	A	B	C	D	E
MDRB548MME*	595	1860	670	960	1070
MDRB600MME*	595	2010	670	960	1070

Aviso: Todas as dimensões encontram-se em mm

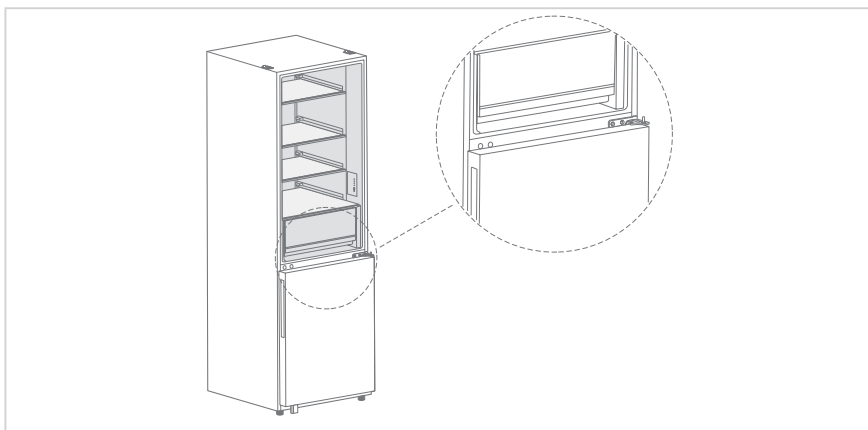
Inversão da porta

Com base no local onde planeia utilizar o seu frigorífico, poderá achar mais conveniente inverter a posição da porta.

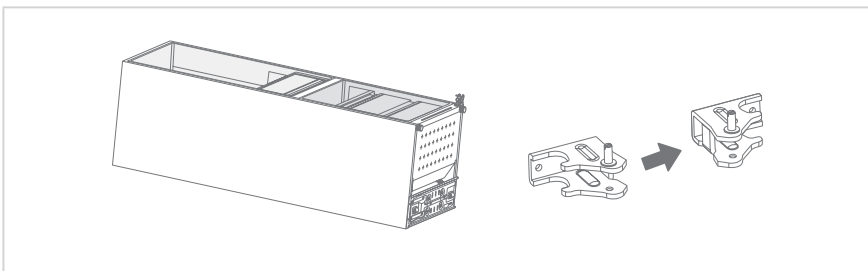
1. Retire os elementos do corpo da porta.
2. Retire a tampa decorativa da dobradiça superior esquerda, a tampa da dobradiça superior direita, a dobradiça superior direita, desligue a linha de sinal no lado superior direito do corpo do frigorífico (linha de sinal ❶).



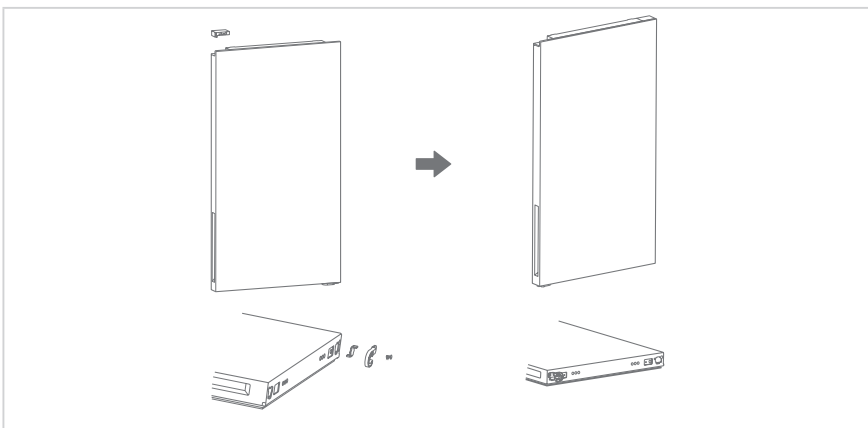
3. Retire o corpo da porta de refrigeração (tenha atenção para não perder peças pequenas como, por exemplo, os batentes da porta); retire a dobradiça do meio para utilização de reserva e retire a tampa decorativa do orifício da dobradiça, a tampa e os parafusos do lado oposto.



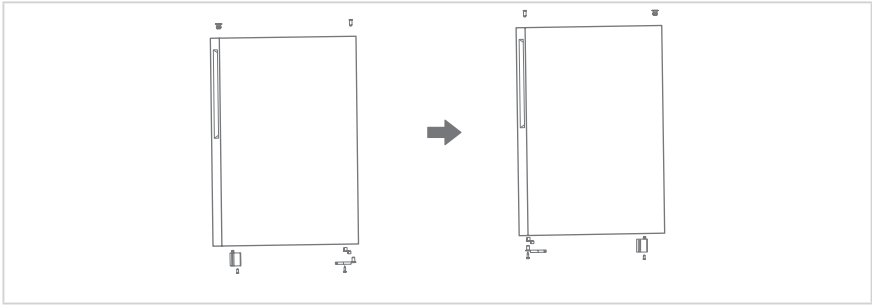
4. Retire o corpo da porta do congelador (tenha cuidado para não perder peças pequenas como, por exemplo, as mangas do eixo e os batentes da porta); retire a dobradiça inferior, retire o eixo da dobradiça inferior e instale-o no outro lado da dobradiça, retire a dobradiça inferior, retire o eixo da dobradiça inferior e instale-o no outro lado da dobradiça para utilização de reserva.



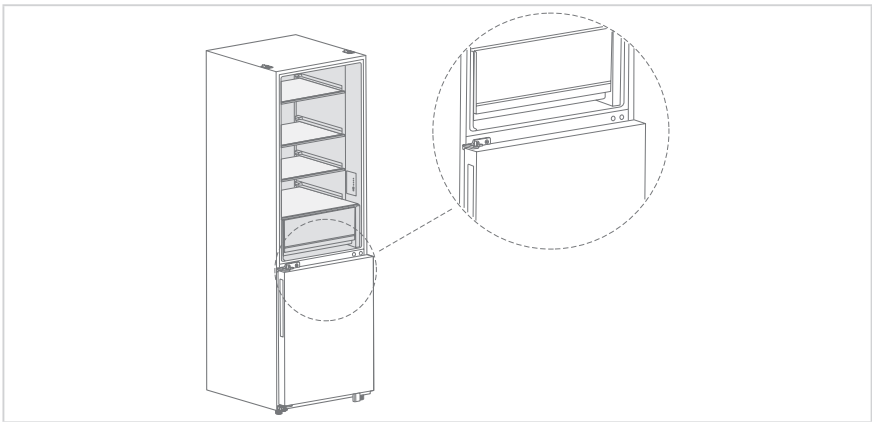
5. Substituição da porta de refrigeração; retire a tampa decorativa esquerda, retire a tampa decorativa direita da embalagem de acessórios e instale-a no outro lado da tampa da extremidade superior; retire o autobloqueio da porta de refrigeração, o batente da porta, retire o autobloqueio da porta esquerda da embalagem de acessórios e instale o batente da porta e o autobloqueio da porta esquerda no lado esquerdo da tampa da extremidade inferior.



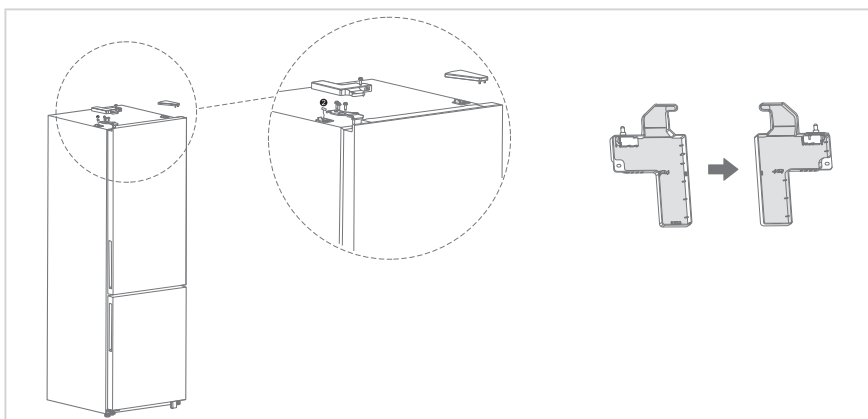
6. Interruptor da porta do congelador; retire a manga da tampa da extremidade superior da porta do congelador e instale a tampa nas posições intermutáveis esquerda e direita; retire o autobloqueio da porta do congelador, o batente da porta e o suporte da porta, retire o autobloqueio da porta esquerda da embalagem de acessórios, instale o batente da porta e o autobloqueio da porta esquerda no lado esquerdo da tampa da extremidade inferior do congelador e instale o suporte da porta no lado direito da tampa da extremidade inferior do congelador.



7. Instale a dobradiça central e instale a porta de refrigeração na dobradiça central, em seguida, instale a dobradiça inferior e tape a tampa decorativa do orifício da dobradiça.



8. Retire a tampa da dobradiça superior esquerda da embalagem de acessórios, a dobradiça superior esquerda, retire o interruptor instalado na tampa da dobradiça direita e instale-o na tampa da dobradiça superior esquerda; coloque o corpo da porta de refrigeração na dobradiça central e instale a dobradiça superior esquerda; ligue a linha de sinal superior ② no lado esquerdo do frigorífico e o interruptor na tampa da dobradiça esquerda, tape e fixe a tampa da dobradiça esquerda e, finalmente, instale a tampa decorativa da dobradiça no lado direito do corpo do frigorífico.



● ATTENTION

Devido a alterações técnicas e a diferentes modelos, algumas das imagens deste manual podem diferir do seu modelo.

- Certifique-se de que o seu frigorífico está desligado da tomada e vazio.
- Tenha alguém disponível para o ajudar no processo.
- Guarde todas as peças que remover para as reutilizar mais tarde.

PT

Pés de nivelamento

Para evitar vibração, a unidade deve estar nivelada.

Se necessário, ajuste os parafusos de nivelamento para compensar o chão desnivelado.

A frente deve estar ligeiramente mais alta que a traseira para ajudar no fechamento da porta.

Os parafusos de nivelamento podem ser facilmente rodados, inclinando ligeiramente o armário.

Rode os parafusos de nivelamento no sentido contrário ao dos ponteiros do relógio ↺ para elevar a unidade e no sentido dos ponteiros do relógio ↻ para os baixar.

Mover o aparelho

1. Retire todos os alimentos do interior do aparelho.
2. Puxe a ficha de alimentação, introduza-a e fixe-a no gancho da ficha de alimentação na parte de trás ou em cima do aparelho.
3. Cole as peças, tais como prateleiras e o puxador da porta, com fita adesiva para evitar que caiam enquanto se desloca o aparelho.
4. Desloque o aparelho com mais de duas pessoas com cuidado. Ao transportar o aparelho numa longa distância, mantenha o aparelho na vertical.
5. Após a instalação do aparelho, ligue a ficha de alimentação a uma tomada para ligar o aparelho.

● ATTENTION

Precauções antes da operação:

Antes de fazer alterações, o frigorífico deve ser desligado da corrente.

Devem ser tomadas precauções para evitar qualquer lesão pessoal.

Substituir a luz

- A substituição ou a manutenção das lâmpadas LED destinam-se a ser realizadas pelo fabricante, o seu agente de assistência técnica ou um profissional igualmente qualificado.

● ATTENTION

Este produto contém uma fonte de luz:de classe de eficiência energética (G).

Ligar o aparelho

Após instalar o aparelho, ligue a ficha de alimentação a uma tomada de corrente.

● ATTENTION

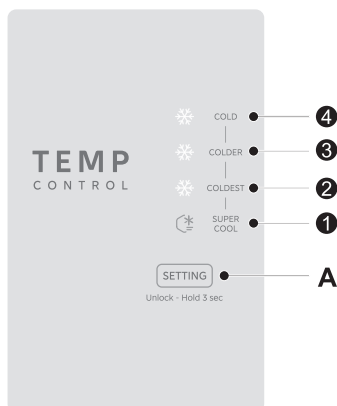
Depois de ligar o cabo de alimentação (ou ficha) à tomada, aguarde 2 ou 3 horas antes de colocar os alimentos no aparelho. Se colocar alimentos antes de o aparelho arrefecer completamente, os seus alimentos podem estragar-se.

Sugestões para economia de energia

- Não coloque o aparelho perto de fogões, radiadores ou outras fontes de calor. Se a temperatura ambiente for elevada, o compressor funcionará mais frequentemente e durante mais tempo, resultando num aumento do consumo de energia.
- Certifique-se de que haja ventilação suficiente na base do aparelho, dos lados do aparelho e na parte de trás do aparelho. Nunca tape as aberturas de ventilação.
- Tenha também em atenção as dimensões do espaçamento no capítulo "Instalação".
- A disposição das gavetas, prateleiras e suportes, tal como mostrado na figura, oferece a utilização mais eficiente da energia e deve, portanto, ser mantida na medida do possível. Todas as gavetas e prateleiras devem permanecer no aparelho para manter a temperatura estável e poupar energia.
- Para obter um espaço de armazenamento maior (por exemplo, para grandes produtos refrigerados/congelados), as gavetas do meio podem ser retiradas. As gavetas e prateleiras superior e inferior devem ser removidas por último, se necessário.
- Um compartimento frigorífico/congelador uniformemente cheio contribui para uma utilização ótima da energia. Portanto, deve evitar compartimentos vazios ou semivazios.
- Deixar arrefecer os alimentos quentes antes de os colocar no frigorífico/congelador. Os alimentos que já arrefeceram aumentam a eficiência energética.
- Permita que os alimentos congelados descongelem no frigorífico. A frieza dos alimentos congelados reduz o consumo de energia no compartimento frigorífico e aumenta assim a eficiência energética.
- Abrir a porta apenas tão brevemente quanto necessário para minimizar a perda de frio. Abrir a porta brevemente e fechá-la adequadamente reduz o consumo de energia.
- As vedações das portas do seu aparelho devem estar perfeitamente intactas para que as portas fechem corretamente e o consumo de energia não seja aumentado desnecessariamente.

INSTRUÇÕES DE OPERAÇÃO

Painel de controlo



PT

Botão

A Botão de definição de temperatura

Visor

1	LED1 (SUPER REFRIGERAÇÃO)
2	LED2 (2 °C/FRIO MÁXIMO)
3	LED3 (4 °C/MAIS FRIO)
4	LED4 (8 °C/FRIO)

Visor

- Quando é ligado pela primeira vez, o ecrã fica totalmente iluminado durante 3 segundos e, em seguida, permite visualização normal; (definido a 4 °C pela primeira vez).
- Quando ocorre um problema, apresenta o código do problema (num modo de visualização de ciclo). Num estado normal, é apresentada a definição de ajuste do frigorífico em alternativa ao código de bloqueio.
- Em circunstâncias normais, após 15 segundos sem premir qualquer tecla, a definição entra em vigor.

Bloquear e desbloquear

- Mantenha premido durante 3 segundos para desbloquear, o LED pisca para indicar que o desbloqueio foi bem sucedido e o cadeado é automaticamente bloqueado após 15 segundos sem premir o botão.

● ATENÇÃO

O painel de controlo real poderá ser diferente consoante o modelo.

Instruções de funcionamento

Definição do nível

- Prima o botão SETTING uma vez para alterar a definição da temperatura.
- Ajustar por mudança para: LED4 - > LED3 - > LED2 - > LED1 - > LED4

Modo de refrigeração rápida

Modo de entrada:

- Prima a tecla de controlo da temperatura para acender o LED1.

Modo de operação:

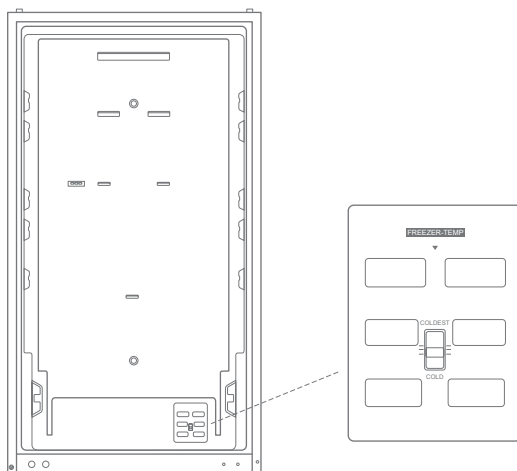
- O compressor funciona à velocidade máxima da temperatura ambiente atual.
- O ventilador funciona à velocidade atual -1 (a prioridade é inferior à sobrecarga).
- Execute de acordo com o ponto de arranque/paragem da velocidade de arrefecimento rápido de 2 graus e não descongele durante o período de arrefecimento rápido (exceto para a descongelação automática).
- Descongelar uma vez após a saída do arrefecimento rápido.

Modo de saída:

- Regule a temperatura para sair do modo de arrefecimento rápido.
- Saia após 16 horas de funcionamento no modo de arrefecimento rápido.

Ajuste da palheta da conduta de ar

Se rodar a corrediça da comporta de ar para cima, a temperatura real no interior da câmara frigorífica diminui; se rodar a corrediça da comporta de ar para baixo, a temperatura real no interior da câmara frigorífica aumenta.



Código de erro

- Os seguintes avisos que aparecem no visor indicam avarias correspondentes do frigorífico. Embora o frigorífico ainda possa ter funções de refrigeração e congelação com as seguintes falhas, o utilizador deve contactar um técnico especialista em manutenção, de modo a assegurar a utilização normal do frigorífico.

Código da Anomalia	Descrição da Anomalia
O LED 1 e o LED 2 estão a piscar	Falha do sensor de temperatura do frigorífico
O LED 1 e o LED 3 estão a piscar	Falha do sensor de descongelação do congelador
O LED 1 e o LED 4 estão a piscar	Avaria no sensor de temperatura ambiente

Sugestões sobre o armazenamento de alimentos

Compartimento congelador


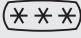
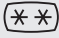

- O congelador está concebido para o armazenamento de alimentos congelados a temperaturas muito baixas, armazenamento a longo prazo de alimentos congelados, bem como para a produção de gelo.
- Utilize apenas as prateleiras da porta do congelador para armazenar alimentos congelados, e não para armazenar alimentos quentes destinados a congelação.
- Não coloque alimentos frescos e congelados uns ao lado dos outros. Os alimentos congelados podem descongelar.
- Ao congelar alimentos frescos (tais como carne, peixe ou carne picada), deve cortá-los em porções que possam ser utilizadas ao mesmo tempo.
- Armazenamento de alimentos congelados: as instruções são normalmente indicadas nas embalagens, as quais devem ser seguidas. Se não houver informação na embalagem, os alimentos não devem ser armazenados durante mais de três meses a partir da data de compra.
- Ao comprar alimentos congelados, certifique-se de que tenham sido congelados a uma temperatura adequada e de que a embalagem não se encontra danificada.
- Os alimentos congelados devem ser mantidos em embalagens adequadas para manter a qualidade e devem ser devolvidos ao compartimento de congelação o mais rapidamente possível.
- Caso alguma embalagem de alimentos congelados apresente humidade ou abaulamento anormal, é provável que tenha sido armazenada à temperatura incorreta e que o conteúdo esteja estragado.
- O período de armazenamento dos alimentos congelados depende da temperatura ambiente, da regulação do termóstato, da frequência de abertura da porta do congelador, do tipo de alimentos e do tempo de transporte do produto da loja para o lar. Siga sempre as instruções impressas na embalagem e nunca exceda o tempo máximo de armazenamento indicado na embalagem.

Compartimento de refrigeração

- Para reduzir a humidade e subsequente acumulação de gelo, nunca coloque líquidos no frigorífico em recipientes não vedados. O gelo tende a concentrar-se nas partes mais frias do evaporador. O armazenamento de líquidos não cobertos resulta numa necessidade mais frequente de descongelação.
- Nunca coloque alimentos quentes no frigorífico. Estes devem primeiro arrefecer à temperatura ambiente e depois ser colocados de modo a assegurar uma circulação de ar adequada no frigorífico.
- Os alimentos ou recipientes de alimentos não devem tocar na parede posterior do frigorífico porque podem congelar na parede. Não abra constantemente a porta do frigorífico.
- Carne e peixe limpos (embalados numa embalagem ou película de plástico) podem ser colocados no frigorífico, podendo ser utilizados dentro de 1-2 dias.
- As frutas e legumes sem embalagem podem ser colocados na parte designada para frutas e legumes frescos.

ATTENTION

O ajuste ótimo da temperatura de cada compartimento depende da temperatura ambiente. A temperatura ótima supramencionada baseia-se na temperatura ambiente de 25 °C.

Ordem	TIPO dos compartimentos	Temperatura de armazenamento [°C]	Alimentos apropriados
1	Frigorífico	$+2 \leq x \leq +8$	Ovos, alimentos cozinhados, alimentos embalados, fruta, vegetais, laticínios, bolos, bebidas e outros alimentos não devem ser congelados.
2	 Classificação de quatro estrelas de congelados	$x \leq -18$	Com capacidade de congelação, velocidade de congelação rápida, pode congelar e armazenar alimentos rapidamente. Adequado para alimentos frescos congelados, tais como marisco (peixe, camarão, marisco), produtos aquáticos de água doce e produtos à base de carne. Recomendado para 3 - 6 meses, quanto maior for o tempo de armazenamento, pior será o sabor e a nutrição.
3	 Classificação de três estrelas de congelados	$x \leq -18$	Com capacidade de congelamento. Adequado para alimentos frescos congelados, tais como marisco (peixe, camarão, marisco), produtos aquáticos de água doce e produtos à base de carne. Recomenda-se que não exceda 3 meses.
4	 Classificação de duas estrelas de congelados	$x \leq -12$	Apenas adequado para a conservação a médio prazo de alimentos já congelados, por exemplo, gelados. Recomenda-se que não exceda 1 mês.
5	 Classificação de uma estrela de congelados	$x \leq -6$	Apenas adequado para refrigeração e armazenamento a curto prazo de pequenas quantidades de alimentos já congelados. Recomenda-se que não exceda 1 semana.
6	0 estrelas	$-6 \leq x \leq 0$	Carne fresca de porco, vaca, peixe, frango, alguns alimentos processados embalados, etc. (recomenda-se comer no mesmo dia, de preferência não mais do que 3 dias). Alimentos processados parcialmente embalados (alimentos que não podem ser congelados).
7	Refrigeração	$-2 \leq x \leq +3$	Carne de porco, vaca, galinha, peixe de água doce congelados/frescos, etc. (7 dias abaixo de 0 °C e acima de 0 °C recomendados para consumo no mesmo dia ou dentro de não mais de 2 dias). Marisco inferior a 0 durante 15 dias, não é recomendável conservar acima de 0 °C.
8	Alimentos frescos	$0 \leq x \leq +4$	Carne fresca de porco, vaca, peixe, frango, alimentos cozinhados, etc. (recomenda-se comer no mesmo dia, de preferência não mais do que 3 dias)
9	Vinho	$+5 \leq x \leq +20$	Vinho tinto, vinho branco, vinho espumante, etc.

ATTENTION

guarde os diferentes alimentos de acordo com os compartimentos ou temperatura de armazenamento dos produtos adquiridos.

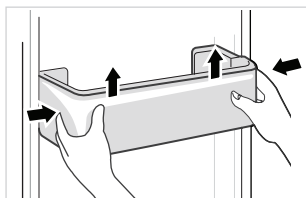
LIMPEZA E MANUTENÇÃO

Descongelar

- O frigorífico é feito com base no princípio de arrefecimento por ar e, portanto, tem a função de descongelação automática. O gelo formado devido a mudança de estação ou temperatura também pode ser removido manualmente, desligando o aparelho da corrente ou esfregando com uma toalha seca.

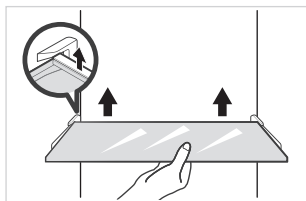
Limpar o tabuleiro da porta

- De acordo com a seta de direção na figura abaixo, usar as duas mãos para apertar o tabuleiro e empurrá-lo para cima para a retirar.
- Após a bandeja ter sido retirada para lavagem, pode ajustar a sua altura de instalação de acordo com as suas necessidades.



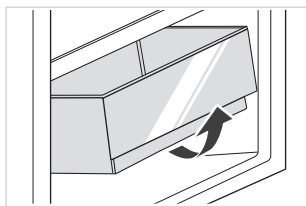
Limpar a prateleiras em vidro

- Como a parte mais interna do forro do frigorífico, onde entra em contacto com as prateleiras, tem um batente, deve levantar as prateleiras para as poder retirar.
- Ajustar ou limpar as prateleiras de acordo com sua exigência.



Limpar a gaveta dos frescos

1. Remova o conteúdo da gaveta. Segurar a pega da gaveta dos frescos e puxá-la completamente para fora até parar.
2. Levantar a gaveta dos frescos e retirá-la puxando-a para fora.



● ATTENTION

Recomenda-se para a limpeza toalhas macias ou uma esponja embebida em água e detergentes neutros não corrosivos. O congelador deve ser finalmente limpo com água limpa e um pano seco. Abra a porta para secagem natural antes de se ligar a corrente. Não utilize escovas duras, palha de aço, escovas de arame, produtos abrasivos (tais como pasta de dentes), solventes orgânicos (tais como álcool, acetona, óleo de banana, etc.), água a ferver ou produtos ácidos ou alcalinos para limpar o frigorífico, uma vez que pode danificar a superfície e o interior do mesmo.

RESOLUÇÃO DE PROBLEMAS

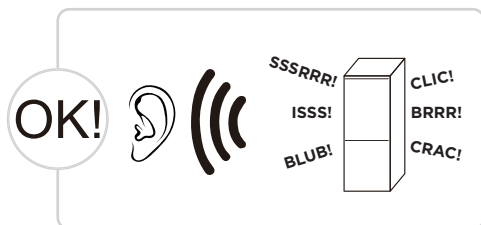
Podem ser solucionados pelo utilizador os seguintes problemas simples. Por favor, contacte o departamento de serviço pós-venda se os problemas não forem resolvidos.

Problema	Motivo possível
Falha de funcionamento	• Verifique se o aparelho está ligado à corrente ou se a ficha está bem ligada
	• Verifique se a tensão é demasiado baixa
	• Verifique se há uma falha de energia ou se alguns circuitos dispararam
Odores	• Os alimentos com odor devem ser bem embrulhados
	• Verifique se há comida estragada
	• Limpe o interior do frigorífico
Funcionamento prolongado do compressor	• O funcionamento prolongado do compressor é normal no verão quando a temperatura ambiente é alta
	• Não é aconselhável colocar muitos alimentos no aparelho ao mesmo tempo
	• Os alimentos devem arrefecer antes de serem colocados no aparelho
	• As portas são abertas com demasiada frequência
A luz não acende	• Verifique se o frigorífico está ligado à rede elétrica e se a luz de iluminação está danificada
	• A lâmpada deve ser substituída por um especialista
Não é possível fechar corretamente a porta	• A porta está obstruída por embalagens de alimentos
	• O frigorífico está inclinado.
Ruídos altos	• Verifique se o piso está nivelado e se o frigorífico está colocado de forma estável
	• Verifique se os acessórios estão colocados nos locais apropriados

PT

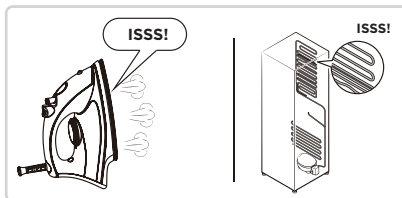
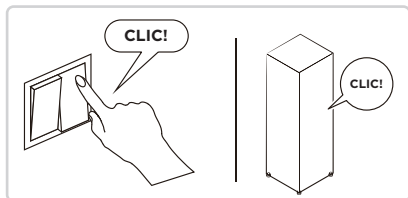
Problema	Motivo possível
A junta de vedação da porta não está a vedar	<ul style="list-style-type: none"> • Remova matérias estranhas do vedante da porta • Aqueça a vedação da porta e depois arrefeça-a para restauração (utilize um secador elétrico ou utilize uma toalha quente para aquecimento)
O depósito de água transborda	<ul style="list-style-type: none"> • Há demasiados alimentos na câmara ou os alimentos armazenados contêm muita água, resultando num descongelamento profuso • As portas não estão bem fechadas, resultando em gelo, devido à entrada de ar e ao aumento de água derivado da descongelação
Caixa do aparelho	<ul style="list-style-type: none"> • A dissipação de calor do condensador incorporado através da caixa, que é normal quando a caixa se torna quente devido à alta temperatura ambiente, ao armazenamento de demasiados alimentos ou ao encerramento do compressor, proporcionam uma ventilação adequada para facilitar a dissipação de calor
Condensação na superfície	<ul style="list-style-type: none"> • A condensação na superfície exterior e nos vedantes das portas do frigorífico é normal quando a humidade ambiente é demasiado elevada. Simplesmente limpe a condensação com uma toalha limpa.
Ruído anormal	<ul style="list-style-type: none"> • Zumbido: O compressor pode produzir ruídos durante o funcionamento e os ruídos são altos, principalmente no arranque ou paragem. Isto é normal. • Crepitação: O refrigerante a circular dentro do aparelho pode crepitar, o que é normal.

Ouve os ruídos abaixo? Regra geral, estes ruídos são normais.



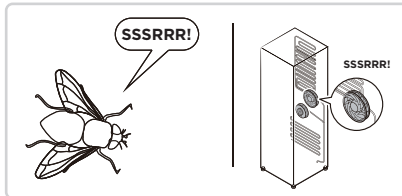
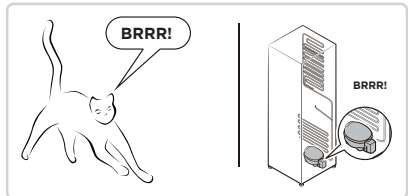
CLIC: Algumas partes elétricas no frigorífico, como a válvula elétrica, fazem este ruído durante o funcionamento. Isto é normal.

ISSS: Quando o refrigerante circula no evaporador, faz este ruído. Isto é normal.



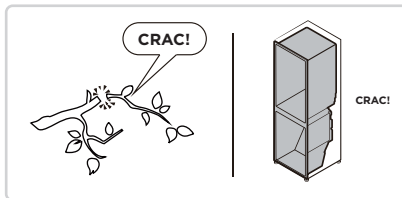
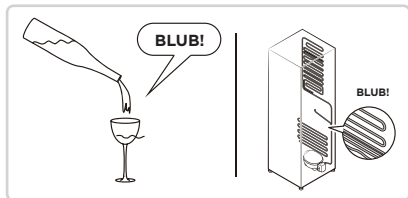
BRRR: O compressor faz este ruído durante o funcionamento e o zumbido é particularmente alto durante o arranque ou a paragem. Isto é normal.

SSSRRR: O motor da ventoinha do frigorífico No frost faz este ruído durante o funcionamento. Isto é normal.



BLUB: A circulação do refrigerante através da tubagem faz este ruído. Isto é normal.

CRAC: Ruído de gelo a partir ou estalidos: na estrutura geral do frigorífico, e o gelo na conduta de ar estão relacionados com os ruídos da expansão e contração térmica, e também são fenómenos físicos normais.



APÊNDICE

Especial relativamente à nova norma europeia

As peças encomendadas na tabela seguinte podem ser adquiridas no canal do fornecedor de serviços

Peça encomendada	Fornecida por	Tempo mínimo necessário para o fornecimento
Termóstatos	Pessoal de manutenção profissional	Pelo menos 7 anos após o último modelo ser lançado no mercado
Sensores de temperatura	Pessoal de manutenção profissional	Pelo menos 7 anos após o último modelo ser lançado no mercado
Placas de circuito impresso	Pessoal de manutenção profissional	Pelo menos 7 anos após o último modelo ser lançado no mercado
Fonte de luz	Pessoal de manutenção profissional	Pelo menos 7 anos após o último modelo ser lançado no mercado
Pegas da porta	Reparadores profissionais e utilizadores finais	Pelo menos 7 anos após o último modelo ser lançado no mercado
Dobradiças da porta	Reparadores profissionais e utilizadores finais	Pelo menos 7 anos após o último modelo ser lançado no mercado
Tabuleiros	Reparadores profissionais e utilizadores finais	Pelo menos 7 anos após o último modelo ser lançado no mercado
Cestos	Reparadores profissionais e utilizadores finais	Pelo menos 7 anos após o último modelo ser lançado no mercado
Juntas da porta	Reparadores profissionais e utilizadores finais	Pelo menos 10 anos após o último modelo ser lançado no mercado

Caro(a) cliente

1. Se pretender devolver ou substituir o produto, deve contactar o estabelecimento comercial onde o mesmo foi comprado.
(Lembre-se de trazer a fatura de compra)
2. Se o seu produto não avariar e necessitar de reparação, deve contactar o serviço pós-venda.

ATENÇÃO

As informações do modelo na base de dados do produto, bem como o identificador do modelo, podem ser obtidos através de uma ligação digitalizada através de um código QR, se existir, no rótulo de eficiência energética do produto.

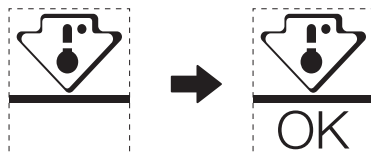
Para mais informações sobre a eficiência energética do aparelho, visite <https://ec.europa.eu> e pesquise usando o nome do modelo.

O nome do modelo pode ser encontrado na etiqueta de classificação do aparelho.

Zona mais fria no frigorífico

OPCIONAL: Indicador de temperatura OK

- O indicador de temperatura OK pode ser utilizado para determinar temperaturas inferiores a +4 °C. Reduza gradualmente a temperatura se o sinal não indicar "OK".



- Para garantir a temperatura nesta área, não altere o posicionamento da prateleira. Nos frigoríficos de ar forçado (nos modelos equipados com uma ventoinha ou nos modelos "No Frost"), o símbolo da zona mais fria não é apresentado porque a temperatura no interior é homogênea.

Definição do indicador de temperatura

- Para ajudar a configurar corretamente o seu frigorífico, este está equipado com um indicador de temperatura que monitoriza a temperatura média na zona mais fria.
- AVISO: Este indicador destina-se a ser utilizado exclusivamente com o seu frigorífico, não o utilize noutro frigorífico (na verdade, a zona mais fria não é a mesma) ou para qualquer outro fim.

Verificar a temperatura na zona mais fria

- Com o indicador de temperatura, pode verificar regularmente se a temperatura da zona mais fria está correta. Na realidade, a temperatura interna do frigorífico depende de vários fatores, tais como a temperatura ambiente da divisão, a quantidade de alimentos armazenados e a frequência de abertura da porta. Tenha estes fatores em consideração quando definir o aparelho.
- Quando o indicador mostrar «OK», significa que o termóstato está bem regulado e a temperatura interna está correta.
- Se o indicador de temperatura ficar BRANCO, significa que a temperatura está demasiado alta; neste caso, aumente a definição do controlo de temperatura do frigorífico e aguarde 12 horas antes de voltar a inspecionar visualmente o indicador. Quando tiverem sido colocados alimentos frescos ou a porta tiver sido deixada aberta, é possível que o indicador de temperatura fique BRANCO após algum tempo.

ΕΥΧΑΡΙΣΤΙΕΣ

Σας ευχαριστούμε που επιλέξατε την Midea! Προτού χρησιμοποιήσετε το νέο σας προϊόν της Midea, διαβάστε προσεκτικά αυτό το εγχειρίδιο για να βεβαιωθείτε ότι γνωρίζετε πώς να χειρίζεστε τις δυνατότητες και τις λειτουργίες που προσφέρει η νέα σας συσκευή με ασφάλεια.

ΠΕΡΙΕΧΟΜΕΝΑ

ΕΥΧΑΡΙΣΤΙΕΣ	01
ΠΡΟΔΙΑΓΡΑΦΕΣ	02
ΕΠΙΣΚΟΠΗΣΗ ΠΡΟΪΟΝΤΟΣ	03
ΕΓΚΑΤΑΣΤΑΣΗ ΠΡΟΪΟΝΤΟΣ	05
ΟΔΗΓΙΕΣ ΛΕΙΤΟΥΡΓΙΑΣ	13
ΚΑΘΑΡΙΣΜΟΣ ΚΑΙ ΣΥΝΤΗΡΗΣΗ	18
ΑΝΤΙΜΕΤΩΠΙΣΗ ΠΡΟΒΛΗΜΑΤΩΝ	19
ΠΑΡΑΡΤΗΜΑ	22

GR

ΠΡΟΔΙΑΓΡΑΦΕΣ

Μοντέλο προϊόντος	MDRB548MME*
Ονομαστική τάση/Συχνότητα	220-240 V-/50 Hz
Ονομαστικό ρεύμα	1,4A
Συνολικός όγκος	401L
Όγκος νωπών τροφίμων	271L
Όγκος θαλάμου τεσσάρων αστέρων	130L
Ικανότητα κατάψυξης	8,0 κιλά/24 ώρες
Χρόνος ανόδου θερμοκρασίας	8 ώρες
Συνολικές διαστάσεις (Π x Β x Υ)	595x670x1860 mm

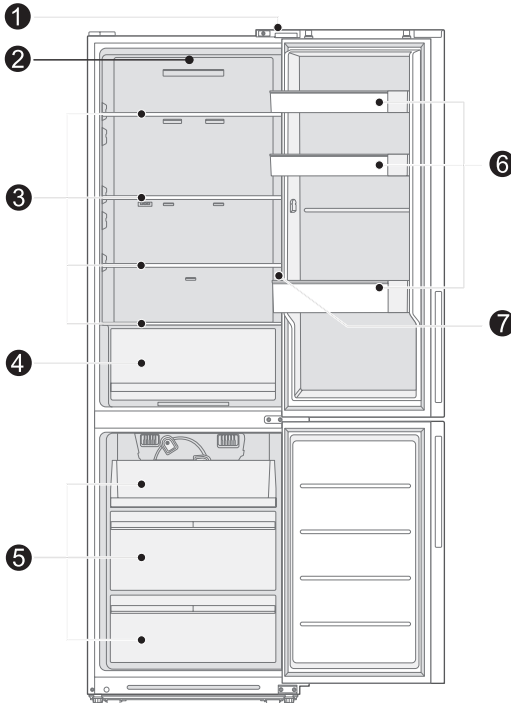
Μοντέλο προϊόντος	MDRB600MME*
Ονομαστική τάση/Συχνότητα	220-240 V-/50 Hz
Ονομαστικό ρεύμα	1,4A
Συνολικός όγκος	443L
Όγκος νωπών τροφίμων	313L
Όγκος θαλάμου τεσσάρων αστέρων	130L
Ικανότητα κατάψυξης	8,0 κιλά/24 ώρες
Χρόνος ανόδου θερμοκρασίας	8 ώρες
Συνολικές διαστάσεις (Π x Β x Υ)	595x670x2010 mm

GR

ΕΠΙΣΚΟΠΗΣΗ ΠΡΟΪΟΝΤΟΣ

Όνομασία των εξαρτημάτων

MDRB548MME*



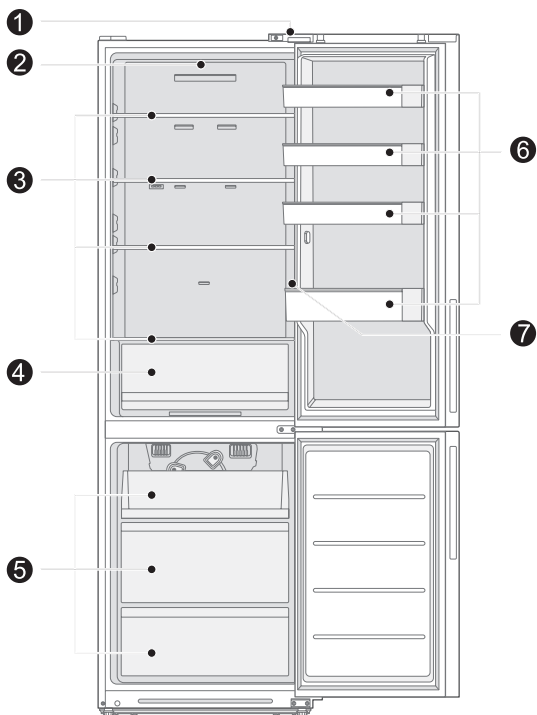
- | | | | |
|---|-------------------------------|---|-----------------|
| 1 | Διακόπτης πόρτας | 5 | Συρτάρι |
| 2 | Λυχνία LED | 6 | Ράφι πόρτας |
| 3 | Ράφι | 7 | Πίνακας ελέγχου |
| 4 | Πλαίσιο φρούτων και λαχανικών | | |

ΠΡΟΣΟΧΗ

Η παραπάνω εικόνα προορίζεται μόνο για σκοπούς αναφοράς. Η διαμόρφωση εξαρτάται από το εκάστοτε προϊόν ή τη δήλωση του διανομέα.

GR

MDRB600MME*



1 Διακόπτης πόρτας

2 Λυχνία LED

3 Ράφι

4 Πλαίσιο φρούτων και λαχανικών

5 Συρτάρι

6 Ράφι πόρτας

7 Πίνακας ελέγχου

ΠΡΟΣΟΧΗ

Η παραπάνω εικόνα προορίζεται μόνο για σκοπούς αναφοράς. Η διαμόρφωση εξαρτάται από το εκάστοτε προϊόν ή τη δήλωση του διανομέα.

ΕΓΚΑΤΑΣΤΑΣΗ ΠΡΟΪΟΝΤΟΣ

Οδηγίες εγκατάστασης

Για συσκευές ψύξης με κλιματική κλάση

- Ανάλογα με την κλιματική κλάση, αυτή η ψυκτική συσκευή προορίζεται για χρήση σε εύρος θερμοκρασίας περιβάλλοντος όπως αυτό που καθορίζεται στον ακόλουθο πίνακα.
- Η κλιματική κλάση βρίσκεται στην πινακίδα χαρακτηριστικών. Το προϊόν ενδέχεται να μην λειτουργεί σωστά σε θερμοκρασίες εκτός του καθορισμένου εύρους.
- Μπορείτε να βρείτε την κλιματική κλάση στην ετικέτα του προϊόντος.

Εύρος θερμοκρασίας λειτουργίας

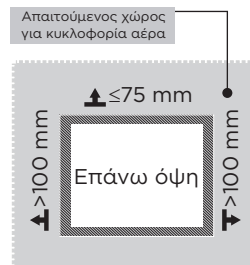
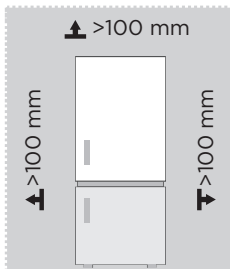
- Το προϊόν έχει σχεδιαστεί να λειτουργεί κανονικά εντός του εύρους θερμοκρασίας που καθορίζεται από τον βαθμό κλάσης του.

Κατηγορία	Σύμβολο	Εύρος θερμοκρασίας περιβάλλοντος °C	
		IEC 62552 (ISO 15502)	ISO 8561
Εκτεταμένο εύκρατο	SN	+ 10 έως + 32	+ 10 έως + 32
Εύκρατο	N	+ 16 έως + 32	+ 16 έως + 32
Υποτροπικό	ST	+ 16 έως + 38	+ 18 έως + 38
Τροπικό	T	+ 16 έως + 43	+ 18 έως + 43

GR

Διαστάσεις και αποστάσεις

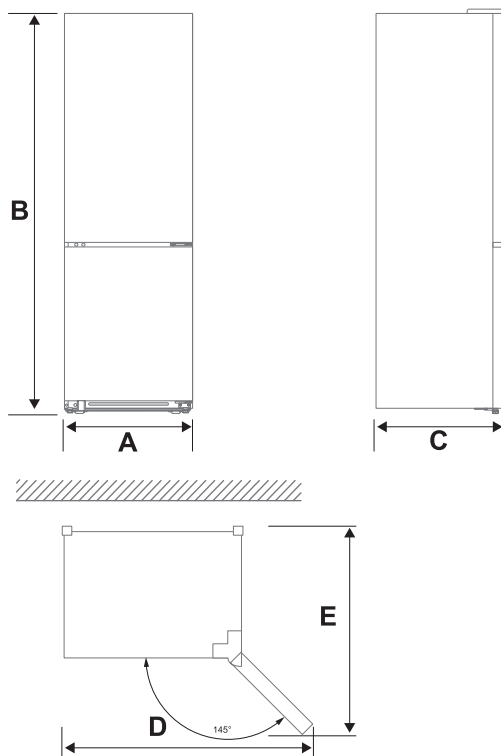
- Διατηρήστε ελεύθερη την κυκλοφορία του αέρα γύρω από το ντουλάπι. Κατά την εγκατάσταση της συσκευής, βεβαιωθείτε ότι υπάρχουν 10 cm ελεύθερου χώρου και στις δύο πλευρές, 10 cm στο επάνω μέρος και 7,5 cm στο πίσω μέρος της συσκευής.



● ATTENTION

Η παραπάνω εικόνα προορίζεται μόνο για σκοπούς αναφοράς. Η διαμόρφωση εξαρτάται από το εκάστοτε προϊόν ή τη δήλωση του διανομέα.

Διάγραμμα απαιτούμενου χώρου (όταν η πόρτα είναι ανοιχτή και όταν η πόρτα είναι κλειστή)



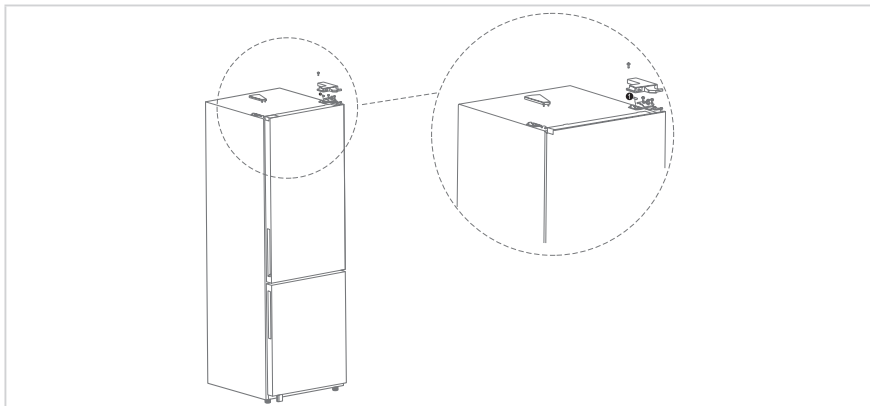
Μοντέλο	Πλάτος	Συνολικό ύψος	Βάθος	Πλάτος ανοιχτής πόρτας 145°	Βάθος ανοιχτής πόρτας 145°
	A	B	C	D	E
MDRB548MME*	595	1860	670	960	1070
MDRB600MME*	595	2010	670	960	1070

Σημείωση: Όλες οι διαστάσεις είναι σε mm

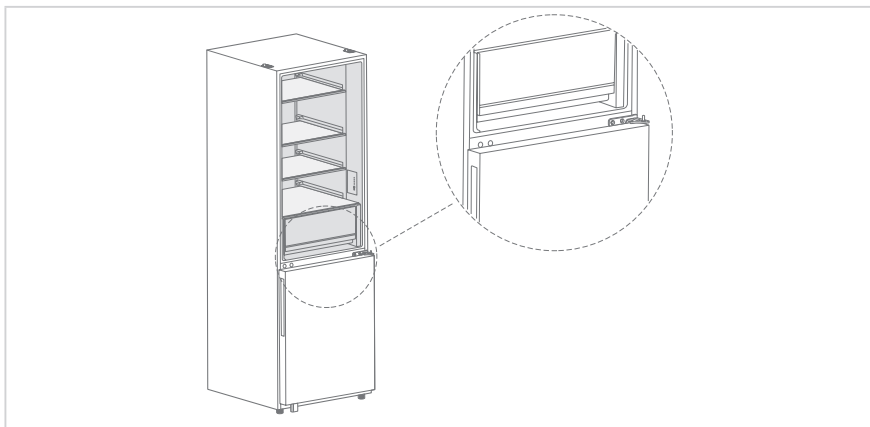
Αντιστροφή ανοίγματος πόρτας

Με βάση τη θέση στην οποία σκοπεύετε να χρησιμοποιήσετε το ψυγείο σας, ενδέχεται να σας βολέψει περισσότερο η αντιστροφή της θέσης της πόρτας.

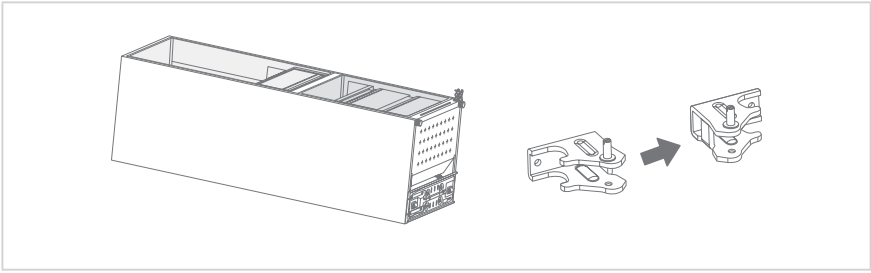
1. Αφαιρέστε τα αντικείμενα από το σώμα της πόρτας.
2. Αφαιρέστε το διακοσμητικό κάλυμμα του καλύμματος του επάνω αριστερού μεντεσέ, το κάλυμμα του επάνω δεξιού μεντεσέ, τον επάνω δεξιό μεντεσέ, αποσυνδέστε τη γραμμή σήματος στην επάνω δεξιά πλευρά του σώματος του ψυγείου (γραμμή σήματος ❶).



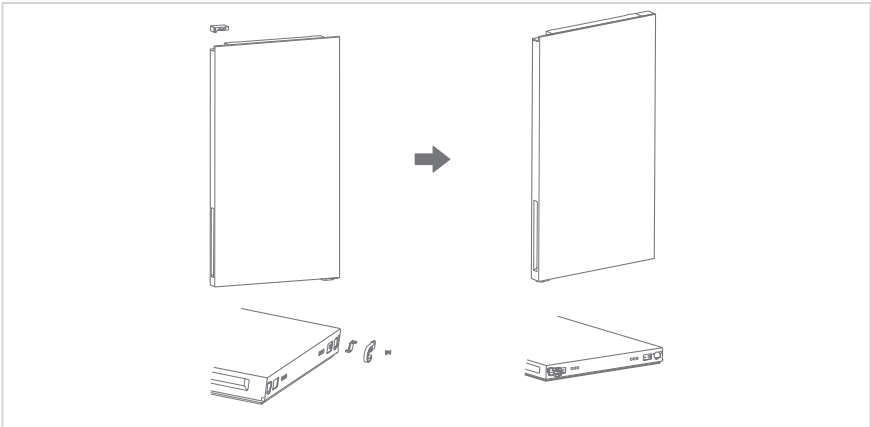
3. Αφαιρέστε το σώμα της πόρτας ψύξης (προσέξτε να μην χάσετε τυχόν μικρά μέρη όπως τα στοπ της πόρτας). Αφαιρέστε τον μεσαίο μεντεσέ για εφεδρική χρήση και αφαιρέστε το διακοσμητικό κάλυμμα της οπής του μεντεσέ, το καπάκι και τις βίδες στην άλλη πλευρά.



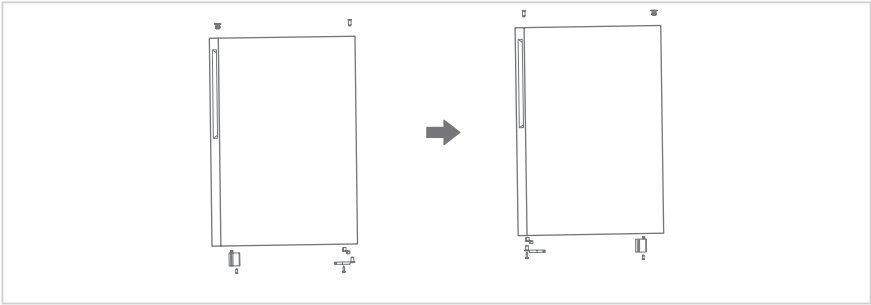
4. Αφαιρέστε το σώμα της πόρτας του καταψύκτη (προσέξτε να μην χάσετε τυχόν μικρά μέρη όπως τα περιβλήματα του άξονα και τα στοπ της πόρτας). Αφαιρέστε τον κάτω μεντεσέ, αφαιρέστε τον άξονα του κάτω μεντεσέ και τοποθετήστε τον στην άλλη πλευρά του μεντεσέ, αφαιρέστε τον κάτω μεντεσέ, αφαιρέστε τον άξονα του κάτω μεντεσέ και τοποθετήστε τον στην άλλη πλευρά του μεντεσέ για εφεδρική χρήση.



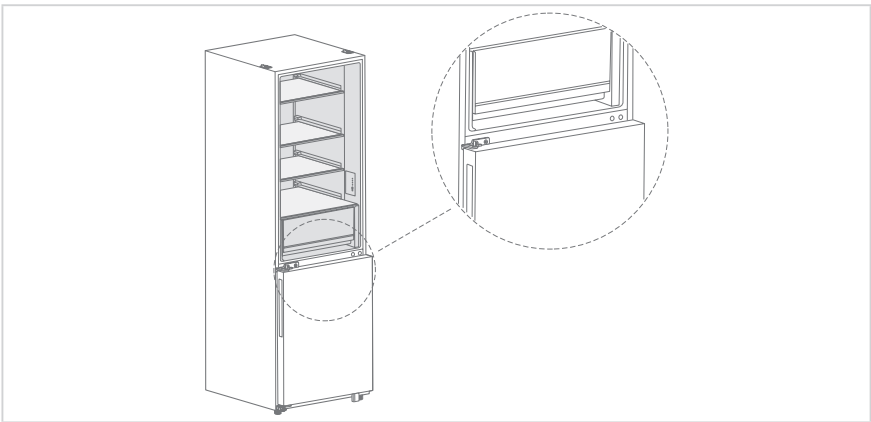
5. Αντιστροφή ανοίγματος πόρτας ψύξης. Αφαιρέστε το αριστερό διακοσμητικό κάλυμμα, αφαιρέστε το δεξί διακοσμητικό κάλυμμα από τη συσκευασία εξαρτημάτων και τοποθετήστε το στην άλλη πλευρά του καλύμματος του άνω άκρου. Αφαιρέστε την ασφάλεια της πόρτας ψύξης αυτόματα, το στοπ της πόρτας, αφαιρέστε την αριστερή ασφάλεια της πόρτας από τη συσκευασία εξαρτημάτων και τοποθετήστε το στοπ της πόρτας και την αριστερή ασφάλεια της πόρτας στην αριστερή πλευρά του καλύμματος του κάτω άκρου.



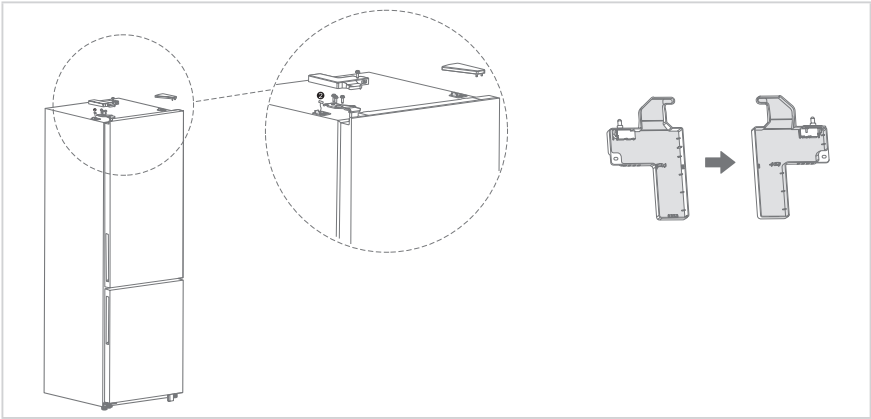
6. Αντίστροφη ανοίγματος πόρτας κατάψυξης. Αφαιρέστε το πώμα του άνω άκρου της πόρτας του καταψύκτη και τοποθετήστε το πώμα στην αριστερή και δεξιά εναλλάξιμη θέση. Αφαιρέστε την ασφάλεια της πόρτας του καταψύκτη, το στοπ της πόρτας και το στήριγμα της πόρτας, αφαιρέστε την αριστερή ασφάλεια της πόρτας από το πακέτο εξαρτημάτων, τοποθετήστε το στοπ της πόρτας και την αριστερή ασφάλεια της πόρτας στην αριστερή πλευρά του καλύμματος του κάτω άκρου του καταψύκτη και τοποθετήστε το στήριγμα της πόρτας στη δεξιά πλευρά του καλύμματος του κάτω άκρου του καταψύκτη.



7. Εγκαταστήστε τον μεσαίο μεντεσέ και τοποθετήστε την πόρτα του καταψύκτη στον μεσαίο μεντεσέ και, στη συνέχεια, τοποθετήστε τον κάτω μεντεσέ και τοποθετήστε το διακοσμητικό κάλυμμα της οπής του μεντεσέ.



8. Αφαιρέστε το κάλυμμα του αριστερού επάνω μεντεσέ από το πακέτο εξαρτημάτων, τον αριστερό επάνω μεντεσέ, αφαιρέστε τον διακόπτη που είναι εγκατεστημένος στο κάλυμμα του δεξιού μεντεσέ και τοποθετήστε τον στο κάλυμμα του αριστερού επάνω μεντεσέ. Τοποθετήστε το σώμα της πόρτας ψύξης στον μεσαίο μεντεσέ και εγκαταστήστε τον αριστερό επάνω μεντεσέ. Συνδέστε την επάνω γραμμή σήματος ② στην αριστερή πλευρά του ψυγείου και τον διακόπτη στο κάλυμμα του αριστερού μεντεσέ, καλύψτε και στερεώστε το κάλυμμα του αριστερού μεντεσέ και, τέλος, εγκαταστήστε το διακοσμητικό κάλυμμα του καλύμματος του μεντεσέ στη δεξιά πλευρά του σώματος του ψυγείου.



● ATTENTION

Λόγω τεχνικών αλλαγών και διαφορετικών μοντέλων, ορισμένες από τις εικόνες σε αυτό το εγχειρίδιο ενδέχεται να διαφέρουν από το μοντέλο σας.

- Βεβαιωθείτε ότι το ψυγείο σας είναι αποσυνδεδεμένο από την πρίζα και άδειο.
- Ζητήστε τη βοήθεια ενός δεύτερου ατόμου για να σας βοηθήσει στη διαδικασία.
- Φυλάξτε όλα τα εξαρτήματα που αφαιρείτε για να τα επαναχρησιμοποιήσετε αργότερα.

GR



Πόδια οριζοντίωσης

Για την αποφυγή κραδασμών, η μονάδα πρέπει να είναι οριζοντιωμένη.

Εάν απαιτείται, ρυθμίστε τις βίδες οριζοντίωσης για να αντισταθμίσετε τυχόν ανωμαλίες του δαπέδου.

Το μπροστινό μέρος πρέπει να είναι ελαφρώς ψηλότερα από το πίσω μέρος, προκειμένου να διευκολύνεται το κλείσιμο της πόρτας.

Οι βίδες οριζοντίωσης μπορούν να περιστραφούν εύκολα γέροντας ελαφρά τον θάλαμο.

Περιστρέψτε τις βίδες οριζοντίωσης αριστερόστροφα  για να ανυψώσετε τη μονάδα και δεξιόστροφα  για να τη χαμηλώσετε.

Μετακίνηση της συσκευής

1. Αφαιρέστε όλα τα τρόφιμα από τη συσκευή.
2. Αποσυνδέστε το φινις τροφοδοσίας, τοποθετήστε και στερεώστε το στο άγκιστρο του φινις τροφοδοσίας στο πίσω ή στο επάνω μέρος της συσκευής.
3. Ασφαλίστε με κολλητική ταινία τα κινούμενα μέρη, όπως τα ράφια και λαβή της πόρτας, ώστε να μην πέσουν κατά τη μετακίνηση της συσκευής.
4. Μετακινήστε προσεκτικά τη συσκευή με τουλάχιστον από δύο άτομα. Κατά τη μεταφορά της συσκευής σε μεγάλη απόσταση, κρατήστε τη συσκευή σε όρθια θέση.
5. Μετά την εγκατάσταση της συσκευής, συνδέστε το βύσμα τροφοδοσίας σε μια πρίζα για να ενεργοποιήσετε τη συσκευή.

ATTENTION

Προφυλάξτε πριν από τη λειτουργία:

Αποσυνδέστε το ψυγείο από το ρεύμα προτού προχωρήσετε σε αλλαγές.

Πρέπει να ληφθούν προφυλάξεις για την αποφυγή τραυματισμού.

Αλλαγή λυχνίας

- Οποιαδήποτε αντικατάσταση ή συντήρηση των λυχνιών LED προορίζεται να εκτελείται από τον κατασκευαστή, τον αντιπρόσωπο σέρβις ή αντίστοιχα εξουσιοδοτημένα άτομα.

ATTENTION

Αυτό το προϊόν περιέχει μια φωτεινή πηγή ενεργειακής απόδοσης τάξης (G).

Σύνδεση της συσκευής

Μετά την εγκατάσταση της συσκευής, συνδέστε το βύσμα τροφοδοσίας σε μια πρίζα.

ATTENTION

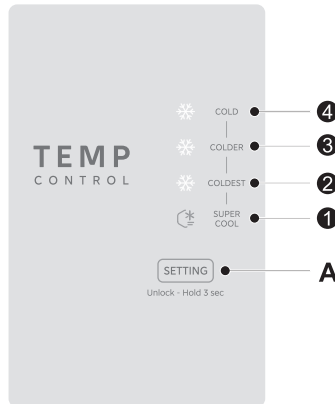
Αφού συνδέσετε το καλώδιο τροφοδοσίας (ή το φινις) στην πρίζα, περιμένετε 2 ή 3 ώρες προτού τοποθετήσετε τρόφιμα στη συσκευή. Εάν προσθέσετε τρόφιμα προτού η συσκευή ψυχθεί εντελώς, τα τρόφιμά σας ενδέχεται να αλλοιωθούν.

Συμβουλές εξοικονόμησης ενέργειας

- Μην τοποθετείτε τη συσκευή κοντά σε μαγειρικές εστίες, καλοριφέρ ή άλλες πηγές θερμότητας. Αν η θερμοκρασία περιβάλλοντος είναι υψηλή, ο συμπιεστής ενεργοποιείται συχνότερα και για μεγαλύτερο χρονικό διάστημα, με αποτέλεσμα να αυξάνεται η κατανάλωση ενέργειας.
- Βεβαιωθείτε ότι η βάση, τα πλάγια και το πίσω μέρος της συσκευής αερίζονται επαρκώς. Μην καλύπτετε ποτέ τα ανοίγματα αερισμού.
- Τηρείτε, επίσης, τις αποστάσεις του κεφαλαίου «Εγκατάσταση».
- Ο τρόπος διάταξης των συρταριών, των ραφιών και των σχαρών στην εικόνα εξασφαλίζει την αποδοτικότερη αξιοποίηση της ενέργειας και, επομένως, πρέπει να ακολουθείται κατά το δυνατόν. Όλα τα συρτάρια και τα ράφια πρέπει να παραμένουν στη συσκευή για τη διατήρηση σταθερής θερμοκρασίας και την εξοικονόμηση ενέργειας.
- Για περισσότερο χώρο αποθήκευσης (π.χ. για μεγάλα νωπά/κατεψυγμένα τρόφιμα) μπορείτε να αφαιρέσετε τα μεσαία συρτάρια. Τα πάνω και τα κάτω συρτάρια και ράφια πρέπει να αφαιρούνται τελευταία, αν χρειάζεται.
- Όταν ο θάλαμος ψύξης/κατάψυξης γεμίζει ομοιόμορφα, βελτιστοποιείται η κατανάλωση ενέργειας. Επομένως, μην αφήνετε τα επιμέρους τμήματα άδεια ή μισογεμάτα.
- Αφήνετε τα ζεστά τρόφιμα να παγώσουν πριν τα τοποθετήσετε στο ψυγείο/την κατάψυξη. Όταν τα τρόφιμα είναι κρύα, αυξάνεται η ενεργειακή απόδοση.
- Ξεπαγώνετε τα κατεψυγμένα τρόφιμα στο ψυγείο. Η χαμηλή θερμοκρασία των κατεψυγμένων τροφίμων μειώνει την κατανάλωση ενέργειας στον θάλαμο ψύξης, αυξάνοντας έτσι την ενεργειακή απόδοση.
- Ανοίγετε την πόρτα μόνο στον βαθμό που είναι απαραίτητο για ελαχιστοποίηση της απώλειας ψύξης. Ανοίγοντας την πόρτα για σύντομα χρονικά διαστήματα και κλείνοντάς την σωστά μειώνεται η κατανάλωση ενέργειας.
- Τα παρεμβύσματα πόρτας της συσκευής σας πρέπει να βρίσκονται σε άριστη κατάσταση, ώστε οι πόρτες να κλείνουν σωστά και να μην αυξάνεται χωρίς λόγο η κατανάλωση ενέργειας.

ΟΔΗΓΙΕΣ ΛΕΙΤΟΥΡΓΙΑΣ

Πίνακας ελέγχου



GR

Κουμπί

A Κουμπί ρύθμισης θερμοκρασίας

Οθόνη

1	LED1 (ΣΟΥΠΕΡ ΨΥΞΗ)
2	LED2 (2 °C/ΠΛΕΟΝ ΨΥΧΡΟ)
3	LED3 (4 °C/ΨΥΧΡΟΤΕΡΟ)
4	LED4 (8 °C/ΨΥΧΡΟ)

Οθόνη

- Όταν ενεργοποιηθεί για πρώτη φορά, θα εμφανιστούν όλες οι ενδείξεις για 3 δευτερόλεπτα, και στη συνέχεια, θα εμφανιστούν οι ενδείξεις λειτουργίας. (επιλέξτε τη ρύθμιση 4 °C την πρώτη φορά).
- Εάν παρουσιαστεί σφάλμα, εμφανίζεται ο κωδικός σφάλματος (κυκλική προβολή). Υπό κανονική λειτουργία, εμφανίζεται η ρύθμιση του ψυγείου αντί για τον κωδικό σφάλματος.
- Υπό κανονικές συνθήκες, μετά από 15 δευτερόλεπτα χωρίς πάτημα κανενός πλήκτρου, η ρύθμιση θα τεθεί σε ισχύ.

Κλειδώμα και Ξεκλειδώμα

- Πιέστε παρατεταμένα για 3 δευτερόλεπτα για να ξεκλειδώσετε. Η λυχνία LED αναβοσβήνει για να υποδείξει ότι το ξεκλειδώμα ήταν επιτυχές. Το κλειδώμα ενεργοποιείται αυτόματα μετά από 15 δευτερόλεπτα χωρίς πάτημα κανενός πλήκτρου.

ΠΡΟΣΟΧΗ

Ο πραγματικός πίνακας ελέγχου ενδέχεται να διαφέρει από μοντέλο σε μοντέλο.

Οδηγίες λειτουργίας

Ρύθμιση επιπέδου

- Πατήστε το κουμπί SETTING μία φορά για να αλλάξετε τη ρύθμιση θερμοκρασίας.
- Επιλέξτε ρύθμιση ως εξής: LED4 - > LED3 - > LED2 - > LED1 - > LED4

Λειτουργία γρήγορης ψύξης

Είσοδος στη λειτουργία:

- Πατήστε το πλήκτρο ελέγχου θερμοκρασίας για να ανάψει η ένδειξη LED1.

Λειτουργία:

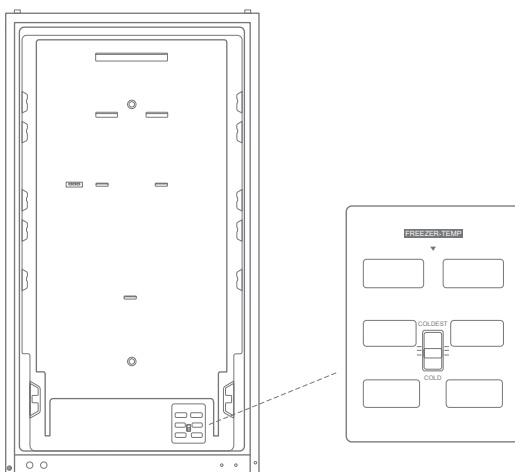
- Ο συμπιεστής λειτουργεί στη μέγιστη ταχύτητα της τρέχουσας θερμοκρασίας περιβάλλοντος.
- Ο ανεμιστήρας λειτουργεί με την τρέχουσα ταχύτητα -1 (η προτεραιότητα είναι χαμηλότερη από την υπερφόρτωση).
- Λειτουργία σύμφωνα με το σημείο έναρξης-διακοπής της ρύθμισης ταχείας ψύξης 2 βαθμών και μην επιλέξετε απόψυξη κατά τη διάρκεια της περιόδου ταχείας ψύξης (εκτός από τη λειτουργία απόψυξης κατά τη λειτουργία).
- Προχωρήστε σε απόψυξη μετά την έξοδο από τη λειτουργία ταχείας ψύξης.

Έξοδος από τη λειτουργία:

- Ρυθμίστε τη θερμοκρασία για έξοδο από τη λειτουργία ταχείας ψύξης.
- Έξοδος μετά από 16 ώρες λειτουργίας σε λειτουργία ταχείας ψύξης.

Ρύθμιση πτερυγίου αεραγωγού

Γυρίστε το ρυθμιστικό του αεραγωγού προς τα πάνω, για να μειώσετε τη θερμοκρασία στο εσωτερικό του θαλάμου κατάψυξης. Γυρίστε το ρυθμιστικό προς τα κάτω, για να αυξήσετε τη θερμοκρασία στο εσωτερικό του θαλάμου κατάψυξης.



Κωδικός σφάλματος

- Οι ακόλουθες προειδοποιήσεις που εμφανίζονται στην οθόνη υποδεικνύουν αντίστοιχα σφάλματα στο ψυγείο. Αν και μπορεί να διατηρούνται η λειτουργία ψύξης και η λειτουργία κατάψυξης στο ψυγείο με τα παρακάτω σφάλματα, ο χρήστης πρέπει να επικοινωνήσει με έναν ειδικό συντήρησης για συντήρηση, ώστε να διασφαλιστεί η κανονική χρήση του ψυγείου.

Κωδικός σφάλματος	Περιγραφή σφάλματος
Οι λυχνίες LED 1 και LED2 αναβοσβήνουν	Σφάλμα του αισθητήρα θερμοκρασίας του ψυγείου
Οι λυχνίες LED 1 και LED3 αναβοσβήνουν	Σφάλμα του αισθητήρα απόψυξης του καταψύκτη
Οι λυχνίες LED 1 και LED4 αναβοσβήνουν	Σφάλματα αισθητήρα θερμοκρασίας περιβάλλοντος

Συμβουλές για τη συντήρηση τροφίμων

Θάλαμος κατάψυξης


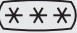


- Η κατάψυξη προορίζεται για την αποθήκευση τροφίμων τα οποία καταψύχονται σε πολύ χαμηλή θερμοκρασία, μακροπρόθεσμη αποθήκευση κατεψυγμένων τροφίμων και παραγωγή πάγου.
- Χρησιμοποιείτε τα ράφια στην πόρτα της κατάψυξης μόνο για την αποθήκευση κατεψυγμένων τροφίμων, όχι για την αποθήκευση ζεστών τροφίμων που θέλετε να καταψύξετε.
- Μην τοποθετείτε τα φρέσκα τρόφιμα δίπλα στα κατεψυγμένα. Μπορεί τα κατεψυγμένα τρόφιμα να ξεπαγώσουν.
- Προτού καταψύξετε τα φρέσκα τρόφιμα (όπως κρέας, ψάρι ή κιμά), κόψτε τα σε μέρη μεγέθους που υπολογίζετε ότι πρόκειται να καταναλώσετε σε ένα γεύμα.
- Αποθήκευση κατεψυγμένων τροφίμων: οι σχετικές οδηγίες υποδεικνύονται συνήθως στις συσκευασίες και πρέπει να ακολουθούνται. Αν δεν υπάρχουν πληροφορίες στη συσκευασία, μην αποθηκεύετε τα τρόφιμα για πάνω από τρεις μήνες από την ημερομηνία αγοράς.
- Κατά την αγορά κατεψυγμένων τροφίμων διασφαλίζετε ότι αυτά έχουν τη σωστή θερμοκρασία κατάψυξης και ότι η συσκευασία τους δεν έχει υποστεί ζημιά.
- Τα κατεψυγμένα τρόφιμα πρέπει να τοποθετούνται σε κατάλληλες συσκευασίες για τη διατήρηση της ποιότητάς τους και να επανατοποθετούνται στον θάλαμο κατάψυξης το συντομότερο δυνατόν.
- Αν η συσκευασία των κατεψυγμένων τροφίμων έχει υγρασία ή φουσκώνει ασυνήθιστα, είναι πιθανόν τα τρόφιμα να αποθηκεύτηκαν σε λανθασμένη θερμοκρασία και να έχουν χαλάσει.
- Η περίοδος αποθήκευσης των κατεψυγμένων τροφίμων εξαρτάται από τη θερμοκρασία δωματίου, τη ρύθμιση του θερμοστάτη, τη συχνότητα ανοίγματος της πόρτας της κατάψυξης, τον τύπο των τροφίμων και τον χρόνο μεταφοράς του προϊόντος από το κατάστημα στο σπίτι. Τηρείτε πάντα τις οδηγίες της συσκευασίας και μην υπερβαίνετε ποτέ τον μέγιστο χρόνο αποθήκευσης που υποδεικνύεται στη συσκευασία.

Θάλαμος ψύξης

- Για περιορισμό της υγρασίας και της επακόλουθης δημιουργίας πάγου μην τοποθετείτε ποτέ υγρά σε μη σφραγιστά δοχεία στο ψυγείο. Ο πάγος τείνει να συγκεντρώνεται στα ψυχρότερα μέρη του εξαιριστή. Η αποθήκευση υγρών σε δοχεία χωρίς καπάκι έχει ως αποτέλεσμα την ανάγκη τακτικότερης απόψυξης.
- Μην τοποθετείτε ποτέ θερμά τρόφιμα στο ψυγείο. Αφήστε τα πρώτα να παγώσουν σε θερμοκρασία δωματίου και, στη συνέχεια, τοποθετήστε τα στο ψυγείο, ώστε να διασφαλίσετε την επαρκή κυκλοφορία αέρα στο ψυγείο.
- Τα τρόφιμα ή τα δοχεία τροφίμων δεν πρέπει να ακουμπούν στο πίσω μέρος του ψυγείου, επειδή μπορεί να παγώσουν υπερβολικά και να κολλήσουν στον τοίχο του ψυγείου. Μην ανοίγετε τακτικά την πόρτα του ψυγείου.
- Μπορείτε να τοποθετήσετε κρέας και καθαρισμένο ψάρι (συσκευασμένα ή τυλιγμένα σε σελοφάν) στο ψυγείο, τα οποία θα πρέπει όμως να καταναλωθούν μέσα σε 1-2 ημέρες.
- Τα μη συσκευασμένα φρούτα και λαχανικά μπορούν να τοποθετηθούν στο μέρος που προορίζεται για φρέσκα φρούτα και λαχανικά.

ATTENTION

Η βέλτιστη ρύθμιση θερμοκρασίας των θαλάμων εξαρτάται από τη θερμοκρασία περιβάλλοντος. Η βέλτιστη θερμοκρασία που υποδεικνύεται παραπάνω βασίζεται σε θερμοκρασία περιβάλλοντος 25 °C.

Σειρά	ΤΥΠΟΣ θαλάμων	Στόχος θερμοκρασίας αποθήκευσης [°C]	Κατάλληλα τρόφιμα
1	Ψυγείο	$+2 \leq x \leq +8$	Αυγά, μαγειρεμένα τρόφιμα, συσκευασμένα τρόφιμα, φρούτα και λαχανικά, γαλακτοκομικά προϊόντα, κέικ, ποτά και άλλα τρόφιμα δεν είναι κατάλληλα για κατάψυξη.
2	 Κατάψυξη τεσσάρων αστερών	$x \leq -18$	Με ικανότητα κατάψυξης και λειτουργία ταχείας κατάψυξης, μπορεί να καταψύξει τρόφιμα γρήγορα. Κατάλληλο για κατεψυγμένα νωπά τρόφιμα, όπως θαλασσινά (ψάρια, γαρίδες, οστρακοειδή), προϊόντα γλυκού νερού και προϊόντα κρέατος. Συνιστάται για 3 - 6 μήνες, όσο μεγαλύτερος είναι ο χρόνος αποθήκευσης, τόσο υποβαθμίζεται η γεύση και η θρεπτική αξία.
3	 Κατάψυξη τριών αστερών	$x \leq -18$	Με ικανότητα κατάψυξης. Κατάλληλο για κατεψυγμένα νωπά τρόφιμα, όπως θαλασσινά (ψάρια, γαρίδες, οστρακοειδή), προϊόντα γλυκού νερού και προϊόντα κρέατος. Δεν συνιστάται για περισσότερο από 3 μήνες.
4	 Κατάψυξη δύο αστερών	$x \leq -12$	Κατάλληλο μόνο για περιορισμένες διάρκειας αποθήκευση ήδη κατεψυγμένων τροφίμων, π.χ. παγωτό. Δεν συνιστάται για περισσότερο από 1 μήνα.
5	 Κατάψυξη ενός αστεριού	$x \leq -6$	Κατάλληλο μόνο για ψύξη και βραχυπρόθεσμη αποθήκευση μικρών ποσοτήτων ήδη κατεψυγμένων τροφίμων. Δεν συνιστάται για περισσότερο από 1 εβδομάδα.
6	0-αστέρια	$-6 \leq x \leq 0$	Νωπό χοιρινό, μοσχαρίσιο κρέας, ψάρι, κοτόπουλο, ορισμένα συσκευασμένα επεξεργασμένα τρόφιμα κ.λπ. (Συνιστάται να καταναλώνονται εντός της ίδιας ημέρας, κατά προτίμηση όχι περισσότερο από 3 ημέρες). Μερικώς επεξεργασμένα τρόφιμα με ενθυλακωμένα συστατικά (τρόφιμα χωρίς δυνατότητα κατάψυξης).
7	Ψύξη	$-2 \leq x \leq +3$	Νωπό/κατεψυγμένο χοιρινό, μοσχάρι, κοτόπουλο, προϊόντα γλυκού νερού, κ.λπ. (7 ημέρες κάτω από τους 0 °C και πάνω από τους 0 °C, συνιστάται η κατανάλωση εντός της ίδιας ημέρας, κατά προτίμηση όχι περισσότερο από 2 ημέρες). Θαλασσινά (κάτω από τους 0 °C για 15 ημέρες, δεν συνιστάται η αποθήκευση πάνω από 0 °C).
8	Νωπά τρόφιμα	$0 \leq x \leq +4$	Νωπό χοιρινό, μοσχαρίσιο κρέας, ψάρι, κοτόπουλο, μαγειρεμένα τρόφιμα κ.λπ. (Συνιστάται η κατανάλωση εντός της ίδιας ημέρας, κατά προτίμηση όχι περισσότερο από 3 ημέρες)
9	Κρασί	$+5 \leq x \leq +20$	Κόκκινο κρασί, λευκό κρασί, αφρώδης οίνος κ.λπ.

GR

ATTENTION

αποθηκεύετε διαφορετικά τρόφιμα ανάλογα με τους θαλάμους ή τον στόχο θερμοκρασίας αποθήκευσης-του προϊόντος που αγοράσατε.

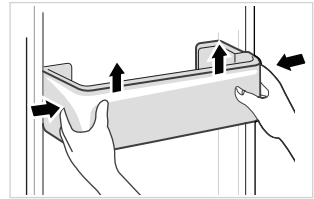
ΚΑΘΑΡΙΣΜΟΣ ΚΑΙ ΣΥΝΤΗΡΗΣΗ

Απόψυξη

- Το ψυγείο κατασκευάζεται με βάση την αρχή της ψύξης του αέρα και έτσι διαθέτει λειτουργία αυτόματης απόψυξης. Ο παγετός που σχηματίζεται λόγω αλλαγής εποχής ή θερμοκρασίας μπορεί επίσης να αφαιρεθεί χειροκίνητα με αποσύνδεση της συσκευής από την παροχή ρεύματος ή σκουπίζοντας με στεγνή πετσέτα.

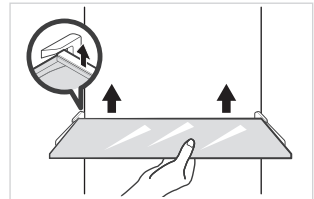
Καθαρισμός ραφίου πόρτας

- Σύμφωνα με το βέλος κατεύθυνσης στο παρακάτω σχήμα, χρησιμοποιήστε και τα δύο χέρια για να συμπιέσετε το ράφι και να το σπρώξετε προς τα πάνω, ώστε να μπορέσετε να το αφαιρέσετε.
- Αφού πλύνετε το ράφι που έχετε αφαιρέσει, μπορείτε να προσαρμόσετε το ύψος τοποθέτησής του σύμφωνα με τις απαιτήσεις σας.



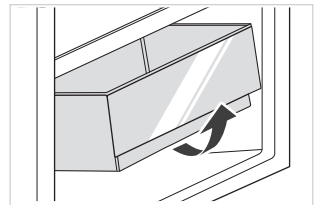
Καθαρισμός γυάλινου ραφίου

- Δεδομένου ότι το εσωτερικό μέρος της επένδυσης του ψυγείου όπου έρχεται σε επαφή με τα ράφια έχει οπίσθιο στήριγμα, θα πρέπει να σηκώνετε τα ράφια προς τα πάνω, ώστε να μπορέσετε να τα αφαιρέσετε.
- Ρυθμίστε ή καθαρίστε τα ράφια σύμφωνα με τις απαιτήσεις σας.



Καθαρισμός του συρταριού λαχανικών

1. Αφαιρέστε τα περιεχόμενα του συρταριού. Κρατήστε το χερούλι του συρταριού λαχανικών και τραβήξτε το εντελώς προς τα έξω έως ότου να σταματήσει.
2. Σηκώστε το συρτάρι λαχανικών προς τα πάνω και αφαιρέστε το τραβώντας το προς τα έξω.



● ATTENTION

Για τον καθαρισμό συνιστάται η χρήση απαλού πανιού ή σφουγγαριού βουτηγμένου σε νερό και μη διαβρωτικών ουδετέρων καθαριστικών. Ο θάλαμος κατάψυξης πρέπει να καθαρίζεται με καθαρό νερό και στεγνό πανί. Ανοίξτε την πόρτα για να στεγνώσει το ψυγείο φυσικά πριν την ενεργοποίηση. Μην χρησιμοποιείτε σκληρές βούρτσες, σύρμα καθαρισμού, συρματόβουρτσες, διαβρωτικές ουσίες, όπως π.χ. οδοντόκρεμες, οργανικούς διαλύτες (π.χ. οινόπνευμα, ασετόν, έλαιο μπανάνας κτλ.), βραστό νερό και όξινα ή αλκαλικά διαλύματα για τον καθαρισμό του ψυγείου, επειδή μπορεί αυτά να προκαλέσουν ζημιά στην επιφάνεια και το εσωτερικό του.

ΑΝΤΙΜΕΤΩΠΙΣΗ ΠΡΟΒΛΗΜΑΤΩΝ

Τα παρακάτω απλά ζητήματα μπορούν να επιλυθούν από τον χρήστη. Καλέστε το τμήμα εξυπηρέτησης μετά την πώληση εάν τα προβλήματα παραμένουν.

Πρόβλημα	Πιθανή αιτία
Αποτυχία λειτουργίας	• Ελέγξτε εάν η συσκευή είναι συνδεδεμένη με το ρεύμα ή εάν το φως έχει καλή επαφή
	• Ελέγξτε εάν η τάση είναι υπερβολικά χαμηλή
	• Ελέγξτε εάν υπάρχει διακοπή ρεύματος ή έχουν βραχυκυκλώσει κάποια κυκλώματα
Οσμή	• Τα τρόφιμα με έντονη μυρωδιά πρέπει να τυλίγονται σφιχτά
	• Ελέγξτε εάν έχουν χαλάσει κάποια τρόφιμα
	• Καθαρίστε το εσωτερικό του ψυγείου
Μακροχρόνια λειτουργία του συμπιεστή	• Η μακροχρόνια λειτουργία του ψυγείου είναι φυσιολογική το καλοκαίρι όταν η θερμοκρασία περιβάλλοντος είναι υψηλή
	• Δεν συνιστάται να έχετε υπερβολικά πολλά τρόφιμα μέσα στη συσκευή ταυτόχρονα
	• Τα τρόφιμα πρέπει να κρυώσουν πριν τοποθετηθούν στη συσκευή
	• Οι πόρτες ανοίγουν πολύ συχνά
Το φως δεν ανάβει	• Ελέγξτε εάν το ψυγείο είναι συνδεδεμένο στο ρεύμα και εάν το φως έχει υποστεί ζημιά
	• Ζητήστε από έναν ειδικό να αντικαταστήσει τη λυχνία φωτός
Η πόρτα δεν κλείνει σωστά	• Η πόρτα έχει κολλήσει από συσκευασίες τροφίμων
	• Το ψυγείο είναι κεκλιμένο.
Δυνατός θόρυβος	• Ελέγξτε εάν το δάπεδο είναι επίπεδο και αν το ψυγείο έχει τοποθετηθεί σταθερά
	• Ελέγξτε εάν τα εξαρτήματα έχουν τοποθετηθεί σε κατάλληλες θέσεις

GR

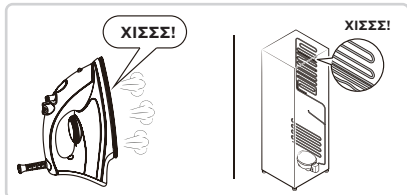
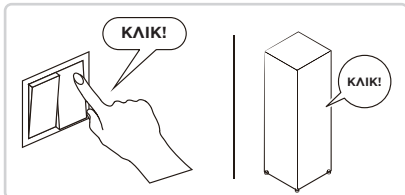
Πρόβλημα	Πιθανή αιτία
Η στεγανοποίηση της πόρτας δεν είναι σφικτή	<ul style="list-style-type: none"> • Αφαιρέστε ξένα σώματα από τη σφράγιση της πόρτας • Θερμάνετε το λάστιχο της πόρτας και, στη συνέχεια, αφήστε το να ψυχθεί για αποκατάσταση (χρησιμοποιήστε ένα σεσουάρ μαλλιών ή μια ζεστή πετσέτα για να το θερμάνετε)
Υπερχείλιση του δίσκου νερού	<ul style="list-style-type: none"> • Υπάρχουν υπερβολικά πολλά τρόφιμα στον θάλαμο ή τα τρόφιμα που αποθηκεύονται περιέχουν πολύ νερό, με αποτέλεσμα έντονη απόψυξη • Οι πόρτες δεν έχουν κλείσει σωστά, με αποτέλεσμα να παγώνουν λόγω εισόδου αέρα και αυξημένου νερού λόγω απόψυξης
Ζεστό περιβλήμα	<ul style="list-style-type: none"> • Απαγωγή θερμότητας του ενσωματωμένου συμπυκνωτή μέσω του περιβλήματος, κάτι που είναι φυσιολογικό. Όταν το περιβλήμα ζεσταθεί λόγω της υψηλής θερμοκρασίας περιβάλλοντος, η αποθήκευση υπερβολικής ποσότητας τροφίμων ή η διακοπή λειτουργίας του συμπιεστή, παρέχετε καλό εξαερισμό για διευκόλυνση της απαγωγής θερμότητας
Επιφανειακή συμπύκνωση υδρατμών	<ul style="list-style-type: none"> • Η συμπύκνωση υδρατμών στην εξωτερική επιφάνεια και τις στεγανοποιήσεις των πορτών του ψυγείου είναι φυσιολογική όταν η υγρασία περιβάλλοντος είναι πολύ υψηλή. Απλώς σκουπίστε την υγρασία με μια καθαρή πετσέτα.
Μη φυσιολογικός θόρυβος	<ul style="list-style-type: none"> • Βόμβος: Ο συμπιεστής μπορεί να παράγει βόμβους κατά τη λειτουργία και οι βόμβοι είναι δυνατοί ιδιαίτερα κατά την εκκίνηση ή τη διακοπή. Αυτό είναι φυσιολογικό. • Τρίξιμο: Το ψυκτικό που ρέει στο εσωτερικό της συσκευής μπορεί να προκαλέσει τρίξιμο, κάτι που είναι φυσιολογικό.

Ακούτε αυτούς τους ήχους όπως περιγράφονται παρακάτω. Συνήθως αυτοί οι ήχοι είναι φυσιολογικοί.



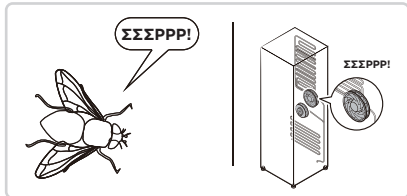
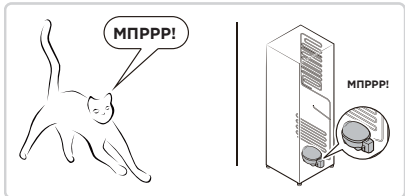
ΚΛΙΚ: Κάποια ηλεκτρικά εξαρτήματα στο ψυγείο, όπως η ηλεκτρική βαλβίδα, κάνουν αυτόν τον ήχο όταν λειτουργούν. Αυτό είναι φυσιολογικό.

ΧΙΣΣΣ: Όταν το ψυκτικό μέσο ρέει στον εξατμιστή, κάνει αυτόν τον θόρυβο. Αυτό είναι φυσιολογικό.



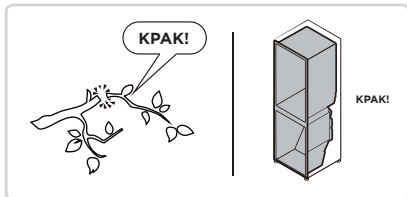
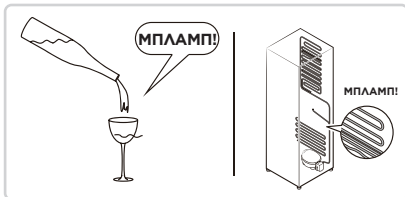
ΜΠΡΡΡΡ: Ο συμπιεστής κάνει αυτόν τον θόρυβο όταν λειτουργεί και οι βόμβοι είναι δυνατοί ιδιαίτερα κατά την εκκίνηση ή το σταμάτημα. Αυτό είναι φυσιολογικό.

ΣΣΣΡΡΡΡ: Το μοτέρ του ανεμιστήρα στο ψυγείο No frost κάνει αυτόν τον θόρυβο όταν λειτουργεί. Αυτό είναι φυσιολογικό.



ΜΠΛΑΜΠ: Το ψυκτικό μέσο που ρέει μέσα στους σωλήνες του ψυγείου κάνει αυτόν τον θόρυβο. Αυτό είναι φυσιολογικό.

ΚΡΑΚ: Ήχος θραύσης: στη συνολική δομή του ψυγείου, ο παγετός που συγκεντρώνεται στον αεραγωγό παράγει ήχο λόγω της θερμικής διαστολής και συστολής. Αυτά είναι επίσης φυσιολογικά φαινόμενα.



GR

ΠΑΡΑΡΤΗΜΑ

Ειδικό για το νέο ευρωπαϊκό πρότυπο

Τα εξαρτήματα στον παρακάτω πίνακα μπορούν να αποκτηθούν από το δίκτυο τεχνικής εξυπηρέτησης

Εξάρτημα παραγγελίας	Παρέχεται από	Ελάχιστος χρόνος που απαιτείται για παροχή
Θερμοστάτες	Επαγγελματικό προσωπικό συντήρησης	Τουλάχιστον 7 χρόνια μετά την κυκλοφορία του τελευταίου μοντέλου στην αγορά
Αισθητήρες θερμοκρασίας	Επαγγελματικό προσωπικό συντήρησης	Τουλάχιστον 7 χρόνια μετά την κυκλοφορία του τελευταίου μοντέλου στην αγορά
Πλακέτες τυπωμένων κυκλωμάτων	Επαγγελματικό προσωπικό συντήρησης	Τουλάχιστον 7 χρόνια μετά την κυκλοφορία του τελευταίου μοντέλου στην αγορά
Πηγή φωτός	Επαγγελματικό προσωπικό συντήρησης	Τουλάχιστον 7 χρόνια μετά την κυκλοφορία του τελευταίου μοντέλου στην αγορά
Λαβές πόρτας	Επαγγελματίες τεχνικοί και τελικοί χρήστες	Τουλάχιστον 7 χρόνια μετά την κυκλοφορία του τελευταίου μοντέλου στην αγορά
Μεντεσέδες πόρτας	Επαγγελματίες τεχνικοί και τελικοί χρήστες	Τουλάχιστον 7 χρόνια μετά την κυκλοφορία του τελευταίου μοντέλου στην αγορά
Ράφια	Επαγγελματίες τεχνικοί και τελικοί χρήστες	Τουλάχιστον 7 χρόνια μετά την κυκλοφορία του τελευταίου μοντέλου στην αγορά
Καλάθια	Επαγγελματίες τεχνικοί και τελικοί χρήστες	Τουλάχιστον 7 χρόνια μετά την κυκλοφορία του τελευταίου μοντέλου στην αγορά
Λάστιχα πόρτας	Επαγγελματίες τεχνικοί και τελικοί χρήστες	Τουλάχιστον 10 χρόνια μετά την κυκλοφορία του τελευταίου μοντέλου στην αγορά

Αγαπητέ πελάτη

- Εάν θέλετε να επιστρέψετε ή να αντικαταστήσετε το προϊόν, επικοινωνήστε με το κατάστημα αγοράς.
(Θυμηθείτε να φέρετε το τιμολόγιο αγοράς)
- Εάν το προϊόν σας χαλάσει και πρέπει να επισκευαστεί, επικοινωνήστε με τον πάροχο υπηρεσιών μετά την πώληση.

ΠΡΟΣΟΧΗ

Μπορείτε να λάβετε τις πληροφορίες μοντέλου στη βάση δεδομένων του προϊόντος, καθώς επίσης και το αναγνωριστικό μοντέλου, μέσω μιας ιστοσελίδας, σαρώνοντας τον κωδικό QR, εάν υπάρχει, στην ετικέτα ενεργειακής απόδοσης του προϊόντος.

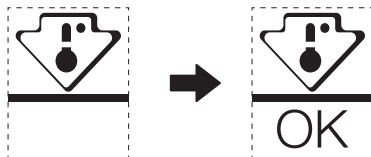
Για περισσότερες πληροφορίες σχετικά με την ενεργειακή απόδοση της συσκευής, επισκεφθείτε τη διεύθυνση <https://ec.europa.eu> και αναζητήστε χρησιμοποιώντας το όνομα του μοντέλου.

Το όνομα μοντέλου βρίσκεται στην ετικέτα αξιολόγησης της συσκευής.

Η ψυχρότερη ζώνη στο ψυγείο

ΠΡΟΑΙΡΕΤΙΚΑ: Ένδειξη θερμοκρασίας OK

- Η ένδειξη θερμοκρασίας OK μπορεί να χρησιμοποιηθεί για τον προσδιορισμό θερμοκρασιών κάτω από τους +4 °C. Μειώστε σταδιακά τη θερμοκρασία εάν η ένδειξη δεν είναι «OK».



- Για να διασφαλίσετε τη θερμοκρασία σε αυτή την περιοχή, μην αλλάζετε τη θέση του ραφιού. Στα ψυγεία ροής αέρα (εξοπλισμένα με ανεμιστήρα ή μοντέλα No Frost), το σύμβολο της ψυχρότερης ζώνης δεν απεικονίζεται, επειδή η θερμοκρασία στο εσωτερικό είναι ομοιόμορφη.

Ρύθμιση ένδειξης θερμοκρασίας

- Για διευκόλυνση της σωστής ρύθμισης, το ψυγείο σας είναι εξοπλισμένο με μια ένδειξη θερμοκρασίας που παρακολουθεί τη μέση θερμοκρασία της ψυχρότερης ζώνης.
- ΠΡΟΕΙΔΟΠΟΙΗΣΗ: Αυτή η ένδειξη προορίζεται μόνο για λειτουργία με το ψυγείο σας, μην τη χρησιμοποιείτε σε άλλο ψυγείο (για την ακρίβεια, η ψυχρότερη ζώνη δεν είναι η ίδια) ή για οποιαδήποτε άλλη χρήση.

Έλεγχος της θερμοκρασίας στην ψυχρότερη ζώνη

- Με την ένδειξη θερμοκρασίας, μπορείτε να ελέγχετε τακτικά ότι η θερμοκρασία της ψυχρότερης ζώνης είναι σωστή. Πράγματι, η εσωτερική θερμοκρασία του ψυγείου εξαρτάται από διάφορους παράγοντες, όπως η θερμοκρασία περιβάλλοντος του χώρου, η ποσότητα των αποθηκευμένων τροφίμων και η συχνότητα ανοίγματος της πόρτας. Λάβετε υπόψη σας αυτούς τους παράγοντες κατά τη ρύθμιση της συσκευής.
- Όταν η ένδειξη είναι "OK", σημαίνει ότι ο θερμοστάτης είναι ρυθμισμένος κατάλληλα και η θερμοκρασία στο εσωτερικό είναι σωστή.
- Εάν η ένδειξη της θερμοκρασίας γίνει ΛΕΥΚΗ, αυτό σημαίνει ότι η θερμοκρασία είναι πολύ υψηλή- σε αυτή την περίπτωση, αυξήστε τη ρύθμιση ελέγχου της θερμοκρασίας του ψυγείου και περιμένετε 12 ώρες προτού πραγματοποιήσετε νέο οπτικό έλεγχο της ένδειξης. Εάν έχουν τοποθετηθεί φρέσκα τρόφιμα ή η πόρτα έχει μείνει ανοιχτή, ενδέχεται να χρειαστεί λίγος χρόνος έως ότου η ένδειξη της θερμοκρασίας να γίνει ΛΕΥΚΗ.

GR

LIST Z PODZIĘKOWANIEM

Dziękujemy za wybranie produktu Midea! Przed użyciem nowego produktu firmy Midea dokładnie zapoznaj się z niniejszą instrukcją, aby mieć pewność, że wiesz, jak bezpiecznie korzystać z funkcji oferowanych przez nowe urządzenie.

SPIS TREŚCI

LIST Z PODZIĘKOWANIEM	01
SPECYFIKACJA	02
KRÓTKI OPIS PRODUKTU	03
INSTALACJA PRODUKTU	05
INSTRUKCJA OBSŁUGI	13
CZYSZCZENIE I KONSERWACJA	18
ROZWIĄZYWANIE PROBLEMÓW	19
DODATEK	22

SPECYFIKACJA

Model produktu	MDRB548MME*
Napięcie znamionowe/częstotliwość	220-240 V- / 50 Hz
Natężenie znamionowe	1,4 A
Łączna pojemność	401 l
Pojemność komory na żywność świeżą	271 l
Pojemność komory zamrażarki z czterema gwiazdkami	130 l
Wydajność mrożenia	8,0 kg / 24 godz.
Czas wzrostu temperatury	8 godz.
Wymiary ogólne (szer. x gł. x wys.)	595 x 670 x 1860 mm

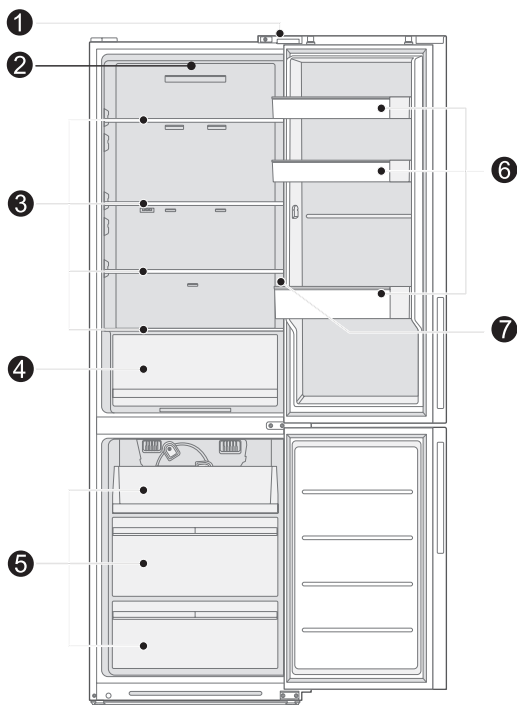
Model produktu	MDRB600MME*
Napięcie znamionowe/częstotliwość	220-240 V- / 50 Hz
Natężenie znamionowe	1,4 A
Łączna pojemność	443 l
Pojemność komory na żywność świeżą	313 l
Pojemność komory zamrażarki z czterema gwiazdkami	130 l
Wydajność mrożenia	8,0 kg / 24 godz.
Czas wzrostu temperatury	8 godz.
Wymiary ogólne (szer. x gł. x wys.)	595 x 670 x 2010 mm

PL

KRÓTKI OPIS PRODUKTU

Elementy

MDRB548MME*



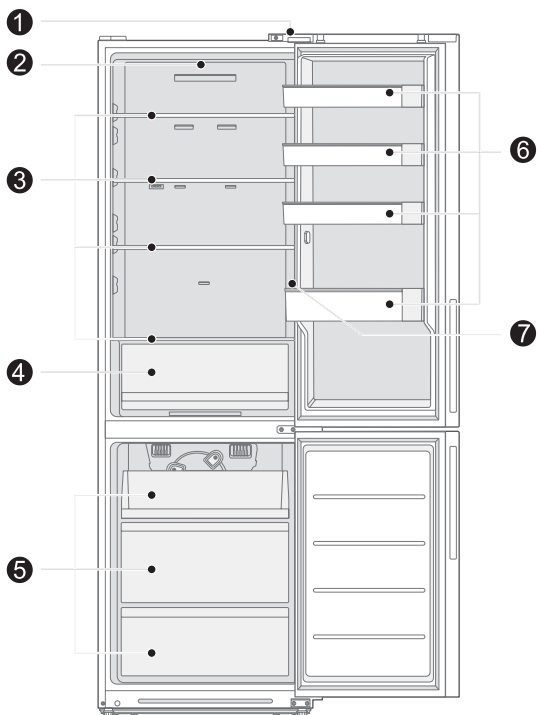
- | | | | |
|---|-----------------------------|---|-------------------|
| 1 | Przełącznik drzwi | 5 | Szuflada |
| 2 | Lampa LED | 6 | Balkonik na drzwi |
| 3 | Półka | 7 | Panel sterowania |
| 4 | Szuflada na owoce i warzywa | | |

UWAGA

Powyższa ilustracja ma charakter poglądowy. Rzeczywista konfiguracja zależy od modelu bądź zamówienia dystrybutora.

PL

MDRB600MME*



- | | | | |
|---|-----------------------------|---|-------------------|
| 1 | Przełącznik drzwi | 5 | Szublada |
| 2 | Lampa LED | 6 | Balkonik na drzwi |
| 3 | Półka | 7 | Panel sterowania |
| 4 | Szublada na owoce i warzywa | | |

UWAGA

Powyższa ilustracja ma charakter poglądowy. Rzeczywista konfiguracja zależy od modelu bądź zamówienia dystrybutora.

INSTALACJA PRODUKTU

Instrukcja instalacji

Dla urządzeń chłodniczych z oznaczoną klasą klimatyczną

- W zależności od klasy klimatycznej niniejsze urządzenie chłodnicze jest przeznaczone do użytku w zakresach temperatur otoczenia podanych w poniższej tabeli.
- Klasę klimatyczną można znaleźć na tabliczce znamionowej. Produkt może nie działać prawidłowo w temperaturach spoza określonego zakresu.
- Klasę klimatyczną można znaleźć na etykiecie produktu.

Zakres temperatury efektywnej

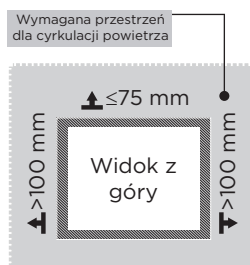
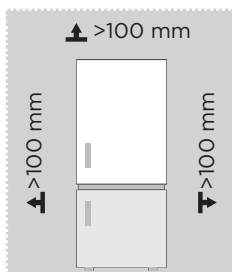
- Produkt został zaprojektowany do pracy w zakresie temperatur określonym przez jej klasę znamionową.

Klasa	Symbol	Zakres temperatury otoczenia (°C)	
		IEC 62552 (ISO 15502)	ISO 8561
Rozszerzona umiarkowana	SN	+10°C do +32°C	+10°C do +32°C
Umiarkowana	N	+16°C do +32°C	+16°C do +32°C
Subtropikalna	ST	+16°C do +38°C	+18°C do +38°C
Tropikalna	T	+16°C do +43°C	+18°C do +43°C

PL

Wymiary i odstępy

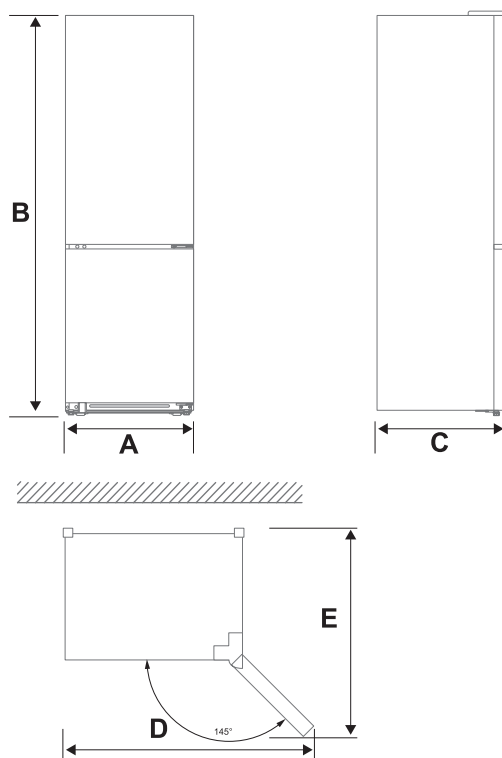
- Zapewnić odpowiednią ilość wolnego miejsca, aby umożliwić prawidłowy obieg powietrza. Podczas montażu urządzenia zostawić odstęp 10 cm po bokach, 10 cm na górze urządzenia i nie więcej niż 7,5 cm z tyłu urządzenia.



● ATTENTION

Powyższa ilustracja ma charakter poglądowy. Rzeczywista konfiguracja zależy od modelu bądź zamówienia dystrybutora.

Schemat wymogów przestrzennych (zarówno z zamkniętymi, jak i otwartymi drzwiami)



PL

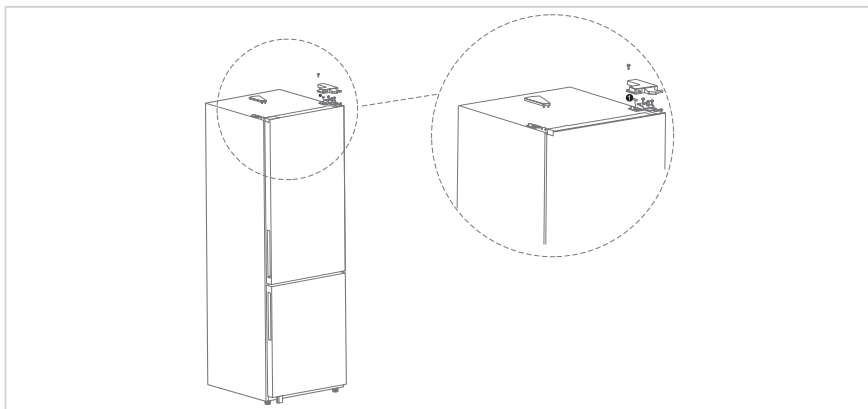
Model	Szerokość	Wysokość łączna	Głębokość	Szerokość, drzwi otwarte pod kątem 145°	Głębokość, drzwi otwarte pod kątem 145°
	A	B	C	D	E
MDRB548MME*	595	1860	670	960	1070
MDRB600MME*	595	2010	670	960	1070

Uwaga: Wszystkie podane wymiary są wyrażone w mm

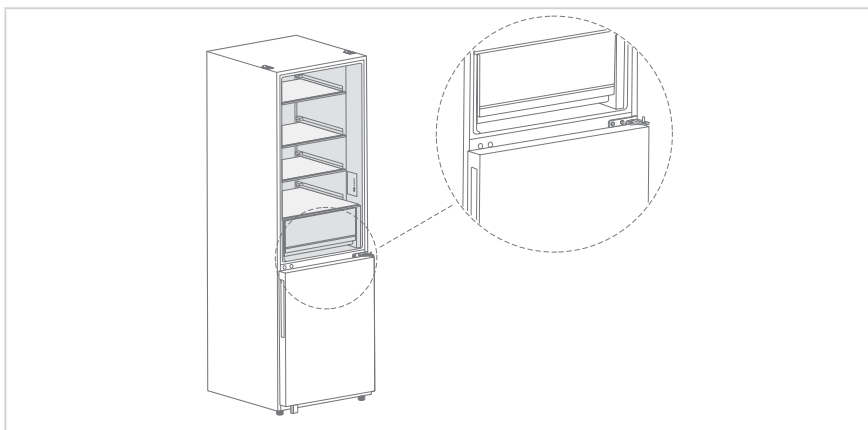
Zmiana kierunku otwierania drzwi

W zależności od miejsca, gdzie lodówka będzie ustawiona, może zająć konieczność zmiany kierunku otwierania drzwi.

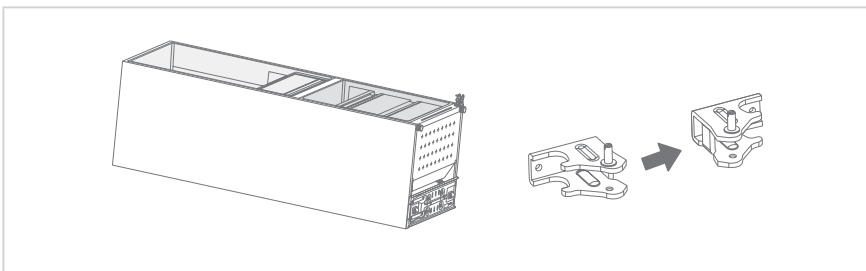
1. Wyjmij przedmioty z korpusu drzwi.
2. Zdejmij maskownicę górnego lewego zawiasu, maskownicę górnego prawego zawiasu, górny prawy zawias, odłącz linię sygnałową po prawej górnej stronie korpusu lodówki (linia sygnałowa ①).



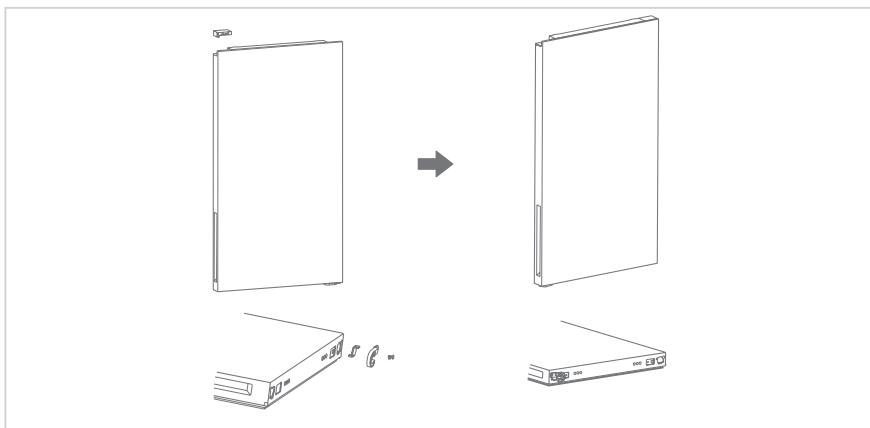
3. Zdejmij korpus drzwi lodówki (zwróć uwagę, aby nie zgubić małych części, takich jak ograniczniki drzwi); Zdejmij środkowy zawias do użytku zapasowego i zdejmij pokrywę dekoracyjną otworu zawiasu, nasadkę i śruby po drugiej stronie.



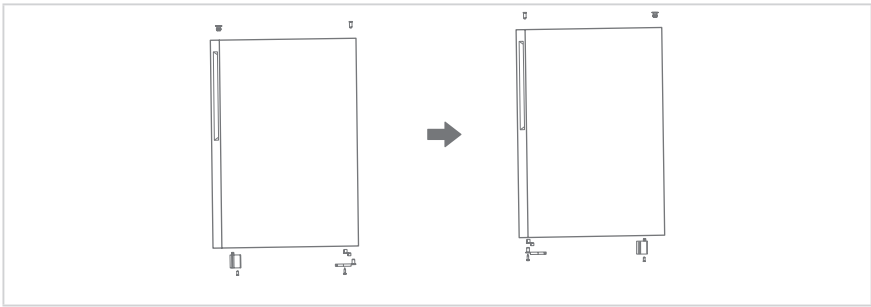
4. Zdejmij korpus drzwi zamrażarki (uważaj, aby nie zgubić małych części, takich jak tuleje wału i ograniczniki drzwi); Zdejmij dolny zawias, zdejmij dolny wałek zawiasu i zamontuj go po drugiej stronie zawiasu, zdejmij dolny wałek zawiasu i zamontuj go po drugiej stronie zawiasu do wykorzystania zapasowego.



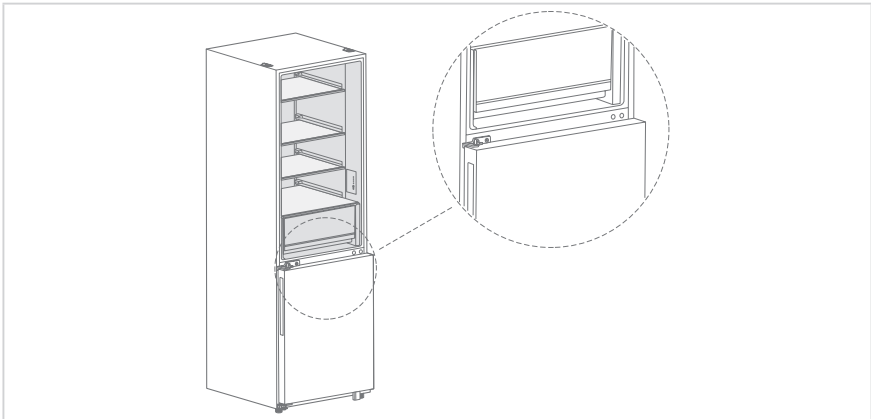
5. Wymiana drzwi lodówki; Zdejmij lewą pokrywę dekoracyjną, zdejmij prawą pokrywę dekoracyjną z pakietu akcesoriów i zamontuj ją po drugiej stronie górnej osłony końcowej; zdejmij mechanizm samoblokujący drzwi lodówki, ogranicznik drzwi, zdejmij mechanizm samoblokujący lewych drzwi z pakietu akcesoriów i zamontuj kolejno ogranicznik drzwi i mechanizm samoblokujący lewych drzwi po lewej stronie dolnej osłony końcowej.



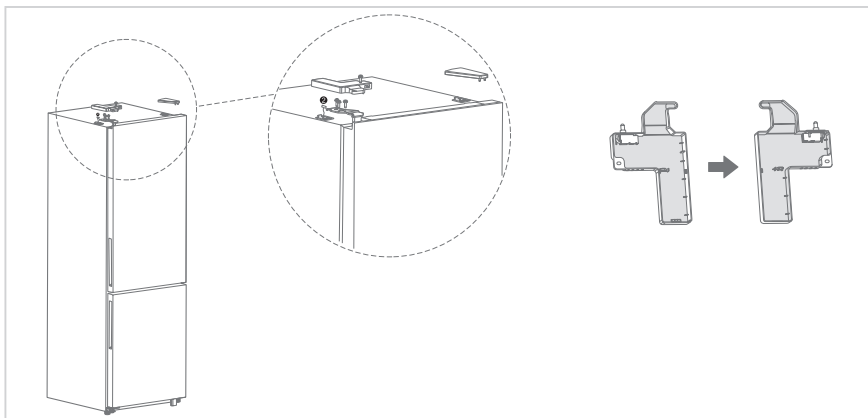
6. Przełącznik drzwi zamrażarki; Zdejmij górną tuleję zaślepki drzwi zamrażarki i zainstaluj zaślepkę w lewej i prawej wymiennej pozycji; Zdejmij mechanizm samoblokujący drzwi zamrażarki, ogranicznik drzwi i wspornik drzwi, zdejmij mechanizm samoblokujący lewych drzwi z pakietu akcesoriów, zamontuj kolejno ogranicznik drzwi i mechanizm samoblokujący lewych drzwi po lewej stronie dolnej osłony końcowej zamrażarki, a następnie zamontuj wspornik drzwi po prawej stronie dolnej osłony końcowej zamrażarki.



7. Zamontuj środkowy zawias i zamontuj drzwi lodówki na środkowym zawiasie, a następnie zamontuj dolny zawias i zakryj otwór zawiasu pokrywą dekoracyjną.



8. Zdejmij maskownicę lewego górnego zawiasu z pakietu akcesoriów, lewy górny zawias, zdejmij przełącznik zamontowany na maskownicy prawego zawiasu i zamontuj go na maskownicy lewego górnego zawiasu; umieść korpus drzwi lodówki na środkowym zawiasie i zamontuj lewy górny zawias; podłącz górną linię sygnałową ❷ po lewej stronie lodówki i przełącznik na maskownicy lewego zawiasu, osłonę i zamocuj maskownicę lewego zawiasu, a na koniec zamontuj dekoracyjną pokrywę zawiasu po prawej stronie korpusu lodówki.



● ATTENTION

Ze względu na zmiany techniczne i różne modele, niektóre ilustracje w tej instrukcji mogą różnić się od danego faktycznego modelu.

- Upewnić się, że lodówka jest odłączona i że jest pusta.
- Skorzystać z pomocy drugiej osoby.
- Zachować wszystkie demontowane elementy, żeby można było użyć ich później.



Nóżki poziomujące

Aby zapobiec wibracjom, należy wypoziomować urządzenie.

W razie potrzeby wyregulować śruby poziomujące, aby skompensować nierówności podłoża.

Przód powinien być lekko uniesiony względem tyłu, aby zamykanie drzwi było łatwiejsze.

Aby ułatwić sobie przekręcanie śrub poziomujących, należy lekko pochylić urządzenie.

Obracać śruby poziomujące w lewo , aby podnieść urządzenie lub w prawo , aby urządzenie obniżyć.

Przemieszczanie urządzenia

1. Wyjąć wszystkie produkty z urządzenia.
2. Odłączyć wtyczkę zasilającą urządzenia od gniazda, umieścić i zablokować ją w uchwycie na wtyczkę z tyłu urządzenia lub na jego wierzchu.
3. Przymocować za pomocą taśmy samoprzylepnej elementy, takie jak półki i rączka drzwiczek, aby zapobiec ich wypadnięciu podczas przemieszczania urządzenia.
4. Urządzenie powinny przemieszczać dwie osoby, zachowując najwyższą ostrożność. Gdy urządzenie jest przemieszczane na dużą odległość, należy utrzymywać je w położeniu pionowym.
5. Po instalacji na miejscu podłączyć wtyczkę zasilającą do gniazda, aby włączyć urządzenie.

ATTENTION

Środki ostrożności przed regulacją:

Przed wprowadzeniem zmian należy odłączyć lodówkę od zasilania.

Należy podjąć odpowiednie środki ostrożności, aby zapobiec obrażeniom ciała.

Wymiana źródła światła

- Wymiana lub konserwacja lamp LED powinna być wykonana przez producenta, podległy mu serwis lub podobny profesjonalny punkt usługowy.

ATTENTION

Urządzenie jest wyposażone w źródło światła o klasie wydajności energetycznej (G).

Podłączanie urządzenia

Po instalacji na miejscu podłączyć wtyczkę zasilającą do gniazda.

ATTENTION

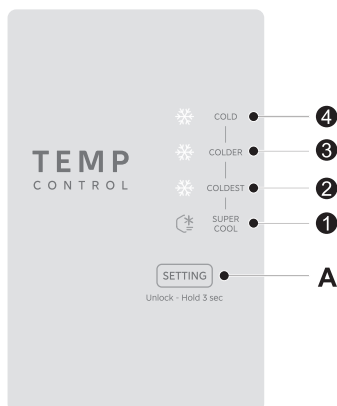
Po podłączeniu przewodu zasilającego (lub wtyczki) do gniazda poczekać 2 do 3 godzin przed umieszczeniem żywności w urządzeniu. Umieszczenie żywności przed schłodzeniem urządzenia może skutkować zepsuciem się żywności.

Wskazówki na temat oszczędzania energii

- Nie umieszczać urządzenia w pobliżu kuchenek, grzejników ani innych źródeł ciepła. Jeżeli temperatura otoczenia jest wysoka, sprężarka będzie pracować częściej i dłużej, co spowoduje wzrost zużycia energii.
- Upewnić się, że urządzenie ma zapewnioną odpowiednią wentylację, zostawiając odpowiednią ilość wolnego miejsca po bokach i z tyłu. Nigdy nie zakrywać otworów wentylacyjnych.
- Zachować też odstępy wspomniane w rozdziale „Montaż”.
- Układ szuflad, półek i półek drucianych pokazany na ilustracji zapewnia najwydajniejsze wykorzystanie energii, dlatego należy go zachować w jak największym stopniu. Wszystkie szuflady i półki należy zostawić w urządzeniu, aby zapewnić stabilność temperatury i oszczędzać energię.
- Aby uzyskać większą przestrzeń do przechowywania (np. na duże produkty mrożone/chłodzone), można usunąć środkowe szuflady. Górne i dolne szuflady i półki należy wyjmować tylko w razie potrzeby.
- Równomierne wypełnienie komory lodówki/zamrażarki przyczynia się do optymalnego zużycia energii. W związku z tym należy unikać pustych lub częściowo zapelnionych komór.
- Przed włożeniem ciepłych potraw do lodówki/zamrażarki należy poczekać, aż ostygną. Żywność, która jest już schłodzona, przyczynia się do wzrostu efektywności energetycznej.
- Zamrożoną żywność należy rozmrażać w lodówce. Chłód uwalniany z zamrożonej żywności będzie obniżać temperaturę w komorze lodówki, co zmniejsza zużycie energii.
- Drzwi otwierać tylko na chwilę, aby zminimalizować straty ciepła. Szybkie zamykanie drzwi pozwala zmniejszyć zużycie energii.
- Uszczelki drzwi urządzenia muszą być w dobrym stanie, aby umożliwić prawidłowe zamykanie drzwi i zapobiec niepotrzebnym stratom energii.

INSTRUKCJA OBSŁUGI

Panel sterowania



Przycisk

A	Przycisk ustawiania temperatury
---	---------------------------------

Ekran wyświetlacza

1	LED 1 (INTENSYWNE CHŁODZENIE)
2	LED 2 (2°C / NAJZIMNIEJSZE USTAWIENIE)
3	LED 3 (4°C / ZIMNIEJSZE USTAWIENIE)
4	LED 4 (8°C / ZIMNE USTAWIENIE)

Wyświetlanie

- Po włączeniu po raz pierwszy, będzie w pełni wyświetlany przez 3 sekundy, a następnie normalnie; (wstępnie ustawiony na tryb 4°C).
- Gdy wystąpi błąd, jego kod będzie wyświetlany (ekran będzie cyklicznie przełączał wyświetlane parametry). W trybie normalnym zamiast kodu błędu wyświetlany jest ustawiony tryb lodówki.
- W normalnych okolicznościach ustawienie zacznie obowiązywać po 15 sekundach bez naciskania przycisku.

Blokowanie i odblokowanie

- Naciśnij i przytrzymaj przez 3 sekundy, aby odblokować, dioda LED zacznie migać, wskazując, że odblokowanie się powiodło, a blokada zostanie automatycznie zablokowana po 15 sekundach w przypadku braku naciśnięcia przycisku.

UWAGA

Panel sterowania może wyglądać nieco inaczej w zależności od modelu.

PL

Instrukcja obsługi

Ustawianie trybu pracy

- Naciśnij raz przycisk SETTING, aby zmienić ustawienie temperatury.
- Wyreguluj tryb na: LED 4 - > LED 3 - > LED 2 - > LED 1 - > LED 4

Tryb szybkiego chłodzenia

Uruchamianie:

- Naciśnij przycisk regulacji temperatury, aby zaświecić diodę LED 1.

Tryb pracy:

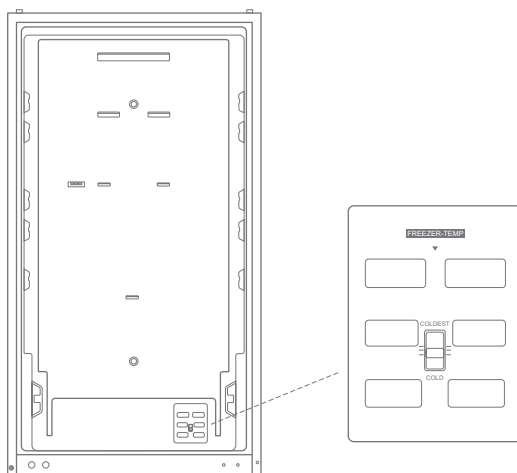
- Sprężarka pracuje z maksymalną prędkością w temperaturze otoczenia.
- Wentylator pracuje z bieżącą prędkością -1 biegu (priorytet jest niższy niż przeciążenie).
- Urządzenie powinno pracować zgodnie z punktem rozpoczęcia/zatrzymania 2-stopniowego biegu szybkiego chłodzenia i nie powinno być rozmrażane w trybie szybkiego zamrażania (z wyjątkiem rozmrażania przy włączonym zasilaniu).
- Rozmrażanie po zakończeniu szybkiego chłodzenia.

Anulowanie trybu:

- Ustaw temperaturę, aby wyłączyć tryb szybkiego chłodzenia.
- Wyjście po 16 godzinach pracy w trybie szybkiego chłodzenia.

Regulacja przepustnicy kanału powietrza

Po przestawieniu suwaka przepustnicy powietrza do góry temperatura wewnątrz zamrażarki spadnie; przestawienie suwaka przepustnicy powietrza na dół spowoduje wzrost temperatury w zamrażarce.



Kod błędu

- Poniższe ostrzeżenia, które pojawiają się na wyświetlaczu oznaczają błędy lodówki. Wystąpienie błędu nie zawsze oznacza utratę funkcji chłodzenia lub zamrażania, mimo to należy zawsze skontaktować się z serwisem, aby zapewnić prawidłową pracę urządzenia.

Kod błędu	Opis błędu
Dioda LED 1 i LED 2 migają	Awaria czujnika temperatury chłodziarki
Dioda LED 1 i LED 3 migają	Awaria czujnika odszraniania zamrażarki
Dioda LED 1 i LED 4 migają	Usterka czujnika temperatury otoczenia

Porady dotyczące przechowywania żywności

Komora zamrażarki

- Zamrażarka jest przeznaczona do przechowywania żywności w bardzo niskiej temperaturze, długoterminowego przechowywania zamrożonej żywności i wytwarzania kostek lodu.
- Na półkach na drzwiach zamrażarki należy przechowywać tylko zamrożoną żywność. Nie wolno ich używać do przechowywania gorącej żywności, która ma być zamrożona.
- Nie umieszczać świeżej i zamrożonej żywności obok siebie. Może to spowodować rozmrożenie zamrożonej żywności.
- Przed zamrożeniem świeżej żywności (takiej jak mięso, ryby lub mięso rozdrobnione) należy je podzielić na części, które będą zużywane na raz.
- Przechowywanie zamrożonej żywności: instrukcje są zwykle podawane na opakowaniach. Należy ich przestrzegać podczas przechowywania. Jeżeli na opakowaniu nie ma żadnych instrukcji, takiego rodzaju żywności nie należy przechowywać dłużej niż trzy miesiące od daty zakupu.
- W przypadku kupowania mrożonej żywności należy upewnić się, że była zamrożona w odpowiedniej temperaturze, a jej opakowanie nie jest uszkodzone.
- Zamrożoną żywność należy przechowywać w odpowiednich opakowaniach, aby zachować ich jakość. Po zakupie należy ją jak najszybciej umieścić w zamrażarce.
- Jeżeli na opakowaniu zamrożonej żywności widać wilgoć lub wybrzuszenia, prawdopodobnie żywność była przechowywana w niewłaściwej temperaturze i jej zawartość jest zepsuta.
- Okres przechowywania zamrożonej żywności zależy od temperatury otoczenia, ustawienia termostatu, częstości otwierania drzwi zamrażarki, rodzaju żywności i czasu transportu produktu od sklepu do gospodarstwa domowego. Zawsze przestrzegać instrukcji umieszczonych na opakowaniu i nigdy nie przekraczać maksymalnego czasu przechowywania podanego na opakowaniu.

Komora chłodząca

- Aby ograniczyć ilość wilgoci i gromadzącego się lodu, nigdy nie należy wkładać płynów do lodówki w niezamkniętych pojemnikach. Lód gromadzi się zwykle w najchłodniejszych częściach parownika. Przechowywanie płynów w niezamkniętych pojemnikach będzie wpływać na częstość rozmrażania.
- Nigdy nie wkładać gorącej żywności do lodówki. Najpierw należy ochłodzić ją w temperaturze pokojowej, a dopiero potem włożyć, tak aby zapewnić odpowiedni obieg powietrza w lodówce.
- Żywność lub pojemniki na żywność nie powinny dotykać tylnej ściany lodówki, ponieważ mogą do niej przymarznąć. Nie otwierać często drzwi lodówki.
- Mięso i oczyszczone ryby (zapakowane w pojemniki lub folię z tworzywa) można przechowywać w lodówce przez 1-2 dni.
- Owoce i warzywa można umieszczać bez opakowania w miejscach przeznaczonych na świeże owoce i warzywa.

ATTENTION

Optymalne ustawienie temperatury każdej komory zależy od temperatury otoczenia. Powyższa temperatura optymalna została podana dla temperatury otoczenia wynoszącej 25°C.

Lp.	Rodzaj komory	Docelowa temp. przechowywania [°C]	Odpowiednia żywność
1	Lodówka	$+2 \leq x \leq +8$	Jajka, ugotowana żywność, żywność pakowana, owoce i warzywa, produkty mleczne, ciasta, napoje i inna żywność, której nie można mrozić.
2	 Klasyfikacja zamrożenia – cztery gwiazdki	$x \leq -18$	Możliwość zamrażania i duża szybkość zamrażania pozwala na szybkie zamrożenia i przechowywanie żywności. Nadaje się do mrożonej świeżej żywności, takiej jak owoce morza (ryby, krewetki, skorupiaki), produkty ze słodkowodnych organizmów wodnych i produkty mięsne. Zalecany okres przechowywania 3-6 miesięcy, im dłuższy czas przechowywania, tym gorszy smak i wartości odżywcze.
3	 Klasyfikacja zamrożenia – trzy gwiazdki	$x \leq -18$	Możliwość zamrażania. Nadaje się do mrożonej świeżej żywności, takiej jak owoce morza (ryby, krewetki, skorupiaki), produkty ze słodkowodnych organizmów wodnych i produkty mięsne. Zalecany okres przechowywania nie dłuższy niż 3 miesiące.
4	 Klasyfikacja zamrożenia – dwie gwiazdki	$x \leq -12$	Nadaje się tylko do średnioterminowego przechowywania już zamrożonej żywności, np. lodów. Zalecany okres przechowywania nie dłuższy niż 1 miesiąc.
5	 Klasyfikacja zamrożenia – jedna gwiazdka	$x \leq -6$	Nadaje się tylko do chłodzenia i krótkotrwałego przechowywania niewielkich ilości już zamrożonej żywności. Zalecany okres przechowywania nie dłuższy niż 1 tydzień.
6	Zero gwiazdek	$-6 \leq x \leq 0$	Świeża wieprzowina, wołowina, ryby, kurczak, wybrana pakowana żywność przetworzona itd. (zaleca się spożycie w ciągu kilku dni; najlepiej przechowywać nie dłużej niż trzy dni). Częściowo pakowana próżniowo żywność przetworzona (potrawy nie nadające się do mrożenia).
7	Chłodziarka	$-2 \leq x \leq +3$	Świeża/mrożona wieprzowina, wołowina, kurczak, ryby słodkowodne itd. (siedem dni w temperaturze poniżej 0°C; w przypadku temperatury powyżej 0°C zaleca się spożycie tego samego dnia, najlepiej przechowywać nie dłużej niż dwa dni). Owoce morza (od 0 do 15 dni, przy czym nie zaleca się przechowywania w temperaturze powyżej 0°C).
8	Świeża żywność	$0 \leq x \leq +4$	Świeża wieprzowina, wołowina, ryby, kurczak, ugotowana żywność itd. (Zaleca się spożycie w ciągu kilku dni; najlepiej przechowywać nie dłużej niż trzy dni)
9	Wino	$+5 \leq x \leq +20$	Czerwone wino, białe wino, wino musujące itd.

PL

● ATTENTION

Różne rodzaje żywności należy przechowywać w odpowiednich komorach lub temperaturze przechowywania.

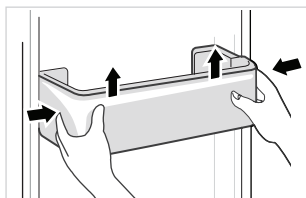
CZYSZCZENIE I KONSERWACJA

Odszranianie

- Lodówka działa na zasadzie chłodzenia powietrzem, dlatego posiada funkcję automatycznego rozmrażania. Lód gromadzący się z powodu zmiany warunków otoczenia lub temperatury można usunąć ręcznie, odłączając urządzenie od zasilania lub poprzez przetarcie suchym ręcznikiem.

Czyszczenie balkoników drzwiowych

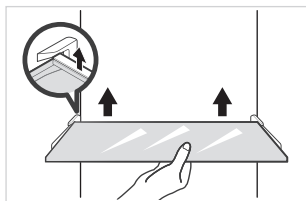
- Ścisnąć obiema dłońmi balkonik w kierunku wskazanym na poniższym obrazku przez strzałki i pchnąć go do góry, aby go wyjąć.
- Po umyciu wyjętego balkonika można umieścić go na dowolnej wysokości.



PL

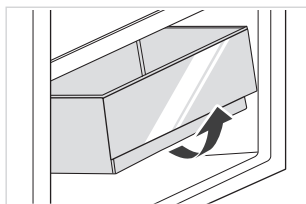
Czyszczenie szklanych półek

- W tylnej części półki znajduje się wypust blokujący dlatego, aby wyjąć półkę, należy ją unieść.
- Wyczyścić i wyregulować półki zgodnie z zapotrzebowaniem.



Czyszczenie szuflady na owoce i warzywa

1. Wyjąć wszystkie produkty z szuflady. Chwycić za rączkę szuflady na owoce i warzywa, a następnie wyciągnąć ją do oporu.
2. Unieść szufladę w górę, a następnie wyciągnąć ją z lodówki.



● ATTENTION

Do czyszczenia należy używać miękkich ręczników lub gąbki zwilżonej wodą z nieżrącym, neutralnym detergentem. Zamrażarkę należy na koniec wyczyścić czystą wodą i wysuszyć szmatką. Przed włączeniem zasilania otworzyć drzwi, aby urządzenie wyschło. Do czyszczenia chłodziarki nie używać twardych szczotek, wełny stalowej, szczotek drucianych, środków ściernych (takich jak pasta do zębów), rozpuszczalników organicznych (takich jak alkohol, aceton, olej z bananów itp.), wrzącej wody, środków kwasowych lub zasadowych, gdyż mogą one uszkodzić wewnętrzne lub zewnętrzne powierzchnie lodówki.

ROZWIĄZYWANIE PROBLEMÓW

Poniższe proste w rozwiązaniu problemy użytkownik może usunąć samodzielnie. Jeśli problemy nie zostaną rozwiązane, należy skontaktować się z działem serwisu posprzedażowego.

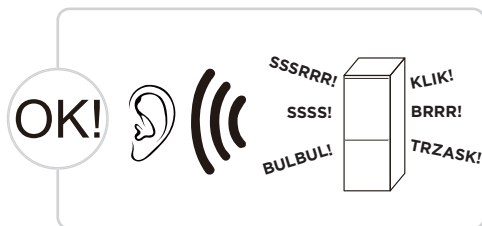
Problem	Prawdopodobna przyczyna
Nie działa	• Sprawdzić, czy urządzenie jest podłączone do zasilania oraz czy wtyczka jest poprawnie podłączona
	• Sprawdzić, czy napięcie jest odpowiednio wysokie
	• Sprawdzić, czy zasilanie działa lub czy nie doszło do wyłączenia obwodu zasilającego
Nieprzyjemna woń	• Żywność wydzielającą intensywną woń należy szczelnie opakować
	• Sprawdzić, czy żywność zepsuła się
	• Wyczyścić wnętrze lodówki
Przedłużająca się praca sprężarki	• Długa praca lodówki jest zjawiskiem normalnym w lecie, kiedy występują wysokie temperatury
	• Nie zaleca się przechowywania dużej ilości żywności
	• Żywność należy wystudzić przed umieszczeniem jej w lodówce
	• Drzwi otwierane są zbyt często
Oświetlenie nie włącza się	• Sprawdzić, czy urządzenie jest podłączone do źródła zasilania i czy źródło światła jest sprawne
	• Zlecić wymianę źródła światła specjalście
Nie można prawidłowo zamknąć drzwi	• Drzwi blokowane są przez umieszczoną żywność
	• Lodówka jest przechylona.
Głośne hałasy	• Sprawdzić, czy posadzka jest równa i czy lodówka stoi stabilnie
	• Sprawdzić, czy akcesoria znajdują się na swoich miejscach

PL

Problem	Prawdopodobna przyczyna
Uszczelka drzwi jest rozciągnięta	<ul style="list-style-type: none"> • Usunąć ciała obce znajdujące się na uszczelce • Podgrzać uszczelkę drzwi i schłodzić ją, aby przywrócić jej kształt (użyć suszarki elektrycznej lub gorącego ręcznika)
Przelewanie się wody w zbiorniku	<ul style="list-style-type: none"> • W komorze znajduje się zbyt dużo żywności lub żywność zawiera zbyt dużo wody co skutkuje intensywnym odszranianiem • Drzwi nie są poprawnie zamknięte, co powoduje powstawanie szronu pod wpływem przedostawania się do wnętrza ciepłego powietrza. Roztapianie szronu skutkuje pojawianiem się nadmiernej ilości wody
Ciepła obudowa	<ul style="list-style-type: none"> • Odprowadzanie ciepła wbudowanego skraplacza przez obudowę; jest to zjawisko normalne. Gdy obudowa rozgrzewa się do wysokich temperatur z powodu wysokiej temperatury otoczenia, umieszczenia zbyt dużej ilości żywności lub wyłączenia się sprężarki, należy zapewnić odpowiednią wentylację, która umożliwi odprowadzenie ciepła
Skraplanie się wody na powierzchni	<ul style="list-style-type: none"> • Skroplenie się wody na powierzchni zewnętrznej i uszczelkach drzwi jest zjawiskiem normalnym, gdy wilgotność powietrza jest wysoka. Skroploną wodę można wytrzeć czystym ręcznikiem.
Niestandardowe odgłosy	<ul style="list-style-type: none"> • Brzęczenie: Pracująca sprężarka może brzęczeć zwłaszcza podczas uruchamiania i wyłączenia się. Jest to zjawisko normalne. • Trzaski: Chłodziwo krążące w urządzeniu może wydawać dźwięki przypominające trzaski. Jest to zjawisko normalne.

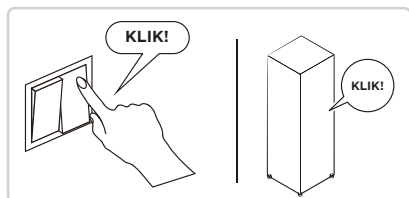
PL

Czy słysząc jeden z następujących dźwięków? Zwykle te dźwięki nie oznaczają usterki.

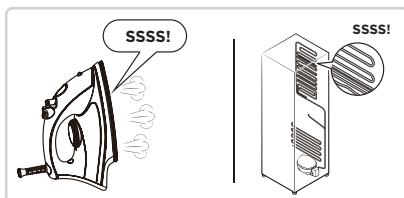


KLIK!: niektóre podzespoły elektryczne lodówki, takie jak zawory elektryczne, wydają te dźwięki podczas swojej pracy. Jest to zjawisko normalne.

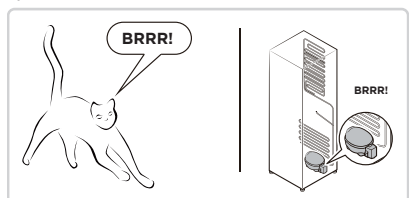
SSSS!: taki dźwięk można usłyszeć, gdy czynnik chłodniczy przepływa przez parownik. Jest to zjawisko normalne.



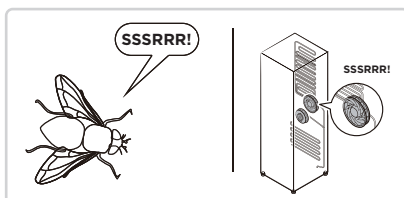
BRRR!: sprężarka będzie wydawać tego rodzaju dźwięk podczas pracy; brzęczenie jest szczególnie głośne podczas uruchamiania i wyłączenia się. Jest to zjawisko normalne.



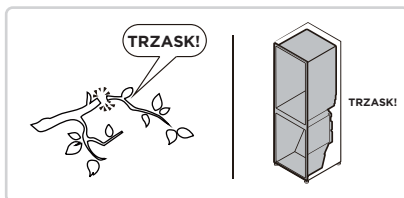
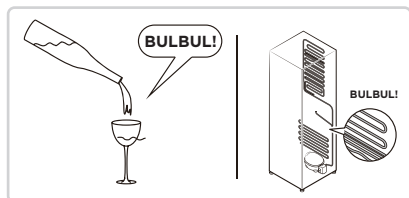
SSSRRR!: taki dźwięk może wydawać z siebie silnik wentylatora, gdy lodówka pracuje w trybie No frost. Jest to zjawisko normalne.



BULBUL!: tego rodzaju dźwięk powoduje przepływ czynnika chłodniczego przez rurki układu chłodzenia lodówki. Jest to zjawisko normalne.



TRZASK!: dźwięki trzaskania lub pękającego lodu wynikają z konstrukcji lodówki i powodowane są przez zjawisko rozszerzalności cieplnej i kurczenia się pod wpływem niskiej temperatury - jest to zjawisko całkowicie normalne.



DODATEK

Wymagania dotyczące nowych standardów Europejskich

Części zamawiane z poniższej tabeli można uzyskać za pośrednictwem kanału serwisowego

Zamówiona część	Dostarczana przez	Minimalny wymagany czas dostępności
Termostaty	Profesjonalny personel serwisowy	Przynajmniej 7 lat od wprowadzenia na rynek ostatniego modelu
Czujniki temperatury	Profesjonalny personel serwisowy	Przynajmniej 7 lat od wprowadzenia na rynek ostatniego modelu
Płytki drukowane	Profesjonalny personel serwisowy	Przynajmniej 7 lat od wprowadzenia na rynek ostatniego modelu
Źródła światła	Profesjonalny personel serwisowy	Przynajmniej 7 lat od wprowadzenia na rynek ostatniego modelu
Uchwyty drzwi	Profesjonalne serwisy i użytkownicy końcowi	Przynajmniej 7 lat od wprowadzenia na rynek ostatniego modelu
Zawiasy drzwi	Profesjonalne serwisy i użytkownicy końcowi	Przynajmniej 7 lat od wprowadzenia na rynek ostatniego modelu
Tace	Profesjonalne serwisy i użytkownicy końcowi	Przynajmniej 7 lat od wprowadzenia na rynek ostatniego modelu
Kosze	Profesjonalne serwisy i użytkownicy końcowi	Przynajmniej 7 lat od wprowadzenia na rynek ostatniego modelu
Uszczelki drzwi	Profesjonalne serwisy i użytkownicy końcowi	Przynajmniej 10 lat od wprowadzenia na rynek ostatniego modelu

Drogi kliencie,

1. W razie chęci zwrotu lub wymiany produktu należy się skontaktować z punktem zakupu.
(Należy pamiętać o dostarczeniu paragonu zakupu)
2. W razie awarii urządzenia należy się skontaktować z działem obsługi klienta.

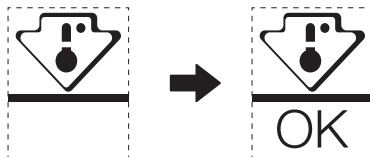
UWAGA

Informacje o modelu dostępne w bazie danych oraz identyfikator modelu można znaleźć na stronie internetowej, której adres można uzyskać, skanując kod QR (jeśli jest dostępny) znajdujący się na etykiecie wydajności energetycznej urządzenia.
Aby dowiedzieć się więcej na temat wydajności energetycznej urządzenia, należy przejść do strony <https://ec.europa.eu> i wyszukać nazwę modelu urządzenia.
Nazwę modelu znaleźć można na etykiecie znamionowej urządzenia.

Najzimniejsza strefa w lodówce

OPCJONALNE: wskaźnik OK temperatury

- Za pomocą wskaźnika OK temperatury można określić temperaturę poniżej +4°C. Stopniowo obniżać temperaturę, jeśli wskazanie „OK” nie jest wyświetlane.



- Aby zapewnić właściwą temperaturę w tej przestrzeni, nie zmieniać położenia półki. Lodówki z wymuszonym obiegiem powietrza (wyposażone w wentylator lub modele No Frost) nie posiadają oznaczenia najzimniejszej strefy, ponieważ panuje w nich równomierna temperatura.

Wskaźnik ustawionej temperatury

- Lodówka została wyposażona we wskaźnik ustawionej temperatury, który pomaga wybrać właściwe ustawienie i monitoruje średnią temperaturę w najzimniejszej strefie.
- **OSTRZEŻENIE:** wskaźnik może być stosowany wyłącznie w konkretnej lodówce, nie można go umieścić w innej lodówce (strefy najniższej temperatury różnią się między sobą) ani stosować do innych celów.

Sprawdzanie temperatury w najzimniejszej strefie

- Wskaźnik temperatury ułatwia regularne sprawdzanie, czy temperatura w najzimniejszej strefie jest właściwa. Na temperaturę wewnątrz lodówki wpływa wiele czynników, takich jak temperatura otoczenia, ilość umieszczonej żywności oraz częstotliwość otwierania drzwi. Konfigurując urządzenie, należy wziąć te czynniki pod uwagę.
- Gdy wskaźnik wyświetla komunikat «OK», oznacza to właściwe ustawienie termostatu i osiągnięcie pożądanej temperatury wewnętrznej.
- Gdy wskaźnik temperatury zmienia kolor na BIAŁY, oznacza to, że temperatura jest zbyt wysoka; w takiej sytuacji należy zwiększyć wartość ustawienia temperatury w lodówce i poczekać 12 godzin przed ponownym sprawdzeniu wizualnym. Chwilę po dołożeniu świeżej żywności lub pozostawieniu otwartych drzwi wskaźnik temperatury może zmienić kolor na BIAŁY.

PATEICĪBAS VĒSTULE

Paldies, ka izvēlējāties Midea! Pirms sava jaunā Midea izstrādājuma lietošanas, lūdzu, uzmanīgi izlasiet šo rokasgrāmatu, lai gūtu pārlicību, ka protat drošā veidā izmantot savas jaunās ierīces piedāvātās iespējas un funkcijas.

SATURS

PATEICĪBAS VĒSTULE	01
SPECIFIKĀCIJAS	02
IZSTRĀDĀJUMA PĀRSKATS	03
PRODUKTA UZSTĀDĪŠANA	05
LIETOŠANAS INSTRUKCIJAS	13
TĪRĪŠANA UN APKOPE	18
TRAUCĒJUMMEKLĒŠANA	19
PIELIKUMS	22

SPECIFIKĀCIJAS

Produkta modelis	MDRB548MME*
Nominālais spriegums/Frekvence	220-240 V-/50 Hz
Nominālstrāva	1,4 A
Kopējais tilpums	401 l
Svaigu pārtikas produktu uzglabāšanas nodalījuma tilpums	271 l
Četru zvaigžņu nodalījuma tilpums	130 l
Saldēšanas jauda	8,0 kg/24 h
Temperatūras kāpuma ilgums	8 h
Kopējie izmēri (P x Dz x A)	595 x 670 x 1860 mm

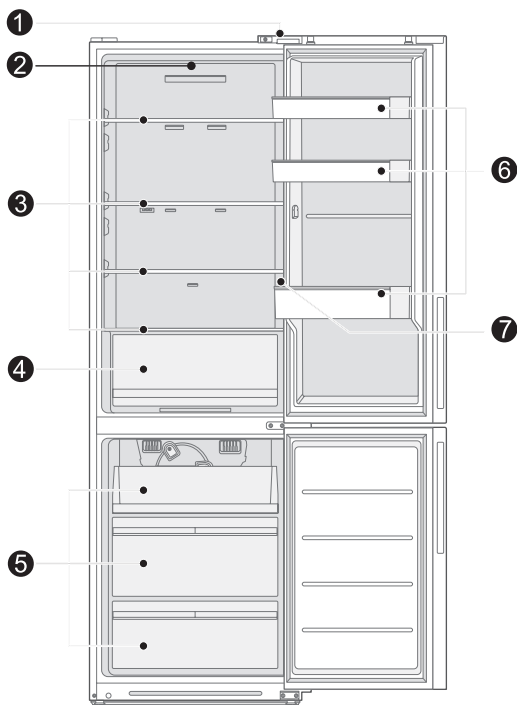
Produkta modelis	MDRB600MME*
Nominālais spriegums/Frekvence	220-240 V-/50 Hz
Nominālstrāva	1,4 A
Kopējais tilpums	443 l
Svaigu pārtikas produktu uzglabāšanas nodalījuma tilpums	313 l
Četru zvaigžņu nodalījuma tilpums	130 l
Saldēšanas jauda	8,0 kg/24 h
Temperatūras kāpuma ilgums	8 h
Kopējie izmēri (P x Dz x A)	595 x 670 x 2010 mm

LV

IZSTRĀDĀJUMA PĀRSKATS

Komponentu nosaukumi

MDRB548MME*



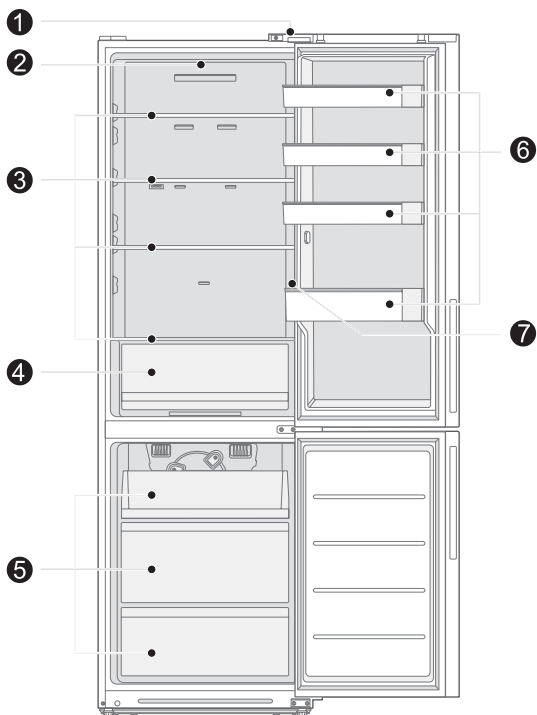
- | | | | |
|---|-------------------------|---|-----------------|
| 1 | Durvju slēdzis | 5 | Atvilktnē |
| 2 | Gaismas diode | 6 | Durvju plaukts |
| 3 | Plaukts | 7 | Vadības panelis |
| 4 | Augļu un dārzenju kaste | | |

UZMANĪBU

Augstāk redzamais attēls ir tikai atsaucei. Faktiskā konfigurācija ir atkarīga no fiziskā izstrādājuma vai izplatītāja paziņojuma.

LV

MDRB600MME*



- | | | | |
|---|------------------------|---|-----------------|
| 1 | Durvju slēdzis | 5 | Atvilktne |
| 2 | Gaismas diode | 6 | Durvju plaukts |
| 3 | Plaukts | 7 | Vadības panelis |
| 4 | Augļu un dārzeņu kaste | | |

UZMANĪBU

Augstāk redzamais attēls ir tikai atsaucei. Faktiskā konfigurācija ir atkarīga no fiziskā izstrādājuma vai izplatītāja paziņojuma.

PRODUKTA UZSTĀDĪŠANA

Uzstādīšanas instrukcija

Aukstumiekārtām ar klimata klasi

- Atkarībā no klimata klases šī aukstumiekārta ir paredzēta lietošanai apkārtējās vides temperatūras diapazonā, kā norādīts sekojošajā tabulā.
- Klimata klase ir atrodama uz datu plāksnītes. Produkts var darboties nepareizi, ja temperatūra ir ārpus noteiktā diapazona.
- Klimata klase ir norādīta uz produkta etiķetes.

Efektīvās temperatūras diapazons

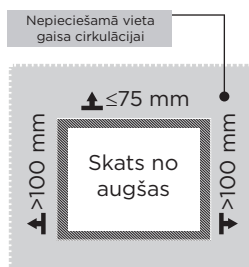
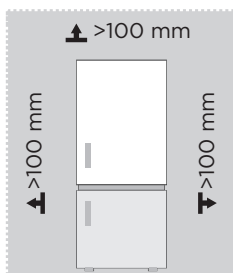
- Dzesētājs ir paredzēts normālai darbībai temperatūru diapazonā, ko nosaka tā klases vērtējums.

Klase	Simbols	Apkārtējās vides temperatūras diapazons °C	
		IEC 62552 (ISO 15502)	ISO 8561
Paplašināts mērens	SN	+10 līdz +32	+10 līdz +32
Mērens	N	+16 līdz +32	+16 līdz +32
Subtropu	ST	+16 līdz +38	+18 līdz +38
Tropu	T	+16 līdz +43	+18 līdz +43

LV

Izmēri un attālumi

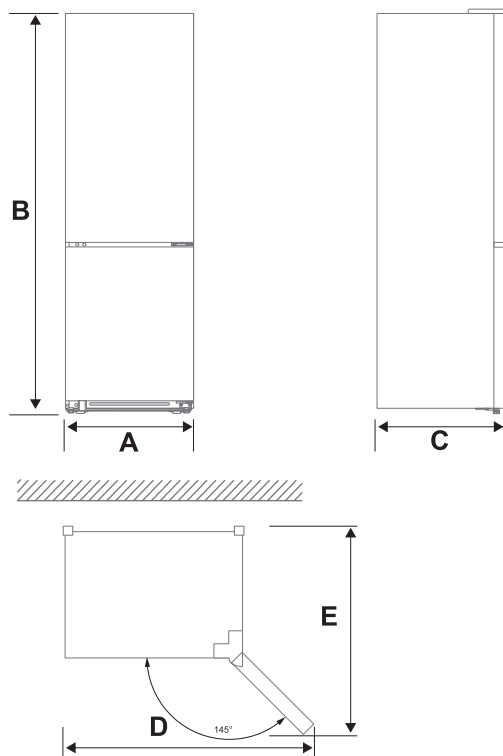
- Nodrošiniet gaisa cirkulāciju ap skapi. Uzstādot ierīci, abās pusēs atstājiet 10 cm brīvu vietu, 10 cm virs ierīces un ne vairāk kā 7,5 cm ierīces aizmugurē.



ATTENTION

Augstāk redzamais attēls ir tikai atsaucei. Faktiskā konfigurācija ir atkarīga no fiziskā izstrādājuma vai izplatītāja paziņojuma.

Nepieciešamās vietas diagramma (kad durvis ir atvērtas un kad durvis ir aizvērtas)



LV

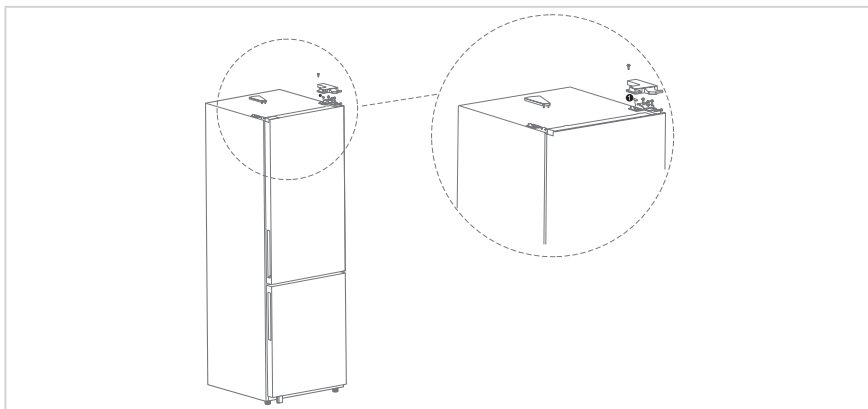
Modelis	Platums	Kopējais augstums	Dziļums	Platums ar durvīm atvērtām 145° leņķī	Dziļums ar durvīm atvērtām 145° leņķī
	A	B	C	D	E
MDRB548MME*	595	1860	670	960	1070
MDRB600MME*	595	2010	670	960	1070

Ņemiet vērā: Visi izmēri mm

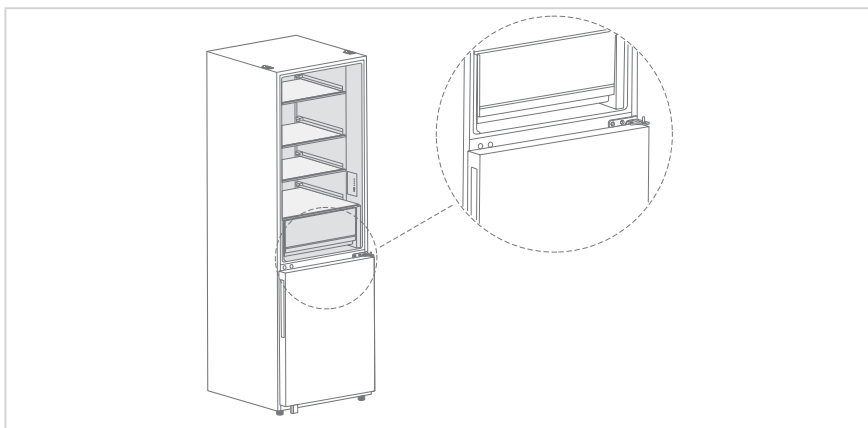
Durvju vēršanas virziena maiņa

Ņemot vērā vietu, kur plānojat izmantot savu ledusskapi, iespējams, ērtāk būs mainīt durvju pozīciju.

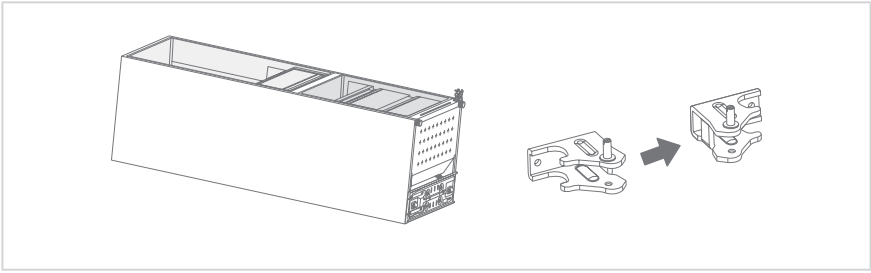
1. Izņemiet priekšmetus no durvju korpusa.
2. Noņemiet augšējo kreisās eņģes pārsega dekoratīvo pārsegu, augšējo labās eņģes pārsegu, augšējo labo eņģi, atvienojiet signāla līniju ledusskapija korpusa augšējā labajā pusē (1 signāla līnija).



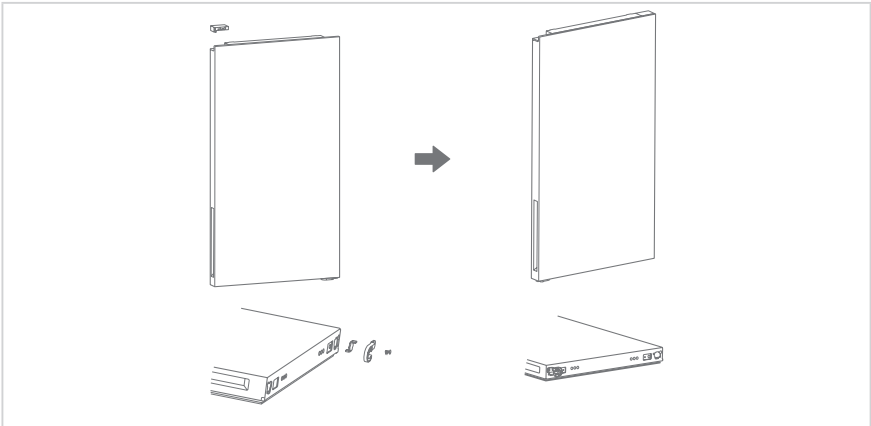
3. Noņemiet dzesēšanas nodalījuma durvju korpusu (pievēršiet uzmanību, lai nepazaudētu sīkas detaļas, piemēram, durvju apturētājus); Izņemiet vidējo eņģi rezerves lietošanai un noņemiet eņģes atveres dekoratīvo pārsegu, uznavu un skrūves otrā pusē.



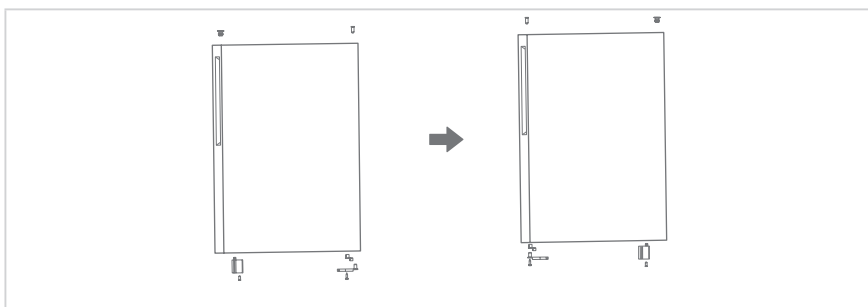
4. Noņemiet saldēšanas nodalījuma durvju korpusu (uzmanieties, lai nepazaudētu sīkas detaļas, piemēram, vārpstas uznavas un durvju apturētājus); Noņemiet apakšējo eņģi, noņemiet apakšējo eņģes vārpstu un uzstādiat to otrā eņģes pusē, noņemiet apakšējo eņģi, noņemiet apakšējo eņģes vārpstu un uzstādiat to otrā eņģes pusē rezerves lietošanai.



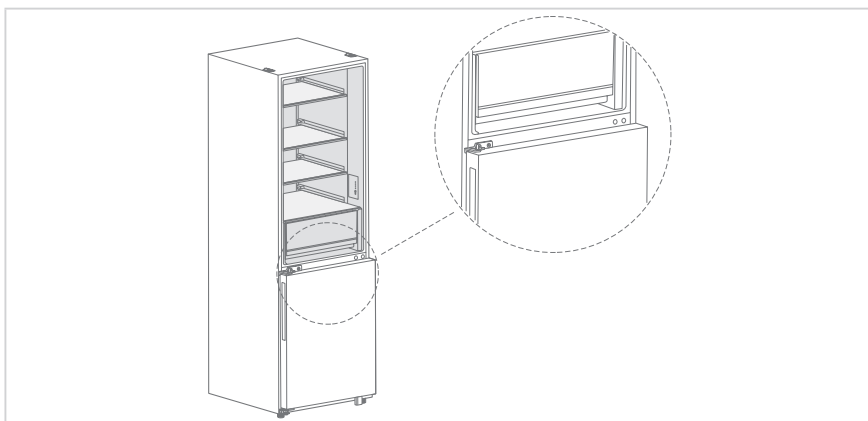
5. Dzesēšanas nodalījuma durvju nomainīšana; Noņemiet kreiso dekoratīvo pārsegu, izņemiet labo dekoratīvo pārsegu no piederumu iepakojuma un uzstādiet to augšējā gala pārsega otrā pusē; noņemiet saldēšanas nodalījuma durvju pašbloķētāju, durvju apturētāju, izņemiet kreiso durvju pašbloķētāju no piederumu iepakojuma un pēc kārtas uzstādiet durvju apturētāju un kreiso durvju pašbloķētāju apakšējā gala pārsega kreisajā pusē.



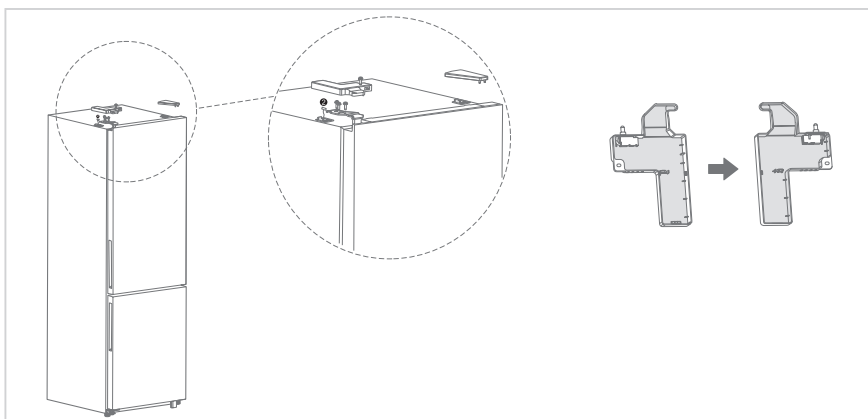
6. Saldētavas durvju slēdzis; Noņemiet saldētavas durvju augšējā gala uzstavu un uzstādiet uzstavu kreisajā un labajā savstarpēji maināmajās pozīcijās; Noņemiet saldētavas durvju pašbloķētāju, durvju apturētāju un durvju balstu, izņemiet kreisās puses durvju pašbloķētāju no piederumu iepakojuma, pēc kārtas uzstādiet durvju apturētāju un kreisās puses durvju pašbloķētāju saldētavas apakšējā gala pārsega kreisajā pusē un uzstādiet durvju balstu saldētavas apakšējā gala pārsega labajā pusē.



7. Uztādiat vidējo eņģi un uzstādiat dzesēšanas nodalījuma durvis uz vidējās eņģes, tad uzstādiat apakšējo eņģi un eņģes atveres dekoratīvo pārsegu.



8. Izņemiet kreisās augšējās eņģes pārsegu no piederumu iepakojuma, kreiso augšējo eņģi, noņemiet slēdzi, kas uzstādīts uz labās eņģes pārsega, un uzstādiat to uz kreisās augšējās eņģes pārsega; novietojiet dzesēšanas nodalījuma durvju korpusu uz vidējās eņģes un uzstādiat kreiso augšējo eņģi pievienojiet augšējo signāla līniju ❷ ledusskapja kreisajā pusē un slēdzi uz kreisās eņģes pārsega, nosedziet un nostipriniet kreisās eņģes pārsegu un, visbeidzot, uzstādiat eņģes pārsega dekoratīvo pārsegu ledusskapja korpusa labajā pusē.



● ATTENTION

Tehnisku izmaiņu un dažādu modeļu dēļ dažas no ilustrācijām šajā rokasgrāmatā var atšķirties no jūsu modeļa.

- Pārļiecinieties, vai ledusskapis ir atvienots no strāvas un ir tukšs.
- Nodrošiniet, lai kāds jums palīdzētu šajā procesā.
- Saglabājiet visas noņemtās daļas, lai tās vēlāk izmantotu atkārtoti.



Līmeņošanas balsti

Lai izvairītos no vibrācijas, ierīce ir jālīmeņo.

Ja nepieciešams, noregulējiet līmeņošanas skrūves, lai kompensētu grīdas nelīdzenumu.

Priekšpusei jābūt nedaudz augstākai par aizmuguri, lai palīdzētu aizvērt durvis.

Līmeņošanas skrūves var viegli pagriezt, nedaudz pagriežot ledusskapi.

Pagrieziet līmeņošanas skrūves pretēji pulksteņrādītāju kustības virzienam , lai paceltu ierīci, vai pulksteņrādītāju kustības virzienā , lai to nolaistu.

Ierīces pārvietošana

1. Izņemiet no ierīces visu pārtiku.
2. Atvienojiet strāvas kontaktdakšu, ievietojiet un piestipriniet to strāvas kontaktdakšas āķī ierīces aizmugurē vai augšpusē.
3. Pielīmējiet detaļas, piemēram, plauktus un durvju rokturi, lai ierīces pārvietošanas laikā tie nenokristu.
4. Uzmanīgi pārvietojiet ierīci ar vairāk nekā diviem palīgiem. Pārvadājot ierīci lielos attālumos, turiet ierīci vertikāli.
5. Pēc ierīces uzstādīšanas pievienojiet strāvas kontaktdakšu kontaktligzdai, lai ieslēgtu ierīci.

ATTENTION

Piesardzības pasākumi pirms lietošanas:

Pirms jebkādu izmaiņu veikšanas ledusskapis ir jāatvieno no strāvas padeves.

Veiciet piesardzības pasākumus, lai novērstu jebkādas traumas.

Lampiņas maiņa

- Jebkāda LED lampiņu nomainīšana vai apkope ir jāveic ražotājam, tā servisa pārstāvim vai līdzīgi kvalificētai personai.

ATTENTION

Šis izstrādājums satur energoefektivitātes (G) klases gaismas avotu.

Ierīces pievienošana

Pēc ierīces uzstādīšanas pievienojiet strāvas kontaktdakšu kontaktligzdai.

ATTENTION

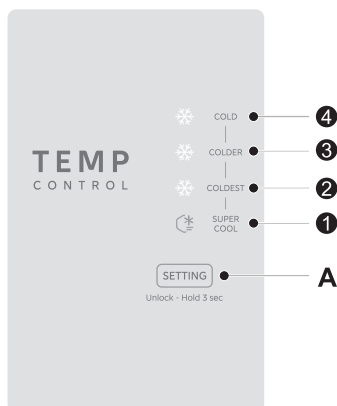
Pēc barošanas vada (vai kontaktdakšas) pievienošanas kontaktligzdai uzgaidiet 2 vai 3 stundas, pirms ievietojat produktus ierīcē. Ievietojot produktus pirms ierīces pilnīgas atdzišanas, produkti var sabojāties.

Padomi enerģijas taupīšanai

- Nenovietojiet ierīci blakus plītim, radiatoriem un citiem karstuma avotiem. Ja apkārtnes temperatūra ir augsta, kompresors darbosies biežāk un ilgāk, radot lielāku enerģijas patēriņu.
- Nodrošiniet pietiekamu ventilāciju pie ierīces pamatnes, tās sānos un aizmugurē. Nekad nenosedziet ventilācijas atveres.
- Lūdzu, ievērojiet arī nodaļā "Uzstādīšana" norādītos atstarpju izmērus.
- Atvilktnu un plauktu izkārtojums, kā parādīts ilustrācijā, piedāvā efektīvāko enerģijas izmantošanu un tāpēc ieteicams to izmantot, cik iespējams. Visām atvilktnēm un plauktiem ir jāatrodas ierīcē, lai uzturētu stabilu temperatūru un taupītu enerģiju.
- Lai iegūtu lielāku uzglabāšanas vietu (piem., lielām atdzesētām/saldētām precēm), vidējās atvilktnes var izņemt. Augšējās un apakšējās atvilktnes un plaukti ir jāizņem pēdējie, ja nepieciešams.
- Vienmērīgi piepildīts ledusskapja/saldētavas nodalījums veicina optimālu enerģijas izmantošanu. Tāpēc izvairieties no tukšiem un pustukšiem nodalījumiem.
- Ļaujiet siltiem produktiem atdzist, pirms ievietojat tos ledusskapī/saldētavā. Produkti, kas ir jau atdzisuši, paaugstina energoefektivitāti.
- Saldētus produktus atkausējiet ledusskapī. Saldētu produktu aukstums samazina enerģijas patēriņu ledusskapja nodalījumā un tādējādi paaugstina energoefektivitāti.
- Lai līdz minimumam samazinātu aukstuma zudumu, atveriet durvis uz iespējami īsu brīdi. Īslaicīga durvju atvēršana un pareiza aizvēršana samazina enerģijas patēriņu.
- Ierīces durvju blīvēm jābūt bez jebkādiem bojājumiem, lai durvis aizvērtu pareizi un enerģija netiktu lieki patērēta.

LIETOŠANAS INSTRUKCIJAS

Vadības panelis



Poga

A Temperatūras iestatīšanas poga

LV

Dispeja ekrāns

1	LED1 (ĪPAŠI VĒSS)
2	LED2 (2 °C/AUKSTĀKAIS)
3	LED3 (4 °C/AUKSTĀKS)
4	LED4 (8 °C/AUKSTS)

Displejs

- Ieslēdzot pirmo reizi, tas tiks pilnīgi rādīts 3 sekundes un pēc tam normāli parādīts; (pirmo reizi iestatīts uz 4 °C).
- Kad notiek kļūme, tiek parādīts kļūmes kods (cikla displeja režīmā). Normālā stāvoklī tiek parādīts ledusskapja iestatījums, nevis kļūmes kods.
- Normālos apstākļos, ja 15 sekundes netiek veiktas darbības ar taustiņiem, iestatījums stājas spēkā.

Bloķēšana un atbloķēšana

- Nospiediet un turiet 3 sekundes, lai atbloķētu, LED mirgo, lai norādītu, ka atbloķēšana ir sekmīga, un bloķēšana notiek automātiski pēc 15 sekundēm, nenospiežot pogu.

UZMANĪBU

Faktiskais vadības panelis var atšķirties atkarībā no modeļa.

Lietošanas instrukcijas

Zobrata iestatījums

- Vienreiz nospiediet SETTING pogu, lai mainītu temperatūras iestatījumu.
- Regulējiet iestatījumus: LED4 - > LED3 - > LED2 - > LED1 - > LED4

Ātrās dzesēšanas režīms

Režīma aktivizēšana:

- Nospiediet temperatūras kontroles taustiņu, lai iedegtos LED1.

Režīma darbība:

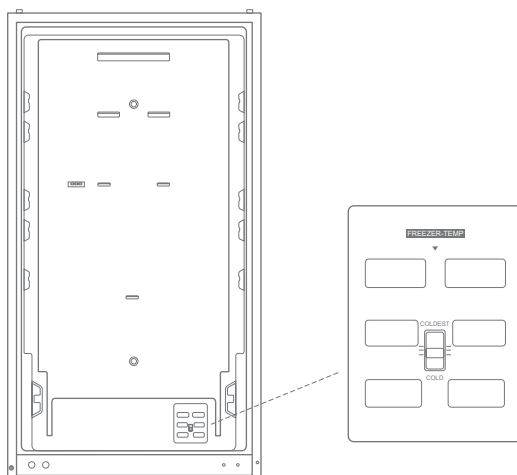
- Kompresors darbojas ar pašreizējās apkārtējās vides temperatūras maksimālo ātrumu.
- Ventilators darbojas ar pašreizējo ātrumu 1 (prioritāte ir zemāka nekā pārslodze).
- Izmantojiet saskaņā ar ātrās dzesēšanas 2 grādu iestatījuma startstopa punktu un neveiciet atkausēšanu ātrās sasaldēšanas laikā (izņemot ieslēgšanas atkausēšanu).
- Atkausēšana vienreiz pēc ātrās dzesēšanas deaktivizēšanas.

Režīma izslēgšana:

- Regulējiet temperatūru, lai izslēgtu ātrās dzesēšanas režīmu.
- Izslēgšana pēc 16 darba stundām ātrās dzesēšanas režīmā.

Gaisa kanāla spārna regulēšana

Pagrieziet gaisa filtra slīdni uz augšu, faktiskā temperatūra saldētavas nodalījumā pazemināsies; pagrieziet gaisa filtra slīdni uz leju, faktiskā temperatūra saldētavas nodalījumā paaugstināsies.



Kļūdas kods

- Norādīto brīdinājumu parādīšanās displejā liecina par attiecīgajām ledusskapja kļūmēm. Lai gan ledusskapim joprojām var darboties dzesēšanas un sasaldēšanas funkcija šādu kļūmju gadījumā, lietotājam jāsaazinās ar apkopes speciālistu, lai veiktu apkopi un nodrošinātu normālu ledusskapja lietošanu.

Kļūmes kods	Kļūmes apraksts
Mirgo LED1 un LED2	Ledusskapja temperatūras sensora kļūme
Mirgo LED1 un LED3	Saldētavas atkausēšanas sensora kļūme
Mirgo LED1 un LED4	Apkārtnes temperatūras sensora kļūmes

Padomi produktu uzglabāšanai

Saldētavas nodaļījums

- Saldētava ir paredzēta ļoti zemā temperatūrā sasaldētu produktu glabāšanai, saldētu produktu ilgtermiņa glabāšanai un ledus gatavošanai.
- Saldētavas durvju plauktos glabājiet tikai saldētus produktus, nevis saldēšanai paredzētus karstus produktus.
- Nenovietojiet svaigus un saldētus produktus blakus. Saldēti produkti var atkust.
- Saldējot svaigus produktus (piemēram, gaļu, zivis vai sasmalcinātu gaļu), sagrieziet to daļās, ko var izlietot vienā reizē.
- Saldētu produktu glabāšana: norādījumi parasti ir sniegti uz iepakojumiem, un tie ir jāievēro. Ja uz iepakojuma nav informācijas, produktus nedrīkst glabāt ilgāk kā trīs mēnešus no pirkuma datuma.
- Iegādājoties saldētus produktus, pārliecinieties, ka tie bijuši sasaldēti atbilstošā temperatūrā un iepakojums nav bojāts.
- Saldēti produkti ir jāuzglabā atbilstošos iepakojumos, lai saglabātu kvalitāti, un iespējami drīz jāievieto atpakaļ saldētavā.
- Ja saldētu produktu iepakojums norāda uz mitrumu vai ir anormāli uzpūties, iespējams, tas ir glabāts nepareizā temperatūrā un saturs ir bojāts.
- Saldētu produktu glabāšanas periods ir atkarīgs no telpas temperatūras, termostata iestatījuma, saldētavas durvju atvēršanas biežuma, produktu veida un tā, cik ātri produkti ir transportēti no veikala uz mājām. Vienmēr ievērojiet uz iepakojuma sniegtos norādījumus un nekad nepārsniedziet uz iepakojuma norādīto maksimālo glabāšanas laiku.

Dzesēšanas nodaļījums

- Lai mazinātu mitrumu un sekojošu ledus veidošanos, nekad neievietojiet ledusskapī šķidrums nenoslēgtos traukos. Sarma parasti koncentrējas iztvaicētāja vēsākajās daļās. Glabājot nenosegtus šķidrumus, biežāk ir nepieciešama atkausēšana.
- Nekad neievietojiet ledusskapī siltus produktus. Tie vispirms ir jāatdzesē līdz istabas temperatūrai un tad jāievieto, nodrošinot pietiekamu gaisa cirkulēšanu ledusskapī.
- Produkti un produktu trauki nedrīkst pieskarties ledusskapja aizmugurējai sienai, jo tie var piesalt pie tās. Neviriniet ledusskapja durvis bieži.
- Gaļu un tīrītas zivis (iesaiņotas iepakojumā vai plastmasas folijā) var ievietot ledusskapī un izlietot 1-2 dienu laikā.
- Augļus un dārzeņus bez iepakojuma var ievietot nodaļījumā, kas paredzēts svaigiem augļiem un dārzeņiem.

ATTENTION

Katra nodaļījuma optimālās temperatūras iestatījums ir atkarīgs no apkārtnes temperatūras. Optimālā temperatūra ir balstīta uz +25 °C apkārtnes temperatūru.

Secība	Nodalījumu TIPS	Mērķa glabāšanas temp. [°C]	Atbilstošā pārtika
1	Ledusskapis	$+2 \leq x \leq +8$	Saldēšanai nav piemērotas olas, vārīti ēdieni, iepakoti ēdieni, augļi un dārzeņi, piena produkti, kūkas, dzērieni un citi pārtikas produkti.
2	 Četrus zvaigžņu vērtējuma saldēšana	$x \leq -18$	Ar saldēšanas jaudu, lielu saldēšanas ātrumu var ātri sasaldēt un uzglabāt pārtikas produktus. Piemērota saldētiem svaigiem pārtikas produktiem, tādiem kā jūras veltes (zivis, garneles, vēzveidīgie), saldūdens ūdens produkti un gaļas produkti. Ieteicama 3 - 6 mēnešus, jo ilgāks uzglabāšanas laiks, jo pasliktinās garša un uzturvērtība.
3	 Trīs zvaigžņu vērtējuma saldēšana	$x \leq -18$	Ar saldēšanas jaudu. Piemērota saldētiem svaigiem pārtikas produktiem, tādiem kā jūras veltes (zivis, garneles, vēzveidīgie), saldūdens ūdens produkti un gaļas produkti. Ieteicama ne ilgāk par 3 mēnešiem.
4	 Divu zvaigžņu vērtējuma saldēšana	$x \leq -12$	Piemērota tikai jau sasaldētas pārtikas, piem., saldējuma, uzglabāšanai vidējā termiņā. Ieteicama ne ilgāk par 1 mēnesi.
5	 Vienas zvaigznes vērtējuma saldēšana	$x \leq -6$	Piemērota tikai dzesēšanai un nelielu daudzumu jau sasaldētas pārtikas īslaicīgai uzglabāšanai. Ieteicama ne ilgāk par 1 nedēļu.
6	0 zvaigznītes	$-6 \leq x \leq 0$	Svaiga cūkgaļa, liellopu gaļa, zivis, vistas gaļa, daži fasēti apstrādāti pārtikas produkti utt. (Ieteicams apēst tās pašas dienas laikā, vēlams ne ilgāk kā 3 dienu laikā). Daļēji fasēti apstrādāti pārtikas produkti (nesasaldējami produkti).
7	Atdzesēšana	$-2 \leq x \leq +3$	Svaiga/saldēta cūkgaļa, liellopu gaļa, vistas gaļa, saldūdens jūras velšu produkti utt. (7 dienas temperatūrā zem 0 °C un virs 0 °C ieteicams lietot uzturā attiecīgās dienas laikā, vēlams ne ilgāk kā 2 dienu laikā). Jūras veltes mazāk par 0 uz 15 dienām, nav ieteicams uzglabāt temperatūrā virs 0 °C.
8	Svaiga pārtika	$0 \leq x \leq +4$	Svaiga cūkgaļa, liellopu gaļa, zivis, vistas gaļa, termiski apstrādāti produkti utt. (Ieteicams apēst vienas dienas laikā, vēlams ne ilgāk kā 3 dienu laikā)
9	Vīns	$+5 \leq x \leq +20$	Sarkanvīns, baltvīns, dzirkstošais vīns utt.

LV

ATTENTION

Iūdzu, uzglabājiem dažādus pārtikas produktus atbilstoši produktu nodalījumiem vai mērķa uzglabāšanas temperatūrai.

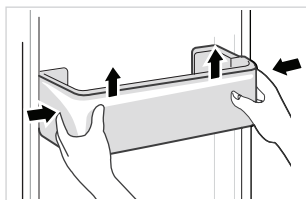
TĪRĪŠANA UN APKOPE

Atkausēšana

- Ledusskapis ir izgatavots, balstoties uz gaisa dzesēšanas principu, un tam ir automātiskas atkausēšanas funkcija. Apsarmojumu, kas radies gadalaika vai temperatūras maiņas dēļ, var manuāli noņemt, atvienojot ierīci no barošanas avota vai slaukot ar sausu dvieli.

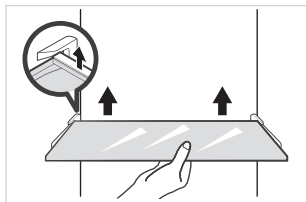
Durvju nodalījuma tīrīšana

- Atbilstoši virziena bultiņai zemāk redzamajā attēlā izmantojiet abas rokas, lai saspiestu plauktu, un velciet to augšup, lai izņemtu.
- Pēc tam, kad izņemtais plaukts ir nomazgāts, varat regulēt tā uzstādīšanas augstumu atbilstoši savām prasībām.



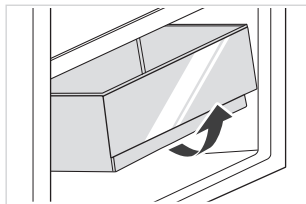
Stikla plaukta tīrīšana

- Tā kā ledusskapja ieliktna iekšējai daļai, kas saskaras ar plauktiem, ir atbalsta mehānisms, plauktus var izņemt, paceļot tos augšup.
- Regulējiet un tīriet plauktus atbilstoši savām prasībām.



Dārzeņu atvilktnes tīrīšana

1. Izņemiet atvilktnes saturu. Satveriet dārzeņu atvilktnes rokturi un izvelciet to līdz galam.
2. Paceliet dārzeņu atvilktni uz augšu un izņemiet to, izvelkot to ārā.



● ATTENTION

Tīrīšanai ieteicams izmantot mīkstus dvieļus vai sūkli, kas samitrināts ūdenī un nekodīgā neitrālā mazgāšanas līdzeklī. Saldētava jātīra ar tīru ūdeni un sausu drānu. Pirms energopadeves ieslēgšanas atveriet durvis, lai mitrās daļas nožūtu dabiskā ceļā. Ledusskapja tīrīšanai nelietojiet cietas birstes, tērauda bumbas, metāla suku, abrazīvus līdzekļus, piemēram, zobu pastas, organiskus šķīdinātājus (piemēram, alkoholu, acetonu, banānu eļļu u. c.), vārošu ūdeni, skābus vai sārmainus līdzekļus, jo tie var sabojāt ledusskapja virsmu un iekšpusi.

TRAUCĒJUMMEKLĒŠANA

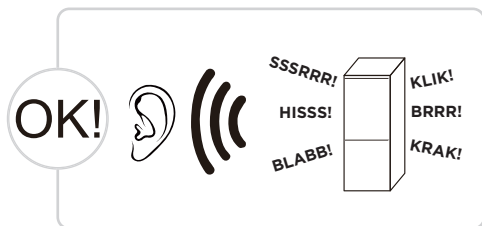
Tālāk minētās vienkāršās problēmas var risināt pats lietotājs. Sazinieties ar pēcpārdošanas pakalpojumu nodaļu, ja problēma nav atrisināta.

Problēma	Iespējamais cēlonis
Nedarbojas	• Pārbaudiet, vai ierīce ir savienota ar barošanas avotu un spraudnis ir cieši iesprausts
	• Pārbaudiet, vai spriegums nav pārāk zems
	• Pārbaudiet, vai nav traucēta elektroapgāde vai radusies problēma kontūra daļā
Smaka	• Aromātiski produkti ir cieši jāiesaiņo
	• Pārbaudiet, vai nav sabojājušos produktu
	• Iztīriet ledusskapja iekšpusi
Kompresora ilgstoša darbība	• Ledusskapja ilgstoša darbība ir normāla vasarā, kad apkārtnes temperatūra ir augsta
	• Nav ieteicams ierīcē vienlaicīgi uzglabāt pārāk daudz produktu
	• Produktiem ir jābūt atdzisušiem pirms to ievietošanas ierīcē
	• Durvis tiek pārāk bieži virinātas
Lampiņa neiedegas	• Pārbaudiet, vai ledusskapis ir savienots ar barošanas avotu un vai nav bojāta apgaismojuma lampiņa
	• Lūdziet speciālistu nomainīt lampiņu
Durvis nevar pareizi aizvērt	• Durvis traucē aizvērt produktu iepakojumi
	• Ledusskapis ir saliecies.
Skaļš troksnis	• Pārbaudiet, vai grīda ir līdzena un ledusskapis ir novietots stabili
	• Pārbaudiet, vai piederumi ir novietoti pareizajās vietās

LV

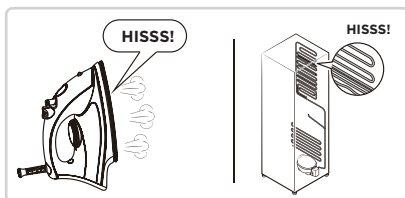
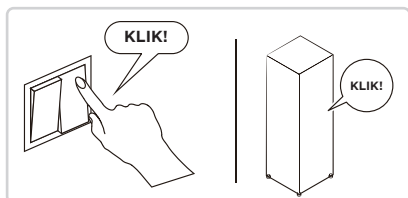
Problēma	Iespējamais cēlonis
Durvju blīve nav cieša	<ul style="list-style-type: none"> • Noņemiet svešķermeņus no durvju blīves • Sasildiet durvju blīvi un pēc tam atdzesējiet to (sildīšanai varat izmantot elektrisko fēnu vai karstu dvieļi)
Ūdens tekne pārplūst	<ul style="list-style-type: none"> • Kamerā ir pārāk daudz produktu vai uzglabātie produkti satur pārāk daudz ūdens, kā rezultātā nepieciešama spēcīga atkausēšana • Durvis nav rūpīgi aizvērtas, gaisa ieplūdes dēļ rodas sarma un atkausēšanas rezultātā ir daudz ūdens
Karsts korpuss	<ul style="list-style-type: none"> • Iebūvētā kondensatora siltuma izkliede caur korpusu, kas ir normāla parādība. Ja korpuss kļūst karsts augstās apkārtējās temperatūras dēļ, pārāk liela pārtikas daudzuma vai kompresora izslēgšanās dēļ, nodrošiniet labu ventilāciju, lai veicinātu siltuma izkliedi
Virsmas kondensācija	<ul style="list-style-type: none"> • Kondensāts uz ledusskapja ārējās virsmas un durvju blīvēm ir normāla parādība, ja apkārtnes mitrums ir pārāk augsts. Noslaukiet kondensātu ar tīru dvieļi.
Anormāls troksnis	<ul style="list-style-type: none"> • Dūkoņa: Kompresors darbības laikā var radīt dūkoņu, un dūkoņa ir skaļa, īpaši sākot un beidzot darbu. Tā ir normāla parādība. • Krakšķi: Ierīces iekšpusē plūstošais dzesētājs var radīt krakšķus, kas ir normāla parādība.

Vai dzirdat zemāk minētās neparastās skaņas? Parasti šīs skaņas ir normāla parādība.



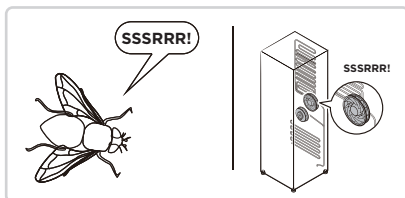
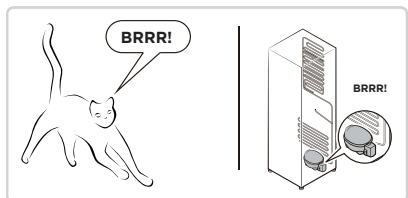
KLIK: Dažas elektriskās daļas ledusskapī, piemēram, elektriskais vārsts, darbības laikā rada šādu troksni. Tā ir normāla parādība.

HISS: Dzesētājam ieplūstot iztvaicētājā, atskan šāds troksnis. Tā ir normāla parādība.



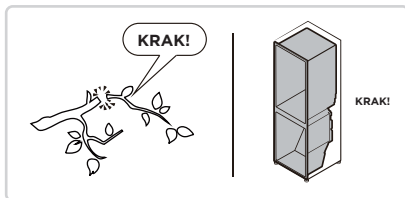
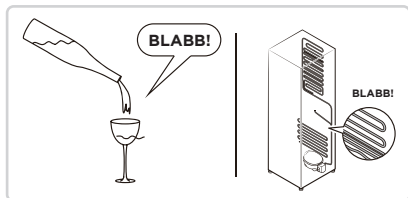
BRRR: Kompresors darbības laikā rada šādu troksni, un skaņas ir skaļas, īpaši sākot un beidzot darbu. Tā ir normāla parādība.

SSSRRR: Ledusskapjos ar automatiskās atkausēšanas funkciju ventilatora motors darbības laikā rada šādu troksni. Tā ir normāla parādība.



BLABB: Dzesētājam plūstot pa ledusskapja caurulēm, rodas šāds troksnis. Tā ir normāla parādība.

KRAK: Krakšķoša vai lūztoša ledus skaņa: ledusskapja vispārējā struktūra, gaisa vadu vēsums rada termisku izplešanos un saraušanos, un šīs skaņas arī ir normāla fiziska parādība.



LV

PIELIKUMS

Īpaši jaunam Eiropas standartam

Pasūtītās detaļas, kas norādītas tabulā, var iegādāties ar servisa nodrošinātāja starpniecību

Pasūtītā daļa	Nodrošina	Minimālais piegādes laiks
Termostati	Profesionāls apkopes personāls	Vismaz 7 gadus pēc pēdējā modeļa palaišanas tirgū
Temperatūras sensori	Profesionāls apkopes personāls	Vismaz 7 gadus pēc pēdējā modeļa palaišanas tirgū
Apdrukātas shēmas plates	Profesionāls apkopes personāls	Vismaz 7 gadus pēc pēdējā modeļa palaišanas tirgū
Gaismas avots	Profesionāls apkopes personāls	Vismaz 7 gadus pēc pēdējā modeļa palaišanas tirgū
Durvju rokturi	Profesionāli labotāji un galalietotāji	Vismaz 7 gadus pēc pēdējā modeļa palaišanas tirgū
Durvju eņģes	Profesionāli labotāji un galalietotāji	Vismaz 7 gadus pēc pēdējā modeļa palaišanas tirgū
Plaukti	Profesionāli labotāji un galalietotāji	Vismaz 7 gadus pēc pēdējā modeļa palaišanas tirgū
Grozi	Profesionāli labotāji un galalietotāji	Vismaz 7 gadus pēc pēdējā modeļa palaišanas tirgū
Durvju blīves	Profesionāli labotāji un galalietotāji	Vismaz 10 gadus pēc pēdējā modeļa palaišanas tirgū

Cienījamais klient,

1. Ja vēlaties nodot atpakaļ vai nomainīt izstrādājumu, lūdzu, sazinieties ar veikalu, kurā to iegādājāties.
(Atcerieties paņemt līdzīgu pirkuma čekus)
2. Ja izstrādājums ir salūzis un ir nepieciešams remonts, lūdzu, sazinieties ar pēc pārdošanas pakalpojumu sniedzēju.

UZMANĪBU

Informāciju par konkrēto modeli produktu datubāzē, kā arī modeļa identifikatoru var iegūt, izmantojot tīmekļa saiti, skenējot QR kodu, ja tāds ir, uz izstrādājuma energoefektivitātes marķējuma.

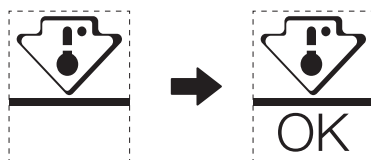
Lai iegūtu papildinformāciju par ierīces energoefektivitāti, apmeklējiet vietni <https://ec.europa.eu> un meklējiet, izmantojot modeļa nosaukumu.

Modeļa nosaukums pieejams uz ierīces datu uzlīmes.

Aukstākā zona ledusskapī

PĒC IZVĒLES: Atbilstošās temperatūras rādītājs

- Atbilstošās temperatūras rādītāju var izmantot, lai noteiktu temperatūru zem +4 °C. Pakāpeniski samaziniet temperatūru, ja nav redzams "OK".



- Lai nodrošinātu temperatūru šajā zonā, nemainiet plaukta pozīciju. Piespiedu gaisa ledusskapjiem (modeļiem ar ventilatoru vai automātiskās atkausēšanas funkciju) aukstākās zonas simbola nav, jo temperatūra iekšpusē ir viendabīga.

Temperatūras indikatora iestatīšana

- Lai palīdzētu jums veikt ledusskapja iestatīšanu, tas ir aprīkots ar temperatūras indikatoru, kas novēro vidējo temperatūru aukstākajā zonā.
- BRĪDINĀJUMS: Šis indikators ir paredzēts tikai darbam ar jūsu ledusskapi, nelietojiet to citā ledusskapī (faktiski aukstākā zona nav tāda pati) vai citiem nolūkiem.

Temperatūras pārbaude aukstākajā zonā

- Izmantojot temperatūras indikatoru, jūs varat regulāri pārbaudīt, vai aukstākās zonas temperatūra ir pareiza. Ledusskapja iekšējā temperatūra ir atkarīga no vairākiem faktoriem, piemēram, telpas apkārtējās temperatūras, uzglabāto pārtikas produktu daudzuma un durvju atvēršanas biežuma. Iestatot ierīci, ņemiet vērā šos faktorus.
- Kad indikators rāda "OK", tas nozīmē, ka termostats ir labi noregulēts un iekšējā temperatūra ir pareiza.
- Ja temperatūras indikators nomainās uz BALTU, tas nozīmē, ka temperatūra ir pārāk augsta; šādā gadījumā palieliniet ledusskapja temperatūras kontroles iestatījumu un uzgaidiet 12 stundas, pirms no jauna vizuāli pārbaudāt indikatoru. Kad ir ievietoti svaigi pārtikas produkti vai durvis ir atstātas atvērtas, pēc kāda laika temperatūras indikators, iespējams, nomainīsies uz BALTU.

PORUKA ZAHVALNOSTI

Hvala vam što ste izabrali kompaniju Midea! Pre upotrebe svog novog Midea proizvoda, pažljivo pročitajte ovo uputstvo da biste se uverili da znate kako da na bezbedan način koristite karakteristike i funkcije koje vaš novi uređaj nudi.

SADRŽAJ

PORUKA ZAHVALNOSTI	01
SPECIFIKACIJE	02
PREGLED PROIZVODA	03
POSTAVLJANJE PROIZVODA	05
UPUTSTVO ZA UPOTREBU	12
ČIŠĆENJE I ODRŽAVANJE	17
REŠAVANJE PROBLEMA	18
DODATAK	21

SPECIFIKACIJE

Model proizvoda	MDRB548MME*
Nominalni napon/frekvencija	220-240 V - / 50 Hz
Nazivna jačina struje	1,4 A
Ukupna zapremina	401 l
Zapremina odeljka za čuvanje sveže hrane	271 l
Zapremina odeljka sa četiri zvezdice	130 l
Kapacitet zamrzavanja	8,0 kg /24 sati
Vreme rasta temperature	8 sati
Ukupne dimenzije (Š x D x V)	595x670x1.860 mm

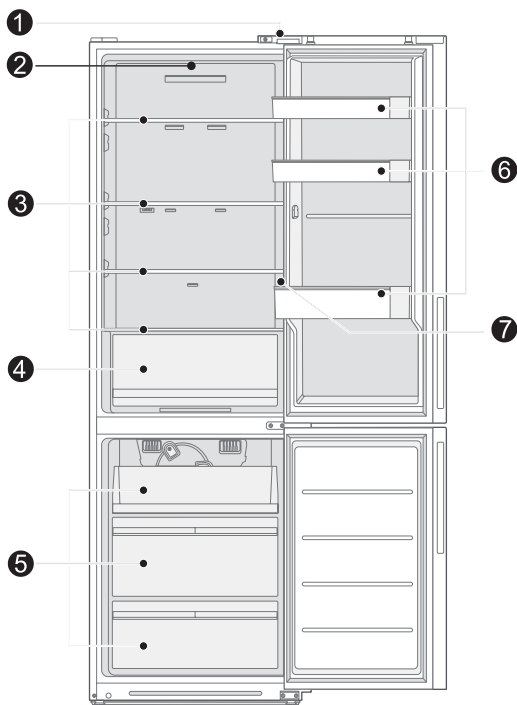
Model proizvoda	MDRB600MME*
Nominalni napon/frekvencija	220-240 V - / 50 Hz
Nazivna jačina struje	1,4 A
Ukupna zapremina	443 l
Zapremina odeljka za čuvanje sveže hrane	313 l
Zapremina odeljka sa četiri zvezdice	130 l
Kapacitet zamrzavanja	8,0 kg /24 sati
Vreme rasta temperature	8 sati
Ukupne dimenzije (Š x D x V)	595x670x2.010 mm

SR

PREGLED PROIZVODA

Nazivi komponenti

MDRB548MME*



1 Prekidač vrata

2 LED sijalica

3 Polica

4 Kutija za voće i povrće

5 Fioka

6 Polica za vrata

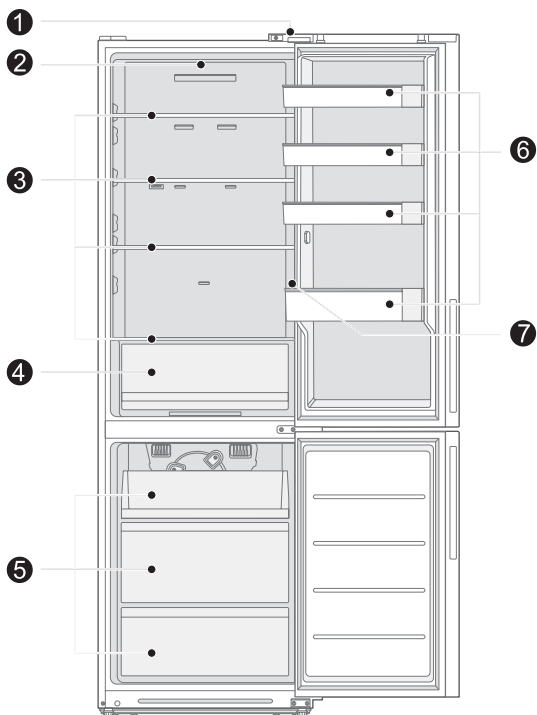
7 Kontrolna tabla

● PAŽNJA

Slika iznad služi samo za referencu. Stvarna konfiguracija će zavisiti od kupljenog proizvoda ili izjave distributera.

SR

MDRB600MME*



1 Prekidač vrata

2 LED sijalica

3 Polica

4 Kutija za voće i povrće

5 Fioka

6 Polica za vrata

7 Kontrolna tabla

● PAŽNJA

Slika iznad služi samo za referencu. Stvarna konfiguracija će zavisi od kupljenog proizvoda ili izjave distributera.

POSTAVLJANJE PROIZVODA

Uputstvo za postavljanje

Za uređaje za hlađenje sa klimatskom klasom

- U zavisnosti od klimatske klase, ovaj uređaj za hlađenje predviđen je za upotrebu u opsezima temperature okruženja navedenim u sledećoj tabeli.
- Klimatsku klasu možete da pronađete na pločici sa specifikacijama. Proizvod ne može ispravno da funkcioniše na temperaturama van navedenog opsega.
- Klimatsku klasu možete pronaći na nalepnici proizvoda.

Efektivni opseg temperature

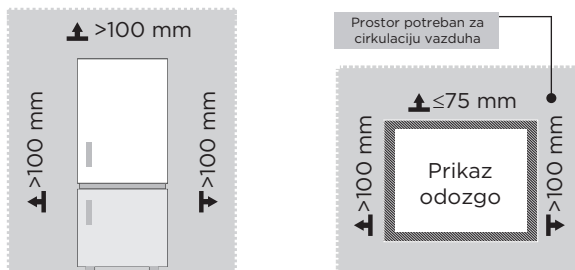
- Proizvod je projektovan tako da normalno radi u opsegu temperature koji je naveden u specifikacijama klase.

Klasa	Simbol	Opseg temperature okoline °C	
		IEC 62552 (ISO 15502)	ISO 8561
Proširena umerena	SN	od +10 do +32	od +10 do +32
Umerena	N	od +16 do +32	od +16 do +32
Subtropska	ST	od +16 do +38	od +18 do +38
Tropska	T	od +16 do +43	od +18 do +43

SR

Dimenzije i rastojanja

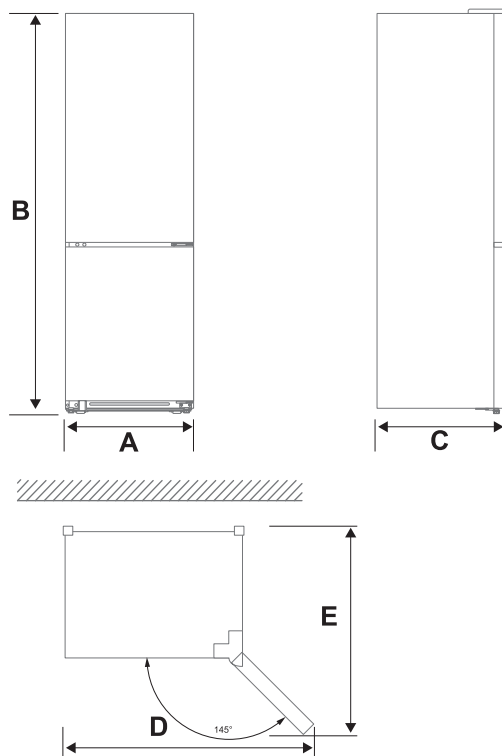
- Omogućite slobodnu cirkulaciju vazduha oko kućišta. Prilikom instaliranja uređaja obezbedite 10 cm slobodnog prostora sa obe strane, 10 cm na vrhu uređaja i ne više od 7,5 cm na zadnjoj strani uređaja.



● ATTENTION

Slika iznad služi samo za referencu. Stvarna konfiguracija će zavisiti od kupljenog proizvoda ili izjave distributera.

Dijagram potrebnog prostora (kada su vrata otvorena i zatvorena)



SR

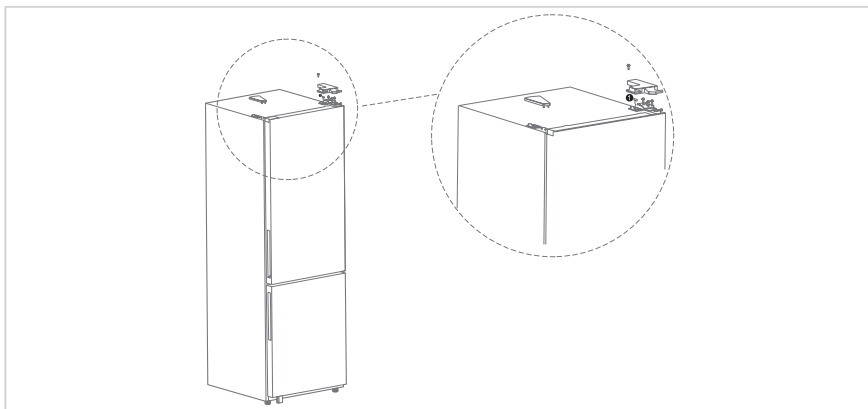
Model	Širina	Ukupna visina	Dubina	Širina kada su vrata otvorena pod uglom od 145°	Dubina kada su vrata otvorena pod uglom od 145°
	A	B	C	D	E
MDRB548MME*	595	1860	670	960	1070
MDRB600MME*	595	2010	670	960	1070

Napomena: Sve dimenzije u mm

Preokret vrata

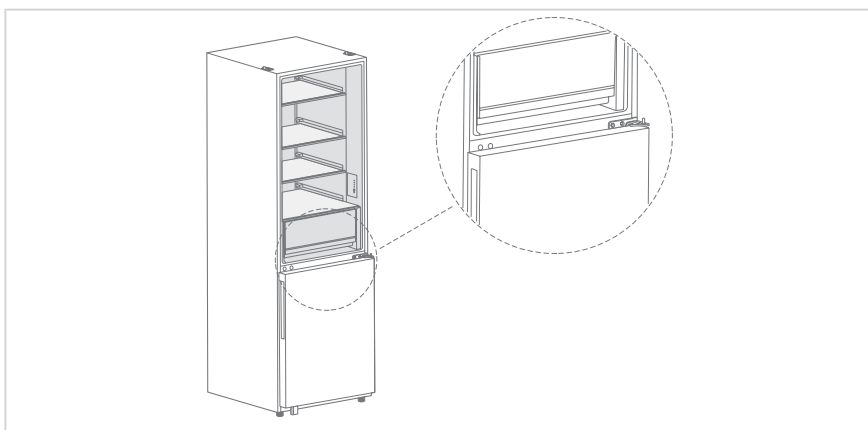
U zavisnosti od lokacije na kojoj planirate da koristite frižider, možda će vam biti zgodnije da promenite stranu otvaranja vrata.

1. Uklonite predmete sa kućišta vrata.
2. Uklonite dekorativni poklopac gornje leve šarke, poklopac gornje desne šarke, gornju desnu šarku, isključite signalnu liniju na gornjoj desnoj strani kućišta frižidera (1 signalna linija).

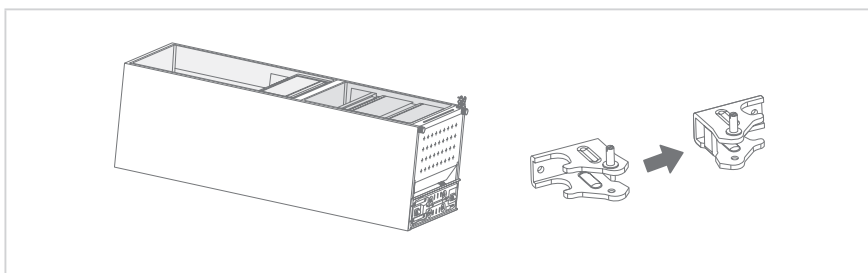


3. Uklonite kućište vrata frižidera (obratite pažnju da ne izgubite male delove kao što su odbojnici za vrata); Uklonite srednju šarku za rezervnu upotrebu i uklonite dekorativni poklopac otvora šarke, poklopac i zavrtnje sa druge strane.

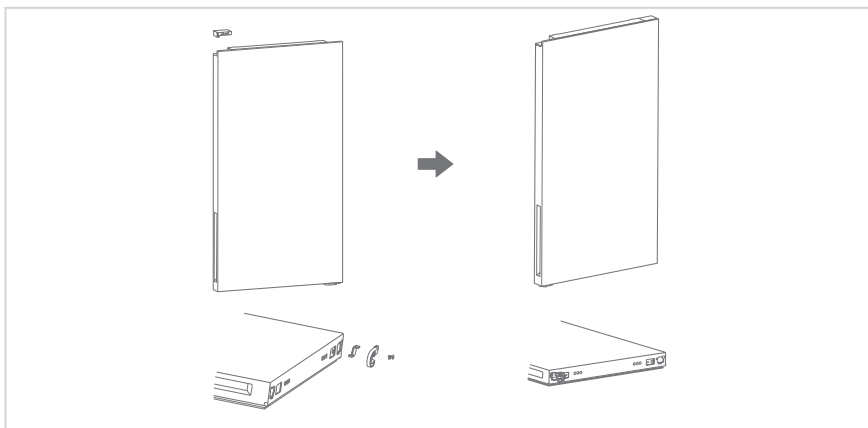
SR



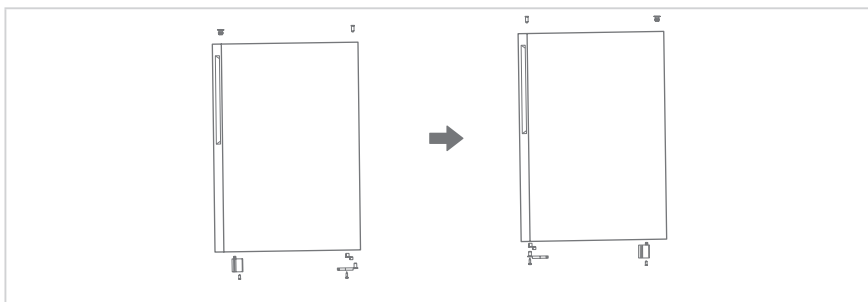
4. Uklonite kućište vrata zamrzivača (pazite da ne izgubite male delove kao što su čaure osovine i odbojnici za vrata); uklonite donju šarku, uklonite donju osovinu šarke i postavite je na drugu stranu šarke, uklonite donju šarku, uklonite donju osovinu šarke i postavite je na drugu stranu šarke za rezervnu upotrebu.



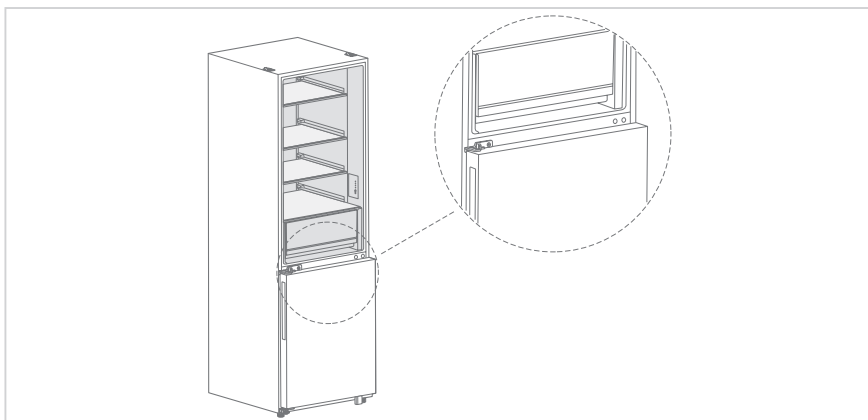
5. Zamena vrata frižidera; uklonite levi dekorativni poklopac, uklonite desni dekorativni poklopac sa pakovanja pribora i postavite ga na drugu stranu gornjeg poklopca; uklonite automatsku bravicu vrata frižidera, graničnik vrata, uklonite automatsku bravicu levih vrata iz pakovanja pribora i postavite odbojnik za vrata i automatsku bravicu levih vrata na levu stranu donjeg poklopca, redom.



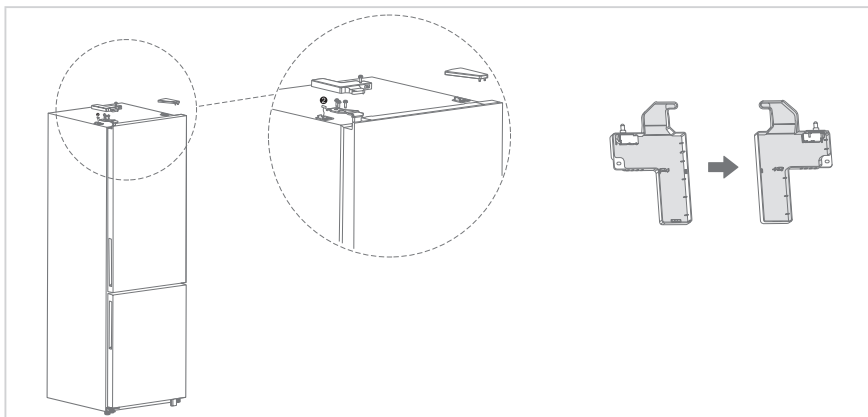
6. Prekidač vrata zamrzivača; uklonite gornju čauru poklopca vrata zamrzivača i postavite poklopac u levi i desni zamenljivi položaj. Uklonite automatsku bravicu vrata zamrzivača, odbojnik za vrata i nosač vrata, uklonite automatsku bravicu levih vrata iz pakovanja pribora, redom postavite odbojnik za vrata i automatsku bravicu levih vrata na levu stranu donjeg poklopca zamrzivača i postavite nosač vrata na desnu stranu donjeg poklopca zamrzivača.



7. Postavite srednju šarku i postavite vrata frižidera na srednju šarku, zatim postavite donju šarku i pokrijte je dekorativnim poklopcem otvora šarke.



8. Uklonite poklopac leve gornje šarke sa pakovanja pribora, levu gornju šarku, uklonite prekidač montiran na poklopcu desne šarke i postavite ga na poklopac leve gornje šarke; postavite kućište vrata frižidera na srednju šarku i postavite levu gornju šarku; povežite gornju signalnu liniju ② na levoj strani frižidera i prekidač na poklopcu leve šarke, pokrijite i pričvrstite poklopac leve šarke i na kraju postavite dekorativni poklopac šarke na desnu stranu kućišta frižidera.



SR

● ATTENTION

Zbog tehničkih promena i različitih modela, neke od ilustracija u ovom priručniku mogu se razlikovati od vašeg modela.

- Uverite se da je vaš frižider isključen i prazan.
- Neka vam neko pomogne tokom ovog postupka.
- Sačuvajte sve delove koje uklonite da biste ih kasnije ponovo postavili.



Stopice za nivelisanje

Da bi se izbegle vibracije, uređaj mora biti nivelisan.

Ako je potrebno, podesite zavrtnje za nivelisanje da biste kompenzovali neravan pod.

Prednji deo treba da bude nešto viši od zadnjeg da bi se lakše zatvorila vrata.

Zavrtnji za nivelisanje mogu lako da se okreću ako se kućište malo nagne.

Okrećite zavrtnje za nivelisanje suprotno smeru kazaljke na satu  da biste podigli uređaj ili u smeru kazaljke na satu  da biste ga spustili.

Premeštanje uređaja

1. Uklonite svu hranu iz unutrašnjosti uređaja.
2. Izvucite utikač za napajanje, umetnite i pričvrstite na kuku za utikač na zadnjoj strani ili na vrhu uređaja.
3. Zalepите delove kao što su police i ručka na vratima da ne bi pali dok premeštate uređaj.
4. Uređaj pažljivo premeštajte uz pomoć jedne ili više osoba. Kada transportujete uređaj na velike udaljenosti, uređaj mora biti u uspravnom položaju.
5. Nakon instaliranja uređaja, priključite utikač u utičnicu da biste uključili uređaj.

ATTENTION

Mere predostrožnosti pre početka upotrebe:

Pre nego što bilo šta promenite, morate da isključite frižider iz utičnice.

Treba preduzeti mere predostrožnosti kako bi se sprečile bilo kakve telesne povrede.

Zamena sijalica

- Svaka zamena ili održavanje LED sijalica je namenjena proizvođaču, njegovom servisnom zastupniku ili sličnoj kvalifikovanoj osobi.

ATTENTION

Ovaj proizvod sadrži izvor osvetljenja klase energetske efikasnosti (G).

Povezivanje uređaja

Nakon instaliranja uređaja, priključite utikač u utičnicu.

ATTENTION

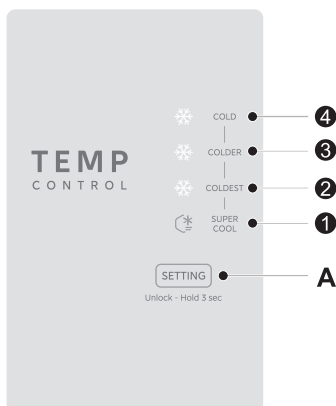
Nakon što priključite kabl za napajanje (ili utikač) u utičnicu, sačekajte 2 ili 3 sata pre nego što stavite hranu u uređaj. Ako dodate hranu pre nego što se uređaj potpuno rashladi, može doći do kvarenja hrane.

Saveti za štednju energije

- Nemojte postavljati uređaj blizu štednjaka, radijatora ili drugih izvora toplote. Ako je temperatura okoline visoka, kompresor će raditi češće i duže, što će dovesti do povećane potrošnje energije.
- Uverite se da postoji dovoljan protok vazduha pri dnu uređaja, na bočnim stranama uređaja i na zadnjoj strani uređaja. Nemojte pokrivati ventilacione otvore.
- Takođe obratite pažnju na veličine razmaka u poglavlju „Postavljanje“.
- Raspored fioka, polica i poslužavnika prikazan na ilustraciji omogućava najefikasniju iskorišćenost energije i stoga ga treba zadržati koliko god je to moguće. Sve fioke i police treba da ostanu u uređaju kako bi temperatura bila stabilna i kako bi se štedela energija.
- Da biste dobili veći prostor za skladištenje (npr. za velike rashlađene/zamrznute namirnice), moguće je ukloniti srednje fiokke. Gornje i donje fiokke i police treba ukloniti na kraju, ako je to potrebno.
- Ravnomerno napunjen odeljak frižidera/zamrzivača doprinosi optimalnoj iskorišćenosti energije. Zato izbegavajte da pregrade budu prazne ili poluprazne.
- Ostavite toplu hranu da se ohladi pre nego što je stavite u frižider/zamrzivač. Hrana koja se već ohladila doprinosi većoj energetskej efikasnosti.
- Ostavite zamrznutu hranu da se odmrzava u frižideru. Hladnoća smrznute hrane smanjuje potrošnju energije u odeljku frižidera, što povećava energetskej efikasnost.
- Otvarajte vrata samo onoliko koliko je potrebno da biste smanjili gubitak hladnoće. Kratkim otvaranjem vrata i njihovim pravilnim zatvaranjem smanjujete potrošnju energije.
- Zaptivke na vratima uređaja moraju da budu potpuno netaknute kako bi se vrata pravilno zatvarala i kako se potrošnja energije ne bi nepotrebno povećavala.

UPUTSTVO ZA UPOTREBU

Kontrolna tabla



Taster

A Dugme za podešavanje temperature

Sadržaj displeja

1	LED1 (SUPER HLAĐENJE)
2	LED2 (2 °C/NAJHLADNIJE)
3	LED3 (4 °C/HLADNIJE)
4	LED4 (8 °C/HLADNO)

Prikaz

- Kada prvi put uključite uređaj, prikazaće se u potpunosti na 3 sekunde, a zatim će se prikazivati uobičajeno (prvi put podesite vrednost 4 °C).
- Kada dođe do nepravilnosti, na ekranu je prikazana šifra nepravilnosti (u režimu prikaza ciklusa). U uobičajenom stanju, umesto šifre nepravilnosti prikazana je podešena brzina frižidera.
- U normalnim okolnostima, posle 15 sekundi tokom kojih nije pritisnut nijedan taster, podešavanje će stupiti na snagu.

Zaključavanje i otključavanje

- Pritisnite i držite 3 sekunde da biste otključali, LED treperi kako bi označio da je otključavanje uspešno, a brava se automatski zaključava nakon 15 sekundi tokom kojih nije pritisnut nijedan taster.

● PAŽNJA

Stvarna kontrolna tabla se može razlikovati od modela do modela.

Uputstvo za upotrebu

Podešavanje rada

- Pritisnite dugme SETTING jedanput da biste promenili podešavanje temperature.
- Podesite prema opciji na: LED4 - > LED3 - > LED2 - > LED1 - > LED4

Režim brzog hlađenja

Ulazak u režim rada:

- Pritisnite taster za kontrolu temperature da biste upalili LED1.

Rad u režimu:

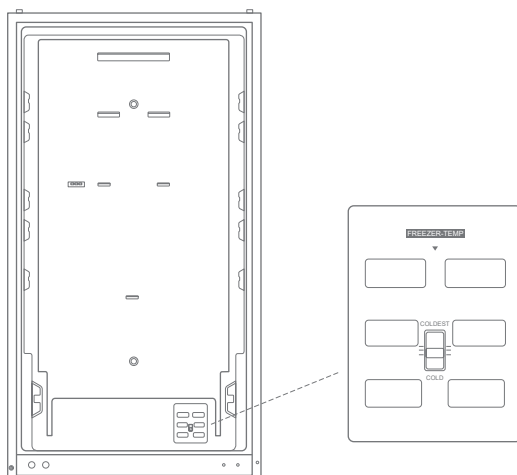
- Kompresor radi na maksimalnoj brzini trenutne temperature okruženja.
- Ventilator radi na trenutnoj brzini -1 stepen brzine (Prioritet je niži od preopterećenja).
- Rad u skladu sa početnom i zaustavnom tačkom brzog hlađenja sa 2 stepena brzine, i nemojte odmrzavati tokom perioda brzog zamrzavanja (osim za odmrzavanje pri uključivanju).
- Odmrzavanje jednom posle izlaska iz režima brzog hlađenja.

Izlazak iz režima rada:

- Podesite temperaturu za izlazak iz režima brzog hlađenja.
- Izadite posle 16 sati rada u režimu brzog hlađenja.

Podešavanje ručice otvora za vazduh

Okrenite ručicu vazdušne klapne nagore, stvarna temperatura u zamrzivaču će pasti, okrenite ručicu vazdušne klapne nadole, stvarna temperatura u komori zamrzivača će porasti.



Šifra greške

- Sledeća upozorenja koja se pojavljuju na ekranu ukazuju na odgovarajuće kvarove frižidera. Iako frižider može i dalje da ima funkciju hlađenja i zamrzavanja sa sledećim kvarovima, korisnik treba da se obrati serviseru radi održavanja kako bi se obezbedila normalna upotreba frižidera.

Šifra kvara	Opis kvara
LED 1 i LED2 trepere	Kvar senzora temperature frižidera
LED 1 i LED3 trepere	Kvar senzora za odmrzavanje zamrzivača
LED 1 i LED4 trepere	Kvar senzora temperature okruženja

Saveti za skladištenje hrane

Odeljak zamrzivača

- Zamrzivač je predviđen za skladištenje smrznute hrane na veoma niskim temperaturama, dugotrajno skladištenje smrznute hrane i pravljenje leda.
- Police na vratima zamrzivača koristite isključivo za čuvanje smrznute hrane, a ne za skladištenje vruće hrane koju želite da zamrznete.
- Nemojte stavljati svežu i smrznutu hranu jednu pored druge. Zamrznuta hrana se može odmrznuti.
- Kada zamrzavate svežu hranu (kao što je meso, riba ili seckano meso), isecite ih na delove koji se mogu koristiti u isto vreme.
- Čuvanje smrznute hrane: uputstva su obično navedena na pakovanju i moraju se poštovati. Ako na ambalaži nema nikakvih informacija, hranu ne treba čuvati duže od tri meseca od datuma kupovine.
- Prilikom kupovine smrznute hrane, uverite se da je zamrznuta na odgovarajućoj temperaturi i da pakovanje nije oštećeno.
- Smrznutu hranu treba čuvati u odgovarajućim pakovanjima da bi se održao kvalitet i treba je vratiti u odeljak zamrzivača što je pre moguće.
- Ako na pakovanju smrznute hrane ima vlage ili neuobičajenih ispuščenja, verovatno je čuvano na pogrešnoj temperaturi i sadržaj se pokvario.
- Period skladištenja smrznute hrane zavisi od sobne temperature, podešavanja termostata, učestalosti otvaranja vrata zamrzivača, vrste namirnica i vremena transporta proizvoda od prodavnice do domaćinstva. Obavezno pratite uputstva odštampana na pakovanju i nemojte premašivati maksimalno vreme skladištenja navedeno na pakovanju.

SR

Odeljak za hlađenje

- Da biste smanjili pojavu vlage i naknadno nakupljanje leda, nemojte stavljati tečnost u frižider u nezatvorenim posudama. Led se najčešće skuplja u najhladnijim delovima isparivača. Čuvanje nepokrivenih tečnosti dovodi do potrebe za češćim odleđivanjem.
- Nemojte stavljati toplu hranu u frižider. Prvo treba da se ohladi do sobne temperature i da se zatim postavi tako da se obezbedi odgovarajuća cirkulacija vazduha u frižideru.
- Hrana ili posude za hranu ne treba da dodiruju zadnji zid frižidera jer se mogu zamrznuti za zid. Nemojte često otvarati vrata frižidera.
- Meso i očišćena riba (upakovana u pakovanje ili plastičnu foliju) mogu da se stave u frižider i da se iskoriste za 1-2 dana.
- Voće i povrće bez ambalaže može se staviti u deo predviđen za sveže voće i povrće.

● ATTENTION

Optimalno podešavanje temperature svakog odeljka zavisi od temperature okoline. Temperatura iznad optimalne zasnovana je na temperaturi okoline od 25 °C.

Redosled	TIP odeljaka	Ciljna temperatura skladištenja [°C]	Pogodne namirnice
1	Frižider	$+2 \leq x \leq +8$	Jaja, kuvana hrana, upakovana hrana, voće i povrće, mlečni proizvodi, kolači, pića i druga hrana nisu pogodni za zamrzavanje.
2	 Četiri pahuljice	$x \leq -18$	Sa kapacitetom zamrzavanja, brzom brzinom zamrzavanja može brzo da zamrzne i skladišti hranu. Prikladno za zamrznute sveže namirnice kao što su morski plodovi (riba, rakovi, školjke), rečna riba i proizvodi od mesa. Preporučeno za 3-6 meseci. Ukus i hranljivost se gube tokom čuvanja.
3	 Tri pahuljice	$x \leq -18$	Ima funkciju zamrzavanja. Prikladno za zamrznute sveže namirnice kao što su morski plodovi (riba, rakovi, školjke), rečna riba i proizvodi od mesa. Preporučuje se za do 3 meseca.
4	 Dve pahuljice	$x \leq -12$	Prikladno samo za srednje dugo skladištenje već zamrznutih namirnica, kao što je sladoled. Preporučuje se za do 1 mesec.
5	 Jedna pahuljica	$x \leq -6$	Prikladno samo za rashlađivanje i kraće čuvanje manjih količina već zamrznutih namirnica. Preporučuje se za do nedelju dana.
6	0 zvezdica	$-6 \leq x \leq 0$	Sveža svinjetina, govedina, riba, piletina, određena pakovana gotova i polugotova hrana itd. (preporučuje se konzumacija istog dana, po mogućstvu posle najviše 3 dana). Delimično enkapsulirana gotova i polugotova hrana (hrana koja se ne zamrzava).
7	Hlađenje	$-2 \leq x \leq +3$	Sveža/zamrznuta svinjetina, govedina, piletina, slatkovodni proizvodi itd. (7 dana ispod 0 °C, dok se pri čuvanju iznad 0 °C preporučuje konzumacija istog dana, po mogućstvu posle najviše 2 dana). Morski plodovi (ispod 0 °C do 15 dana, ne preporučuje se čuvanje iznad 0 °C).
8	Sveža hrana	$0 \leq x \leq +4$	Sveža svinjetina, govedina, riba, piletina, kuvana hrana itd. (preporučuje se konzumacija istog dana, po mogućstvu posle najviše 3 dana)
9	Vino	$+5 \leq x \leq +20$	Crveno vino, belo vino, penušavo vino itd.

ATTENTION

Čuvajte različite vrste namirnica u odgovarajućim pregradama ili u skladu sa ciljnom temperaturom skladištenja kupljenih proizvoda.

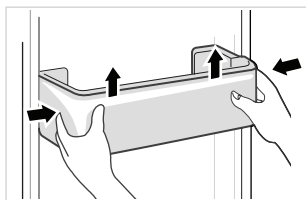
ČIŠĆENJE I ODRŽAVANJE

Odmrzavanje

- Frižider je napravljen po principu hlađenja vazduha i zato ima funkciju automatskog odmrzavanja. Mraz koji se formira zbog promene godišnjeg doba ili temperature može i ručno da se ukloni isključivanjem uređaja sa napajanja ili brisanjem suvim peškirom.

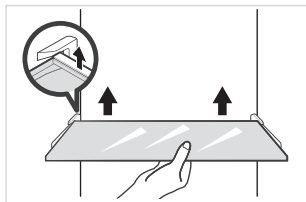
Čišćenje police za vrata

- Prema strelici smera na donjoj slici, sa obe ruke gurnite policu nagore, a zatim je možete izvaditi.
- Nakon pranja police koju ste izvadili, možete da podesite njenu visinu postavljanja prema svojim potrebama.



Čišćenje staklene police

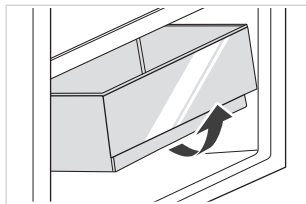
- Kako najdublji unutrašnji deo podloge frižidera gde kontakt sa policama ima graničnik, morate da podignete police nagore, a zatim ih možete izvaditi.
- Podesite ili očistite police prema vašim potrebama.



SR

Čišćenje fioke za povrće

1. Uklonite sadržaj fioke. Držite ručicu fioke za povrće i izvlačite fioku dok se ne zaustavi.
2. Podignite fioku za povrće i uklonite je tako što ćete je izvući.



● ATTENTION

Za čišćenje se preporučuju meki peškiri ili sunder umočeni u vodu i nekorozivni neutralni deterdženti. Zamrzivač se mora na kraju očistiti čistom vodom i obrisati suvom krpom. Otvorite vrata za prirodno sušenje pre nego što se uključi napajanje. Nemojte koristiti tvrde četke, čelične kuglice za čišćenje, žičane četke, abrazivna sredstva (kao što su paste za zube), organske rastvarače (kao što su alkohol, aceton, ulje banane, itd.), ključalu vodu, kisele ili alkalne predmete da očistite frižider s obzirom da to može da ošteti površinu i unutrašnjost frižidera.

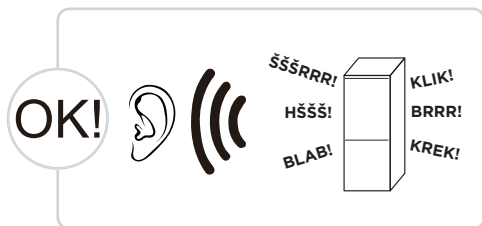
REŠAVANJE PROBLEMA

Sledeće jednostavne probleme može da reši korisnik. Ukoliko u tome ne uspete, pozovite postprodajno servisno odeljenje.

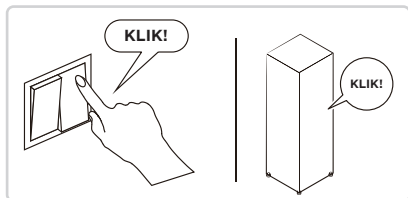
Problem	Mogući razlog
Uređaj ne radi	• Proverite da li je uređaj priključen na napajanje ili da li je utikač dobro priključen
	• Proverite da li je napon pre nizak
	• Proverite da li postoji prekid napajanja ili isključenje delimičnih kola
Miris	• Hranu koja odaje miris treba dobro umotati
	• Proverite da li ima trulih namirnica
	• Očistite unutrašnjost frižidera
Dugotrajni rad kompresora	• Dugotrajni rad frižidera je normalan leti kada je temperatura okoline visoka
	• Ne stavljajte previše hrane u uređaj odjednom
	• Hrana treba da se ohladi pre stavljanja u uređaj
	• Vrata se prečesto otvaraju
Svetlo se ne pali	• Proverite da li je frižider priključen na napajanje i da li je svetlo oštećeno
	• Neka svetlo zameni obučena osoba
Vrata se ne mogu dobro zatvoriti	• Ambalaža namirnica blokira vrata
	• Frižider je nagnut.
Jaka buka	• Proverite da li je pod ravan i da li je frižider stabilno postavljen
	• Proverite da li je dodatna oprema pravilno postavljena

Problem	Mogući razlog
Zaptivka vrata nije čvrsta	<ul style="list-style-type: none"> • Uklonite strane materije na zaptivki vrata • Zagrejte zaptivku vrata, a zatim je ohladite za obnovu (ili je izduvajte električnim sušačem ili koristite vrući peškiri za zagrevanje)
Posuda za vodu se preliva	<ul style="list-style-type: none"> • U odeljku ima previše hrane ili skladištena hrana sadrži previše vode, što dovodi do odmrzavanja • Vrata nisu dobro zatvorena, što dovodi do stvaranja ledenih naslaga, zbog ulaska vazduha i povećanja vode zbog odmrzavanja
Vruće kućište	<ul style="list-style-type: none"> • Odvođenje toplote ugrađenog kondenzatora preko kućišta, što je normalna pojava. Kada se kućište zagreje zbog visoke temperature okoline, skladištenja previše hrane ili isključivanja kompresora, obezbedite odgovarajuću ventilaciju da biste olakšali odvođenje toplote
Površinska kondenzacija	<ul style="list-style-type: none"> • Kondenzacija na spoljašnjoj površini i zaptivkama vrata frižidera je normalna kad je vlažnost okoline prevelika. Dovoljno je da obrišete kondenzat čistim peškirom.
Neuobičajeni zvuk	<ul style="list-style-type: none"> • Zujanje: Kompresor može da proizvodi zujanje tokom rada, a zujanje je glasno, posebno prilikom pokretanja ili zaustavljanja. To je normalno. • Škripa: Rashladno sredstvo koje teče unutar uređaja može da proizvodi škripu, što je normalno.

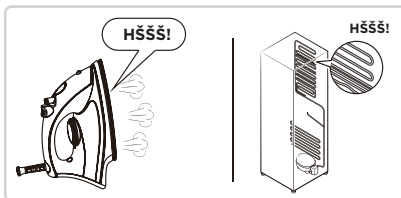
Da li čujete ove neuobičajene zvukove kao u nastavku? Obično su ti zvukovi uobičajeni.



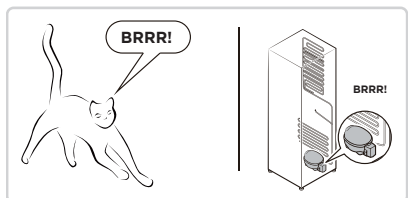
KLIK: Neki električni delovi u frižideru, kao što je električni ventil, proizvodiće ovaj zvuk tokom rada. To je normalno.



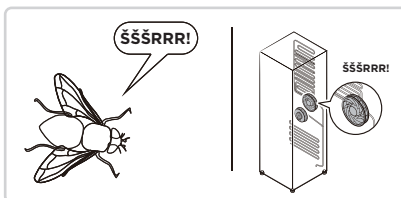
HŠŠŠ: Kada rashladno sredstvo teče u isparivač, proizvodiće ovaj zvuk. To je normalno.



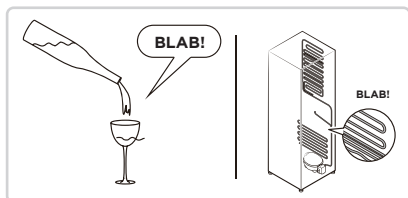
BRRR: Kompresor će proizvoditi ovaj zvuk tokom rada, a zujanje je glasno, posebno prilikom pokretanja ili zaustavljanja. To je normalno.



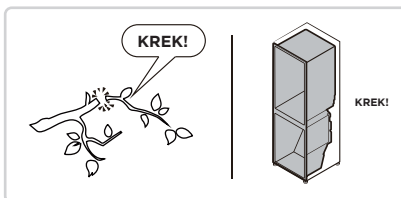
ŠŠŠRRR: Motor ventilatora u frižideru bez zaleđivanja će proizvoditi ovaj zvuk tokom rada. To je normalno.



BLAB: Rashladno sredstvo koje teče kroz cevi u frižideru će proizvoditi ovaj zvuk. To je normalno.



KREK: Zvuk pucanja ili zvuk razbijenog leda: ukupna konstrukcija frižidera, mraz u vazдушnom kanalu biće praćen toplotnim širenjem i skupljanjem zvuka širenja, što je takođe normalna fizička pojava.



DODATAK

Posebno za novi evropski standard

Poručene delove navedene u sledećoj tabeli možete nabaviti od dobavljača usluga

Naručeni deo	Dostavlja	Minimalno vreme potrebno za pružanje usluge
Termostati	Stručno osoblje za održavanje	Najmanje 7 godina od stavljanja poslednjeg modela na tržište
Senzori temperature	Stručno osoblje za održavanje	Najmanje 7 godina od stavljanja poslednjeg modela na tržište
Štampane ploče	Stručno osoblje za održavanje	Najmanje 7 godina od stavljanja poslednjeg modela na tržište
Izvori svetlosti	Stručno osoblje za održavanje	Najmanje 7 godina od stavljanja poslednjeg modela na tržište
Ručice vrata	Profesionalni serviseri i krajnji korisnici	Najmanje 7 godina od stavljanja poslednjeg modela na tržište
Šarke vrata	Profesionalni serviseri i krajnji korisnici	Najmanje 7 godina od stavljanja poslednjeg modela na tržište
Police	Profesionalni serviseri i krajnji korisnici	Najmanje 7 godina od stavljanja poslednjeg modela na tržište
Korpe	Profesionalni serviseri i krajnji korisnici	Najmanje 7 godina od stavljanja poslednjeg modela na tržište
Zaptivke vrata	Profesionalni serviseri i krajnji korisnici	Najmanje 10 godina od stavljanja poslednjeg modela na tržište

SR

Poštovani kupci

1. Ako želite da vratite ili zamenite proizvod, kontaktirajte prodavnicu u kojoj ste kupovali.
(Ne zaboravite da ponesete račun za kupovinu)
2. Ako se vaš proizvod pokvari i treba da se popravi, kontaktirajte pružaoca postprodajne usluge.

PAŽNJA

Informacije o modelu u bazi podataka o proizvodima, kao i identifikator modela, mogu se saznati na linku koji se otvara kada se skenira QR kod na nalepnici o energetske efikasnosti na proizvodu.

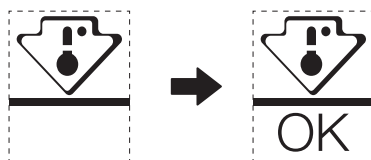
Dodatne informacije o energetske efikasnosti uređaja potražite na veb-sajtu <https://ec.europa.eu> i pretražite ga koristeći naziv modela.

Naziv modela možete da pronađete na nalepnici uređaja.

Najhladnija zona u frižideru

OPCIJA: Indikator temperature OK

- Indikator temperature OK se može koristiti za određivanje temperatura ispod +4 °C. Postepeno smanjite temperaturu ako znak ne pokazuje „OK“.



- Da bi se održavala ujednačena temperatura u ovoj oblasti, nemojte menjati položaj police. Kod frižidera sa protokom vazduha (uređaji sa ventilatorom ili modeli bez zaleđivanja) simbola najhladnije zone nema, jer je temperatura unutrašnjosti svuda ista.

Indikator podešavanja temperature

- Da biste dobro podesili frižider, koristite indikator temperature koji prati prosečnu temperaturu u najhladnijoj zoni.
- UPOZORENJE: Ovaj indikator je projektovan tako da funkcioniše samo sa vašim frižiderom. Nemojte ga koristiti za druge frižidere (najhladnija zona nije ista) niti u druge svrhe.

Provera temperature u najhladnijoj zoni

- Pomoću indikatora temperature možete redovno da proveravate da li je temperatura u najhladnijoj zoni ispravna. Unutrašnja temperatura frižidera zavisi od nekoliko činilaca, kao što su temperatura okruženja u prostoriji, količina hrane u uređaju i učestalost otvaranja vrata. Uzmite ove činioce u obzir kada podešavate uređaj.
- Kada indikator pokazuje „OK“, to znači da je termostat dobro podešen i da je unutrašnja temperatura odgovarajuća.
- Ukoliko indikator temperature postane BEO, to znači da je temperatura previsoka. U tom slučaju postavite podešavanje temperature frižidera na višu vrednost i sačekajte 12 sati, a zatim ponovo vizuelno proverite indikator. Kada u uređaj stavite sveže namirnice ili ostavite otvorena vrata, moguće je da će indikator temperature postati BEO posle nekog vremena.

PISMO ZAHVALE

Hvala što ste odabrali tvrtku Midea! Prije korištenja novog proizvoda tvrtke Midea temeljito pročitajte ovaj priručnik kako biste bili sigurni da znate na siguran način upravljati značajkama i funkcijama svog novog aparata.

SADRŽAJ

PISMO ZAHVALE	01
SPECIFIKACIJE	02
PREGLED PROIZVODA	03
POSTAVLJANJE PROIZVODA	05
UPUTE ZA RAD	13
ČIŠĆENJE I ODRŽAVANJE	18
RJEŠAVANJE PROBLEMA	19
DODATAK	22

SPECIFIKACIJE

Model proizvoda	MDRB548MME*
Nazivni napon/frekvencija	220-240 V-/50 Hz
Nazivna jakost struje	1,4 A
Ukupni volumen	401 l
Obujam pretinca za čuvanje svježe hrane	271 l
Volumen pretinca od četiri zvjezdice	130 l
Kapacitet zamrzavanja	8,0 kg/24 h
Vrijeme povećanja temperature	8 h
Ukupne dimenzije (Š x D x V)	595 x 670 x 1860 mm

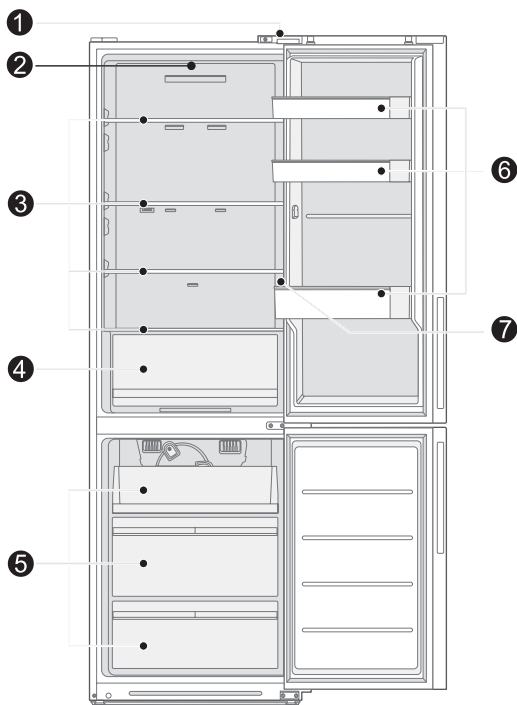
Model proizvoda	MDRB600MME*
Nazivni napon/frekvencija	220-240 V-/50 Hz
Nazivna jakost struje	1,4 A
Ukupni volumen	443 l
Obujam pretinca za čuvanje svježe hrane	313 l
Volumen pretinca od četiri zvjezdice	130 l
Kapacitet zamrzavanja	8,0 kg/24 h
Vrijeme povećanja temperature	8 h
Ukupne dimenzije (Š x D x V)	595 x 670 x 2010 mm

HR

PREGLED PROIZVODA

Nazivi komponenti

MDRB548MME*



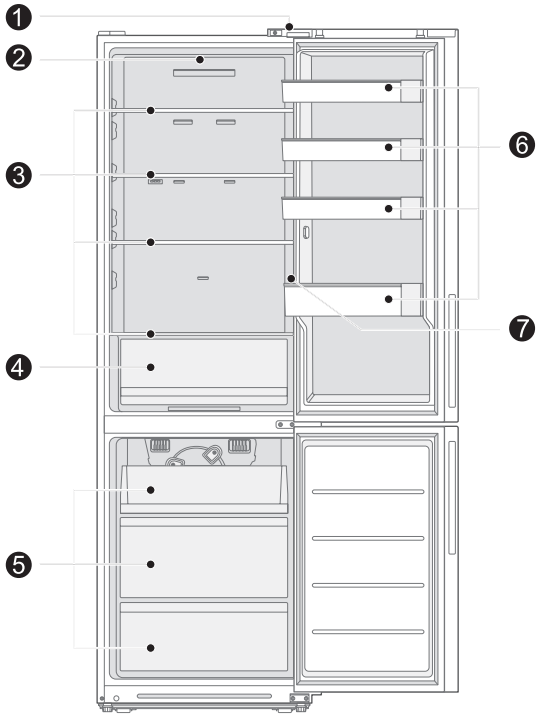
- | | | | |
|---|-------------------------|---|-------------------|
| 1 | Prekidač vrata | 5 | Ladica |
| 2 | LED svjetlo | 6 | Plitica u vratima |
| 3 | Polica | 7 | Upravljačka ploča |
| 4 | Kutija za voće i povrće | | |

● PAŽNJA

Gornja slika služi samo kao referenca. Stvarna konfiguracija ovisit će o fizičkom proizvodu ili izjavi distributera.

HR

MDRB600MME*



- | | | | |
|---|-------------------------|---|-------------------|
| 1 | Prekidač vrata | 5 | Ladica |
| 2 | LED svjetlo | 6 | Plitica u vratima |
| 3 | Polica | 7 | Upravljačka ploča |
| 4 | Kutija za voće i povrće | | |

● PAŽNJA

Gornja slika služi samo kao referenca. Stvarna konfiguracija ovisit će o fizičkom proizvodu ili izjavi distributera.

POSTAVLJANJE PROIZVODA

Upute za postavljanje

Za rashladne uređaje s klimatskim razredom

- Ovisno o klimatskom razredu, ovaj rashladni uređaj namijenjen je uporabi unutar raspona temperature navedenih u donjoj tablici.
- Klimatski razred može se pronaći na natpisnoj pločici. Proizvod možda neće ispravno raditi na temperaturama izvan navedenog raspona.
- Klimatska klasa navedena je na etiketi proizvoda.

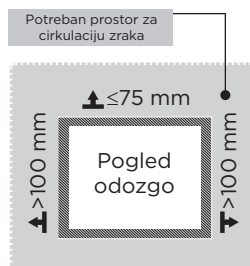
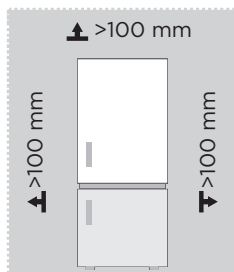
Učinkovit temperaturni raspon

- Proizvod je konstruiran za normalan rad u temperaturnom rasponu koji je određen ocjenom razreda.

Razred	Simbol	Raspon temperature okoline °C	
		IEC 62552 (ISO 15502)	ISO 8561
Prošireni umjereni	SN	od +10 do +32	od +10 do +32
Umjereni	N	od +16 do +32	od +16 do +32
Subtropski	ST	od +16 do +38	od +18 do +38
Tropski	T	od +16 do +43	od +18 do +43

Dimenzije i razmaci

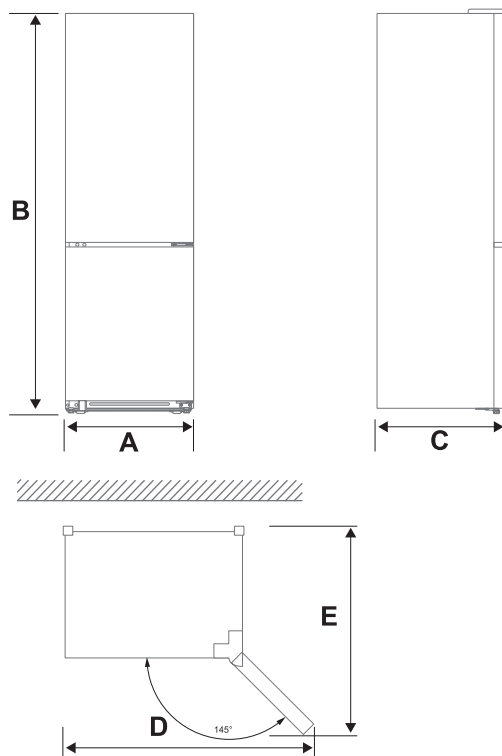
- Zrak mora slobodno cirkulirati oko kućišta. Prilikom postavljanja uređaja, s boje strane ostavite 10 cm slobodnog prostora, 10 iznad uređaja, ne više od 7,5 cm iza uređaja.



● ATTENTION

Gornja slika služi samo kao referenca. Stvarna konfiguracija ovisit će o fizičkom proizvodu ili izjavi distributera.

Dijagram zahtjeva za prostorom (kada su vrata otvorena i kada su vrata zatvorena)



HR

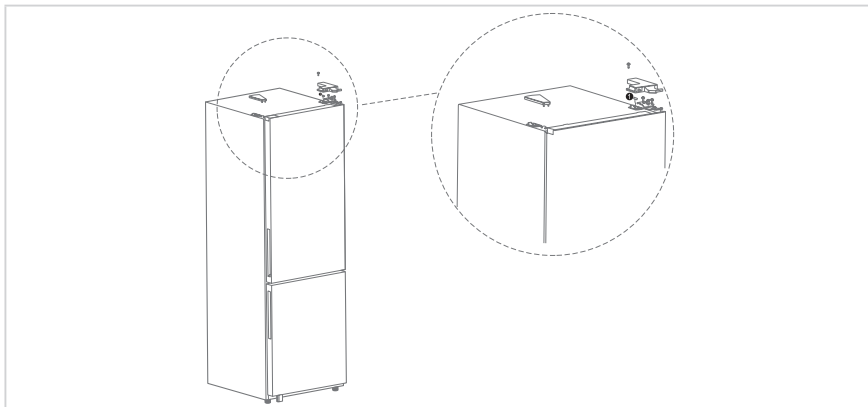
Model	Širina	Sveukupna visina	Dubina	Širina s vratima otvorenim pod kutom od 145°	Dubina s vratima otvorenim pod kutom od 145°
	A	B	C	D	E
MDRB548MME*	595	1860	670	960	1070
MDRB600MME*	595	2010	670	960	1070

Napomena: Sve dimenzije u mm

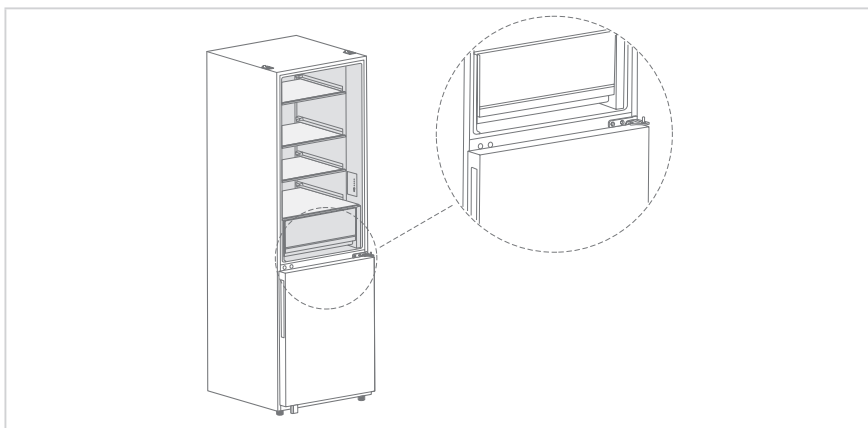
Okretanje vrata

Ovisno o mjestu na kojem planirate koristiti hladnjak, možda će vam biti zgodnije obrnuti položaj vrata.

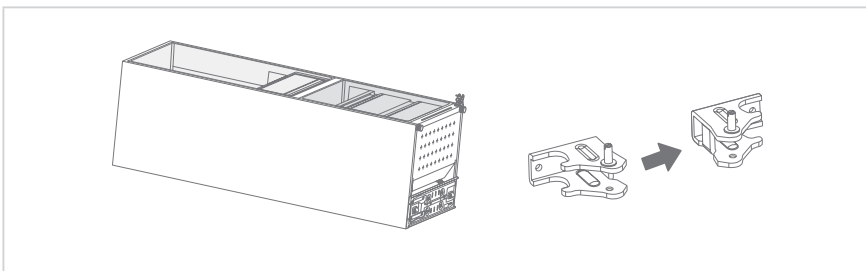
1. Uklonite sve predmete s tijela vrata.
2. Uklonite poklopac gornje lijeve šarke, poklopac gornje desne šarke, gornju desnu šarku, odspojite signalnu liniju na vrhu desne strane tijela hladnjaka (1 signalna linija).



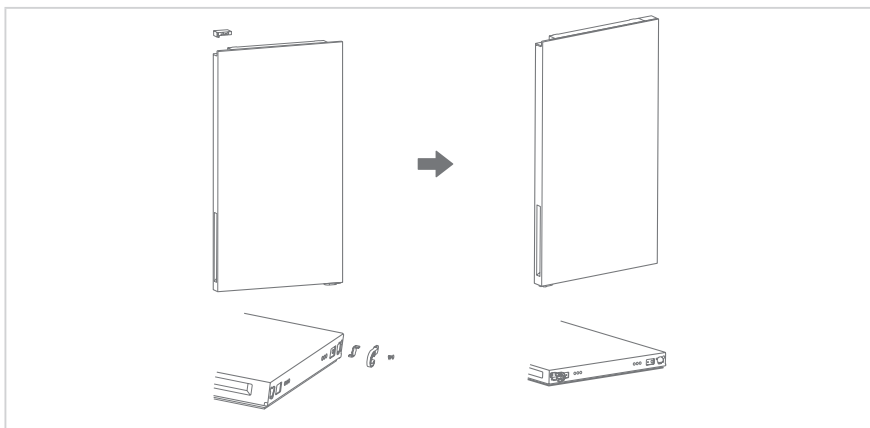
3. Uklonite tijelo vrata hladnjaka (pazite da ne izgubite male dijelove kao što su stoperi vrata). Uklonite srednju šarku koja će služiti za rezervu i uklonite dekorativni poklopac otvora šarke, čep i vijke s druge strane.



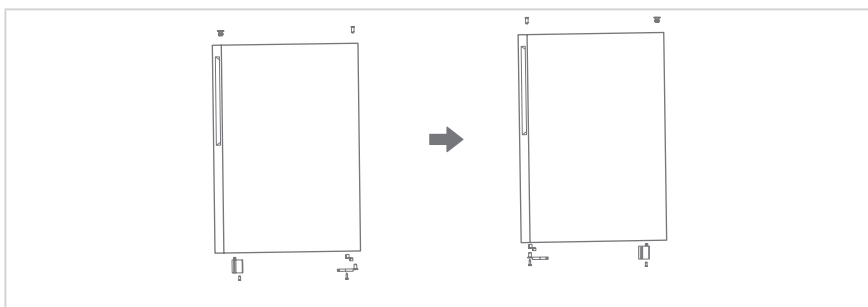
4. Uklonite tijelo vrata zamrzivača (pazite da ne izgubite male dijelove kao što su čahure osovine i stoperi vrata). Uklonite donju šarku, uklonite donju osovinu šarke i postavite je na drugu stranu šarke, uklonite donju šarku, donju osovinu šarke i postavite je na drugu stranu šarke za rezervu.



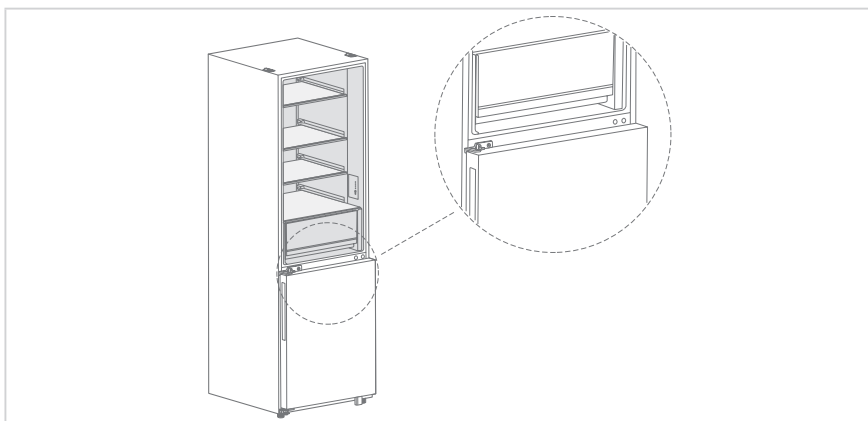
5. Zamjena vrata hladnjaka. Uklonite lijevi ukrasni poklopac, uklonite desni ukrasni poklopac iz vrećice s dodatnim priborom i postavite ga na drugu stranu gornjeg poklopca. Uklonite mehanizam za samozaključavanje vrata hladnjaka, zaustavljanje vrata, uklonite mehanizam za samozaključavanje lijevih vrata iz vrećice s dodatnim priborom i postavite stoper vrata i mehanizam za samozaključavanje lijevih vrata na lijevu stranu poklopca donjeg kraja.



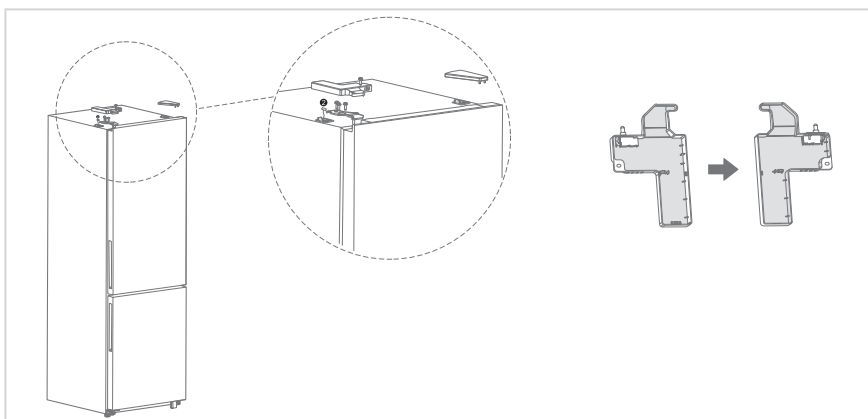
6. Prekidač vrata zamrzivača. Uklonite gornji rukavac čepa vrata zamrzivača i postavite čep u lijevi i desni izmjenjivi položaj. Uklonite mehanizam za samozaključavanje vrata zamrzivača, stoper vrata i potporanj vrata, uklonite mehanizam za samozaključavanje lijevih vrata iz pribora, postavite stoper vrata i lijeva vrata mehanizam za samozaključavanje na lijevu stranu donjeg poklopca zamrzivača i postavite nosač vrata na desnu stranu poklopca donjeg kraja zamrzivača.



7. Ugradite srednju šarku i postavite vrata hladnjaka na srednju šarku, a zatim ugradite donju šarku te postavite ukrasni poklopac otvora šarke.



8. Uklonite poklopac gornje lijeve šarke iz vrećice s dodatnim priborom, lijevu gornju šarku, uklonite prekidač postavljen na poklopac desne šarke i postavite ga na poklopac gornje lijeve šarke. Postavite tijelo vrata hladnjaka na srednju šarku i postavite lijevu gornju šarku; spojite gornju signalnu liniju ② na lijevoj strani hladnjaka i prekidač na poklopac lijeve šarke, pokrijte i učvrstite poklopac lijeve šarke i na kraju postavite ukrasni poklopac šarke na desnu stranu tijela hladnjaka.



💡 ATTENTION

Zbog tehničkih promjena i različitih modela neke od ilustracija u ovom priručniku mogu se razlikovati od vašeg modela.

- Provjerite je li vaš hladnjak isključen i prazan.
- Neka vam netko pomogne u postavljanju.
- Sačuvajte sve dijelove koje ste uklonili kako biste ih kasnije mogli ponovno upotrijebiti.



Nožice za niveliranje

Uređaj trebate poravnati (nivelirati) kako bi se izbjegle vibracije.

Ako je potrebno, podesite vijke za niveliranje kako biste kompenzirali neravnine poda.

Prednja strana treba biti malo viša od stražnje radi lakšeg zatvaranja vrata.

Vijci za niveliranje mogu se lako okrenuti laganim naginjanjem kućišta.

Vijke za niveliranje okrećite u smjeru suprotnom od kazaljke na satu  za podizanje uređaja, a u smjeru kazaljke na satu  za spuštanje.

Premještanje uređaja

1. Izvadite svu hranu iz uređaja.
2. Izvucite strujni utikač, umetnite utikač u kuku utikača na stražnjoj ili gornjoj strani uređaja.
3. Zalijepite dijelove kao što su police i ručka na vratima kako ne bi otpale tijekom premještanja uređaja.
4. Pažljivo premještajte uređaj s više od dvije osobe. Kada prenosite uređaj na velike udaljenosti, držite ga uspravno.
5. Nakon postavljanja uređaja, uključite utikač u utičnicu kako biste uključili uređaj.

ATTENTION

Mjere predostrožnosti prije rada:

Prije provođenja izmjena hladnjak morate isključiti iz napajanja.

Valja se pridržavati mjera opreza kako bi se spriječile ozljede.

Zamjena žaruljice

- Bilo kakvu zamjenu ili održavanje LED svjetiljki treba izvršiti proizvođač, njegov servis ili slična kvalificirana osoba.

ATTENTION

Ovaj proizvod sadrži izvor svjetlosti klase energetske učinkovitosti (G).

Priključivanje uređaja

Nakon instaliranja uređaja, ukopčajte utikač u utičnicu.

ATTENTION

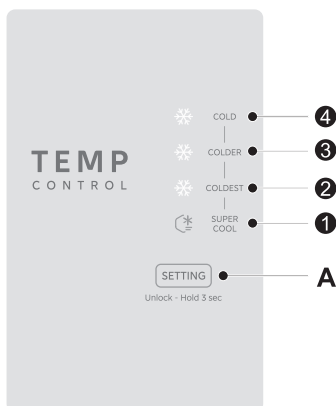
Nakon priključivanja kabela strujnog napajanja (ili utikača) na utičnicu, pričekajte 2 ili 3 sata prije nego stavite hranu u uređaj. Ako stavite hranu prije nego što se uređaj potpuno ohladi, hrana bi se mogla pokvariti.

Savjeti za uštedu energije

- Uređaj ne postavljajte blizu kuhala, radijatora ili drugih izvora topline. Ako je temperatura okoline visoka, kompresor će češće i dulje raditi i tako trošiti više električne energije.
- Pazite da postoji dovoljno ventilacije ispod baze uređaja te na bočnim i stražnjoj strani uređaja. Otvore za ventilaciju nikad nemojte pokrivati.
- Također se pridržavajte razmaka u poglavlju „Postavljanje“.
- Raspored ladica, polica i stalaka, kao što je prikazan na slici, osigurava najučinkovitiju potrošnju energije i stoga se do najveće moguće mjere treba zadržati. Sve ladice i police trebaju ostati u uređaju da bi se održavala stabilna temperatura i štedjela energija.
- Za postizanje većeg prostora za pohranu (npr. za veće ohlađene/zamrznute namirnice) srednje ladice mogu se izvaditi. Gornja i donja ladica i police trebaju se posljednje izvaditi, ako je potrebno.
- Ravnomjerno ispunjen pretinac hladnjaka/zamrzivača doprinosi optimalnoj potrošnji energije. Stoga izbjegavajte prazne ili poluprazne pretince.
- Pustite da se topla hrana ohladi prije nego što je stavite u hladnjak/zamrzivač. Hrana koja je već ohlađena povećava energetska učinkovitost.
- Pustite da se zamrznuta hrana odmrzne u hladnjaku. Hladnoća zamrznute hrane smanjuje potrošnju energije u pretincu hladnjaka i stoga povećava energetska učinkovitost.
- Otvarajte vrata samo koliko je potrebno kako biste minimizirali gubitak hladnoće. Kratko otvaranje i ispravno zatvaranje vrata smanjuje potrošnju energije.
- Brtve na vratima uređaja moraju biti u savršenom stanju kako bi se vrata ispravno zatvarala i kako se potrošnja energije ne bi nepotrebno povećavala.

UPUTE ZA RAD

Upravljačka ploča



Gumb

A Gumb za podešavanje temperature

Zaslon

1	LED1 (SUPER HLAĐENJA)
2	LED2 (2 °C/NAJHLADNIJI)
3	LED3 (4 °C/HLADNIJE)
4	LED4 (8 °C/HLADNA)

HR

Zaslon

- Prilikom prvog uključivanja prikazat će se u potpunosti 3 sekunde, a zatim normalno; (prvi put okrenite kotačić na 4 °C).
- Kada dođe do problema, prikazuje se kod problema (u načinu prikaza ciklusa). U normalnom stanju prikazuje se podešeni stupanj hladnjaka umjesto koda problema.
- U normalnim okolnostima nakon 15 sekundi bez pritiska tipke postavka će stupiti na snagu.

Zaključavanje i otključavanje

- Pritisnite i 3 sekunde držite za otključavanje, LED će treperiti kako bi prikazao da je otključavanje uspješno, a automatski se zaključava nakon 15 sekundi bez pritiska tipke.

● PAŽNJA

Stvarna upravljačka ploča može se razlikovati ovisno o modelu.

Upute za rukovanje

Podešavanje temperature

- Jednom pritisnite gumb SETTING za promjenu postavke temperature.
- Podesite okretanjem gumba na: LED4 - > LED3 - > LED2 - > LED1 - > LED4

Način brzog hlađenja

Unos načina rada:

- Pritisnite tipku za regulaciju temperature kako biste osvijetlili LED1.

Način rada:

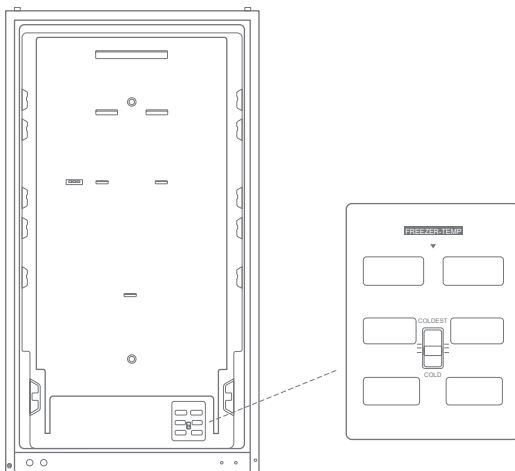
- kompresor radi na maksimalnoj brzini trenutne temperature okoline.
- ventilator radi na trenutnoj brzini -1 stupanj (Prioritet je niži od preopterećenja).
- Pokrenite u skladu s početnom i zaustavnom točkom brzog hlađenja kotačića za 2 stupnja i nemojte odmrzavati tijekom razdoblja brzog zamrzavanja (osim za odmrzavanje nakon uključivanja).
- Odmrzavanje nakon završetkabrzog hlađenja.

Izlaz iz načina rada:

- Prilagodite temperaturu za izlaz iz načina brzog hlađenja.
- Izadite nakon 16 sati rada u načinu brzog hlađenja.

Podešavanje lopatice zračnog kanala

Okrenite klizač prigušnika zraka prema gore i temperatura unutar zamrzivača će se smanjiti; okrenite klizač prigušnika zraka prema dolje i temperatura unutar zamrzivača će porasti.



Kod pogreške

- Sljedeća upozorenja koja se pojavljuju na zaslonu ukazuju na odgovarajuće kvarove hladnjaka. Iako uređaj može hladiti i zamrzavati i uz sljedeće pogreške, obratite se stručnoj osobi zadržavanje koja će ga popraviti i tako osigurati normalan rad hladnjaka.

Oznaka kvara	Opis kvara
LED 1 i LED2 trepere	Pogreška senzora temperature hladnjaka
LED 1 i LED3 trepere	Pogreška senzora odmrzavanja zamrzivača
LED 1 i LED4 trepere	Kvar senzora okolne temperature

Savjeti za čuvanje hrane

Pretinac zamrzivača


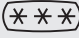


- Zamrzivač je namijenjen čuvanju hrane zamrznute na vrlo niskoj temperaturi, dugotrajnom čuvanju zamrznute hrane i proizvodnji leda.
- Police na vratima u vratima zamrzivača upotrebljavajte samo za čuvanje zamrznute hrane, ne za čuvanje vruće hrane namijenjene za zamrzavanje.
- Nemojte stavljati svježu i zamrznutu hranu jednu pokraj druge. Zamrznuta hrana može se odmrznuti.
- Prilikom zamrzavanja svježe hrane (kao što su meso, riba ili mljeveno meso) izrežite je na dijelove koji se mogu odjednom koristiti.
- Pohrana zamrznute hrane: upute se uglavnom nalaze na pakiranjima i moraju se slijediti. Ako na pakiranju nema informacija, hranu ne biste trebali čuvati dulje od tri mjeseca od datuma kupnje.
- Kad kupujete zamrznutu hranu, provjerite je li zamrznuta na prikladnoj temperaturi i je li pakiranje neoštećeno.
- Zamrznutu hranu treba čuvati u prikladnom pakiranju kako bi se očuvala kvaliteta i treba je vratiti u pretinac zamrzivača što je prije moguće.
- Ako se na pakiranju zamrznute hrane nalazi vlaga ili je nabubrena, vjerojatno je bila pohranjena na pogrešnoj temperaturi i sadržaj je pokvaren.
- Razdoblje čuvanja zamrznute hrane ovisi o sobnoj temperaturi, postavci termostata, učestalosti otvaranja vrata zamrzivača, vrsti hrane i vremenu prijevoza proizvoda iz trgovine do kućanstva. Uvijek slijedite upute tiskane na pakiranju i nikad ne premašujte maksimalno vrijeme čuvanja navedeno na pakiranju.

Pretinac za hlađenje

- Kako biste smanjili vlagu i posljedično nakupljanje leda, tekućinu nikad ne stavljajte u hladnjak u nezatvorenim spremnicima. Inje je obično koncentrirano na najhladnijim dijelovima isparivača. Čuvanje nepokrivenih tekućina dovodi to češće potrebe za odmrzavanjem.
- U hladnjak nikad ne stavljajte toplu hranu. Nju najprije trebate ohladiti na sobnu temperaturu, a zatim je postaviti tako da osigurate odgovarajuću cirkulaciju zraka u hladnjaku.
- Hrana ili spremnici s hranom ne smiju dodirivati stražnju stijenku hladnjaka jer bi se mogli zamrznuti i zalijepiti za nju. Nemojte često otvarati vrata hladnjaka.
- Meso i očišćena riba (pakirano u paket ili u plastičnu foliju) mogu se postaviti u hladnjak i mogu se upotrijebiti za 1 – 2 dana.
- Voće i povrće bez pakiranja može se postaviti u dio namijenjen svježem voću i povrću.

ATTENTION

Optimalna postavka temperature svakog pretinca ovisi o temperaturi okoline. Temperatura je iznad optimalne ako je temperatura okoline 25 °C.

Redoslijed	TIP pretinca	Ciljna temp. pohrane [°C]	Prikladna hrana
1	Hladnjak	$+2 \leq x \leq +8$	Jaja, kuhana hrana, pakirana hrana, voće i povrće, mliječni proizvodi, kolači, pića i druga hrana koja nije prikladna za zamrzavanje.
2	 Ocjena zamrzavanja četiri zvjezdice	$x \leq -18$	S kapacitetom zamrzavanja, velikom brzinom zamrzavanja, može brzo zamrznuti i pohraniti hranu. Prikladno za zamrznutu svježu hranu kao što su plodovi mora (riba, škampi, školjke), slatkovodnu ribu i mesne proizvode. Preporuča se 3 - 6 mjeseci, što je duže vrijeme skladištenja, lošiji je okus i hranjiva vrijednost.
3	 Ocjena zamrzavanja tri zvjezdice	$x \leq -18$	S kapacitetom zamrzavanja. Prikladno za zamrznutu svježu hranu kao što su plodovi mora (riba, škampi, školjke), slatkovodnu ribu i mesne proizvode. Preporučuje se kraće od 3 mjeseca.
4	 Ocjena zamrzavanja dvije zvjezdice	$x \leq -12$	Prikladno samo za srednjoročno čuvanje već zamrznute hrane, npr. sladoleda. Preporučuje se kraće od 1 mjeseca.
5	 Ocjena zamrzavanja jedna zvijezdica	$x \leq -6$	Prikladno samo za hlađenje i kratkotrajno čuvanje malih količina već zamrznute hrane. Preporučuje se ne dulje od 1 tjedna.
6	0-zvjezdica	$-6 \leq x \leq 0$	Svježa svinjetina, govedina, riba, piletina, neka pakirana procesirana hrana itd. (Preporučuje se da je pojedete u istom danu, u ne više od 3 dana). Djelomično inkapsulirana obrađena hrana (hrana koja se ne zamrzava).
7	Hlađenje	$-2 \leq x \leq +3$	Svježa/zamrznuta svinjetina, govedina, piletina, slatkovodni proizvodi itd. (7 dana ispod 0 °C, a iznad 0 °C preporučuje se za konzumiranje isti dan, u ne više od 2 dana). Plodovi mora - 15 dana ispod 0 °C, ne preporučuje se čuvanje na temperaturi iznad 0 °C.
8	Svježa hrana	$0 \leq x \leq +4$	Svježa svinjetina, govedina, riba, piletina, kuhana hrana itd. (Preporučuje se da je pojedete u istom danu, u ne više od 3 dana)
9	Vino	$+5 \leq x \leq +20$	Crno vino, bijelo vino, pjenušac itd.

HR

ATTENTION

Raznu hranu čuvajte u skladu s pretincima ili ciljanim temperaturama čuvanja kupljenog proizvoda.

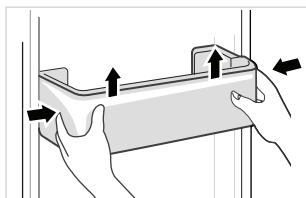
ČIŠĆENJE I ODRŽAVANJE

Odmrzavanje

- Hladnjak je proizveden na temelju hlađenja zrakom i stoga ima funkciju odmrzavanja. Inje nastalo zbog promjene godišnjeg doba ili temperature može se ukloniti i ručnim isključivanjem uređaja iz napajanja ili brisanjem suhim ručnikom.

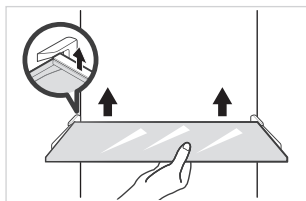
Čišćenje ladice vrata

- Prema strelici smjera na donjoj slici, upotrijebite obje ruke ladicu i gurnite je prema gore, a zatim je možete izvaditi.
- Nakon što ste izvadili ladicu nakon što ste je izvadili, možete prilagoditi njezinu visinu ugradnje u skladu sa svojim zahtjevima.



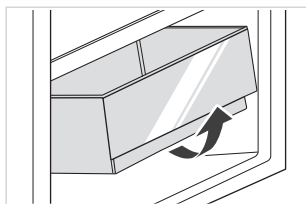
Čišćenje staklene police

- Kako unutarnji dio obloge hladnjaka gdje kontakt s policama ima zapornicu, podignite police prema gore, a zatim je možete izvaditi.
- Podesite ili očistite police prema vašim zahtjevima.



Čišćenje ladice za povrće

1. Ispraznite ladicu. Držite ručku ladice za povrće i potpuno je izvucite dok se ne zaustavi.
2. Podignite ladicu za povrće i izvucite je van.



● ATTENTION

Za čišćenje se preporučuju mekani ručnici ili spužva umočeni u vodu i nekorozivni neutralni deterdženti. Zamrzivač konačno očistite čistom vodom i suhom krpom. Otvorite vrata za prirodno sušenje prije nego što se napajanje uključi. Ne upotrebljavajte tvrde četke, čiste čelične kuglice, žičane četke, abrazive, kao što su paste za zube, organska otapala (poput alkohola, acetona, banana ulje itd.), kipuću vodu, kiseline ili alkalne predmete čistite hladnjak s obzirom da to može oštetiti površina i unutrašnjost hladnjaka.

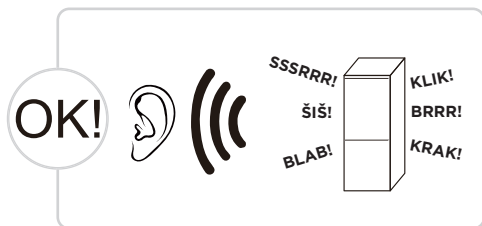
RJEŠAVANJE PROBLEMA

Sljedeće probleme možete pokušati riješiti sami. Ako ne uspijete, molimo da se obratite ovlaštenom servisu.

Problem	Mogući razlog
Neispravan rad	• Provjerite je li uređaj priključen na struju te ima li utikač kontakt
	• Provjerite je li napon pre nizak
	• Provjerite postoji li prekid napajanja ili su se isključili neki djelomični krugovi
Neugodan miris	• Hrana s mirisom mora biti čvrsto zamotana
	• Provjerite ima li trule hrane
	• Očistite unutrašnjost hladnjaka.
Dugotrajan rad kompresora	• Dugotrajan rad hladnjaka normalan je ljeti kada je temperatura okoline visoka
	• Nije sugestivno imati previše hrane u uređaju istodobno
	• Hrana će se ohladiti prije stavljanja u uređaj
Svjetlo se ne pali	• Vrata se prečesto otvaraju
	• Provjerite je li hladnjak priključen na napajanje i je li svjetlo oštećeno
	• Zamjenu svjetla prepustite stručnjaku
Vrata se ne mogu pravilno zatvoriti	• Vrata su zaglavljena paketima hrane
	• Hladnjak je nagnut.
Glasna buka	• Provjerite je li pod ravan i je li hladnjak stabilno postavljen
	• Provjerite nalazi li se pribor na ispravnim mjestima

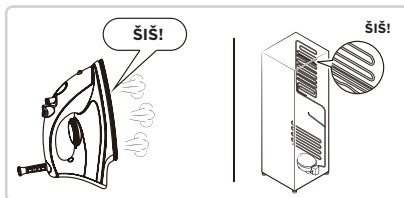
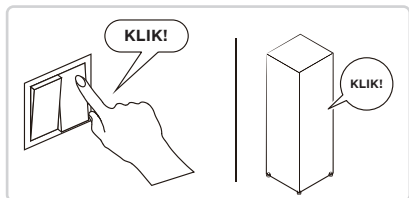
Problem	Mogući razlog
Brtva vrata nije čvrsta	<ul style="list-style-type: none"> • Uklonite strane stvari s brtve vrata • Zagrijte brtvu vrata, a zatim je ohladite za restauraciju (zagrijte je električnim sušilom ili koristite vrući ručnik za zagrijavanje)
Posuda za vodu se prelijeva	<ul style="list-style-type: none"> • U komori ima previše hrane ili pohranjena hrana sadrži previše vode, što rezultira intenzivnim odmrzavanjem • Vrata nisu ispravno zatvorena, što rezultira zamrzavanjem zbog ulaska zraka i povećanom količinom vode zbog odmrzavanja
Vruće kućište	<ul style="list-style-type: none"> • Odvođenje topline ugrađenog kondenzatora preko kućišta, što je normalno. Kada se kućište zagrije zbog visoke temperature okoline, skladištenja previše hrane ili isključivanja kompresora, osigurajte razumnu ventilaciju kako biste olakšali odvođenje topline
Površinska kondenzacija	<ul style="list-style-type: none"> • Kondenzacija na vanjskoj površini i brtvama vrata hladnjaka normalna je kad je vlažnost okoline previsoka. Dovoljno je obrisati kondenzat čistim ručnikom.
Neuobičajena buka	<ul style="list-style-type: none"> • Zvuk zujanja: Kompresor može stvarati zvuk zujanja tijekom rada, koji je posebno jak pri pokretanju ili zaustavljanju. To je normalno. • Škripanje: Rashladno sredstvo koje teče unutar uređaja može uzrokovati škripanje što je normalno.

Čujete li dolje navedene nenormalne zvukove? Obično je normalno čuti ove zvukove.



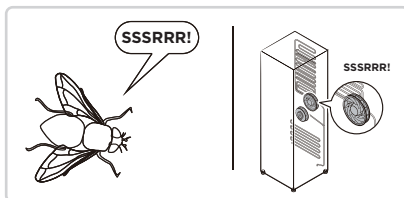
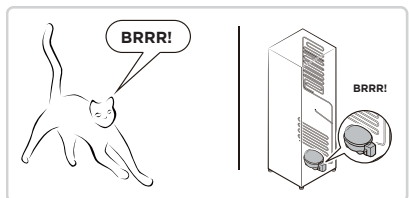
KLIK: Neki električni dijelovi u hladnjaku, poput električnog ventila, stvarat će buku u radu. To je normalno.

ŠIŠTANJE: Kad rashladno sredstvo teče u isparivač, nastat će buka. To je normalno.



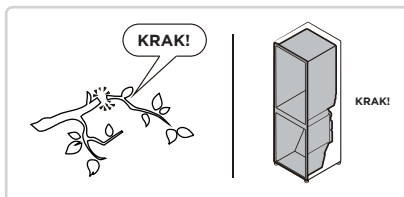
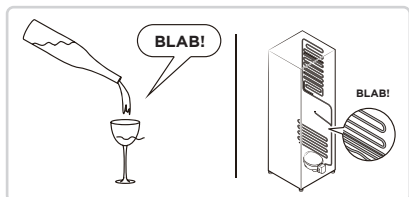
BRRR: Kompresor će stvarati buku u radu, a zujanje je posebice glasno prilikom pokretanja. To je normalno.

SSSRRR: Motor ventilatora u hladnjaku bez inja stvarat će buku u radu. To je normalno.



BLAB: Ovu buku stvara rashladno sredstvo koje teče kroz cijevi. To je normalno.

KRAK: Zvuk pucketanja ili lomljenja leda: cijela struktura je hladnjak, inje u zračnim vodovima proizvodit će zvuk uslijed toplinskog širenja ili skupljanja i to je potpuno normalan fizički fenomen.



DODATAK

Posebno za novi europski standard

Naručeni dijelovi u sljedećoj tablici mogu se nabaviti putem kanala davatelja usluga

Naručeni dio	Pružatelj	Minimalno vrijeme potrebno za nabavu
Termostati	Stručno osoblje za održavanje	Najmanje 7 godina nakon što je posljednji model lansiran na tržište
Senzori temperature	Stručno osoblje za održavanje	Najmanje 7 godina nakon što je posljednji model lansiran na tržište
Tiskane pločice	Stručno osoblje za održavanje	Najmanje 7 godina nakon što je posljednji model lansiran na tržište
Izvori svjetla	Stručno osoblje za održavanje	Najmanje 7 godina nakon što je posljednji model lansiran na tržište
Ručke na vratima	Profesionalni serviseri i krajnji korisnici	Najmanje 7 godina nakon što je posljednji model lansiran na tržište
Šarke na vratima	Profesionalni serviseri i krajnji korisnici	Najmanje 7 godina nakon što je posljednji model lansiran na tržište
Plitice	Profesionalni serviseri i krajnji korisnici	Najmanje 7 godina nakon što je posljednji model lansiran na tržište
Košare	Profesionalni serviseri i krajnji korisnici	Najmanje 7 godina nakon što je posljednji model lansiran na tržište
Brtve vrata	Profesionalni serviseri i krajnji korisnici	Najmanje 10 godina nakon što je posljednji model lansiran na tržište

Poštovani kupče

1. Ako želite vratiti ili zamijeniti proizvod, kontaktirajte trgovinu u kojoj kupujete. (Ne zaboravite ponijeti račun za kupnju)
2. Ako se vaš proizvod pokvari i treba ga popraviti, kontaktirajte davatelja usluga nakon prodaje.

PAŽNJA

Informacije o modelu u bazi podataka o proizvodu, kao i identifikator modela, mogu se dobiti putem web-poveznice skenirane QR kodom, ako postoji, na naljepnici energetske učinkovitosti proizvoda.

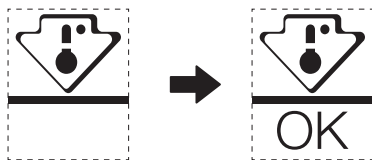
Više informacija o energetske učinkovitosti aparata možete pronaći na stranici <https://ec.europa.eu> na kojoj možete pretraživati prema nazivu modela.

Naziv modela možete pronaći na pločici s nazivnim podacima aparata.

Najhladnija zona u hladnjaku

OPCIJA: OK – indikator temperature

- OK-indikator temperature može se koristiti za određivanje temperatura ispod +4 °C. Postupno smanjite temperaturu ako znak ne pokazuje „OK“.



- Kako biste osigurali temperaturu u tom području, nemojte mijenjati položaj police. Hladnjaci s hlađenjem pod pritiskom (opremljeni ventilatorom ili „No Frost“ modeli bezinja), simbol najhladnije zone nije predstavljen jer je unutarnja temperatura homogena.

Postavka indikatora temperature

- Kao pomoć pri pravilnom postavljanju hladnjaka imate indikator temperature koji će pratiti prosječnu temperaturu u najhladnijoj zoni.
- UPOZORENJE: Ovaj indikator namijenjen je isključivo radu s vašim hladnjakom, nemojte ga koristiti na drugom hladnjaku (najhladnija zona nije ista) ili za drugu namjenu.

Provjera temperature u najhladnijoj zoni

- Indikator temperature omogućuje redovitu provjeru je li temperatura najhladnije zone točna. Zaista, unutarnja temperatura hladnjaka ovisi o nekoliko čimbenika kao što su temperatura u prostoriji, količina hrane i učestalost otvaranja vrata. Kod postavljanja uređaja razmotrite te čimbenike.
- Kad indikator prikazuje „OK“, to znači da je termostat dobro podešen i da je unutarnja temperatura ispravna.
- Ako indikator temperature postane bijeli, to znači da je temperatura previsoka, u tom slučaju povećajte postavku kontrole temperature hladnjaka i pričekajte 12 sati prije novog vizualnog pregleda indikatora. Kad stavite svježu hranu ili ostavite vrata otvorena, moguće je da će nakon nekog vremena indikator postati BIJELI.

KÖSZÖNŐLEVÉL

Köszönjük, hogy a Mideát választotta! Mielőtt használná az új Midea készülékét, kérjük, olvassa el figyelmesen ezt az útmutatót, hogy tudja, hogyan működtetheti biztonságosan az új készüléke által kínált funkciókat.

TARTALOM

KÖSZÖNŐLEVÉL	01
MŰSZAKI JELLEMZŐK	02
A TERMÉK ÁTTEKINTÉSE	03
A KÉSZÜLÉK ÜZEMBE HELYEZÉSE	05
ÜZEMELTETÉSI UTASÍTÁSOK	12
TISZTÍTÁS ÉS KARBANTARTÁS	17
HIBAELHÁRÍTÁS	18
MELLÉKLET	21

MŰSZAKI JELLEMZŐK

Terméktípus	MDRB548MME*
Névleges feszültség/frekvencia	220-240 V- / 50 Hz
Névleges áramerősség	1,4 A
Teljes térfogat	401 l
Frissélelmiszer-rekesz térfogata	271 l
Négycsillagos rekesz térfogata	130 l
Fagyasztási kapacitás	8,0 kg / 24 óra
Hőmérséklet-emelkedési idő	8 óra
Külső méretek (Sz x Mé x Ma)	595 x 670 x 1860 mm

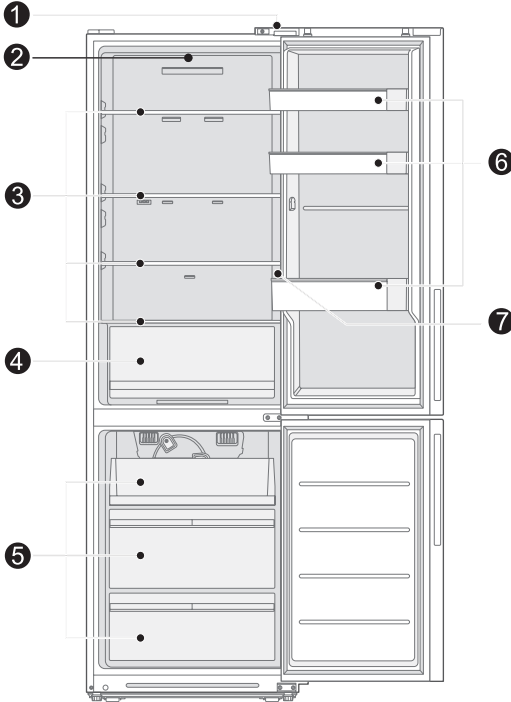
Terméktípus	MDRB600MME*
Névleges feszültség/frekvencia	220-240 V- / 50 Hz
Névleges áramerősség	1,4 A
Teljes térfogat	443 l
Frissélelmiszer-rekesz térfogata	313 l
Négycsillagos rekesz térfogata	130 l
Fagyasztási kapacitás	8,0 kg / 24 óra
Hőmérséklet-emelkedési idő	8 óra
Külső méretek (Sz x Mé x Ma)	595 x 670 x 2010 mm

HU

A TERMÉK ÁTTEKINTÉSE

Alkatrész neve

MDRB548MME*

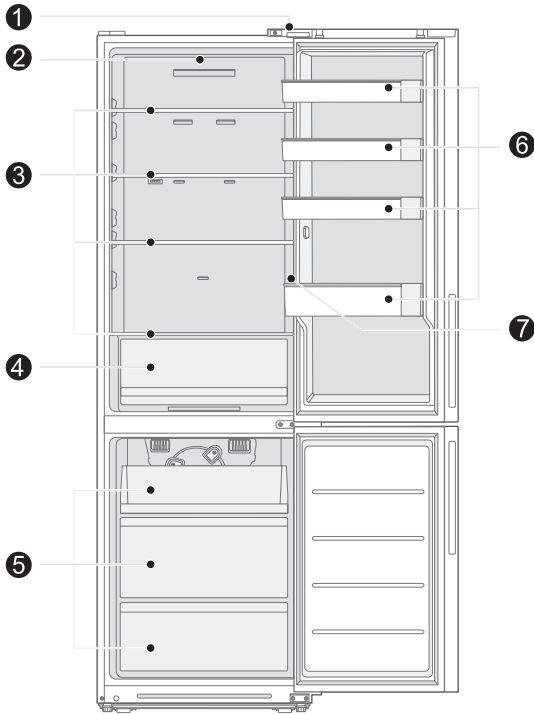


- | | | | |
|---|-----------------------------|---|--------------|
| 1 | Ajtókapcsoló | 5 | Fiók |
| 2 | LED-lámpa | 6 | Ajtórekesz |
| 3 | Polc | 7 | Vezérlőpanel |
| 4 | Zöldség- és gyümölcs tároló | | |

FIGYELEM

A fenti ábra csak tájékoztató jellegű. A tényleges konfiguráció az adott terméktől vagy a forgalmazó terméknyilatkozatától függ.

MDRB600MME*



- | | | | |
|---|-----------------------------|---|--------------|
| 1 | Ajtókapcsoló | 5 | Fiók |
| 2 | LED-lámpa | 6 | Ajtórekesz |
| 3 | Polc | 7 | Vezérlőpanel |
| 4 | Zöldség- és gyümölcs tároló | | |

FIGYELEM

A fenti ábra csak tájékoztató jellegű. A tényleges konfiguráció az adott terméktől vagy a forgalmazó terméknyilatkozatától függ.

A KÉSZÜLÉK ÜZEMBE HELYEZÉSE

Üzembe helyezési utasítások

Klímaosztállyal rendelkező hűtőgépekhez

- A klímaosztálytól függően ezt a hűtőkészüléket az alábbi táblázatban meghatározott környezeti hőmérséklettartományban kell használni.
- A klímaosztály a típusablán található. Előfordulhat, hogy a termék nem működik megfelelően a meghatározott tartományon kívül.
- A klímaosztályt a termék címkén találja.

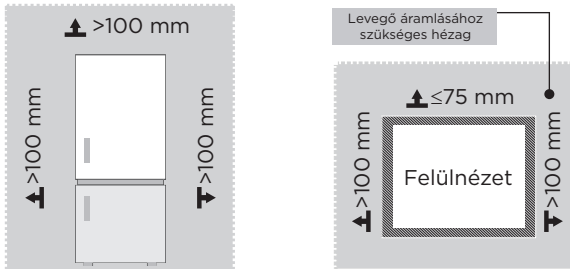
Hatékony hőmérséklet-tartomány

- A terméket úgy alakították ki, hogy rendeltetésszerűen működjön az osztálybesorolásában meghatározott tartományban.

Osztály	Szimbólum	Környezeti hőmérsékleti tartomány °C	
		IEC 62552 (ISO 15502)	ISO 8561
Kiterjesztett mérsékelt	SN	+10 és +32 között	+10 és +32 között
Mérsékelt	N	+16 és +32 között	+16 és +32 között
Szubtrópusi	ST	+16 és +38 között	+18 és +38 között
Trópusi	T	+16 és +43 között	+18 és +43 között

Méretek és térközök

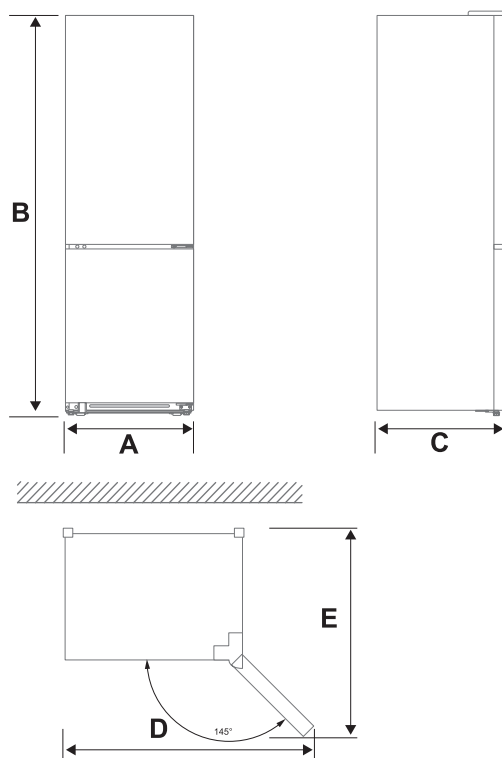
- Biztosítsa a szabad légáramlást a szekrény körül. A készülék telepítésekor biztosítson 10 cm-nyi szabad helyet mindkét oldalon és az egység teteje felett, valamint legalább 7,5 cm-t a hátuljánál.



ATTENTION

A fenti ábra csak tájékoztató jellegű. A tényleges konfiguráció az adott terméktől vagy a forgalmazó terméknyilatkozatától függ.

Ábra a helyigényről (nyitott és csukott ajtó mellett)



HU

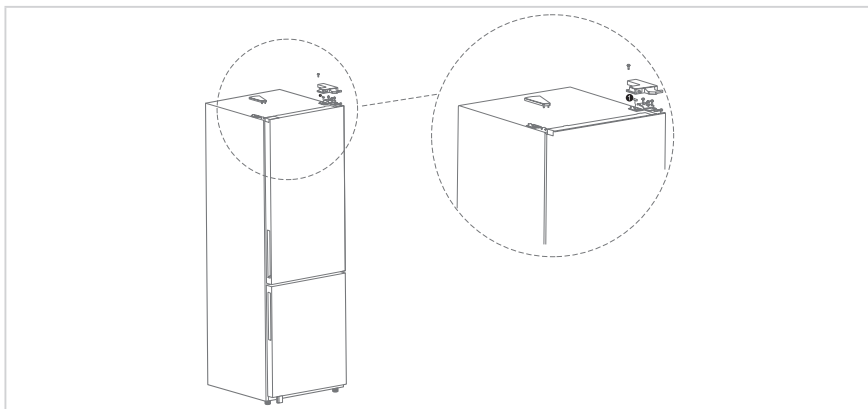
Modell	Szélesség	Teljes magasság	Mélység	Szélesség 145°-ban nyitott ajtónál	Mélység 145°-ban nyitott ajtónál
	A	B	C	D	E
MDRB548MME*	595	1860	670	960	1070
MDRB600MME*	595	2010	670	960	1070

Figyelem: Az összes méret mm-ben van megadva

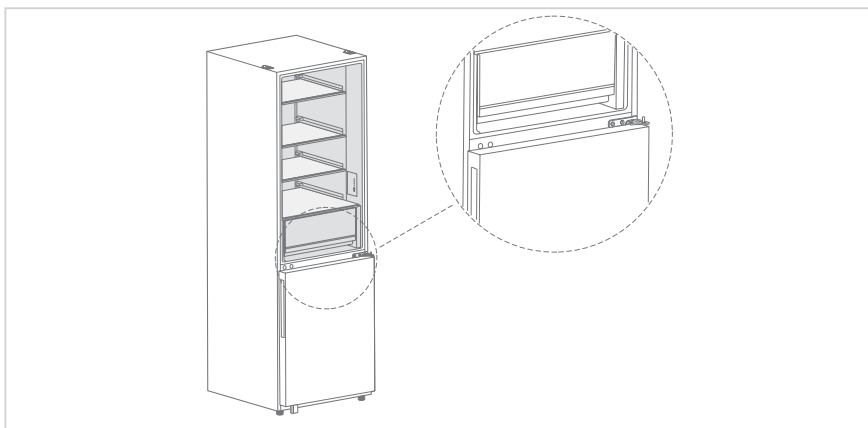
Ajtó megfordítása

Attól függően, hogy hol kívánja használni a hűtőszekrényt, praktikus lehet átfordítani az ajtó helyzetét.

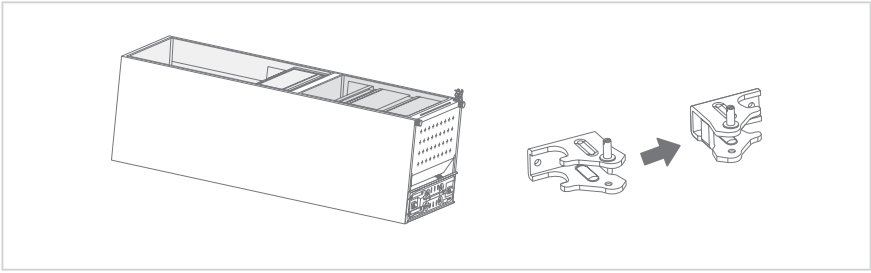
1. Távolítsa el minden tárgyat az ajtóról.
2. Távolítsa el a bal felső zsanérfedél dekorfedelét, a jobb felső zsanérfedelelet, a jobb felső zsanért, és csatlakoztassa le a jelvezetékét a hűtőszekrény jobb felső oldalán (1 jelvezeték).



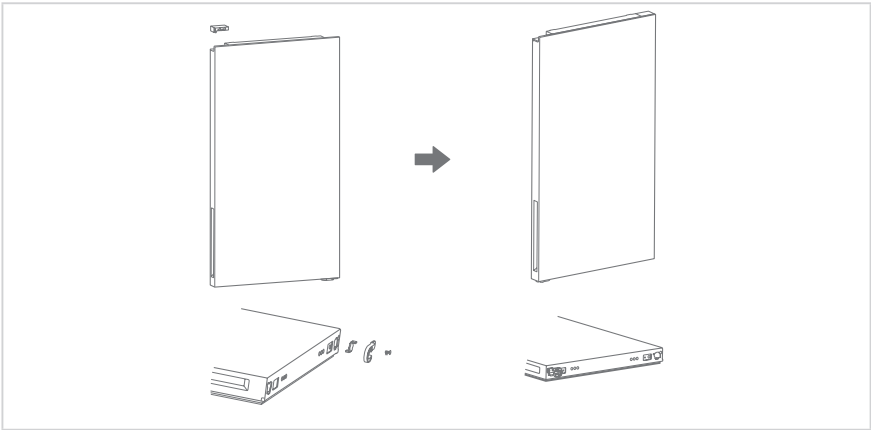
3. Távolítsa el a hűtőszekrény ajtaját (ügyeljen arra, hogy ne veszítse el a kis alkatrészeket, például az ajtóütközőket); Távolítsa el a középső zsanért a tartalékként való használathoz, és távolítsa el a zsanérfurat dekorfedelét, kupakját és csavarjait a másik oldalon.



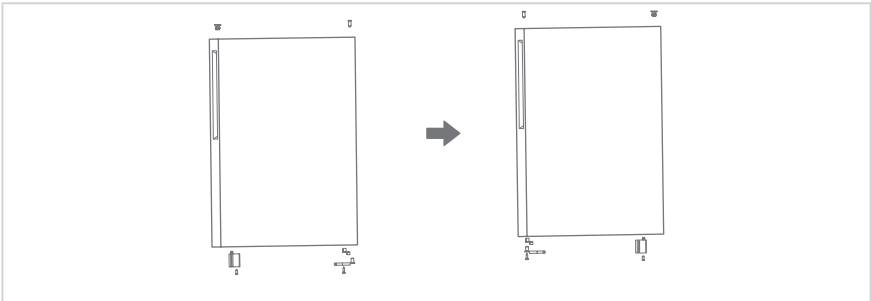
4. Távolítsa el a fagyasztó ajtaját (ügyeljen arra, hogy ne veszítse el a kis alkatrészeket, például a tengelyhüvelyeket és az ajtóütközőket); Távolítsa el az alsó zsanért, távolítsa el az alsó zsanér tengelyét, és szerelje fel a zsanér másik oldalára, távolítsa el az alsó zsanért, távolítsa el az alsó zsanér tengelyét, és szerelje fel a zsanér másik oldalára tartalékként.



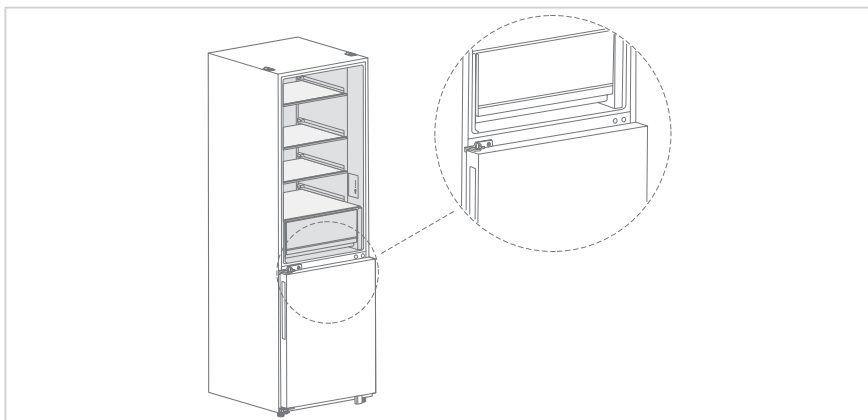
5. A hűtőszekrény ajtajának cseréje; Távolítsa el a bal oldali dekorfedelelet, vegye elő a jobb oldali dekorfedelelet a tartozékcsomagból, és szerelje fel a felső zárófedél másik oldalára; távolítsa el a hűtőajtó önzáróját, az ajtóütközőt, vegye elő a bal oldali ajtóönzárót a tartozékcsomagból, majd szerelje fel az ajtóütközőt és a bal oldali ajtóönzárót az alsó zárófedél bal oldalára.



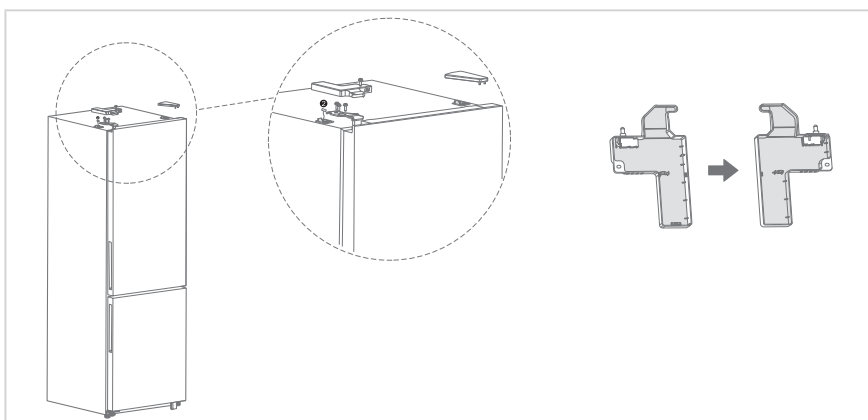
6. Fagyasztóajtó-kapcsoló; Távolítsa el a fagyasztóajtó felső zárókupakjának hüvelyét, és helyezze fel a kupakot a bal és a jobb felcserélhető helyzetbe; Távolítsa el a fagyasztó ajtajának önzáróját, az ajtóütközőt és az ajtótamaszt, vegye elő a bal oldali ajtóönzárót a tartozékcsomagból, szerelje fel az ajtóütközőt és a bal oldali ajtóönzárót a fagyasztó alsó zárófedelének bal oldalára, és szerelje fel az ajtótamaszt a fagyasztó alsó zárófedelének jobb oldalára.



7. Szerelje fel a középső zsanért, és szerelje fel a hűtőszekrény ajtaját a középső zsanérra, majd szerelje fel az alsó zsanért, és tegye fel a zsanérfurat dekorfedelét.



8. Vegye elő a bal felső zsanérfedelelet a tartozékcsoombsból, valamint a bal felső zsanért. Távolítsa el a jobb oldali zsanérfedélre szerelt kapcsolót, és szerelje fel a bal felső zsanérfedélre; helyezze a hűtőszekrény ajtaját a középső zsanérra, és szerelje fel a bal felső zsanért; csatlakoztassa a felső jelvezetékét 2 a hűtőszekrény bal oldalára, és a kapcsolót a bal oldali zsanérfedélre, helyezze fel és rögzítse a bal oldali zsanérfedelelet, és végül szerelje fel a zsanérfedél dekorfedelét a hűtőszekrény jobb oldalára.



HU

● ATTENTION

A műszaki változások és az eltérő modellek miatt eltérhet a kézikönyvben szereplő illusztrációk némelyike az Ön modelljétől.

- Ügyeljen rá, hogy a hűtőszekrény ne csatlakozzon az elektromos hálózathoz, és üres legyen.
- Kérjen meg valakit, hogy segítsen a művelet elvégzésében.
- Az összes eltávolított alkatrészt őrizze meg, hogy ismét fel tudja őket használni.



Szintezőlábak

A rázkódás elkerüléséhez a készüléket szintbe kell állítani.

Szükség esetén a szintezőcsavarokkal kiegyenlítheti az egyenetlen padlót.

A készülék elejének enyhén magasabban kell lennie a hátuljánál, hogy segítse az ajtó becsukódását.

A szintezőcsavarok könnyen forgathatók, ha enyhén megdönti a készülékházat.

Forgassa a szintezőcsavarokat az óramutató járásával ellentétes irányba  a készülék megemeléséhez, vagy az óramutató járásával megegyező irányba  a készülék lejjebb engedéséhez.

A készülék mozgatása

1. Vegye ki az összes élelmiszert a készülékből.
2. Húzza ki a tápcsatlakozót a hálózati aljzataból, majd illessze be és rögzítse a készülék hátoldalán vagy tetején lévő tápcsatlakozótartó hurokba.
3. Ragasztószalaggal rögzítse az elmozdulásra képes alkatrészeket, például a polcokat és az ajtófogantyút, hogy ne essenek ki a készülék mozgatása közben.
4. A készüléket legalább hárman mozgassák. A készüléket nagy távolságra szállításkor tartsák álló helyzetben.
5. A készüléket az ismételt elhelyezése után csatlakoztassa az elektromos hálózathoz, majd kapcsolja be.

ATTENTION

Óvintézkedések az üzembe helyezés előtt:

Mielőtt változtatásokat végezne, a hűtőszekrényt le kell választani az áramforrásról. Körültekintőnek kell lennie az esetleges személyi sérülések elkerülése érdekében.

Az izzó cserélje

- A LED lámpák cseréjét vagy karbantartását a gyártó, a szakszerviz vagy a megfelelő képesítéssel rendelkező szakember végezheti el.

ATTENTION

Ebben a termékben (G) energiaosztályba tartozó fényforrás található.

A készülék csatlakoztatása az elektromos hálózathoz

A készülék telepítését követően csatlakoztassa a tápkábelt egy konnektorba.

ATTENTION

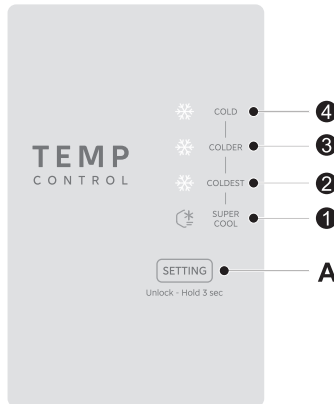
Miután csatlakoztatta a tápkábelt (vagy csatlakozót) a konnektorba, várjon 2-3 órát mielőtt élelmiszert tenne a készülékbe. Ha ételt tesz a készülékbe, mielőtt az teljesen lehűlt volna, az étel megromolhat.

Tippek Az Energia Megtakarításához

- Ne helyezze a készüléket tűzhelyek, radiátorok vagy más hőforrások közelébe. Ha a környezeti hőmérséklet magas, a kompresszor gyakrabban és hosszabb ideig működik, ami növeli az energiafogyasztást.
- Gondoskodjon a megfelelő légáramlásról a készülék alján, oldalainál és hátuljánál. Soha ne takarja le a szellőzőnyílásokat.
- A „Telepítés” című fejezetben ismertetett térközöket is tartsa be.
- A fiókok, polcok és rekeszek ábrán látható elrendezése garantálja a leghatékonyabb energiafelhasználást, ezért kövesse ezt a lehető legpontosabban. A stabil hőmérséklethez és az energiamegtakarításhoz minden fióknak és polcnak a készülékben kell maradnia.
- Ha nagyobb tárolóhelyre van szüksége (pl. nagy méretű hűtött/fagyasztott áru tárolásához), kiveheti a középső fiókokat. Az alsó és felső fiókot csak utolsóként vegye ki, ha szükséges.
- Az egyenletesen feltöltött hűtő-/fagyasztórekeszek hozzájárulnak az optimális energiafelhasználáshoz. Ezért ne töltsé félig vagy ne hagyja üresen a rekeszeket.
- A meleg ételeket a hűtőbe/fagyasztóba tétel előtt hagyja lehűlni. A lehűlt étel javítja az energiahatékonyságot.
- A fagyasztott ételeket a hűtőben olvassza ki. A fagyasztott étel hidege csökkenti a hűtőrekesz energiafogyasztását, így növeli az energiahatékonyságot.
- A hidegveszteség minimalizálása érdekében az ajtót csak a lehető legrövidebb időre nyissa ki. Az ajtók rövid időre történő kinyitása, majd megfelelő bezárása csökkenti az energiafogyasztást.
- A készülék ajtószigeteléseinek tökéletesen sértetlennek kell lenniük, hogy az ajtók megfelelően záródjanak, és az energiafogyasztás ne növekedjen szükségtelenül.

ÜZEMELTETÉSI UTASÍTÁSOK

Vezérlőpanel



Gomb

A	Hőmérséklet-beállító gomb
---	---------------------------

Kijelző

1	LED1 (GYORSHÚTÉS)
2	LED2 (2 °C / LEGHIDEGEBB)
3	LED3 (4 °C / HIDEGEBB)
4	LED4 (8 °C / HIDEG)

Kijelző

- Amikor először kapcsolja be, 3 másodpercig az összes kijelzés megjelenik rajta, majd az üzemszerű tartalom jelenik meg; (kezdeti beállítási fokozata a 4 °C-os).
- Ha hiba lép fel, megjeleníti a hibakódot (ciklikus módban). Normál állapotban a hűtőszekrény beállított hűtési fokozata jelenik meg, nem hibakód.
- Normál körülmények között, ha 15 másodpercig nincs gombnyomás, a beállítás érvénybe lép.

Zárolás és feloldás

- Nyomja meg és tartsa lenyomva 3 másodpercig a gombot a feloldáshoz. Ekkor a LED villogással jelzi, hogy a feloldás sikeres volt, majd 15 másodperccel az utolsó gombnyomás után automatikusan aktiválódik a zárolás.

FIGYELEM

A konkrét kezelőpanel típusról típusra változik.

Üzemeltetési utasítások

Fokozatbeállítás

- A hőmérséklet-beállítás módosításához egyszer nyomja meg a SETTING gombot.
- A fokozat beállítása: LED4 -> LED3 -> LED2 -> LED1 -> LED4

Gyorshűtés üzemmód

Belépés az üzemmódba:

- Nyomja meg a hőmérséklet-szabályozó gombot, hogy világítson a LED1.

Az üzemmód működése:

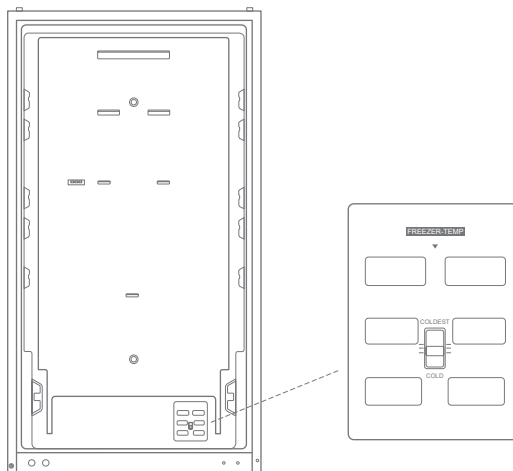
- A kompresszor az aktuális környezeti hőmérséklethez tartozó maximális fordulatszámon működik.
- A ventilátor az aktuális fordulatszámnál eggyel kisebb fokozaton működik (Elsődleges szempont a túlterhelés elkerülése.).
- A gyorsűtés 2 fokos fokozatának start-stop pontja szerint működik, és nem végez leolvasztást a gyorsfagyasztási időszak alatt (kivéve a bekapcsoláskori leolvasztást).
- A gyorsűtés üzemmódból való kilépés után végez leolvasztást.

Kilépés az üzemmódból:

- A gyorsűtés üzemmódból való kilépéshez állítson a hőmérsékleten.
- Kilép az üzemmódból 16 órai gyorsűtés után.

A levegőcsatorna lapátjának beállítása

Ha felfelé tolja a hőmérséklet-szabályozót, a fagyasztóban a hőmérséklet csökkenni fog. Ha lefelé tolja, a fagyasztóban a hőmérséklet emelkedni fog.



Hibakód

- A kijelzőn megjelenő figyelmeztetések a hűtőszekrény hibáit jelzik. Bár a hűtőszekrény a következő hibák megjelenése esetén továbbra is képes lehet a hűtésre és a fagyasztásra, ilyenkor vegye fel a kapcsolatot egy szakképzett szerelővel, hogy elvégezze a karbantartást, és a hűtőszekrény megfelelően működhessen tovább.

Hibakód	Hibaleírás
A LED 1 és a LED2 villog	A hűtőszekrény hőmérséklet-érzékelőjének hibája
A LED 1 és a LED3 villog	A fagyasztó leolvasztóérzékelőjének hibája
A LED 1 és a LED4 villog	A környezetihőmérséklet-érzékelő hibája

Tippek az ételek tárolásához

Fagyasztótér

- A fagyasztó nagyon alacsony hőmérsékleten fagyasztott élelmiszerek tárolására, fagyasztott élelmiszerek hosszú távú tárolására és jég készítésére használható.
- A fagyasztó ajtajában lévő polcokat csak fagyasztott élelmiszer tárolására használja, ne pedig forró ételek lefagyasztására.
- Ne tegyen egymás mellé friss és lefagyasztott élelmiszert. Így a fagyasztott élelmiszer kiolvadhat.
- Friss élelmiszerek (pl. hús, hal vagy vagdalthús) fagyasztása előtt vágja fel azokat olyan adagokra, amelyeket majd egyszerre felhasználhat.
- Fagyasztott élelmiszer tárolása: az utasítások rendszerint a csomagoláson található, amelyeket be kell tartani. Ha a csomagoláson nincs ilyen információ, az élelmiszereket nem szabad a vásárlás napjától számított három hónapnál hosszabb ideig tárolni.
- Fagyasztott élelmiszerek vásárlásakor ellenőrizze, hogy azok megfelelő hőmérsékleten lettek-e lefagyasztva, és a csomagolásuk nem sérült-e.
- A minőség megőrzése érdekében a fagyasztott élelmiszereket megfelelő csomagolásban kell tartani, és amint lehet, vissza kell tenni a fagyasztórekeszbe.
- Ha egy fagyasztott étel csomagolása nedves vagy rendellenesen felfúvódott, valószínű, hogy nem megfelelő hőmérsékleten tárolták, és a tartalma tönkrement.
- A fagyasztott élelmiszerek tárolási időtartama függ a szobahőmérséklettől, a termosztát beállításától, a fagyasztóajtó nyitási gyakoriságától, az élelmiszer típusától, valamint attól, hogy mennyi idő telt el a termék megvásárlása és hazaszállítása között. Mindig kövesse a csomagoláson feltüntetett utasításokat, és ne lépje túl az ott megadott tárolási időt.

Hűtőrekesz

- A nedvesség és a jégképződés elkerülése érdekében soha ne tegyen folyadékot tartalmazó lezáratlan tartályt a hűtőbe. A jég leginkább a párologtató leghidegebb részein képződik. Ha lezáratlan folyadékokat tárol a hűtőben, akkor azt gyakrabban kell leolvasztani.
- Soha ne tegyen meleg ételt a hűtőbe. Ezeket előbb szobahőmérsékleten kell lehűteni, majd úgy kell a hűtőbe helyezni, hogy biztosítva legyen a megfelelő légközés.
- Az élelmiszerek és az élelmiszertartók ne érintkezzenek a hűtő hátsó falával, mert odafagyhatnak. Ne nyitogassa rendszeresen a hűtő ajtaját.
- A hűtőbe helyezhet húst és tiszta halat (becsomagolva vagy műanyag fóliában), amelyet 1-2 napon belül felhasználhat.
- A friss zöldség és gyümölcs csomagolás nélkül behelyezhető az ezek számára készült részbe.

ATTENTION

Az egyes rekeszek optimális hőmérséklet-beállítása a környezeti hőmérséklettől függ. A fenti optimális hőmérséklet akkor érvényes, ha a környezeti hőmérséklet 25 °C.

Sorszám	Rekeszek TÍPUS	Tárolási célhőmérséklet [°C]	Megfelelő ételkészlet
1	Hűtőtér	$+2 \leq x \leq +8$	A tojás, a főtt étel, a csomagolt ételkészlet, a gyümölcs és zöldség, a tejtermékek, a sütemények, az italok és egyéb ételkészletek fagyasztásra nem alkalmasak.
2	 Négycsillagos fagyasztási minősítés	$x \leq -18$	Fagyasztási és gyorsfagyasztási sebességének és kapacitásának hála gyorsan lefagyaszthatja és tárolhatja az ételkészleteket. Alkalmas fagyasztott friss ételkészletek, például tenger gyümölcsei (halak, garnélarák, kagylók), édesvízi termékek és hűsítőanyagok tárolására. Ajánlott tárolási idő: 3 - 6 hónap; minél hosszabb a tárolási idő, annál rosszabb a termék íze és annál alacsonyabb a tápanyagtartalma.
3	 Háromcsillagos fagyasztási minősítés	$x \leq -18$	Fagyasztási kapacitással. Alkalmas fagyasztott friss ételkészletek, például tenger gyümölcsei (halak, garnélarák, kagylók), édesvízi termékek és hűsítőanyagok tárolására. Ajánlott tárolási idő: legfeljebb 3 hónap.
4	 Kétszillagos fagyasztási minősítés	$x \leq -12$	Csak a már fagyasztott ételkészletek, pl. fagyaltok középtávú tárolására alkalmas. Ajánlott tárolási idő: legfeljebb 1 hónap.
5	 Egyszillagos fagyasztási minősítés	$x \leq -6$	Csak hűtésre és kis mennyiségű, már fagyasztott ételkészlet rövid távú tárolására alkalmas. Ajánlott tárolási idő: legfeljebb 1 hét.
6	0-csillag	$-6 \leq x \leq 0$	Friss sertés, marha, hal, csirke, bizonyos csomagolt feldolgozott ételkészletek stb. (Javasolt még aznap elfogyasztani, de lehetőleg 3 napon belül). Részben lezárt feldolgozott ételkészletek (nem fagyasztható ételkészletek).
7	Fagyrekesz	$-2 \leq x \leq +3$	Friss/fagyasztott sertéshús, marhahús, csirke, édesvízi és akváriumban nevelt termékek stb. (0 °C alatt 7 napon belül fogyasztandó, 0 °C felett ugyanazon a napon, de legfeljebb 2 napon belül fogyasztandó). Tenger gyümölcsei 0 °C alatt 15 napig állnak el, 0 °C feletti tárolásuk nem ajánlott.
8	Frissentartó	$0 \leq x \leq +4$	Friss sertés, marha, hal, csirke, főtt étel stb. (Javasolt még aznap elfogyasztani, de lehetőleg 3 napon belül)
9	Bor	$+5 \leq x \leq +20$	Vörösbőr, fehérbőr, pezsgő stb.

ATTENTION

A különféle ételkészleteket a nekik megfelelő rekeszekben vagy tárolási hőmérsékleten tárolja.

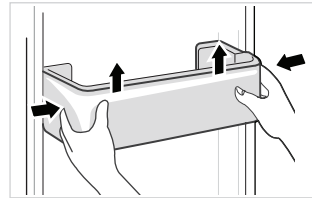
TISZTÍTÁS ÉS KARBANTARTÁS

Leolvasztás

- A hűtőszekrény a léghűtés elve alapján készült, így automatikus leolvasztási funkcióval rendelkezik. Az évszakok vagy a hőmérséklet változása miatt kialakult jeget manuálisan is el lehet távolítani, ha a berendezést leválasztja az elektromos hálózatról, illetve egy papírtörlővel vagy száraz törölközővel le lehet törölni.

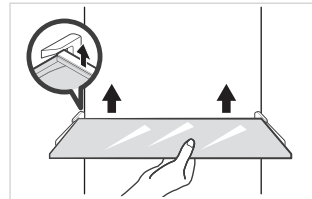
Ajtótálca tisztítása

- Az alábbi ábrán látható nyílnak megfelelően két kézzel fogja meg a tálcát és nyomja felfelé, majd vegye ki a helyéről.
- Azt követően, hogy a kivett tálcát elmosta, szükség szerint a kívánt magasságba helyezheti vissza.



Üvegpolc tisztítása

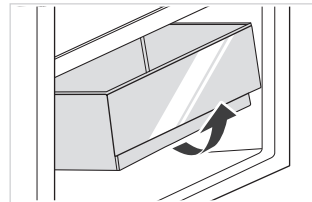
- A hűtő belsejében, ahol a polc és a hűtő hátulja találkozik, egy kis mélyedés található; emelje meg a polcot felfelé, hogy kivehesse a helyéről.
- Igényei szerint állítsa be vagy tisztítsa meg a polcokat.



HU

Zöldséges fiók tisztítása

1. Vegyen ki mindent a fiókból. Fogja meg a fiók markolatát, és húzza ki teljesen, ütközésig.
2. Emelje meg a zöldséges fiókot, és húzza ki az eltávolításához.



ATTENTION

Javasolt vízbe vagy nem maró hatású semleges tisztítószerbe áztatott puha szivacsot használni a tisztításhoz. Végül a fagyasztót is tisztítsa ki tiszta vízzel és száraz ruhával. Mielőtt bekapcsolná a készüléket, nyissa ki az ajtaját a természetes száradáshoz. Ne használjon kemény keféket, acél súrolót, súrolószereket (pl. fogkrémet), organikus oldószereket (pl. alkoholt, acetont, banánolajat, stb.), forró vizet, savas vagy lúgos szereket a hűtőszekrény tisztításához, amelyek károsíthatják a hűtőszekrény felületét, belsejét.

HIBAELHÁRÍTÁS

A következő egyszerű problémákat a felhasználó is kezelni tudja. Kérjük, hívja a szervizünket, ha valamilyen problémát nem sikerül elhárítani.

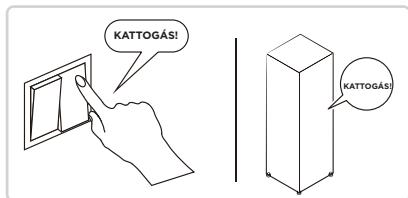
Probléma	Lehetséges ok
Berendezés nem működik	<ul style="list-style-type: none">• Ellenőrizze, hogy a készülék csatlakoztatva van-e az elektromos hálózathoz, és a csatlakozó megfelelően érintkezik-e
	<ul style="list-style-type: none">• Ellenőrizze, hogy a feszültség nem túl alacsony-e
	<ul style="list-style-type: none">• Ellenőrizze, hogy nincs-e áramkimaradás, vagy az egyes áramkörök megszakítói nem oldottak le
Szag	<ul style="list-style-type: none">• Az erős szagú ételeket szorosan be kell csomagolni
	<ul style="list-style-type: none">• Ellenőrizze, hogy nincs-e rohadt étel a hűtőben
	<ul style="list-style-type: none">• Tisztítsa ki a hűtőszekrény belsejét
A kompresszor hosszú idejű működése	<ul style="list-style-type: none">• Normális, ha a hűtő nyáron vagy magas környezeti hőmérséklet esetén hosszú ideig működik
	<ul style="list-style-type: none">• Ilyenkor javasolt kevesebb ételt helyezni a hűtőbe
	<ul style="list-style-type: none">• Mielőtt a készülékbe helyezné, hűtse le az ételt
	<ul style="list-style-type: none">• Az ajtókat túl gyakran nyitogatják
A lámpa nem világít	<ul style="list-style-type: none">• Ellenőrizze, hogy a hűtőszekrény csatlakoztatva van-e az elektromos hálózathoz, illetve a lámpa nem sérült-e
	<ul style="list-style-type: none">• Szakemberrel cseréltesse ki a lámpát
Az ajtók nem záródnak megfelelően	<ul style="list-style-type: none">• Az ajtó valamelyik élelmiszerben elakad
	<ul style="list-style-type: none">• A hűtőszekrény ferdén áll.
Hangos a készülék	<ul style="list-style-type: none">• Ellenőrizze, hogy a padló vízszintes-e, illetve a hűtő stabilan áll-e
	<ul style="list-style-type: none">• Ellenőrizze, hogy a kiegészítők a megfelelő helyre vannak-e behelyezve

Probléma	Lehetséges ok
Az ajtó tömitései nem szigetelnek megfelelően	<ul style="list-style-type: none"> • Távolítsa el az idegen anyagokat az ajtó tömitéseiről • A helyreállításhoz melegítse fel az ajtó tömitéseket, majd a hűtse le őket. (A melegítéshez használhat hajszárítót vagy forró törölközőt.)
A vízgyűjtő tálca túlcsoordul	<ul style="list-style-type: none"> • Túl sok élelmiszer van a hűtőtérben, vagy a tárolt élelmiszer túl sok vizet tartalmaz, amely leolvasztáskor túl sok vizet enged • Az ajtók nincsenek megfelelően bezárva, ami a bejutó levegő miatt jegesedéshez, a túl sok víz leolvadásához vezet
Meleg a burkolat	<ul style="list-style-type: none"> • A beépített kondenzátor burkolata felmelegedhet, ami normális jelenség. Ha a magas környezeti hőmérséklet, a túl sok tárolt élelmiszer vagy a kompresszor leállása miatt a burkolat túl forróvá válik, gondoskodjon megfelelő szellőzésről a hő eloszlásának elősegítésével
Felületi páralecsapódás	<ul style="list-style-type: none"> • A hűtőszekrény külső felületén és az ajtó tömitéseken jelentkező páralecsapódás normális jelenség, ha a környezeti páratartalom túl magas. Törölje le a páralecsapódást egy tiszta törülköhával.
Rendellenes zaj	<ul style="list-style-type: none"> • Zúgás: Működés közben a kompresszorból zúgás hallható, és ez a zúgás indításkor vagy leállításkor különösen hangos. Ez normális. • Nyikorgás: A berendezésben áramló hűtőközeg nyikorgó hangot adhat, ami normális.

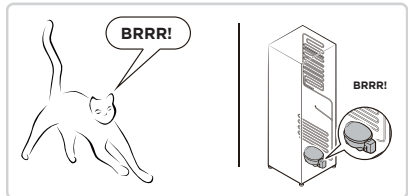
Hallja az alábbi rendellenes hangokat? Ezek a hangok rendszerint normálisak.



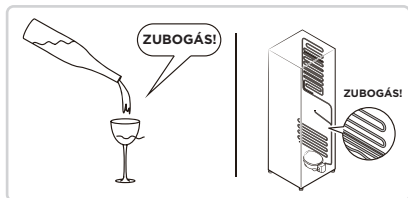
KATTOGÁS: A hűtőszekrény bizonyos elektromos alkatrészei (pl. az elektromos szelep) működés közben ilyen hangot adnak ki. Ez normális.



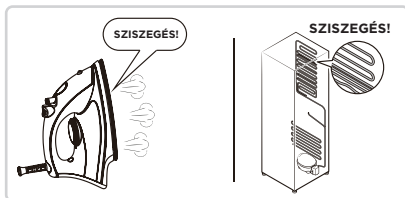
BRRR: Működés közben a kompresszorból zúgás hallható, és ez a zúgás indításkor vagy leállításkor különösen hangos. Ez normális.



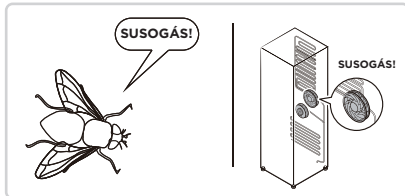
ZUBOGÁS: A hűtőszekrény csövein átfolyó hűtőközeg ilyen hangot ad. Ez normális.



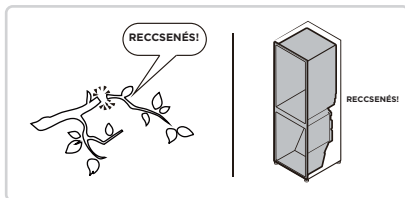
SZISZEGÉS: Amikor a hűtőközeg beáramlik a párologtatóba, ilyen hangot ad. Ez normális.



SUSOGÁS: A no frost hűtőszekrény ventilátorának motorja működés közben ilyen hangot ad. Ez normális.



RECCSENÉS: Reccsenő hang, a roppanó jég hangja: a hűtőszekrény teljes szerkezete, valamint a fagyásnak kitett légnyílások hőtágulást és összehúzódást szenvednek, ami ennek megfelelő hangokat kelt. Ezek szintén normális fizikai jelenségek.



MELLÉKLET

Kimondottan az új európai szabványnak megfelelően

Az alábbi táblázatban lévő megrendelt alkatrészek a szolgáltatói csatornától szerezhetők be

Megrendelt alkatrész	Beszállító	Az biztosításhoz szükséges minimum idő
Termosztátok	Professzionális karbantartó személyzet	Legalább 7 év azt követően, hogy az utolsó termék piacra került
Hőmérséklet-érzékelők	Professzionális karbantartó személyzet	Legalább 7 év azt követően, hogy az utolsó termék piacra került
Nyomatott áramköri lapkák	Professzionális karbantartó személyzet	Legalább 7 év azt követően, hogy az utolsó termék piacra került
Fényforrások	Professzionális karbantartó személyzet	Legalább 7 év azt követően, hogy az utolsó termék piacra került
Ajtófogantyúk	Professzionális szerelők és végfelhasználók	Legalább 7 év azt követően, hogy az utolsó termék piacra került
Ajtózsanérok	Professzionális szerelők és végfelhasználók	Legalább 7 év azt követően, hogy az utolsó termék piacra került
Tálcák	Professzionális szerelők és végfelhasználók	Legalább 7 év azt követően, hogy az utolsó termék piacra került
Kosarak	Professzionális szerelők és végfelhasználók	Legalább 7 év azt követően, hogy az utolsó termék piacra került
Ajtótömítések	Professzionális szerelők és végfelhasználók	Legalább 10 év azt követően, hogy az utolsó termék piacra került

Kedves vásárló!

- Ha a terméket szeretné visszaküldeni vagy kicserélni, vegye fel a kapcsolatot az értékesítővel.
(Ne felejtse el elhozni a vásárláskor kapott számlát)
- Ha a termék elromlott és javításra van szükség, vegye fel a kapcsolatot a szervizrészleggel.

FIGYELEM

A termékadatbázisban található modellinformációkat, valamint termék energiahatékonysági címkéje QR-kódjával (ha van) beolvasott webes hivatkozáson keresztül lehet elérni.

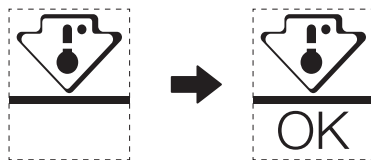
A készülék energiahatékonyságáról további tájékoztatást a <https://ec.europa.eu> webhelyen talál, ha rákeres a típusnévre.

A típusnév a készülék adattábláján található.

A hűtőszekrény leghidegebb zónája

OPCIONÁLIS: OK-hőmérsékletjelzés

- Az OK-hőmérsékletjelzéssel a +4 °C alatti hőmérsékletek határozhatók meg. Fokozatosan csökkentse a hőmérsékletet, amíg az „OK” jelzést nem látja.



- A terület hőmérsékletének garantálása érdekében, ne változtasson a polc elhelyezkedésén. A kényszerlevegős hűtőszekrények esetében (ventilátorral rendelkező vagy önleolvasztós modellek) nincs feltüntetve a leghidegebb zóna szimbólum, mert a belső hőmérséklet homogén.

Hőmérsékletjelző beállítása

- Azért, hogy segítsen Önnek a megfelelő beállításban, a hűtőszekrényt hőmérsékletjelzővel látták el, ami figyelmeztet a leghidegebb zóna átlagos hőmérsékletét.
- FIGYELEM: Ezt a jelzőt az Ön hűtőszekrényével való együttműködésre tervezték, ne használja másik hűtőszekrényben (mert a leghidegebb zóna nem ugyanolyan), vagy más felhasználási céllal.

A leghidegebb zóna hőmérsékletének ellenőrzése

- A hőmérsékletjelzővel rendszeresen tudja ellenőrizni, hogy a leghidegebb zóna hőmérséklete megfelelő-e. Valójában a hűtőszekrény belső hőmérséklete számos olyan tényezőtől függ, mint a helyiség környezeti hőmérséklete, a benne tárolt étel mennyisége és az ajtónyitás gyakorisága. A készülék beállításakor vegye figyelembe ezeket a tényezőket.
- Amikor a jelző «OK»-t mutat, az azt jelenti, hogy a termosztátot jól állították be, és a belső hőmérséklet megfelelő.
- Ha a hőmérsékletjelző FEHÉRRE vált, az azt jelenti, hogy a hőmérséklet túl magas; ebben az esetben növelje a hűtőszekrény hőmérsékletszabályozó beállítását, és várjon 12 órát, mielőtt újra szemrevételezéssel ellenőrné a jelzőt. Ha friss élelmiszert helyeztek be, vagy az ajtót nyitva hagyták, előfordulhat, hogy a hőmérsékletjelző egy idő után FEHÉRRE vált.

ZAHVALNO PISMO

Hvala, ker ste izbrali Midea! Pred uporabo vašega novega izdelka Midea natančno preberite ta priročnik, da zagotovite varno upravljanje z lastnostmi in funkcijami, ki jih ponuja vaša nova naprava.

KAZALO

ZAHVALNO PISMO	01
SPECIFIKACIJE	02
PREGLED IZDELKA	03
NAMESTITEV IZDELKA	05
NAVODILA ZA UPORABO	12
ČIŠČENJE IN VZDRŽEVANJE	17
ODPRAVLJANJE TEŽAV	18
PRILOGA	21

SPECIFIKACIJE

Model izdelka	MDRB548MME*
Nazivna napetost/frekvenca	220-240 V-/50 Hz
Nazivni tok	1,4 A
Skupna prostornina	401 L
Volumen prostora za shranjevanje sveže hrane	271 L
Prostornina prostora s štirimi zvezdicami	130 L
Zmogljivost zamrzovanja	8,0 kg/24 ur
Čas povišanja temperature	8 ur
Skupna dimenzija (Š x G x V)	595 x 670 x 1860 mm

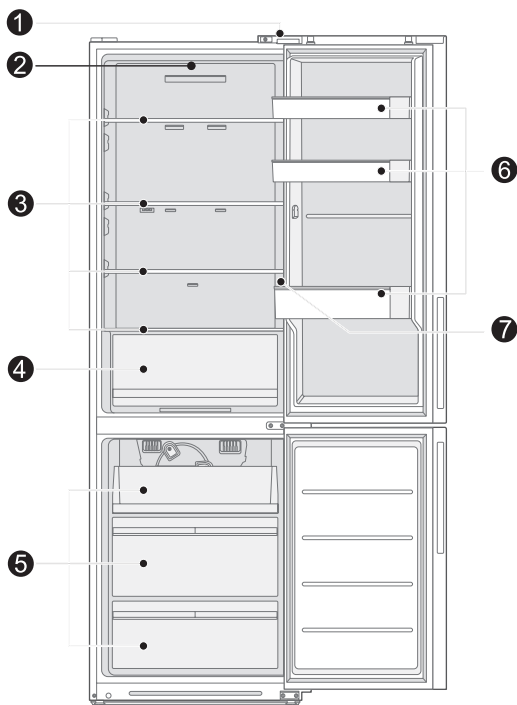
Model izdelka	MDRB600MME*
Nazivna napetost/frekvenca	220-240 V-/50 Hz
Nazivni tok	1,4 A
Skupna prostornina	443 L
Volumen prostora za shranjevanje sveže hrane	313 L
Prostornina prostora s štirimi zvezdicami	130 L
Zmogljivost zamrzovanja	8,0 kg/24 ur
Čas povišanja temperature	8 ur
Skupna dimenzija (Š x G x V)	595 x 670 x 2010 mm

SL

PREGLED IZDELKA

Imena sestavnih delov

MDRB548MME*



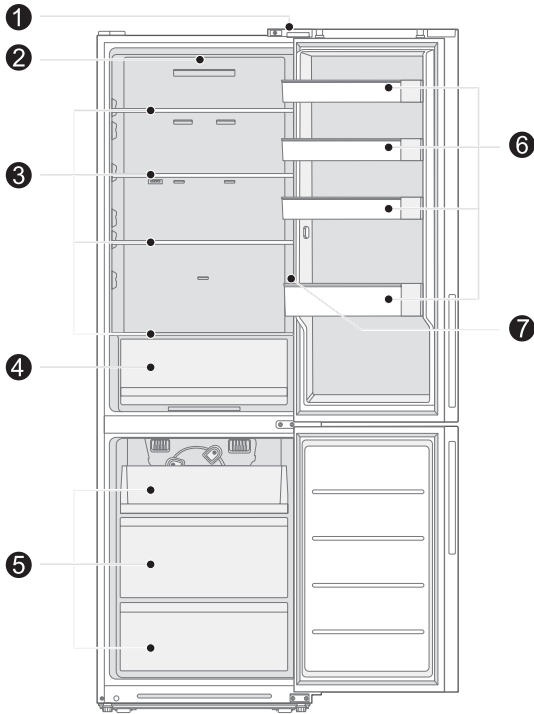
- | | | | |
|---|------------------------------|---|------------------|
| 1 | Stikalo vrat | 5 | Predal |
| 2 | LED-lučka | 6 | Pladenj za vrata |
| 3 | Polica | 7 | Nadzorna plošča |
| 4 | Predal za sadje in zelenjavo | | |

POZOR

Zgornja slika je samo za referenco. Dejanska konfiguracija je odvisna od fizičnega izdelka ali izjave distributerja.

SL

MDRB600MME*



- | | | | |
|---|------------------------------|---|------------------|
| 1 | Stikalo vrat | 5 | Predal |
| 2 | LED-lučka | 6 | Pladenj za vrata |
| 3 | Polica | 7 | Nadzorna plošča |
| 4 | Predal za sadje in zelenjavo | | |

POZOR

Zgornja slika je samo za referenco. Dejanska konfiguracija je odvisna od fizičnega izdelka ali izjave distributerja.

NAMESTITEV IZDELKA

Navodila za namestitev

Za hladilne naprave s klimatskim razredom

- Odvisno od klimatskega razreda je ta hladilni aparat namenjen uporabi pri temperaturnih območjih okolja, kot je navedeno na napisni tablici.
- Klimatski razred najdete na napisni tablici. Izdelek morda ne bo deloval pravilno pri temperaturah zunaj določenega območja.
- Klimatski razred je naveden na etiketi izdelka.

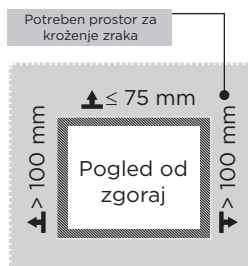
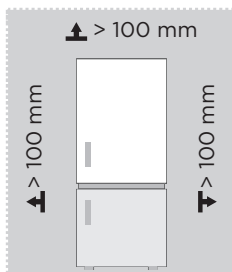
Učinkovito temperaturno območje

- Izdelek je zasnovan za normalno delovanje v temperaturnem območju, ki ga določa ocena razreda.

Razred	Simbol	Razpon temperature okolice °C	
		IEC 62552 (ISO 15502)	ISO 8561
Razširjeni zmerni	SN	+10 do +32	+10 do +32
Zmerni	N	+16 do +32	+16 do +32
Subtropski	ST	+16 do +38	+18 do +38
Tropski	T	+16 do +43	+18 do +43

Dimenzije in odmiki

- Okrog omarice pustite dovolj prostora za kroženje zraka. Pri nameščanju enote pustite 10 cm prostega prostora na obeh straneh, 10 cm na vrhu enote in ne več kot 7,5 cm na zadnji strani enote.

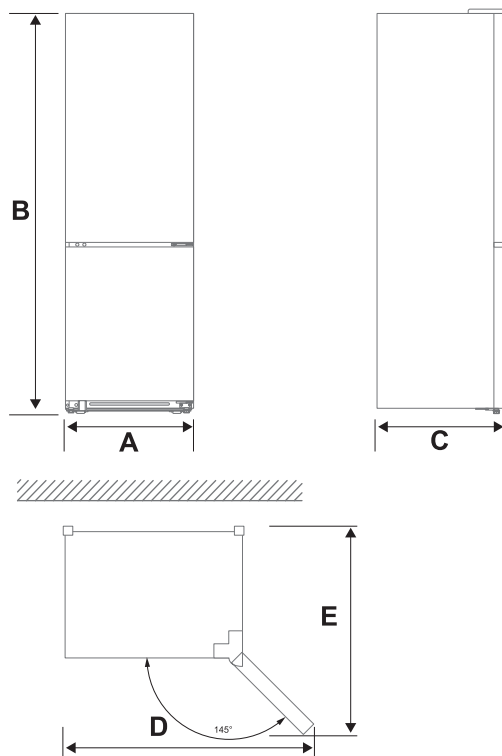


● ATTENTION

Zgornja slika je samo za referenco. Dejanska konfiguracija je odvisna od fizičnega izdelka ali izjave distributerja.

SL

Diagram prostorskih zahtev (ko so vrata odprta in ko so vrata zaprta)



SL

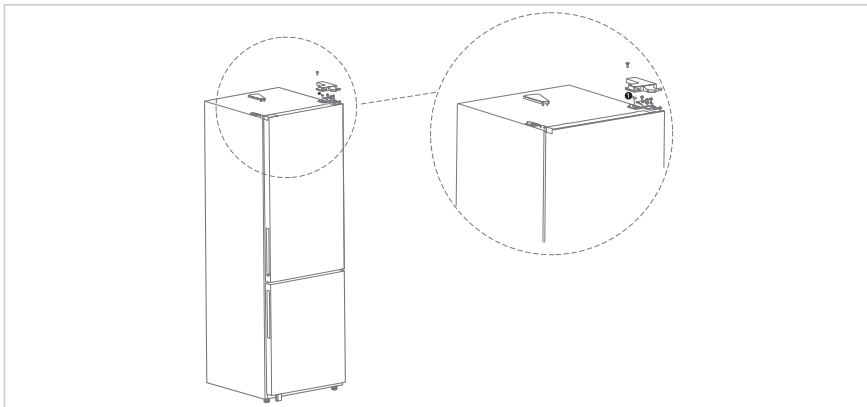
Model	Širina	Skupna višina	Globina	Širina z odprtimi vrati 145°	Globina z odprtimi vrati 145°
	A	B	C	D	E
MDRB548MME*	595	1860	670	960	1070
MDRB600MME*	595	2010	670	960	1070

Opomba: Vse mere so v mm

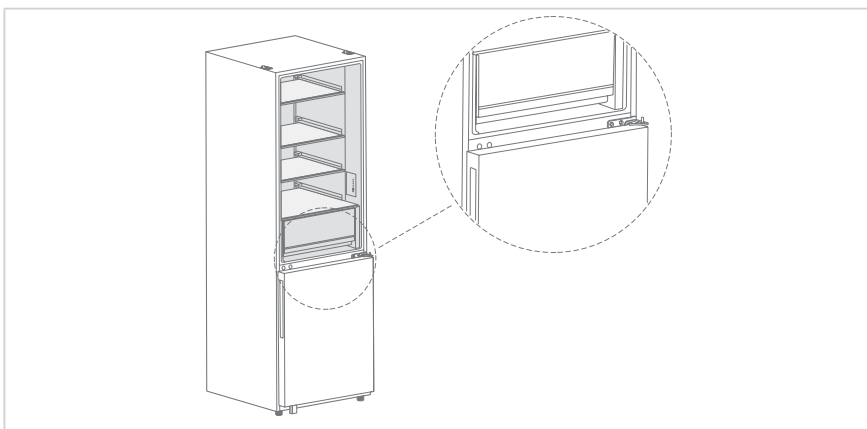
Sprememba odpiranja vrat

Glede na lokacijo, kjer boste hladilnik uporabljali, bo morda priročajnejše, če obrnete položaj namestitve vrat.

1. Odstranite predmete z ohišja vrat.
2. Odstranite zgornji levi pokrov tečaja, zgornji desni pokrov tečaja, zgornji desni tečaj, odklopite signalno linijo na zgornji desni strani ohišja hladilnika (signalna linija ❶).

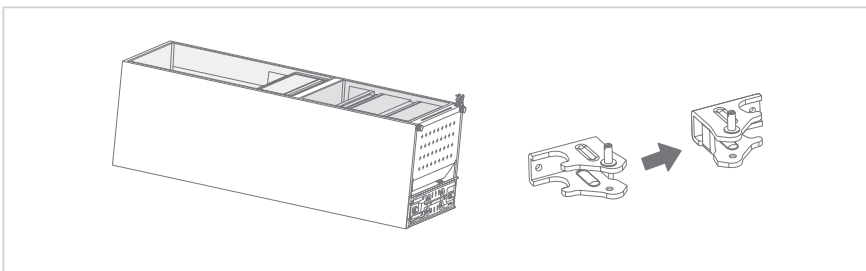


3. Odstranite ohišje vrat hladilnika (pazite, da ne izgubite majhnih delov, kot so zatiči za vrata); odstranite srednji tečaj za rezervno uporabo in odstranite okrasni pokrov odprtine tečaja, pokrovček in vijake na drugi strani.

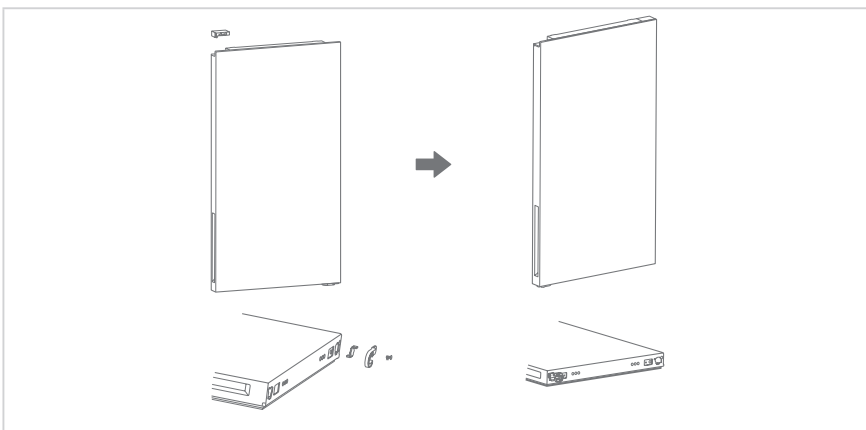


4. Odstranite ohišje vrat zamrzovalnika (pazite, da ne izgubite majhnih delov, kot so objemke in zatiči za vrata); odstranite spodnji tečaj, odstranite spodnji osni zatič in ga namestite na drugo stran tečaja, odstranite spodnji tečaj, odstranite spodnji osni zatič in ga namestite na drugo stran tečaja za rezervno uporabo.

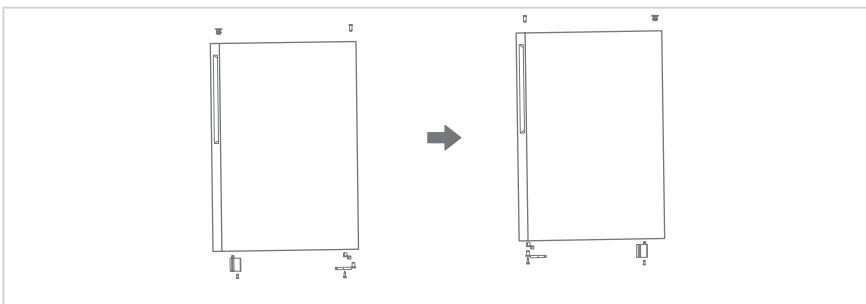
SL



5. Zamenjava vrat hladilnika; odstranite levi okrasni pokrov, odstranite desni okrasni pokrov iz paketa dodatkov in ga namestite na drugo stran zgornjega končnega pokrova; odstranite samozaklepanje vrat hladilnika, zaustavitev vrat, odstranite samozaklepanje levih vrat iz paketa dodatkov in namestite zatiče za vrata in samozaklepanje levih vrat na levo stran spodnjega končnega pokrova.

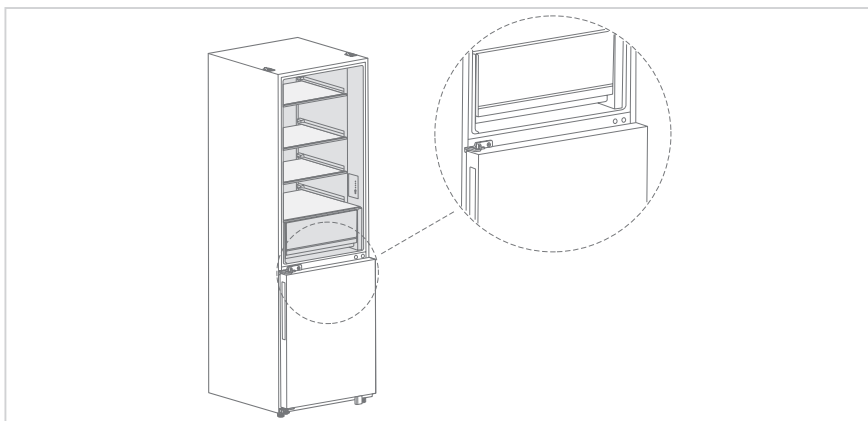


6. Stikalo vrat zamrzovalnika; odstranite zgornji konec pokrova vrat zamrzovalnika in namestite pokrov v levi in desni zamenljivi položaj; odstranite samozaklepanje vrat zamrzovalnika, zatič za vrata in podporo vrat, odstranite samozaklepanje levih vrat iz paketa dodatkov, namestite zatič za vrata in samozaklepanje levih vrat na levo stran spodnjega konca pokrova zamrzovalnika in namestite podporo vrat na desno stran spodnjega konca pokrova zamrzovalnika.

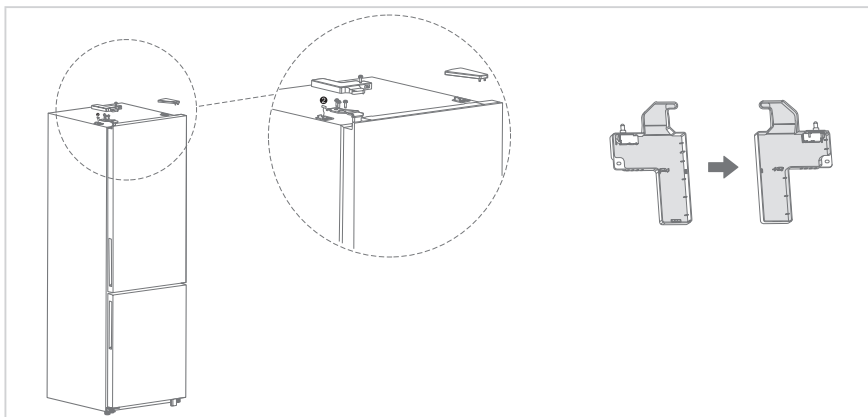


SL

7. Namestite srednji tečaj in vrata zamrzovalnika na srednji tečaj, nato namestite spodnji tečaj in pokrijte okrasni pokrov odprtine tečaja.



8. Odstranite pokrov levega zgornjega tečaja iz kompleta dodatkov, levi zgornji tečaj, odstranite stikalo, nameščeno na pokrovu desnega tečaja, in ga namestite na pokrov levega zgornjega tečaja; postavite ohišje vrat hladilnika na srednji tečaj in namestite levi zgornji tečaj; povežite zgornjo signalno črto ② na levi strani hladilnika in stikalo na pokrovu levega tečaja, pokrijte in pritrdite pokrov levega tečaja ter na koncu namestite okrasni pokrov tečaja na desno stran ohišja hladilnika.



SL

● ATTENTION

Zaradi tehničnih sprememb in različnih modelov se lahko nekatere ilustracije v tem priročniku razlikujejo od vašega modela.

- Prepričajte se, da je hladilnik odklopljen z napajanja in prazen.
- Prosite nekoga, da vam pomaga pri postopku.
- Shranite vse odstranjene dele, da jih boste pozneje ponovno uporabili.


Izravnalne noge

Da se izognete vibracijam, mora biti enota poravnana.

Po potrebi prilagodite izravnalne vijake za izravnavo neravnih tal.

Sprednji del mora biti nekoliko višji od zadnjega dela za pomoč pri zapiranju vrat.

Izravnalne vijake lahko enostavno vrtite tako, da omarico nekoliko nagnete.

Izravnalne vijake zavrtite v nasprotni smeri urinega kazalca , da dvignete enoto, ali v smeri urinega kazalca , da jo spustite.

Premikanje naprave

1. Odstranite vso hrano iz naprave.
2. Izvlecite napajalni vtič ter ga vstavite in pritrdite na kavelj za napajalni vtič na zadnji strani ali na vrhu naprave.
3. Prilepite dele, kot so police in ročaj vrat, da preprečite njihov padec med premikanjem naprave.
4. Napravo morata previdno premakniti več kot dve osebi. Pri premikanju naprave na daljši razdalji naj naprava stoji pokončno.
5. Po namestitvi naprave priključite napajalni vtič v vtičnico za vklop naprave.

ATTENTION

Previdnostni ukrepi pred uporabo:

Prede pričnete s spremembami, morate hladilnik izključiti iz napajanja.

Sprejeti je treba previdnostne ukrepe, da preprečite morebitne telesne poškodbe.

Zamenjava luči

- Zamenjavo ali vzdrževanje LED-luči mora izvesti proizvajalec, njegov pooblaščen servisni zastopnik ali podobno usposobljeno osebje.

ATTENTION

Izdelek vsebuje vir svetlobe razreda energetske učinkovitosti G.

Priključitev naprave

Po namestitvi naprave priključite napajalni vtič v stensko vtičnico.

ATTENTION

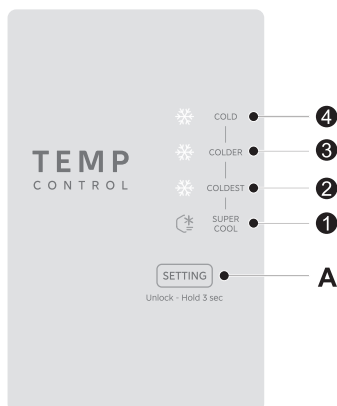
Po priključitvi napajalnega kabla (ali vtiča) v vtičnico počakajte 2 ali 3 ure, preden v napravo postavite hrano. Če hrano dodate, preden se je naprava povsem ohladila, se lahko hrana pokvari.

Nasveti za varčevanje z energijo

- Naprave ne postavljajte v bližino štedilnikov, radiatorjev ali drugih virov toplote. Če je temperatura okolja visoka, bo kompresor deloval pogosteje in dlje, kar bo povzročilo večjo porabo energije.
- Prepričajte se, da je na dnu aparata, ob straneh aparata in na zadnji strani aparata zadostno prezračevanje. Nikoli ne pokrivajte prezračevalnih odprtin.
- Upoštevajte tudi dimenzije razmika v poglavju »Namestitev«.
- Razporeditev predalov, polic in regalov, kot je prikazano na sliki, omogoča najučinkovitejšo porabo energije, zato jo je treba ohraniti, kolikor je le mogoče. Vsi predali in police naj ostanejo v napravi, da ohranite stabilno temperaturo in prihranite energijo.
- Če želite pridobiti večji prostor za shranjevanje (npr. za veliko hlajeno/zamrznjeno blago), lahko srednje predale odstranite. Zgornje in spodnje predale ter police po potrebi odstranite nazadnje.
- Enakomerno napolnjen hladilno-zamrzovalni predel prispeva k optimalni porabi energije. Zato se izogibajte praznim ali napol praznim predelom.
- Pustite, da se topla hrana ohladi, preden jo postavite v hladilnik/zamrzovalnik. Že ohlajena hrana poveča energijsko učinkovitost.
- Zamrznjeno hrano pustite, da se odmrzne v hladilniku. Hladnost zamrznjene hrane zmanjša porabo energije v hladilnem delu in s tem poveča energijsko učinkovitost.
- Vrata odprite le tako kratko, kot je potrebno, da čim bolj zmanjšate izgubo hladu. Če vrata na hitro odprete in jih pravilno zaprete, zmanjšate porabo energije.
- Tesnila na vratih vašega aparata morajo biti popolnoma nepoškodovana, da se vrata pravilno zaprejo in da se poraba energije ne poveča po nepotrebnem.

NAVODILA ZA UPORABO

Nadzorna plošča



Gumbi

A	Gumb za nastavitve temperature
---	--------------------------------

Prikazni zaslon

1	LED1 (SUPER HLAJENJE)
2	LED2 (2 °C/NAJHLADNEJŠE)
3	LED3 (4 °C/HLADNEJE)
4	LED4 (8 °C/HLADNO)

Zaslon

- Ob prvem vklopu, se v celoti prikaže za 3 sekunde, nato pa se prikaže normalno; (prvič nastavite na 4 °C).
- Ko pride do zaskočitve, prikaže kodo za zaskočitev (v načinu prikaza cikla). V normalnem stanju je prikazana nastavitve hladilnika namesto kode za zaskočitev.
- V normalnih okoliščinah bo nastavitve začela veljati po 15 sekundah brez delovanja tipke.

Zaklepanje in odklepanje

- Pritisnite in držite 3 sekunde za odklepanje, LED prične utripati, kar pomeni, da je odklepanje uspešno, in ključavnica se samodejno zaklene po 15 sekundah, ne da bi pritisnili gumb.

● POZOR

Dejanska nadzorna plošča se lahko razlikuje od modela do modela.

Navodila za upravljanje

Nastavitev naprave

- Enkrat pritisnite gumb za SETTING (nastavitev), da spremenite nastavitev temperature.
- Sprememba nastavitvev: LED4 -> LED3 -> LED2 -> LED1 -> LED4

Način hitrega hlajenja

Vstop v način:

- Pritisnite tipko za nadzor temperature, da zasveti LED1.

Način delovanja:

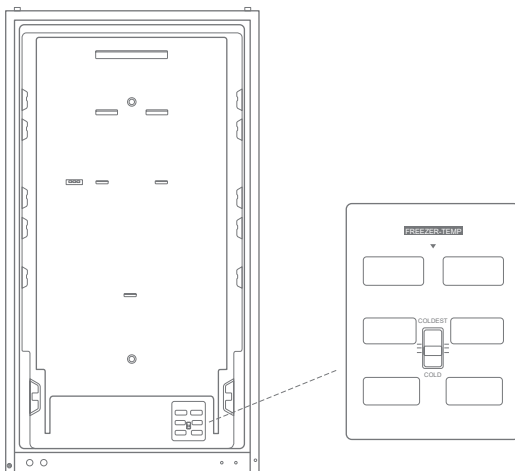
- kompresor deluje pri največji hitrosti trenutne temperature okolice.
- Ventilator deluje s trenutno hitrostjo -1 (prednost je nižja od preobremenitve).
- Zaženite v skladu z začetno in končno točko hitrega hlajenja na 2 stopinji in ne odmrzujte med obdobjem hitrega zamrzovanja (razen ob vklopu odmrzovanja).
- Odtaljevanje enkrat po izstopu iz hitrega hlajenja.

Izhod iz načina:

- Za izhod iz načina hitrega hlajenja prilagodite temperaturo.
- Izhod po 16 urah delovanja v načinu hitrega hlajenja.

Nastavitev loputic zračnega kanala

Če drsnik zračne lopute premaknete navzgor, se bo dejanska temperatura v predelu zamrzovalnika znižala, če pa drsnik zračne lopute premaknete navzdol, se bo dejanska temperatura v predelu zamrzovalnika dvignila.



SL

Koda napake

- Naslednja opozorila, ki se prikažejo na zaslonu, prikazujejo ustrezne napake hladilnika. Čeprav v primeru naslednjih napak hladilnik še vedno ohranja funkcijo hlajenja in zamrzovanja, pa se mora uporabnik obrniti na strokovnjaka za vzdrževanje za zagotovitev normalnega delovanja hladilnika.

Koda napake	Opis napake
LED1 in LED2 utripata	Napaka temperaturnega senzorja hladilnika
LED1 in LED3 utripata	Napaka senzorja za odmrzovanje zamrzovalnika
LED1 in LED4 utripata	Napaka senzorja temperature okolice

Nasveti za shranjevanje živil

Zamrzovalni predel




- Zamrzovalnik je namenjen shranjevanju živil, zamrznjenih pri zelo nizkih temperaturah, dolgotrajnemu shranjevanju zamrznjenih živil in proizvodnji ledu.
- Police v vratih zamrzovalnika uporabljajte samo za shranjevanje zamrznjenih živil, ne pa za shranjevanje vročih živil, namenjenih zamrzovanju.
- Ne postavljajte sveže in zamrznjene hrane eno poleg druge. Zamrznjena hrana se lahko odtali.
- Pri zamrzovanju svežih živil (kot so meso, ribe ali sesekljano meso) jih narežite na kose, ki jih lahko uporabite hkrati.
- Shranjevanje zamrznjenih živil: navodila so običajno navedena na embalaži, ki jih treba upoštevati. Če na embalaži ni podatkov, živila ne smemo shranjevati dlje kot tri mesece od datuma nakupa.
- Ko kupujete zamrznjeno hrano, se prepričajte, da je bila zamrznjena na primerni temperaturi in da embalaža ni poškodovana.
- Zamrznjena živila shranjujte v ustrezni embalaži, da ohranite njihovo kakovost, in jih čim prej vrnite v zamrzovalnik.
- Če se na embalaži zamrznjene hrane opazi vlaga ali neobičajno izboklina, je bila verjetno shranjena pri napačni temperaturi in je vsebina pokvarjena.
- Čas shranjevanja zamrznjenih živil je odvisen od sobne temperature, nastavitve termostata, pogostosti odpiranja vrat zamrzovalnika, vrste živila in časa transporta izdelka iz trgovine v gospodinjstvo. Vedno upoštevajte navodila, natisnjena na embalaži, in nikoli ne prekoračite navedenega najdaljšega časa shranjevanja.

Predel za hlajenje

- Da zmanjšate vlago in posledično nabiranje ledu, nikoli ne dajajte tekočine v hladilnik v nezaprtih posodah. Zmrzal se ponavadi koncentrira v najhladnejših delih uparjalnika. Shranjevanje nepokritih tekočin povzroči pogostejšo potrebo po odmrzovanju.
- V hladilnik nikoli ne postavljajte toplih živil. Ta se morajo najprej ohladiti na sobni temperaturi, nato pa jih postavimo tako, da zagotovimo ustrezno kroženje zraka v hladilniku.
- Živila ali posode za živila se ne smejo dotikati zadnje stene hladilnika, ker lahko primrznejo k steni. Vrat hladilnika ne odpirajte redno.
- Meso in čiste ribe (pakirane v embalaži ali plastični foliji) lahko postavite v hladilnik in jih porabite v 1-2 dneh.
- Sadje in zelenjavo brez embalaže lahko odlagate v del, namenjen svežemu sadju in zelenjavi.

ATTENTION

Optimalna nastavitve temperature vsakega predela je odvisna od temperature okolja. Najvišja optimalna temperatura temelji na temperaturi okolja 25 °C.

Vrstni red	TIP predelka	Ciljna temp. shranjevanja [°C]	Primerna hrana
1	Hladilnik	$+2 \leq x \leq +8$	Jajca, kuhana hrana, pakirana hrana, sadje in zelenjava, mlečni izdelki, torte, pijače in druga živila niso primerni za zamrzovanje.
2	 Ocena s štirimi zvezdicami zamrznjena	$x \leq -18$	Z zmogljivostjo zamrzovanja, hitro hitrostjo zamrzovanja in hitro z zmogljivostjo zamrzovanja lahko hitro zamrznete in shranite živila. Primerno za zamrznjeno svežo hrano, kot so morski sadeži (ribe, kozice, školjke), sladkovodni vodni izdelki in mesni izdelki. Priporočljivo za 3–6 mesecev, daljši kot je čas shranjevanja, slabša sta okus in hranilna vrednost.
3	 Ocena s tremi zvezdicami zamrznjena	$x \leq -18$	Z zmogljivostjo zamrzovanja. Primerno za zamrznjeno svežo hrano, kot so morski sadeži (ribe, kozice, školjke), sladkovodni vodni izdelki in mesni izdelki. Priporočljivo ne več kot 3 mesece.
4	 Ocena s dvema zvezdicama zamrznjena	$x \leq -12$	Primerno le za srednjeročno shranjevanje že zamrznjenih živil, npr. sladoleda. Priporočljivo ne več kot 1 mesec.
5	 Ocena z eno zvezdico zamrznjena	$x \leq -6$	Primerno le za hlajenje in kratkotrajno shranjevanje manjših količin že zamrznjenih živil. Priporočljivo ne več kot 1 teden.
6	0-zvezdica	$-6 \leq x \leq 0$	Sveža svinjina, govedina, ribe, piščanec, nekatera pakirana predelana živila itd. (priporočljivo je, da ta živila pojedete isti dan, po možnosti jih ne shranjuate več kot 3 dni). Delno enkapsulirana predelana živila (živila, ki jih ni mogoče zamrzniti).
7	Hlajenje	$-2 \leq x \leq +3$	Sveža/zamrznjena svinjina, govedina, piščanec, sladkovodni proizvodi itd. (7 dni pod 0 °C, nad 0 °C je priporočljivo živila porabiti v istem dnevu, po možnosti jih ne shranjuate več kot 2 dni). Morski sadeži 15 dni pod 0 °C, ni priporočljivo shranjevati nad 0 °C.
8	Sveža živila	$0 \leq x \leq +4$	Sveža svinjina, govedina, ribe, piščanec, kuhana hrana itd. (priporočljivo je, da ta živila pojedete isti dan, po možnosti jih ne shranjuate več kot 3 dni)
9	Vino	$+5 \leq x \leq +20$	Rdeče vino, belo vino, peniče vino itd.

ATTENTION

kupljena živila shranjuate glede na predelke ali ciljno temperaturo shranjevanja.

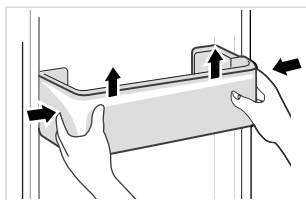
ČIŠČENJE IN VZDRŽEVANJE

Odtajanje

- Hladilnik je izdelan na osnovi principa zračnega hlajenja in ima tako funkcijo samodejnega odtajanja. Zmrzal, ki nastane zaradi spremembe letnega časa ali temperature, lahko tudi ročno odstranite tako, da napravo odklopite z napajanja ali da ga obrišete s suho brisačo.

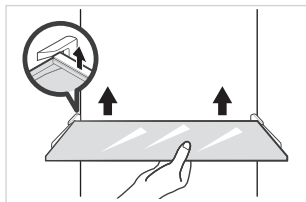
Čiščenje pladnja na vratih

- Kot prikazujejo smerne puščice na spodnji sliki, z obema rokama stisnite pladenj in ga potisnite navzgor, da ga odstranite.
- Potem ko ste očistili pladenj zunaj hladilnika, lahko prilagodite njegovo višino namestitve glede na vaše zahteve.



Čiščenje steklene police

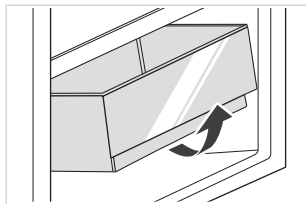
- V najbolj notranjem delu hladilnika se na polici nahaja zadnje varovalo, kjer se police dotikajo hladilnika; police morate dvigniti navzgor, da jih boste lahko odstranili.
- Police očistite ali jih prilagodite glede na vaše zahteve.



SL

Čiščenje predala za zelenjavo

1. Odstranite vsebino predala. Držite ročaj predala za zelenjavo in ga popolnoma izvlecite, dokler se ne ustavi.
2. Dvignite predal za zelenjavo in ga odstranite tako, da ga izvlečete.



● ATTENTION

Za čiščenje je priporočljivo uporabiti mehke brisače ali gobico, namočeno v vodo in nekorozivne nevtralne detergente. Na koncu očistite zamrzovalnik s čisto vodo in suho krpo. Pred vklopom napajanja odprite vrata, da se notranjost naravno posuši. Za čiščenje hladilnika ne uporabljajte trdih ščetk, čistilnih jeklenih kroglic, žičnih krtač, abrazivnih sredstev, kot so paste za zobe, organskih topil (kot so alkohol, aceton, bananino olje ipd.), vrele vode, kislin ali alkalnih izdelkov, saj lahko poškodujejo površino in notranjost hladilnika.

ODPRAVLJANJE TEŽAV

Naslednja preprosta vprašanja lahko reši uporabnik. Če težave ne odpravite, pokličite poprodajni servis.

Težava	Možen razlog
Naprava ne deluje	• Preverite, ali je naprava priključena na napajanje ali če ima vtič dober stik v vtičnici
	• Preverite, ali je napetost prenizka
	• Preverite, ali je prišlo do izpada napajanja ali izpada delnih tokokrogov
Neprijeten vonj	• Živila z močnim vonjem morajo biti trdno ovita
	• Preverite, ali je v napravi pokvarjeno živilo
	• Očistite notranjost hladilnika
Dolgotrajno delovanje kompresorja	• Dolgotrajno delovanje hladilnika je običajno poleti, ko je temperatura okolice visoka
	• Priporočljivo je, da v napravi ni preveč živil hkrati
	• Živila se morajo ohladiti, preden jih postavite v napravo
	• Vrata se prepogosto odpirajo
Luč se ne vklopi	• Preverite, ali je hladilnik priključen na napajanje in ali je luč poškodovana
	• Luč naj zamenja strokovnjak
Vrat ni mogoče pravilno zapreti	• Vrata so se zataknila s paketi hrane
	• Hladilnik je nagnjen.
Glasi hrup	• Preverite, ali so tla ravna in ali je hladilnik stabilno postavljen
	• Preverite, ali je dodatna oprema nameščena na ustreznih mestih

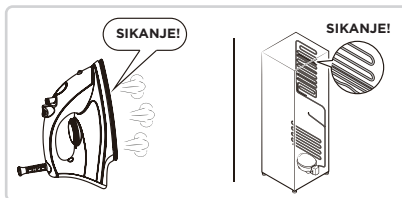
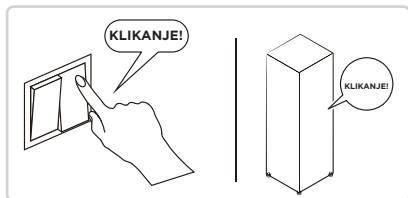
Težava	Možen razlog
Tesnila vrat ne tesnijo	<ul style="list-style-type: none"> • Odstranite tujke s tesnil vrat • Segrejte tesnilo vrat in ga nato ohladite za obnovitev (ali ga popihajte z električnim sušilnikom ali uporabite vročo brisačo za segretje)
Izlivanje iz posode z vodo	<ul style="list-style-type: none"> • V predelu je preveč živil ali pa shranjena živila vsebujejo preveč vode, kar povzroči močno odtajanje • Vrata niso pravilno zaprta, kar povzroči nabiranje ledu zaradi vstopa zraka in povečanje količine vode zaradi odtajanja
Vroče ohišje	<ul style="list-style-type: none"> • Odvajanje toplote vgrajenega kondenzatorja prek ohišja, kar je normalno. Ko ohišje postane vroče zaradi visoke temperature okolja, shranjevanja prevelike količine živil ali izklopa kompresorja, zagotovite ustrezno prezračevanje za lažje odvajanje toplote
Kondenzacija na površini	<ul style="list-style-type: none"> • Kondenzacija na zunanji površin in tesnilih vrat hladilnika je normalna, kadar je vlažnost v okolici previsoka. Kondenzat obrišite s čisto brisačo.
Neobičajen hrup	<ul style="list-style-type: none"> • Brnenje: Kompresor lahko med delovanjem oddaja brnenje, to brnenje pa je glasno zlasti ob začetku ali ustavitvi delovanja. To je normalno. • Škripanje: Hladilna tekočina, ki se pretaka v notranjosti naprave, lahko povzroči škripanje, kar je normalno.

Ali slišite naslednje neobičajne zvoke? Ti zvoki so običajno normalni.



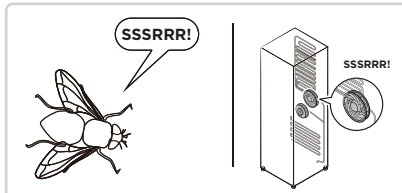
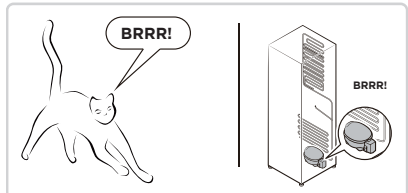
KLIKANJE: Ta zvok med delovanjem oddajajo nekateri električni deli v hladilniku, kot je električni ventil. To je normalno.

SIKANJE: Ko hladilna tekočina steče v uparjalnik, oddaja ta zvok. To je normalno.



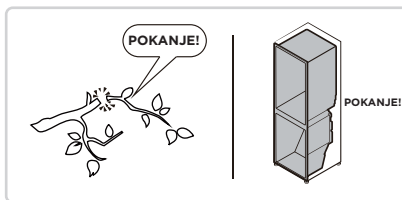
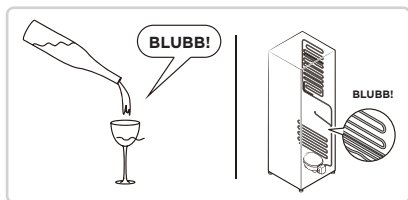
BRRR: Kompresor med delovanjem oddaja ta zvok, to brnenje pa je glasno zlasti ob začetku ali ustavitvi delovanja. To je normalno.

SSSRRR: Ta zvok oddaja motor ventilatorja pri hladilniku »Brez zamrzovanja« med delovanjem. To je normalno.



BLUBB: Ta zvok oddaja hladilna tekočina, ki teče skozi cevi v hladilniku. To je normalno.

POKANJE: Zvok pokanja ali zvok počenega ledu: v splošni strukturi hladilnika se nabira zmrzal v zračnih kanalih ob toplotnem raztezanju in krčenju, ko se sliši zvok krčenja; tudi to so normalni fizični pojavi.



PRILOGA

Posebna določila za nov evropski standard

Naročene dele v naslednji tabeli lahko pridobite od kanala ponudnika storitev

Naročeni del	Zagotovi ga	Minimalni čas, zahtevan za zagotavljanje dela
Termostati	Pooblaščen servis	Najmanj 7 let po začetku prodaje zadnjega modela
Senzorji temperature	Pooblaščen servis	Najmanj 7 let po začetku prodaje zadnjega modela
Plošče tiskanega vezja	Pooblaščen servis	Najmanj 7 let po začetku prodaje zadnjega modela
Viri svetlobe	Pooblaščen servis	Najmanj 7 let po začetku prodaje zadnjega modela
Ročaji vrat	Profesionalni serviserji in končni uporabniki	Najmanj 7 let po začetku prodaje zadnjega modela
Tečaji vrat	Profesionalni serviserji in končni uporabniki	Najmanj 7 let po začetku prodaje zadnjega modela
Pladnji	Profesionalni serviserji in končni uporabniki	Najmanj 7 let po začetku prodaje zadnjega modela
Košare	Profesionalni serviserji in končni uporabniki	Najmanj 7 let po začetku prodaje zadnjega modela
Tesnila vrat	Profesionalni serviserji in končni uporabniki	Najmanj 10 let po začetku prodaje zadnjega modela

SL

Spoštovani kupec

1. Če želite vrniti ali zamenjati izdelek, se obrnite na prodajalno, v kateri ste ga kupili.
(S sabo morate prinesiti račun o nakupu)
2. Če se vaš izdelek pokvari in potrebuje popravilo, se obrnite na ponudnika poprodajnih storitev.

POZOR

Podatke o modelu v podatkovni bazi izdelka in identifikator modela lahko dobite prek spletne povezave, ki jo dobite s skeniranjem QR-kode (če obstaja) na nalepki o energetske učinkovitosti izdelka.

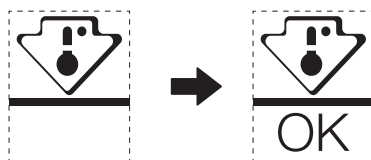
Za več informacij o energetske učinkovitosti naprave obiščite <https://ec.europa.eu> in iščite za uporabo imena modela.

Ime modela je navedeno na nazivni nalepki naprave.

Najhladnejše območje v hladilniku

OPCIJSKO: OK-indikator temperature

- OK-indikator temperature lahko uporabite za določanje temperatur pod +4 °C. Postopoma znižujete temperaturo, če znak ne kaže »OK«.



- Da zagotovite ustrezno temperaturo v tem območju, ne spreminjajte položaja police. Pri hladilnikih z dovajanim zrakom (modeli, opremljeni z ventilatorjem ali modeli Brez Zamrzovanja) simbol za najhladnejše območje ni prisoten, saj je temperatura v njih homogena.

Nastavitev indikatorja temperature

- Za lažjo nastavitev hladilnika je ta opremljen z indikatorjem temperature, ki spremlja povprečno temperaturo najhladnejšega območja.
- OPOZORILO: Ta indikator je namenjen delovanju samo z vašim hladilnikom, ne uporabljajte ga v drugem hladilniku (najhladnejše območje pravzaprav ni enako) ali za nobeno drugo uporabo.

Preverjanje temperature v najhladnejšem območju

- Z indikatorjem temperature lahko redno preverjate, da je temperatura najhladnejšega območja pravilna. Notranja temperatura hladilnika je odvisna od več dejavnikov, kot so temperatura okolice v prostoru, količina živil v hladilniku in pogostost odpiranja vrat. Pri nastavljanju naprave upoštevajte te dejavnike.
- Kadar indikator prikazuje "OK", to pomeni, da je termostat ustrezno nastavljen in je notranja temperatura pravilna.
- Če se indikator temperature spremeni v BELEGA, to pomeni, da je temperatura previsoka. V tem primeru povečajte nastavitev temperature v hladilniku in počakajte 12 ur pred ponovnim vizualnim preverjanjem indikatorja. Če ste v hladilnik vstavili sveža živila ali če so bila odprta vrata, je mogoče, da se indikator temperature čez nekaj časa spremeni v BELEGA.

SCRISOARE DE MULȚUMIRE

Vă mulțumim că ați ales Midea! Înainte de a utiliza noul dvs. produs Midea, vă rugăm să citiți acest manual cu atenție, pentru a vă asigura că știți cum să utilizați într-o manieră sigură caracteristicile și funcțiile pe care le oferă noul dvs. aparat.

CUPRINS

SCRISOARE DE MULȚUMIRE	01
SPECIFICAȚII	02
PREZENTAREA PRODUSULUI	03
INSTALAREA PRODUSULUI	05
INSTRUCȚIUNI DE OPERARE	12
CURĂȚAREA ȘI ÎNTREȚINEREA	17
DEPANAREA	18
ANEXĂ	21

SPECIFICAȚII

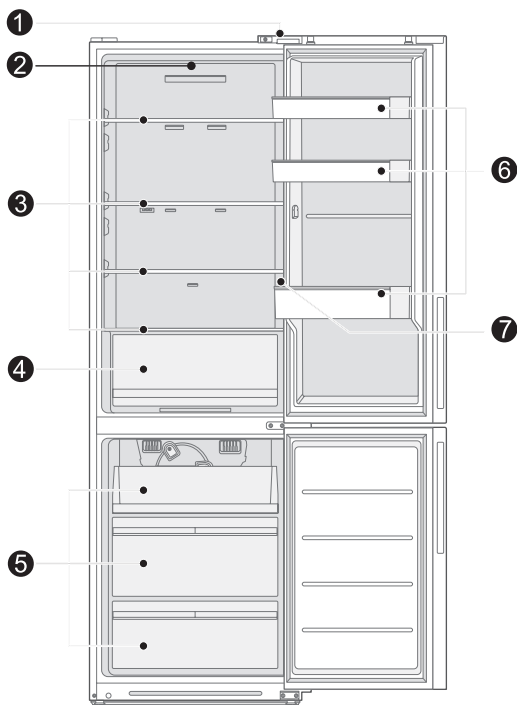
Modelul produsului	MDRB548MME*
Tensiune/frecvență nominală	220-240 V-/50 Hz
Curent nominal	1,4A
Volum total	401L
Volumul compartimentului de depozitare pentru alimente proaspete	271L
Volum compartiment de patru stele	130L
Capacitate de congelare	8,0kg/24h
Durata de creștere a temperaturii	8h
Dimensiuni generale (l x A x H)	595x670x1860 mm

Modelul produsului	MDRB600MME*
Tensiune/frecvență nominală	220-240 V-/50 Hz
Curent nominal	1,4A
Volum total	443L
Volumul compartimentului de depozitare pentru alimente proaspete	313L
Volum compartiment de patru stele	130L
Capacitate de congelare	8,0kg/24h
Durata de creștere a temperaturii	8h
Dimensiuni generale (l x A x H)	595x670x2010 mm

PREZENTAREA PRODUSULUI

Denumirile componentelor

MDRB548MME*



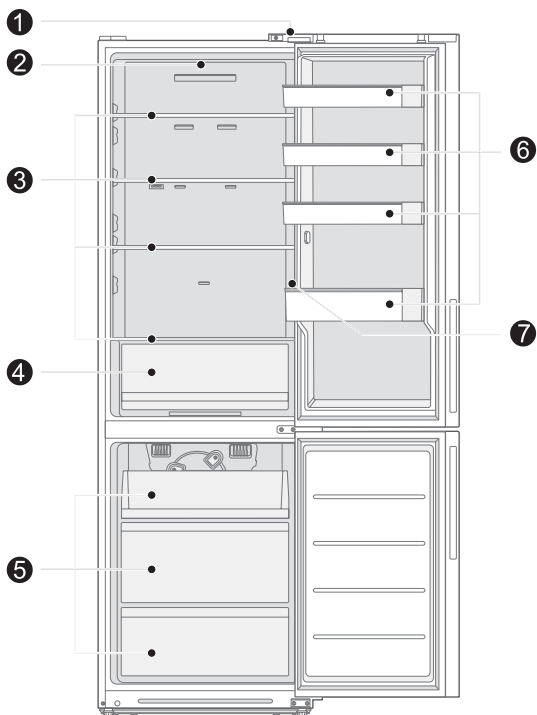
- | | | | |
|---|------------------------|---|------------------|
| 1 | Comutator de ușă | 5 | Sertar |
| 2 | Bec LED | 6 | Tavă ușă |
| 3 | Raft | 7 | Panou de comandă |
| 4 | Cutie fructe și legume | | |

ATENȚIE

Imaginea de mai sus este doar pentru referință. Configurația reală va depinde de produsul fizic sau de declarația distribuitorului.

RO

MDRB600MME*



- 1 Comutator de ușă
- 2 Bec LED
- 3 Raft
- 4 Cutie fructe și legume

- 5 Sertar
- 6 Tavă ușă
- 7 Panou de comandă

● ATENȚIE

Imaginea de mai sus este doar pentru referință. Configurația reală va depinde de produsul fizic sau de declarația distribuitorului.

INSTALAREA PRODUSULUI

Instrucțiuni de instalare

Pentru aparate frigorifice cu clasă de climă

- În funcție de clasa de climă, acest aparat frigorific este destinat utilizării la intervalele de temperatură ambiantă specificate în tabelul următor.
- Clasa de climă poate fi găsită pe plăcuța de identificare. Produsul nu poate funcționa corespunzător la temperaturi în afara intervalului specificat.
- Puteți găsi clasa de climă pe eticheta produsului.

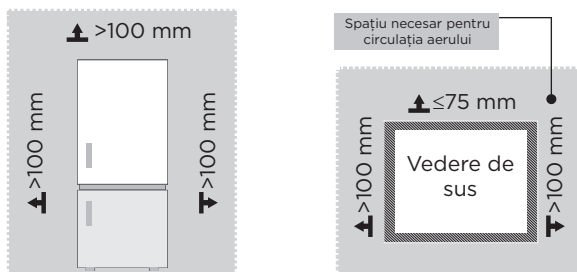
Interval de temperatură eficace

- Produsul este proiectat să funcționeze normal în intervalul de temperatură specificat pe plăcuța de identificare.

Clasă	Simbol	Interval de temperatură ambiantă	
		IEC 62552 (ISO 15502)	ISO 8561
Temperat extinsă	SN	de la + 10 până la + 32	de la + 10 până la + 32
Temperat	N	de la + 16 până la + 32	de la + 16 până la + 32
Subtropical	ST	de la + 16 până la + 38	de la + 18 până la + 38
Tropical	T	de la + 16 până la + 43	de la + 18 până la + 43

Dimensiuni și distanțe

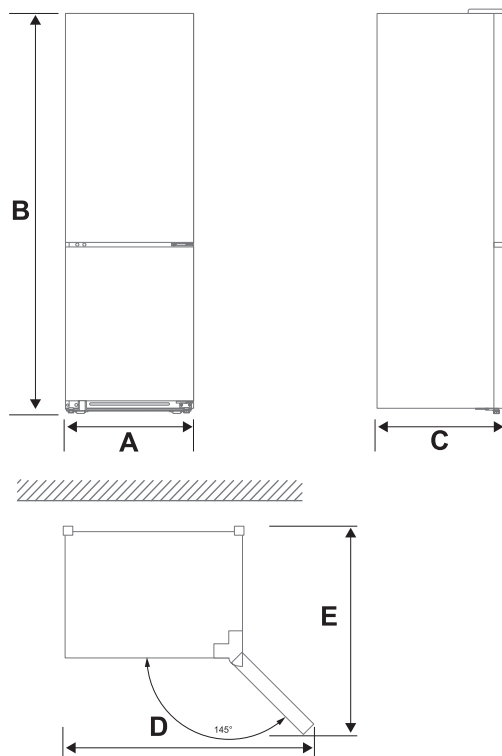
- Păstrați circulația liberă a aerului în jurul dulapului. Când instalați unitatea, asigurați-vă un spațiu liber de 10 cm pe ambele părți, 10 cm în partea de sus a unității și nu mai mult de 7,5 cm în spatele unității.



⚠ ATTENTION

Imaginea de mai sus este doar pentru referință. Configurația reală va depinde de produsul fizic sau de declarația distribuitorului.

Diagrama spațiului necesar (când ușa este deschisă și când ușa este închisă)



RO

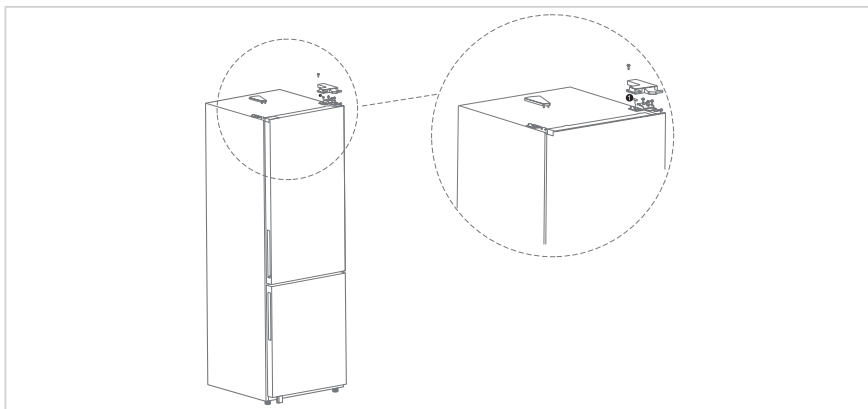
Model	Lățime	Înălțime totală	Adâncime	Lățimea ușilor deschise 145°	Adâncimea ușilor deschise 145°
	A	B	C	D	E
MDRB548MME*	595	1860	670	960	1070
MDRB600MME*	595	2010	670	960	1070

Aviz: Toate dimensiunile în mm

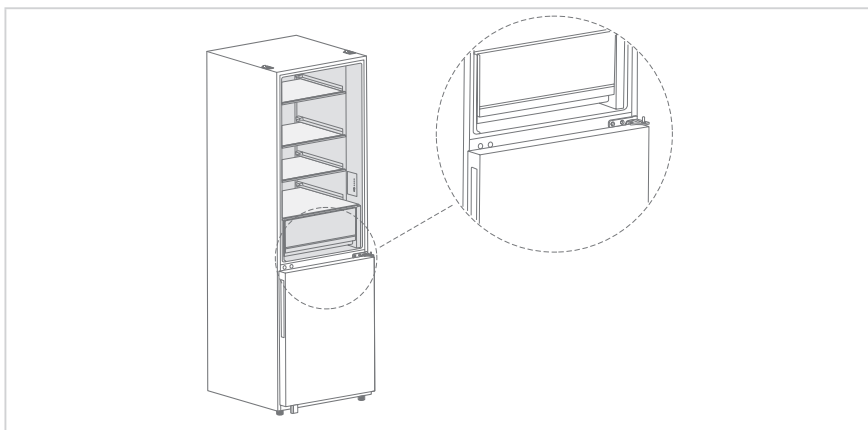
Inversarea ușii

În funcție de locul în care intenționați să utilizați frigiderul, este posibil să vi se pară mai convenabil să inversați poziția ușii.

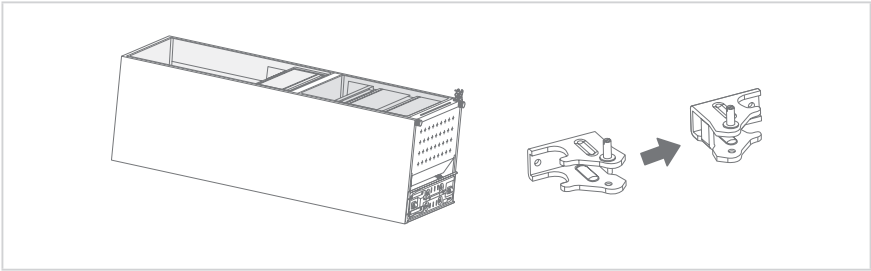
1. Scoateți elementele din corpul ușii.
2. Scoateți capacul decorativ al balamalei din stânga sus, capacul balamalei din dreapta sus, balamaua din dreapta sus, deconectați linia de semnal din partea dreaptă sus a corpului frigiderului (linia de ❶ semnal).



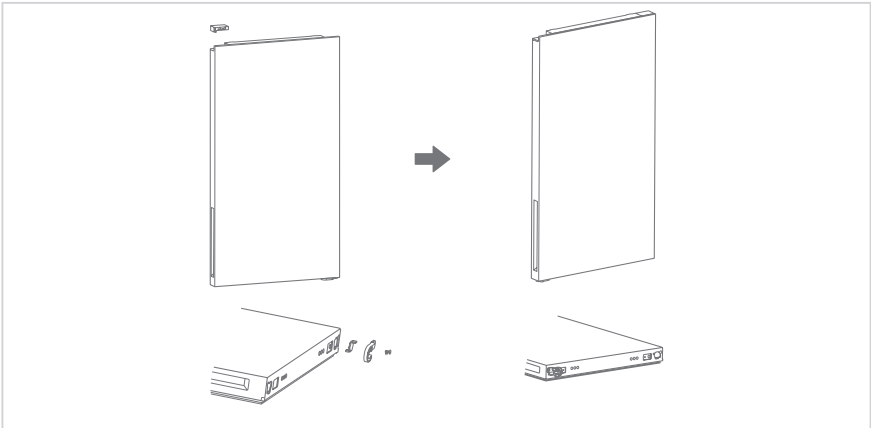
3. Scoateți corpul ușii de refrigerare (aveți grijă să nu pierdeți piese mici, cum ar fi opritoarele ușii); Scoateți balamaua din mijloc pentru utilizare de rezervă și scoateți capacul, capacul și șuruburile decorative ale orificiului balamalei de pe cealaltă parte.



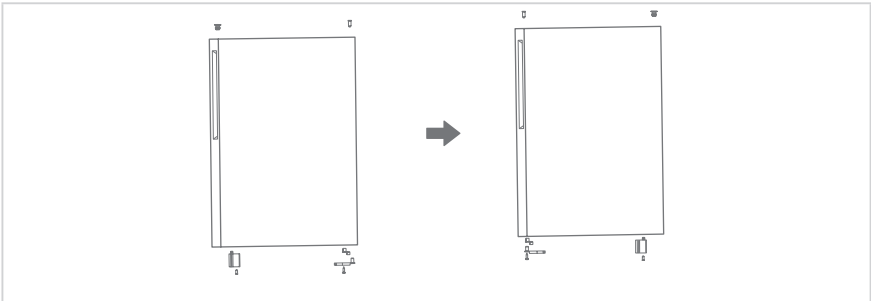
4. Scoateți corpul ușii congelatorului (aveți grijă să nu pierdeți piese mici, cum ar fi manșoanele arborelui și opritoarele ușii); Scoateți balamaua inferioară, scoateți arborele balamalei inferioare și instalați-l pe cealaltă parte a balamalei, scoateți balamaua inferioară, scoateți arborele balamalei inferioare și instalați-l pe cealaltă parte a balamalei pentru utilizare de rezervă.



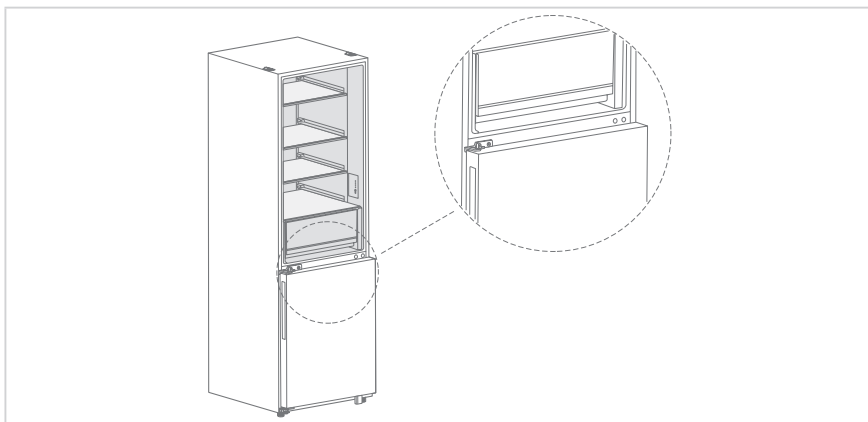
5. Înlocuirea ușii frigorifice; Scoateți capacul decorativ din stânga, scoateți capacul decorativ din dreapta din pachetul de accesorii și instalați-l pe cealaltă parte a capacului de capăt superior; scoateți autoblocarea ușii, opritorul ușii, scoateți autoblocarea ușii din stânga din pachetul de accesorii și instalați pe rând opritorul ușii și autoblocarea ușii din stânga în partea stângă a capacului de capăt inferior.



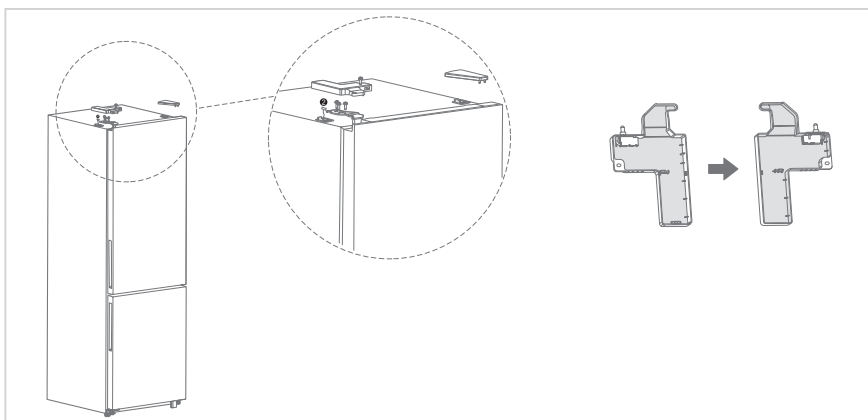
6. Comutatorul ușii congelatorului; Scoateți manșonul capacului superior al ușii congelatorului și instalați capacul în pozițiile interschimbabile stânga și dreapta; Scoateți auto-blocarea ușii congelatorului, opritorul ușii și suportul ușii, scoateți auto-blocarea ușii din stânga din pachetul de accesorii, instalați pe rând opritorul ușii și auto-blocarea ușii din stânga capacului inferior al congelatorului și instalați suportul ușii în partea dreaptă a capacului inferior al congelatorului.



7. Instalați balamaua din mijloc și instalați ușa congelatorului pe balamaua din mijloc, apoi instalați balamaua inferioară și acoperiți capacul decorativ al găurii balamalei.



8. Scoateți capacul balamalei superioare din stânga din pachetul de accesorii, balamaua superioară din stânga, scoateți comutatorul instalat pe capacul balamalei drepte și instalați-l pe capacul balamalei superioare din stânga; așezați corpul ușii de refrigerare pe balamaua din mijloc și instalați balamaua superioară din stânga; conectați linia de ② semnal superioară din partea stângă a frigiderului și comutatorul de pe capacul balamalei din stânga, acoperiți și fixați capacul balamalei din stânga și, în final, instalați capacul balamalei decorative în partea dreaptă a corpului frigiderului.



RO

● ATTENTION

Datorită modificărilor tehnice și a diferitelor modele, unele dintre ilustrațiile din acest manual pot diferi de modelul dvs.

- Asigurați-vă că frigiderul este deconectat și gol.
- Aveți pe cineva disponibil pentru a vă ajuta în acest proces.
- Păstrați toate piesele pe care le eliminați pentru a le reutiliza mai târziu.



Picioarele de echilibrare

Pentru a evita vibrațiile, unitatea trebuie să fie nivelată.

Dacă este necesar, reglați șuruburile de nivelare pentru a compensa podeaua neuniformă.

Partea din față trebuie să fie puțin mai înaltă decât partea din spate pentru a ajuta la închiderea ușii.

Șuruburile de nivelare pot fi rotite cu ușurință prin înclinarea ușoară a dulapului.

Rotiți șuruburile de nivelare în sensul invers acelor de ceasornic  pentru a ridica unitatea, în sensul acelor de ceasornic  pentru a-l coborî.

Mutarea aparatului

1. Scoateți toate alimentele din interiorul aparatului.
2. Scoateți ștecherul, introduceți-l și fixați-l în cârligul ștecherului din spate sau deasupra aparatului.
3. Piese de bandă, cum ar fi rafturile și mânerul ușii, pentru a preveni căderea în timpul deplasării aparatului.
4. Mutați aparatul în mai mult de două persoane și cu atenție. Când transportați aparatul pe o distanță mare, mențineți aparatul în poziție verticală.
5. După instalarea aparatului, conectați fișa de alimentare la o priză pentru a porni aparatul.

ATTENTION

Precauții înainte de operare:

Înainte de a efectua modificări, frigiderul trebuie deconectat de la alimentare.

Trebuie luate măsuri de precauție pentru a preveni orice vătămare corporală.

Schimbarea luminii

- Orice înlocuire sau întreținere a lămpilor LED, trebuie realizată de către producător, agentul de servicii sau o persoană similară calificată.

ATTENTION

Acest produs conține o sursă de lumină de clasă de eficiență energetică (G).

Conectarea aparatului

După instalarea aparatului, introduceți ștecherul într-o priză.

ATTENTION

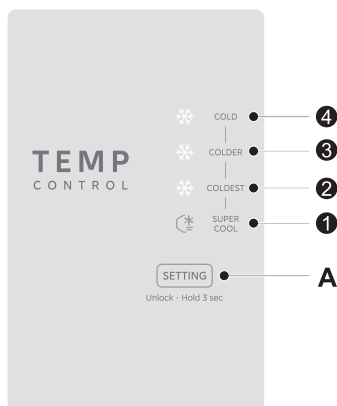
După conectarea cablului de alimentare electrică (sau a ștecherului) la priză, așteptați timp de 2 sau 3 ore înainte de a introduce alimentele în frigider. Dacă adăugați alimente înainte ca aparatul să se răcească complet, alimentele se pot strica.

Sfaturi pentru economisirea energiei

- Nu amplasați aparatul aproape de aparate de gătit, radiatoare sau alte surse de căldură. Dacă temperatura ambiantă este ridicată, compresorul va funcționa mai frecvent și pentru perioade mai lungi, ceea ce va duce la un consum de energie crescut.
- Asigurați-vă că există ventilație suficientă la baza aparatului, în părțile laterale ale aparatului și în spatele aparatului. Nu acoperiți niciodată orificiile de ventilație.
- De asemenea, vă rugăm să păstrați distanțele menționate la capitolul „Instalare”.
- Dispunerea sertarelor, polițelor și rafturilor precum în figură oferă cel mai eficient mod de utilizare a energiei și, prin urmare, ar trebui pe cât posibil menținută. Toate sertarele și polițele trebuie să rămână în aparat pentru menține temperatura stabilă și pentru a economisi energie.
- Pentru a obține mai mult spațiu de stocare (de ex. pentru alimente refrigerate/ congelate), sertarele mijlocii pot fi îndepărtate. Sertarele și polițele din partea superioară și din partea inferioară trebuie îndepărtate ultimele dacă este necesar.
- Un compartiment de refrigerare/congelare umplut uniform contribuie la utilizarea optimă a energiei. Prin urmare, evitați compartimentele goale sau semigoale.
- Lăsați alimentele calde să se răcească înainte de a le introduce în frigider/congelator. Alimentele care s-au răcit deja cresc eficiența energetică.
- Lăsați alimentele congelate să se dezghețe în frigider. Răceala alimentelor congelate reduce consumul de energie în compartimentul de refrigerare și crește astfel eficiența energetică.
- Deschideți ușa pentru foarte puțin timp, doar atât cât este necesar, pentru a minimiza pierderea de frig. Deschiderea ușii pentru scurt timp și închiderea corespunzătoare reduc consumul de energie.
- Garniturile ușii aparatului dvs. trebuie să fie perfect intacte, astfel încât ușile să se închidă corespunzător și consumul de energie să nu fie crescut inutil.

INSTRUCȚIUNI DE OPERARE

Panou de comandă



Buton

A	Buton de setare a temperaturii
---	--------------------------------

Afișaj

1	LED1 (SUPER RECE)
2	LED2 (2 °C/CEL MAI RECE)
3	LED3 (4 °C/MAI RECE)
4	LED4 (8 °C/RECE)

Afișaj

- Când este pornit pentru prima dată, va fi afișat complet timp de 3 secunde și apoi va fi afișat normal; (setat la treapta de viteză de 4 °C pentru prima dată).
- Când se produce o anomalie, este afișat codul acesteia (într-un mod de afișare ciclică). În stare normală, este afișat setul de unelte al frigiderului în locul unui cod de blocare.
- În condiții normale, după 15 secunde de funcționare fără cheie, setarea va intra în vigoare.

Blocarea și deblocarea

- Apăsăți și mențineți apăsat timp de 3 secunde pentru a debloca, LED-ul clipește pentru a indica faptul că deblocarea este reușită, iar blocarea este blocată automat după 15 secunde fără a apăsa butonul.

● ATENȚIE

Panoul de control real poate fi diferit de la un model la altul.

Instrucțiuni de operare

Setarea angrenajului

- Apăsăți butonul de SETTING o dată pentru a modifica setarea temperaturii.
- Reglați cu treapta de viteză la: LED4 - > LED3 - > LED2 - > LED1 - > LED4

Mod de răcire rapidă

Intrarea în mod:

- Apăsăți tasta de control al temperaturii pentru a aprinde LED-ul 1.

Mod de funcționare:

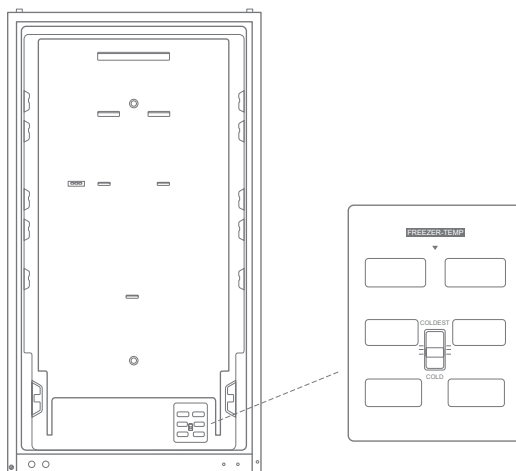
- Compresorul funcționează la viteza maximă a temperaturii ambientale actuale.
- Ventilatorul funcționează la viteza curentă -1 (prioritatea este mai mică decât suprasarcina).
- Funcționați în funcție de punctul de pornire-oprire al treptei de viteză de 2 grade cu răcire rapidă și nu dezghețați în timpul perioadei de congelare rapidă (cu excepția dezghețării la pornire).
- Dezghețarea o dată după ieșirea de răcire rapidă.

Ieșirea din mod:

- Ajustați temperatura pentru a ieși din modul de răcire rapidă.
- Ieșiți după 16 ore de funcționare în modul de răcire rapidă.

Reglarea padelei conductei de aer

Rotiți cursorul clapetei de aer în sus, temperatura reală din interiorul camerei de congelare va scădea, rotiți cursorul clapetei de aer în jos, temperatura reală din interiorul camerei de congelare va crește.



RO

Cod eroare

- Următoarele avertismente care apar pe afișaj indică defecțiunile corespunzătoare ale frigiderului. Deși frigiderul poate avea în continuare funcție de răcire și congelare cu următoarele defecțiuni, utilizatorul trebuie să contacteze un specialist în întreținere pentru a asigura utilizarea normală a frigiderului.

Cod eroare	Descrierea erorii
LED-UL 1 și LED-ul 2 luminează intermitent	Defecțiune a senzorului de temperatură al frigiderului
LED-UL 1 și LED-ul 3 luminează intermitent	Defecțiune a senzorului de dezghețare al congelatorului
LED-UL 1 și LED-ul 4 luminează intermitent	Defecțiune a senzorului de temperatură ambiantă

Sfaturi privind alimentele stocate

Compartimentul de congelare


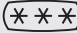
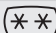

- Congelatorul este destinat depozitării alimentelor congelate la temperaturi foarte reduse, depozitării pe termen lung a alimentelor congelate și pentru producția de gheață.
- Folosiți rafturile din ușa congelatorului pentru a depozita alimente congelate, nu pentru a depozita alimente fierbinți care urmează să fie congelate.
- Nu puneți alimente proaspete și alimente congelate alături unele de celelalte. Alimentele congelate se pot dezgheța.
- Când se congelează alimente proaspete (precum carne, pește sau carne tocată), porționați-le în porții ce pot fi utilizate în același timp.
- Depozitarea alimentelor congelate: de obicei, instrucțiunile sunt specificate pe ambalaje și trebuie urmate. Dacă nu există informații pe ambalaje, alimentele nu trebuie depozitate pentru mai mult de trei luni de la data achiziționării.
- Atunci când achiziționați alimente congelate, asigurați-vă că acestea au fost congelate la o temperatură adecvată și că ambalajul nu este deteriorat.
- Alimentele congelate trebuie păstrate în ambalaje adecvate pentru a menține calitatea și trebuie reintroduse în compartimentul de congelare cât mai curând posibil.
- Dacă ambalajul unui aliment congelat prezintă umezeală sau proeminențe anormale, acest lucru este probabil din cauza faptului că a fost depozitat la temperatura nepotrivită și înseamnă că conținutul este alterat.
- Perioada de depozitare pentru alimente congelate depinde de temperatura camerei, reglajul termostatului, frecvența de deschidere a ușii frigiderului, tipul de aliment și de durata transportării produsului din magazin până acasă. Urmați întotdeauna instrucțiunile imprimate pe ambalaj și nu depășiți niciodată timpul maxim de păstrare specificat pe ambalaj.

Compartiment de răcire

- Pentru a reduce umezeala și prin urmare formarea de gheață, nu introduceți niciodată în frigider lichide în recipiente neetanșe. Frigul tinde să se concentreze în părțile cele mai reci ale evaporatorului. Depozitarea lichidelor neacoperite duce la nevoia mai frecventă de dezghețare.
- Nu introduceți niciodată alimente calde în frigider. Acestea trebuie mai întâi răcite la temperatura camerei și apoi amplasate în așa fel încât să se asigure o circulație adecvată a aerului în frigider.
- Alimentele sau recipientele alimentare nu trebuie să atingă peretele posterior al frigiderului, deoarece ar putea cauza înghețarea peretelui. Nu țineți deschisă frecvent ușa frigiderului.
- În frigider se pot amplasa carne și pește curat (păstrate într-un ambalaj sau într-o folie de plastic) ce pot fi consumate în 1-2 zile.
- Fructele și legumele neambalate pot fi amplasate în partea destinată fructelor și legumelor proaspete.

ATTENTION

Reglajul optim de temperatură pentru fiecare compartiment depinde de temperatură ambientă. La alegerea unei temperaturi mai mari decât cea optimă se ține seama de o temperatură ambientă de 25 °C.

Comandă	TIP de compartimente	Temperatura țintă de stocare [°C]	Alimente adecvate
1	Frigider	$+2 \leq x \leq +8$	Ouăle, alimentele găsite, alimentele ambalate, fructele și legumele, produsele lactate, prăjiturile, băuturile și alte alimente nu sunt potrivite pentru congelare.
2	 Evaluarea de patru stele a fost înghețată	$x \leq -18$	Cu capacitate de congelare, viteză rapidă de congelare, poate congela și depozita rapid alimente. Potrivit pentru alimente proaspete congelate, cum ar fi fructe de mare (pește, creveți, crustacee), produse acvatice de apă dulce și produse din carne. Recomandat pentru 3 - 6 luni. Cu cât timpul de păstrare este mai lung, cu atât gustul și nutriția sunt mai proaste.
3	 Evaluarea de trei stele a fost înghețată	$x \leq -18$	Cu capacitate de congelare. Potrivit pentru alimente proaspete congelate, cum ar fi fructe de mare (pește, creveți, crustacee), produse acvatice de apă dulce și produse din carne. Se recomandă nu mai mult de 3 luni.
4	 Evaluarea de două stele a fost înghețată	$x \leq -12$	Potrivit numai pentru păstrarea pe termen mediu a alimentelor deja congelate, de exemplu înghețată. Recomandat nu mai mult de 1 lună.
5	 Evaluarea de o stea a fost înghețată	$x \leq -6$	Potrivit numai pentru refrigerare și pentru stocarea pe termen scurt a unor cantități mici de alimente deja congelate. Se recomandă nu mai mult de 1 săptămână.
6	0 stele	$-6 \leq x \leq 0$	Carne proaspătă de porc, vită, pește, pui, unele alimente procesate ambalate etc. (Se recomandă consumul în aceeași zi, de preferință în cel mult 3 zile). Alimente procesate parțial, încapsulate (alimente care nu pot fi congelate).
7	Rece	$-2 \leq x \leq +3$	Carne de porc, carne de vită, carne de pui, produse acvatice de apă dulce etc. proaspete/ congelate (7 zile sub 0 °C și peste 0 °C, este recomandat să fie consumate în aceeași zi, de preferință nu mai mult de 2 zile). Fructe de mare, mai puțin de 0 °C timp de 15 zile, nu se recomandă păstrarea la temperaturi mai mari de 0 °C.
8	Alimente proaspete	$0 \leq x \leq +4$	Carne de porc, vită, pește sau pui proaspătă, mâncare gătită etc. (se recomandă să fie consumate în aceeași zi, de preferință nu după mai mult de 3 zile)
9	Vin	$+5 \leq x \leq +20$	Vin roșu, vin alb, vin spumant etc.

● ATTENTION

Vă rugăm să depozitați alimentele diferite în compartimentele corespunzătoare sau în funcție de temperatura țintă de depozitare a acestora.

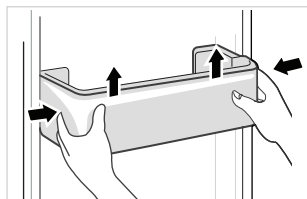
CURĂȚAREA ȘI ÎNTREȚINEREA

Decongelarea

- Frigiderul este realizat pe baza principiului răcirii aerului, prin urmare dispune de o funcție de decongelare automată. Gheața formată din cauza schimbării anotimpului sau a temperaturii poate fi de asemenea îndepărtată manual prin deconectarea aparatului de la sursa de alimentare sau prin ștergere cu un prosop uscat.

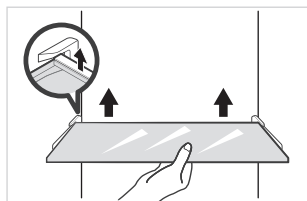
Curățarea tăvii din ușa

- Conform săgeții de direcție din figura de mai jos, folosiți ambele mâini pentru a strânge tava și împingeți-o în sus, apoi o puteți scoate.
- După ce ați spălat tava, puteți regla înălțimea de instalare în funcție de cerințele dvs.



Curățarea raftului de sticlă

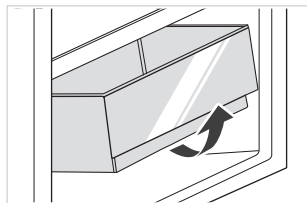
- Deoarece partea cea mai interioară a căptușelii frigiderului în care contactul cu rafturile are o barieră, veți ridica rafturile în sus, apoi le veți putea scoate.
- Reglați sau curățați rafturile în funcție de cerințele dumneavoastră.



RO

Curățarea sertarului pentru legume

1. Scoateți conținutul sertarului. Apucați de mânerul sertarului pentru legume și trageți-l complet până când se oprește.
2. Ridicați sertarul pentru legume și scoateți-l trăgându-l în afară.



● ATTENTION

Pentru curățare se recomandă prosoape moi sau burete înmuiat în apă și detergenți neutri necorozivi. Congelatorul se curăță în cele din urmă cu apă curată și cu o cârpă uscată. Deschideți ușa pentru uscare naturală înainte ca alimentarea să fie pornită. Nu utilizați perii dure, bureți spiralati din sârmă oțelită, perii de sârmă, substanțe abrazive, cum ar fi pastele de dinți, solvenți organici (cum ar fi alcool, acetonă, ulei de banane etc.), apă clocotită, obiecte acide sau alcaline care pot deteriora suprafața și interiorul frigiderului.

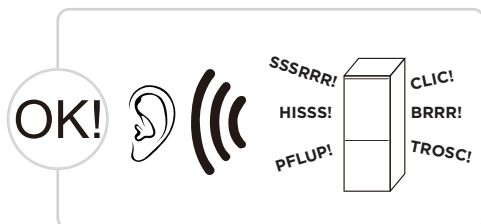
DEPANAREA

Următoarele probleme simple trebuie remediate de utilizator. Adresați-vă departamentului de servicii post-vânzare dacă problemele nu se remediază.

Problemă	Cauză posibilă
Funcționare eșuată	• Verificați dacă aparatul este conectat la energie sau dacă priza este într-un contact bun
	• Verificați dacă tensiunea este prea mică
	• Verificați dacă există o pană de curent sau dacă circuitele parțiale s-au declanșat
Miros neplăcut	• Alimentele mirositoare trebuie să fie împachetate strâns
	• Verificați dacă există alimente alterate
	• Curățați interiorul frigiderului
Funcționarea pe termen lung a compresorului	• Funcționarea îndelungată a frigiderului este normală vara când temperatura ambiantă este ridicată
	• Nu se recomandă să păstrați prea multe alimente în aparat în același timp
	• Alimentele trebuie să se răcească înainte de a fi puse în aparat
	• Ușile sunt deschise prea des
Lumina nu se aprinde	• Verificați dacă frigiderul este conectat la sursa de alimentare și dacă lumina iluminatoare este deteriorată
	• Solicitați înlocuirea luminii de către un specialist
Ușa nu poate fi închisă corect	• Ușa este blocată de pachetele de alimente
	• Frigiderul este înclinat.
Zgomot puternic	• Verificați dacă podeaua este plană și dacă frigiderul este așezat stabil
	• Verificați dacă accesoriile sunt amplasate în locații adecvate

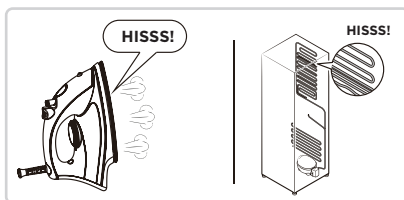
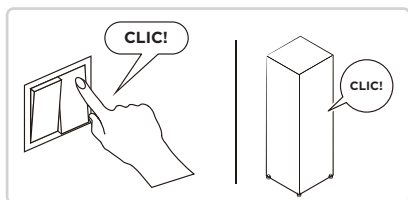
Problemă	Cauză posibilă
Etanșarea ușii nu este strânsă	<ul style="list-style-type: none"> • Îndepărtați obiectele străine de pe garnitura ușii • Încălziți garnitura ușii și apoi răciți-o pentru restaurare (sau folosiți un uscător electric, sau un prosop fierbinte pentru încălzire)
Tava colectoare de apă se revarsă	<ul style="list-style-type: none"> • Există prea multe alimente în cameră sau alimentele depozitate conțin prea multă apă, ducând la o decongelare puternică • Ușile nu sunt închise corespunzător, ceea ce duce la înghețare din cauza pătrunderii aerului și a cantității mari de apă cauzate de dezghețare
Carcasă fierbinte	<ul style="list-style-type: none"> • Căldura condensatorului încorporat este disipată prin intermediul carcasei, acest lucru fiind normal. În cazul în care carcasa se înfierbântă din cauza temperaturii ambiante ridicate, stocării unei cantități prea mari de alimente sau opririi compresorului, asigurați ventilarea puternică pentru a ușura disiparea căldurii
Condensarea suprafeței	<ul style="list-style-type: none"> • Condensarea pe suprafața exterioară și etanșările ușilor frigiderului este normală atunci când umiditatea ambientală este prea mare. Ștergeți condensul cu un prosop curat.
Zgomot anormal	<ul style="list-style-type: none"> • Bâzâit: Compresorul poate produce sunete în timpul funcționării, iar sunetele sunt puternice în special la pornire sau oprire. Acest lucru este normal. • Scârțâit: Curgerea agentului frigorific în interiorul aparatului poate produce scârțâit, lucru care este normal.

Auziți aceste sunete anormale descrise mai jos? Aceste zgomote sunt normale.



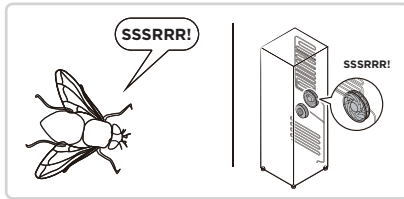
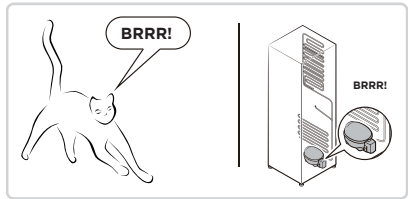
CLIC: Unele piese electrice din frigider, cum ar fi supapa electrică, produc acest zgomot atunci când sunt în funcțiune. Acest lucru este normal.

HISS: Când agentul frigorific curge în evaporator, produce acest zgomot. Acest lucru este normal.



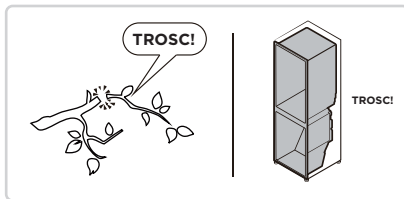
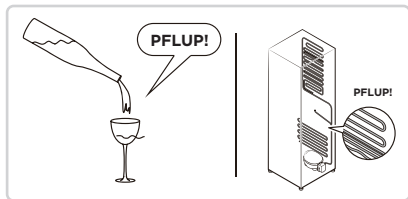
BRRR: Compresorul produce acest zgomot atunci când lucrează, iar bâzâiturile sunt puternice, în special la pornire sau la oprire. Acest lucru este normal.

SSSRRR: Motorul ventilatorului din frigiderul cu sistem fără îngheț produce acest zgomot atunci când este în funcțiune. Acest lucru este normal.



PFLUP: Agentul frigorific care curge prin conductele din frigider produce acest zgomot. Acest lucru este normal.

TROSC: Trosnitură sau sunet asemănător cu cel al spargerii gheții: structura de ansamblu a congelatorului, înghețul conductei de aer va fi o dată cu dilatarea termică și contracția sunetului de expansiune, acestea sunt, de asemenea, fenomene fizice normale.



ANEXĂ

Special pentru noul standard european

Piesele comandate în tabelul următor pot fi achiziționate de la canalul furnizorului de servicii

Piesa comandată	Furnizat de	Perioadă minimă necesară de furnizare
Termostate	Personal de întreținere profesionist	La cel puțin 7 ani de la lansarea pe piață a ultimului model
Senzori de temperatură	Personal de întreținere profesionist	La cel puțin 7 ani de la lansarea pe piață a ultimului model
Plăci cu circuite imprimate	Personal de întreținere profesionist	La cel puțin 7 ani de la lansarea pe piață a ultimului model
Surse de lumină	Personal de întreținere profesionist	La cel puțin 7 ani de la lansarea pe piață a ultimului model
Mănerile ușilor	Reparatori profesioniști și utilizatori finali	La cel puțin 7 ani de la lansarea pe piață a ultimului model
Balamale de ușă	Reparatori profesioniști și utilizatori finali	La cel puțin 7 ani de la lansarea pe piață a ultimului model
Tăvi	Reparatori profesioniști și utilizatori finali	La cel puțin 7 ani de la lansarea pe piață a ultimului model
Coșuri	Reparatori profesioniști și utilizatori finali	La cel puțin 7 ani de la lansarea pe piață a ultimului model
Garnituri de ușă	Reparatori profesioniști și utilizatori finali	La cel puțin 10 ani de la lansarea pe piață a ultimului model

RO

Stimate client

1. Dacă doriți să returnați sau să înlocuiți produsul, vă rugăm să contactați magazinul de unde l-ați achiziționat.
(Nu uitați să aduceți factura de achiziție)
2. Dacă produsul dvs. se defectează și trebuie reparat, contactați furnizorul de servicii post-vânzare.

ATENȚIE

Informațiile privind modelul din baza de date cu produse, precum și codul de identificare a modelului pot fi aflate cu ajutorul unui link web obținut prin scanarea codului QR de pe eticheta de eficiența energetică a produsului, dacă acest cod există.

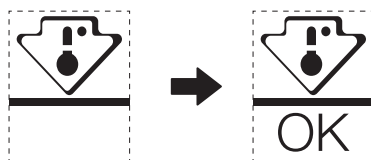
Pentru informații suplimentare despre eficiența energetică a aparatului, vizitați <https://ec.europa.eu> și căutați utilizând numele modelului.

Numele modelului poate fi găsit pe plăcuța indicatoare a aparatului.

Zona cea mai rece a frigiderului

OPȚIONAL: Indicator de temperatură OK

- Indicatorul de temperatură OK poate fi utilizat pentru a determina temperaturi sub +4 °C. Reduceți treptat temperatura dacă semnul nu indică "OK".



- Pentru a menține temperatura în această zonă, nu modificați poziția raftului. În frigiderele cu circulație forțată a aerului (dotate cu un ventilator sau cu tehnologie care împiedică formarea gheții în interior), simbolul celei mai reci zone nu este reprezentat, deoarece temperatura internă este omogenă.

Setarea indicatorului de temperatură

- Pentru a vă ajuta să reglați frigiderul bine, acesta este dotat cu un indicator de temperatură care va monitoriza temperatura medie în zona cea mai rece.
- AVERTISMENT: Acest indicator este proiectat să funcționeze numai cu frigiderul dvs. Nu-l folosiți așadar într-un alt frigider (de fapt, zona cea mai rece nu este aceeași) sau pentru orice altă utilizare.

Verificarea temperaturii în zona cea mai rece

- Cu ajutorul indicatorului de temperatură puteți verifica regulat dacă temperatura celei mai reci zone este corectă. Într-adevăr, temperatura în interiorul frigiderului depinde de mai mulți factori precum temperatura ambiantă a camerei, cantitatea de alimente stocată și frecvența de deschidere a ușii. Țineți seama de acești factori atunci când setați aparatul.
- Atunci când indicatorul arată «OK», înseamnă că termostatul este bine reglat și că temperatura internă este corectă.
- Dacă indicatorul de temperatură devine ALB, înseamnă că temperatura este prea mare; în acest caz, măriți setarea de control a temperaturii frigiderului și așteptați timp de 12 ore înainte de a verifica din nou indicatorul. Dacă s-au introdus alimente proaspete sau dacă ușa a fost lăsată deschisă, este posibil ca indicatorul de temperatură să devină ALB după un timp.

БЛАГОДАРНОСТИ

Благодарим Ви, че избрахте Midea! Преди да използвате новия си уред Midea, прочетете внимателно това ръководство, за са сте сигурни, че знаете как да използвате безопасно функциите, които този нов уред предлага.

СЪДЪРЖАНИЕ

БЛАГОДАРНОСТИ	01
ХАРАКТЕРИСТИКИ	02
ПРЕГЛЕД НА ПРОДУКТА	03
МОНТИРАНЕ НА ПРОДУКТА	05
ИНСТРУКЦИИ ЗА РАБОТА	13
ПОЧИСТВАНЕ И ПОДДРЪЖКА	18
ОТСТРАНЯВАНЕ НА ПРОБЛЕМИ	19
ДОПЪЛНЕНИЕ	22

ХАРАКТЕРИСТИКИ

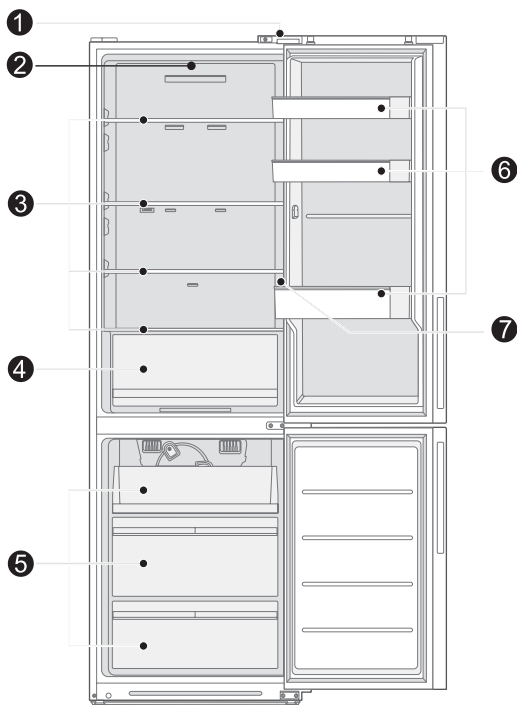
Модел на продукта	MDRB548MME*
Номинално напрежение/честота	220-240 V-/50 Hz
Номинален ток	1,4 A
Общ обем	401 L
Обем на отделението за съхранение на пресни продукти	271 L
Обем на отделението с четири звезди	130 L
Капацитет на замразяване	8,0 kg/24 ч.
Време за покачване на температурата	8 ч.
Общи размери (Ш x Д x В)	595x670x1860 мм

Модел на продукта	MDRB600MME*
Номинално напрежение/честота	220-240 V-/50 Hz
Номинален ток	1,4 A
Общ обем	443 L
Обем на отделението за съхранение на пресни продукти	313 L
Обем на отделението с четири звезди	130 L
Капацитет на замразяване	8,0 kg/24 ч.
Време за покачване на температурата	8 ч.
Общи размери (Ш x Д x В)	595x670x2010 мм

ПРЕГЛЕД НА ПРОДУКТА

Наименования на компонентите

MDRB548MME*



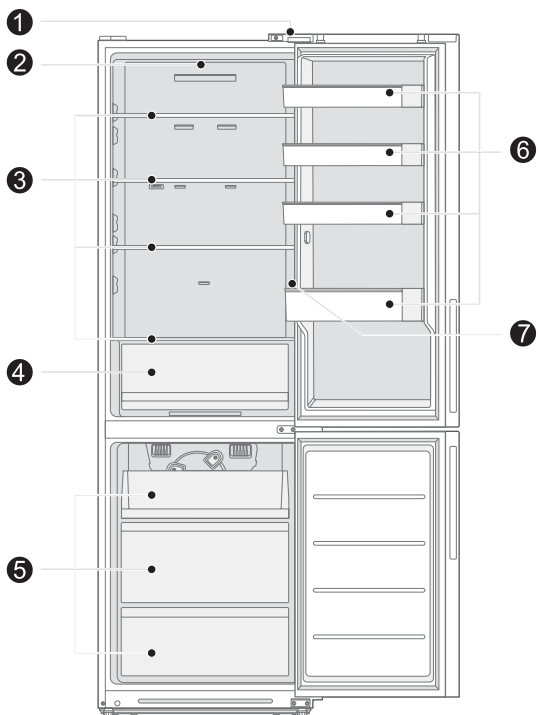
- | | | | |
|---|------------------------------|---|---------------------|
| 1 | Прекъсвач на вратата | 5 | Чекмедже |
| 2 | LED осветление | 6 | Рафт на вратата |
| 3 | Рафт | 7 | Панел за управление |
| 4 | Кутия за плодове и зеленчуци | | |

ЗАБЕЛЕЖКА

Горното изображение е само за справка. Действителната конфигурация зависи от самия продукт или дистрибутора.

BG

MDRB600ME*



- | | | | |
|---|------------------------------|---|---------------------|
| 1 | Прекъсвач на вратата | 5 | Чекмедже |
| 2 | LED осветление | 6 | Рафт на вратата |
| 3 | Рафт | 7 | Панел за управление |
| 4 | Кутия за плодове и зеленчуци | | |

ЗАБЕЛЕЖКА

Горното изображение е само за справка. Действителната конфигурация зависи от самия продукт или дистрибутора.

МОНТИРАНЕ НА ПРОДУКТА

Инструкции за монтиране

За хладилни уреди с климатичен клас

- В зависимост от климатичния клас, този хладилен уред е предназначен за употреба при посочените в долната таблица температурни диапазони.
- Климатичният клас е посочен на табелката на уреда. Продуктът може да не работи оптимално при температури извън посочения диапазон.
- Климатичният клас на продукта е посочен върху неговия етикет.

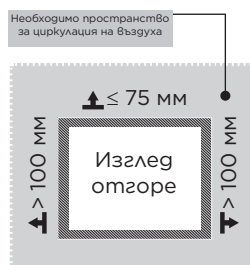
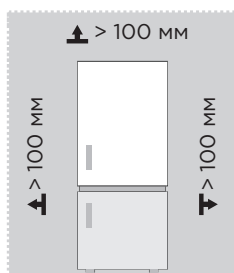
Температурен диапазон на ефективност

- Продуктът е проектиран да работи нормално в указания за неговия клас температурен диапазон.

Клас	Символ	Диапазон на околната температура ° C	
		IEC 62552 (ISO 15502)	ISO 8561
Разширен клас за умерен климат	SN	+10 go +32	+10 go +32
Клас за умерен климат	N	+16 go +32	+16 go +32
Клас за субтропичен климат	ST	+16 go +38	+18 go +38
Клас за тропичен климат	T	+16 go +43	+18 go +43

Размери и отстояния

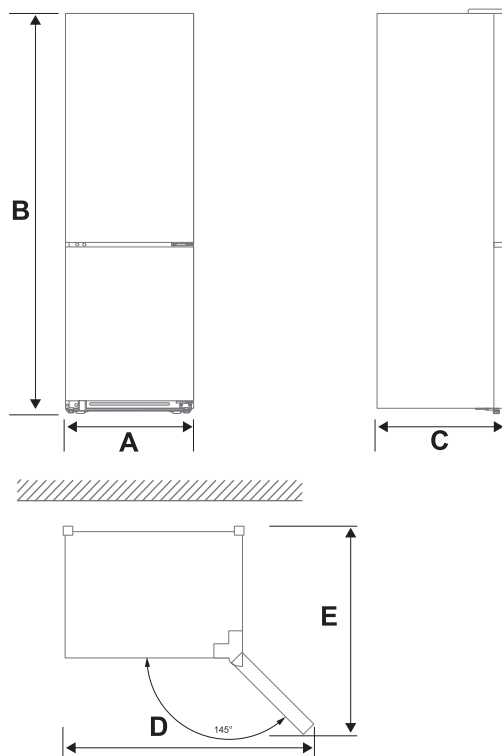
- Оставете място около уреда за свободна циркулация на въздух. При инсталиране на уреда оставете 10 cm свободно пространство от двете страни, 10 cm отгоре и не повече от 7,5 cm отзад.



ATTENTION

Горното изображение е само за справка. Действителната конфигурация зависи от самия продукт или дистрибутора.

Диаграма на пространствените изисквания (при отворена и при затворена врата)



BG

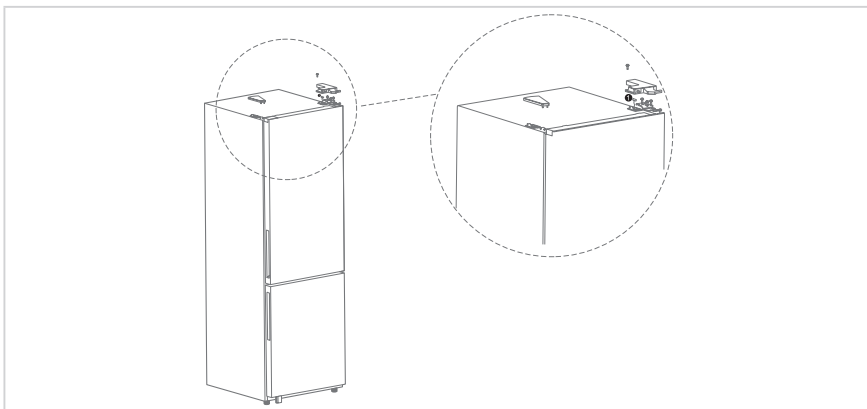
Модел	Ширина	Обща височина	Дълбочина	Ширина при отворени на 145° врати	Дълбочина при отворени на 145° врати
	A	B	C	D	E
MDRB548MME*	595	1860	670	960	1070
MDRB600MME*	595	2010	670	960	1070

Забележка: Всички размери са в мм

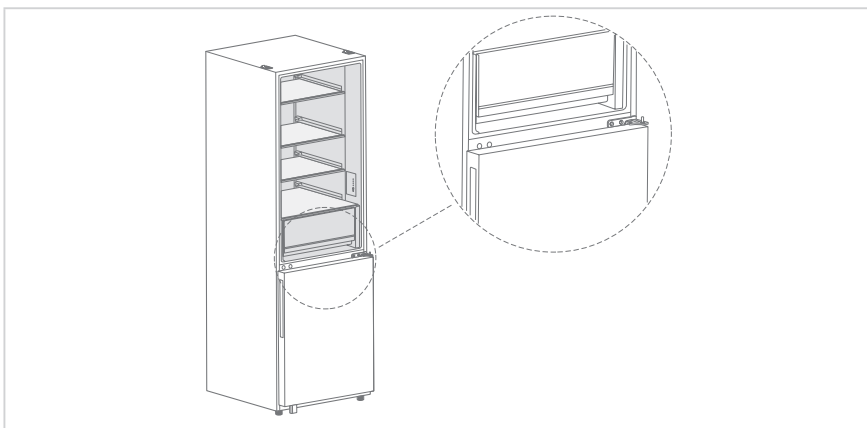
Обръщане на вратата

Въз основа на мястото, на което искате да използвате хладилника, можете да промените позицията на вратата.

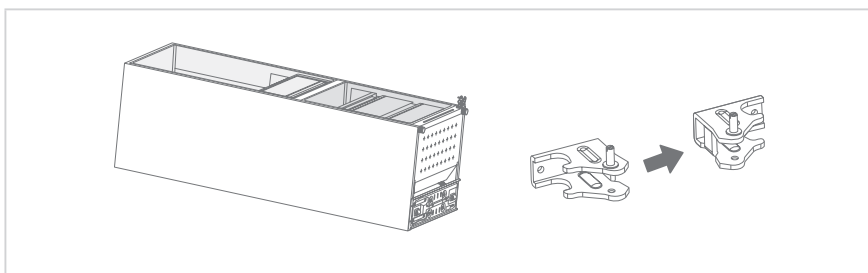
1. Извадете предметите от корпуса на вратата.
2. Свалете декоративния капак на горната лява панта, капака на горната дясна панта, горната дясна панта, изключете сигналната линия от горната дясна страна на тялото на хладилника (1 сигнална линия).



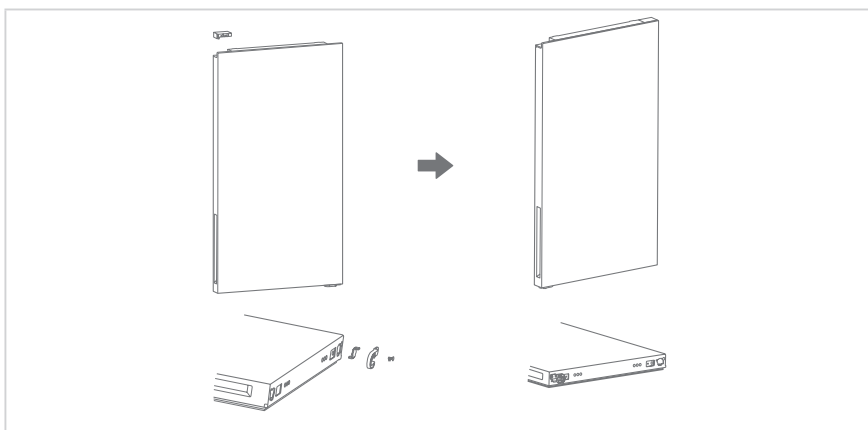
3. Извадете корпуса на вратата на хладилника (внимавайте да не загубите малки части, като ограничители на вратите); Извадете средната панта за резервна употреба и свалете декоративния капак на отвора на пантата, капачката и винтовете от другата страна.



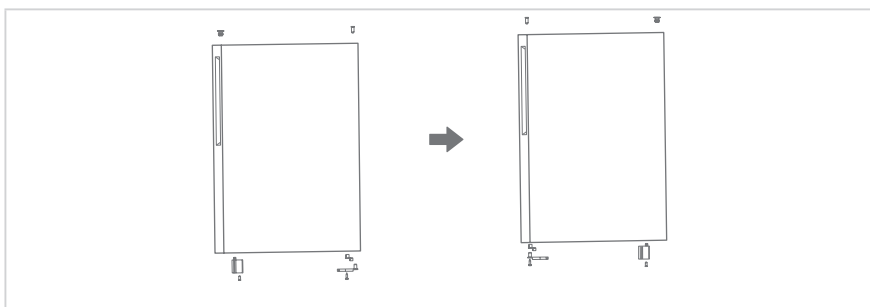
4. Извадете корпуса на вратата на фризера (внимавайте да не загубите малки части, като например втулките на вала и ограничители за вратата); Извадете долната панта, извадете долния вал на пантата и го монтирайте от другата страна на пантата, извадете долната панта, извадете долния вал на пантата и го монтирайте от другата страна на пантата за резервна употреба.



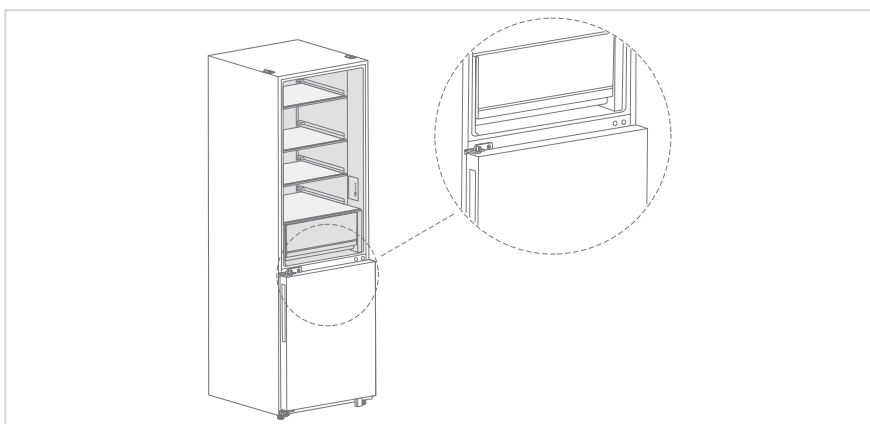
5. Смяна на хладилната врата; Свалете левия декоративен капак, извадете десния декоративен капак от пакета с аксесоари и го монтирайте от другата страна на горния краен капак; извадете самозаклучващата се хладилна врата, ограничителя на вратата, извадете самозаклучващата се лява врата от пакета с аксесоари и на свой ред монтирайте ограничителя на вратата и самозаклучващата се лява врата от лявата страна на долния краен капак.



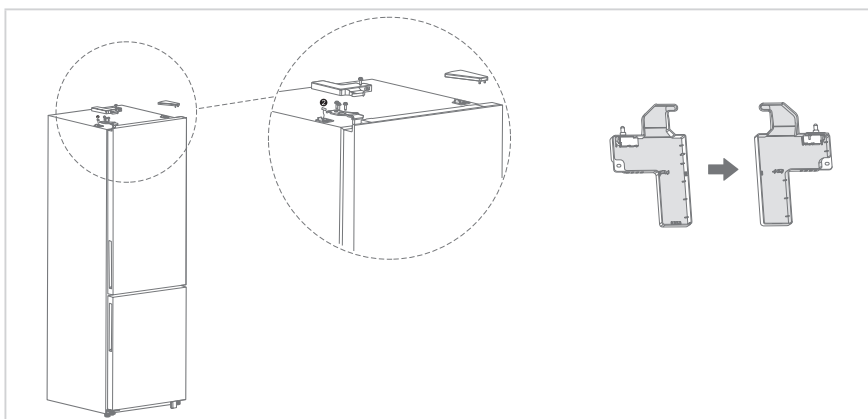
6. Обръщане на вратата на фризера; Извадете горния краен капак на вратата на фризера и поставете капака в лявата и дясната взаимозаменяеми позиции; Извадете самозаклучващата се врата на фризера, ограничителя на вратата и опората на вратата, извадете самозаклучващата се лява врата от пакета с аксесоари, монтирайте ограничителя на вратата и самозаклучващата се лява врата от лявата страна на долния краен капак на фризера на свой ред и монтирайте опората на вратата от дясната страна на долния краен капак на фризера.



7. Монтирайте средната панта и закрепете към нея вратата на фризера, след това монтирайте долната панта и покрийте отвора от пантата с декоративния капак.



8. Махнете левия капак на горната панта от пакета с аксесоари, лявата горна панта, извадете превключвателя, инсталиран на кака на дясната панта и го монтирайте на левия горен капак на пантата; поставете тялото на хладилната врата на средната панта и монтирайте лявата горна панта; свържете горната сигнална линия ② от лявата страна на хладилника и превключвателя на кака на лявата панта, покрийте и фиксирайте кака на лявата панта и накрая монтирайте декоративния капак на пантата от дясната страна на тялото на хладилника.



💡 ATTENTION

Поради технически промени и различни модели, някои от илюстрациите в това ръководство може да се различават от вашия модел.

- Уверете се, че хладилникът е изключен и празен.
- Осигурете някой да Ви помага в процеса.
- Запазете всички части, които сваляте, за да ги използвате отново по-късно.



Крачета за нивелиране

За да избегнете вибрации, уредът трябва да бъде нивелиран.

Ако е необходимо, регулирайте винтовете за нивелиране, за да компенсирате неравността на пода.

Предната част трябва да бъде разположена малко по-високо от задната, за да се подпомогне затварянето на вратата.

Винтовете за нивелиране могат да се завъртят лесно чрез леко накланяне на корпуса.

Завъртете винтовете за нивелиране обратно на часовниковата стрелка , за да повдигнете уреда, и по часовниковата стрелка , за да го снижите.

Преместване на уреда

1. Извадете храната от уреда.
2. Извадете щепсела на захранването, вкарайте го и го фиксирайте на специалната за него кука от задната страна или в горната част на уреда.
3. Залепете с тиксо отделните части, като рафтовете и гръжката на вратата, за да предотвратите изпадане по време на преместването.
4. Уредът трябва да се премества внимателно от повече от една души. При транспортиране на уреда на дълго разстояние го гръжете изправен.
5. След като поставите уреда, свържете захранващия щепсел към контакта и го включете.

ATTENTION

Предпазни мерки преди работа:

Преди извършването на промени, хладилникът трябва да бъде изключен от захранването.

Трябва да се вземат предпазни мерки, за да се предотвратят наранявания.

Смяна на крушката

- Смяната или поддръжката на LED лампите се извършват от производителя, негов сервизен агент или друго квалифицирано лице.

ATTENTION

Този продукт съдържа светлинен източник с клас на енергийна ефективност (G).

Свързване на уреда

След като монтирате уреда, свържете захранващия щепсел към контакта.

ATTENTION

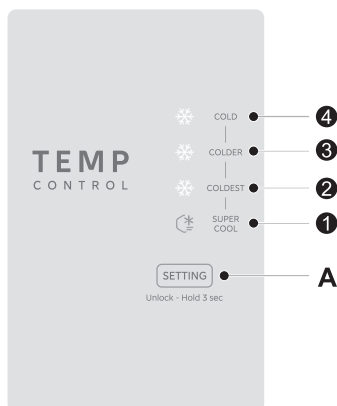
След като свържете захранващия кабел (или щепсел) към контакта, изчакайте 2-3 часа, преди да поставите продукти в уреда. Ако поставите храна преди пълното охлаждане на уреда, тя може да се развали.

Съвети за енергоспестяване

- Не поставяйте уреда в близост до готварски печки, радиатори или други източници на топлина. Ако околната температура е висока, компресорът ще се включва по-често и за по-дълги периоди от време, което води до повишено потребление на електроенергия.
- Осигурете да има достатъчна вентилация в основата на уреда, около неговите страни и при задната част. Никога не покривайте вентилационните отвори.
- Моля, също така спазвайте размерите на отстоянията, дадени в глава „Монтаж“.
- Показаното на илюстрацията разположение на чекмеджета, рафтове и стелажи предлага най-ефективно потребление на енергията и поради това трябва да се запази, доколкото е възможно. Всички чекмеджета и рафтове трябва да останат в уреда, за да се поддържа постоянна температура и да се спестява енергия.
- За да получите по-голямо пространство за съхранение (напр. за обемни храни), средните чекмеджета могат да се премахнат. Горните и долните чекмеджета и рафтове трябва да се изваждат последни при необходимост.
- Равномерното напълване на отделенията на хладилника/фризера допринася за оптимално използване на енергията. Поради това избягвайте да оставяте празни или полупразни отделения.
- Оставете топлата храна да се охлади, преди да я поставите в хладилника/фризера. Вече охладената храна подобрява енергийната ефективност.
- Оставете замразената храна да се размрази в хладилника. Студената на замразената храна намалява енергийното потребление в хладилното отделение и така увеличава енергийната ефективност.
- Отваряйте вратата само за толкова дълго, колкото е необходимо, за да намалите загубата на студ. Краткото отваряне на вратата и добротото ѝ затваряне намалява потреблението на енергия.
- Уплътненията на вратата на вашия уред трябва да са напълно здрави, така че вратата да се затваря правилно и да няма излишно увеличаване на консумацията на енергия.

ИНСТРУКЦИИ ЗА РАБОТА

Панел за управление



Бутон

A Бутон за настройване на температурата

Екран на дисплея

1	LED1 (СУПЕР СТУДЕНО)
2	LED2 (2 °C/НАЙ-СТУДЕНО)
3	LED3 (4 °C/ПО-СТУДЕНО)
4	LED4 (8 °C/СТУДЕНО)

Екран на дисплея

- При първото включване ще се покаже напълно за 3 секунди и след това ще се показва нормално; (първия път задайте на степен 4 °C).
- Когато възникне проблем, той показва кода на проблема (в режим на показване на цикъла). В нормално състояние се показва зададената степен на хладилника вместо кода за проблема.
- При нормални обстоятелства, ако 15 секунди не се докосва бутон, настройката ще влезе в сила.

Заклучване и отключване

- Натиснете и задръжте за 3 секунди, за да отключите, LED светлината мига, за да покаже, че отключването е успешно, а заключването става автоматично след 15 секунди без натискане на бутон.

ЗАБЕЛЕЖКА

Реалният панел за управление може да се различава в различните модели.

BG

Инструкции за работа

Настройка на температурата

- Натиснете бутона SETTING веднъж, за да промените температурната настройка.
- Регулирайте степените на: LED4 -> LED3 -> LED2 -> LED1 -> LED4

Режим на бързо охлаждане

Влизане в режима:

- Натиснете бутона за контрол на температурата, за да светне LED1.

Режим на работа:

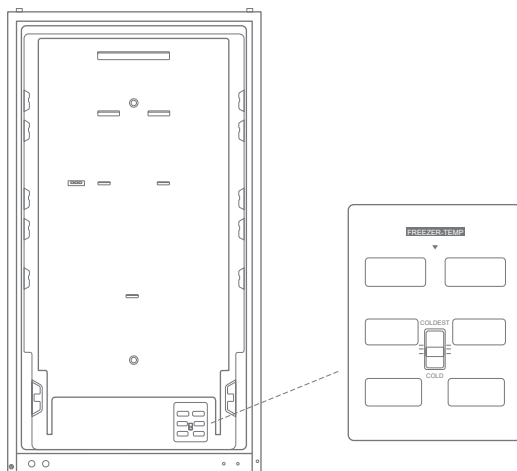
- Компресорът работи на максимална скорост при текущата температура на околната среда.
- Вентилаторът работи при текущата скорост -1 степен (приоритетът е по-нисък от претоварването).
- Използва се в съответствие с точката на стартиране и спиране на скоростно охлаждащия механизъм с 2 градуса и не се размразява по време на периода на бързо замразяване (с изключение на размразяването при включено хранване).
- Размразяване веднъж след изход от бързо охлаждане.

Излизане от режима:

- Настройте температурата, за да излезете от режима на бързо охлаждане.
- Излезте след 16 часа работа в режим на бързо охлаждане.

Регулиране на лопатката на въздушния канал

Обърнете плъзгача на въздушната клапа нагоре и температурата във фризерното отделение ще падне. Придвижването на плъзгача наогул води до увеличаване на температурата във фризерното отделение.



Код на грешка

- Следните предупредителни сигнали, които се появяват на дисплея, показват съответните неизправности на хладилника. Въпреки че хладилникът може да има функции на охлаждане и замразяване при следните неизправности, потребителят трябва да се свърже със специалист по поддръжката, за да се гарантира нормалната работа на уреда.

Код на грешката	Описание на грешката
LED 1 и LED2 мигат	Неизправност в температурния сензор на хладилника
LED 1 и LED3 мигат	Неизправност в сензора за размразяване на фризера
LED 1 и LED4 мигат	Неизправност в сензора за околна температура

Съвети за съхраняване на храна

Фризерно отделение

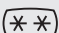
- Фризерът е предназначен само за съхранение на храна, която е замразена при много ниска температура, за дългосрочно съхраняване на замразена храна и за създаване на лед.
- Използвайте рафтовете на вратата на фризера само за съхранение на вече замразена храна и не поставяйте там топла храна, която трябва да се замрази.
- Не поставяйте прясна и замразена храна една до друга. Замразената храна може да се размрази.
- При замразяване на прясна храна (като месо, риба или нарязано месо), нарежете я на части, които могат да се използват наведнъж.
- Съхранение на замразена храна: обикновено на опаковките са указани инструкции, които трябва да се спазват. Ако на опаковката няма указана информация, храната не трябва да се съхранява за повече от три месеца след датата на закупуване.
- При закупуване на замразена храна се уверете, че е замразена при подходяща температура и че опаковката не е повредена.
- Замразената храна трябва да се държи в подходящи опаковки, които да запазват качеството ѝ, и трябва да се върне в отделението на фризера възможно най-скоро.
- Ако по опаковката на замразена храна има влага или е необичайно подута, е възможно храната да е била съхранявана при неподходяща температура и да е развалена.
- Времето на съхранение на замразена храна зависи от стайната температура, настройката на термостата, честотата на отваряне на вратата на фризера, типа на храната и времето за транспортиране на храната от магазина до дома. Винаги следвайте отпечатаните на опаковката инструкции и не превишавайте посоченото на нея максимално време на съхранение.

Отделение за охлаждане

- За да намалите влагата и последващото натрупване на лед, никога не поставяйте в хладилника течности в недобре затворени съдове. Ледът се образува най-напред по най-хладните части на изпарителя. Съхраняването на непокрити течности води до много по-честа необходимост от размразяване.
- Никога не поставяйте топла храна в хладилника. Тя най-напред трябва да се охлади до стайна температура и след това да се постави по такъв начин, че да осигури достатъчна въздушна циркулация в хладилника.
- Храните или съдовете с храни не трябва да докосват задната стена на хладилника, тъй като могат да залепнат към нея. Не отваряйте често вратата на хладилника.
- Месото и чистата риба (опакована в пластмасово фолио) може да се поставят в хладилника и може да се използват в рамките на 1-2 дни.
- Плодовете и зеленчуците без опаковка могат да се поставят в специално отредената за свежи плодове и зеленчуци част.

ATTENTION

Оптималната температурна настройка на всяко отделение зависи от околната температура. Дадената по-горе оптимална температура е при околна температура от 25 °C.

Рег	ТИП на отделенията	Целева температура на съхранение [°C]	Подходящи храни
1	Хладилник	$+2 \leq x \leq +8$	Яйца, готвена храна, пакетизирана храна, плодове и зеленчуци, млечни продукти, сладкиши, напитки и други храни, които не са подходящи за замразяване.
2	 Замразени храни с четири звезди	$x \leq -18$	С капацитет на замразяване, бързо замразяване, може бързо да замрази и съхрани храна. Подходящо за замразени храни като морски дарове (риба, скариди, миди), сладководни продукти и месни продукти. Препоръчва се за 3 до 6 месеца, като колкото по-дълго се съхранява, толкова повече се влошават вкусовете и хранителните качества.
3	 Замразени храни с три звезди	$x \leq -18$	С капацитет на замразяване. Подходящо за замразени храни като морски дарове (риба, скариди, миди), сладководни продукти и месни продукти. Препоръчва се не повече от 3 месеца.
4	 Замразени храни с две звезди	$x \leq -12$	Подходящо само за средносрочно съхраняване на вече замразени храни, напр. сладолед. Препоръчва се не повече от 1 месец.
5	 Замразени храни с една звезда	$x \leq -6$	Подходящо е само за охлаждане и краткосрочно съхранение на малки количества вече замразени храни. Препоръчва се не повече от 1 седмица.
6	0-звезди	$-6 \leq x \leq 0$	Прясно свинско, телешко месо, риба, пиле, някои пакетизирани обработени храни и др. (препоръчва се да се консумира в рамките на деня, за предпочитане след не повече от 3 дни). Частично капсулирани обработени храни (неподходящи за замразяване продукти).
7	Охлаждане	$-2 \leq x \leq +3$	Прясно / замразен свинско, телешко месо, пиле, сладководни продукти и др. (7 дни под 0°C , а над 0°C се препоръчва да се консумира в рамките на деня, за предпочитане след не повече от 2 дни). Морски дарове под 0°C за 15 дни, не се препоръчва съхранение над 0°C .
8	Пресни храни	$0 \leq x \leq +4$	Прясно свинско, телешко месо, риба, пиле, готвена храна и др. (препоръчва се да се консумира в рамките на деня, за предпочитане след не повече от 3 дни)
9	Вино	$+5 \leq x \leq +20$	Червено вино, бяло вино, пенливо вино и др.

BG

ATTENTION

Съхранявайте различните хранителни продукти в препоръчаните отделения или съгласно целевата температура на съхранение.

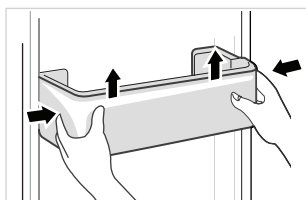
ПОЧИСТВАНЕ И ПОДДРЪЖКА

Размразяване

- Хладилникът е проектиран на принципа на въздушното охлаждане и затова има функция за автоматично размразяване. Скрежът, образуван заради смяната на сезона или промяна в температурата, може да бъде отстранен също и ръчно, като изключите уреда от захранването или като забършете със суха кърпа.

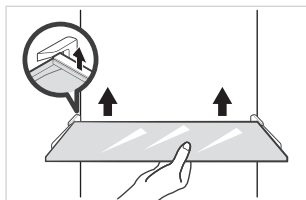
Почистване на тавата на вратата

- Според посоката на стрелката на фигурата по-долу, стиснете с две ръце тавата и я натиснете нагоре, за да я извадите.
- След като измиете извадената тава, можете да регулирате височината, на която да я поставите, според вашите предпочитания.



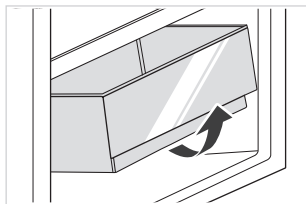
Почистване на стъкления рафт

- Тъй като на най-вътрешната част на облицовката на хладилника, където се опират рафтовете, има заден ограничител, трябва да повдигнете рафтовете нагоре, за да можете да ги извадите.
- Регулирайте или почистете рафтовете според вашите предпочитания.



Почистване на чекмеджето за зеленчуци

1. Извадете съдържанието на чекмеджето. Хванете дръжката на чекмеджето за зеленчуци и го издърпайте докрай, докато не спре.
2. Повдигнете чекмеджето за зеленчуци и го извадете, като го издърпате навън.



● ATTENTION

За почистването се препоръчва използването на меки кърпи или гъби, потопени във вода и некорозивни неутрални миещи препарати. Накрая фризерът трябва да се почисти с чиста вода и суха кърпа. Отворете вратата, за да изсъхне естествено, преди включване на захранването. Не използвайте твърди четки, стоманени телчета, метални четки, абразиви, като паста за зъби, органични разтворители, като алкохол, ацетон, бананово масло и пр., вряла вода, киселина или алкални предмети, защото могат да увредят външната повърхност и вътрешността на хладилника.

ОТСТРАНЯВАНЕ НА ПРОБЛЕМИ

Следните прости проблеми могат да се разрешат от потребителя. Обадете се на сервизния отдел, ако проблемите не бъдат отстранени.

Проблем	Възможна причина
Неуспешна работа	• Проверете дали уредът е свързан към захранването или щепселът е добре вкаран в контакта
	• Проверете дали напрежението е твърде ниско
	• Проверете дали има прекъсване на тока или изключени частични вериги
Миризма	• Ароматните храни трябва да бъдат опаковани плътно
	• Проверете дали няма развалена храна
	• Почистете вътрешността на хладилника
Продължителна работа на компресора	• Продължителната работа на хладилника е нормална през лятото, когато околната температура е висока
	• Не е препоръчително да гържите твърде много храна в уреда едновременно
	• Храната трябва да се охлади преди да се сложи в уреда
	• Вратите се отварят твърде често
Светлината не светва	• Проверете дали хладилникът е свързан към захранването и дали лампата не е повредена
	• Лампата трябва да се смени от специалист
Вратата не може да се затвори правилно	• Пакети с храна пречат на вратата да се затвори плътно
	• Хладилникът е наклонен.
Силен шум	• Проверете дали подът е равен и дали хладилникът е поставен правилно
	• Проверете дали аксесоарите са поставени на правилните места

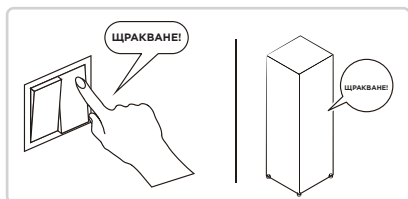
Проблем	Възможна причина
Уплътнението на вратата не е здраво	<ul style="list-style-type: none"> • Извадете чуждите тела от уплътнението на вратата • Затоплете уплътнението на вратата и след това го охладете, за да се възстанови (издухайте го със сешоар или използвайте гореща кърпа за затопляне)
Тавичката за вода прелива	<ul style="list-style-type: none"> • В камерата има твърде много храна или съхраняваната храна съдържа твърде много вода, което води до силно размразяване • Вратите не са затворени правилно, което води до заскрежаване заради влизането на въздух и повече вода заради размразяването
Горещ корпус	<ul style="list-style-type: none"> • Топлината от вграденния кондензатор се разсейва чрез корпуса, което е нормално. Когато корпусът се нагрее поради висока околна температура, съхранение на твърде много храна или изключване на компресора, осигурете добра вентилация за улесняване на разсейването на топлината
Кондензация по повърхността	<ul style="list-style-type: none"> • Кондензацията по външната повърхност и уплътненията на вратите на хладилника е нещо нормално, когато влажността на околната среда е твърде висока. Просто избършете кондензата с чиста кърпа.
Необичаен шум	<ul style="list-style-type: none"> • Бръмчене: Компресорът може да бръмчи по време на работа, като шумът е особено силен при стартиране и спиране. Това е нормално. • Скърцане: Хладилният агент, който тече вътре в уреда, може да предизвика скърцане, което е нормално.

Чувате ли описаните по-году притеснителни звуци? Обикновено тези звуци са нормални.



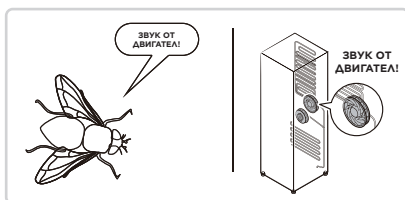
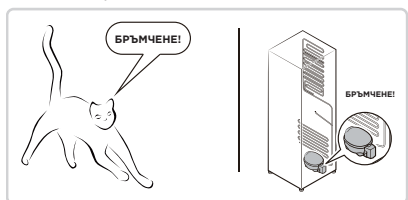
ЩРАКВАНЕ: Някои електрически части на хладилника, например електрически клапан, издават този звук при работата си. Това е нормално.

СЪСКАНЕ: При протичането на хладилния агент през изпарителя той издава този звук. Това е нормално.



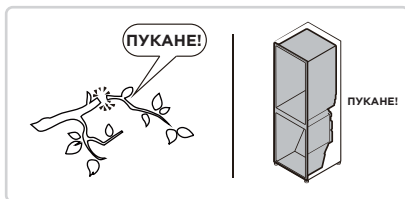
БРЪМЧЕНЕ: Компресорът може да издава този звук по време на работата си, а бръмченето е силно особено при включване и изключване. Това е нормално.

ЗВУК ОТ ДВИГАТЕЛ: Двигателят на вентилатора на хладилниците с принудителен въздух издават този звук при работата си. Това е нормално.



БЪЛБУКАНЕ: Хладилният агент издава този звук при протичане в тръбите на хладилника. Това е нормално.

ПУКАНЕ: Звук на пукане или на счупване на лед: цялостната конструкция на хладилника издава този звук при температурните свивания и разширения и заледряването на въздуховодите, това също са нормални физични явления.



BG

ДОПЪЛНЕНИЕ

Специално за новия европейски стандарт

Поръчаните части, описани в долната таблица, могат да бъдат получени от доставчика на услуги

Поръчана част	Предоставена от	Минимално време, необходимо за предоставяне
Термостати	Професионален обслужващ персонал	Поне 7 години след пускането на пазара на последния модел
Температурни сензори	Професионален обслужващ персонал	Поне 7 години след пускането на пазара на последния модел
Печатни електронни платки	Професионален обслужващ персонал	Поне 7 години след пускането на пазара на последния модел
Източници на светлина	Професионален обслужващ персонал	Поне 7 години след пускането на пазара на последния модел
Дръжки за вратите	Професионални сервизни техници и крайни потребители	Поне 7 години след пускането на пазара на последния модел
Панти за вратите	Професионални сервизни техници и крайни потребители	Поне 7 години след пускането на пазара на последния модел
Тави	Професионални сервизни техници и крайни потребители	Поне 7 години след пускането на пазара на последния модел
Кошници	Професионални сервизни техници и крайни потребители	Поне 7 години след пускането на пазара на последния модел
Уплътнения за вратите	Професионални сервизни техници и крайни потребители	Поне 10 години след пускането на пазара на последния модел

BG

Уважаеми клиенти,

1. Ако искате да върнете или замените продукта, моля, свържете се с магазина, от който сте го купили.
(Не забравяйте да гонесете фактурата за покупката)
2. Ако вашият продукт се повреди и трябва да се поправи, моля, свържете се с представител, предлагащ следпродажбено обслужване.

ЗАБЕЛЕЖКА

Информацията за модела в продуктовата база данни, както и идентификаторът на модела, могат да бъдат получени на уеб връзката, сканирана чрез QR кода (ако е наличен) на етикета за енергийна ефективност на продукта.

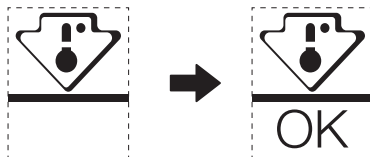
За повече информация относно енергийната ефективност на уреда вижте <https://ec.europa.eu> и потърсете името на модела.

Името на модела е посочено на информационната табелка на уреда.

Най-студена зона на хладилника

ОПЦИОНАЛНО: Индикатор за добра температура

- Индикаторът за добра температура може да се използва за определяне на температури под +4 °С. Постепенно намалете температурата, ако знакът не показва „ОК“.



- За да осигурите правилната температура в тази зона, не променяйте разположението на този рафт. При хладилниците с принудителен въздух (моделите, снабдени с вентилатор или обезскрежаване) няма символ за най-студена зона, тъй като температурата в тях е равномерно разпределена.

Настройка на температурния индикатор

- С цел по-добра настройка на вашия хладилник, той е снабден с температурен индикатор, който следи средната температура в най-студената зона.
- ПРЕДУПРЕЖДЕНИЕ: Този индикатор е предназначен да работи единствено с вашия хладилник. Не го използвайте за друг хладилник (където най-студената зона е различна) или по какъвто и да е друг начин.

Проверка на температурата в най-студената зона

- С помощта на температурния индикатор можете редовно да проверявате дали температурата в най-студената зона е правилна. Температурата във вътрешността на хладилника в действителност зависи от няколко фактора, сред които са околната температура в помещението, количеството съхранявана храна и честотата на отваряне на вратата. Вземете предвид тези фактори, когато настройвате уреда.
- Когато индикаторът показва „ОК“, това означава, че термостатът е настроен подходящо и вътрешната температура е правилна.
- Ако цветът на температурния индикатор стане БЯЛ, това означава, че температурата е твърде висока. В такъв случай увеличете настройката за температурата на хладилника и изчакайте 12 часа, преди да проверите индикатора отново. Възможно е индикаторът да стане БЯЛ известно време след добавяне на нова храна или след като вратата била оставена отворена.

PADĖKOS LAIŠKAS

Dėkojame, kad pasirinkote „Midea“! Prieš naudodamiesi naujuoju „Midea“ gaminiu, atidžiai perskaitykite šį vadovą ir įsitikinkite, kad žinote, kaip saugiai naudotis naujojo prietaiso savybėmis ir funkcijomis.

TURINYS

PADĖKOS LAIŠKAS -----	01
SPECIFIKACIJOS -----	02
GAMINIO APŽVALGA -----	03
GAMINIO MONTAVIMAS -----	05
NAUDOJIMO INSTRUKCIJOS -----	12
VALYMAS IR PRIEŽIŪRA -----	17
TRIKČIŲ ŠALINIMAS -----	18
PRIEDAS -----	21

SPECIFIKACIJOS

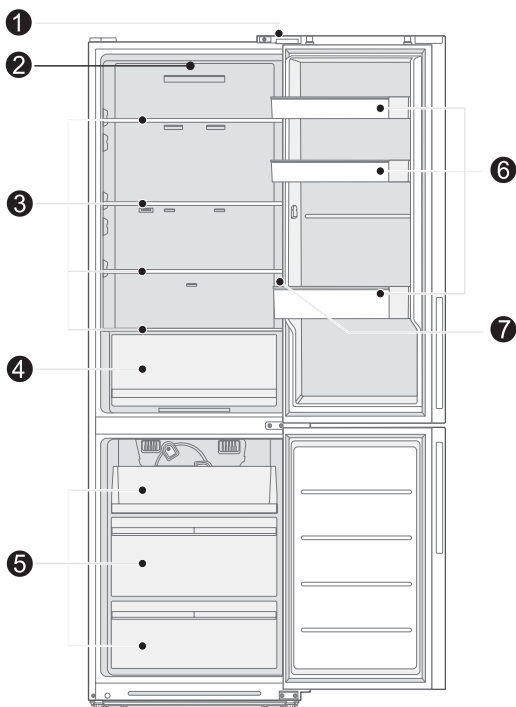
Gaminio modelis	MDRB548MME*
Vardinė įtampa / dažnis	220-240 V- / 50 Hz
Vardinė srovė	1,4 A
Bendroji talpa	401 l
Šviežių maisto produktų laikymo skyriaus talpa	271 l
Keturių žvaigždučių skyriaus talpa	130 l
Šaldymo geba	8,0 kg / 24 val.
Temperatūros didėjimo laikas	8 val.
Bendrieji matmenys (P x G x A)	595x670x1860 mm

Gaminio modelis	MDRB600MME*
Vardinė įtampa / dažnis	220-240 V- / 50 Hz
Vardinė srovė	1,4 A
Bendroji talpa	443 l
Šviežių maisto produktų laikymo skyriaus talpa	313 l
Keturių žvaigždučių skyriaus talpa	130 l
Šaldymo geba	8,0 kg / 24 val.
Temperatūros didėjimo laikas	8 val.
Bendrieji matmenys (P x G x A)	595x670x2010 mm

GAMINIO APŽVALGA

Sudedamųjų dalių pavadinimai

MDRB548MME*



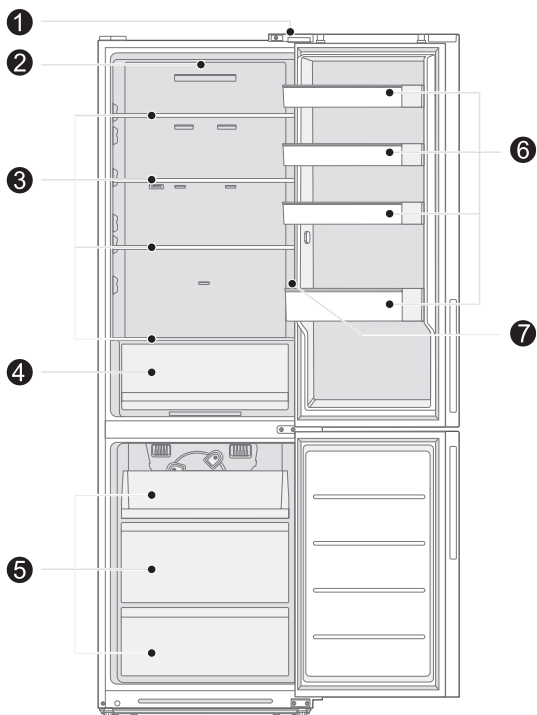
- | | | | |
|---|---------------------------|---|------------------|
| 1 | Durelių jungiklis | 5 | Stalčius |
| 2 | LED lemputė | 6 | Durelių dėklas |
| 3 | Lentyna | 7 | Valdymo skydelis |
| 4 | Vaisių ir daržovių dėžutė | | |

DĖMESIO

Pirmiau pateiktas paveikslėlis yra tik informacinis. Faktinė konfigūracija priklausys nuo konkretaus gaminio arba jo pardavimo atstovo pareiškimo.

LT

MDRB600MME*



- | | | | |
|---|---------------------------|---|------------------|
| 1 | Durelių jungiklis | 5 | Stalčius |
| 2 | LED lemputė | 6 | Durelių dėklas |
| 3 | Lentyna | 7 | Valdymo skydelis |
| 4 | Vaisių ir daržovių dėžutė | | |

DĖMESIO

Pirmiau pateiktas paveikslėlis yra tik informacinis. Faktinė konfigūracija priklausys nuo konkretaus gaminio arba jo pardavimo atstovo pareiškimo.

GAMINIO MONTAVIMAS

Montavimo instrukcijos

Šaldymo prietaisams su klimato klase

- Priklausomai nuo klimato klasės, šis šaldymo prietaisas skirtas naudoti aplinkos temperatūrų diapazone, nurodytame šioje lentelėje.
- Klimato klasė nurodyta produkto duomenų lentelėje. Gaminys gali tinkamai neveikti, jei temperatūra yra už nurodyto diapazono ribų.
- Klimato klasę galite rasti gaminio etiketėje.

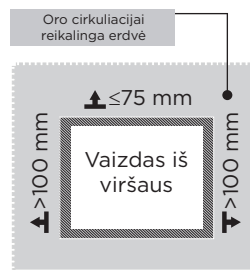
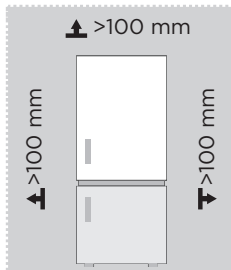
Efektyvus temperatūros diapazonas

- Gaminys suprojektuotas taip, kad normaliai veiktų temperatūros diapazone, kurį nurodo jo klasės reitingas.

Klasė	Simbolis	Aplinkos temperatūros diapazonas, °C	
		IEC 62552 (ISO 15502)	ISO 8561
Išplėstas vidutinis	SN	Nuo +10 iki +32	Nuo +10 iki +32
Vidutinis	N	Nuo +16 iki +32	Nuo +16 iki +32
Subtropinis	ST	Nuo +16 iki +38	Nuo +18 iki +38
Tropinis	T	Nuo +16 iki +43	Nuo +18 iki +43

Matmenys ir atstumai

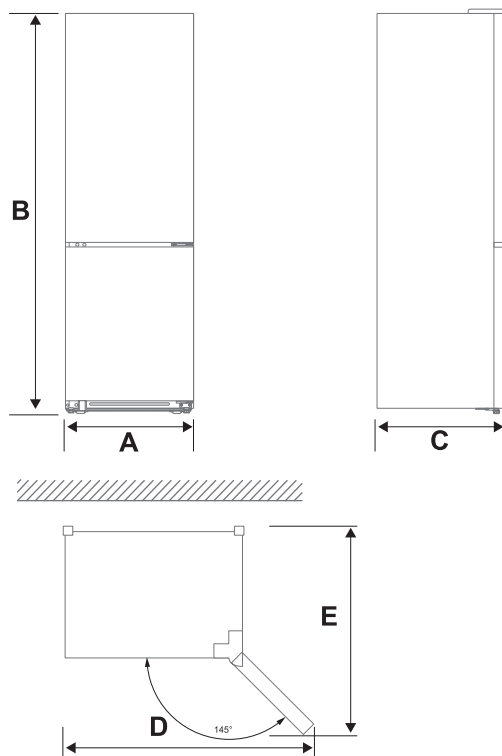
- Išlaikykite laisvą oro cirkuliaciją aplink spintą. Montuodami bloką, užtikrinkite 10 cm laisvos vietos abiejose pusėse, 10 cm bloko viršuje ir ne daugiau kaip 7,5 cm bloko gale.



● ATTENTION

Pirmiau pateiktas paveikslėlis yra tik informacinis. Faktinė konfigūracija priklausys nuo konkretaus gaminio arba jo pardavimo atstovo pareiškimo.

Erdvės poreikio diagrama (kai durys atidarytos ir kai durys uždarytos)



LT

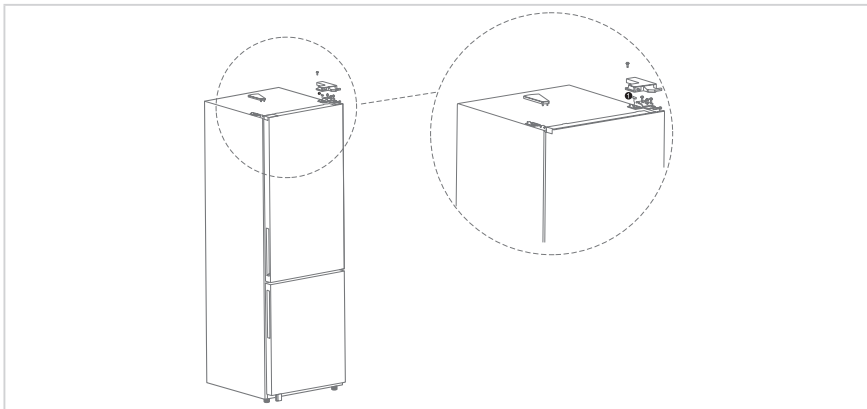
Modelis	Plotis	Bendras aukštis	Gylis	Plotis atidarius dureles 145° kampu	Gylis atidarius dureles 145° kampu
	A	B	C	D	E
MDRB548MME*	595	1860	670	960	1070
MDRB600MME*	595	2010	670	960	1070

Pastaba: Visi matmenys pateikti mm

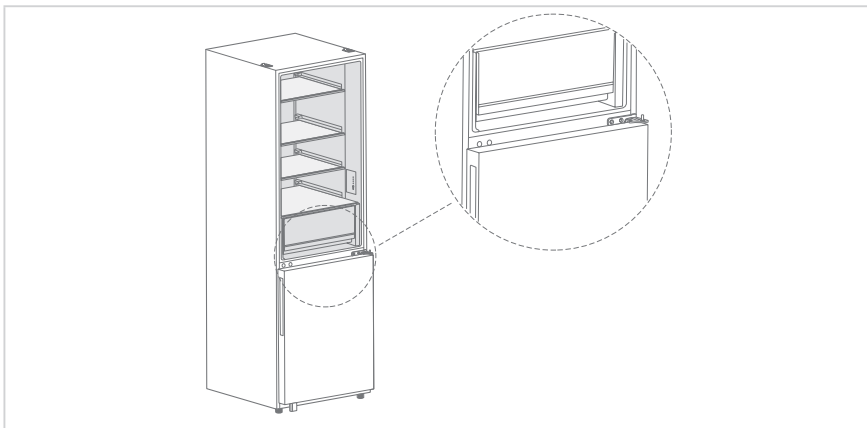
Durų apvertimas

Atsižvelgiant į vietą, kurioje planuojate naudoti šaldytuvą, gali būti praktiškiau pakeisti durų vietą.

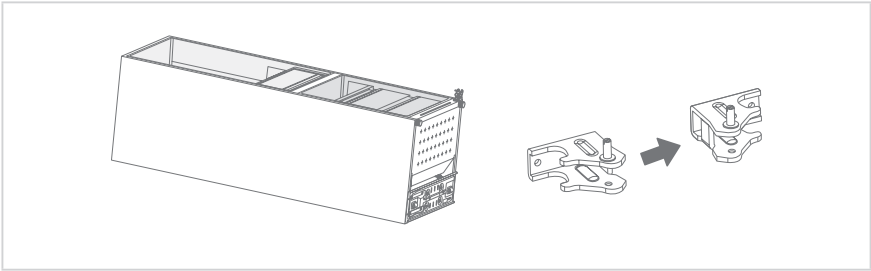
1. Nuimkite daiktus nuo durelių korpuso.
2. Nuimkite viršutinio kairiojo vyro dangčio dekoratyvinį dangtelį, viršutinio dešiniojo vyro dangtelį, viršutinį dešinįjį vyrį, atjunkite signalo liniją viršutinėje dešinėje šaldytuvo korpuso pusėje (1 signalo linija).



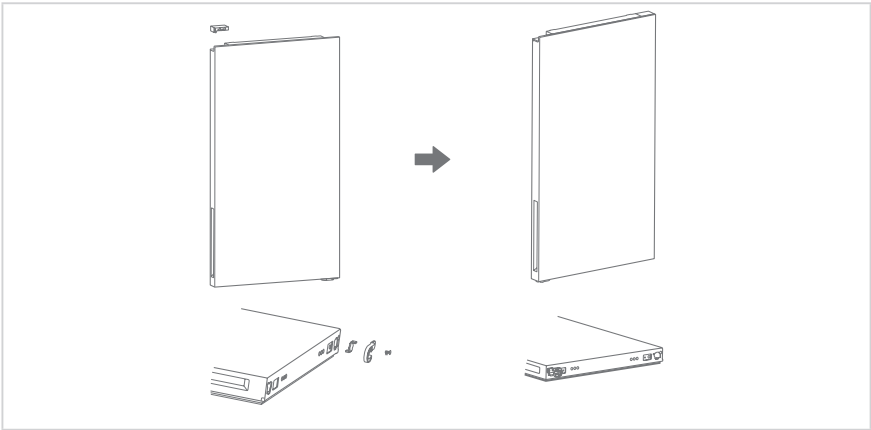
3. Nuimkite šaldytuvo durelių korpusą (atkreipkite dėmesį, kad neprarastumėte smulkių dalių, tokių kaip durelių kamštelių); nuimkite vidurinį vyrį atsarginiam naudojimui ir nuimkite vyrų angos dekoratyvinį dangtelį, dangtelį ir varžtus iš kitos pusės.



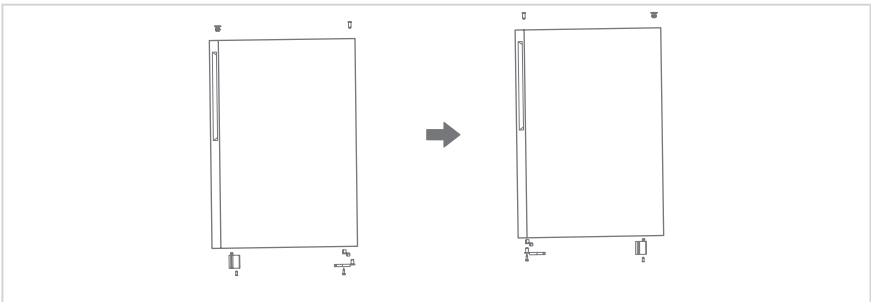
4. Nuimkite šaldiklio durelių korpusą (būkite atsargūs, kad neprarastumėte smulkių dalių, tokių kaip veleno įvorės ir durelių stabdikliai); nuimkite apatinį vyrį, nuimkite apatinį vyro veleną ir sumontuokite jį kitoje vyro pusėje, nuimkite apatinį vyrį, nuimkite apatinį vyro veleną ir sumontuokite jį kitoje vyro pusėje atsarginiam naudojimui.



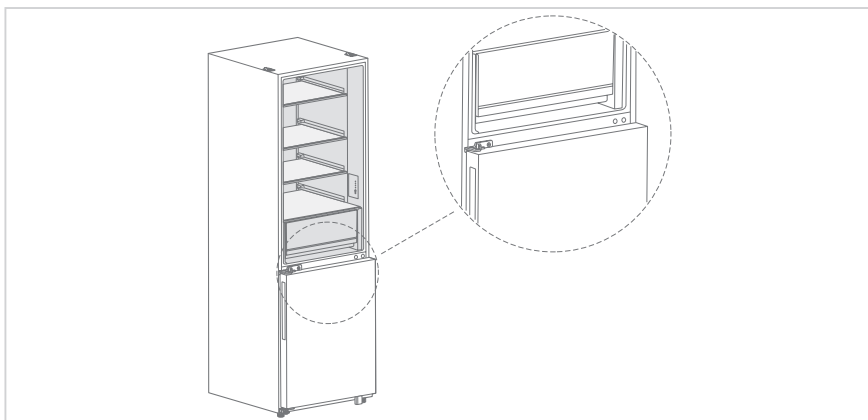
5. Šaldymo durelių keitimas. Nuimkite kairįjį dekoratyvinį dangtelį, paimekite dešinįjį dekoratyvinį dangtelį iš priedų paketo ir sumontuokite jį kitoje viršutinio galinio dangtelio pusėje; nuimkite šaldytuvo durelių fiksiatorių, durelių stabdiklį, paimekite kairiąsias dureles iš priedų paketo ir paeiliui sumontuokite durelių stabdiklį ir kairiąsias dureles į kairiąją apatinio galinio dangtelio pusę.



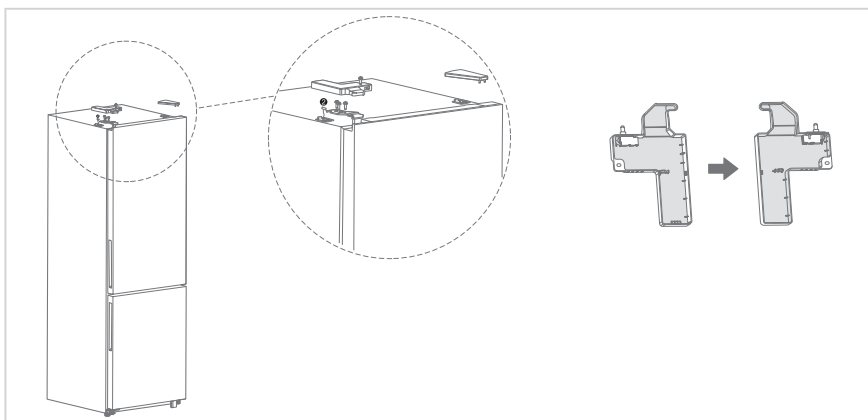
6. Šaldiklio durelių jungiklis. Nuimkite viršutinę šaldiklio durelių dangtelio įvorę ir uždėkite dangtelį kairėje ir dešinėje keičiamose padėtyse; nuimkite šaldiklio durelių fiksiatorių, durelių stabdiklį ir durelių atramą, paimekite kairiąsias dureles iš priedų paketo, įdėkite durelių stabdiklį ir kairiąsias dureles į kairiąją šaldiklio apatinio galinio dangtelio pusę ir įdėkite durelių atramą į dešiniąją šaldiklio apatinio galinio dangtelio pusę.



7. Sumontuokite vidurinį vyrį ir ant vidurinio vyro užmaukite šaldiklio dureles, tada sumontuokite apatinį vyrį ir uždenkite vyro angos dekoratyvinį dangtelį.



8. Iš priedų pakuotės paimkite kairiojo viršutinio vyro dangtelį, kairįjį viršutinį vyrį, nuimkite jungiklį, sumontuotą ant dešiniojo vyro dangtelio, ir sumontuokite jį ant kairiojo viršutinio vyro dangtelio; uždėkite šaldiklio durelių korpusą ant vidurinio vyro ir sumontuokite kairįjį viršutinį vyrį; ② prijunkite viršutinę signalo liniją kairėje šaldytuvo pusėje ir jungiklį ant kairiojo vyro dangtelio, uždenkite ir pritvirtinkite kairiojo vyro dangtelį, galiausiai sumontuokite vyro dangtelio dekoratyvinį gaubtelį dešinėje šaldytuvo korpuso pusėje.



● ATTENTION

Dėl techninių pakeitimų ir skirtingų modelių kai kurios šio vadovo iliustracijos gali skirtis nuo jūsų modelio.

- Įsitinkite, kad šaldytuvas atjungtas nuo elektros tinklo ir tuščias.
- Pasirūpinkite, kad kas nors padėtų jums šio proceso metu.
- Padėkite saugiai visas nuimtas dalis, kad galėtumėte jas panaudoti vėliau.

Išlyginančios kojelės

Kad išvengtumėte vibracijos, prietaisas turi būti suniveliuotas.

Jei reikia, sureguliuokite niveliavimo varžtus, kad būtų kompensuoti grindų nelygumai.

Priekinė dalis turėtų būti šiek tiek aukščiau nei galinė, kad būtų lengviau uždaryti duris.

Niveliavimo varžtus galima lengvai pasukti šiek tiek pakreipus spintelę.

Pasukite niveliavimo varžtus prieš laikrodžio rodyklę , kad pakeltumėte įrenginį, o pagal laikrodžio rodyklę  – kad nuleistumėte.

Prietaiso perkėlimas

1. Iš prietaiso išimkite visus maisto produktus.
2. Ištraukite maitinimo kištuką, įkiškite jį ir pritvirtinkite prie maitinimo kištuko kabliuko, esančio prietaiso gale arba viršuje.
3. Tokias dalis, kaip lentynos ir durelių rankena, apklijuokite lipnia juosta, kad judant prietaisui jos nenukristų.
4. Prietaisą atsargiai turi perkelti daugiau nei du žmonės. Jei prietaisą reikia perkelti dideliu atstumu, laikykite jį vertikaliajoje padėtyje.
5. Sumontavę prietaisą, įjunkite maitinimo kištuką į kištukinį lizdą ir įjunkite prietaisą.

ATTENTION

Atsargumo priemonės prieš operaciją:

Prieš atliekant pakeitimus, šaldytuvas turi būti atjungtas nuo elektros tinklo.

Reikia imtis atsargumo priemonių, kad būtų išvengta sužalojimų.

Lempučių keitimas

- Bet kokį šviesos diodų lempučių pakeitimą arba techninę priežiūrą turi atlikti gamintojas, jo techninės priežiūros agentas arba panašus kvalifikuotas asmuo.

ATTENTION

Šiame gaminyje yra energijos vartojimo efektyvumo klasės (G) šviesos šaltinis.

Prietaiso prijungimas

Sumontavę prietaisą, įjunkite maitinimo kištuką į kištukinį lizdą.

ATTENTION

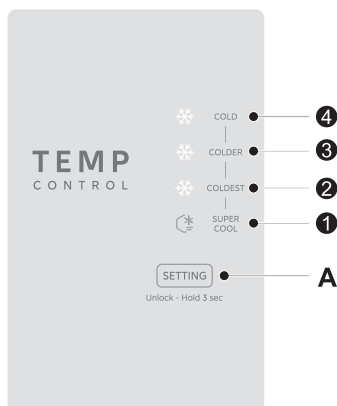
Prijungę maitinimo laidą (arba kištuką) prie elektros lizdo, palaukite 2 ar 3 valandas ir tik tada dėkite maistą į prietaisą. Jei įdėsite maisto produktų, kol prietaisas visiškai neatvėso, maistas gali sugesti.

Energijos taupymo patarimai

- Nestatykite prietaiso šalia viryklių, radiatorių ar kitų šilumos šaltinių. Jei aplinkos temperatūra aukšta, kompresorius veikia dažniau ir ilgiau, todėl sunaudojama daugiau energijos.
- Užtikrinkite, kad prietaiso apačioje, prietaiso šonuose ir prietaiso gale būtų pakankama ventiliacija. Niekada neuždenkite ventiliacijos angų.
- Taip pat laikykitės skyriuje „Montavimas“ pateiktų atstumų matmenų.
- Iliustracijoje parodytas stalčių, lentynų ir stelažų išdėstymas užtikrina efektyviausią energijos naudojimą, todėl turėtų būti kiek įmanoma išlaikytas. Visi stalčiai ir lentynos turėtų likti prietaise, kad temperatūra išliktų stabili ir būtų taupoma energija.
- Norint gauti didesnę sandėliavimo erdvę (pvz., dideliems šaldytiems ir (arba) užšaldytiems produktams), vidurinius stalčius galima išimti. Jei reikia, viršutinius ir apatinius stalčius bei lentynas reikia išimti paskiausiai.
- Tolygiai užpildytas šaldytuvo ir (arba) šaldiklio skyrius padeda optimaliai naudoti energiją. Todėl venkite tuščių arba pusiau tuščių skyrių.
- Prieš dėdami šiltą maistą į šaldytuvą / šaldiklį leiskite jam atvėsti. Jau atvėsęs maistas padidina energijos vartojimo efektyvumą.
- Leiskite šaldytuve užšaldytiems maisto produktams atitirpti. Dėl šaldytų maisto produktų šalčio šaldytuvo skyriuje sunaudojama mažiau energijos, todėl padidėja energijos vartojimo efektyvumas.
- Dureles atidarykite tik trumpam, kad sumažintumėte šalčio nuostolius. Trumpam atidarę duris ir tinkamai jas uždarę sumažinsite energijos suvartojimą.
- Jūsų prietaiso durelių sandarikliai turi būti visiškai nepažeisti, kad durelės tinkamai užsidarytų ir be reikalo nedidėtų energijos sąnaudos.

NAUDOJIMO INSTRUKCIJOS

Valdymo skydelis



Mygtukas

A Temperatūros nustatymo mygtukas

Ekranas

1	LED1 (ITIN VĖSUS)
2	LED2 (2 °C / ŠALČIAUSIAS)
3	LED3 (4 °C / ŠALTENIS)
4	LED4 (8 °C / ŠALTAS)

Ekranas

- Įjungus pirmą kartą, rodomas 3 sekundes, o tada rodomas įprastai (pirmą kartą nustatyta 4 °C pavara).
- Užstrigus rodo užstrigimo kodą (cikliniu rodymo režimu). Įprastoje būsenoje vietoje užstrigimo kodo rodoma nustatyta šaldytuvo pavara.
- Įprastai po 15 sekundžių, jei nenuspaudžiamas joks mygtukas, nustatymas įsigalioja.

Užrakinimas ir atrakinimas

- Paspauskite ir palaikykite 3 sekundes, kad atrakintumėte. Šviesos diodas mirksi, rodydamas, kad atrakinimas sėkmingas, ir jei nenuspaudžiamas joks mygtukas, užraktas automatiškai užrakinamas po 15 sekundžių.

● DĖMESIO

Faktinis valdymo skydelis gali skirtis priklausomai nuo modelio.

Naudojimo instrukcijos

Pakopos nustatymas

- Norėdami pakeisti temperatūros nustatymą, vieną kartą paspauskite mygtuką SETTING (nustatymas).
- Sureguliuokite pagal pavarą taip: LED4 - > LED3 - > LED2 - > LED1 - > LED4

Sparčiojo vėsavimo režimas

Režimo įjungimas:

- Paspauskite temperatūros valdymo mygtuką, kad užsidegtų šviesos diodas LED1.

Veikimo režimas:

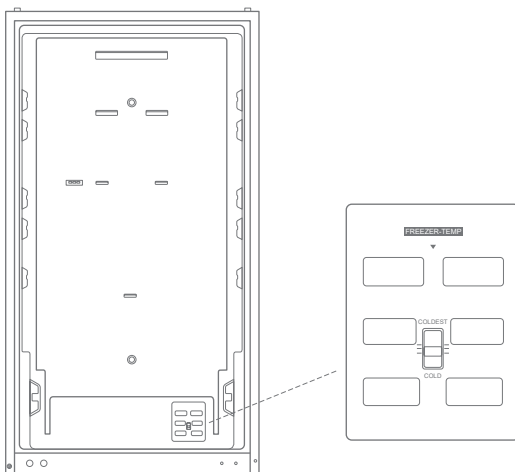
- Kompresorius veikia didžiausiu greičiu, atitinkančiu esamą aplinkos temperatūrą.
- Ventilatorius veikia esamu greičiu -1 pavarą (prioritetas mažesnis už perkrovą).
- Veikia pagal greitojo aušinimo 2 laipsnių pavaros paleidimo ir sustabdymo tašką ir neatitirpina greitojo užšaldymo laikotarpiu (išskyrus įjungimo atitirpinimą).
- Atitirpinimas vieną kartą baigus greitą aušinimą.

Išėjimas iš režimo:

- Nustatykite temperatūrą, kad išeitumėte iš sparčiojo vėsavimo režimo.
- Išėjimas po 16 valandų veikimo greito aušinimo režime.

Ortakio mentelės reguliavimas

Pasukus oro sklendės slankiklį aukštyn, temperatūra šaldiklio skyriuje nukris; pasukus oro sklendės slankiklį žemyn, temperatūra šaldiklio skyriuje pakils.



Klaidos kodas

- Toliau pateikti įspėjimai ekrane nurodo atitinkamus šaldytuvo gedimus. Nors esant šioms triktims šaldytuve vis tiek gali veikti vėsinimo ir šaldymo funkcija, naudotojas turi susisiekti su techninės priežiūros specialistu, siekiant užtikrinti optimalų šaldytuvo veikimą.

Gedimo kodas	Trikčių aprašymas
Mirksi šviesos diodai 1 ir 2	Šaldytuvo temperatūros jutiklio gedimas
Mirksi šviesos diodai 1 ir 3	Šaldiklio atitirpinimo jutiklio gedimas
Mirksi šviesos diodai 1 ir 4	Aplinkos temperatūros jutiklio triktis

Patarimai, kaip laikyti maistą

Šaldiklio skyrius

- Šaldiklis skirtas labai žemoje temperatūroje užšaldytiems maisto produktams laikyti, ilgalaikiam užšaldytų maisto produktų laikymui ir ledo gamybai.
- Šaldiklio durelėse esančias lentynas naudokite tik užšaldytiems maisto produktams laikyti, o ne karštam maistui, skirtam užšaldyti, laikyti.
- Nedėkite greta šviežio ir šaldyto maisto. Užšaldytas maistas gali atšilti.
- Šaldydami šviežius maisto produktus (pvz., mėsą, žuvį ar pjaustytą mėsą), supjaustykite juos dalimis, kurias galima naudoti vienu metu.
- Šaldytų maisto produktų laikymas: paprastai ant pakuočių pateikiamos instrukcijos, kurių būtina laikytis. Jei ant pakuotės nėra informacijos, maisto produktai neturėtų būti laikomi ilgiau nei tris mėnesius nuo įsigijimo datos.
- Pirkdami šaldytą maistą įsitikinkite, kad jis buvo užšaldytas tinkamoje temperatūroje ir kad pakuotė nepažeista.
- Užšaldytas maistas turi būti laikomas tinkamose pakuotėse, kad išliktų kokybiškas, ir kuo greičiau grąžinamas į šaldiklio skyrių.
- Jei šaldyto maisto pakuotėje yra drėgmės ar neįprastų iškilimų, tikėtina, kad ji buvo laikoma netinkamoje temperatūroje ir jos turinys sugedęs.
- Užšaldytų maisto produktų laikymo trukmė priklauso nuo patalpos temperatūros, termostato nustatymų, šaldiklio durelių atidarymo dažnumo, maisto produkto rūšies ir jo gabenimo iš parduotuvės į namus laiko. Visada laikykitės ant pakuotės išspausdintų nurodymų ir neviršykite ant pakuotės nurodyto maksimalaus laikymo laiko.

Vėsavimo skyrius

- Kad sumažintumėte drėgmės ir vėliau susidariusio ledo kiekį, niekada nedėkite skysčių į šaldytuvą neuždarytose talpyklose. Šaltis dažniausiai susitelkia vėsaviuose garintuvo dalyse. Laikant neuždengtus skysčius, juos reikia dažniau atitirpinti.
- Niekada nedėkite šiltų maisto produktų į šaldytuvą. Pirmiausia jie turi būti atvėsinti kambario temperatūroje, o tada padėti į šaldytuvą taip, kad būtų užtikrinta tinkama oro cirkuliacija.
- Maisto produktai ar indai neturėtų liesti galinės šaldytuvo sienelės, nes jie gali prišalti prie sienelės. Nuolat neatidarinėkite šaldytuvo durelių.
- Mėsą ir švrią žuvį (supakuotą į pakuotę arba plastikinę plėvelę) galima įdėti į šaldytuvą, kad ją būtų galima sunaudoti per 1–2 dienas.
- Vaisius ir daržoves be pakuočių galima dėti į šviežiams vaisiams ir daržovėms skirtą dalį.

ATTENTION

Optimalus kiekvieno skyriaus temperatūros nustatymas priklauso nuo aplinkos temperatūros. Aukštesnė nei optimali temperatūra apskaičiuota esant 25 °C aplinkos temperatūrai.

Seka	Skyriai TIPAS	Tikslinė laikymo temp. [°C]	Tinkamas maistas
1	Šaldytuvai	$+2 \leq x \leq +8$	Kiaušiniai, virtas maistas, supakuotas maistas, vaisiai ir daržovės, pieno produktai, pyragai, gėrimai ir kiti maisto produktai šaldymui netinka.
2	 Keturių žvaigždučių šaldymas	$x \leq -18$	Šaldymo talpa ir greitas užšaldymas leidžia greitai užšaldyti ir laikyti maistą. Tinka šaldytiems šviežiems maisto produktams, pavyzdžiui, jūros gėrybėms (žuviai, krevetėms, vėžiagyviams), gėlavandeniams vandens produktams ir mėsos gaminiams. Rekomenduojama laikyti nuo 3 iki 6 mėnesių, kuo ilgesnis laikymo laikas, tuo prastesnis skonis ir maistingumas.
3	 Trijų žvaigždučių šaldymas	$x \leq -18$	Su užšaldymo pajėgumu. Tinka šaldytiems šviežiems maisto produktams, pavyzdžiui, jūros gėrybėms (žuviai, krevetėms, vėžiagyviams), gėlavandeniams vandens produktams ir mėsos gaminiams. Rekomenduojama naudoti ne ilgiau nei 3 mėnesius.
4	 Dviejų žvaigždučių šaldymas	$x \leq -12$	Tinka tik vidutinės trukmės jau užšaldytiems maisto produktams, pvz., ledams, laikyti. Rekomenduojama ne ilgiau kaip 1 mėnesį.
5	 Vienos žvaigždutės šaldymas	$x \leq -6$	Tinka tik šaldymui ir trumpalaikiam nedidelio kiekio jau užšaldytų maisto produktų laikymui. Rekomenduojama naudoti ne ilgiau kaip 1 savaitę.
6	0-žvaigždučių	$-6 \leq x \leq 0$	Šviežia kiauliena, jautiena, žuvis, vištiena, kai kurie supakuoti perdirbti maisto produktai ir t. t. (Rekomenduojama suvalgyti tą pačią dieną, pageidautina ne vėliau kaip per 3 dienas). Iš dalies hermetizuoti perdirbti maisto produktai (neužšaldomas maistas).
7	Vėsinimo	$-2 \leq x \leq +3$	Šviežia ar šaldyta kiauliena, jautiena, vištiena, gėlavandeniai produktai ir t. (7 dienas iki 0 °C ir daugiau kaip 0 °C rekomenduojama suvalgyti tą pačią dieną, pageidautina ne vėliau kaip per 2 dienas). Jūros gėrybės, mažiau nei 0 per 15 dienų, nerekomenduojama laikyti aukštesnėje kaip 0 °C temperatūroje.
8	Šviežias maistas	$0 \leq x \leq +4$	Šviežia kiauliena, jautiena, žuvis, vištiena, virtas maistas ir t. (Rekomenduojama suvalgyti per tą pačią dieną, pageidautina ne ilgiau kaip per 3 dienas)
9	Vynas	$+5 \leq x \leq +20$	Raudonasis vynas, baltasis vynas, putojantis vynas ir t.t.

ATTENTION

laikykite skirtingus maisto produktus, atsižvelgdami į įsigytų maisto produktų skyrius arba tikslinę laikymo temperatūrą.

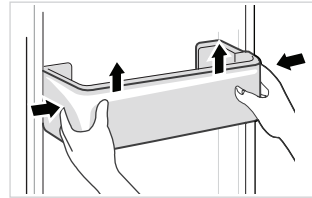
VALYMAS IR PRIEŽIŪRA

Atšildymas

- Šaldytuvas pagamintas pagal oro aušinimo principą, todėl jame įdiegta automatinio atšildymo funkcija. Šerkšną, susidariusį dėl sezoniškumo ar temperatūros pasikeitimo, taip pat galima pašalinti rankiniu būdu, atjungiant prietaisą nuo maitinimo šaltinio arba nušluostant sausu rankšluosčiu.

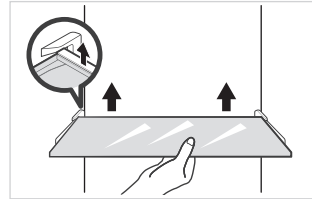
Durų dėklo valymas

- Pagal krypties rodyklę žemiau esančiame paveikslėlyje abiem rankomis suspauskite dėklą ir pastumkite jį aukštyn, kad galėtumėte išimti.
- Išplovę dėklą, kurį išėmėte, galite nustatyti jo montavimo aukštį pagal poreikį.



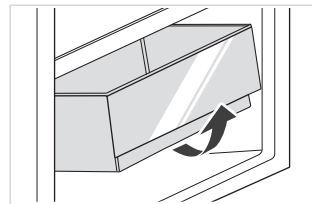
Stiklinės lentynėlės valymas

- Vidinėje šaldytuvo įdėklo dalyje lentynėlės liečiasi su stabdikliu, todėl norėdami išimti lentynėles, pakelkite jas aukštyn.
- Sureguliuokite arba išvalykite lentynėles pagal poreikį.



Daržovių stalčiaus valymas

1. Ištuštinkite stalčių. Laikykite daržovių stalčiaus rankeną ir ištraukite jį iki galo, kol jis sustos.
2. Pakelkite daržovių stalčių į viršų ir išimkite jį ištraukdami.



● ATTENTION

Valyti rekomenduojama minkštais rankšluosčiais arba kempine, sušlapinta vandeniu, ir neėsdinančiais neutraliais plovikliais. Šaldiklį galutinai nuvalykite švriu vandeniu ir sausu skudurėliu. Prieš įjungdami maitinimą, atidarykite duris, kad vidus natūraliai išdžiūtų. Šaldytuvui valyti nenaudokite kietų šepetėlių, plieninių rutuliukų, vielinių šepetėlių, abrazyvinių medžiagų (pvz., dantų pastos), organinių tirpiklių (pvz., alkoholio, acetono, bananų aliejaus ir kt), verdančio vandens, rūgštinių ar šarminių elementų, kurie gali pažeisti šaldytuvo paviršių ir vidų.

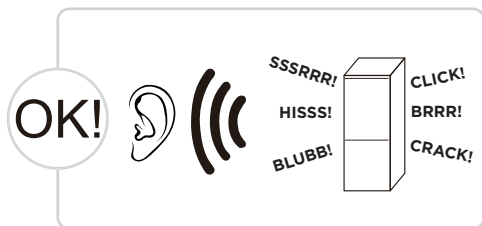
TRIKČIŲ ŠALINIMAS

Toliau nurodytas paprastas problemas gali išspręsti pats naudotojas. Jei problemų išspręsti nepavyksta, skambinkite garantinio aptarnavimo skyriui.

Problema	Galima priežastis
Prietaisas neveikia	• Patikrinkite, ar prietaisas prijungtas prie maitinimo šaltinio ir ar kištukas laikosi tvirtai
	• Patikrinkite, ar ne per žema įtampa
	• Patikrinkite, ar nėra maitinimo tiekimo sutrikimo ir ar neatsijungė grandinės dalis
Nemalonus kvapas	• Nemalonius kvapus skleidžiantys maisto produktai turi būti sandariai suvynioti
	• Patikrinkite, ar nėra supuvusio maisto
	• Išvalykite šaldytuvo vidų
Ilgai veikiantis kompresorius	• Ilgas šaldytuvo veikimas yra įprastas vasarą, kai aplinkos temperatūra yra aukšta
	• Nerekomenduojama vienu metu prietaise laikyti pernelyg daug maisto
	• Prieš įdedant maistą į prietaisą, jis turi būti atvėsintas
Durelės darinėjamos per dažnai	• Durelės darinėjamos per dažnai
	• Patikrinkite, ar šaldytuvą prijungtas prie maitinimo šaltinio ir ar nepažeista apšvietimo lemputė
	• Lemputę turi pakeisti specialistas
Durelių nepavyksta tinkamai uždaryti	• Durys užstrigo dėl netinkamai sudėtų maisto produktų pakuočių
	• Šaldytuvą pakrypęs.
Didelis triukšmas	• Patikrinkite, ar grindys lygios ir ar šaldytuvą padėtas stabiliai
	• Patikrinkite, ar priedai yra išdėstyti reikiamose vietose

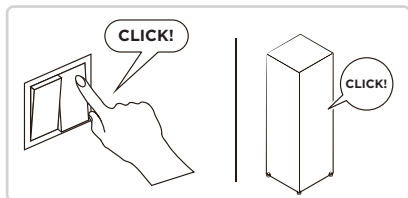
Problema	Galima priežastis
Durelių sandariklis nesandarus	<ul style="list-style-type: none"> Pašalinkite pašalines medžiagas nuo durelių sandariklio Pašildykite durų sandariklį ir atvėsinkite jį, kad atkurtumėte (arba papūskite jį elektriniu džiovintuvu ar sušildykite karštu rankšluosčiu)
Perpildytas vandens indas	<ul style="list-style-type: none"> Kameroje yra per daug maisto produktų arba laikomuose maisto produktuose yra per daug vandens, todėl įvyksta pernelyg didelis atitirpimas Durės nėra tinkamai uždarytos, todėl patekus orui ir padaugėjus vandens dėl atšildymo, susiformuoja šerkšnas
Karštas korpusas	<ul style="list-style-type: none"> Įmontuoto kondensatoriaus šilumos išsklaidymas per korpusą, kuris yra normalus Kai korpusas įkaista dėl aukštos aplinkos temperatūros, per daug maisto produktų laikymo ar kompresoriaus išjungimo, užtikrinkite garso ventilaciją, kad palengvintumėte šilumos išsklaidymą
Paviršiaus kondensacija	<ul style="list-style-type: none"> Kondensacija ant šaldytuvo išorinio paviršiaus ir durelių sandariklių yra normalus reiškinys, kai aplinkos drėgmė yra per didelė. Tiesiog nuvalykite kondensatą švari rankšluosčiu.
Neįprastas garsas	<ul style="list-style-type: none"> Zvimbimas: Veikdamas kompresorius gali zvimbti, ir zvimimai yra garsūs, ypač paleidžiant ar sustabdant. Tai normalu. Girgždėjimas: Šaldalas, tekantis prietaiso viduje, gali sukelti girgždėjimą. Tai yra normalu.

Ar girdite šiuos neįprastus garsus, kaip aprašyta toliau? Paprastai šie garsai yra normalu.

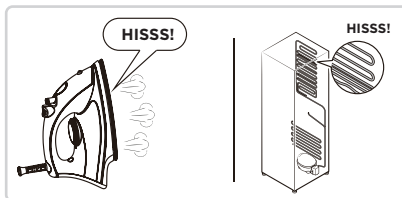


CLICK: Kai kurios elektrinės šaldytuvo dalys, pvz., elektrinis vožtuvas, dirbant sukels šį triukšmą. Tai normalu.

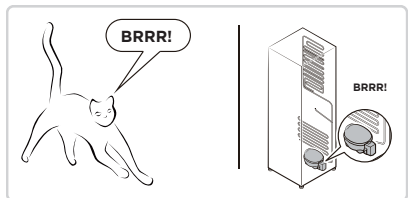
HISS: Šaltnešiu tekant į garintuvą, jis skleis šį triukšmą. Tai normalu.



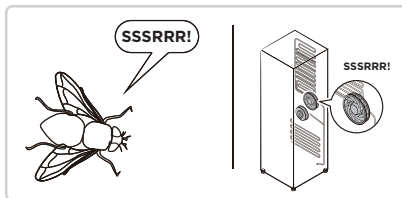
BRRR: Kompresorius šį triukšmą skleidžia dirbdamas, ir zvimbimai yra garsūs, ypač paleidžiant ar sustabdant. Tai normalu.



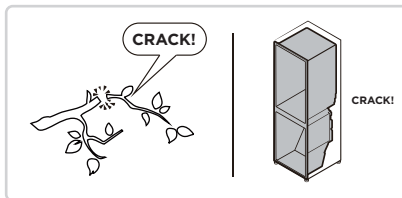
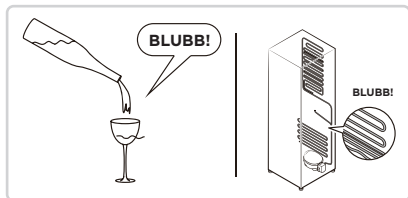
SSSRRR: Šaldytuvo be šalnos ventiliatoriaus variklis dirbant skleis šį triukšmą. Tai normalu.



BLUBB: Šį triukšmą sukels šaltnešis, tekantis per šaldytuvo vamzdžius. Tai normalu.



CRACK: Trūkinėjimo garsas arba skylančio ledo garsas: bendra šaldytuvo struktūra, oro kanalo įšalas bus su šiluminio plėtimosi ir susitraukimo išsiplėtimo garsu, tai taip pat yra normalus fizinis reiškinys.



PRIEDAS

Speciali informacija pagal naują Europos standartą

Užsakytas dalis, nurodytas toliau pateiktoje lentelėje, galima įsigyti iš techninės priežiūros paslaugų teikėjo kanalų

Užsakyta dalis	Suteikia	Minimalus reikalingas pateikimo laikas
Termostatai	Profesionalus techninės priežiūros personalas	Ne mažiau kaip 7 metai po to, kai rinkai buvo pateiktas paskutinis modelis
Temperatūros jutikliai	Profesionalus techninės priežiūros personalas	Ne mažiau kaip 7 metai po to, kai rinkai buvo pateiktas paskutinis modelis
Spausdintinės plokštės	Profesionalus techninės priežiūros personalas	Ne mažiau kaip 7 metai po to, kai rinkai buvo pateiktas paskutinis modelis
Šviesos šaltiniai	Profesionalus techninės priežiūros personalas	Ne mažiau kaip 7 metai po to, kai rinkai buvo pateiktas paskutinis modelis
Durų rankenos	Profesionalūs remontininkai ir galutiniai naudotojai	Ne mažiau kaip 7 metai po to, kai rinkai buvo pateiktas paskutinis modelis
Durų vyriai	Profesionalūs remontininkai ir galutiniai naudotojai	Ne mažiau kaip 7 metai po to, kai rinkai buvo pateiktas paskutinis modelis
Dėklai	Profesionalūs remontininkai ir galutiniai naudotojai	Ne mažiau kaip 7 metai po to, kai rinkai buvo pateiktas paskutinis modelis
Krepšiai	Profesionalūs remontininkai ir galutiniai naudotojai	Ne mažiau kaip 7 metai po to, kai rinkai buvo pateiktas paskutinis modelis
Durų tarpikliai	Profesionalūs remontininkai ir galutiniai naudotojai	Ne mažiau kaip 10 metai po to, kai rinkai buvo pateiktas paskutinis modelis

Gerbiamas kliente,

1. Jei norite grąžinti arba pakeisti produktą, kreipkitės į parduotuvę, kurioje perkate.
(Nepamirškite atsinešti pirkimo sąskaitos-faktūros)
2. Jei jūsų produktas sugedo ir jam reikia remonto, susisieki su garantinio aptarnavimo paslaugų teikėju.

DĖMESIO

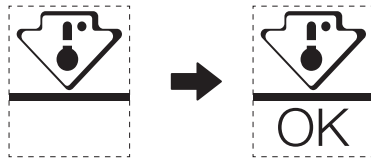
Informaciją apie modelį gaminių duomenų bazėje ir modelio identifikatorių galima gauti naudojant interneto nuorodą, nuskaitytą QR kodu, jei yra, pateiktu gaminio energijos vartojimo efektyvumo etiketėje.

Norėdami gauti daugiau informacijos apie prietaiso energijos vartojimo efektyvumą, apsilankykite svetainėje <https://ec.europa.eu> ir atlikite paiešką pagal modelio pavadinimą. Modelio pavadinimą rasite prietaiso vardinėje etiketėje.

Šalčiausia šaldytuvo zona

PASIRINKTINAI: Temperatūros indikatorius OK

- Temperatūros indikatoriumi OK galima nustatyti žemesnę nei +4 °C temperatūrą. Palaipsniui mažinkite temperatūrą, jei ženkle nerodoma „OK“.



- Siekdami užtikrinti temperatūrą šioje srityje, nekeiskite lentynos padėties. Priverstinio oro šaldytuvuose (su ventiliatoriumi arba modeliai be šerkšno) šalčiausios zonos simbolis nerodomas, nes temperatūra viduje yra vienoda.

Temperatūros indikatoriaus nustatymas

- Kad būtų lengviau tinkamai nustatyti šaldytuvą, jame yra temperatūros indikatorius, kuris leidžia stebėti vidutinę temperatūrą šalčiausioje zonoje.
- ĮSPĖJIMAS: šis indikatorius skirtas veikti tik su jūsų šaldytuvu. Nenaudokite jo kitame šaldytuve (iš tiesų šalčiausia zona nėra ta pati) ar bet kokiai kitai paskirčiai.

Temperatūros tikrinimas šalčiausioje zonoje

- Naudodamiesi temperatūros indikatoriumi galite reguliariai tikrinti, ar šalčiausios zonos temperatūra yra tinkama. Iš tiesų šaldytuvo vidaus temperatūra priklauso nuo kelių veiksnių, tokių kaip kambario aplinkos temperatūra, laikomo maisto kiekis ir durelių atidarymo dažnis. Parengdami įrenginį atsižvelkite į šiuos veiksnius.
- Kai indikatorius rodo „OK“, termostatas yra gerai sureguliuotas ir vidinė temperatūra yra tinkama.
- Jei temperatūros indikatorius tampa BALTAS, temperatūra yra per aukšta; tokiu atveju padidinkite šaldytuvo temperatūros reguliavimo nustatymą ir palaukite 12 valandų prieš vėl vizualiai patikrindami indikatorių. Įdėjus šviežią maistą arba palikus dureles atidarytas, temperatūros indikatorius po kurio laiko gali tapti BALTAS.

LETRA E FALËNDERIMIT

Ju faleminderit që zgjodhët Midea! Përpara përdorimit të produktit tuaj Midea, ju lutemi që ta lexoni plotësisht këtë manual, për t'u siguruar që të dini të përdorni me siguri veçoritë dhe funksionet që ofron pajisja juaj e re.

PËRMBAJTJA

LETRA E FALËNDERIMIT	01
SPECIFIKIMET	02
PAMJE E PËRGJITHSHME E PRODUKTIT	03
INSTALIMI I PRODUKTIT	05
UDHËZIMET E PËRDORIMIT	13
PASTRIMI DHE MIRËMBAJTJA	18
ZGJIDHJA E PROBLEMEVE	19
SHTOJCË	22

SPECIFIKIMET

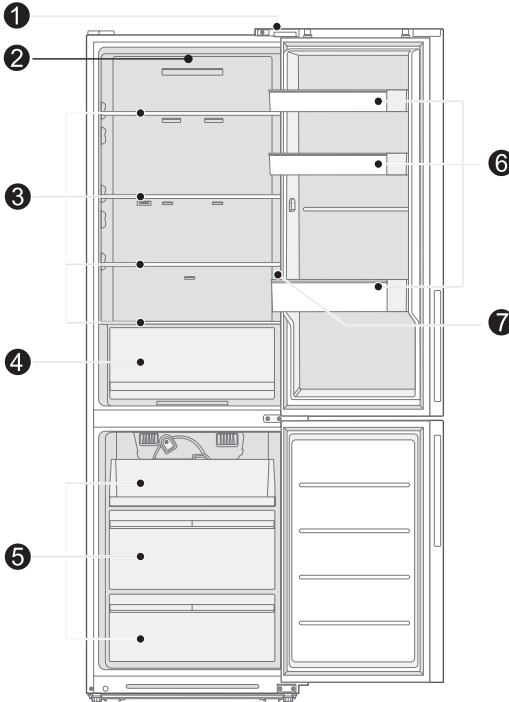
Modeli i produktit	MDRB548MME*
Tensioni/frekuenca e klasifikuar	220-240 V-/50 Hz
Rryma nominale	1,4 A
Vëllimi total	401 L
Vëllimi i dhomës për ruajtjen e ushqimeve të freskëta	271 L
Vëllimi i sektorit me katër yje	130 L
Kapaciteti i ngrirjes	8,0 kg/24 orë
Koha e rritjes së temperaturës	8 orë
Përmasat e përgjithshme (Gje x The x La)	595x670x1860 mm

Modeli i produktit	MDRB600MME*
Tensioni/frekuenca e klasifikuar	220-240 V-/50 Hz
Rryma nominale	1,4 A
Vëllimi total	443 L
Vëllimi i dhomës për ruajtjen e ushqimeve të freskëta	313 L
Vëllimi i sektorit me katër yje	130 L
Kapaciteti i ngrirjes	8,0 kg/24 orë
Koha e rritjes së temperaturës	8 orë
Përmasat e përgjithshme (Gje x The x La)	595x670x2010 mm

PAMJE E PËRGJITHSHME E PRODUKTIT

Emrat e përbërësve

MDRB548MME*

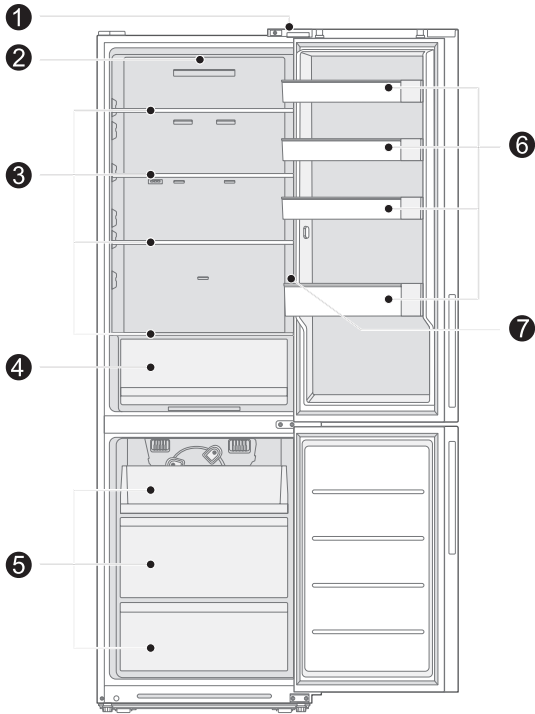


- | | | | |
|---|------------------------------|---|---------------------|
| 1 | Çelësi i derës | 5 | Sirtar |
| 2 | Drita LED | 6 | Tabakaja e derës |
| 3 | Raft | 7 | Paneli i kontrollit |
| 4 | Kutia e frutave dhe perimeve | | |

MBANI PARASYSH

Figura e mësipërme është vetëm për referencë. Konfigurimi aktual do të varet nga produkti fizik ose deklarata e distributorit.

MDRB600MME*



- | | | | |
|---|------------------------------|---|---------------------|
| 1 | Çelësi i derës | 5 | Sirtar |
| 2 | Drita LED | 6 | Tabakaja e derës |
| 3 | Raft | 7 | Paneli i kontrollit |
| 4 | Kutia e frutave dhe perimeve | | |

AL

● MBANI PARASYSH

Figura e mësipërme është vetëm për referencë. Konfigurimi aktual do të varet nga produkti fizik ose deklarata e distributorit.

INSTALIMI I PRODUKTIT

Udhëzimet e instalimit

Për pajisjet ftohëse me kategori klimaterike

- Në varësi të kategorisë së klimës, kjo pajisje frigeriferike synohet që të përdoret në diapazonet e temperaturës së ambientit, si në tabelën e specifikuar më poshtë.
- Kategoria klimaterike mund të gjendet në etiketën e të dhënave. Produkti mund të mos punojë siç duhet në temperatura jashtë këtij diapazoni specifik.
- Kategorinë klimatike mund ta gjeni në etiketën e produktit.

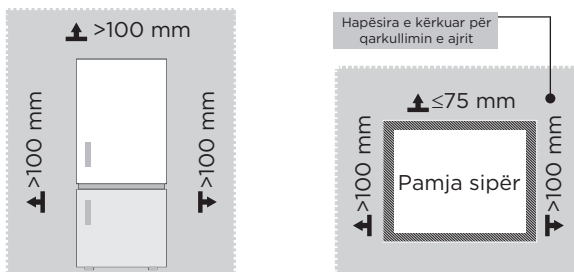
Rrezja e temperaturës së efektshme

- Produkti bërë që të punojë normalisht në gamën e temperaturave të specifikuar në klasifikim.

Kategoria	Simboli	Diapazoni i temperaturës së ambientit në °C	
		IEC 62552 (ISO 15502)	ISO 8561
Temperaturë mesatare e zgjeruar	SN	+ 10 deri në + 32	+ 10 deri në + 32
Temperaturë mesatare	N	+ 16 deri në + 32	+ 16 deri në + 32
Nëntropikale	ST	+ 16 deri në + 38	+ 18 deri në + 38
Tropikale	T	+ 16 deri në + 43	+ 18 deri në + 43

Përmasat dhe hapësirat

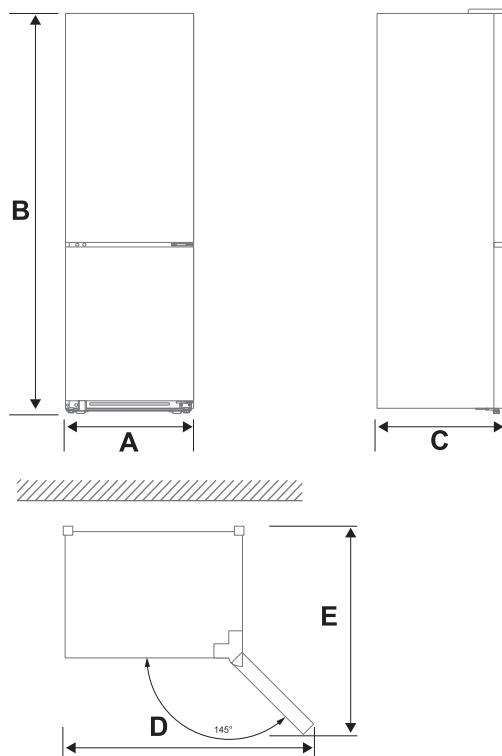
- Mbajeni të lirë qarkullimin e ajrit përreth kabinetit. Kur ta vendosni njësinë, sigurohuni që të ketë 10 cm hapësirë të lirë në të dyja anët, 10 cm mbi njësi dhe jo më shumë se 7,5 cm në pjesën e pasme të njësisë.



ATTENTION

Figura e mësipërme është vetëm për referencë. Konfigurimi aktual do të varet nga produkti fizik ose deklarata e distributorit.

Diagrami i kërkesës së hapësirës (kur dera është e hapur dhe kur dera është e mbyllur)



AL

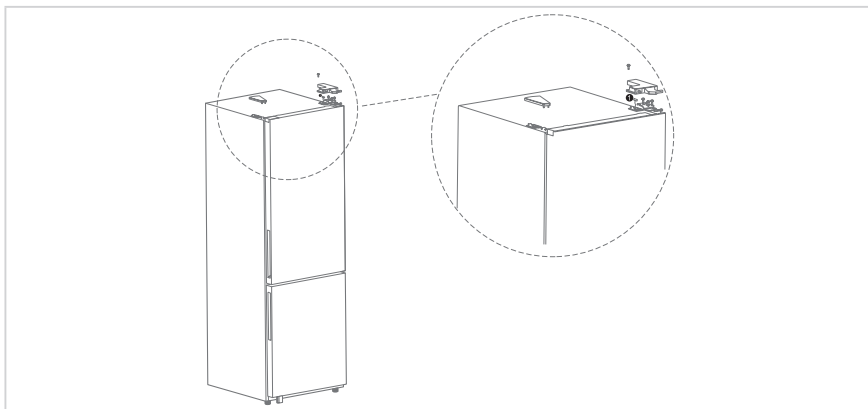
Modeli	Gjerësia	Lartësia e përgjithshme	Thellësia	Gjerësia me dyer të hapura 145°	Thellësia me dyer të hapura 145°
	A	B	C	D	E
MDRB548MME*	595	1860	670	960	1070
MDRB600MME*	595	2010	670	960	1070

Njoftim: Të gjitha përmasat në mm

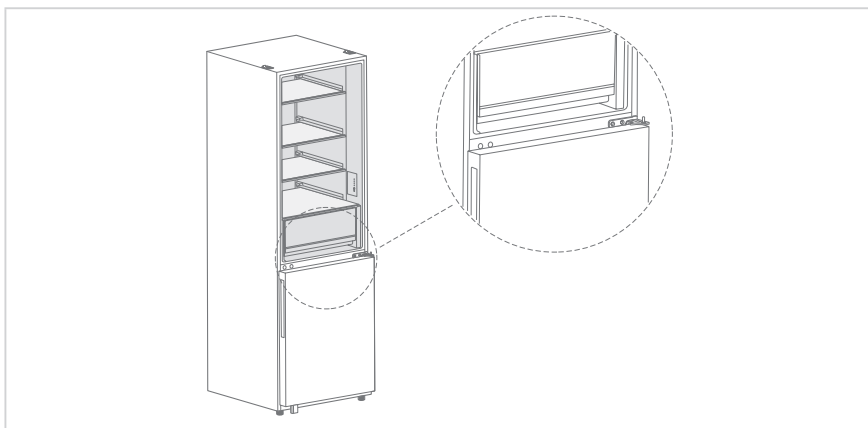
Kthimi i derës

Bazuar në vendndodhjen ku planifikoni që ta përdorni frigoriferin, mund t'ju duket më komode që të ndërroni pozicionin e derës.

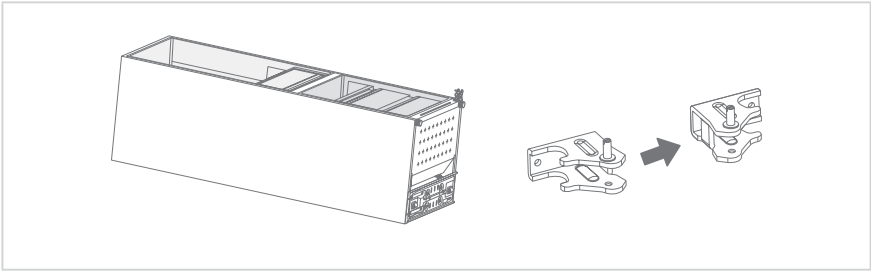
1. Hiqni artikujt nga trupi i derës.
2. Hiqni kapakun dekorativ të menteshës së sipërme majtas, kapakun e menteshës së sipërme djathtas, menteshën e sipërme djathtas, shkëputni linjën e sinjalit në anën e sipërme djathtas të trupit të frigoriferit (linja e sinjalit ①).



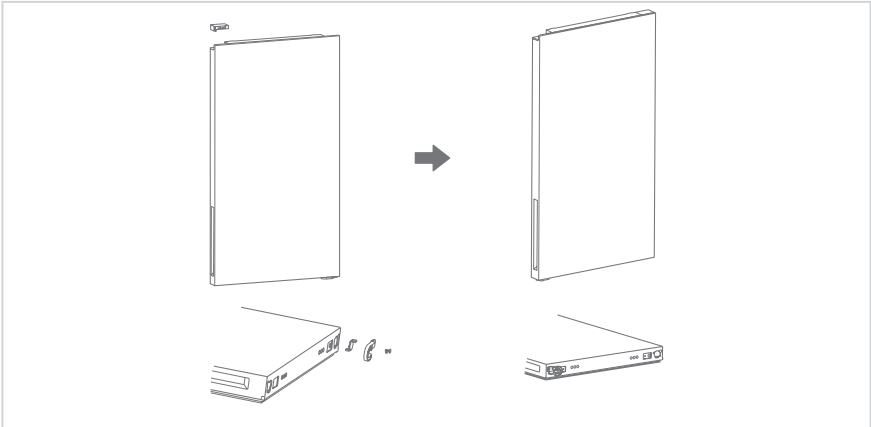
3. Hiqni trupin e derës së frigoriferit (bëni kujdes që të mos i humbni pjesët e vogla, si p.sh. tapat e derës); Hiqni menteshën e mesit për përdorim të mëvonshëm dhe hiqni mbulesën dekorative të vrimës së menteshës, kapakun dhe vidat në anën tjetër.



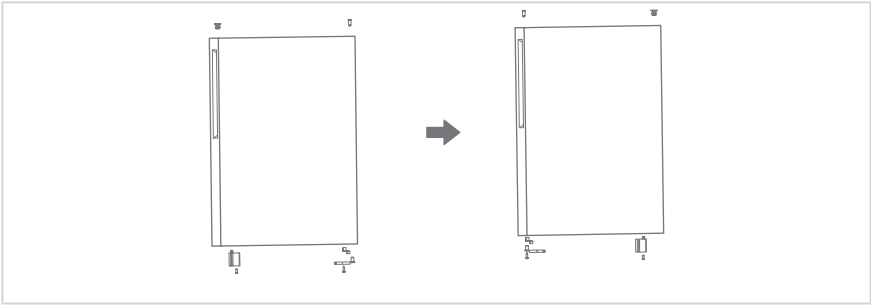
4. Hiqni trupin e derës së ngrirësit (bëni kujdes që të mos i humbni pjesët e vogla, si p.sh. fashetat e boshtit dhe ndaluesit e derës); Hiqni menteshën e poshtme, hiqni boshtin e menteshës së poshtme dhe vendoseni atë në anën tjetër të menteshës, hiqni menteshën e poshtme, hiqni boshtin e menteshës së poshtme dhe vendoseni atë në anën tjetër të menteshës për përdorim të mëtejshëm.



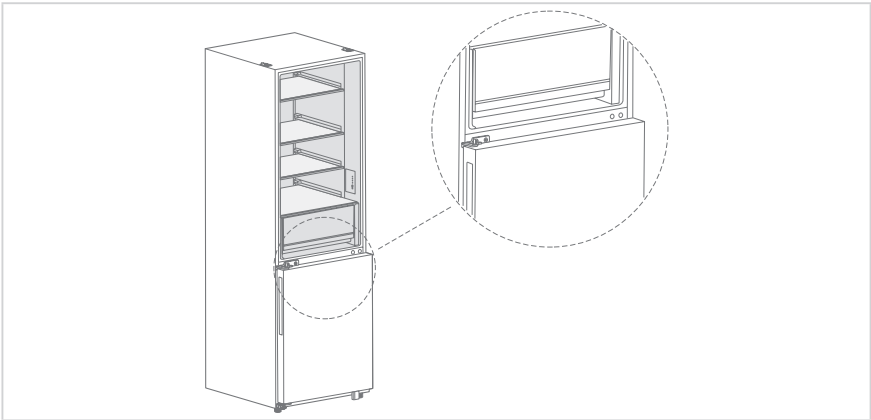
5. Rivendosja e derës së frigoriferit; Hiqni kapakun e majtë dekorativ, hiqni kapakun e djathtë dekorativ nga paketa e aksesorëve dhe vendoseni atë në anën tjetër të kapakut të sipërm; hiqni vetë-blokimin e derës së frigoriferit, ndalesën e derës, hiqni vetë-blokimin e derës së majtë nga paketa e aksesorëve dhe vendosni ndaluesin e derës dhe vetë-blokimin e derës së majtë në anën e majtë të kapakut të poshtëm me radhë.



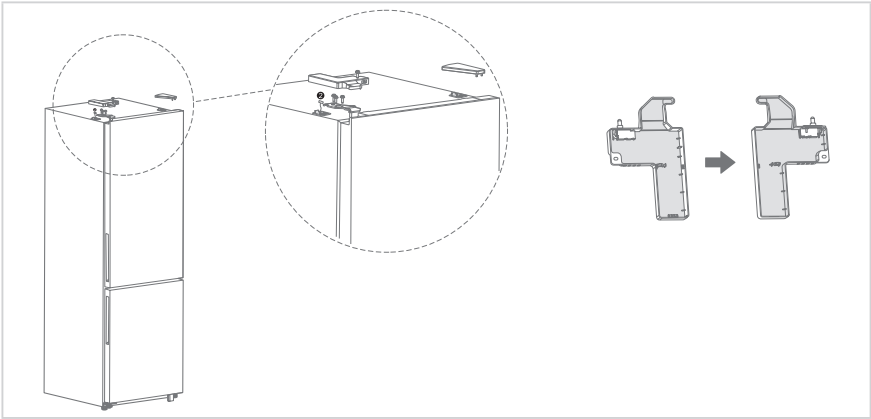
6. Çelësi i derës së ngrirësit; Hiqni fashetën e sipërme të kapakut të derës së ngrirësit dhe vendosni kapakun në pozicionet e këmbyeshme majtas dhe djathtas; Hiqni vetë-blokimin e derës së ngrirësit, ndaluesin e derës dhe mbështetjen e derës, hiqni vetë-blokimin e derës së majtë nga paketa e aksesorëve, vendosni ndaluesin e derës dhe vetë-blokimin e derës së majtë në anën e majtë të mbulesës së poshtme të ngrirësit me radhë dhe vendosni mbështetjen e derës në anën e djathtë të mbulesës së poshtme të ngrirësit.



7. Vendosni menteshën e mesit dhe derën e frigoriferit në menteshën e mesit, pastaj vendosni menteshën e poshtme dhe mbuloni vrimën e menteshës me kapakun dekorativ.



8. Hiqni kapakun e menteshës së sipërme majtas nga paketa e aksesorëve, menteshën e sipërme majtas, hiqni çelësin e vendosur në kapakun e menteshës së djathtë dhe vendoseni atë në kapakun e menteshës së sipërme majtas; vendosni trupin e derës së frigoriferit në menteshën e mesit dhe vendosni menteshën e sipërme majtas; lidhni linjën e sipërme të sinjalit ② në anën e majtë të frigoriferit dhe çelësin në kapakun e menteshës së majtë, mbuloni dhe fiksoni kapakun e menteshës së majtë dhe në fund vendosni kapakun dekorativ të menteshës në anën e djathtë të trupit të frigoriferit.



💡 ATTENTION

Për shkak të ndryshimeve teknike dhe modeleve të ndryshme, disa nga ilustrimet në këtë manual mund të ndryshojnë nga modeli juaj.

- Sigurohuni që frigoriferi të jetë hequr nga priza dhe të jetë bosh.
- Kini dikë të disponueshëm që t'ju ndihmojë gjatë procesit.
- Ruajini të gjitha pjesët që hiqni, për t'i përdorur sërish më vonë.



Këmbët e nivelimit

Për të shmangur dridhjet, njësia duhet që të nivelohet.

Nëse nevojitet, rregulloni vidat e nivelimit për të kompensuar nivelin e dyshemesë.

Pjesa e përparme duhet të jetë pak më lart sesa e pasmja, për të ndihmuar mbylljen e derës.

Vidat e nivelimit mund të rrotullohen lehtësisht, duke e ngritur pak kabinetin.

Rrotullojini vidat e nivelimit në drejtim të kundërt të akrepave të orës  për ta ngritur njësinë dhe në drejtimin e akrepave të orës  për ta ulur atë.

Lëvizja e pajisjes

1. Hiqni të gjitha ushqimet nga brenda pajisjes.
2. Hiqni spinën e korrentit, vendoseni dhe fiksojeni te kapësja e spinës së korrentit, në pjesën e pasme ose mbi pajisje.
3. Vendosni ngjithëse te raftet dhe doreza e derës, për të parandaluar rënien gjatë lëvizjes së pajisjes.
4. Lëvizeni pajisjen me kujdes me më shumë se dy persona. Kur ta transportoni pajisjen në distancë të gjatë, mbajeni vertikalisht.
5. Pas instalimit të pajisjes, lidhni spinën e korrentit te priza, për të ndezur pajisjen.

ATTENTION

Masa paraprake përpara përdorimit:

Para se të bëni ndryshime, frigoriferi duhet të shkëputet nga energjia.

Duhet të merren masa parandaluese për të parandaluar dëmtimet fizike.

Ndërrimi i dritës

- Çdo ndërrim ose mirëmbajtjeje e llambave LED duhet të bëhet nga prodhuesi, nga agjenti i tij i shërbimit ose nga një person me kualifikim të ngjashëm.

ATTENTION

Ky produkt përmban një burim drite të kategorisë me kursim energjie (G).

Lidhja e pajisjes

Pas instalimit të pajisjes, lidhni spinën e korrentit te priza.

ATTENTION

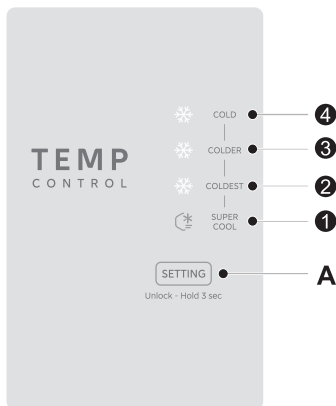
Pas lidhjes së kordonit të furnizimit me energji (ose spinës) me prizën, prisni 2 ose 3 orë përpara se të vendosni ushqime te pajisja. Nëse vendosni ushqime përpara se pajisja të jetë ftohur plotësisht, ushqimet mund të prishen.

Këshilla për kursimin e energjisë

- Mos e vendosni pajisjen pranë sobave, radiatorëve ose burimeve të tjera të nxehtësisë. Nëse temperatura e ambientit është e lartë, kompresori do të punojë më shpesh dhe për kohë më të gjatë, duke shkaktuar rritje të konsumit të energjisë.
- Sigurohuni që në bazament, anash dhe mbrapa pajisjes të ketë ajrim të mjaftueshëm. Asnjëherë mos u mbuloni hapësirat e ajrimit.
- Zbatoni gjithashtu përmasat e hapësirave në kapitullin "Instalimi".
- Organizimi i sirtarëve, rafteve dhe shinave, siç tregohet në ilustrim, bën të mundur përdorimin më të efektshëm të energjisë dhe prandaj duhet të ruhet sa më shumë të jetë e mundur. Të gjithë sirtarët dhe raftet duhet të qëndrojnë brenda pajisjes për ta mbajtur temperaturën stabël dhe për të kursyer energji.
- Për të pasur hapësirë më të madhe (p.sh. për ushqimet e mëdha të ftohta/të ngrira), sirtarët e mesit mund të hiqen. Sirtarët e sipërm dhe të poshtëm duhet të hiqen të fundit nëse është e nevojshme.
- Nëse frigoriferi/ngrirësi mbushen në mënyrë të njëtrajtshme, kjo bën që përdorimi i energjisë të jetë optimal. Prandaj shmangni sektorët bosh ose gjysmë bosh.
- Lërimi ushqimet e ngrohta të ftohen para se t'i futni në frigorifer/ngrirës. Ushqimet që janë ftohur tashmë rritin efikasitetin e energjisë.
- Lërimi ushqimet e ngrira të shkrijnë në frigorifer. Ftohtësia e ushqimeve të ngrira ul konsumin e energjisë në sektorin e frigoriferit dhe kështu rrit efikasitetin e energjisë.
- Për të pakësuar humbjen e temperaturës së ftohtë, hapeni derën vetëm për aq sa ju nevojitet. Hapja e derës për kohë të shkurtër dhe mbyllja siç duhet ndihmon në uljen e konsumit të energjisë.
- Gominat e derës së pajisjes duhet të jenë në gjendje perfekte në mënyrë që dyert të mbyllën siç duhet dhe konsumi i energjisë të mos rritet në mënyrë të panevojshme.

UDHËZIMET E PËRDORIMIT

Paneli i kontrollit



Butoni

A Butoni i caktimit të temperaturës

Ekrani

1	LED1 (SUPER FTOHJE)
2	LED2 (2°C/MË E FTOHTA)
3	LED3 (4°C/MË FTOHTË)
4	LED4 (8°C/FTOHTË)

Ekrani

- Kur ndizet për herë të parë, do të shfaqet plotësisht për 3 sekonda dhe më pas do të shfaqet normalisht; (vendoset për herë të parë në 4°C).
- Kur ndodh një bllokim, ai paraqet kodin e bllokimit (në modalitetin e afishimit të ciklit). Në një gjendje normale, shfaqet ingranazhi i caktuar i frigoriferit në vend të një kodi bllokimi.
- Në rrethana normale, pas 15 sekondash nga mospërdorimi i çelësit, cilësimi do të zbatohet.

Kyçja dhe shkyçja

- Shtypeni dhe mbajeni shtypur për 3 sekonda për të shkyçur, drita LED pulson për të treguar se shkyçja është e suksesshme dhe bllokimi kyçet automatikisht pas 15 sekondash pa shtypur butonin.

● MBANI PARASYSH

Paneli aktual i kontrollit mund të ndryshojë në varësi të modelit.

AL

Udhëzimet e përdorimit

Caktimi i mekanizmit

- Shtypni butonin SETTING një herë për të ndryshuar cilësimin e temperaturës.
- Rregulloni sipas INGRANAZHEVE NË: LED4 -> LED3 -> LED2 -> LED1 -> LED4

Modaliteti i ftohjes së shpejtë

Hyrja te regjimi:

- Shtypni butonin e kontrollit të temperaturës për të ndezur LED1.

Funksionimi i modalitetit:

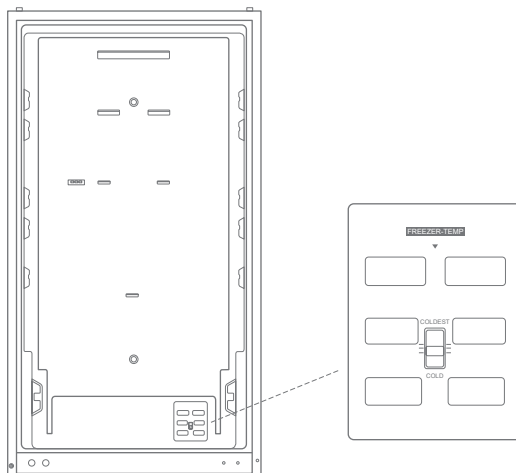
- Kompresori funksionon me shpejtësinë maksimale të temperaturës aktuale të ambientit.
- Ventilatori funksionon me shpejtësinë aktuale -1 (përparësia është më e ulët se mbingarkesa).
- Vendoseni në punë sipas pikës së nisjes-ndalimit të cilësimit me 2 gradë të ftohjes së shpejtë dhe mos e shkruani gjatë periudhës së ngrirjes së shpejtë (me përjashtim të shkrires së fuqishme).
- Shkrija pas pas daljes nga ftohja e shpejtë.

Dalja nga regjimi:

- Rregulloni temperaturën për të dalë nga modaliteti i ftohjes së shpejtë.
- Dilni pas 16 orësh pune në modalitetin e ftohjes së shpejtë.

Rregullimi i fletës së kanalit të ajrit

Ngrini butonin rrëshqitës të lagështuesit të ajrit dhe temperatura aktuale brenda dhomës së ngrirjes do të bjerë, ulni butonin rrëshqitës të lagështuesit të ajrit dhe temperatura aktuale brenda dhomës së ngrirjes do të rritet.



Kodi i gabimit

- Paralajmërimet e mëposhtme shfaqen në ekran për të treguar defektet përkatëse të frigoriferit. Ndonëse frigoriferi mund të vazhdojë të ketë funksion ftohjeje dhe ngrirjeje me defektet e mëposhtme, përdoruesi duhet të kontaktojë një specialist mirëmbajtjeje për mirëmbajtje, në mënyrë që të sigurojë përdorimin normal të frigoriferit.

Kodi i defektit	Përshkrimi i defektit
LED 1 dhe LED2 pulsojnë	Defekt në sensorin e temperaturës së frigoriferit
LED 1 dhe LED3 pulsojnë	Defekti në sensorin e shkërrijes së ngrirësit
LED 1 dhe LED4 pulsojnë	Defekt i sensorit të temperaturës së ambientit

Këshilla për ruajtjen e ushqimit

Dhoma e ngrirësit

- Ngrirësi është bërë për të mbajtur ushqime të ngrira në temperaturë shumë të ulët, për ruajtje të ushqimeve për kohë të gjatë dhe për të prodhuar akull.
- Raftet në derën e ngrirësit përdorini vetëm për të mbajtur ushqime të ngrira, jo për të vendosur ushqime të nxehta që duhen ngrirë.
- Mos i vendosni pranë njëra-tjetrës ushqimet e freskëta me ato të ngrira. Ushqimi i ngrirë mund të shkrijë.
- Kur ngrini ushqime të freskëta (si për shembull mish, peshk ose mish të grirë), ndajini në racione që t'i përdorni me radhë.
- Mbajtja e ushqimeve të ngrira: zakonisht udhëzimet tregohen në paketime, dhe duhen zbatuar. Nëse në paketim nuk ka informacion, ushqimi duhet të mbahet për jo më shumë se tre muaj nga data e blerjes.
- Kur blini ushqime të ngrira, sigurohuni që janë ngrirë në temperaturë të përshtatshme dhe që paketimi nuk është dëmtuar.
- Ushqimet e ngrira duhet të mbahen në paketime të përshtatshme për të ruajtur cilësinë, dhe duhet të kthehen te sektori i ngrirjes sa më shpejt të jetë e mundur.
- Nëse një paketim ushqimi të ngrirë ka shenja lagështie ose fryrjeje jonormale, ka të ngjarë që është mbajtur në temperaturë të papërshtatshme dhe ushqimi është prishur.
- Periudha e ruajtjes për ushqimet e ngrira varet nga temperatura e ambientit, konfigurimi i termostatit, sa shpesh hapet dera e ngrirësit, lloji i ushqimit dhe koha e transportit të produktit nga dyqani në shtëpi. Zbatoni gjithmonë udhëzimet në paketim dhe mos e kaloni asnjëherë kohën maksimale që tregohet në paketim.

Sektori i ftohjes

- Për të pakësuar lagështinë dhe grumbullimin e akullit që ndodh si pasojë, asnjëherë mos futni në frigorifer lëngje në enë pa kapak. Ngrica ka prirjen të përqendrohet në pjesët më të ftohta të evaporatorit. Mbajtja e lëngjeve të pambuluara bën që të nevojiten më shpesh shkrirje.
- Asnjëherë mos futni në frigorifer ushqime të ngrohta. Ato duhet të ftohen më parë në temperaturë ambiente dhe më pas të vendosen, me qëllim që të sigurohet qarkullim i përshtatshëm i ajrit në frigorifer.
- Ushqimet ose enët e ushqimeve nuk duhet të prekin murin e pasmë të frigoriferit, pasi mund të ngrijnë pas murit. Mos e hapni vazhdimisht derën e frigoriferit.
- Mishi dhe peshku i pastër (i paketuar në paketim ose qese plastike) mund të futet në frigorifer, i cili mund të konsumohet brenda 1-2 ditësh.
- Frutat dhe perimet pa paketim mund të vendosen në pjesën e caktuar për frutat dhe perimet e freskëta.

ATTENTION

Konfigurimi optimal i temperaturës për çdo sektor varet nga temperatura e ambientit. Temperatura mbi optimalen bazohet në temperaturën e ambientit mbi 25°C.

Rendi	LLOJI i hapësirës	Temperatura e synuar e ruajtjes [°C]	Ushqimi i përshtatshëm
1	Frigoriferi	$+2 \leq x \leq +8$	Vezët, ushqimet e gatuar, ushqimet e paketuara, frutat dhe perimet, produktet e bulmetit, kekët, pijet dhe ushqimet e tjera nuk janë të përshtatshme për ngrirje.
2	 Vlerësim me katër yje për ngrirjen	$x \leq -18$	Me kapacitetin e ngrirjes dhe shpejtësinë e lartë të ngrirjes, ushqimet mund të ftohen shpejt dhe të ruhen. E përshtatshme për ushqimet e freskëta të ngrira, si prodhimet e detit (peshk, kallamarë, midhje), produkte të ujërave të ëmbla dhe produktet e mishit. Rekomandohet për 3 - 6 muaj. Sa më e gjatë të jetë koha e ruajtjes, aq më të dobëta janë ëshhtë shija dhe vlerat ushqyese.
3	 Vlerësimi me tre yje për ngrirjen	$x \leq -18$	Me kapacitet ngrirjeje. E përshtatshme për ushqimet e freskëta të ngrira, si prodhimet e detit (peshk, kallamarë, midhje), produkte të ujërave të ëmbla dhe produktet e mishit. Rekomandohet për jo më shumë se 3 muaj.
4	 Vlerësimi me dy yje për ngrirjen	$x \leq -12$	E përshtatshme vetëm për të ruajtur për kohë mesatare të ushqimeve të ngrira tashmë, p.sh. akullore. Rekomandohet jo më shumë se 1 muaj.
5	 Vlerësimi me një yll për ngrirjen	$x \leq -6$	E përshtatshme për ftohje dhe për të ruajtur për kohë të shkurtër sasi të vogla të ushqimeve të ngrira tashmë. Rekomandohet jo më shumë se 1 javë.
6	O-yje	$-6 \leq x \leq 0$	Mishi i freskët i derri, i lopës, i pulës, disa ushqime të përpunuara të paketuara etj. (Rekomandohen që të hahen brenda ditës, preferohet jo më shumë se 3 ditë). Ushqime të përpunuara të paketuara pjesërisht (ushqime që nuk duhet të ngrinë).
7	Ftohje	$-2 \leq x \leq +3$	Mish derri i freskët/i ngrirë, mish lope, mish pule, produkte uji të ëmbël etj. (7 ditë nën 0°C dhe mbi 0°C rekomandohet për konsum brenda asaj dite, mundësisht jo më shumë se 2 ditë). Produktet e detit jo më pak se 0 për 15 ditë, nuk rekomandohet të ruhen mbi 0°C.
8	Ushqim i freskët	$0 \leq x \leq +4$	Mishi i freskët i derri, i lopës, i pulës, ushqime të gatuar etj. (Rekomandohen që të hahen brenda ditës, preferohet jo më shumë se 3 ditë)
9	Verë	$+5 \leq x \leq +20$	Verë e kuqe, verë e bardhë, verë me gaz etj.

● ATTENTION

Ju lutemi t'i ruani ushqimet e ndryshme në përputhje me hapësirat ose temperaturat e synuara të ruajtjes që janë blerë.

AL

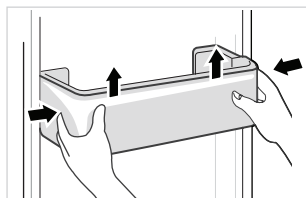
PASTRIMI DHE MIRËMBAJTJA

Shkrirja e akullit

- Frigoriferi është prodhuar me parimin e ftohjes së ajrit dhe si rrjedhojë, ka funksion shkrirjeje automatike. Bryma që formohet për shkak të stinës ose temperaturës mund të hiqet gjithashtu manualisht duke e shkëputur pajisjen nga furnizimi me energji ose duke e fshirë me një peshqir të thatë.

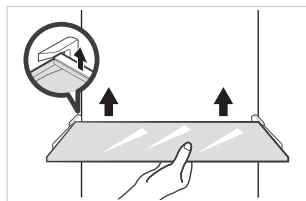
Pastrimi i tabakasë së derës

- Në përputhje me drejtimin e shigjetave në figurën e mëposhtme, përdorni të dyja duart për ta shtypur tabakanë dhe shtyjeni për lart dhe pastaj mund ta nxirrni.
- Pas larjes së tabakasë që keni nxjerrë, mund të rregulloni lartësinë e vendosjes së saj sipas nevojave tuaja.



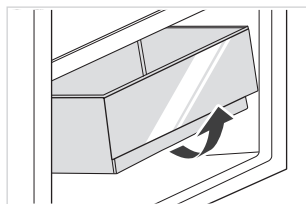
Pastrimi i raftit prej xhami

- Meqenëse pjesa fundore e veshjes së frigoriferit ku bën kontakt me raftet ka një ndalesë, duhet t'i ngrini raftet lart dhe atëherë mund t'i hiqni.
- Rregulloni ose pastroni raftet sipas nevojës suaj.



Pastrimi i raftit të perimeve

1. Hiqni artikujt nga rafti. Mbani dorezën e raftit të perimeve dhe tërhiqeni plotësisht derisa të ndalojë.
2. Ngrini lart raftin e perimeve dhe hiqeni duke e tërhequr.



● ATTENTION

Për pastrim sugjerohen peshqirë të butë ose një sfungjer i zhytur në ujë dhe detergjente neutrale që nuk gërryejnë. Ngrirësi duhet të pastrohet në fund me ujë të pastër dhe një leckë të thatë. Hapeni derën për tharje natyrale para se ta ndizni përsëri. Mos përdorni furça të forta, tela pastrimi, furça me tel, gërryes si pastë dhëmbësh, tretës organikë (si alkool, acetoni, vaj bananeje etj.), ujë të vluar, artikujt me acid ose alkale për të pastruar frigoriferin, sepse këto mund të dëmtojnë sipërfaqen e frigoriferit dhe pjesën e brendshme.

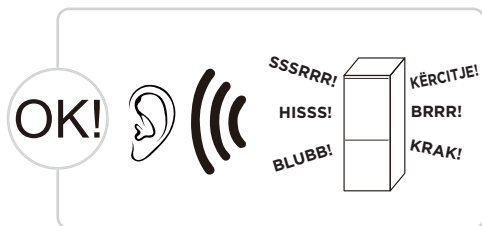
ZGJIDHJA E PROBLEMEVE

Problemet e thjeshta të mëposhtme mund të zgjidhen nga përdoruesi. Ju lutem të telefononi servisin nëse problemet nuk zgjidhen.

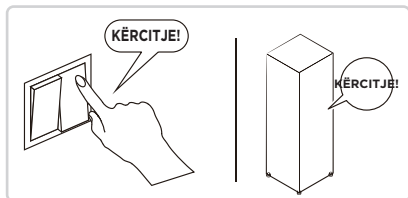
Problemi	Arsyeja e mundshme
Pajisja nuk punon	• Kontrolloni nëse pajisja është lidhur në rrymë ose nëse spina është vendosur mirë.
	• Kontrolloni nëse tensioni është shumë i ulët.
	• Kontrolloni nëse ka ndërprerje energjie ose ka rënë ndonjë siguresë.
Aromë e keqe	• Mbështillni mirë ushqimet me erë të fortë.
	• Kontrolloni nëse ka ushqime të prishura.
	• Pastroni pjesën e brendshme të frigoriferit.
Përdorimi i kompresorit për një kohë të gjatë.	• Përdorimi i frigoriferit për një kohë të gjatë është normal gjatë verës kur temperatura e ambientit është e lartë.
	• Nuk sugjerohet që të mbani shumë ushqim në pajisje në të njëjtën kohë.
	• Përpara se të vendosen në pajisje, ushqimet duhet të ftohen.
	• Dyert hapen shumë shpesh.
Drita nuk ndizet	• Kontrolloni nëse frigoriferi është lidhur me furnizimin me energji dhe nëse drita është e dëmtuar.
	• Ndërrojeni dritën me një specialist
Dera nuk mund të mbyllet siç duhet	• Dera ka ngecur nga paketimet e ushqimit
	• Frigoriferi është i anuar.
Zhurmë e lartë	• Kontrolloni nëse dyshemeja është në nivel dhe nëse frigoriferi është vendosur që të mos lëvizë.
	• Kontrolloni nëse pjesët janë vendosur në vendet e duhura.

Problemi	Arsyeja e mundshme
Gomina e derës nuk mbyllet mirë	<ul style="list-style-type: none"> • Hiqni materialet e huaja nga gomina e derës. • Ngrohni gominën e derës dhe pastaj ftohni që të rikthehet forma (për ta ngrohur përdorni një tharëse flokësh ose një peshqir të nxehtë).
Tabakaja e mbledhjes së ujit derdhet	<ul style="list-style-type: none"> • Nuk ka shumë ushqim në dhomë ose ushqimi që ndodhet përmban tepër ujë, dhe kjo shkakton shkrirje të tepruar. • Dyert nuk janë mbyllur saktë, duke krijuar brymë kur hyn ajri dhe rritje të nivelit të ujit për shkak të shkrirjes.
Fole e nxehtë	<ul style="list-style-type: none"> • Përhapja e nxehtësisë së kondensatorit të integruar nga foleja është normale. Kur foleja nxehet për shkak të temperaturës së lartë të ambientit, ruajtjes së një sasive të madhe ushqimi ose fikjes së kompresorit, mundësoni një ajrim të mirë, për të lehtësuar shpërndarjen e nxehtësisë.
Kondensim i sipërfaqes	<ul style="list-style-type: none"> • Kondensimi i sipërfaqes së jashtme dhe gominave të dyerve të frigoriferit është normal kur lagështia e ambientit është shumë e lartë. Thjesht thajeni kondensimin me një peshqir të pastër.
Zhurmë anormale	<ul style="list-style-type: none"> • Zukatje: Kompresori mund të prodhojë zhurmë zukatjeje gjatë përdorimit dhe kjo zukatje është e lartë veçanërisht gjatë ndezjes ose ndalimit. Kjo është normale. • Gërvimë: Gazi ftohës që rrjedh brenda pajisjes mund të krijojë një zhurmë gërvime, e cila është normale.

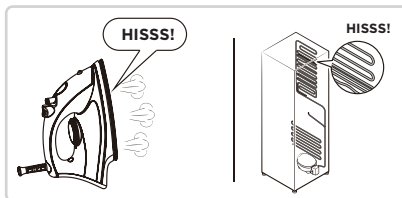
A i dëgjoni këto zhurma anormale si më poshtë? Zakonisht, këto zhurma janë normale.



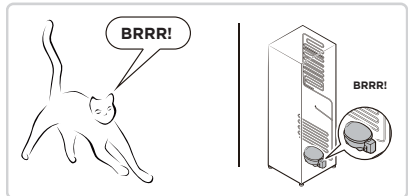
KËRCITJE: Disa pjesë elektrike në frigorifer, **HISS:** Kur gazi ftohës të rrjedhë në si për shembull valvula elektrike do të bëjë avullues, ai do të bëjë këtë zhurmë. Kjo këtë zhurmë kur punon. Kjo është normale.



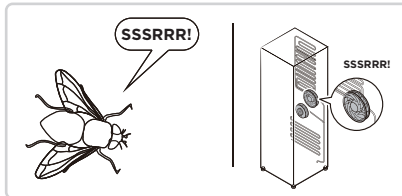
BRRR: Kompresori do të prodhojë këtë zhurmë gjatë përdorimit dhe zukatjet janë të larta, veçanërisht gjatë ndezjes ose ndalimit. Kjo është normale.



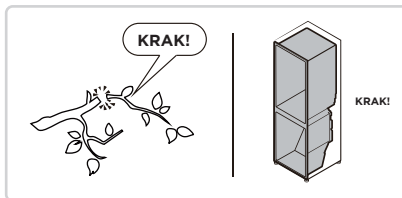
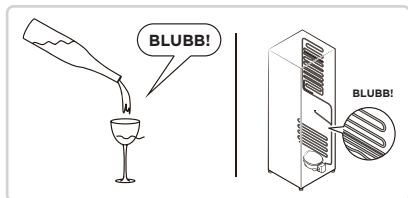
SSSSRRR: Motori i ventilatorit në frigoriferin Pa ngrirje do ta bëjë këtë zhurmë gjatë përdorimit. Kjo është normale.



BLUBB: Gazi ftohës që qarkullon në tubat e frigoriferit do ta bëjë këtë zhurmë. Kjo është normale.



KRAK: Zhurmë kërcitëse ose zhurmë akulli që thyhet: struktura e përgjithshme e frigoriferit, ngrica në tubin e ajrit do të shoqërohet me zhurmën e zgjerimit dhe tkurrjes termike; këto janë gjithashtu fenomene fizike normale.



SHTOJCË

Veçanërisht për standardin e ri evropian

Pjesët e porositura në tabelën e mëposhtme mund të blihen nëpërmjet kanalit të ofruesit të shërbimeve

Pjesa e porositur	Ofrkohet nga	Koha minimale që kërkohet për sigurimin
Termostate	Personali profesionist i mirëmbajtjes	Të paktën 7 vjet pas nxjerrjes në treg të modelit të fundit
Sensorë temperature	Personali profesionist i mirëmbajtjes	Të paktën 7 vjet pas nxjerrjes në treg të modelit të fundit
Panele qarku të stampuar	Personali profesionist i mirëmbajtjes	Të paktën 7 vjet pas nxjerrjes në treg të modelit të fundit
Burimet e dritës	Personali profesionist i mirëmbajtjes	Të paktën 7 vjet pas nxjerrjes në treg të modelit të fundit
Doreza dyersh	Riparuesit profesionistë dhe përdoruesit përfundimtarë	Të paktën 7 vjet pas nxjerrjes në treg të modelit të fundit
Menteshat e derës	Riparuesit profesionistë dhe përdoruesit përfundimtarë	Të paktën 7 vjet pas nxjerrjes në treg të modelit të fundit
Tabakatë	Riparuesit profesionistë dhe përdoruesit përfundimtarë	Të paktën 7 vjet pas nxjerrjes në treg të modelit të fundit
Shportat	Riparuesit profesionistë dhe përdoruesit përfundimtarë	Të paktën 7 vjet pas nxjerrjes në treg të modelit të fundit
Gomina dere	Riparuesit profesionistë dhe përdoruesit përfundimtarë	Të paktën 10 vjet pas nxjerrjes në treg të modelit të fundit

I nderuar klient,

1. Nëse dëshironi që ta ktheni ose ta zëvendësoni produktin, ju lutemi të kontaktoni dyqanin ku e bletë.
(Mos harroni të merrni me vete faturën e blerjes)
2. Nëse produkti prishet dhe ka nevojë për riparim, ju lutemi të kontaktoni kompaninë e shërbimeve pas shitjes.

MBANI PARASYSH

Informacioni i modelit në bazën e të dhënave të produktit, si dhe identifikuesi i modelit mund të gjenden nëpërmjet lidhjes së internetit, duke skanuar kodin QR nëse ka, mbi etiketën e efikasitetit të energjisë së produktit.

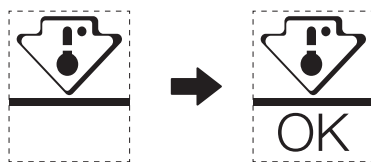
Për më shumë informacion rreth efikasitetit të energjisë së pajisjes, vizitoni <https://ec.europa.eu> dhe kërkoni duke përdorur emrin e modelit.

Emri i modelit mund të gjendet në etiketën e klasifikimit të pajisjes.

Zona më e ftohtë në frigorifer

OPSIONALE: Treguesi i temperaturës OK

- Treguesi i temperaturës OK mund të përdoret për të përcaktuar temperatura nën +4°C. Ulni gradualisht temperaturën nëse shenja nuk tregon "OK".



- Për të garantuar temperaturën në këtë zonë, mos e ndryshoni pozicionin e raftit. Frigoriferët me ajër të forcuar (të pajisur me ventilator ose modelet Pa Ngrirje), simboli i zonës më të ftohtë nuk tregohet sepse temperatura brenda është homogjene.

Konfigurimi i treguesit të temperaturës

- Për t'ju ndihmuar ta konfiguroni mirë frigoriferin, ai është i pajisur me një tregues temperature që monitoron temperaturën mesatare në zonën më të ftohtë.
- PARALAJMËRIM: Ky tregues ka për qëllim të punojë vetëm me frigoriferin tuaj, mos e përdorni në një frigorifer tjetër (në fakt, zona më e ftohtë nuk është e njëjtë), apo për ndonjë përdorim tjetër.

Kontrollimi i temperaturës në zonën më të ftohtë

- Me treguesin e temperaturës, mund të kontrolloni rregullisht që temperatura e zonës më të ftohtë është e saktë. Por, temperatura e brendshme e frigoriferit varet nga disa faktorë, si temperatura e ambientit të dhomës, sasia e ushqimit të ruajtur dhe shpeshtësia e hapjes së derës. Duhet të merren parasysh këta faktorë kur konfigurohet pajisja.
- Kur treguesi thotë «OK», kjo do të thotë që termostati është vendosur mirë dhe temperatura e brendshme është e saktë.
- Nëse treguesi i temperaturës bëhet I BARDHË, kjo do të thotë që temperatura është tepër e lartë; në këtë rast, rriteni kontrollin e temperaturës së frigoriferit dhe prisni 12 orë para se të bëni një kontroll tjetër me sy të treguesit. Kur futen ushqime të freskëta ose dera është lënë hapur, ekziston mundësia që treguesi i temperaturës të bëhet I BARDHË pas njëfarë kohe.

PODĚKOVÁNÍ

Děkujeme vám, že jste si zvolili značku Midea. Před použitím nového výrobku Midea si důkladně přečtete tento návod, abyste si byli jistí, že víte, jak bezpečně ovládat funkce, které váš nový spotřebič nabízí.

OBSAH

PODĚKOVÁNÍ	01
TECHNICKÉ ÚDAJE	02
PŘEHLED VÝROBKU	03
MONTÁŽ VÝROBKU	05
POKYNY K OVLÁDÁNÍ	13
ČIŠTĚNÍ A ÚDRŽBA	18
ŘEŠENÍ PROBLÉMŮ	19
DODATEK	22

TECHNICKÉ ÚDAJE

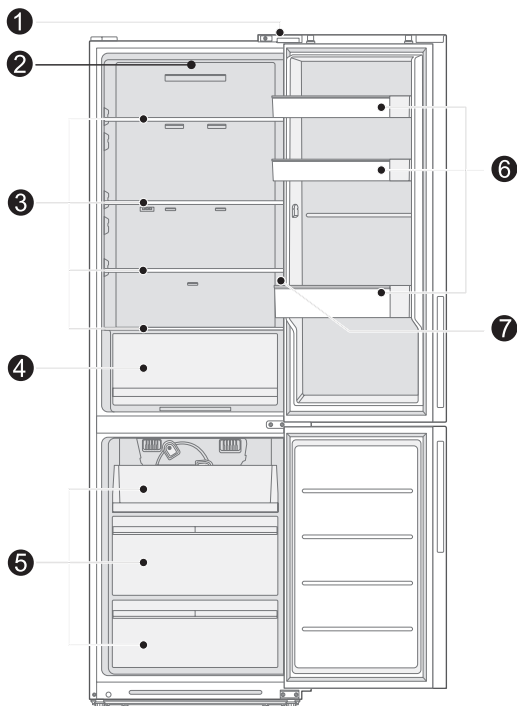
Model výrobku	MDRB548MME*
Jmenovité napětí/frekvence	220-240 V-/50 Hz
Jmenovitý proud	1,4 A
Celkový objem	401 l
Objem úložného prostoru pro čerstvé potraviny	271 l
Objem prostoru označeného čtyřmi hvězdičkami	130 l
Mrazicí kapacita	8,0 kg / 24 h
Doba náběhu teploty	8 h
Celkové rozměry (Š × H × V)	595 × 670 × 1 860 mm

Model výrobku	MDRB600MME*
Jmenovité napětí/frekvence	220-240 V-/50 Hz
Jmenovitý proud	1,4 A
Celkový objem	443 l
Objem úložného prostoru pro čerstvé potraviny	313 l
Objem prostoru označeného čtyřmi hvězdičkami	130 l
Mrazicí kapacita	8,0 kg / 24 h
Doba náběhu teploty	8 h
Celkové rozměry (Š × H × V)	595 × 670 × 2 010 mm

PŘEHLED VÝROBKU

Názvy součástí

MDRB548MME*



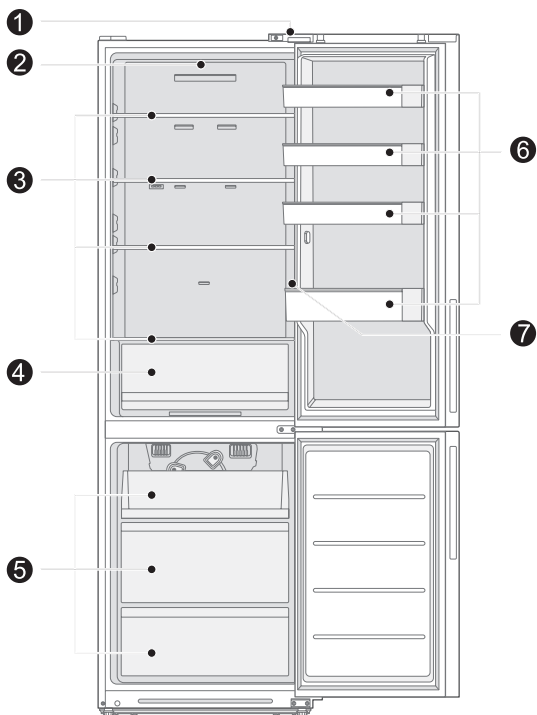
- | | | | |
|---|-------------------------------|---|----------------|
| 1 | Spínač dveří | 5 | Šuplík |
| 2 | Osvětlení LED | 6 | Police dveří |
| 3 | Police | 7 | Ovládací panel |
| 4 | Příhrádka na ovoce a zeleninu | | |

UPOZORNĚNÍ

Výše uvedený obrázek slouží pouze pro referenci. Skutečná konfigurace bude záviset na fyzickém výrobku nebo prohlášení distributora.

CZ

MDRB600MME*



- | | | | |
|---|-------------------------------|---|----------------|
| 1 | Spínač dveří | 5 | Šuplík |
| 2 | Osvětlení LED | 6 | Police dveří |
| 3 | Police | 7 | Ovládací panel |
| 4 | Příhrádka na ovoce a zeleninu | | |

UPOZORNĚNÍ

Výše uvedený obrázek slouží pouze pro referenci. Skutečná konfigurace bude záviset na fyzickém výrobku nebo prohlášení distributora.

MONTÁŽ VÝROBKU

Pokyny k montáži

Pro chladicí zařízení s klimatickou třídou

- V závislosti na klimatické třídě je tento chladicí spotřebič určen k použití v rozmezí okolní teploty podle následující tabulky.
- Klimatickou třídu najdete na typovém štítku. Výrobek nemusí při teplotách mimo uvedený rozsah fungovat správně.
- Klimatickou třídu najdete na štítku výrobku.

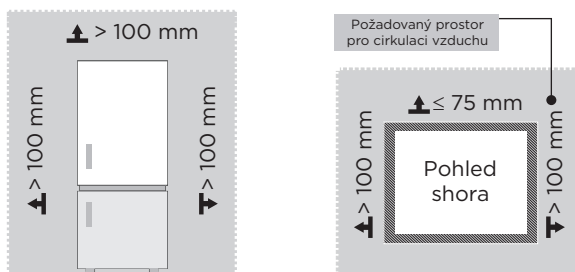
Efektivní rozsah teplot

- Výrobek je navržen tak, aby normálně fungoval v teplotním rozsahu určeném jeho třídou.

Třída	Symbol	Rozsah okolní teploty °C	
		IEC 62552 (ISO 15502)	ISO 8561
Rozšířené mírné pásmo	SN	+10 až +32	+10 až +32
Mírné pásmo	N	+16 až +32	+16 až +32
Subtropické pásmo	ST	+16 až +38	+18 až +38
Tropické pásmo	T	+16 až +43	+18 až +43

Rozměry a odstupy

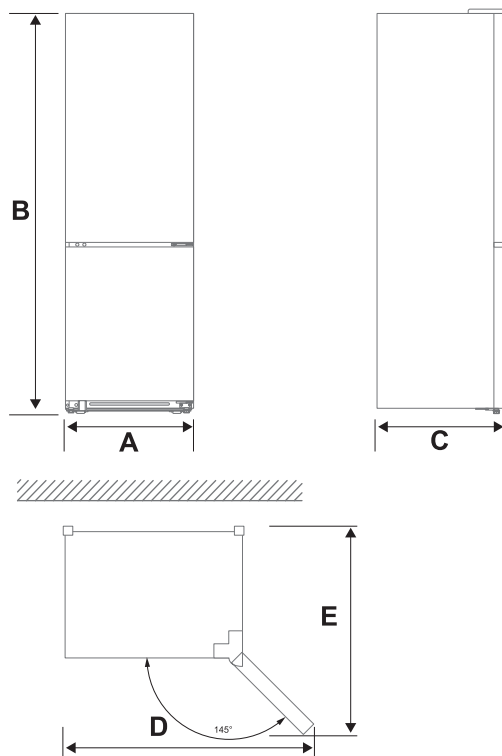
- Zajistěte, aby kolem skříně mohl volně cirkulovat vzduch. Při montáži spotřebiče zajistěte 10 cm volného místa po obou stranách, 10 cm nahoře nad spotřebičem a max. 7,5 cm za zadní částí spotřebiče.



● ATTENTION

Výše uvedený obrázek slouží pouze pro referenci. Skutečná konfigurace bude záviset na fyzickém výrobku nebo prohlášení distributora.

Schéma požadavků na prostor (při otevřených a zavřených dveřích)



Model	Šířka	Celková výška	Hloubka	Šířka při otevření dveří v úhlu 145°	Hloubka při otevření dveří v úhlu 145°
	A	B	C	D	E
MDRB548MME*	595	1 860	670	960	1 070
MDRB600MME*	595	2 010	670	960	1 070

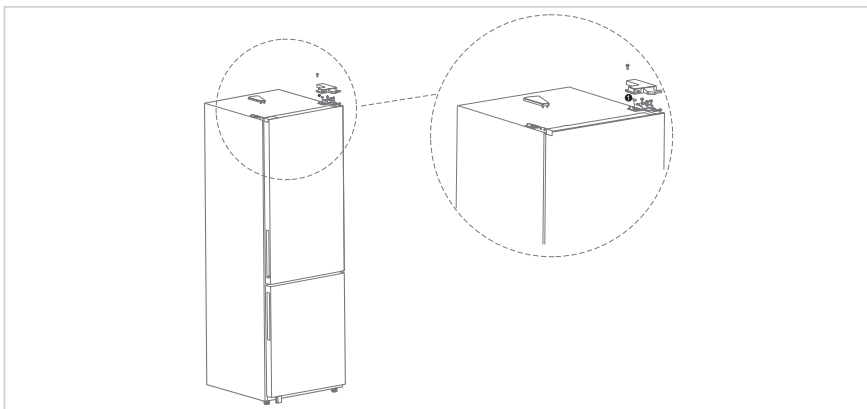
Poznámka: Všechny rozměry jsou uvedeny v milimetrech

CZ

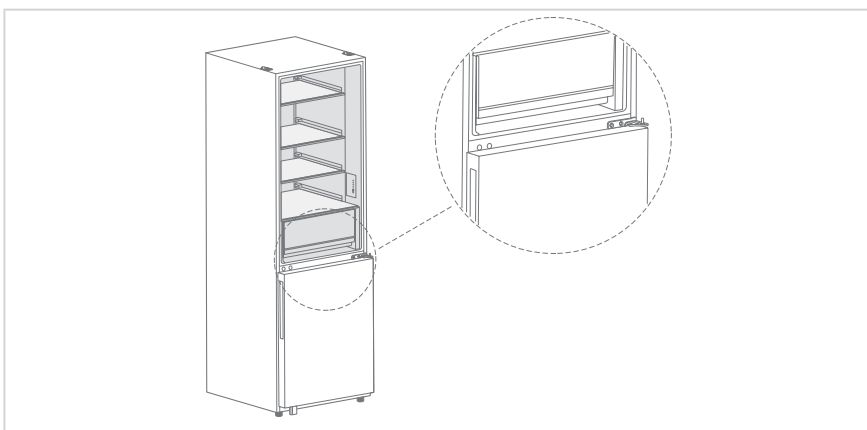
Obrácení dveří

V závislosti na místě, kde plánujete chladničku používat, může být pohodlnější obrátit orientaci dveří.

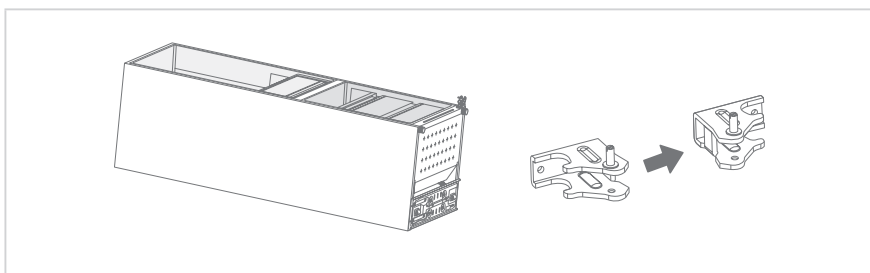
1. Sejměte díly ze dveří.
2. Sejměte dekorativní kryt krytu levého horního závěsu, kryt pravého horního závěsu a pravý horní závěs a odpojte signální kabel v pravé horní části chladničky (signální kabel ❶).



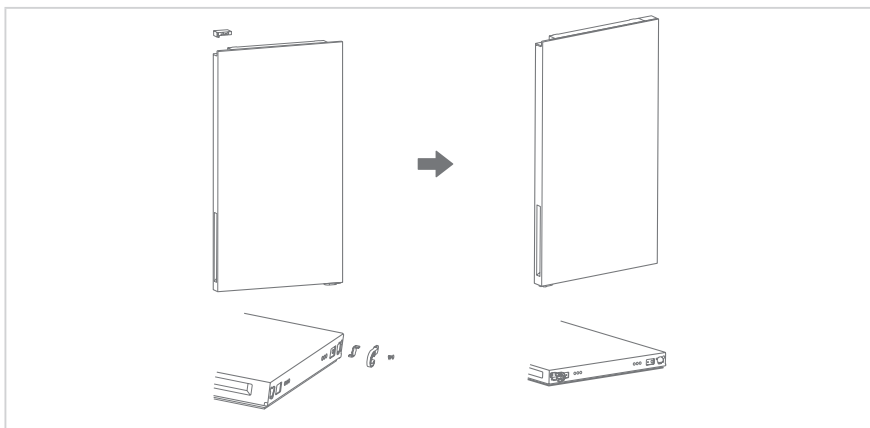
3. Sejměte dveře chladničky (dávejte pozor, abyste neztratili malé díly, jako jsou zarážky dveří). Sejměte střední závěs pro záložní používání a sejměte dekorativní kryt otvoru pro závěs, krytku a šrouby na druhé straně.



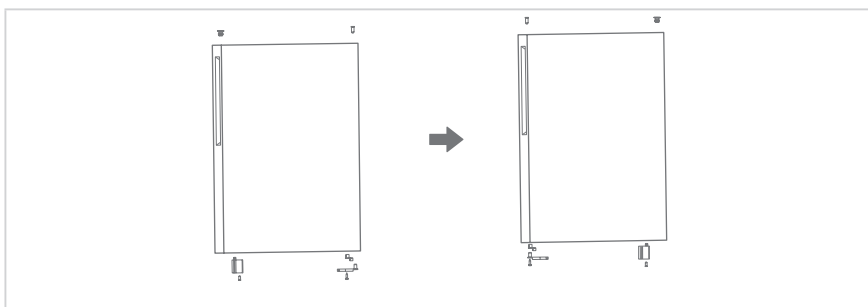
4. Sejměte dveře mrazničky (dávejte pozor, abyste neztratili malé díly, jako jsou objímky hřídele a zarážky dveří). Sejměte spodní závěs, hřídel spodního závěsu a namontujte ji na druhou stranu závěsu pro záložní používání.



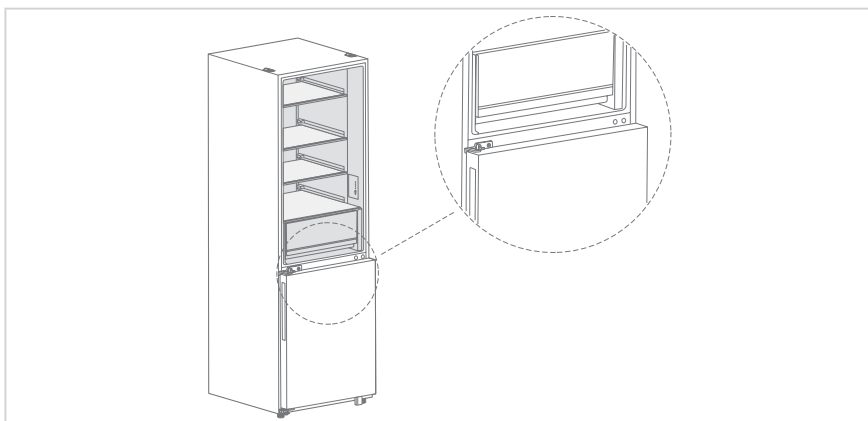
5. Výměna dveří chladničky: Sejměte levý dekorativní kryt a z balíčku příslušenství vezměte pravý dekorativní kryt a namontujte ho na druhou stranu horního koncového krytu. Sejměte automatické zavírání dveří chladničky a zarážku dveří. Z balíčku příslušenství vezměte levé automatické zavírání dveří a namontujte zarážku dveří a levé automatické zavírání dveří naopak na levou stranu spodního koncového krytu.



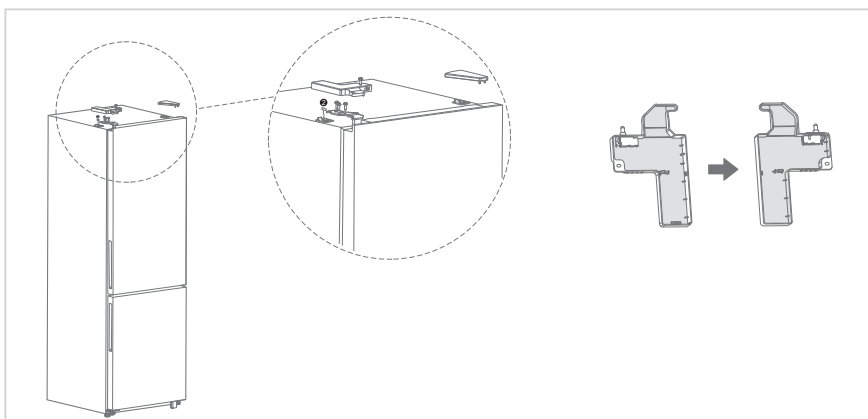
6. Spínač dveří mrazničky: Sejměte objímku horní koncové krytky dveří mrazničky a namontujte krytku obráceně na levé a pravé místo. Sejměte automatické zavírání dveří mrazničky, zarážku dveří a podporu dveří a z balíčku příslušenství vezměte levé automatické zavírání dveří. Namontujte zarážku dveří a levé automatické zavírání dveří naopak na levou stranu spodního koncového krytu mrazničky. Namontujte podporu dveří na pravou stranu spodního koncového krytu mrazničky.



7. Namontujte střední závěs a dveře chladničky na střední závěs. Pak namontujte spodní závěs a nasadte dekorativní kryt na otvor pro závěs.



8. Z balíčku příslušenství vezměte kryt levého horního závěsu, levý horní závěs a sejměte spínač namontovaný na krytu pravého závěsu a namontujte ho na kryt levého horního závěsu. Nasadte dveře chladničky na střední závěs a namontujte levý horní závěs. Zapojte horní signální kabel ② na levou stranu chladničky a spínač na kryt levého závěsu. Zakryjte a připevněte kryt levého závěsu a nakonec namontujte dekorativní kryt krytu závěsu na pravou stranu chladničky.



💡 ATTENTION

Některé obrázky v tomto návodu se mohou v důsledku technických změn a různých modelů lišit od vašeho modelu.

- Zkontrolujte, zda je chladnička odpojena a zda je prázdná.
- Mějte někoho při ruce, aby vám během procesu pomohl.
- Všechny součásti, které sejmete, si ponechte, abyste je mohli později znovu využít.



Vyrovnávací nožičky

Spotřebič musí být vyrovnán, aby se zabránilo vibracím.

Pokud to bude nutné, nastavte vyrovnávací nožičky, aby vykompenzovaly nerovnou podlahu.

Jako pomoc k zavírání dveří by měla být přední část spotřebiče mírně výš než zadní část.

Vyrovnávacími šrouby lze snadno otáčet, když spotřebič mírně nakloníte.

Otáčením vyrovnávacími šrouby proti směru hodinových ručiček  spotřebič zvednete, otáčením ve směru hodinových ručiček  jej snížíte.

Přesunování spotřebiče

1. Vyjměte z vnitřku spotřebiče veškeré potraviny.
2. Vytáhněte napájecí zástrčku, vložte ji na háček napájecí zástrčky na zadní nebo horní části spotřebiče a zástrčku připevněte.
3. Přilepte lepicí páskou díly, jako jsou police a madlo dveří, abyste zabránili jejich vypadnutí během přesunování spotřebiče.
4. Spotřebič opatrně přesunujte ve více než dvou lidech. Přepravujete-li spotřebič na delší vzdálenost, udržujte jej ve svislé poloze.
5. Jakmile bude spotřebič namontován na místě, připojte napájecí zástrčku do zásuvky, a spotřebič tak zapněte.

ATTENTION

Bezpečnostní opatření před uvedením do provozu:

Před prováděním změn musí být chladnička odpojena od napájení.

Je třeba přijmout opatření, aby nedošlo ke zranění osob.

Výměna žárovky

- Veškerou výměnu nebo údržbu žárovek LED by měl provádět výrobce, jeho servisní zástupce nebo podobně kvalifikovaná osoba.

ATTENTION

Tento výrobek obsahuje světelný zdroj třídy energetické účinnosti (G).

Připojení spotřebiče

Po instalaci spotřebiče zapojte zástrčku do zásuvky.

ATTENTION

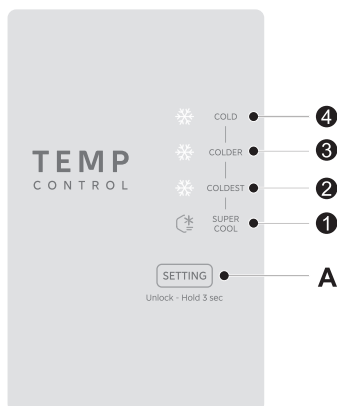
Po připojení napájecího kabelu (nebo zástrčky) do zásuvky počkejte 2 až 3 hodiny, než do spotřebiče vložíte potraviny. Pokud přidáte potraviny před úplným vychladnutím spotřebiče, mohou se zkažit.

Tipy pro úsporu energie

- Neumísťujte spotřebič do blízkosti sporáků, radiátorů ani jiných zdrojů tepla. Pokud je okolní teplota vysoká, kompresor se spouští častěji a po delší dobu, což vede k vyšší spotřebě energie.
- Zajistěte dostatečnou ventilaci u základny spotřebiče, po jeho stranách a za zadní částí spotřebiče. Ventilací otvory nikdy nezakrývejte.
- Dodržujte také odstupové vzdálenosti uvedené v kapitole „Montáž výrobku“.
- Uspořádání šuplíků, polic a drátěných roštů uvedené na obrázcích umožňuje nejeefektivnější využívání energie, a mělo by proto být co nejvíce dodržováno. Všechny šuplíky a police by měly zůstat ve spotřebiči, aby teplota zůstala stabilní a šetřila se energie.
- Chcete-li získat větší úložný prostor (např. pro velké kusy chlazeného/mrazeného zboží), lze prostřední šuplíky vyjmout. Horní a spodní šuplíky a police by měly být v případě potřeby vyndány jako poslední.
- Rovnoměrně naplněný chladicí/mrazicí prostor přispívá k optimálnímu využívání energie. Zabraňte proto tomu, aby byly prostory prázdné nebo poloprázdné.
- Teplé potraviny nechte před umístěním do chladničky/mrazničky vychladnout. Potraviny, které jsou již zchladnuté, zvyšují energetickou účinnost.
- Mrazené potraviny nechte rozmrazovat v chladničce. Chlad mrazených potravin snižuje spotřebu energie v chladicím prostoru, a tím zvyšuje energetickou účinnost.
- Otevírejte dveře krátce jen na nezbytnou dobu, abyste minimalizovali ztrátu chladu. Otevírání dveří na krátkou dobu a jejich řádné zavírání snižuje spotřebu energie.
- Těsnění dveří spotřebiče musí být dokonale neporušené, aby se dveře řádně dovíraly a spotřeba energie se zbytečně nezvyšovala.

POKYNY K OVLÁDÁNÍ

Ovládací panel



Tlačítko

A Tlačítko nastavení teploty

Obrazovka displeje

1	LED1 (SUPERCHLAZENÍ)
2	LED2 (2 °C/NEJCHLADNĚJŠÍ)
3	LED3 (4 °C/CHLADNĚJŠÍ)
4	LED4 (8 °C/CHLAZENÍ)

Displej

- Při prvním zapnutí se displej na dobu 3 sekund kompletně rozsvítí a pak se zobrazí normálně (výchozí je stupeň nastavení 4 °C).
- Když dojde k potížím, zobrazí kód potíže (v režimu zobrazení cyklu). V normálním stavu se místo kódu chyby zobrazuje stupeň nastavení chladničky.
- Pokud není během 15 sekund stisknuto žádné tlačítko, projeví se za normálních podmínek nastavení.

Zamknutí a odemknutí

- Stisknutím a podržením po dobu 3 sekund chladničku odemknete a indikátor LED bude blikáním indikovat, že odemknutí bylo úspěšné. Není-li po dobu 15 sekund stisknuto žádné tlačítko, automaticky se nastaví zámek.

UPOZORNĚNÍ

Skutečný ovládací panel se může model od modelu lišit.

CZ

Pokyny k obsluze

Nastavení vypínačem

- Jedním stisknutím tlačítka SETTING změňte nastavení teploty.
- Nastavení se mění v tomto pořadí: LED4 - > LED3 - > LED2 - > LED1 - > LED4

Režim rychlého chlazení

Přechod do režimu:

- K rozsvícení nastavení LED1 stiskněte tlačítko regulátoru teploty.

Ovládání režimu:

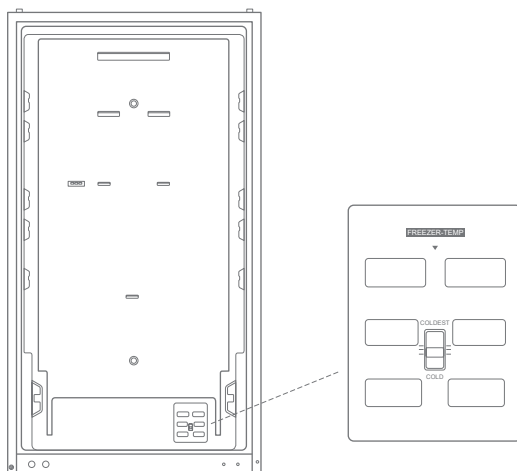
- Kompresor je v provozu při maximální rychlosti aktuálního okolního prostředí.
- Ventilátor je spuštěný při nastavení -1 aktuální rychlosti (priorita je nižší než přetížení).
- Spusťte režim podle počátečního-koncového bodu nastavení 2 rychlého chlazení a během doby rychlého mrazení neodmrazujte (kromě odmrazování při zapnutí).
- Odmrazení proběhne po skončení režimu rychlého chlazení.

Ukončení režimu:

- Režim rychlého chlazení ukončíte nastavením teploty.
- Režim rychlého chlazení se ukončí po 16 hodinách provozu.

Nastavení lopatky vzduchového vedení

Otočte posuvník vzduchové klapky nahoru, skutečná teplota uvnitř prostoru mrazničky klesne. Otočte posuvník vzduchové klapky dolů, skutečná teplota uvnitř prostoru mrazničky stoupne.



Chybový kód

- Následující výstrahy zobrazené na displeji indikují odpovídající závady chladničky. Přestože chladnička může při následujících poruchách stále poskytovat funkci chlazení a mrazení, uživatel musí požádat příslušného odborníka o údržbu, aby bylo možné chladničku používat běžným způsobem.

Kód chyby	Popis závady
Blikající indikátory LED1 a LED2	Závada teplotního senzoru chladničky
Blikající indikátory LED1 a LED3	Závada senzoru odmrazování chladničky
Blikající indikátory LED1 a LED4	Závada senzoru okolité teploty

Tipy pro skladování potravin

Mrazicí prostor


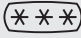
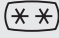

- Mraznička je určena pro skladování potravin zmrazených na velmi nízkou teplotu, pro dlouhodobé skladování mrazených potravin a k výrobě ledu.
- Police ve dveřích mrazničky používejte pouze ke skladování mrazených potravin, nikoli ke skladování horkých potravin určených ke zmrazení.
- Nepokládejte vedle sebe čerstvé a mrazené potraviny. Mrazené potraviny by mohly roztávat.
- Chcete-li zmrazit čerstvé potraviny (například maso, ryby nebo krájené maso), nakrájejte je na části, které lze použít najednou.
- Pokyny ke skladování mrazených potravin jsou obvykle uvedeny na balení potravin a je nutné je dodržovat. Pokud na balení nejsou uvedeny žádné informace, skladujte potraviny po dobu maximálně tří měsíců od data zakoupení.
- Při zakupování mrazených potravin se ujistěte, že potraviny byly zmrazeny na vhodnou teplotu a že balení není poškozeno.
- Mrazené potraviny by měly být uchovávány ve vhodných baleních, aby zůstala zachována jejich kvalita, a měly by být co nejdříve umístěny zpět do mrazicího prostoru.
- Pokud balení mrazených potravin vykazuje známky vlhkosti nebo abnormální vypoukliny, je pravděpodobné, že bylo skladováno při špatné teplotě a že obsah je znehodnocený.
- Doba skladování mrazených potravin závisí na pokojové teplotě, nastavení termostatu, frekvenci otevírání dveří mrazničky, typu potravin a době přepravy výrobku z obchodu do domácnosti. Vždy dodržujte pokyny vytištěné na balení a nikdy nepřekračujte maximální dobu skladování uvedenou na balení.

Chladicí prostor

- Tekutiny do chladničky nikdy nevkládějte v neutěsněných nádobách, abyste snížili vlhkost a zabránili následnému vytváření ledu. Námraza má tendenci se koncentrovat v nejméně chladných částech výparníku. Skladování nezakrytých tekutin vede k častější nutnosti odmrazování.
- Do chladničky nikdy nevkládějte teplé potraviny. Ty by měly nejprve zchladnout na pokojovou teplotu a poté být umístěny do chladničky, aby v ní byla zajištěna adekvátní cirkulace vzduchu.
- Potraviny ani nádoby s potravinami se nesmí dotýkat zadní stěny chladničky, protože by mohly k zadní stěně přimrznout. Neotevírejte dveře chladničky často.
- Do chladničky lze umístit maso a očištěné ryby (zabalené v balení nebo v plastové fólii), které lze spotřebovat do 1-2 dní.
- Ovoce a zeleninu bez obalu lze umístit do části určené pro čerstvé ovoce a zeleninu.

ATTENTION

Optimální nastavení teploty jednotlivých prostorů závisí na okolní teplotě. Výše uvedená optimální teplota je založena na okolní teplotě 25 °C.

Pořadí	Typ prostoru	Cílová skladovací teplota [°C]	Příslušná potravina
1	Chladnička	$+2 \leq x \leq +8$	Vejsce, važené potraviny, balené potraviny, ovoce a zelenina, mléčné výrobky, dorty, nápoje a další potraviny, které nejsou vhodné k mrazení.
2	 Prostor pro zmrazené potraviny se čtyřmi hvězdičkami	$x \leq -18$	Díky mrazicí kapacitě a rychlé rychlosti zmrazení lze potraviny rychle zmrazit a skladovat. Vhodný pro mrazené čerstvé potraviny, jako jsou mořské plody (ryby, krevety, korýši), výrobky ze sladkovodních živočichů a masné výrobky. Doporučuje se doba uložení 3–6 měsíců – čím delší bude, tím horší bude chuť a výživová hodnota potravin.
3	 Prostor pro zmrazené potraviny se třemi hvězdičkami	$x \leq -18$	S mrazicí kapacitou. Vhodný pro mrazené čerstvé potraviny, jako jsou mořské plody (ryby, krevety, korýši), výrobky ze sladkovodních živočichů a masné výrobky. Doporučuje se skladování maximálně 3 měsíce.
4	 Prostor pro zmrazené potraviny se dvěma hvězdičkami	$x \leq -12$	Prostor je vhodný pouze ke střednědobému skladování již zmrazených potravin, například zmrzliny. Doporučuje se skladování maximálně 1 měsíc.
5	 Prostor pro zmrazené potraviny s jednou hvězdičkou	$x \leq -6$	Prostor je vhodný pouze ke chlazení a krátkodobému skladování malých množství již zmrazených potravin. Doporučuje se skladování maximálně 1 týden.
6	0 hvězdiček	$-6 \leq x \leq 0$	Čerstvé vepřové, hovězí, ryby, kuřecí, některé balené zpracované potraviny atd. (doporučuje se je zkonsumovat ve stejný den, nejlépe do maximálně 3 dnů). Částečně balené zpracované potraviny (potraviny, které nejsou určeny k mrazení).
7	Zchlazovací prostor	$-2 \leq x \leq +3$	Čerstvé/mrazené vepřové, hovězí a kuřecí maso, výrobky ze sladkovodních živočichů atd. (pod 0 °C mohou být potraviny uchovávány po 7 dnů a nad 0 °C doporučujeme potraviny zkonsumovat ve stejný den, nejlépe maximálně do 2 dnů). Mořské plody méně než 0 °C po dobu 15 dnů, nedoporučujeme skladovat při teplotě nad 0 °C.
8	Čerstvé potraviny	$0 \leq x \leq +4$	Čerstvé vepřové, hovězí, ryby, kuřecí, važené potraviny atd. (doporučuje se je zkonsumovat ve stejný den, nejlépe do maximálně 3 dnů)
9	Víno	$+5 \leq x \leq +20$	Červené víno, bílé víno, šumivé víno atd.

CZ

● ATTENTION

Skladujte různé druhy potravin v jim příslušných prostorech nebo podle cílové skladovací teploty zakoupených výrobků.

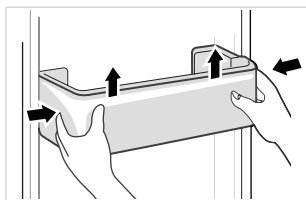
ČIŠTĚNÍ A ÚDRŽBA

Odmrazování

- Chladnička je založena na principu chlazení vzduchem, má proto funkci automatického odmrazování. Námraza, která se tvoří se změnou ročního období nebo teploty, lze odstranit také ručně odpojením spotřebiče od napájení nebo otřením suchou utěrkou.

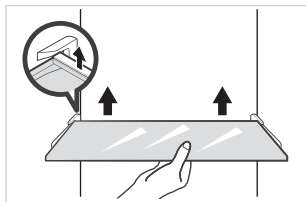
Čištění přihrádky ve dveřích

- Podle směru šipek na níže uvedeném obrázku stiskněte oběma rukama zásuvku, vytlačte ji nahoru a pak ji vyjměte.
- Po omytí vytažené zásuvky můžete při zpětném vkládání nastavit výšku jejího umístění podle svých požadavků.



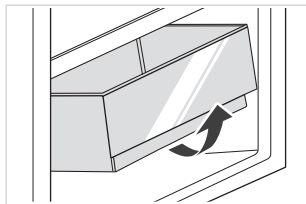
Čištění skleněné police

- V části obložení chladničky nejvíce vzadu, kde má police zarážku, nadvzvedněte polici směrem nahoru a poté ji budete moci vytáhnout.
- Podle požadavků police nastavte nebo vyčistěte.



Čištění zásuvky na zeleninu

1. Vyjměte obsah zásuvky. Uchopte madlo zásuvky na zeleninu a zcela jej vytáhněte, dokud se nezastaví.
2. Zvedněte zásuvku na zeleninu nahoru a vytažením ji vyjměte.



● ATTENTION

K čištění se doporučují měkké hadříky nebo houbičky namočené vodě a nekorozivní neutrální čisticí prostředky. Na závěr je mrazničku třeba očistit čistou vodou a suchým hadříkem. Než zapnete napájení, nechte dveře otevřené, aby prostor přirozeně vyschl. K čištění povrchu a vnitřního prostoru chladničky nepoužívejte tvrdé kartáče, kovové drátěnky, drátěné kartáče, abrazivní látky – například zubní pasty, organická rozpouštědla (například alkohol, aceton, izoamylacetát atd.), vařící vodu, kyseliny ani alkalické látky, které by je mohly poškodit.

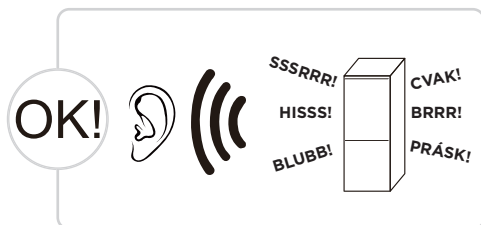
ŘEŠENÍ PROBLÉMŮ

Uživatel může vyřešit následující jednoduché problémy. Pokud se problémy nepodaří vyřešit, zavolejte na poprodejní servisní oddělení.

Problém	Možná příčina
Spotřebič nelze uvést do provozu	• Zkontrolujte, zda je spotřebič připojený k napájení a zda je zástrčka řádně zasunuta
	• Zkontrolujte, zda není napětí příliš nízké
	• Zkontrolujte, zda nedošlo k výpadku napájení nebo vynechávání některého obvodu
Dochází k zápachu	• Aromatické potraviny je nutné těsně zabalit
	• Zkontrolujte, zda není nějaká potravina zkažená
	• Vyčistěte vnitřní prostor chladničky
Kompresor je spuštěn dlouho	• Dlouhé spuštění kompresoru je normální v létě, nebo když je okolní teplota příliš vysoká
	• Nedoporučuje se vkládat do spotřebiče příliš mnoho potravin najednou
	• Než se potraviny do spotřebiče vloží, je nutné je zchladit
	• Neotevírejte dveře příliš často
Světlo nesvítlí	• Zkontrolujte, zda je chladnička připojena k napájení a zda není světlo poškozeno
	• Nechte žárovku vyměnit specialistou
Dveře nelze dostatečně zavřít	• Dveře jsou zaseknuté o balíčky s jídlem
	• Chladnička je nakloněna.
Jsou slyšet hlasité zvuky	• Zkontrolujte, zda je podlaha rovná a zda je chladnička umístěna stabilně
	• Zkontrolujte, zda je veškeré příslušenství na správném místě

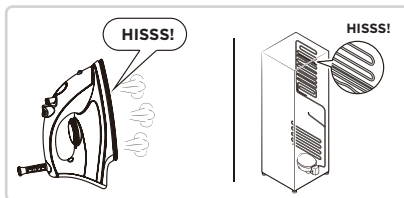
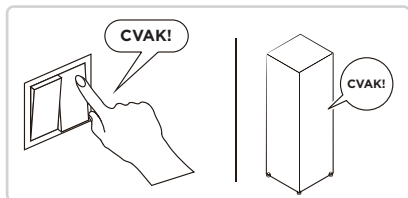
Problém	Možná příčina
Těsnění dveří nepřiléhá	<ul style="list-style-type: none"> • Sejměte z těsnění dveří cizí nečistoty • Zahřejte těsnění dveří a poté jej opět zchladte, aby se vrátilo do původního tvaru (například jej vyfoukejte elektrickým vysoušečem nebo k zahřátí použijte horký ručník)
Nádobka na vodu přetéká	<ul style="list-style-type: none"> • V oddílu je příliš mnoho potravin nebo uskladněné potraviny obsahují příliš mnoho vody, což vede k silnému odmrazování • Dveře nejsou řádně zavřeny, což vede k námraze kvůli přívodu vzduchu a většímu množství vody kvůli odmrazování
Plášť chladničky je horký	<ul style="list-style-type: none"> • Dochází k odvodu tepla vestavěného kondenzátoru přes kryt, což je normální. Zahřívá-li se kryt v důsledku vysoké okolní teploty a skladování příliš velkého množství potravin nebo se vypne kompresor, zajistěte dobré větrání, aby se usnadnil odvod tepla
Na povrchu dochází ke kondenzaci	<ul style="list-style-type: none"> • Kondenzace na vnějším povrchu a těsnění dveří chladničky je normální, když je okolní vlhkost příliš vysoká. Kondenzát stačí otřít čistým ručníkem.
Dochází k abnormálnímu hluku	<ul style="list-style-type: none"> • Bzučení: Kompresor může během provozu bzučet a toto bzučení je hlasité zejména při spouštění a zastavování. Jedná se o normální jev. • Skřípot: Chladivo proudící vnitřkem spotřebiče může produkovat skřípot, což je normální jev.

Slyšíte níže uvedené abnormální zvuky? Tyto zvuky bývají obvykle normální.



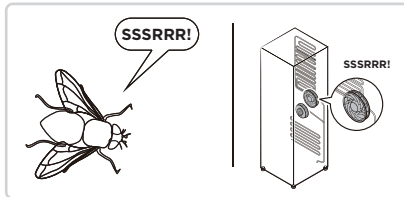
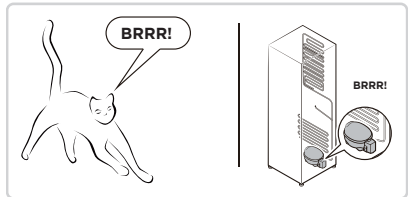
CVAK: Tento zvuk vydávají při provozu některé elektrické součásti v chladničce, jako je elektrický ventil. Jedná se o normální jev.

HISSS: Tento zvuk vydává chladivo, když vtéká do výparníku. Jedná se o normální jev.



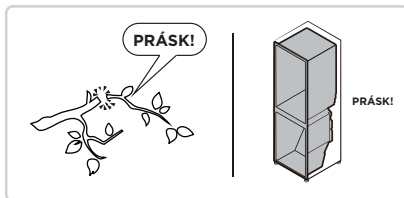
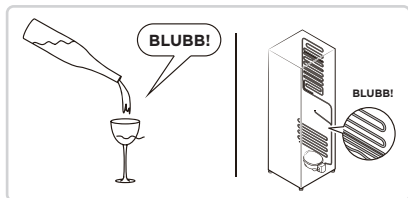
BRRR: Tento zvuk vydává během provozu kompresor a toto bzučení je hlasité zejména při spouštění a zastavování. Jedná se o normální jev.

SSSRRR: Tento zvuk vydává během provozu motor ventilátoru v beznárazové chladničce. Jedná se o normální jev.



BLUBB: Tento zvuk vydává během provozu chladivo, když protéká trubkami chladničky. Jedná se o normální jev.

PRÁSK: Praskavý zvuk nebo zvuk jako při lámání ledu: Tento zvuk roztahování vydávají při tepelné expanzi a kontrakci celková konstrukce chladničky a námraza ve vedení vzduchu. Jedná se také o normální fyzický jev.



CZ

DODATEK

Speciální poznámka pro novou evropskou normu

Díly k objednání v následující tabulce lze získat od poskytovatele servisu

Díl k objednání	Kdo jej poskytuje	Minimální doba požadovaná k poskytování
Termostaty	Profesionální specialisté na údržbu	Nejméně 7 let od uvedení posledního modelu na trh
Teplotní senzory	Profesionální specialisté na údržbu	Nejméně 7 let od uvedení posledního modelu na trh
Desky plošných spojů	Profesionální specialisté na údržbu	Nejméně 7 let od uvedení posledního modelu na trh
Žárovky	Profesionální specialisté na údržbu	Nejméně 7 let od uvedení posledního modelu na trh
Madla dveří	Profesionální opraváři a koncoví uživatelé	Nejméně 7 let od uvedení posledního modelu na trh
Závěsy dveří	Profesionální opraváři a koncoví uživatelé	Nejméně 7 let od uvedení posledního modelu na trh
Police dveří	Profesionální opraváři a koncoví uživatelé	Nejméně 7 let od uvedení posledního modelu na trh
Koše	Profesionální opraváři a koncoví uživatelé	Nejméně 7 let od uvedení posledního modelu na trh
Těsnění dveří	Profesionální opraváři a koncoví uživatelé	Nejméně 10 let od uvedení posledního modelu na trh

Vážený zákazníku,

1. Pokud chcete výrobek vrátit nebo vyměnit, obraťte se na obchod, kde jste jej zakoupili.
(Nezapomeňte přinést stvrzenku)
2. Pokud dojde k poruše výrobku a je vyžadována oprava, obraťte se na poskytovatele prodejných služeb.

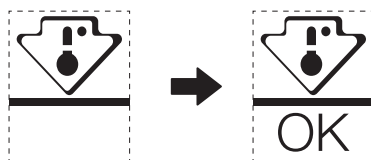
UPOZORNĚNÍ

Informace o modelu v databázi výrobků lze stejně jako označení modelu získat prostřednictvím webového odkazu otevřeného naskenováním kódu QR na štítku energetické účinnosti výrobku (nachází-li se tam).
Informace o energetické účinnosti spotřebiče jsou uvedeny na webu <https://ec.europa.eu>, kde je vyhledáte podle názvu modelu.
Název modelu lze nalézt na typovém štítku spotřebiče.

Nejchladnější zóna chladničky

VOLITELNÉ: Indikátor OK-teploty

- Indikátor OK-teploty lze použít k určení teplot pod +4 °C. Pokud není na značce uvedeno „OK“, snižujte postupně teplotu.



- K zajištění teploty tohoto prostoru neměňte umístění police. U chladniček s nuceným oběhem vzduchu (vybavených ventilátorem nebo beznárazových) není symbol nejchladnější zóny uveden, protože teplota uvnitř je homogenní.

Nastavení indikátoru teploty

- Chladnička je vybavena indikátorem teploty, který monitoruje průměrnou teplotu nejchladnější zóny, aby vám to pomohlo chladničku dobře nastavit.
- VAROVÁNÍ:** Tento indikátor je určen k fungování pouze s touto chladničkou. Nepoužívejte jej v jiné chladničce (nejchladnější zóny se ve skutečnosti liší) ani k žádnému jinému použití.

Kontrola teploty nejchladnější zóny

- Pomocí indikátoru teploty můžete pravidelně kontrolovat, že je teplota nejchladnější zóny správná. Vnitřní teplota chladničky ve skutečnosti závisí na několika faktorech, jako je okolní teplota v místnosti, množství uložených potravin a frekvence otevírání dveří. Vezměte tyto faktory při nastavování spotřebiče v úvahu.
- Pokud se na indikátoru zobrazuje „OK“, znamená to, že je termostat dobře nastaven a vnitřní teplota je správná.
- Pokud se indikátor teploty změní na BÍLOU barvu, znamená to, že je teplota příliš vysoká. V takovém případě zvýšte nastavení ovládání teploty chladničky a počkejte 12 hodin, než indikátor znovu vizuálně zkontrolujete. Je možné, že indikátor teploty změní dočasně barvu na BÍLOU, když vložíte čerstvé potraviny nebo když dveře zůstanou chvíli otevřené.

ĎAKOVNÝ LIST

Ďakujeme vám, že ste si vybrali značku Midea! Pred použitím svojho výrobku značky Midea si dôkladne prečítajte tento návod, aby ste vedeli, ako bezpečne používať vlastnosti a funkcie vášho nového spotrebiča.

OBSAH

ĎAKOVNÝ LIST	01
ŠPECIFIKÁCIE	02
PREHĽAD VÝROBKU	03
INŠTALÁCIA VÝROBKU	05
POKYNY NA POUŽÍVANIE	13
ČISTENIE A ÚDRŽBA	18
ODSTRAŇOVANIE PROBLÉMOV	19
PRÍLOHA	22

ŠPECIFIKÁCIE

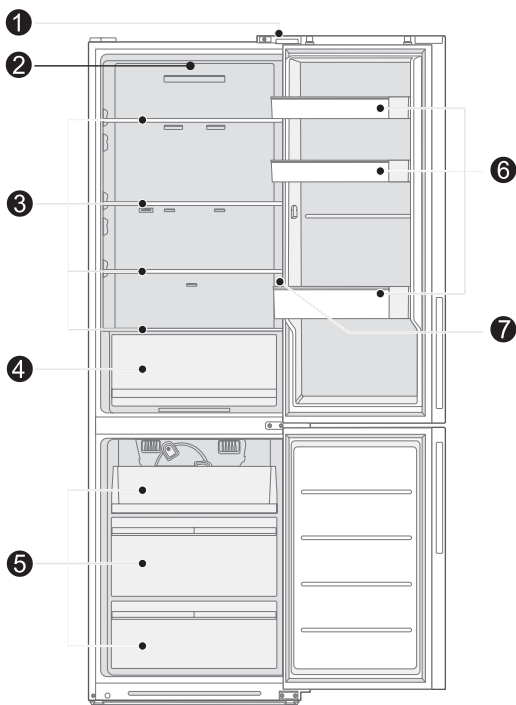
Produktový model	MDRB548MME*
Menovité napätie/frekvencia	220 – 240 V stried./50 Hz
Menovitý prúd	1,4 A
Celkový objem	401 l
Objem priestoru na uloženie čerstvých potravín	271 l
Objem štvorhviezdičkovej priehradky	130 l
Mraziaci výkon	8,0 kg/24 h
Čas zvýšenia teploty	8 h
Celkové rozmery (Š x H x V)	595 x 670 x 1860 mm

Produktový model	MDRB600MME*
Menovité napätie/frekvencia	220 – 240 V stried./50 Hz
Menovitý prúd	1,4 A
Celkový objem	443 l
Objem priestoru na uloženie čerstvých potravín	313 l
Objem štvorhviezdičkovej priehradky	130 l
Mraziaci výkon	8,0 kg/24 h
Čas zvýšenia teploty	8 h
Celkové rozmery (Š x H x V)	595 x 670 x 2010 mm

PREHĽAD VÝROBKU

Názvy dielov

MDRB548MME*



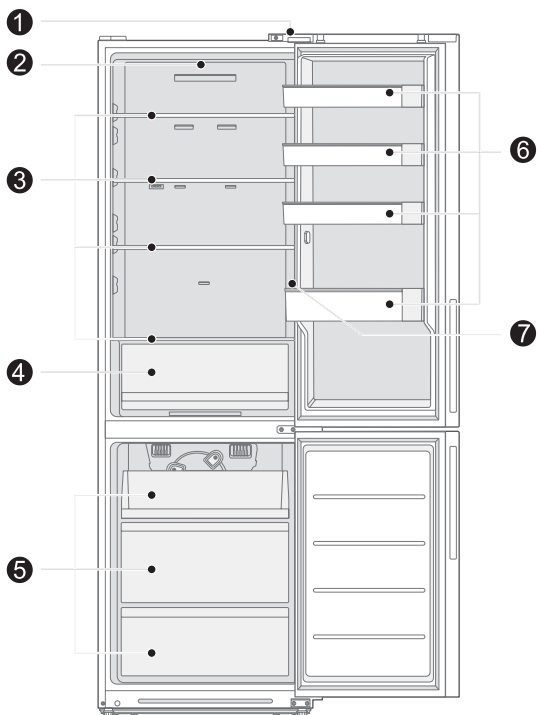
- | | | | |
|---|--------------------------|---|----------------|
| 1 | Spínač dverí | 5 | Zásuvka |
| 2 | Svetlo LED | 6 | Dverná zásuvka |
| 3 | Polica | 7 | Ovládací panel |
| 4 | Box na ovocie a zeleninu | | |

UPOZORNENIE

Hore znázornený obrázok je len ilustračný. Skutočná konfigurácia závisí od reálneho výrobku alebo vyhlásenia distribútora.

SK

MDRB600MME*



- | | | | |
|---|--------------------------|---|----------------|
| 1 | Spínač dverí | 5 | Zásuvka |
| 2 | Svetlo LED | 6 | Dverná zásuvka |
| 3 | Polica | 7 | Ovládací panel |
| 4 | Box na ovocie a zeleninu | | |

UPOZORNENIE

Hore znázornený obrázok je len ilustračný. Skutočná konfigurácia závisí od reálneho výrobku alebo vyhlásenia distribútora.

INŠTALÁCIA VÝROBKU

Pokyny na inštaláciu

Pre chladiace zariadenia s klimatickou triedou

- V závislosti od klimatickej triedy je toto chladiace zariadenie určené na použitie pri teplote okolia uvedenej v nasledujúcej tabuľke.
- Klimatická trieda je uvedená na typovom štítku. Výrobok nemusí správne fungovať pri teplotách mimo uvedeného rozsahu.
- Klimatická trieda je uvedená na produktovom štítku.

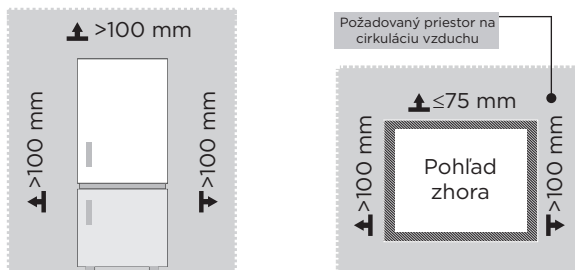
Efektívny rozsah teploty

- Výrobok je určený na bežnú prevádzku pri rozsahu teplôt podľa príslušnej klasifikačnej triedy.

Trieda	Symbol	Rozsah okolitej teploty v °C	
		IEC 62552 (ISO 15502)	ISO 8561
Rozšírená teplota	SN	+10 až +32	+10 až +32
Teplota	N	+16 až +32	+16 až +32
Subtrópy	ST	+16 až +38	+18 až +38
Trópy	T	+16 až +43	+18 až +43

Rozmery a odstupy

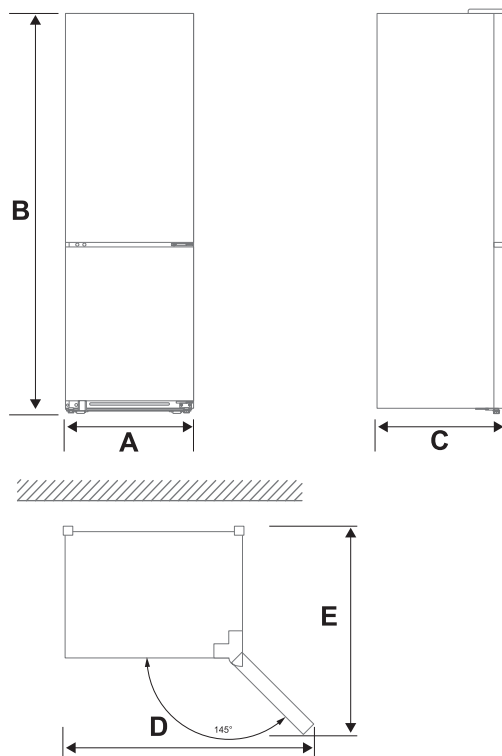
- Dbajte na to, aby okolo skrine mohol voľne prúdiť vzduch. Pri umiestňovaní prístroja nechajte z obidvoch strán 10 cm voľného priestoru, 10 cm zhora prístroja a nie viac ako 7,5 cm zozadu prístroja.



● ATTENTION

Hore znázornený obrázok je len ilustračný. Skutočná konfigurácia závisí od reálneho výrobku alebo vyhlásenia distribútora.

Schéma priestorových nárokov (keď sú dvere otvorené a keď sú dvere zatvorené)



Model	Šírka	Celková výška	Hĺbka	Šírka s dverami otvorenými na 145°	Hĺbka s dverami otvorenými na 145°
	A	B	C	D	E
MDRB548MME*	595	1860	670	960	1070
MDRB600MME*	595	2010	670	960	1070

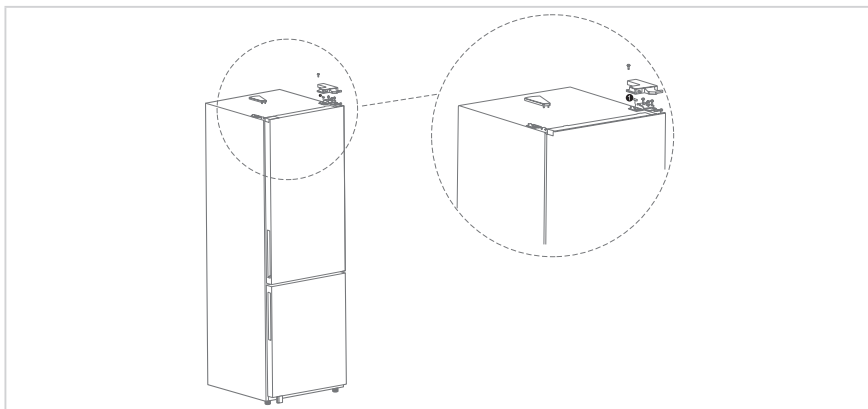
Upozornenie: Všetky rozmery sú v mm

SK

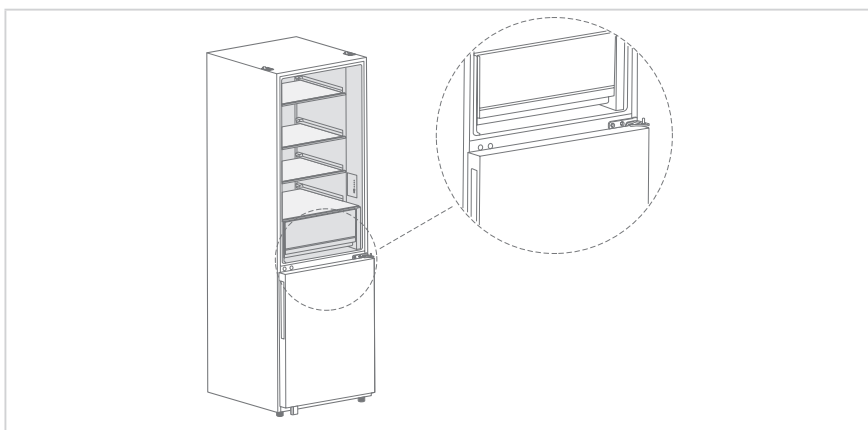
Otočenie dverí

Podľa toho, na akom mieste plánujete používať svoju chladničku, môže byť pre vás pohodlnejšie, keď sa otváranie dvierok otočí.

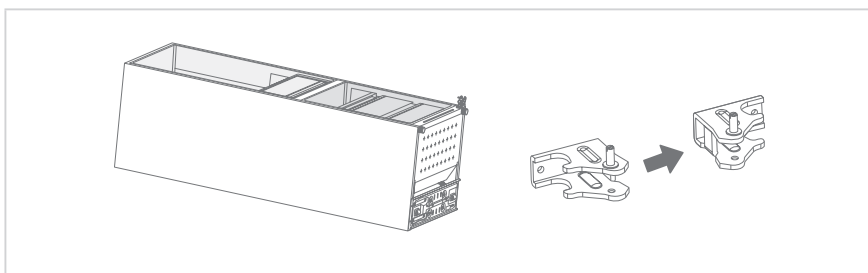
1. Odstráňte predmety z telesa dverí.
2. Odstráňte ozdobný kryt krytu ľavého horného závesu, kryt pravého horného závesu, pravý horný záves, odpojte signálne vedenie na pravej hornej strane telesa chladničky (1 signálne vedenie).



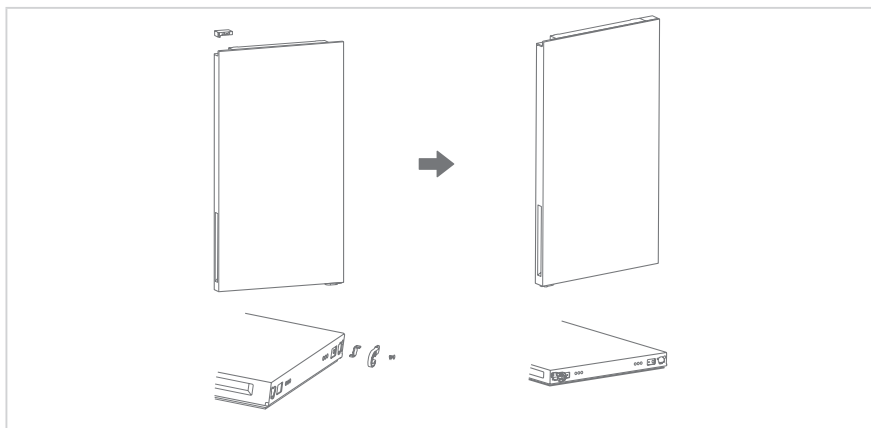
3. Odstráňte teleso dverí chladničky (dávajte pozor, aby ste nestratili malé časti, ako sú zarážky dverí); Odstráňte stredný záves na záložné použitie a odstráňte ozdobný kryt otvoru závesu, uzáver a skrutky na druhej strane.



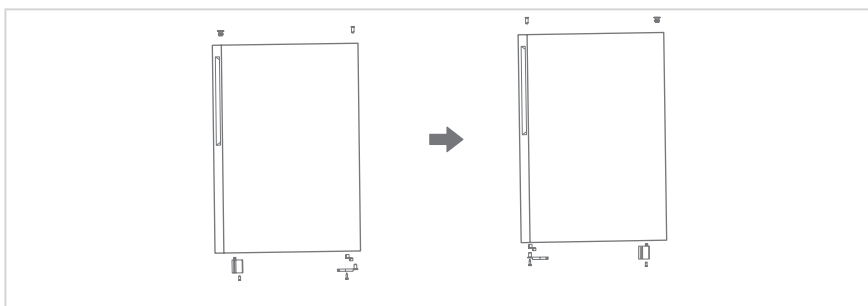
4. Odstráňte teleso dverí mrazničky (dávajte pozor, aby ste nestratili malé časti, ako sú objímky hriadeľa a zarážky dverí); Odstráňte spodný záves, odstráňte hriadeľ spodného závesu a nainštalujte ho na druhú stranu závesu, odstráňte spodný záves, odstráňte hriadeľ spodného závesu a nainštalujte ho na druhú stranu závesu na záložné použitie.



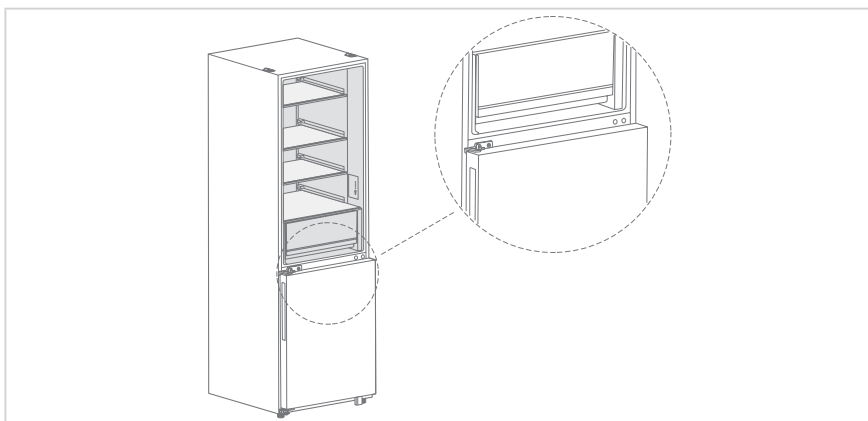
5. Výmena dverí chladničky; Vyberte ľavý ozdobný kryt, vyberte pravý ozdobný kryt z balíka príslušenstva a nainštalujte ho na druhú stranu horného koncového krytu; odstráňte samozaistovací mechanizmus chladiacich dverí, zarážku dverí, vyberte samozaistovací mechanizmus ľavých dverí z balíka príslušenstva a následne namontujte zarážku dverí a samozaistovací mechanizmus ľavých dverí na ľavú stranu spodného koncového krytu.



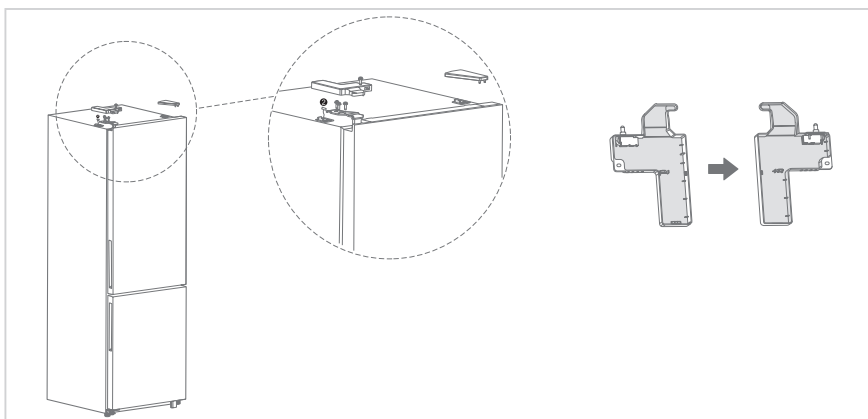
6. Spínač dverí mrazničky; Odstráňte objímku horného koncového uzáveru dverí mrazničky a namontujte uzáver do ľavej a pravej zameniteľnej polohy; Odstráňte samozaistovací mechanizmus dverí mrazničky, zarážku dverí a podperu dverí, vyberte samozaistovací mechanizmus ľavých dverí z balíka príslušenstva, následne namontujte zarážku dverí a samozaistovací mechanizmus ľavých dverí na ľavú stranu spodného koncového krytu mrazničky a namontujte podperu dverí na pravú stranu spodného koncového krytu mrazničky.



7. Nainštalujte stredný záves a dvere chladničky na stredný záves, potom nainštalujte spodný záves a zakryte otvor závesu ozdobným krytom.



8. Vyberte ľavý horný kryt závesu z balíka príslušenstva, ľavý horný záves, odstráňte spínač nainštalovaný na kryte pravého závesu a namontujte ho na kryt ľavého horného závesu; umiestnite teleso dverí chladničky na stredný záves a nainštalujte ľavý horný záves; pripojte horné signálne vedenie ② na ľavej strane chladničky a spínač na kryte ľavého závesu, zakryte a upevnite kryt ľavého závesu a nakoniec namontujte ozdobný kryt krytu závesu na pravú stranu telesa chladničky.



● ATTENTION

Z dôvodu technických zmien a rôznych modelov sa niektoré obrázky v tejto príručke môžu líšiť od vášho modelu.

- Skontrolujte, či je chladnička odpojená od napájania a prázdna.
- Zavolajte si niekoho, kto vám bude pri práci pomáhať.
- Odložte si všetky diely, ktoré demontujete, aby ste ich neskôr mohli použiť.


Vyrovnávacia noha

Prístroj sa musí vyrovať, aby nedochádzalo k vibráciám.

Podľa potreby nastavte vyrovnávacie skrutky tak, aby kompenzovali nerovnosti podlahy.

Predná strana by mala byť o niečo vyššie ako zadná, aby sa uľahčilo zatváranie dvierok.

Vyrovnávacie skrutky sa dajú ľahko otáčať po miernom naklonení skrine.

Otáčaním vyrovnávacích skrutiek proti smeru hodinových ručičiek  sa prístroj zdvihne, v smere hodinových ručičiek  sa spustí.

Premiestňovanie spotrebiča

1. Vyberte všetky potraviny zvnútra spotrebiča.
2. Vytiahnite zástrčku napájania zo zásuvky, zaveste ju na určený háčik na zadnej alebo hornej strane spotrebiča a upevnite ju.
3. Pohyblivé diely ako poličky a rukoväti dvierok upevnite páskou, aby pri premiestňovaní nevypadli.
4. Spotrebič premiestňujte opatrne a využite pomoc aspoň dvoch osôb. Keď prepravujete spotrebič na väčšiu vzdialenosť, udržiajte ho v zvislej polohe.
5. Po umiestnení spotrebiča zasuňte zástrčku napájania do zásuvky, aby ste mohli spotrebič zapnúť.

ATTENTION

Preventívne opatrenia pred použitím:

Pred vykonaním zmien je potrebné chladničku odpojiť od napájania.

Mali by sa prijať preventívne opatrenia, aby sa predišlo akémukoľvek zraneniu osôb.

Výmena svetla

- Všetky výmeny alebo údržbu LED svetiel musí robiť výrobca, jeho servisný zástupca alebo podobne kvalifikovaná osoba.

ATTENTION

Tento výrobok obsahuje svetelný zdroj s energetickou účinnosťou triedy (G).

Pripojenie spotrebiča

Po inštalácii spotrebiča zapojte zástrčku do zásuvky.

ATTENTION

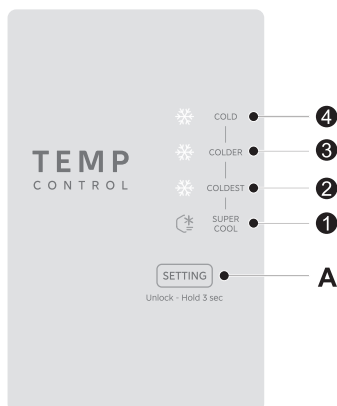
Po zapojení napájacej šnúry (alebo zástrčky) do zásuvky počkajte 2 alebo 3 hodiny, kým do spotrebiča vložíte potraviny. Ak pridáte jedlo pred úplným vychladnutím spotrebiča, jedlo sa môže pokaziť.

Rady na úsporu energie

- Spotrebič neumiestňujte do blízkosti sporákov, radiátorov ani iných zdrojov tepla. Ak je okolitá teplota vysoká, kompresor bude v činnosti častejšie a dlhšie, čo má za následok zvýšenú spotrebu energie.
- Zabezpečte dostatočné vetranie v spodnej časti spotrebiča, po stranách spotrebiča a na zadnej strane spotrebiča. Nikdy nezakrývajte vertacie otvory.
- Dodržte aj rozmery rozstupov uvedené v kapitole „Inštalácia“.
- Usporiadanie zásuviek, políc a regálov, ako je znázornené na obrázku, ponúka najefektívnejšie využitie energie, a preto by sa malo čo najviac zachovať. Všetky zásuvky a police by mali zostať v spotrebiči, aby sa udržala stabilná teplota a šetrila sa energia.
- Pre získanie väčšieho úložného priestoru (napr. pre veľké chladené/mrazené tovary) je možné stredné zásuvky vybrať. Horné a spodné zásuvky a police by mali byť v prípade potreby odstránené ako posledné.
- K optimálnemu využitiu energie prispieva rovnomerne naplnený priestor chladničky/mrazničky. Vyhňte sa preto prázdny alebo poloprázdny priehradkám.
- Teplé jedlo nechajte pred vložením do chladničky/mrazničky vychladnúť. Potraviny, ktoré už vychladli, zvyšujú energetickú účinnosť.
- Zmrazené potraviny nechajte rozmraziť v chladničke. Chlad mrazených potravín znižuje spotrebu energie v chladiacom priestore a tým zvyšuje energetickú účinnosť.
- Dvere otvárajte len na takú krátku dobu, ako je potrebné, aby ste minimalizovali straty chladu. Krátke otvorenie dvierok a ich správne zatvorenie znižuje spotrebu energie.
- Tesnenie dvierok vášho spotrebiča musí byť dokonale neporušené, aby sa dvierka správne zatvárali a zbytočne sa nezvyšovala spotreba energie.

POKYNY NA POUŽÍVANIE

Ovládací panel



Tlačidlo

A Tlačidlo na nastavenie teploty

Displej

1	LED1 (SUPER CHLADENIE)
2	LED2 (2 °C/NAJCHLADNEJŠIE)
3	LED3 (4 °C/CHLADNEJŠIE)
4	LED4 (8 °C/CHLADNÉ)

Displej

- Po prvom zapnutí sa úplne zobrazí na 3 sekundy a potom sa zobrazí normálne; (prvýkrát sa nastaví na úroveň 4 °C).
- Keď dôjde k chybe, zobrazí kód chyby (v režime zobrazenia cyklu). V normálnom stave sa zobrazí nastavená úroveň chladničky namiesto chybového kódu.
- Za normálnych okolností po uplynutí 15 sekúnd bez použitia tlačidiel nadobudne dané nastavenie účinkov.

Uzamknutie a odomknutie

- Stlačením a podržaním na 3 sekundy odomknete, LED indikátor bude blikať, čo znamená, že odomknutie je úspešné, a zámok sa automaticky uzamkne po 15 sekundách bez stlačenia tlačidla.

UPOZORNENIE

Skutočný ovládací panel sa medzi jednotlivými modelmi môže líšiť.

SK

Pokyny na používanie

Nastavenie rýchlosti chladenia

- Ak chcete zmeniť nastavenie teploty, raz stlačte tlačidlo SETTING.
- Nastavenie podľa úrovne na: LED4 - > LED3 - > LED2 - > LED1 - > LED4

Režim rýchleho chladenia

Spustenie režimu:

- Stlačením tlačidla regulácie teploty rozsvietite LED1.

Prevádzka režimu:

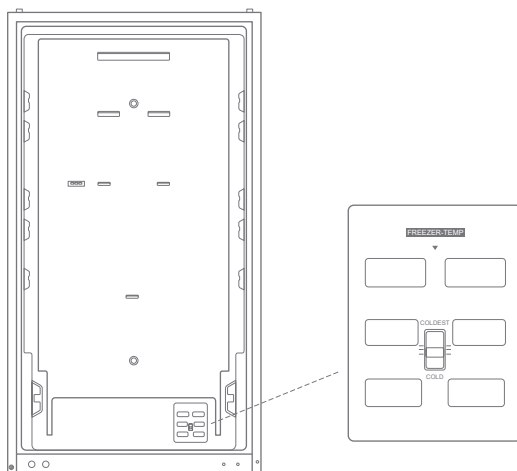
- Kompresor pracuje pri maximálnej rýchlosti v rámci aktuálnej teploty okolia.
- Ventilátor beží pri aktuálnej úrovni rýchlosti -1 (priorita je nižšia hodnota ako preťaženie).
- Chod podľa bodu spustenia-zastavenia úrovne 2 stupňov v rámci rýchleho chladenia a bez rozmrazovania počas doby rýchleho zmrazenia (s výnimkou rozmrazovania pri zapnutí napájania).
- Rozmrazovanie raz po ukončení rýchleho chladenia.

Ukončenie režimu:

- Nastavte teplotu na ukončenie režimu rýchleho chladenia.
- Proces ukončíte po 16 hodinách prevádzky v režime rýchleho chladenia.

Nastavenie lopatky vzduchového kanála

Posunutím manuálneho vzduchového regulátora nahor sa skutočná teplota vnútri mraziaceho oddelenia zníži, posunutím vzduchového regulátora nadol sa skutočná teplota vnútri mraziaceho oddelenia zvýši.



Kód chyby

- Nasledujúce výstrahy zobrazené na displeji označujú zodpovedajúce poruchy chladničky. Aj keby si chladnička s nasledujúcimi chybami zachovala chladiacu a mraziacu funkciu, používateľ by sa mal obrátiť na špecialistu údržby a požiadať o opravu, aby sa zabezpečilo normálne používanie chladničky.

Kód chyby	Popis chyby
LED1 a LED2 blikajú	Porucha teplotného snímača chladničky
LED1 a LED3 blikajú	Porucha snímača rozmrazovania mrazničky
LED1 a LED4 blikajú	Porucha snímača okolitej teploty

Tipy k uchovávaníu potravín

Mraziaci priestor



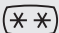

- Mraznička je určená na skladovanie potravín zmrazených pri veľmi nízkej teplote, dlhodobé skladovanie mrazených potravín a na výrobu ľadu.
- Police vo dverách mrazničky používajte iba na skladovanie mrazených potravín, nie na skladovanie teplých potravín určených na mrazenie.
- Nekladte čerstvé a mrazené potraviny vedľa seba. Mrazené potraviny sa môžu rozmraziť.
- Pri zmrazovaní čerstvých potravín (ako je mäso, ryby alebo sekané mäso) ich nakrájajte na časti, ktoré je možné použiť súčasne.
- Skladovanie mrazených potravín: na obaloch sú zvyčajne uvedené pokyny, ktoré je potrebné dodržiavať. Ak na obale nie sú žiadne informácie, potraviny by sa nemali skladovať dlhšie ako tri mesiace od dátumu nákupu.
- Pri nákupe mrazených potravín sa uistite, že boli zmrazené na vhodnú teplotu a či obal nie je poškodený.
- Zmrazené potraviny by sa mali uchovávať vo vhodných obaloch, aby sa zachovala ich kvalita a mali by sa čo najskôr vrátiť do mraziaceho priestoru.
- Ak balenie mrazených potravín vykazuje vlhkosť alebo abnormálne vydutie, je pravdepodobné, že bolo skladované pri nesprávnej teplote a obsah je pokazený.
- Doba skladovania mrazených potravín závisí od izbovej teploty, nastavenia termostatu, frekvencie otvárania dvierok mrazničky, druhu potravín a času prepravy výrobku z obchodu do domácnosti. Vždy dodržiavajte pokyny vytlačené na obale a nikdy neprekračujte maximálnu dobu skladovania uvedenú na obale.

Chladiaci priestor

- V rámci zníženia vlhkosti a následného vytvárania ľadu nikdy nekladajte tekutiny do chladničky v neutesených nádobách. Mráz má tendenciu koncentrovať sa v najchladnejších častiach výparníka. Skladovanie nezakrytých tekutín má za následok častejšiu potrebu rozmrazovania.
- Do chladničky nikdy nekladajte teplé jedlá. Tie by mali najskôr vychladnúť pri izbovej teplote a potom ich treba umiestniť tak, aby bola zabezpečená dostatočná cirkulácia vzduchu v chladničke.
- Potraviny alebo nádoby na potraviny by sa nemali dotýkať zadnej steny chladničky, pretože by mohli primrznúť k stene. Neotvárajte dvere chladničky príliš často.
- Mäso a čisté ryby (zabalené v obale alebo plastovej fólii) môžete vložiť do chladničky, spotrebujte ich do 1 až 2 dní.
- Ovocie a zeleninu bez obalu je možné umiestniť do časti určenej na čerstvé ovocie a zeleninu.

● ATTENTION

Optimálne nastavenie teploty každej priehradky závisí od teploty okolia. Vyššie uvedená optimálna teplota vychádza z teploty okolia 25 °C.

Poradie	TYP priehradky	Cieľová skladovacia tepl. [°C]	Vhodné potraviny
1	Chladnička	$+2 \leq x \leq +8$	Vajčička, varené potraviny, balené potraviny, ovocie a zelenina, mliečne výrobky, zákusky, nápoje a iné potraviny nevhodné na zmrazenie.
2	 Štvorhviezdičkové mrazenie	$x \leq -18$	S mraziacou kapacitou, rýchlou rýchlosťou mrazenia, vysokou rýchlosťou mrazenia dokáže rýchlo zmraziť a uložiť potraviny. Vhodné pre mrazené čerstvé potraviny, ako sú morské plody (ryby, krevety, mäkkýše), produkty zo sladkovodných vôd a mäsové výrobky. Odporúča sa 3 až 6 mesiacov. Čím dlhší čas skladovania, tým horšia chuť a výživa.
3	 Trojhviezdičkové mrazenie	$x \leq -18$	S mraziacou kapacitou. Vhodné pre mrazené čerstvé potraviny, ako sú morské plody (ryby, krevety, mäkkýše), produkty zo sladkovodných vôd a mäsové výrobky. Odporúča sa nie dlhšie než 3 mesiace.
4	 Dvojhviezdičkové mrazenie	$x \leq -12$	Vhodné len na strednodobé skladovanie už zmrazených potravín, napr. zmrzliny. Odporúča sa nie dlhšie než 1 mesiac.
5	 Jednohviezdičkové mrazenie	$x \leq -6$	Vhodné len na chladenie a krátkodobé skladovanie malého množstva už zmrazených potravín. Odporúča sa nie dlhšie než 1 týždeň.
6	0 hviezdíček	$-6 \leq x \leq 0$	Čerstvé bravčové, hovädzie, ryby, kuracie mäso, niektoré balené spracované potraviny atď. (odporúča sa zjesť v ten istý deň, najlepšie nie viac ako 3 dni). Čiastočne uzavreté spracované potraviny (potraviny, ktoré sa nezmrazuju).
7	Okolo nuly	$-2 \leq x \leq +3$	Čerstvé/mrazené bravčové, hovädzie, kuracie mäso, sladkovodné produkty atď. (7 dní pod 0 °C a nad 0 °C sa odporúča skonzumovať ešte v ten istý deň, najlepšie nie dlhšie ako 2 dni). Morské plody pod 0 °C na 15 dní, nie je vhodné skladovať nad 0 °C.
8	Čerstvé potraviny	$0 \leq x \leq +4$	Čerstvé bravčové, hovädzie, ryby, kuracie mäso, varené jedlo atď. (Odporúča sa jesť v ten istý deň, najlepšie nie dlhšie ako 3 dni)
9	Víno	$+5 \leq x \leq +20$	Červené víno, biele víno, šumivé víno atď.

ATTENTION

rozičné potraviny, ktoré si zakúpite, skladujte v rôznych priehradkách alebo podľa cieľovej skladovacej teploty.

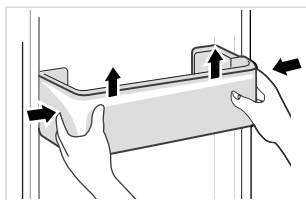
ČISTENIE A ÚDRŽBA

Odmrazovanie

- Chladnička je vyrobená na princípe chladenia vzduchom a má teda funkciu automatického odmravovania. Námrazu vytvorenú v dôsledku zmeny ročného obdobia alebo teploty je možné odstrániť aj ručne odpojením spotrebiča od napájania alebo utretím suchým uterákom.

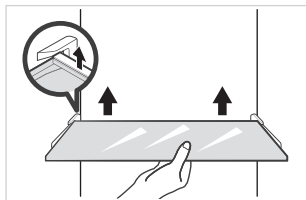
Čistenie zásobníka na dverách

- Podľa smerovej šípky na obrázku nižšie stlačte zásobník dvoma rukami a vytlačte ho smerom hore, aby sa dal vytiahnuť.
- Po umytí zásuvky môžete jej inštalačnú výšku upraviť podľa svojich požiadaviek.



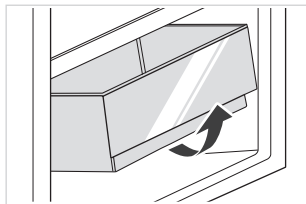
Čistenie sklenených políc

- Pretože najnútornejšia časť vložky chladničky, v ktorej je kontakt s policami, má spätný doraz, zdvihnete police smerom hore a potom ju budete môcť vybrať.
- Upravte alebo vyčistite poličky podľa svojich potrieb.



Čistenie priehradky na zeleninu

1. Vyberte obsah priehradky. Držte rukoväť priehradky na zeleninu a úplne ju vytiahnite, kým sa nezastaví.
2. Zdvihnute priehradku na zeleninu nahor a ťahom ju vyberte von.



● ATTENTION

Na čistenie sa odporúčajú mäkké uteráky alebo špongia namočená vo vode a neagresívne neutrálne čistiace prostriedky. Mraznička sa nakoniec vyčistí čistou vodou a suchou handričkou. Pred opätovným zapnutím otvorte dvere a nechajte prirodzene vyschnúť. Nepoužívajte tvrdé kefy, čistiace oceľové guľôčky, drôtené kefy, abrazívne prostriedky (napríklad zubné pasty), organické rozpúšťadlá (napríklad alkohol, acetón, banánový olej atď.), vriacu vodu, kyslé ani zásadité predmety, ktoré môžu poškodiť povrch chladničky a interiér.

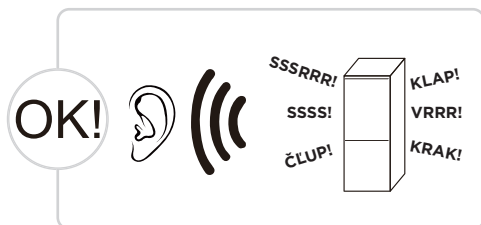
ODSTRAŇOVANIE PROBLÉMOV

Nasledujúce jednoduché problémy dokáže vyriešiť samotný používateľ. Ak sa problémy nepodarí vyriešiť, obráťte sa na oddelenie popredajných služieb.

Problém	Možná príčina
Porucha prevádzky	<ul style="list-style-type: none">• Skontrolujte, či je spotrebič pripojený k napájaniu a či má napájacia zástrčka dobrý kontakt
	<ul style="list-style-type: none">• Skontrolujte, či nie je napätie príliš nízke
	<ul style="list-style-type: none">• Skontrolujte, či nedošlo k výpadku napájania alebo či nedošlo k poruche čiastkových obvodov
Zápach	<ul style="list-style-type: none">• Zapáchajúce potraviny je potrebné v duchotesne zabaliť
	<ul style="list-style-type: none">• Skontrolujte, či sa v chladničke nenachádzajú nejaké skazené potraviny
	<ul style="list-style-type: none">• Vyčistite vnútro chladničky
Dlhodobá prevádzka kompresora	<ul style="list-style-type: none">• Dlhá prevádzka chladničky je normálna v lete, keď je okolitá teplota vysoká
	<ul style="list-style-type: none">• Neodporúča sa mať v spotrebiči súčasne príliš veľa jedla
	<ul style="list-style-type: none">• Jedlo musí byť pred vložením do spotrebiča vychladnuté
	<ul style="list-style-type: none">• Dvere sa otvárajú príliš často
Svetlá nesvietia	<ul style="list-style-type: none">• Skontrolujte, či je chladnička pripojená k zdroju napájania a či nie je poškodené osvetlenie
	<ul style="list-style-type: none">• Svetlo musí vymeniť odborník
Dvere sa nedajú správne zatvoriť	<ul style="list-style-type: none">• Dvierka sú zablokované balíkmi jedla
	<ul style="list-style-type: none">• Chladnička je naklonená.
Hlasné zvuky	<ul style="list-style-type: none">• Skontrolujte, či je podlaha vodorovná a či je chladnička umiestnená stabilne
	<ul style="list-style-type: none">• Skontrolujte, či je príslušenstvo umiestnené na správnom mieste

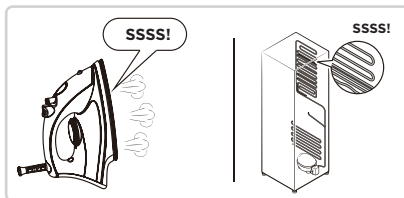
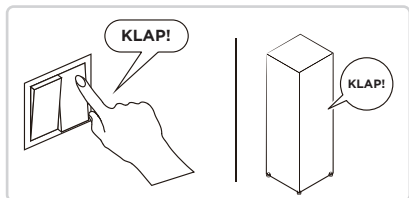
Problém	Možná příčina
Dvere netesnia	<ul style="list-style-type: none"> • Odstráňte cudzie predmety z tesnenia dverí • Zahrejte tesnenie dverí a potom ho ochladte kvôli obnove (alebo ho ofúknite elektrickým sušičom alebo na zahriatie použite horúci uterák)
Pretečenie zásobníka na vodu	<ul style="list-style-type: none"> • V komore je príliš veľa jedla alebo skladované potraviny obsahujú príliš veľa vody, čo vedie k silnému rozmrazovaniu • Dvere nie sú správne zatvorené, čo vedie k zamrznutiu v dôsledku vstupu vzduchu a zvýšeniu množstva vody v dôsledku rozmrazovania
Horúci povrch	<ul style="list-style-type: none"> • Rozptyl tepla vstavaného kondenzátora cez kryt, čo je normálne. Keď sa kryt zohreje v dôsledku vysokej okolitej teploty, nie je vhodné skladovať príliš veľa potravín, pretože kompresor sa môže vypnúť. Ulahčite rozptyl tepla vhodným vetraním
Kondenzácia na povrchu	<ul style="list-style-type: none"> • Kondenzácia na vonkajšom povrchu a tesnení dverí chladničky je normálna, keď je okolitá vlhkosť príliš vysoká. Jednoducho utrite kondenzát čistou utierkou.
Nezvyčajný hluk	<ul style="list-style-type: none"> • Bzučanie: Kompresor môže počas prevádzky vydávať bzučanie a tieto zvuky sú hlasné, najmä pri štarte alebo zastavení. Je to normálny jav. • Vrzganie: Chladivo prúdiace vo vnútri spotrebiča môže vydávať vrzkanie, čo je normálne.

Počujete nižšie uvedené abnormálne zvuky? Obvykle sú tieto zvuky normálne.



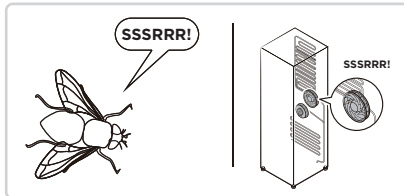
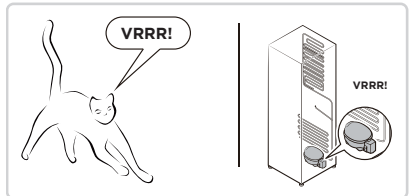
KLAP: Niektoré elektrické diely v chladničke, napríklad elektrické ventily, sa prúdi do výparníka. Je to normálny jav. takto ozývajú pri činnosti. Je to normálny jav.

SSSS: Tento zvuk spôsobuje chladivo, keď



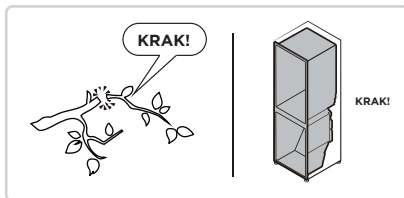
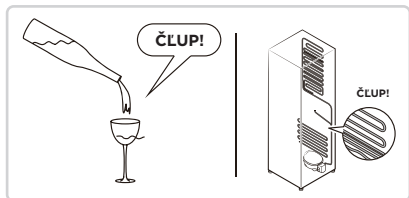
VRRR: Kompresor môže počas prevádzky vydávať tento zvuk a vrčanie je hlasné najmä pri štarte alebo zastavení. Je to normálny jav.

SSSRRR: Tento zvuk vydáva pri činnosti motor v chladničke bez odmravovania. Je to normálny jav.



ČLUP: Tento zvuk vydáva chladivo pri pretekaní cez potrubie v chladničke. Je to normálny jav.

KRAK: Praskavý zvuk alebo zvuk pukania ľadu: ozýva sa v celom telese chladničky, námraza vo vzduchových vedeniach spôsobuje pri tepelnom roztáhaní a kontrakcii takýto zvuk, tiež je to normálny jav.



SK

PRÍLOHA

Špeciálne pre novú európsku normu

V nasledujúcej tabuľke sú uvedené diely, ktoré je možné objednať prostredníctvom poskytovateľa servisu

Objednávaný diel	Poskytuje	Minimálny čas potrebný na poskytnutie
Termostaty	Profesionálny pracovník údržby	Najmenej 7 rokov po uvedení posledného modelu na trh
Snímače teploty	Profesionálny pracovník údržby	Najmenej 7 rokov po uvedení posledného modelu na trh
Dosky s plošnými spojmi	Profesionálny pracovník údržby	Najmenej 7 rokov po uvedení posledného modelu na trh
Svetelný zdroj	Profesionálny pracovník údržby	Najmenej 7 rokov po uvedení posledného modelu na trh
Rukováti dverí	Profesionálni opravári a koncoví používatelia	Najmenej 7 rokov po uvedení posledného modelu na trh
Pánty dverí	Profesionálni opravári a koncoví používatelia	Najmenej 7 rokov po uvedení posledného modelu na trh
Podnosy	Profesionálni opravári a koncoví používatelia	Najmenej 7 rokov po uvedení posledného modelu na trh
Koše	Profesionálni opravári a koncoví používatelia	Najmenej 7 rokov po uvedení posledného modelu na trh
Tesnenia dverí	Profesionálni opravári a koncoví používatelia	Najmenej 10 rokov po uvedení posledného modelu na trh

Vážení zákazníci!

1. Ak chcete výrobok vrátiť alebo vymeniť, obráťte sa na obchod, v ktorom ste ho kúpili.
(Nezabudnite priniesť doklad o zakúpení)
2. Ak sa váš výrobok pokazí a je potrebné ho opraviť, kontaktujte poskytovateľa popredajného servisu.

UPOZORNENIE

Informácie o modeli v databáze produktov a identifikátor modelu je možné získať prostredníctvom webového prepojenia naskenovaného pomocou kódu QR, ak je uvedený na štítku energetickej účinnosti výrobku.

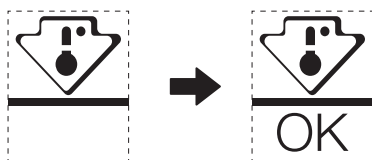
Ďalšie informácie o energetickej účinnosti spotrebiča nájdete na stránke <https://ec.europa.eu> a vyhľadajte si podrobnosti podľa názvu modelu.

Názov modelu sa nachádza na typovom štítku spotrebiča.

Najchladnejšia zóna v chladničke

VOLITELNÝ DOPLNOK: Indikátor teploty – OK

- Indikátor teploty – OK je možné použiť na určenie, či je teplota pod +4 °C. Teplotu je možné postupne znižovať, ak indikátor nezobrazuje „OK“.



- Ak chcete zaistiť teplotu v tejto oblasti, nemeňte umiestnenie police. Pre chladničky s núteným obehom vzduchu (vybavené ventilátorom alebo modely bez mrazenia) symbol najchladnejšej zóny nie je znázornený, pretože teplota vo vnútri je homogénna.

Nastavenie indikátora teploty

- V rámci dobrého nastavenia je chladnička vybavená indikátorom teploty, ktorý bude sledovať priemernú teplotu v najchladnejšej zóne.
- VÝSTRAHA:** Tento indikátor je určený len pre vašu chladničku, nepoužívajte ho v inej chladničke (v skutočnosti najchladnejšia zóna nie je rovnaká) ani na žiadne iné účely.

Overenie teploty v najchladnejšej zóne

- Vďaka indikátoru teploty môžete pravidelne kontrolovať, či je teplota v najchladnejšej zón správna. Vnútorňá teplota chladničky v skutočnosti závisí od niekoľkých faktorov, ako je teplota okolia v miestnosti, množstvo uložených potravín a frekvencia otvárania dverí. Pri nastavení spotrebiča zoberte tieto faktory do úvahy.
- Keď indikátor ukazuje «OK», znamená to, že termostat je dobre nastavený a vnútorňá teplota je správna.
- Ak sa indikátor teploty zmení na BIELY, znamená to, že teplota je príliš vysoká; v takom prípade zvýšte nastavenie ovládania teploty chladničky a počkajte 12 hodín pred vykonaním novej vizuálnej kontroly indikátora. Po vložení čerstvých potravín alebo ponechaní otvorených dvierok je možné, že sa ukazovateľ teploty po chvíli zmení na BIELY.



make yourself at home



www.midea.com

© Midea 2022 all rights reserved