



Microwave Oven

# INSTRUCTION MANUAL

MODEL:MM720CGE



Read these instructions carefully before using your microwave oven, and keep it carefully.

If you follow the instructions, your oven will provide you with many years of good service.

**SAVE THESE INSTRUCTIONS CAREFULLY**



# PRECAUTIONS TO AVOID POSSIBLE EXPOSURE TO EXCESSIVE MICROWAVE ENERGY

(a) Do not attempt to operate this oven with the door open since this can result in harmful exposure to microwave energy. It is important not to break or tamper with the safety interlocks.

(b) Do not place any object between the oven front face and the door or allow soil or cleaner residue to accumulate on sealing surfaces.

(c) WARNING: If the door or door seals are damaged, the oven must not be operated until it has been repaired by a competent person.

## ADDENDUM

If the apparatus is not maintained in a good state of cleanliness, its surface could be degraded and affect the lifespan of the apparatus and lead to a dangerous situation.

## Specifications

Model:	MM720CGE
Rated Voltage:	230-240V~ 50Hz
Rated Input Power(Microwave):	1100-1150 W
Rated Output Power(Microwave):	650-700 W
Oven Capacity:	20 L
Turntable Diameter:	Ø 255 mm
External Dimensions:	440x340x259mm
Net Weight:	Approx.11.0 kg

# **IMPORTANT SAFETY INSTRUCTIONS**

## **WARNING**

To reduce the risk of fire, electric shock, injury to persons or exposure to excessive microwave oven energy when using your appliance, follow basic precautions, including the following:

1. Warning: Liquids and other foods must not be heated in sealed containers since they are liable to explode.
2. Warning: It is hazardous for anyone other than a competent person to carry out any service or repair operation that involves the removal of a cover which gives protection against exposure to microwave energy.
3. This appliance can be used by children aged from 8 years and above and persons with reduced physical, sensory or mental capabilities or lack of experience and knowledge if they have been given supervision or instruction concerning use of the appliance in a safe way and understand the hazards involved. Children shall not play with the appliance. Cleaning and user maintenance shall not be made by children unless they are older than 8 and supervised.
4. Keep the appliance and its cord out of reach of children less than 8 years.
5. Only use utensils that are suitable for use in microwave ovens.
6. The oven should be cleaned regularly and any food deposits should be removed.
7. Read and follow the specific: "PRECAUTIONS TO AVOID POSSIBLE EXPOSURE TO EXCESSIVE MICROWAVE ENERGY".
8. When heating food in plastic or paper containers,

- keep an eye on the oven due to the possibility of ignition.
9. If smoke is emitted, switch off or unplug the appliance and keep the door closed in order to stifle any flames.
  10. Do not overcook food.
  11. Do not use the oven cavity for storage purposes. Do not store items, such as bread, cookies, etc. inside the oven.
  12. Remove wire twist-ties and metal handles from paper or plastic containers/bags before placing them in the oven.
  13. Install or locate this oven only in accordance with the installation instructions provided.
  14. Eggs in their shell and whole hard-boiled eggs should not be heated in microwave ovens since they may explode, even after microwave heating has ended.
  15. This appliance is intended to be used in household and similar applications such as:
    - staff kitchen areas in shops, offices and other working environments;
    - by clients in hotels, motels and other residential type environments;
    - farm houses;
    - bed and breakfast type environments.
  16. If the supply cord is damaged, it must be replaced by the manufacturer, its service agent or similarly qualified persons in order to avoid a hazard.
  17. Do not store or use this appliance outdoors.
  18. Do not use this oven near water, in a wet basement or near a swimming pool.
  19. The temperature of accessible surfaces may be high when the appliance is operating. The surfaces are liable to get hot during use. Keep cord away from heated

surface, and do not cover any vents on the oven.

20. Do not let cord hang over edge of table or counter.

21. Failure to maintain the oven in a clean condition could lead to deterioration of the surface that could adversely affect the life of the appliance and possibly result in a hazardous situation.

22. The contents of feeding bottles and baby food jars shall be stirred or shaken and the temperature checked before consumption, in order to avoid burns.

23. Microwave heating of beverages can result in delayed eruptive boiling, therefore care must be taken when handling the container.

24. The appliance is not intended for use by persons (including children) with reduced physical, sensory or mental capabilities, or lack of experience and knowledge, unless they have been given supervision or instruction concerning use of the appliance by a person responsible for their safety.

25. Children should be supervised to ensure that they do not play with the appliance.

26. The appliances are not intended to be operated by means of an external timer or separate remote-control system.

27. Accessible parts may become hot during use. Young children should be kept away.

28. Steam cleaner is not to be used.

29. During use the appliance becomes hot. Care should be taken to avoid touching heating elements inside the oven.

30. Only use the temperature probe recommended for this oven. (for ovens provided with a facility to use a

temperature-sensing probe.)

31. **WARNING:** The appliance and its accessible parts become hot during use. Care should be taken to avoid touching heating elements. Children less than 8 years of age shall be kept away unless continuously supervised.

32. The microwave oven must be operated with the decorative door open. (for ovens with a decorative door.)

33. The rear surface of appliance shall be placed against a wall.

34. The microwave oven must not be placed in a cabinet.

35. The microwave oven is intended for heating food and beverages. Drying of food or clothing and heating of warming pads, slippers, sponges, damp cloth and similar may lead to risk of injury, ignition or fire.

**READ CAREFULLY AND KEEP FOR FUTURE REFERENCE**

# To Reduce the Risk of Injury to Persons Grounding Installation

## **DANGER**

Electric Shock Hazard  
Touching some of the internal components can cause serious personal injury or death. Do not disassemble this appliance.

## **WARNING**

Electric Shock Hazard  
Improper use of the grounding can result in electric shock. Do not plug into an outlet until appliance is properly installed and grounded.

This appliance must be grounded. In the event of an electrical short circuit, grounding reduces the risk of electric shock by providing an escape wire for the electric current. This appliance is equipped with a cord having a grounding wire with a grounding plug. The plug must be plugged into an outlet that is properly installed and grounded.

Consult a qualified electrician or serviceman if the grounding instructions are not completely understood or if doubt exists as to whether the appliance is properly grounded. If it is necessary to use an extension cord, use only a 3-wire extension cord.

1. A short power-supply cord is provided to reduce the risks resulting from becoming entangled in or tripping over a longer cord.
2. If a long cord set or extension cord is used:
  - 1)The marked electrical rating of the cord set or extension cord should be at least as great as the electrical rating of the appliance.
  - 2)The extension cord must be a grounding-type 3-wire cord.
  - 3)The long cord should be arranged so that it will not drape over the counter top or tabletop where it can be pulled on by children or tripped over unintentionally.



# CLEANING

Be sure to unplug the appliance from the power supply.

1. Clean the cavity of the oven after using with a slightly damp cloth.
2. Clean the accessories in the usual way in soapy water.
3. The door frame and seal and neighbouring parts must be cleaned carefully with a damp cloth when they are dirty.
4. Do not use harsh abrasive cleaners or sharp metal scrapers to clean the oven door glass since they can scratch the surface, which may result in shattering of the glass.
5. Cleaning Tip---For easier cleaning of the cavity walls that the food cooked can touch: Place half a lemon in a bowl, add 300ml (1/2 pint) water and heat on 100% microwave power for 10 minutes. Wipe the oven clean using a soft, dry cloth.

# UTENSILS

## CAUTION

### Personal Injury Hazard

It is hazardous for anyone other than a competent person to carry out any service or repair operation that involves the removal of a cover which gives protection against exposure to microwave energy.

See the instructions on "Materials you can use in microwave oven or to be avoided in microwave oven."

There may be certain non-metallic utensils that are not safe to use for microwaving. If in doubt, you can test the utensil in question following the procedure below.

Utensil Test:

1. Fill a microwave-safe container with 1 cup of cold water (250ml) along with the utensil in question.
2. Cook on maximum power for 1 minute.
3. Carefully feel the utensil. If the empty utensil is warm, do not use it for microwave cooking.
4. Do not exceed 1 minute cooking time.

## Materials you can use in microwave oven

Utensils	Remarks
Aluminum foil	Shielding only. Small smooth pieces can be used to cover thin parts of meat or poultry to prevent overcooking. Arcing can occur if foil is too close to oven walls. The foil should be at least 1 inch (2.5cm) away from oven walls.
Browning dish	Follow manufacturer's instructions. The bottom of browning dish must be at least 3/16 inch (5mm) above the turntable. Incorrect usage may cause the turntable to break.
Dinnerware	Microwave-safe only. Follow manufacturer's instructions. Do not use cracked or chipped dishes.
Glass jars	Always remove lid. Use only to heat food until just warm. Most glass jars are not heat resistant and may break.
Glassware	Heat-resistant oven glassware only. Make sure there is no metallic trim. Do not use cracked or chipped dishes.
Oven cooking bags	Follow manufacturer's instructions. Do not close with metal tie. Make slits to allow steam to escape.
Paper plates and cups	Use for short-term cooking/warming only. Do not leave oven unattended while cooking.
Paper towels	Use to cover food for reheating and absorbing fat. Use with supervision for a short-term cooking only.
Parchment paper	Use as a cover to prevent splattering or a wrap for steaming.
Plastic	Microwave-safe only. Follow the manufacturer's instructions. Should be labeled "Microwave Safe". Some plastic containers soften, as the food inside gets hot. "Boiling bags" and tightly closed plastic bags should be slit, pierced or vented as directed by package.
Plastic wrap	Microwave-safe only. Use to cover food during cooking to retain moisture. Do not allow plastic wrap to touch food.
Thermometers	Microwave-safe only (meat and candy thermometers).
Wax paper	Use as a cover to prevent splattering and retain moisture.

## Materials to be avoided in microwave oven

Utensils	Remarks
Aluminum tray	May cause arcing. Transfer food into microwave-safe dish.
Food carton with metal handle	May cause arcing. Transfer food into microwave-safe dish.
Metal or metal-trimmed utensils	Metal shields the food from microwave energy. Metal trim may cause arcing.
Metal twist ties	May cause arcing and could cause a fire in the oven.
Paper bags	May cause a fire in the oven.
Plastic foam	Plastic foam may melt or contaminate the liquid inside when exposed to high temperature.
Wood	Wood will dry out when used in the microwave oven and may split or crack.

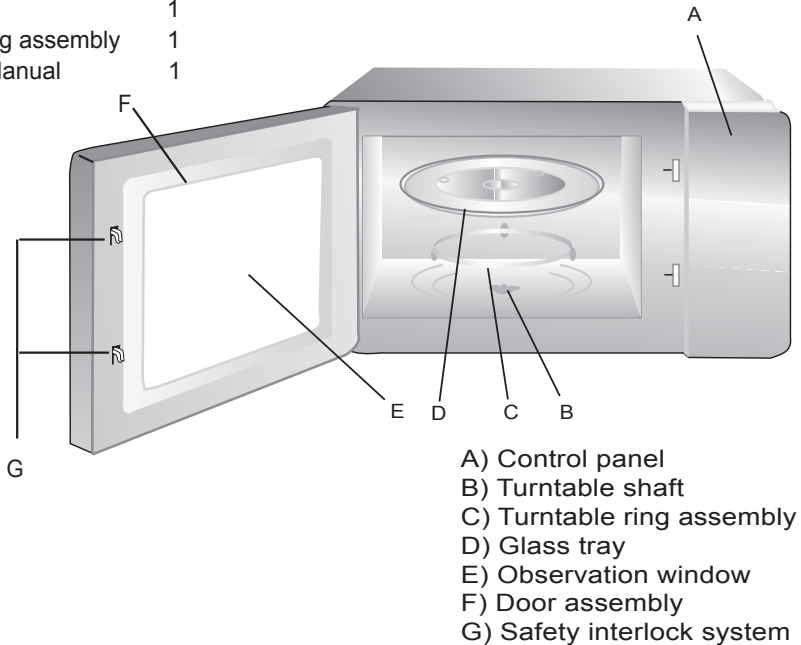
# SETTING UP YOUR OVEN

## Names of Oven Parts and Accessories

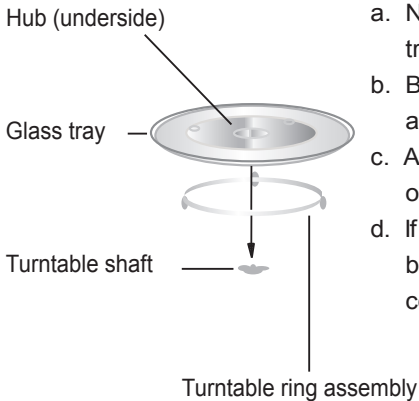
Remove the oven and all materials from the carton and oven cavity.

Your oven comes with the following accessories:

Glass tray	1
Turntable ring assembly	1
Instruction Manual	1



## Turntable Installation



- Never place the glass tray upside down. The glass tray should never be restricted.
- Both glass tray and turntable ring assembly must always be used during cooking.
- All food and containers of food are always placed on the glass tray for cooking.
- If glass tray or turntable ring assembly cracks or breaks, contact your nearest authorized service center.

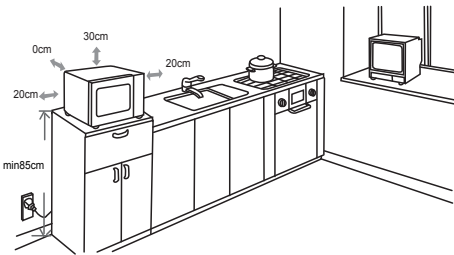
# Countertop Installation

Remove all packing material and accessories. Examine the oven for any damage such as dents or broken door. Do not install if oven is damaged.

Cabinet: Remove any protective film found on the microwave oven cabinet surface. Do not remove the light brown Mica cover that is attached to the oven cavity to protect the magnetron.

## Installation

1. Select a level surface that provide enough open space for the intake and/or outlet vents.



(1) The minimum installation height is 85cm.

(2) The rear surface of appliance shall be placed against a wall.

Leave a minimum clearance of 30cm above the oven, a minimum clearance of 20cm is required between the oven and any adjacent walls.

(3) Do not remove the legs from the bottom of the oven.

(4) Blocking the intake and/or outlet openings can damage the oven.

(5) Place the oven as far away from radios and TV as possible. Operation of microwave oven may cause interference to your radio or TV reception.

2. Plug your oven into a standard household outlet. Be sure the voltage and the frequency is the same as the voltage and the frequency on the rating label.

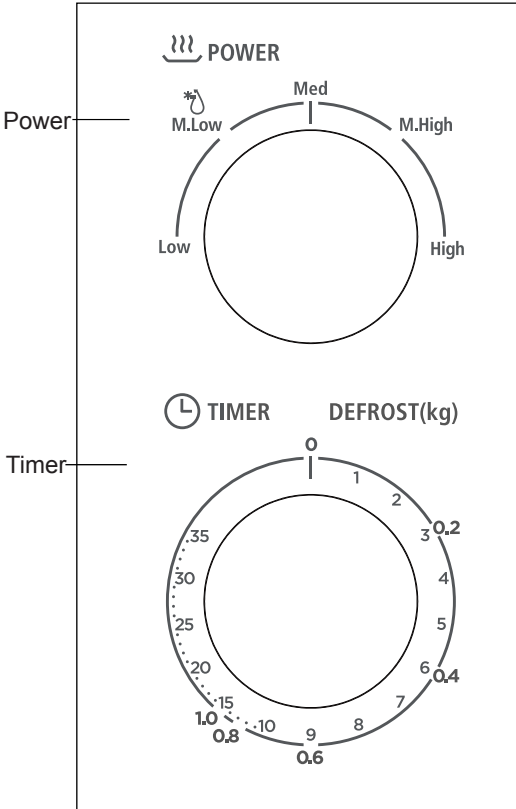
**WARNING:** Do not install oven over a range cooktop or other heat-producing appliance. If installed near or over a heat source, the oven could be damaged and the warranty would be void.

The accessible surface may be hot during operation.



# OPERATION

## Control Panel and Features Operation Instructions



1. To set cooking power by turning the power knob to desired level.
2. To set the time of cooking by turning the timer knob to desired time per your food cooking guide.
3. The microwave oven will automatically start cooking after power level and time are set.
4. After the cooking time is up, the unit will "Dong" to stop.
5. If the unit is not in use, always set time to "0".

Function/Power	Output	Application
Low	17% micro.	Soften ice cream
Med. Low (Defrost)	33% micro.	Soup stew, soften butter or defrost
Med.	55% micro.	Stew, fish
Med. High	77% micro.	Rice, fish, chicken, ground meat
High	100% micro.	Reheat, milk, boil water, vegetables, beverage

Notice: When removing food from the oven, please ensure that the oven power is switched off by turning the timer switch to 0 (zero). Failure to do so, and operating the microwave oven without food in it, can result in overheating and damage to the magnetron.

## Trouble shooting

<b>Normal</b>	
Microwave oven interfering TV reception	Radio and TV reception may be interfered when microwave oven operating. It is similar to the interference of small electrical appliances, like mixer, vacuum cleaner, and electric fan. It is normal.
Dim oven light	In low power microwave cooking, oven light may become dim. It is normal.
Steam accumulating on door, hot air out of vents	In cooking, steam may come out of food. Most will get out from vents. But some may accumulate on cool place like oven door. It is normal.
Oven started accidentally with no food in.	It is forbidden to run the unit without any food inside. It is very dangerous.

<b>Trouble</b>	<b>Possible Cause</b>	<b>Remedy</b>
Oven can not be started.	(1) Power cord not plugged in tightly.	Unplug. Then plug again after 10 seconds.
	(2) Fuse blowing or circuit breaker works.	Replace fuse or reset circuit breaker (repaired by professional personnel of our company)
	(3) Trouble with outlet.	Test outlet with other electrical appliances.
Oven does not heat.	(4) Door not closed well.	Close door well.
Glass turntable makes noise when microwave oven operates	(5) Dirty roller rest and oven bottom.	Refer to "Maintenance of Microwave" to clean dirty parts.



According to Waste of Electrical and Electronic Equipment (WEEE) directive, WEEE should be separately collected and treated. If at any time in future you need to dispose of this product please do NOT dispose of this product with household waste. Please send this product to WEEE collecting points where available.



## **Panduan Pengguna Ketuhar Gelombang Mikro**

**MODEL:MM720CGE**



Sila baca buku panduan ini dengan teliti sebelum anda menggunakan ketuhar gelombang mikro ini dan disimpan dengan baik untuk rujukan kelak.

Jika anda mematuhi arahan yang digariskan, ketuhar anda akan berfungsi dengan baik untuk tempoh yang lebih lama.

**SIMPAN BUKU PANDUAN INI DENGAN BAIK.**

## LANGKAH BERJAGA-JAGA UNTUK MENGELOKKAN KEMUNGKINAN PENDEDAHAN KEPADA TENAGA GELOMBANG MIKRO YANG BERLEBIHAN

- (a) Jangan cuba menggunakan ketuhar ini dengan pintunya terbuka kerana ia boleh menyebabkan bahaya pendedahan kepada tenaga gelombang mikro. Jangan sesekali memecahkan atau menjejaskan kunci keselamatan pada pintu ketuhar.
- (b) Jangan letakkan sebarang objek di antara bahagian depan dan pintu ketuhar atau membenarkan kotoran atau sisa bahan pencuci terkumpul pada permukaan pengedap.
- (c) AMARAN: Jangan gunakan ketuhar ini jika pintu atau pengedap pintunya sudah rosak, selagi ia tidak dibaiki oleh orang yang kompeten.

### ADENDUM

Jika perkakas ini tidak diselenggara dalam keadaan yang bersih, permukaannya mungkin menjadi buruk dan menjejaskan jangka hayat perkakas ini dan mengakibatkan keadaan yang berbahaya.

### SPESIFIKASI

Model	MM720CGE
Voltan Terkadar	230-240V~ 50Hz
Kuasa Input Terkadar (Gelombang Mikro)	1100-1150 W
Kuasa Output Terkadar (Gelombang Mikro)	650-700 W
Kapasiti Ketuhar	20 L
Diameter Meja Putar	Ø255 mm
Dimensi Luaran	440x340x259mm
Berat Bersih	Kira-kira 11.0 kg



## **ARAHAN KESELAMATAN YANG PENTING**

### **AMARAN**

Untuk mengurangkan risiko berlakunya kebakaran, kejutan elektrik, kecederaan kepada manusia atau pendedahan kepada tenaga gelombang mikro berlebihan semasa menggunakan perkakas anda, patuhilah langkah berjaga-jaga asas termasuk yang berikut:

1. Amaran: Cecair atau makanan lain tidak boleh dipanaskan di dalam bekas yang kedap kerana ia boleh meletup.
2. Amaran: Adalah berbahaya bagi sesiapa melainkan orang yang kompeten untuk menjalankan sebarang penyelenggaraan atau pembaikan yang melibatkan penanggalan penutup yang memberi perlindungan terhadap pendedahan kepada tenaga gelombang mikro.
3. Perkakas ini hanya boleh digunakan oleh kanak-kanak berumur melebihi 8 tahun dan individu yang kurang upaya dari segi fizikal, deria atau mental, atau kurang pengalaman dan pengetahuan jika mereka telah diberi pengawasan atau arahan mengenai cara-cara penggunaan perkakas ini secara selamat dan memahami tentang bahaya yang mungkin terlibat. Kanak-kanak tidak dibenarkan memperlakukan perkakas ini. Kerja pembersihan dan penyelenggaraan tidak harus dilakukan oleh kanak-kanak melainkan mereka berumur melebihi 8 tahun dan di bawah pengawasan.
4. Simpan perkakas ini dan kordnya di tempat yang tidak dapat dicapai oleh kanak-kanak yang berumur tidak melebihi 8 tahun.
5. Jangan gunakan alat yang sesuai dalam ketuhar gelombang mikro.
6. Ketuhar ini hendaklah dibersihkan secara berkala dan sebarang longgokan makanan hendaklah dibuang.
7. Baca dan patuhi “LANGKAH BERJAGA-JAGA UNTUK MENGELAKKAN KEMUNGKINAN PENDEDAHAN KEPADA TENAGA GELOMBANG MIKRO YANG BERLEBIHAN”.
8. Ketika memanaskan makanan dalam bekas plastik atau kertas, sentiasa awasi ketuhar kerana ia mungkin mengakibatkan penyalaan.
9. Jika terdapat asap keluar dari ketuhar, matikan suis atau cabutkan palam perkakas dan biarkan pintu tertutup untuk menyekat nyalaan api.
10. Jangan memasak makanan terlalu lama.
11. Jangan gunakan rongga ketuhar untuk tujuan penyimpanan. Jangan simpan bahan seperti roti, biskut dan sebagainya di dalam ketuhar.
12. Tanggalkan wayar ikatan berpintal atau pemegang logam pada bekas/beg kertas atau plastic sebelum ia diletakkan di dalam ketuhar.
13. Pasang atau tempatkan ketuhar ini mengikut arahan pemasangan yang diberikan.
14. Telur dalam cengkerang atau telur rebus tidak boleh dipanaskan di dalam ketuhar gelombang mikro kerana ia mungkin meletup walaupun selepas tamatnya proses pemanasan dengan gelombang mikro.
15. Unit ini direka untuk kegunaan di rumah dan penggunaan yang serupa seperti:
  - kawasan dapur warga kerja di kedai, pejabat dan tempat kerja yang lain;
  - oleh pelanggan yang tinggal di hotel, motel atau tempat tinggal yang lain;
  - Rumah ladang;
  - Tempat menyediakan sarapan dan katil
16. Jika kord bekalnya sudah rosak, ia mesti digantikan oleh pengeluar, agen perkhidmatan atau orang yang berkelayakan yang seumpamanya bagi mengelakkan bahaya.
17. Jangan simpan atau gunakan perkakas ini di luar rumah.
18. Jangan gunakan perkakas ini berdekatan dengan air, di tingkat bawah tanah yang basah atau berdekatan kolam renang.

19. Suhu pada permukaan yang boleh dicapai mungkin tinggi semasa perkakas ini digunakan. Jauhkan kordnya dari permukaan panas dan jangan tutup mana-mana bukaan pada ketuhar.
20. Jangan biarkan kord tersangkut di penjuru meja atau kaunter.
21. Kegagalan mengekalkan ketuhar ini dalam keadaan bersih boleh menyebabkan permukaannya menjadi buruk dan seterusnya mempengaruhi jangka hayat perkakas ini dan mungkin menyebabkan keadaan berbahaya.
22. Kandungan dalam botol susu dan balang makanan bayi hendaklah dikacau atau digoncang dan sentiasa diperiksa suhunya sebelum dimakan bagi mengelakkan kelecuman.
23. Minuman yang dipanaskan dengan gelombang mikro boleh menyebabkan letusan didihan tertunda, oleh itu, sentiasa berjaga-jaga semasa mengendalikan bekasnya.
24. Perkakas ini tidak disyorkan untuk digunakan oleh orang (termasuk kanak-kanak) yang kurang upaya dari segi fizikal, deria atau mental, atau kurang pengalaman dan pengetahuan melainkan mereka telah diberi pengawasan atau arahan mengenai cara penggunaan perkakas ini oleh orang yang bertanggungjawab ke atas keselamatan mereka.
25. Kanak-kanak harus diawasi bagi memastikan mereka tidak mempermainkan perkakas ini.
26. Perkakas ini bukan bertujuan untuk dikendalikan dengan pemasa luaran atau sistem kawalan jauh yang berasingan.
27. Pencuci stim tidak boleh digunakan.
28. Hanya gunakan suhu pengesan yang disyorkan untuk ketuhar ini (untuk ketuhar yang dilengkapi dengan kemudahan untuk menggunakan alat pengesan suhu). **AMARAN:** Perkakas ini dan bahagian yang boleh dicapai akan menjadi panas semasa ia digunakan. Berhati-hati supaya tidak menyentuh elemen pemanasan. Kanak-kanak yang berusia tidak melebihi 8 tahun hendaklah dijauhkan melainkan pengawasan secara berterusan diberikan.
29. **AMARAN:** Perkakas ini dan bahagian yang boleh dicapai akan menjadi panas semasa ia digunakan. Berhati-hati supaya tidak menyentuh elemen pemanasan. Kanak-kanak yang berusia tidak melebihi 8 tahun hendaklah dijauhkan melainkan pengawasan secara berterusan diberikan.
30. Ketuhar gelombang mikro mesti dikendali dengan pintu hiasan dibuka (untuk ketuhar yang mempunyai pintu hiasan).
31. Permukaan bahagian belakang perkakas ini diletakkan menghadap dinding.
32. Ketuhar gelombang mikro tidak boleh diletakkan di dalam kabinet melainkan ia telah diuji dalam kabinet.

## **BACA DENGAN TELITI DAN DISIMPAN DENGAN BAIK UNTUK RUJUKAN KELAK.**

### **Mengurangkan Risiko Kecederaan Kepada Orang Pemasangan pbumian**

#### **BAHAYA**

Bahaya kejutan elektrik

Tersentuh sesetengah komponen dalaman boleh menyebabkan kecederaan peribadi yang serius atau kematian. Jangan merungkai perkakas ini.

#### **AMARAN**

Bahaya kejutan elektrik

Pembumian yang tidak sempurna boleh menyebabkan kejutan elektrik. Jangan masukkan palam ke dalam alur keluar sehingga perkakas ini dipasang dan dibumikan dengan sempurna.

Perkakas ini mestilah dibumikan. Jika berlakunya litar pintas, pbumian akan mengurangkan risiko kejutan elektrik dengan menyediakan wayar pelepas untuk arus elektrik. Perkakas ini dilengkapi dengan kord yang mempunyai wayar membumi dengan palam membumi. Palam ini mesti dimasukkan ke alur keluar yang telah dipasang dan dibumikan dengan sempurna.

Berunding dengan juruelektik atau orang yang menyediakan perkhidmatan jika tidak dapat memahami arahan pbumian dengan sepenuhnya, atau timbul keraguan sama ada perkakas telah dibumikan dengan sempurna atau tidak. Jika perlu menggunakan kord pemanjangan, hanya gunakan kord pemanjangan 3 wayar.

1. Kord kuasa pendek disediakan untuk mengurangkan risiko wayar berpintal atau tersandung pada kord panjang.
2. Jika set kord panjang atau kord pemanjangan digunakan:
  - I. Kadaran elektrik bertanda pada set kord atau kord pemanjangan hendaklah sekurang-kurangnya sama dengan kadaran elektrik perkakas ini.
  - II. Kord pemanjangan mestilah jenis kord 3 wayar yang dibumikan.
  - III. Kord yang panjang mesti disusun kemas supaya ia tidak tergantung di atas kaunter atau meja di mana ia mungkin boleh ditarik oleh kanak-kanak atau tersandung secara tidak sengaja.

## **PEMBERSIHAN**

Pastikan palam telah dicabut dari bekalan kuasa.

1. Bersihkan rongga ketuhar selepas penggunaan dengan kain yang sedikit basah.
2. Bersihkan aksesori menggunakan air sabun seperti biasa.
3. Bingkai pintu dan pengedap serta bahagian-bahagian lain yang berdekatan mesti dibersihkan dengan teliti dengan kain basah jika kotor.
4. Jangan gunakan pencuci lelas atau pengikis logam yang tajam untuk membersihkan pintu kaca ketuhar kerana ia akan mencalarkan permukaan dan mungkin menyebabkan kaca pecah.
5. Petua pembersihan – Untuk memudahkan kerja pembersihan dinding rongga yang mungkin bersentuhan dengan makanan yang dimasak:
  - Masukkan setengah biji lemon dalam satu mangkuk, tambahkan 300 ml (1/2gelas) air dan panaskan pada 100% kuasa gelombang mikro selama 10 minit. Lap ketuhar sehingga bersih dengan kain yang lembut dan kering.

## **ALATAN AWAS**

Bahaya kecederaan peribadi

Adalah berbahaya untuk sesiapa melainkan orang yang kompeten untuk menjalankan sebarang penyelenggaraan atau pembaikan yang melibatkan penanggalan penutup yang memberikan perlindungan terhadap pendedahan kepada tenaga gelombang mikro.

Sila rujuk arah “Bahan yang boleh digunakan dalam ketuhar gelombang mikro atau yang perlu dielakkan dalam ketuhar gelombang mikro”. Mungkin terdapat alatan bukan logam yang tidak selamat digunakan dalam ketuhar gelombang mikro. Jika anda berasa ragu-ragu, anda boleh menguji alatan yang diragui itu mengikut prosedur berikut.

Ujian Alatan:

1. Isikan bekas tahan gelombang mikro dengan secawan air sejuk (250ml) bersama alatan yang diragui.
2. Masak dengan kuasa maksimum selama 1 minit.
3. Sentuh alatan dengan berhati-hati. Jika alatan kosong itu panas, jangan digunakan untuk memasak dengan gelombang mikro.
4. Jangan memasak melebihi 1 minit.

## Bahan yang boleh digunakan dalam ketuhar gelombang mikro

Alatan	Catatan
Kerajang aluminium	Sebagai pelindung sahaja. Helaian kecil yang rata boleh digunakan untuk menutup bahagian daging atau ayam itik yang nipis bagi mengelakkan terlebih masak. Pengarkaan boleh terjadi jika kerajang terlalu rapat dengan dinding ketuhar. Kerajang hendaklah dijarakkan sekurang-kurangnya 1 inci (2.5cm) dari dinding ketuhar.
Pinggan perang	Patuhi arahan pengeluar. Bahagian bawah pinggan perang mestilah sekurang-kurangnya 3/16 inci (5mm) di atas meja putar. Penggunaan yang salah mungkin menyebabkan meja putar pecah.
Perkakas hidangan	Tahan gelombang mikro sahaja. Patuhi arahan pengeluar. Jangan gunakan pinggan yang retak atau sumbing.
Balang kaca	Sentiasa tanggalkan penutupnya. Hanya gunakan untuk memanaskan makanan hingga suam. Kebanyakan balang kaca tidak tahan panas dan mungkin pecah.
Perkakas kaca	Perkakas kaca ketuhar tahan panas sahaja. Pastikan tiada kelim logam. Jangan gunakan pinggan yang retak atau sumbing.
Beg memasak ketuhar	Patuhi arahan pengeluar. Jangan tutup dengan pengikat logam. Buat torehan untuk membenarkan stim keluar.
Pinggan dan cawan kertas	Digunakan untuk memasak/memanas dalam jangka pendek sahaja. Jangan tinggalkan ketuhar tanpa pengawasan semasa memasak.
Tuala kertas	Digunakan untuk menutup makanan bagi memanaskan semula makanan atau menyerap lemak. Digunakan dengan pengawasan untuk memasak dalam jangka pendek sahaja.
Kertas kulit	Digunakan sebagai penutup untuk mengelakan percikan atau sebagai pembalut untuk mengukus makanan.
Plastik	Tahan gelombang mikro sahaja. Patuhi arahan pengeluar. Mesti berlabel "Tahan Gelombang Mikro". Sesetengah bekas plastik akan menjadi lembut apabila makanan di dalamnya menjadi panas. "Beg didih" dan beg plastik yang ditutup ketat mesti ditoreh, dicucuk atau dilubangkan seperti yang diarahkan pada bungkusannya.
Pembalut plastik	Tahan gelombang mikro sahaja. Digunakan untuk menutup makanan semasa memasak untuk mengekalkan kelembapan. Jangan benarkan pembalut plastik daripada bersentuhan dengan makanan.
Termometer	Tahan gelombang mikro sahaja (termometer daging dan gula)
Kertas lilin	Digunakan sebagai penutup untuk mengelakkan percikan dan mengekalkan kelembapan.

## Bahan yang perlu dielakkan dalam ketuhar gelombang mikro

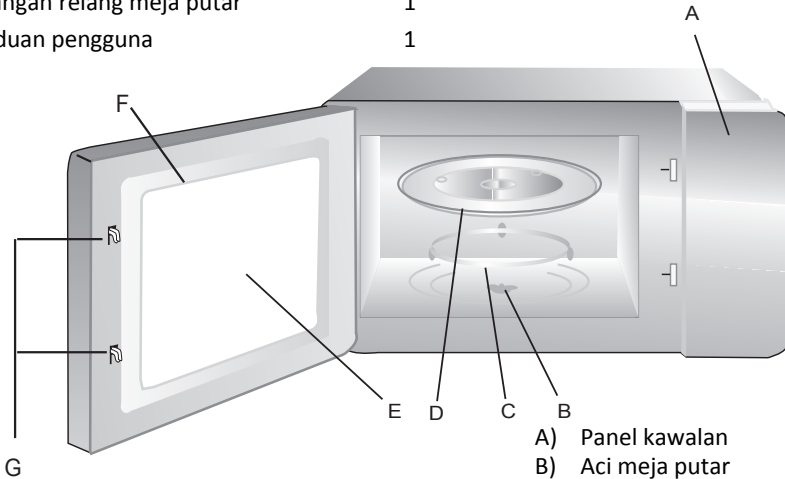
Alatan	Catatan
Dulang aluminium	Boleh menyebabkan pengarkaan. Pindahkan makanan ke dalam pinggan tahan gelombang mikro.
Kotak makanan dengan pemegang logam	Boleh menyebabkan pengarkaan. Pindahkan makanan ke dalam pinggan tahan gelombang mikro.
Alatan logam atau dengan kelim logam	Logam akan menghalang makanan daripada tenaga gelombang mikro. Kelim logam boleh menyebabkan pengarkaan.
Pengikat pintal logam	Boleh menyebabkan pengarkaan dan boleh menyebabkan kebakaran di dalam ketuhar.
Beg kertas	Boleh menyebabkan kebakaran di dalam ketuhar.
Busa plastik	Busa plastik mungkin cair atau mencemarkan cecair di dalamnya apabila terdedah kepada suhu tinggi.
Kayu	Kayu akan mengering apabila digunakan di dalam ketuhar gelombang mikro dan boleh terbelah atau retak.

## MEMASANGKAN KETUHAR ANDA

### Nama bahagian-bahagian ketuhar dan aksesori

Keluarkan ketuhar dan semua barang lain dari kotak dan rongga ketuhar. Ketuhar anda didatangkan bersama aksesori berikut:

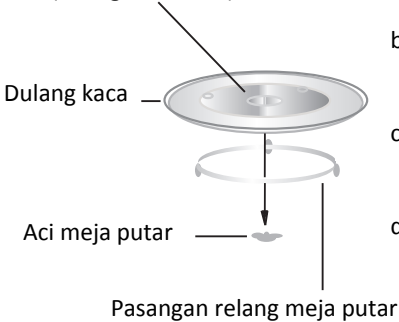
Dulang kaca	1
Pasangan relang meja putar	1
Panduan pengguna	1



- A) Panel kawalan
- B) Aci meja putar
- C) Pasangan relang meja putar
- D) Dulang kaca
- E) Tingkap pemerhatian
- F) Pasangan pintu
- G) Sistem kunci keselamatan

### PEMASANGAN MEJA PUTAR

Hab (bahagian bawah)



- a. Jangan sekali-kali letakkan dulang kaca secara terbalik. Dulang kaca juga tidak boleh tersekat.
- b. Kedua-dua dulang kaca dan pasangan relang meja putar mesti sentiasa digunakan semasa memasak.
- c. Semua makanan dan bekas makanan hendaklah sentiasa diletakkan di atas dulang kaca semasa memasak.
- d. Jika dulang kaca atau pasangan relang meja putar retak atau pecah, hubungi pusat perkhidmatan terdekat yang diberi kuasa.

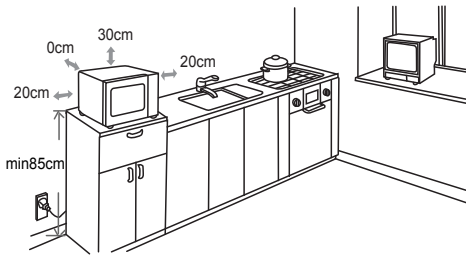
## PEMASANGAN PERMUKAAN MEJA DAPUR (COUNTERTOP)

Tanggalkan semua bahan pembungkusan dan aksesori. Periksa ketuhar sama ada terdapat apa-apa kerosakan seperti pintu kemik atau pecah. Jangan dipasang jika ketuhar sudah rosak.

Kabinet: Tanggalkan sebarang lapisan pelindung pada permukaan kabinet ketuhar gelombang mikro. Jangan tanggalkan penutup mika berwarna perang muda yang terlekat pada rongga ketuhar yang berfungsi untuk melindungi magnetron.

## PEMASANGAN

1. Pilih permukaan rata dengan ruang terbuka yang mencukupi untuk bukaan pengalir masuk dan/atau keluar.

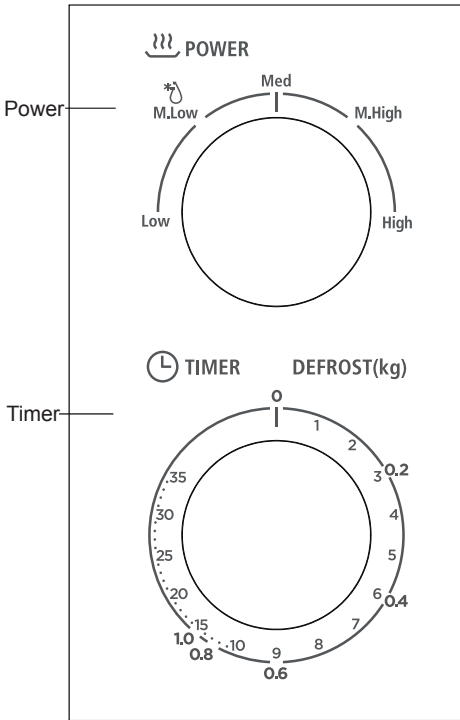


2. Dipasang pada ketinggian sekurang-kurang 85cm dari lantai.
  - I. Permukaan bahagian belakang perkakas diletakkan menghadap dinding. Bahagian atas ketuhar hendaklah ditinggalkan ruang lapang minimum 30 cm, ruang lapang antara ketuhar dengan dinding yang bersebelahan sekurang-kurangnya 20 cm.
  - II. Jangan tanggalkan kaki dari bahagian bawah ketuhar.
  - III. Ketuhar akan menjadi rosak jika bukaan pengalir masuk dan/atau keluar terhalang.
  - IV. Jauhkan ketuhar dari radio dan TV kerana pengendalian ketuhar gelombang mikro mungkin menyebabkan siaran radio atau TV anda terganggu.
3. Pasang palam ketuhar anda pada alur keluar rumahtangga yang standard. Pastikan voltan dan frekuensinya adalah sama seperti voltan dan frekuensi pada label kadaran.

**AMARAN:** Jangan pasang ketuhar berdekatan dengan dapur masak atau perkakas lain yang menghasilkan haba. Jika dipasangkan berdekatan dengan sumber haba, ketuhar mungkin akan rosak dan jaminan tidak akan diberikan ke atas kerosakan sedemikian.



**Panel kawalan dan ciri-cirinya**  
**Arahan pengendalian**



1. Tetapkan kuasa memasak dengan memutar tombol kuasa kepada tahap kuasa yang dikehendaki.
2. Tetapkan masa memasak dengan memutar tombol pemasa kepada masa yang dikehendaki seperti dinyatakan pada panduan memasak anda.
3. Ketuhar gelombang mikro akan mula memasak secara automatik setelah tahap kuasa dan masa ditetapkan.
4. Apabila tamatnya masa memasak, unit ini akan berbunyi "Dong" dan berhenti.
5. Sentiasa tetapkan masa pada "0" jika unit ini tidak digunakan.
6. Untuk menyahfros, putarkan tombol kuasa kepada rendah, tombol pemasa pula berfungsi sebagai tombol berat untuk menetapkan berat makanan yang perlu dinyahfros seperti 0.2 > 0.4 > 0.6 > 0.8 > 1.0 (kg).

Fungsi / Kuasa	Output	Penggunaan
Rendah	17% gelombang mikro	Melembutkan aiskrim
Sederhana rendah (nyahfros)	33% gelombang mikro	Mereneh sup, melembutkan mentega atau menyahfros
Sederhana	55% gelombang mikro	Stew, ikan
Sederhana tinggi	77% gelombang mikro	Nasi, ikan, ayam, daging cincang
Tinggi	100% gelombang mikro	Pemanasan semula, susu, menjerang air, sayur-sayuran, minuman

**Perhatian:** Apabila keluarkan makanan dari ketuhar, sila pastikan kuasa ketuhar sudah dipadamkan dengan memutar suis pemasa kepada 0 (kosong). Gagal berbuat demikian dan mengendalikan ketuhar gelombang mikro tanpa makanan di dalamnya boleh menyebabkan terlampau panas dan kerosakkan pada magnetron.

## PENYELESAIAN MASALAH

<b>Normal</b>	
Ketuhar gelombang mikro mengganggu siaran TV.	Siaran radio atau TV mungkin terganggu apabila ketuhar gelombang mikro digunakan. Gangguan ini serupa dengan gangguan dari perkakas elektrik kecil seperti pengadun, penyedut hampagas dan kipas elektrik. Gejala ini adalah normal.
Lampu ketuhar menjadi malap.	Semasa memasak menggunakan gelombang mikro dengan kuasa rendah, lampu ketuhar mungkin menjadi malap. Gejala ini adalah normal.
Wap terkumpul pada pintu dan udara panas mengalir keluar dari bukaan pada ketuhar.	Semasa memasak, wap mungkin dibebaskan dari makanan. Kebanyakan wap akan keluar melalui bukaan. Tetapi sesetengah wap mungkin terkumpul di tempat sejuk seperti pintu ketuhar. Gejala ini adalah normal.
Ketuhar dihidupkan secara tidak sengaja dengan tiada makanan di dalamnya	Jangan sesekali hidupkan unit ini dengan tiada makanan di dalamnya. Kejadian ini adalah amat berbahaya.

<b>Masalah</b>	<b>Sebab-sebab yang mungkin</b>	<b>Penyelesaian</b>
Ketuhar tidak dapat dihidupkan	(1) Kord kuasa tidak dimasukkan dengan ketat.	Cabut palam. Kemudian masukkan semula selepas 10 saat.
	(2) Fius meletup atau litar terputus.	Gantikan fius atau mengeset semula pemutus litar (dibaiki oleh pekerja profesional dari syarikat kami)
	(3) Ada masalah dengan alur keluar.	Uji alur keluar dengan perkakas elektrik lain
Ketuhar tidak menjadi panas	(4) Pintu tidak ditutup dengan baik.	Tutup pintu dengan baik
Meja putar kaca mengeluarkan bunyi bising apabila ketuhar gelombang mikro dihidupkan	(5) Tempat letak roda dan bahagian bawah ketuhar sudah kotor.	Rujuk kepada "Penyelenggaraan Ketuhar" untuk membersihkan bahagian yang kotor.



**Mengikut arahan Peralatan Elektrik dan Elektronik Buangan (WEEE), WEEE hendaklah dikumpulkan dan dirawat secara berasingan. Jika anda ingin melupuskan produk ini pada masa hadapan, jangan lupuskan bersama sisa isi rumah yang lain. Sila hantarkan produk ini ke tempat pengumpulan WEEE yang sedia ada.**



**型號：MM720CGE**  
**微波爐使用說明書**



在使用本微波爐之前請您仔細閱讀此說明書，並請妥善保存。  
如果您按照本說明書使用微波爐，它會為您提供多年的良好服務。

**請小心保存好此使用說明書。**

## 避免可能暴露在過量微波能量下的預防措施：

- (a) 不要企圖在打開爐門狀態下運行該微波爐，因為開門運行將會導致在微波能量下的有害暴露。切記不要使安全聯鎖失效或亂弄安全聯鎖。
- (b) 不要在微波爐正面和爐門之間放置任何物體，或任污物或清潔劑殘餘物聚集在密封面上。
- (c) 如果微波爐已損壞，請不要使用。除合格的維修人員之外，任何人不得調節或修理微波爐。

## 產品規格

型號：	MM720CGE
額定電壓：	230-240V~ 50Hz
微波輸入功率：	1100-1150 W
微波輸出功率：	650-700 W
爐腔容量：	20 L
轉盤直徑：	Ø 255 mm
微波爐尺寸：	440x340x259mm
淨重：	約11.0kg

## 重要的安全說明和警告

1. 警告：請不要把液體和其它食物放在密閉的容器中加熱，否則可能引發爆炸。
2. 該器具僅僅由合格的維修技術人員維修。檢查、修理或調節本微波爐時，請聯系客戶服務中心。
3. 警告：祇有當孩童已獲得正確使用的指導，能夠正確使用並理解使用不當可能造成危害的情況下，才能在無大人監督下單獨使用微波爐。
4. 正如其它各種電器一樣，當由孩童操作本微波爐時，必須有大人從旁指導使用。
5. 祇使用微波爐可用容器。
6. 爐子要經常清洗，任何食物殘留都要清理掉。
7. 在使用器具之前閱讀全部使用指南。
8. 在塑料或在紙質容器中加熱食物時，要留孔以避免可有引起着火。
9. 如觀察到有烟時，斷電，關閉爐門，以熄滅火焰。
10. 烹調食物的時間不可過久。在微波爐內烹調食物時，如果食物采用紙張、塑料、或其他的易燃性材料以易于烹時，必須小心操作。
11. 不得在微波爐內存放物品。不要在微波爐內存貯易燃物品，比如面包、小甜點、紙品等。如果雷電擊中電源綫，微波爐可能自行開啓。
12. 在將紙質或塑料質地的食物容器（或包裝袋）放置入微波爐內腔之前，需先將包裝打結帶和金屬物柄取下。
13. 安裝或擺放該微小組爐時，必須遵照安裝說明的步驟嚴格執行。
14. 有些產品，比如：未剝殼的類、摻有油或脂肪的水、密封的容器和封閉玻璃罐等，可能會在微波爐內引起爆炸，因此不能在微波爐內加熱這些物品。
15. 使用本微波爐時，祇能按照操作手冊上規定的用途進行使用。不得在本微波爐之內使用任何具有腐蝕性化學制劑或蒸汽。本微波爐專為加熱或烹調食物面設計。它不可以用做工業用途或實驗室操作。
16. 如果微波爐的電源綫或電源插頭損壞時，不得使用本微波爐。微波爐發生故障、機體受損或跌落地下後，也不得使用。
17. 請不要在戶外存貯或使用器具。
18. 請不要接近水源，或接近洗碗槽，或在濕地下室之內或接近游泳池使用微波爐。
19. 當爐子運行時，可接近表面的濁度可能很高。保證電源綫遠離受熱的表面，並不能覆蓋爐子的任何通風口。
20. 請不要讓電源綫懸在桌子或臺面的邊緣。
21. 不保持爐子清潔可能導致表面破損，可能影響使用壽命，可能造成危害。
22. 在微波爐內加熱嬰兒奶瓶或嬰兒食品罐時，要在使用前攪拌或搖動，並試試溫度合不合適以避免燒傷。
23. 為了防止熱液體和飲料的滯後暴沸或燙傷人體，在放置容器之前請攪動液體並且在烹調期間再一次攪動。讓容器在微波爐內放置一小段時間並且在拿走容器之前再一次攪動。

24. 如果無人監督他們以保證安全，微波爐不要讓孩童、行動不靈活的人、感官和神經有缺陷的人，或缺乏經驗的人使用。
25. 孩童應被監督以確保他們不玩弄爐子。
26. 除非特別指出可以放在廚櫃裏，否則不要把微波爐放在廚櫃裏使用。
27. 爐子不能使用其它計時器或遙控系列進行操作。
28. 爐子背面需靠牆放置。

## 接地安裝指引

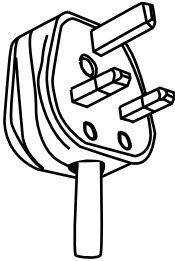
### 危險

觸電危險 觸及一些微波爐各部元件可導致嚴重的人身傷害或死亡。請不要拆卸該微波爐。

### 警告

觸電危險

接地不當可導致觸電。在微波爐正確安裝和接地之前，不要把電源插頭插入插座。



正確分極和接地插座

該器具必須接地處理。如果電源短路，接地裝置提供了電流逃逸的線路從而減少了觸電的危險。該器具安裝帶有接地插頭的接地導線。電源插頭必須插入正確安裝和接地的電源插座。如果不完全明白接地指引或對器具是否正確地接地存在疑惑，請諮詢合格的電工或維修人員。如果必須使用延長電纜，僅使用有3腳接地電源插頭的3線延長電源纜和配合器具插頭的3孔插孔。

1. 使用較短電源纜以減少由較長的電纜造成纏住或絆倒的危險。
2. 如果使用長電纜配件或延長電纜，請遵循以下指引：
  - 1) 電纜配件或延長電纜的標記額定電功率應該至少和器具的額定電功率相同。
  - 2) 延長電纜必須是一接地型3線電纜。
  - 3) 比較長的電纜應該放好，避免懸掛在臺面或桌面上，以防止孩童無意的拉動或被絆倒。

## 微波爐用具的選擇

### 警告

#### 人身傷害危險

緊閉密封的器皿可能會引起爆炸。在烹飪之前必須打開密閉容器，塑料小袋必須穿孔。

關於“在微波爐之內可使用的材料或在微波爐之內避免使用的材料”的進一步指南見以下詳細描述。可能存在一些在微波下使用不安全的某些非金屬器皿。如果有疑慮，您可遵循以下步驟試驗可疑器皿。

#### 器皿試驗：

1. 用一可在微波爐內安全使用的容器裝滿一杯冷水（約為250ml），與可疑器皿放在一起加熱。
2. 使用最大功率加熱一分鐘。
3. 仔細地觀察器皿。如果該器皿變熱，不要使用它來進行微波烹飪。
4. 加熱時間不要超過一分鐘。

#### 可在微波爐之內使用的器具材料

器具種類	使用說明
鋁箔	僅作包裹用。小而光潤的鋁箔可用于包裹薄肉或家禽以防止過分烹調。如果鋁箔太靠近爐壁可發生電弧。鋁箔應該至少遠離爐壁一英寸（2.5cm）。
褐色盤子	遵循制造商指南。褐色盤子的底部必須在轉盤之上至少3 / 16英寸（5mm）。不正確使用可能導致轉盤損壞。
餐具	僅使用對微波安全的餐具。遵循制造商指南。不要使用裂縫或碎裂的盤子。
玻璃罐	烹調時必須去掉蓋子。僅在為使食物變得溫熱而對食物進行加熱的情況下使用。大多數玻璃罐是非耐熱的，並且可能導致損壞。
玻璃器皿	僅使用微波爐用耐熱玻璃器皿。必須確定該玻璃器皿無金屬邊飾。不要使用有裂縫或已碎裂的盤子。
微波爐用烹調袋	遵循制造商指南。不要用金屬件捆綁烹調袋。要確保留有縫隙排放蒸汽。
紙盤和紙杯	僅在短時間烹調或熱時使用。在烹調過程中，不要讓微波爐處於無人照看狀態下。
紙巾（吸油性材質）	使用紙巾覆蓋食物用于翻熱和吸收油脂。僅在短時間烹調時使用，而且必須有人在旁照看。
防水質地的紙	作為防濺覆蓋使用或用于遮蔽蒸汽。
塑料	僅使用對微波安全的器具。遵循制造商指引。應該使用有“對微波安全”標識的器具。某些塑料容器，當在其內的食物變熱時，會軟化。 “沸騰袋”和緊密封閉的塑料袋應該根據包裝開縫、穿孔。
保鮮膜	僅使用對微波安全的材質。用于在烹飪期間覆蓋食物以保留水份。不要讓塑料包裹觸及食物。
溫度計	僅使用對微波安全的溫度計。
蠟紙	用作覆蓋以防止液體飛濺和留住水份。

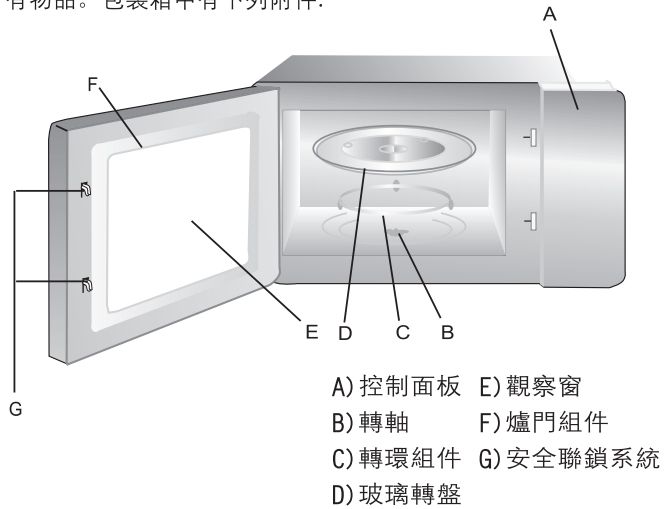
在微波爐內應避免使用的材料

器具種類	使用說明
鋁托盤	可能會導致電弧。
帶金屬手柄的食物盒	可能會導致電弧。
金屬或金屬邊飾器皿	金屬會遮擋食物使之不受微波能作用。金屬邊飾可能會導致電弧。
金屬捆綁物	可能導致電弧並且可能導致着火。
紙袋	可能導致微波爐着火。
泡沫塑料	當暴露於高溫時，泡沫塑料可能會熔化或污染液體。
木器	當在微波爐內使用木器時，木器將變乾並且可能斷開或碎裂。

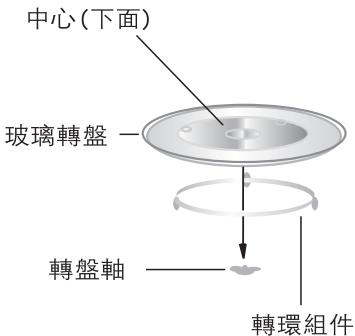
## 微波爐的正確安裝

從包裝箱中取出微波爐和所有物品。包裝箱中有下列附件：

- 玻璃轉盤 1個
- 轉環組件 1個
- 使用說明書 1本



## 轉盤安裝指引



- a. 不可將玻璃轉盤倒置。不可擠壓玻璃轉盤
- b. 在烹調期間必須始終使用玻璃轉盤和轉環組件。
- c. 所有食物和盛裝食物的容器都必須放在玻璃轉盤上進行烹調。
- d. 如果玻璃轉盤或轉環組件出現裂縫或已損壞，請聯系客戶服務中心。



## 微波爐安裝指引

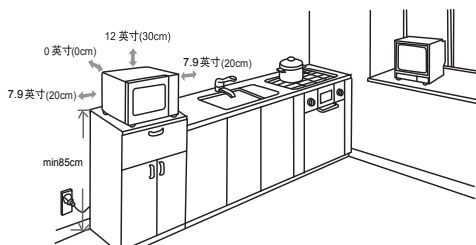
除去全部包裝材料和附件。檢查微波爐表面是否有凹痕，爐門等任何部件是否損壞，若已損壞，請不要安裝。

除去微波爐擺放平面上的任何保護膜。

不要除去用螺釘固定到微波爐爐腔內以保護磁控管的雲母蓋片。

### 安裝：

1. 為入口或出口通風孔提供足夠的開闊空間。



在微波爐和任何鄰近物之間要保留最小7.9英寸(20cm)的間隙。

- (1) 在微波爐頂部要保留最小12英寸(30cm)的間隙。
  - (2) 不要除去微波爐底部的支撐爐腳。
  - (3) 阻塞入口或出口通風孔會損壞微波爐。
  - (4) 放置微波爐時，盡可能遠離收音機和電視機。微波爐運行時，可能會對您的收音機或電視機的接收產生干擾。
2. 將微波爐插入標準家用電源插座。保證電源電壓及頻率與銘牌上標識的電源電壓及頻率一致。

**警告：** 不要在爐竈或其他發熱器具之上安裝微波爐。如果在此環境下安裝，會損壞微波爐，廠家將不對此保修。

## 清潔

1. 先拔掉插座斷電。用軟布蘸上溫和的洗滌液擦淨微波爐內外，然後清洗和擦乾。應該至少每周清潔一次，如果需要可多次清潔。用軟布擦洗，決不可使用去污粉或粗抹布。在微波爐內腔頂部上的過多的濺油如果留存許多天將難以除去。用濕的紙巾擦淨濺潑油污，尤其在烹調雞肉或咸肉后。

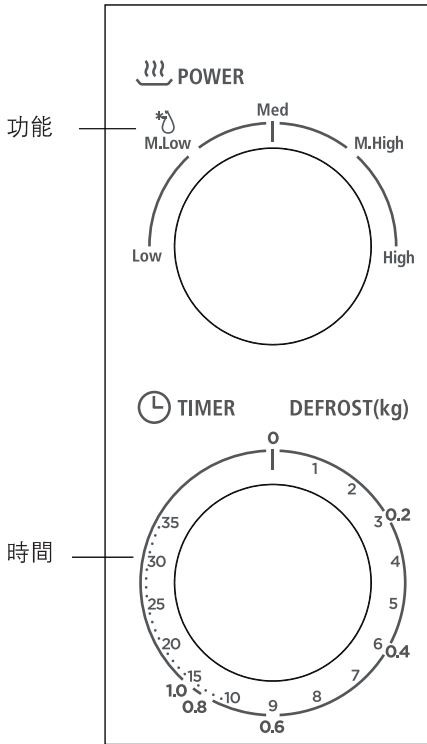
2. 可拆卸移動部分

- (1) 玻璃轉盤可以在洗滌盆清潔。當心不要弄碎或擦傷邊緣，因為這可能造成在使用期間玻璃托盤受損。
- (2) 轉環組件應該經常清潔。

3. 為了微波爐能達到最佳性能和保證操作安全，內門面板和微波爐前樑不得有食物殘留，要認真清洗。

# 操作指引

## 控制面板和特徵



1. 旋轉功率旋鈕，選定合適的烹調火力。
2. 按照食物烹調指南，將定時器旋鈕旋到要求的时间以設定烹調時間。
3. 烹調時間到，微波爐將發出“叮”的一聲，提示烹調結束。
4. 如果不使用微波爐，必須將定時器旋鈕旋到“0”。
5. 如需要解凍食物，功率旋鈕選定中低火，而時間旋鈕則變為重量選定旋鈕，計算解凍食品之重量如：0.2 → 0.4 → 0.6 → 0.8 → 1.0(kg)

功能/火力	輸出功率(百分比)	應用範圍
低 火 Low	17%微波	食物保溫，軟化冰淇淋
解凍(中低火) Med. Low (Defrost)	33%微波	解 凍
中 火 Med.	55%微波	烹煮乳蛋糕，燜煮食品
中高火 Med. High	77%微波	煮飯，烹煮魚及貝類，烹煮糕餅，肉類
高 火 High	100%微波	翻熱，煮沸清水，烹煮鮮菜，烹煮鷄鴨，煮熱非奶飲品

## 問題解決

正常現象	
微波爐干擾電視信號	收音機和電視信號可能被干擾，當微波爐運行時。這與小家電的干擾很相似，如攪拌器、吸塵器和電風扇，這屬正常現象。
水蒸氣積在門上，熱空氣從通風孔排出	在烹調時，水蒸氣可能出自食物本身。大多將從通風孔排出，但一些可能積在較冷的地方，比如爐門上，這屬正常現象。

問題	可能的原因	解決的辦法
爐子不能工作	(1) 電源綫沒有插緊。	拔下插頭，等10秒後重插。
	(2) 保險絲斷或斷路器開始工作。	換保險絲或重設斷路器。 ( 祇允許我公司專業人員進行維修。 )
	(3) 插座有問題。	用其它電器測試插座。
爐子不能加熱	(4) 爐門沒有關好。	重新關好門。
當爐子運行時，玻璃轉盤發出噪聲	(5) 轉盤軸和爐底部臟。	參考“說明書”清潔臟的部件。

PN:16170000A30695

