

**MICROWAVE OVEN WITH GRILL**

# **USER MANUAL**

**MMO-EG925MX**

Warning notices: Before using this product, please read this manual carefully and keep it for future reference. The design and specifications are subject to change without prior notice for product improvement. Consult with your dealer or manufacturer for details.

The diagram above is just for reference. Please take the appearance of the actual product as the standard.

## THANK YOU LETTER

Thank you for choosing Midea! Before using your new Midea product, please read this manual thoroughly to ensure that you know how to operate the features and functions that your new appliance offers in a safe way.

# CONTENTS

THANK YOU LETTER	EN-01
SAFETY INSTRUCTIONS	EN-02
SPECIFICATION	EN-10
PRODUCT OVERVIEW	EN-11
PRODUCT INSTALLATION	EN-13
OPERATION INSTRUCTIONS	EN-14
CLEANING AND MAINTENANCE	EN-20
TROUBLE SHOOTING	EN-21
TRADEMARKS, COPYRIGHTS AND LEGAL STATEMENT	EN-22
DATA PROTECTION NOTICE	EN-23

# SAFETY INSTRUCTIONS

## Intended Use

The following safety guidelines are intended to prevent unforeseen risks or damage from unsafe or incorrect operation of the appliance. Please check the packaging and appliance on arrival to make sure everything is intact to ensure safe operation. If you find any damage, please contact the retailer or dealer. Please note modifications or alterations to the appliance are not allowed for your safety concern. Unintended use may cause hazards and loss of warranty claims.

## Explanation of Symbols



### **Danger**

This symbol indicates that there are dangers to the life and health of persons due to extremely flammable gas.



### **Warning of electrical voltage**

This symbol indicates that there is a danger to life and health of persons due to voltage.



### **Warning**

The signal word indicates a hazard with a medium level of risk which, if not avoided, may result in death or serious injury.



### **Caution**

The signal word indicates a hazard with a low degree of risk which, if not avoided, may result in minor or moderate injury.



### **Attention**

The signal word indicates important information (e.g. damage to property), but not danger.



### **Observe instructions**

This symbol indicates that a service technician should only operate and maintain this appliance in accordance with the operating instructions.

Read these operating instructions carefully and attentively before using/commissioning the unit and keep them in the immediate vicinity of the installation site or unit for later use!

## Precautions To Avoid Possible Exposure To Excessive Microwave Energy

- a. Do not attempt to operate this oven with the door open since open door operation can result in harmful exposure to microwave energy. It is important not to defeat or tamper with the safety interlocks.
- b. Do not place any object between the oven front face and the door or allows soil or cleaner residue to accumulate on sealing surfaces.
- c. Do not operate the oven if it is damaged. It is particularly important that the oven door close properly and that there is no damage to the:
  - DOOR (bent)
  - HINGES AND LATCHES (broken or loosened)
  - DOOR SEALS AND SEALING SURFACES
- d. The oven should not be adjusted or repaired by anyone except properly qualified service personnel.

## Important Safety Instructions

### **⚠ WARNING**

To reduce the risk of fire, electric shock, injury to persons or exposure to excessive microwave oven energy when using your appliance, follow basic precautions, including the following:

- Read and follow the specific: "PRECAUTIONS TO AVOID POSSIBLE EXPOSURE TO EXCESSIVE MICROWAVE ENERGY".
- This appliance is not intended for use by persons (including children) with reduced physical, sensory or mental capabilities, or lack of experience and knowledge, unless they have been given supervision or instruction concerning use of the appliance by a person responsible for their safety.
- Children should be supervised to ensure that they do not play with the appliance.
- If the supply cord is damaged, it must be replaced by the manufacturer, its service agent or similarly qualified persons in order to avoid a hazard.
- **WARNING:** Ensure that the appliance is switched off before replacing the lamp to avoid the possibility of electric shock.
- **WARNING:** It is hazardous for anyone other than a competent person to carry out any service or repair operation that involves the removal of a cover which gives protection against exposure to microwave energy.
- **WARNING:** Liquids and other foods must not be heated in sealed containers since they are liable to explode.

- When heating food in plastic or paper containers, keep an eye on the oven due to the possibility of ignition.
- Only use utensils that are suitable for use in microwave ovens.
- If smoke is emitted, switch off or unplug the appliance and keep the door closed in order to stifle any flames.
- Microwave heating of beverages can result in delayed eruptive boiling, therefore care must be taken when handling the container.
- The contents of feeding bottles and baby food jars shall be stirred or shaken and the temperature checked before consumption, in order to avoid burns.
- Eggs in their shell and whole hard-boiled eggs should not be heated in microwave ovens since they may explode, even after microwave heating has ended.
- The oven should be cleaned regularly and any food deposits removed.
- Failure to maintain the oven in a clean condition could lead to deterioration of the surface that could adversely affect the life of the appliance and possibly result in a hazardous situation.
- The appliance must not be installed behind a decorative door in order to avoid overheating. (This is not applicable for appliances with decorative door.)
- Only use the temperature probe recommended for this oven. (for ovens provided with a facility to use a temperature-sensing probe.)
- The microwave oven shall not be placed in a cabinet

- unless it has been tested in a cabinet.
- The microwave oven must be operated with the decorative door open. (for ovens with a decorative door.)
  - This appliance is intended to be used in household and similar applications such as:
    - staff kitchen areas in shops, offices and other working environments;
    - by clients in hotels, motels and other residential type environments;
    - farm houses;
    - bed and breakfast type environments.
  - The microwave oven is intended for heating food and beverages. Drying of food or clothing and heating of warming pads, slippers, sponges, damp cloth and similar may lead to risk of injury, ignition or fire.
  - Metallic containers for food and beverages are not allowed during microwave cooking.
  - The appliance shall not be cleaned with a steam cleaner.
  - The appliance is intended to be used freestanding.
  - The rear surface of appliances shall be placed against a wall.
  - The appliances are not intended to be operated by means of an external timer or separate remote-control system.
  - The temperature of accessible surfaces may be high when the appliance is operating.
  - **WARNING:** When the appliance is operated in the combination mode, children should only use the oven under adult supervision due to the temperatures generated.

**READ CAREFULLY AND KEEP FOR  
FUTURE REFERENCE**

## To Reduce The Risk Of Injury To Persons Grounding Installation

### **⚠ DANGER**

Electric Shock Hazard

Touching some of the internal components can cause serious personal injury or death. Do not disassemble this appliance.

### **⚠ WARNING**

Electric Shock Hazard

Improper use of the grounding can result in electric shock. Do not plug into an outlet until appliance is properly installed and grounded.

This appliance must be grounded. In the event of an electrical short circuit, grounding reduces the risk of electric shock by providing an escape wire for the electric current.

This appliance is equipped with a cord having a grounding wire with a grounding plug. The plug must be plugged into an outlet that is properly installed and grounded.

Consult a qualified electrician or serviceman if the grounding instructions are not completely understood or if doubt exists as to whether the appliance is properly grounded.

If it is necessary to use an extension cord, use only a 3-wire extension cord.

- A short power-supply cord is provided to reduce the risks resulting from becoming entangled in or tripping over a longer cord.
- If a long cord set or extension cord is used:
  - The marked electrical rating of the cord set or extension cord should be at least as great as the



- The extension cord must be a grounding-type 3-wire cord.
- The long cord should be arranged so that it will not drape over the counter top or tabletop where it can be pulled on by children or tripped over unintentionally.

## Utensils

### CAUTION

#### Personal Injury Hazard

It is hazardous for anyone other than a competent person to carry out any service or repair operation that involves the removal of a cover which gives protection against exposure to microwave energy. See the instructions on “Materials you can use in microwave oven or to be avoided in microwave oven.” There may be certain non-metallic utensils that are not safe to use for microwaving. If in doubt, you can test the utensil in question following the procedure below.

#### Utensil Test:

- Fill a microwave-safe container with 1 cup of cold water (250ml) along with the utensil in question.
- Cook on maximum power for 1 minute.
- Carefully feel the utensil. If the empty utensil is warm, do not use it for microwave cooking.
- Do not exceed 1 minute cooking time.

## Materials you can use in microwave oven

Utensils	Remarks
Browning dish	Follow manufacturer's instructions. The bottom of browning dish must be at least 3/16 inch (5mm) above the turntable. Incorrect usage may cause the turntable to break.
Dinnerware	Microwave-safe only. Follow manufacturer's instructions. Do not use cracked or chipped dishes.
Glass jars	Always remove lid. Use only to heat food until just warm. Most glass jars are not heat resistant and may break.
Glassware	Heat-resistant oven glassware only. Make sure there is no metallic trim. Do not use cracked or chipped dishes.
Oven cooking bags	Follow manufacturer's instructions. Do not close with metal tie. Make slits to allow steam to escape.
Paper plates and cups	Use for short-term cooking/warming only. Do not leave oven unattended while cooking.
Paper towels	Use to cover food for reheating and absorbing fat. Use with supervision for a short-term cooking only.
Parchment paper	Use as a cover to prevent splattering or a wrap for steaming.
Plastic	Microwave-safe only. Follow the manufacturer's instructions. Should be labeled "Microwave Safe". Some plastic containers soften, as the food inside gets hot. "Boiling bags" and tightly closed plastic bags should be slit, pierced or vented as directed by package.
Plastic wrap	Microwave-safe only. Use to cover food during cooking to retain moisture. Do not allow plastic wrap to touch food.
Thermometers	Microwave-safe only (meat and candy thermometers).
Wax paper	Use as a cover to prevent splattering and retain moisture.

## Materials to be avoided in microwave oven

Utensils	Remarks
Aluminum tray	May cause arcing. Transfer food into microwave-safe dish.
Food carton with metal handle	May cause arcing. Transfer food into microwave-safe dish.
Metal or metal-trimmed utensils	Metal shields the food from microwave energy. Metal trim may cause arcing.
Metal twist ties	May cause arcing and could cause a fire in the oven.
Paper bags	May cause a fire in the oven.
Plastic foam	Plastic foam may melt or contaminate the liquid inside when exposed to high temperature.
Wood	Wood will dry out when used in the microwave oven and may split or crack.

# SPECIFICATION

MODEL	MMO-EG925MX
RATED VOLTAGE	230 V- 50 Hz
RATED INPUT (MICROWAVE)	1300 W
RATED OUTPUT (MICROWAVE)	800 W
RATED INPUT (GRILL)	1000 W

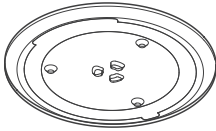
# PRODUCT OVERVIEW

## Setting Up Your Oven

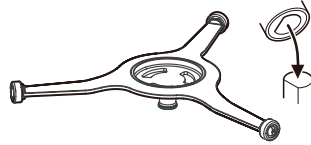
### Names of Oven Parts and Accessories

(In case of any differences between the appliance and the pictures in this manual, the product shall prevail.)

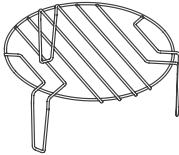
Remove the oven and all materials from the carton and oven cavity. Your oven comes with the following accessories:



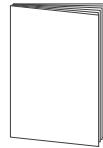
Glass Tray



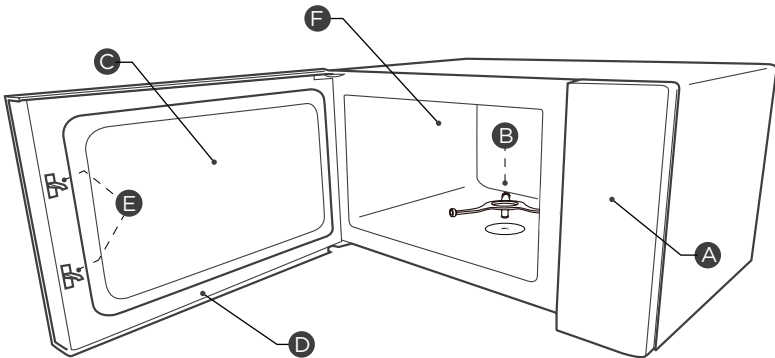
Turntable Ring Assembly



Grill Rack (Cannot be used in microwave function and must be placed on the glass tray)



Instruction Manual



A) Control panel

B) Turntable Ring Assembly

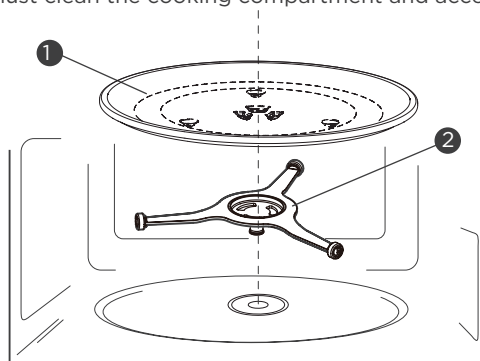
C) Observation window

D) Door assembly

E) Safety interlock system

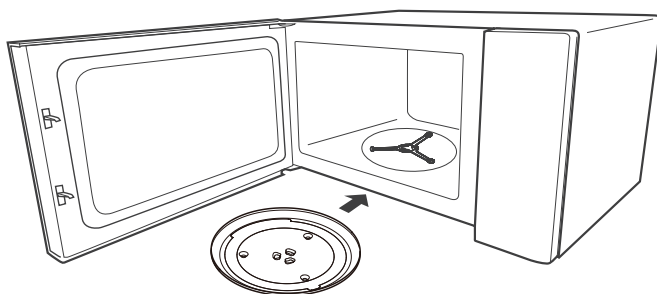
F) Oven cavity

Cleaning the cooking compartment and putting the turntable in place. For new installations, make sure all packaging and shipping tape has been removed. Before using the appliance to prepare food for the first time, you will need to put the turntable in place correctly. You must clean the cooking compartment and accessories.



1) Glass Tray

2) Turntable Ring Assembly



**NOTE:**

Never use the appliance without the turntable. Make sure that it is properly engaged. The turntable can turn clockwise or anti-clockwise.

- Never place the glass tray upside down. The glass tray should never be restricted.
- Both glass tray and turntable ring assembly must always be used during cooking.
- All food and containers of food are always placed on the glass tray for cooking.
- Never restrict the movement of the turntable.
- If glass tray or turntable ring assembly cracks or breaks, contact your nearest authorized service center.

# PRODUCT INSTALLATION

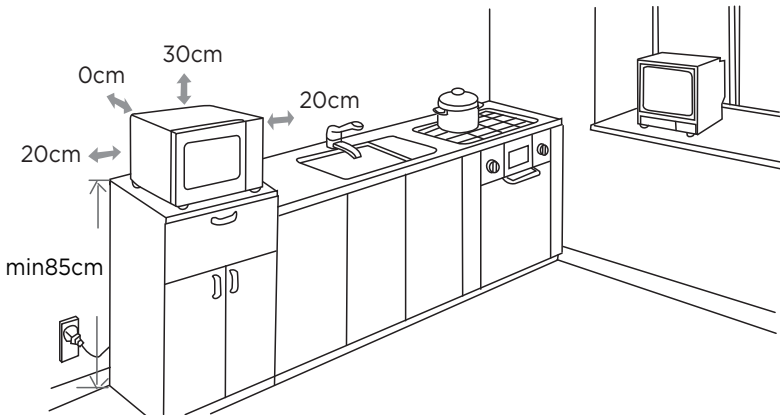
## Countertop Installation

Remove all packing material and accessories. Examine the oven for any damage such as dents or broken door. Do not install if oven is damaged.

Cabinet: Remove any protective film found on the microwave oven cabinet surface. Do not remove the waveguide cover that is attached to the oven cavity to protect the magnetron.

## Installation

1. Select a level surface that provide enough open space for the intake and/or outlet vents.



- The minimum installation height is 85cm.
  - The rear surface of appliance shall be placed against a wall. Leave a minimum clearance of 30cm above the oven, a minimum clearance of 20cm is required between the oven and any adjacent walls.
  - Do not remove the legs from the bottom of the oven.
  - Blocking the intake and/ or outlet openings can damage the oven.
  - Place the oven as far away from radios and TV as possible. Operation of microwave oven may cause interference to your radio or TV reception.
2. Plug your oven into a standard household outlet. Be sure the voltage and the frequency is the same as the voltage and the frequency on the rating label.

### **⚠ WARNING**

Do not install oven over a range cooktop or other heat-producing appliance. If installed near or over a heat source, the oven could be damaged and the warranty would be void.

**The accessible surface may be hot during operation.**



# OPERATION INSTRUCTIONS



## Auto Menus And Presets

自动菜单/预设

		
PIZZA 披萨	POPCORN 爆米花	POTATO 马铃薯
		
FRZ. VEG. 冻蔬菜	BEVERAGE 饮品	DINNER 菜肴

## Multi Functions


功能选择

POWER LEVEL 火力	GRILL 烧烤	COMBI. 组合烹饪
TIMER/ CLOCK 定时器/时钟	TIME/WGT. DEFROST 时间/重量解冻	COOK TIME 烹饪时间

## Express 1-6 min

快速烹饪 1-6分钟

1	2	3
4	5	6
7	8	9

 On/Off  
声音开关

STOP/停止  
CANCEL /取消

LOCK +3sec.

0

ECO  
节能模式

START/启动

+30SEC. /+30秒

## Setting The Clock

1. Press "**TIMER/CLOCK**" twice, "00:00" will display.
2. Press number keys to enter the time.  
Example: To set the clock to 12:10, please press "1,2,1,0" in turn.
3. Press "**TIMER/CLOCK**" to confirm. The clock is set.
4. If the entered number is not within the range of 1:00-12:59, the setting is invalid.

### NOTE

1. In the process of clock setting, if the "**STOP/Cancel**" is pressed or if there is no operation within 1 minute, the setting is invalid.
2. To reset the clock, please repeat step 1 to step 3.

## Setting The Kitchen Timer

1. Press "**TIMER/CLOCK**" once, "00:00" will display.
2. Press the number keys to enter the desired time. The maximum time value is "99:99".
3. Press "**START/+30Sec.**" to confirm. The timer starts counting down.

### NOTE

1. The kitchen timer is a timer.
2. Any other program can't be set during kitchen timer.

## Microwave Cooking

11 power levels are available.

Level	Power Level	Display
10	100%	PL10
9	90%	PL9
8	80%	PL8
7	70%	PL7
6	60%	PL6
5	50%	PL5
4	40%	PL4
3	30%	PL3
2	20%	PL2
1	10%	PL1
0	0%	PL0



1. Press "**COOK TIME**" once, the screen will display "00:00".
2. Press the number keys to set the cooking time, the maximum value is "99:99".
3. Press "**POWER LEVEL**" once, "PL10" will display.
4. Press the number keys to set the power level. The 11 power levels are available.
5. Press "**START/+30Sec.**" to start cooking.  
Example: To cook the food with PL5 for 15 minutes
  - Press "**COOK TIME**".
  - Press "1", "5", "0", "0" in order.
  - Press "**POWER LEVEL**" and then press "5" to select PL5.
  - Press "**START/+30Sec.**" to start cooking.

#### NOTE

1. Opening the oven door or pressing "**STOP/Cancel**" during operation will interrupt the current mode.
2. The power level can be changed during operation.  
Press "**POWER LEVEL**" and then the current power will flash for 3 seconds.  
Press number keys to change the power. The oven will work with the selected power.

### Grill Cooking

1. Press "**GRILL**" once and then "G-1" will display.
2. Press the number keys to set the cooking time. The maximum value is "99:99".
3. Press "**START/+30Sec.**" to start cooking. The cooking time counts down.

#### NOTE

Press "**START/+30Sec.**" to increase the time by 30 seconds everytime.

### Combination Cooking

1. Press "**COMBI.**" once or twice, and then "C-1", "C-2" will display.
2. Press number keys to enter cooking time. The maximum time value is "99:99".
3. Press "**START/+30Sec.**" to start cooking.

Function	Display	Microwave Power	Grill Power
Combi. 1	C-1	55%	45%
Combi. 2	C-2	36%	64%

## Speedy Cooking

1. In standby mode, pressing number keys 1 to 6 let you quickly select a cooking time from 1 to 6 minutes. Then you can press "**START/+30Sec.**" to increase the cooking time. The maximum time value is "99:99".
2. In standby mode, press "**START/+30Sec.**" to cook food with 100% power level for 30 seconds. Each press on the same key can increase 30 seconds and the maximum time value is "99:99".

### NOTE

In microwave cooking state, grilling state, combination cooking state and defrosting by time state, each one more press on "**START/+30Sec.**" can increase the cooking time by 30 seconds (except defrosting by weight and auto menu).

## Defrost By Weight

1. Press "**TIME/WGT. DEFROST**" twice and then the screen will display "dEF2".
2. Press number keys to enter the weight of food. The range of weight is 100 to 2000g.
3. Press "**START/+30Sec.**" to start defrosting.

### NOTE

The buzzer will sound to remind you to turn the food over during defrosting. If no operation, the oven will continue working.

## Defrost By Time

1. Press "**TIME/WGT. DEFROST**" once, the screen will display "dEF1".
2. Press the number keys to set the desired defrost time. The maximum value is "99:99".
3. Press "**START/+30Sec.**" to start defrosting.

## Multi-Stage Cooking

### NOTE

1. Two cooking stages can be set in multi-stage cooking.
2. If you set defrost function, it will work automatically in the first stage.
3. Auto menu cannot be set as one of the multi-stage.

Example: Defrost food for 5 minutes and then cook with 80% microwave power for 7 minutes.

1. Press "**TIME/WGT. DEFROST**" once and then the screen will display "dEF1".
2. Press "5", "0", "0" to set the desired defrost time of 5 minutes.
3. Press "**COOK TIME**" and then press "7", "0", "0" to set the cooking time.
4. Press "**POWER LEVEL**" and then "PL10" will display.
5. Press "8" to set the power level of PL8.
6. Press "**START/+30Sec.**" to start cooking.

## Lock Function For Children

You can use this function to prevent children from accidentally turning the oven on. To activate the lock:

In standby mode, press and hold "**STOP/Cancel**" for three seconds. A beep sounds and the locked icon will display.

To deactivate the lock:

In locked state, press and hold "**STOP/Cancel**" for three seconds. A beep sounds.

## Inquiring Function

1. If the clock has been set, the current time will display for three seconds by pressing "**TIMER/CLOCK**" in the cooking state.
2. In the microwave cooking state, press "**POWER LEVEL**" to inquire the power level. It will display for three seconds. In the grilling state and combination cooking state, press corresponding key to inquire the cooking mode.

## Mute Mode

To activate the mute mode:

In standby mode, press "8" once. A beep will sound. When you press the keys, it does not make a sound.

To deactivate the mute mode:

In mute mode, press "8" once. A beep will sound.

## ECO Function

To enter ECO mode:

In standby mode, press "0", the screen will turn off.

To cancel ECO mode:

In ECO mode, press any key, open and close the door will cancel it.

## Auto Menu

1. In standby mode, press auto menu key repeatedly to select the weight of food you want.

Example: Press "**POPCORN**" repeatedly to select the weight of popcorn you want. "50g" and "100g" will display in order.

2. Press "**START/+30Sec.**" to start cooking.

### Auto Menu Chart

Menu	Weight	Display
DINNER	200g	200g
	400g	400g
POPCORN	50g	50g
	100g	100g
POTATO	1(230g)	1
	2	2
	3	3
PIZZA	250g	250g
	350g	350g
	450g	450g
FRZ. VEG.	200g	200g
	300g	300g
	400g	400g
BEVERAGE	1 cup (120ml)	1
	2 cups (240ml)	2
	3 cups (360ml)	3

# CLEANING AND MAINTENANCE

Be sure to unplug the appliance from the power supply.


- Clean the cavity of the oven after using with a slightly damp cloth.
- Clean the accessories in the usual way in soapy water.
- The door frame and seal and neighbouring parts must be cleaned carefully with a damp cloth when they are dirty.
- Do not use harsh abrasive cleaners or sharp metal scrapers to clean the oven door glass since they can scratch the surface, which may result in shattering of the glass.
- Cleaning Tip---For easier cleaning of the cavity walls that the food cooked can touch: Place half a lemon in a bowl, add 300ml (1/2 pint) water and heat on 100% microwave power for 10 minutes. Wipe the oven clean using a soft, dry cloth.

# TROUBLE SHOOTING

Normal	
Microwave oven interfering TV reception	Radio and TV reception may be interfered when microwave oven operating. It is similar to the interference of small electrical appliances, like mixer, vacuum cleaner, and electric fan. It is normal.
Dim oven light	In low power microwave cooking, oven light may become dim. It is normal.
Steam accumulating on door, hot air out of vents	In cooking, steam may come out of food. Most will get out from vents. But some may accumulate on cool place like oven door. It is normal.
Oven started accidentally with no food in.	It is forbidden to run the unit without any food inside. It is very dangerous.

Trouble	Possible Cause	Remedy
Oven can not be started.	<ul style="list-style-type: none"> <li>Power cord is not plugged in tightly.</li> </ul>	<ul style="list-style-type: none"> <li>Unplug. Then plug again after 10 seconds.</li> </ul>
	<ul style="list-style-type: none"> <li>Fuse blowing or circuit breaker works.</li> </ul>	<ul style="list-style-type: none"> <li>Replace fuse or reset circuit breaker (repaired by professional personnel of our company)</li> </ul>
	<ul style="list-style-type: none"> <li>Trouble with outlet.</li> </ul>	<ul style="list-style-type: none"> <li>Test outlet with other electrical appliances.</li> </ul>
Oven does not heat.	<ul style="list-style-type: none"> <li>Door is not closed well.</li> </ul>	<ul style="list-style-type: none"> <li>Close door well.</li> </ul>

# TRADEMARKS, COPYRIGHTS AND LEGAL STATEMENT

 Midea logo, word marks, trade name, trade dress and all versions thereof are valuable assets of Midea Group and/or its affiliates ("Midea"), to which Midea owns trademarks, copyrights and other intellectual property rights, and all goodwill derived from using any part of an Midea trademark. Use of Midea trademark for commercial purposes without the prior written consent of Midea may constitute trademark infringement or unfair competition in violation of relevant laws.

This manual is created by Midea and Midea reserves all copyrights thereof. No entity or individual may use, duplicate, modify, distribute in whole or in part this manual, or bundle or sell with other products without the prior written consent of Midea.

All the described functions and instructions were up to date at the time of printing this manual. However, the actual product may vary due to improved functions and designs.

# DATA PROTECTION NOTICE

For the provision of the services agreed with the customer, we agree to comply without restriction with all stipulations of applicable data protection law, in line with agreed countries within which services to the customer will be delivered.

Generally, our data processing is to fulfil our obligation under contract with you and for product safety reasons, to safeguard your rights in connection with warranty and product registration questions. In some cases, but only if appropriate data protection is ensured, personal data might be transferred to recipients located outside of the European Economic Area.

Further information are provided on request. You can contact our Data Protection Officer via **MideaDPO@midea.com**. To exercise your rights such as right to object your personal date being processed for direct marketing purposes, please contact us via **MideaDPO@midea.com**. To find further information, please follow the QR Code.





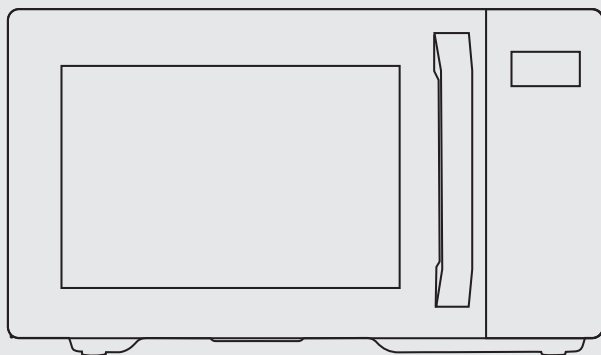


*make yourself at home*



[www.midea.com](http://www.midea.com)

© Midea 2023 all rights reserved



烧烤微波炉

# 使用手册

MMO-EG925MX

警告：在使用本产品之前，请仔细阅读本手册，并妥善保存以供日后参考。因产品改进进行的设计和规格，如有变更，恕不另行通知。

详情请咨询您的经销商或制造商。  
上图仅供参考。请以实物外观为准。

## 感谢信

感谢您选用美的产品! 为确保客户清楚安全使用方式及了解本产品的功能和特性, 请在使用本产品前详细阅读本使用说明书。

# 目录

感谢信	CN-01
安全指引	CN-02
产品规格	CN-09
产品概述	CN-10
产品安装说明	CN-12
操作说明	CN-13
清洁及维护	CN-19
故障排除	CN-20
商标、版权和法律声明	CN-21
数据保护声明	CN-22

# 安全指引

## 预期用途

本安全指南，旨在防止因对设备不安全或不当操作，而造成不可预见的风险或损坏。到货后，请检查包装和器具，确保完好无损，以便安全操作。如发现任何破损，请及时联系零售商或经销商。请注意，为了您的安全考虑，请勿对设备进行任何改装或拆解。任何不当使用，可能会导致危险及保修拒绝赔偿。

## 符号释义



### 危险

该符号表明，极易燃气体可对人的生命健康带来极大危险。



### 电击警告

该符号表明，电击可对人的生命健康带来极大危险。



### 警告

该符号词表明，具有中等风险，如果不注意，可能会导致死亡或重伤。



### 警示

该符号词表明，具有低危险，如果不注意，可能会导致轻微或中度伤害。



### 注意

该符号词表明，具有重要信息（例如财产损失），但不是危险。



### 遵照说明

该符号词表明，只能有专门的维修技术人员按照操作说明操作和维护本设备。

在使用 / 调试本机之前，请仔细阅读操作说明，并将它放在安装现场或设备附近，以备随时查阅！

## 预防措施：防止可能暴露于过量微波能量下

- a. 请勿在门打开的情况下操作本微波炉，此操作可能会释放有害的微波能量。  
严禁破坏或篡改安全联锁装置。
- b. 请勿在微波炉正面和门之间放置任何物体，封接面上不得留有污垢或清洁剂残留。
- c. 如果微波炉损坏，请勿操作。如果正确关闭炉门，不会损坏以下部件：
  - 门（曲面）
  - 铰链和门闩（断裂或松动）
  - 门密封条和密封面
- d. 除合格的维修人员外，任何人不得调整设置或维修微波炉。

## 重要安全须知

### ▲ 警告

为减少使用微波炉时发生火灾、触电、人身伤害或暴露于过量能量的风险，应遵循以下基本预防措施：

- 阅读并遵循具体的：“避免暴露在过量微波能量下的注意事项”。
- 身体、感官或智力受损，或缺乏经验的人员（包括儿童）请不要使用本电器，除非在安全责任人的监管下，以及得到安全使用本设备的指导后，方可使用本设备。
- 照看好儿童，防止嬉弄设备。
- 如果电源线损坏，必须由生产厂家、服务代理商或相关专业人员更换电源线，以免发生危险。
- 警告：更换灯具前，请确保设备已关掉，以免触电。
- 警告：任何非专业人士擅自进行的任何维修或修理操作，均存在极大的危险，包括拆下防止微波能量泄露的防护盖。
- 警告：切勿将液体及其他食物放在密封容器内进行加热，因为该操作极易引发爆炸。
- 当使用塑料或纸质容器加热食物时，需注意炉内的情况，防止出现起火情况。
- 仅可使用微波炉适用的器皿。
- 如果观察到炉内冒烟，请关闭本设备，或拔下电源插头。紧闭炉门以灭火。
- 在加热饮料时，微波能量会造成延迟喷发沸腾，因此务必要小心拿取盛放容器。
- 奶瓶和婴儿食品罐内的食物在食用前应搅拌或摇晃并检查温度，以免烫伤。
- 请勿将带壳鸡蛋和全熟蛋放在微波炉中加热，这可能会引起爆炸，即使在微波加热结束后也会存在这一危险。
- 应对微波炉定期清洁，祛除残存的食物残渣。
- 若微波炉无法保持清洁，则其表面可能会出现老化，这将极大地缩短本设备的使用寿命，同时还可能引发危险事故。
- 本设备不得安装在装饰门后，以免过热。（不适用于带有装饰门的电器。）

- 仅使用推荐用于此微波炉的温度探针。（适用于配有温度传感探头的微波炉。）
- 将微波炉放置在柜体之前须对柜体进行测试，否则不得放置。
- 使用微波炉时，装饰门必须保持打开状态。（对于带有装饰门的型号。）
- 本设备为家用型。适用于：
  - 商店的员工茶水间、办公室或其他工作场所；
  - 酒店、汽车旅馆以及其他住宿场所；
  - 农场；
  - 提供住宿和早餐的旅馆。
- 本设备可对食物和饮料进行加热。切勿使用微波炉进行食物或衣物的烘干、以及对加热垫、拖鞋、海绵、湿布和其他类似物品的加热操作，防止引发人身伤害、引燃或起火事故。
- 在微波烹饪时，禁止使用金属容器盛装食物和饮料。
- 不得使用蒸汽清洗机清洁本设备。
- 该设备为独立式使用。
- 应将设备后表面靠墙放置。
- 本设备不得通过外部定时器或单独的遥控系统进行操作。
- 当设备运行时，表面的温度可能很高。
- 警告：设备在组合模式下使用时，由于温度的问题，儿童只可在成人的监督下使用。

**请仔细阅读，并妥善保存，留作日后参考**



## 减少接地装置对人员造成伤害

### ⚠ 危险

#### 触电危险

触碰某些内部元件会造成严重的人身伤害或死亡。请勿拆卸该微波炉。

### ⚠ 警告

#### 触电危险

接地装置使用不当会导致触电。在设备正确安装和接地之前，不要将插头插入插座。

微波炉必须接地。在发生电线短路时，接地可以为电流提供逃逸线，从而降低触电的风险。

微波炉配备有带接地插头的接地线的接线。插头必须插入正确安装并接地的插座。

如果您不完全理解接地说明或对设备接地的正确性存疑，请咨询有执业资格的电工或维修人员。

如果需要使用延长线，则只能使用三线延长线。

- 本设备提供短电源线，以减少被较长的电源线缠住或绊倒而导致的风险。
- 如果使用长接线组或延长线：
  - 接线组或延长线的标记电额定值应不小于设备的电额定值。
  - 延长线必须是接地型三线电线。
  - 电线过长须进行整理，避免悬垂在台面或桌面上，以免被儿童拉动或无意中绊倒。

## 器皿

### ⚠ 警示

#### 人身伤害危险

任何非专业人士擅自进行的任何维修或修理操作，均存在极大的危险，包括拆下防止微波能量泄露的防护盖。

请参阅“适用于微波炉加热或禁止用于微波炉加热的材料”的说明”。部分非金属器皿用微波炉加热可能存在安全隐患。如有疑问，请按照以下的程序测试有问题的器皿。

#### 器皿测试：

- 将 1 杯冷水（250 毫升）和测试器皿一起装入微波炉专用容器。
- 以最大功率加热 1 分钟。
- 小心触摸器皿。如果空器皿是热的，则不可用于微波炉烹饪。
- 烹饪时间不要超过 1 分钟。

## 可用于微波炉的材料

器皿	备注
褐变盘	请遵循制造商使用说明。褐变盘底部必须至少高出转盘 3/16 英寸（5 毫米）。使用不当可能导致转盘断裂。
整套餐具	仅限微波炉专用餐具。请遵循制造商使用说明。切勿使用有裂纹或缺口的碟子。
玻璃罐	切记拆下盖子。只可加热食物到温热状态。大多数玻璃罐不耐热，可能发生破裂。
玻璃器皿	仅限耐热微波炉玻璃器皿。确保没有金属边装饰。切勿使用有裂纹或缺口的碟子。
微波炉烹饪袋	请遵循制造商使用说明。请勿用金属扎带封闭。留出缝隙供蒸汽逸出。
纸盘和纸杯	仅用于短时烹饪 / 加热。烹饪时不要让微波炉处于无人看管状态。
纸巾	用于遮盖食物，以重新加热和吸收油脂。请在监督下使用，仅用于短时烹饪。
羊皮纸	用于遮盖食物以防止飞溅，或用于蒸煮食物的包装。
塑料	仅限微波炉专用餐具。请遵循制造商使用说明。应该贴上“微波安全”的标签。有些塑料容器会随着里面食物变热而变软。“煮沸袋”和密闭的塑料袋应按包装指示开缝、穿孔或放空。
保鲜膜	仅限微波炉专用餐具。用于在烹饪过程中遮盖食物以保持水分。不要让保鲜膜接触食物。
温度计	仅微波炉专用（肉类和糖果温度计）。
蜡纸	用作遮盖，防止飞溅并保持水分。

## 不可用于微波炉的材料

器皿	备注
铝托盘	可能会引起电弧。请将食物转移到微波炉专用的盘子里。
带金属把手的食品纸盒	可能会引起电弧。请将食物转移到微波炉专用的盘子里。
金属或金属镶边器皿	金属可保护食物不受微波能量的影响。金属边可能会引起电弧。
金属扎带	可能会引起电弧并引起微波炉内起火。
纸袋	可能会引起微波炉内起火。
塑料泡沫	塑料泡沫暴露在高温下可能会熔化或污染里面的液体。
木材	木材在微波炉中使用时会变干，可能会裂开或爆裂。

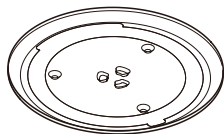
# 产品规格

型号	MMO-EG925MX
额定电压	230 V~ 50 Hz
额定输入（微波）	1300 W
额定输出（微波）	800 W
额定输入（烧烤）	1000 W

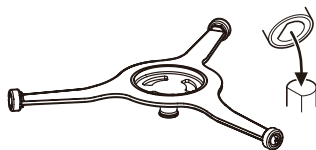
# 产品概述

## 微波炉零件及附件名称

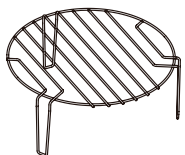
(如果设备与本手册中的图片有任何差异,以产品为准。)  
从纸箱和炉腔中取出微波炉和所有材料。烤箱附带以下附件:



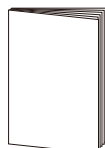
玻璃托盘



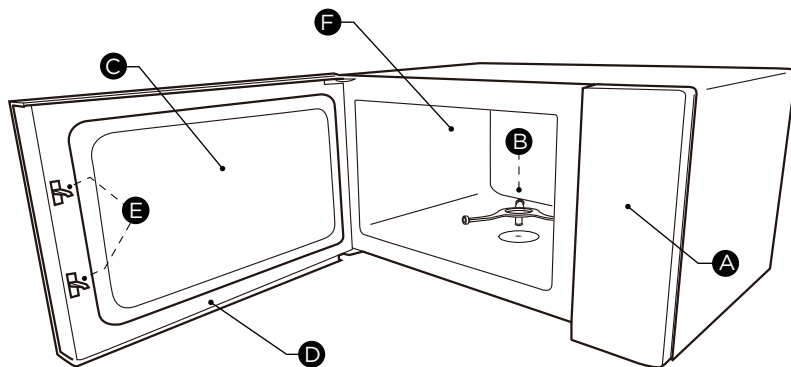
转盘装置



烤架 (不能用于微波功能,  
必须放在玻璃托盘上)



使用说明书

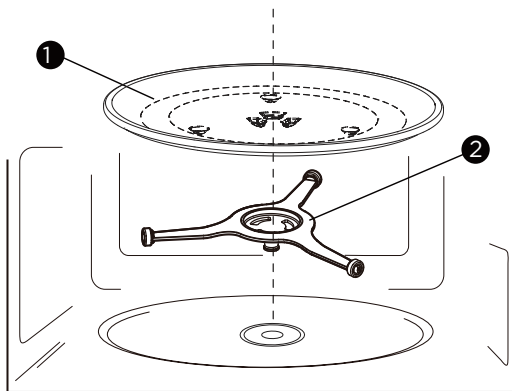


- A) 控制面板
- B) 转盘装置
- C) 视窗

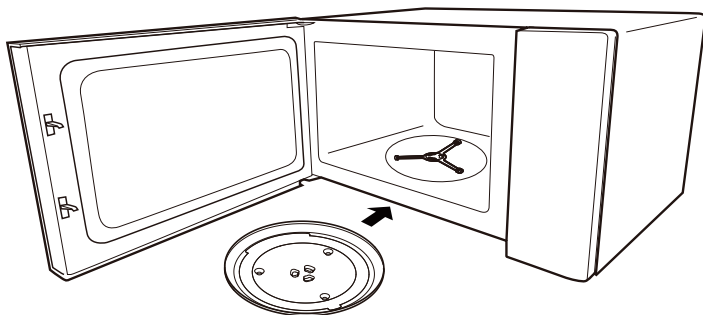
- D) 门体组件
- E) 安全联锁系统
- F) 微波炉腔体

## 微波炉零件及附件名称

清洁炉腔并将转盘放于正确位置。首次安装，请确保所有包装和运输胶带都已移除。首次使用该设备准备食物之前，请将转盘放置到位。须清洁设备及其配件。



- 1) 玻璃托盘
- 2) 转盘装置



### ● 注意

1. 请勿在没有转盘的情况下使用产品。确保转盘正确接合。转盘可顺时针或逆时针转动。
2. 切勿将玻璃托盘倒置。玻璃托盘放置应留有一定的空隙。
3. 在烹饪过程中必须始终使用玻璃托盘和转盘装置。
4. 所有食物和盛放食物的容器总是放在玻璃托盘上烹饪。
5. 切勿限制移动的转台。
6. 如果玻璃托盘或转盘装置破裂或断裂，请与最近的授权服务中心联系。

# 产品安装说明

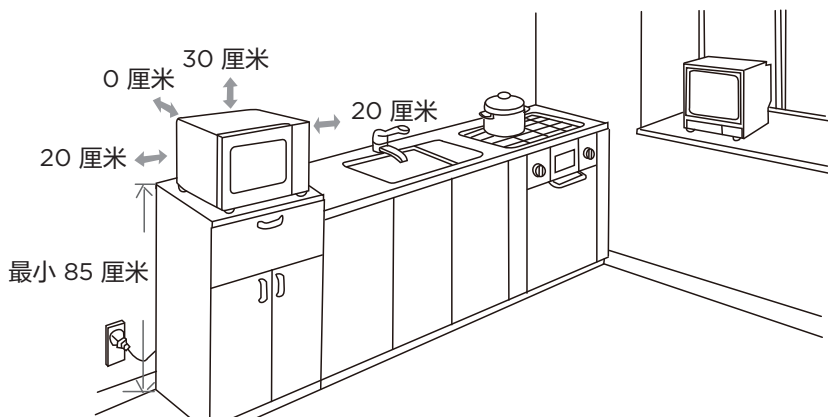
## 台面安装

移除所有包装材料和附件。检查微波炉是否有任何损坏，如凹痕或炉门破裂。如果微波炉损坏，请勿安装。

柜体：清除微波炉柜体表面所有的保护膜。连接在微波炉腔体上的波导盖用以保护磁控管，请勿拆卸。

## 安装

1. 选择一个水平面，为进气和 / 或排气口提供足够的开放空间。



- 最小安装高度为 85 厘米。
  - 设备的后表面应靠墙放置。  
在烤箱上方留出至少 30 厘米的间隙，烤箱与任何相邻墙壁之间需要至少 20 厘米的间隙。
  - 不要从微波炉底部取下支腿。
  - 堵塞进气口和 / 或排气口会造成微波炉损坏。
  - 将微波炉放置在尽可能远离收音机和电视机的地方。微波炉工作时可能会对会干扰收音机或电视机的信号接收。
2. 将微波炉插到标准家用插座上。确保其电压和频率与额定值标签上的电压和频率相同。

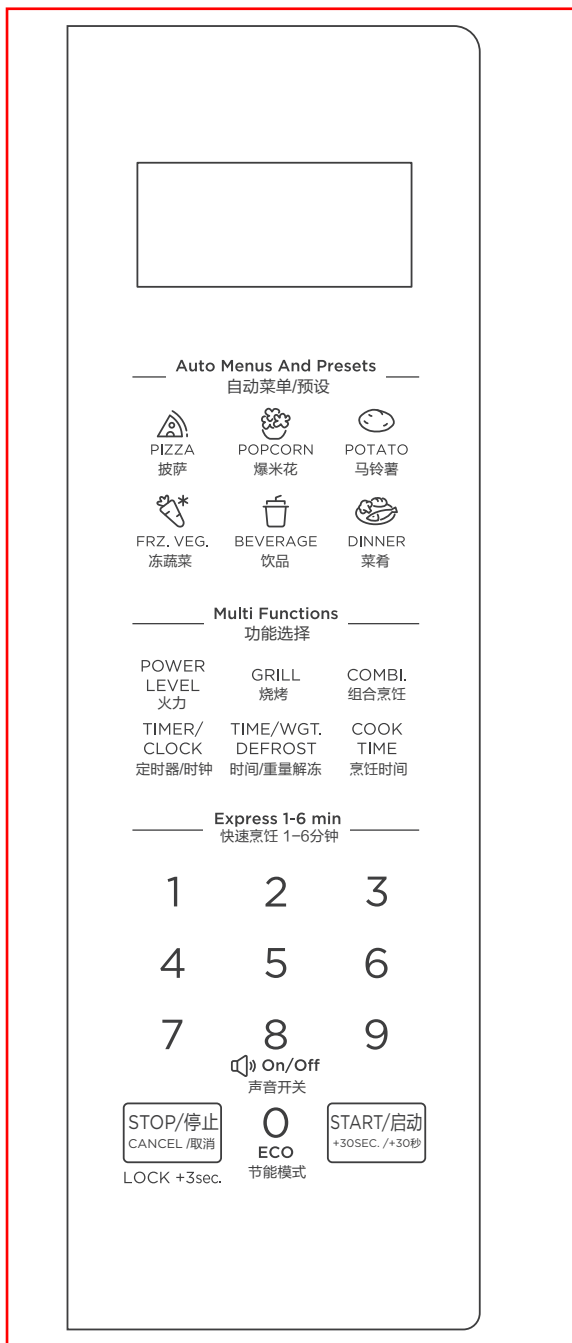
### ⚠ 警告

请勿将微波炉安装在炉灶或其他发热电器上。如果安装在热源附近或上方，烤箱可能会被损坏，保修将失效。

**操作过程中，可触及的表面会发烫。**



# 操作说明







## 设置时钟

1. 按“**定时器/时钟**”两次，将显示“00:00”。
2. 按数字键输入时间。  
例如：要将时钟设置为12:10，请依次按“1, 2, 1, 0”。
3. 按“**定时器/时钟**”确认，设置完成。
4. 如果输入的数字不在1:00-12:59范围内，则设置无效。

### 注意

1. 时钟设置过程中，如果按“**停止 / 取消**”键或1分钟内无任何操作，则设置无效。
2. 要重置时钟，请重复步骤 1 至步骤 3。

## 设置厨房定时器

1. 按“**定时器/时钟**”一次，将显示“00:00”。
2. 按数字键输入所需的时间。最大时间值为“99:99”。
3. 按“**启动/+30 秒**”确认。计时器开始倒计时。

### 注意

1. 厨房定时器是计时器。
2. 厨房定时器期间不能设置任何其他程序。

## 微波烹饪

有11个功率等级可供选择。

级别	火力等级	显示
10	100%	PL10
9	90%	PL9
8	80%	PL8
7	70%	PL7
6	60%	PL6
5	50%	PL5
4	40%	PL4
3	30%	PL3
2	20%	PL2
1	10%	PL1
0	0%	PL0

1. 按“烹饪时间”一次，屏幕将显示“00:00”。
2. 按数字键设置烹饪时间，最大值为“99:99”。
3. 按“火力”一次，将显示“PL10”。
4. 按数字键设置功率等级。有11个功率等级可供选择。
5. 按“启动/+30秒”开始烹饪。  
例如：用PL5煮食物15分钟
  - 按“烹饪时间”。
  - 依次按“1”、“5”、“0”、“0”。
  - 按“火力”，然后按“5”选择PL5。
  - 按“启动/+30秒”开始烹饪。

### ● 注意

1. 操作过程中打开炉门或按“停止/取消”键将中断当前模式。
2. 运行期间可以更改功率等级。  
按“火力”键，当前功率等级闪烁3秒。  
按数字键更改功率。微波炉将以选定的功率工作。

## 烧烤烹饪

1. 按“烧烤”一次，然后会显示“G-1”。
2. 按数字键设置烹饪时间。最大值为“99:99”。
3. 按“启动/+30秒”开始烹饪。烹饪时间开始倒计时。

### ● 注意

按“启动/+30秒”每次增加时间30秒。

## 组合烹饪

1. 按“组合烹饪”一次或两次，然后显示“C-1”、“C-2”。
2. 按数字键输入烹饪时间。最大时间值为“99:99”。
3. 按“启动/+30秒”开始烹饪。

功能	显示	微波炉功率	烧烤功率
组合1	C-1	55%	45%
组合2	C-2	36%	64%

## 快速烹饪

1. 在待机状态下，按数字键1至6可快速选择烹饪时间（1至6分钟），然后可以按“启动/+30秒”增加烹饪时间。最大时间值为“99:99”。
2. 在待机状态下，按“启动/+30秒”以100%功率等级烹饪食物30秒。每按同一键可增加30秒，最大时间值为“99:99”。

### 注意

在微波烹饪状态、烧烤状态、组合烹饪状态、定时解冻状态下，每多按一次“启动/+30秒”可将烹饪时间增加30秒（按重量解冻和自动菜单除外）。

## 按重量解冻

1. 按“时间/重量解冻”两次，屏幕将显示“dEF2”。
2. 按数字键输入食物的重量。重量范围为100至2000克。
3. 按“启动/+30秒”开始解冻。

### 注意

解冻过程中蜂鸣器会发出声音提醒您翻转食物。如果不进行任何操作，微波炉将继续工作。

## 按时间解冻

1. 按“时间/重量解冻”一次，屏幕将显示“dEF1”。
2. 按数字键设置所需的解冻时间。最大值为“99:99”。
3. 按“启动/+30秒”开始解冻。

## 多阶段烹饪

### ● 注意

1. 多阶段烹饪可设置两个烹饪阶段。
2. 如果设置了解冻功能，**则会在第一阶段自动工作。**
3. 自动菜单不能设置为多级烹饪阶段之一。

例如：将食物解冻5分钟，然后以80%微波功率烹饪7分钟。

1. 按“**时间/重量解冻**”一次，屏幕将显示“dEF1”。
2. 按“5”、“0”、“0”设置所需的解冻时间5分钟。
3. 按“**烹饪时间**”，然后按“7”、“0”、“0”设置烹饪时间。
4. 按“**火力**”，然后将显示“PL10”。
5. 按“8”设置功率等级为PL8。
6. 按“**启动/+30秒**”开始烹饪。

## 童锁功能

您可以使用此功能来防止儿童意外打开微波炉。要激活童锁：

在待机状态下，按住“**停止 / 取消**”三秒钟，发出提示音并显示锁定图标。

要停用童锁：

在锁定状态下，按住“**停止 / 取消**”三秒直到提示音响起。

## 查询功能

1. 如果已设置时钟，则在烹饪状态下按“**定时器/时钟**”键将显示当前时间三秒钟。
2. 在微波烹饪状态下，按“**火力**”查询功率等级，将显示三秒钟。在烧烤状态下和组合烹饪状态，按相应按键可查询烹饪模式。

## 静音模式

要激活静音模式：

在待机状态下，按一次“8”，将会发出蜂鸣声。此时按下按键不会发出声音。

要取消静音模式：

在静音模式下，按一次“8”，将会发出蜂鸣声。

## ECO功能

要进入ECO模式：

在待机状态下，按“0”，屏幕将关闭。

要取消ECO模式：

在ECO模式下，按任意键、打开和关闭门将取消ECO模式。

## 自动菜单

1. 在待机状态下，反复按自动菜单键选择所需食物的重量。

例如：反复按“爆米花”选择所需爆米花的重量。将依次显示“50g”和“100g”。

2. 按“启动/+30秒”开始烹饪。

### 自动菜单图

菜单	重量	显示
菜肴	200克	200g
	400克	400g
爆米花	50克	50g
	100克	100g
马铃薯	1 (230克)	1
	2	2
	3	3
披萨	250克	250g
	350克	350g
	450克	450g
冻蔬菜	200克	200g
	300克	300g
	400克	400g
饮品	1杯 (120毫升)	1
	2杯 (240毫升)	2
	3杯 (360毫升)	3

# 清洁及维护

确保拔掉设备电源。

- 使用后请用湿抹布清洁炉腔。
- 使用肥皂水常规清洗附件。
- 当门框和密封条及邻近零件变脏时，须用湿布仔细清洁。
- 切勿使用粗糙的擦洗用具或尖锐的金属刮刀来清洁微波炉的炉门，防止表面被刮伤，造成玻璃损坏。
- 清洁小贴士 —— 快速清除烹调食物遗留在腔壁的残渣：将半个柠檬放入碗中，加入 300 毫升（1/2 品脱）水，放入微波炉中，将微波炉火力开到最大，加热 10 分钟。用软干布将微波炉擦拭干净。


# 故障排除

## 正常

微波炉干扰电视信号接收	微波炉操作时，可能会干扰无线电和电视信号接收。这种干扰类似于小型电气设备的干扰，如搅拌机、吸尘器、电风扇。这属于正常情况。
微波炉灯光暗淡	在低功率微波烹饪中，微波炉灯光可能会变暗。这属于正常情况。
蒸汽积聚在炉门上，热空气从通风口流出	在烹饪中，蒸汽可能会从食物中冒出来。大部分（蒸汽）会从通风口出来。但也有一些会积聚在阴凉处，如微波炉门。这属于正常情况。
在没有食物的情况下，不小心启动了微波炉。	禁止在内部没有任何食物的情况下运行设备。这种操作非常危险。

故障	可能原因	解决方法
微波炉无法启动。	• 电源线没有插紧。	• 断电。那么10秒后重新插上(电源线)。
	• 保险丝烧断或断路器运作。	• 更换保险丝或复位断路器（由本公司专业人员维修）
	• 插座故障。	• 使用其他电器设备测试插座。
	• 如果电压不在额定功率范围内，则无效。	• 请使用额定电压。
微波炉无法加热。	• 门未关好。	• 关好炉门。

# 商标、版权和法律声明

 Midea 徽标、文字商标、商标名称、商业外观及其所有版本是美的集团和/或其附属公司（“美的”）的宝贵资产，美的拥有商标、版权和其他知识产权，以及因使用美的商标的任何部分而产生的所有商誉。未经美的事先书面同意，将美的商标用于商业目的，可能构成商标侵权或不正当竞争，违反相关法律。

本手册由美的创作，美的保留其所有版权。未经美的事先书面同意，任何单位和个人不得使用、复制、修改、分发本手册的全部或部分内容，或其他产品捆绑销售。

在印刷本手册时，所有描述的功能和说明都是最新的。然而，由于功能和设计的改进，实际产品可能会与图示有所差异。



# 数据保护声明

根据与客户签订的服务条款，我们同意无条件地遵守数据保护法的相关规定，此规定同样适用于为客户提供服务的商定国家。

一般情况下，我们处理数据是为了履行双方合同义务。考虑到产品安全问题，我们维护您在保修和产品注册问题上申诉的权利。只有确保数据安全的情况下，个人数据才可能被传输至欧洲经济区以外的接收方

根据要求，我们将提供其他详细信息。您可以通过 **MideaDPO@midea.com** 联系我们的数据保护官。如果您不同意将个人数据用于营销目的，您有权通过 **MideaDPO@midea.com** 与我们联系。欲了解更多信息，请扫描二维码。







*make yourself at home*



[www.midea.com](http://www.midea.com)

© Midea 2023 all rights reserved

PN:16170000B00399