

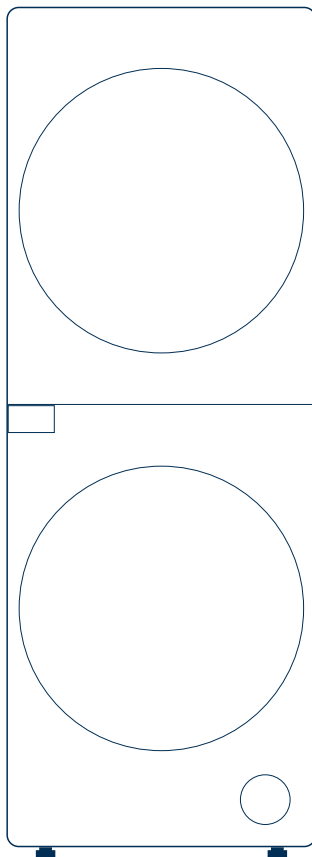
Washing And Drying Care Set

Front Loading

Read This Manual

Read all instructions and explanations for the installation before use. Follow the instructions carefully. Keep the operation instructions handy for later use. If the appliance is sold or passed on, ensure that the new owner always receives this operation instructions.

USER MANUAL



MODEL: ML19F100D80W

CONTENTS

SAFETY INSTRUCTIONS	02
SPECIFICATIONS	10
PRODUCT OVERVIEW	11
QUICK START GUIDE	12
PRODUCT INSTALLATION	14
OPERATION INSTRUCTIONS	20
APP SETUP AND OPERATION	32
CLEANING AND MAINTENANCE	34
TROUBLE SHOOTING	39
DISPOSAL AND RECYCLING	42



Read all instructions and explanations before use. Follow the instructions carefully. Keep the operation instructions handy for later use. If the appliance is sold or passed on then ensure that the new owner always receives these operation instructions.

SAFETY INSTRUCTIONS

Intended Use

The product is intended only for home use and for textiles in household amounts suitable for washing or drying. This appliance is for indoor use only and not intended for built in use. Only use according to these instructions. The appliance is not intended for commercial use.

Any other use is considered as improper use. The producer is not responsible for any damage or injury that may result from it.

This appliance is intended to be used in household and similar applications such as:

- Staff kitchen areas in shops, offices and other working environments;
- Farm houses;
- By clients in hotels, motels and other residential type environments;
- Bed and breakfast type environments;
- Areas for communal use in blocks of flats or in launderettes.

Explanation of Symbols



DANGER

This symbol indicates that there are dangers to the life and health of persons due to extremely flammable gas.



WARNING OF ELECTRICAL VOLTAGE

This symbol indicates that there is a danger to life and health of persons due to voltage.



WARNING

The signal word indicates a hazard with a medium level of risk which, if not avoided, may result in death or serious injury.



CAUTION

The signal word indicates a hazard with a low degree of risk which, if not avoided, may result in minor or moderate injury.



NOTE

The signal word indicates important information (e.g. damage to property), but not danger.



OBSERVE INSTRUCTIONS

This symbol indicates that a service technician should only operate and maintain this appliance in accordance with the operating instructions.

Please read the following safety information thoroughly and follow it strictly to minimize the risk of fire or explosion, electric shock and to prevent property damage, personal injury or loss of life. Failing to follow these instructions shall void any warranty.

This appliance is not intended for use by persons (including children) with reduced physical, sensory or mental capabilities, or lack of experience and knowledge, unless they have been given supervision or instruction concerning use of the appliance by a person responsible for their safety.

WARNING: Electric Shock Hazard

- If the supply cord is damaged, it must be replaced by the manufacturer, its service agent or similarly qualified persons in order to avoid a hazard.
- If the machine is damaged, it must not be operated unless repaired by the manufacturer, its service agent or similarly qualified persons.
- Risk of electric shock!
- The appliance can be used by children aged from 8 years and above and persons with reduced physical, sensory or mental capabilities or lack of experience and knowledge if they have been given supervision or instruction concerning use of the appliance in a safe way and understand the hazards involved. Children shall not play with the appliance. Cleaning and user maintenance shall not be made by children without supervision.
- Children should be supervised that they do not play with the appliance.
- Children 3 years and under shall be kept away from the appliance or continuously supervised.
- Animals and children may climb into the machine. Check the machine before every operation.
- Do not climb or sit on the appliance.
- Before connecting the tumble dryer, ensure that the connection parameter on the rating plate (fuse rating, voltage and frequency) match the mains electricity supply. If in any doubt, consult a qualified electrician.
- The electrical safety of this tumble dryer can only be guaranteed when correctly earthed. It is essential that this standard safety requirement is met. If in any doubt, please have the household wiring system tested by a qualified electrician. The manufacturer cannot be held liable for the consequences of an inadequate earthing system (e.g. electric shock).
- Do not pull the power cord forcefully. Please grasp the mains plug instead
- Do not plug/draw the mains plug with wet hands.
- Do not bend, clamp or damage the power cord and the power plug.
- If the power cable is damaged, it must be replaced by the manufacturer, its service agent or similarly qualified persons in order to avoid a hazard.
- **WARNING:** The appliance must not be supplied through an external switching device, such as a timer, or connected to a circuit that is regularly switched on and off by a utility.
- Do not connect the appliance to the mains electricity supply by an extension lead, multi-socket adapter or similar.
- The accessibility of the plug must always be ensured, in order to disconnect the tumble dryer from the mains.
- If the appliance appear high temperature abnormally, please draw the mail plug immediately.

SAFETY INSTRUCTIONS



WARNING: Injury Danger

- The appliance must not be installed behind a lockable door, a sliding door or a door with a hinge on the opposite side to that of the tumble dryer, in such a way that a full opening of the tumble dryer door is restricted.
- Do not disassemble or install the dryer without any instruction or supervision.
- Do not stack this dryer on washing machine without stacking kits. (If you want to stack this dryer on a washing machine, please purchase the independent parts. Installation shall be done by the manufacturer, its service agent or similarly qualified persons to avoid any hazards.)
- Do not lean on the opened door of the dryer.
- Condensed water is not drinking water. It can cause health problems in both people and animals if consumed.



WARNING: Damage Danger

- Do not put more load than rated in this user manual. See the related chapter in the user manual.
- Do not operate the dryer without the door filter.
- Do not dry the clothes before being spun.
- Do not expose the dryer directly under the sun.
- Do not install the dryer in humid and drenching environment.
- While cleaning and maintenance, please do remember to pull out the power plug and do not directly spray the dryer with water.
- The appliance should not be overturned during normal use or maintenance.
- Fill steam generators only with liquids specified by the manufacturer.



CAUTION: RISK OF FIRE !



WARNING: Explosion & Fire danger

- Please do not dry the clothes with any flammable substances such as kerosene or alcohol. Otherwise, there may be explosion.
- The appliance contains an environmentally friendly but flammable R290 refrigerant. Keep away from open flame and other sources of ignition.
- The tumble dryer is not to be used if industrial chemicals have been used for cleaning.
- Do not dry unwashed items in the tumble dryer.
- Items that have been soiled with substances such as cooking oil, acetone, alcohol, petrol, kerosene, spot removers, turpentine, waxes and wax removers should be washed in hot water with an extra amount of detergent before being dried in the tumble dryer.
- Items such as foam rubber (latex foam), shower caps, waterproof textiles, rubber backed articles and clothes or pillows fitted with foam rubber pads should not be dried in the tumble dryer.
- Fabric softeners, or similar products, should be used as specified by the fabric softener instructions.

- Oil-affected items can ignite spontaneously, especially when exposed to heat sources such as in a tumble dryer. The items become warm, causing an oxidation reaction in the oil. Oxidation creates heat. If the heat cannot escape, the items can become hot enough to catch fire. Piling, stacking or storing oil-affected items can prevent heat from escaping and so create a fire hazard.
- Remove all objects from pockets such as lighters and matches.
- If it is unavoidable that fabrics that contain vegetable or cooking oil or have been contaminated by hair care products be placed in a tumble dryer they should first be washed in hot water with extra detergent. This will reduce, but not eliminate, the hazard.
- Never stop a tumble dryer before the end of the drying cycle unless all items are quickly removed and spread out so that the heat is dissipated.
- Openings must not be obstructed.
- The lint trap has to be cleaned frequently.
- Lint must not to be allowed to accumulate around the tumble dryer.
- Do not damage the refrigerant circuit.

Safety with children

- This appliance can be used by children aged from 8 years and above and persons with reduced physical, sensory or mental capabilities or lack of experience and knowledge if they have been given supervision or instruction concerning use of the appliance in a safe way and understand the hazards involved. Children shall not play with the appliance. Cleaning and user maintenance shall not be done by children without supervision.
- Children should be supervised to ensure that they do not play with the appliance.
- Children of less than 3 years should be kept away unless continuously supervised.
- Always close the door after use. In this way you will avoid the danger of:
 1. Children climbing onto or into the dryer or hiding things in it.
 2. Pets or other small animals climbing into it.

SAFETY INSTRUCTIONS

Installation Location and Surrounding

- All washing and additional substances are to be kept in a safe place out of the reach of children.
- Do not install the machine on a carpet floor.
- The obstruction of the openings by a carpet can damage the machine.
- Keep the appliance clear from heating sources and direct sunlight to avoid plastic and rubber parts to corrode.
- Do not use the appliance in humid environments or rooms containing explosive or caustic gas. In case of water leakage or water splashes, let the appliance dry in the open air.
- The appliance must not be installed behind a lockable door, a sliding door or a door with a hinge on the opposite side to that of the machine .
- Do not operate the machine in rooms with a temperature of below 5°C. This can cause damages to parts of it. If it is unavoidable, make sure to drain the water completely from the appliance after every use (see“Maintenance - Cleaning of drain pump filter”) to avoid damages caused by frost.
- Never use flammable sprays or substances in the immediate proximity of the appliance.

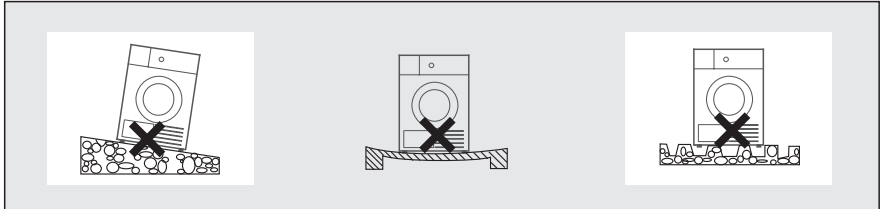
Installation

- Remove all packaging material and transport bolts before using the appliance. Otherwise, serious damage may result.
- This appliance is equipped with a single inlet valve and can be connected to the cold water supply only.
- Mains plug must be accessible after installation.
- Before washing clothes for the first time, the product shall be operated once throughout all the procedures without any clothes inside.
- Before using the machine, the product shall be calibrated.
- Do not put any excessively heavy objects on the appliance, like water containers or heating devices.
- The new hose-sets supplied with the appliance are to be used and that old hose-sets should not be reused.
- Max. Inlet water pressure 1 MPa. Min. inlet water pressure 0.05 MPa.

Installation Position

⚠ WARNING:

- Children can become entangled in the packaging film or swallow small parts and suffocate. Do not allow children to play with the packaging.
 - The appliance must not be installed behind a lockable door, a sliding door or a door with a hinge on the opposite side to that of the tumble dryer, in such a way that a full opening of the tumble dryer door is restricted.
 - Do not restrict the floor clearance through deep pile carpets, strips of wood or similar. This might cause heat built-up which would interfere with the operation of the appliance.
1. It is recommended that, for your convenience, the machine is positioned close to your washing machine.
 2. Do not stack this dryer on washing machine without stacking kits. (If you want to stack this dryer on a washing machine, please purchase the independent parts. Installation shall be done by the manufacturer, its service agent or similarly qualified persons to avoid any hazards.)
 3. The tumble dryer must be installed in a clean place, where dirt does not accumulate. Air must be able to circulate freely around the appliance. Do not obstruct the front air inlet or the air intake grilles at the back of the machine.
 4. To keep vibration and noise within minimum level when the dryer is in use, it must be placed on a firm and level surface.
 5. The feet must never be removed.



SAFETY INSTRUCTIONS

Electrical Connection

- Make sure the supply cable is not trapped by the machine, or it can get damaged.
- Connect the product to a grounded outlet protected by a fuse complying with the values in the "Technical specifications" table. The grounding installation has to be made by a qualified electrician. Ensure that the machine is installed in accordance with the local regulations.
- Water and electrical connections must be carried out by a qualified technician in accordance with the manufacturer's instructions and local safety regulations.



WARNING:

- Don't use multiple plugs or extension cords.
- The appliance must not have an external switching device such as a timer or connected to a circuit that is regularly switched on and off.
- Do not pull the plug out of the mains outlet if there is flammable gas around.
- Never pull out power plug with wet hands.
- Always pull at the plug, not at the cable.
- Always unplug the appliance if it is not being used.

Water Connections

- Check the connections of the water inlet tubes, the water tap and the outlet hose for possible problems due to changes of water pressure. If the connections loosen or leak, close the water tap and get it repaired.
- Do not use the appliance before the pipes and hoses are installed properly by qualified persons.
- Glass door may become very hot during the operation. Keep children and pets far away from the machine while it is operating.
- The water inlet and outlet hoses have to be safely installed and remain undamaged.
- Otherwise, water leakage can occur.
- Do not remove the drain pump filter while there is still water in the appliance. Big quantities of water can leak out, and there is a risk of scalding due to hot water.

Operation and Maintenance

- Never use any flammable, explosive or toxic solvents. Do not use gasoline and alcohol etc. as detergents. Only select detergents that are suitable for machine washing.
- Make sure that all pockets are emptied. Sharp and rigid items such as coins, brooches, nails, screws, stones etc. may cause serious damages to this machine.
- Remove all objects from pockets such as lighters and matches before use the appliance. Thoroughly rinse items that have been washed by hand.

- Items that have been soiled with substances such as cooking oil, acetone, alcohol, petrol, kerosene, spot removers, turpentine, wax and wax removers should be washed in hot with an extra amount of detergent before being dried in the appliance.
- Items containing foam rubber (latex foam), shower caps, water proof textiles, rubber backed articles and clothes or pillows fitted with foam rubber pads should not be washed in the machine.
- Fabric softeners or similar products should be used as recommended in their instructions.
- Never try to open the door forcefully.
- The door will unlock shortly after the end of a cycle.
- Please do not close the door with excessive force. If it is found difficult to close the door, please check if the clothes are properly inserted and distributed.
- Always unplug the appliance and close the water tap before cleaning and maintenance and after each use.
- Never pour water over the appliance for cleaning purpose. Risk of electric shock!
- Repairs shall only be carried out by the manufacturer, its service agent or similarly qualified persons in order to avoid a hazard.
- The producer will not be responsible for damages caused by the intervention of not authorized persons.

Transport

- Before Transport:
 - Bolts shall be reinstalled to the machine by a specialized person;
 - Accumulated water shall be drained out of the machine.
- This appliance is heavy. Transport with care. Never hold any protruding part of the machine when lifting. The machine door can not be used as a handle.
- Move cautiously. Do not grasp any salient parts of machine. The machine door cannot be used as the handle for transport. If the dryer can't be transported erectly, the dryer can be tilted to right less than 30°.

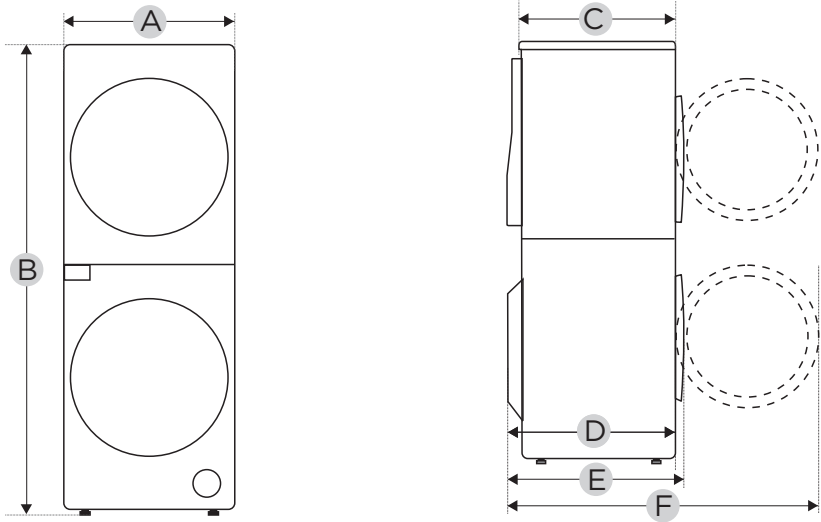
Risk of injury and damage!

Improper handling of the appliance may result in injury.

- The appliance is very heavy. Never transport or carry the appliance alone; always with the assistance of another person.
- Remove all obstacles on the transport route and from the installation location, e.g. open doors and clear away objects lying on the floor.
- Do not use the open door as a handhold.
- Remove all package material before using the appliance.
- Before setting up the tumble dryer, check it for any externally visible damage. Do not install or use a damaged tumble dryer.
- Do not install the tumble dryer in a room where there is a risk of frost occurring. At temperatures around freezing point the tumble dryer may not be able to operate properly. There is a risk of damage if the condensed water is allowed to freeze in the pump and hoses.

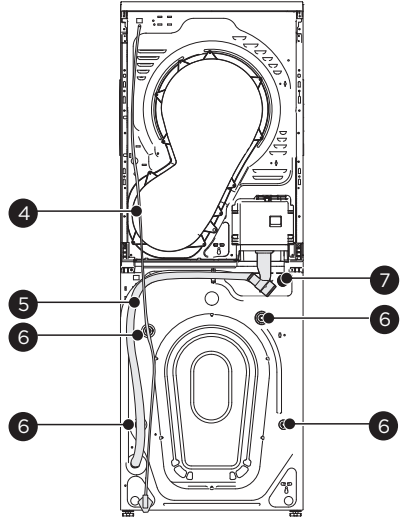
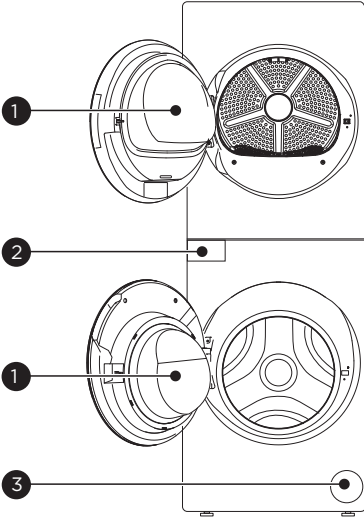
Model	Washing or Drying Capacity
ML19F100D80W-D (Dryer)	8.0 kg
ML19F100D80W-W (Washing machine)	10.0 kg

SPECIFICATIONS



Model	ML19F100D80W
Power Supply	220-240V~,50Hz
MAX. Current	10A
Standard Water Pressure	0.05MPa~1MPa
Washing Capacity	10.0kg
Drying Capacity	8.0kg
Weight	110kg
Rated Power	1950W
Dimension	
A	595mm
B	1680mm
C	525mm
Reference Dimension	
D	559mm
E	601mm
F	1103mm

PRODUCT OVERVIEW



1	Door
2	Detergent dispenser
3	Service flap
4	Power supply cord

5	Drain hose
6	Transport bolts
7	Water inlet valve

NOTE

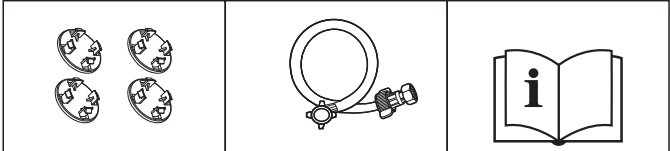
The product picture is for illustration only, please refer to real product as reference.

Accessories

4 x Cover caps

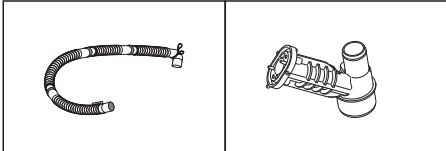
1 x Supply hose cold water

1 x Owner's manual



1 x Drain Hose Assembly

1 x tee joint



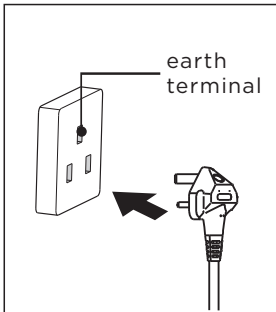
QUICK START GUIDE

CAUTION

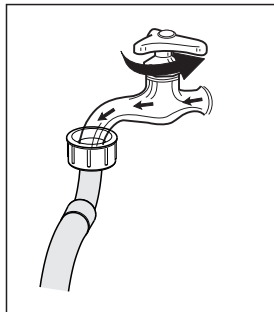
- Before washing, please make sure the machine is installed properly.
- Your appliance was thoroughly checked before it left the factory. To remove any residual water and to neutralize potential odors, it's recommended to clean your appliance before first use. For this reason, recommended to clean the inner drum by running the "Drum Clean" or other program with the optional temperature of 90°C. Be careful not to put laundry and detergent in the machine.

1. Before Washing

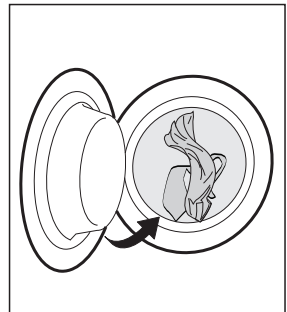
1. Plug in



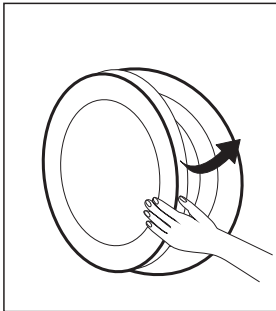
2. Open tap



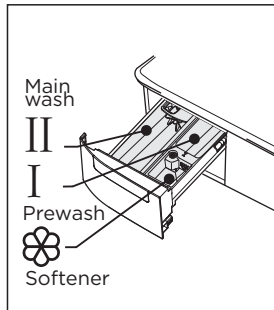
3. Load



4. Close door



5. Add detergent

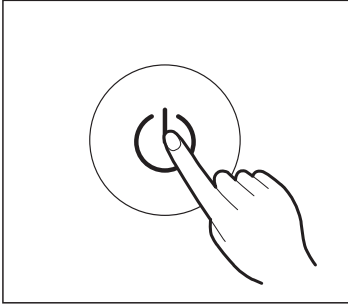


NOTE

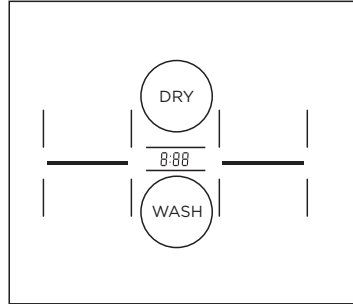
Detergent need to be added in compartment I if the pre-wash function is selected.

2. Washing or Drying

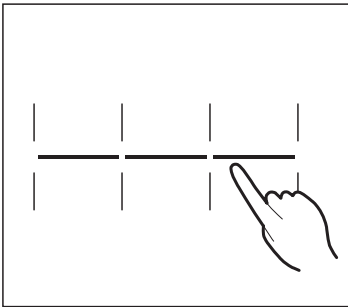
1. Power on



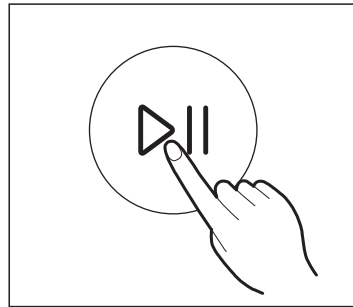
2. Select programme(WASH or DRY)



3. Select function or remain default settings



4. Press Start/Pause to start the program



NOTE

1 : If default is selected, step 3 can be skipped.

2: The function button line chart is for reference only, please refer to real product as standard.

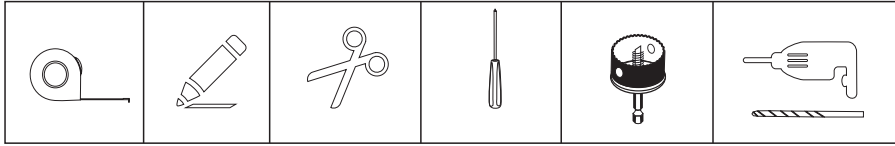
3. After Washing or Drying

Buzzer beep and "End" on display

Open the door and take out laundry, then clean the filter (dryer) and power off.

PRODUCT INSTALLATION

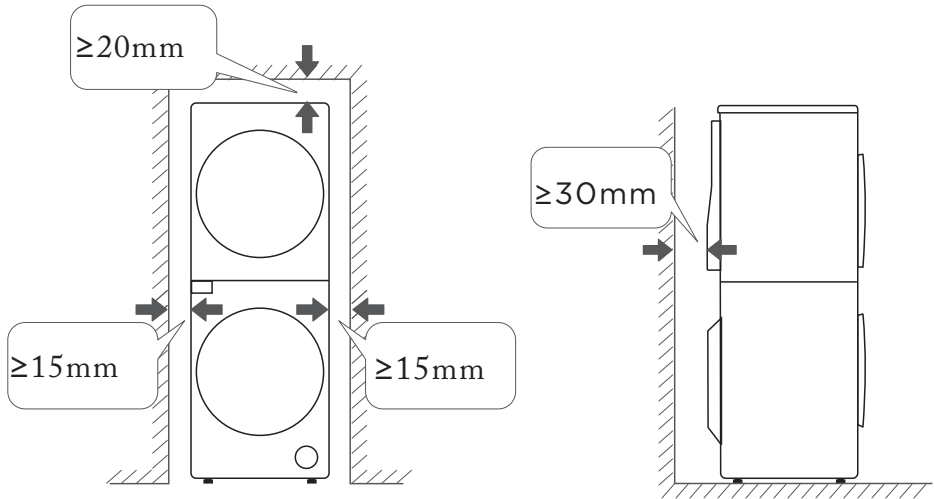
Tools Needed If Installation By Yourself (not include)



Installation Area

WARNING

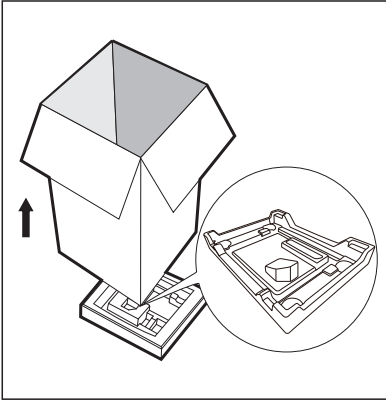
- Stability is important to prevent the product from wandering!
- Make sure the machine is standing leveled and stable.
- Make sure that the product does not stand onto the power cord.
- Make sure to maintain the minimum distances from the walls as shown in the picture.



Before installing the machine, the location characterized as follows shall be selected:

1. Rigid, dry, and level surface.
2. Avoid direct sunlight.
3. Sufficient ventilation.
4. Room temperature is above 2 °C .
5. Keep far away from the heat sources such as coal or gas burning appliances.

Unpacking the Machine



WARNING

- Packaging material (e.g. Films, Styrofoam) can be dangerous for children.
- There is a risk of suffocation ! Keep all packaging well away from children.

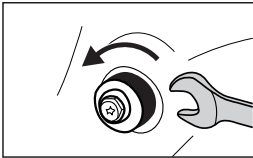
1. Remove the cardboard box and styrofoam packing.
2. Lift the machine and remove the base packaging.
3. Remove the tape securing the power supply cord and drain hose.
4. Remove the inlet hose from the drum.

Remove Transport Bolts

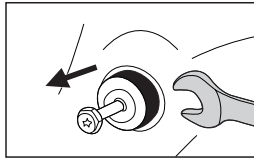
WARNING

You must remove the transport bolts from the backside before using the product.

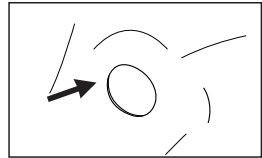
1. Loosen the 4 transport bolts with a spanner.



2. Remove the bolts including the rubber parts and keep them for future use.



3. Close the holes using the cover caps.

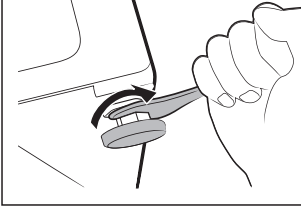


PRODUCT INSTALLATION

Levelling the Machine

WARNING

The lock nuts on all four feet must be screwed tightly against the housing.



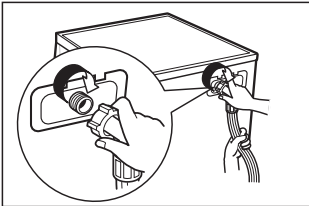
1. Loosen the lock nut.
2. Turn the foot until it reaches the floor.
3. Adjust the legs and lock the nuts with a spanner.
Make sure the machine is level using a spirit level.

Connect the Water Supply Hose

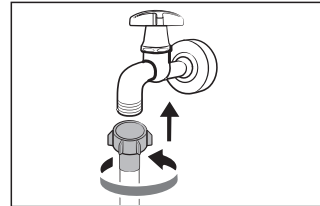
WARNING

To prevent leakage or water damage, follow the instructions in this chapter.

- Do not kink, crush or modify water inlet hose.



Connect the water supply hose to the water inlet valve and a water tap with cold water as indicated.



NOTE

- Connect manually, do not use tools. Check if the connections are tight.

Stacking Installation

Accessories

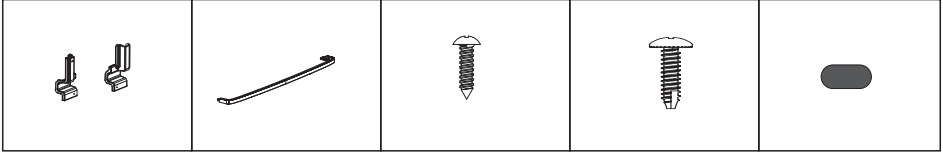
2 x Fixed Sea

1 x Handle

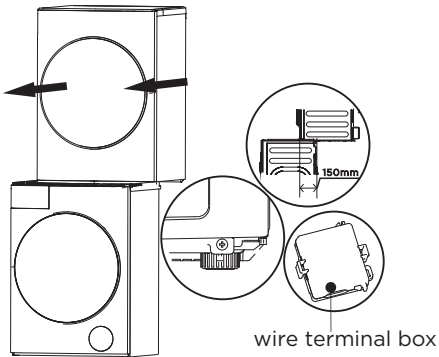
6 x ST4x16
Screws

2 x ST4.2x20
Screws

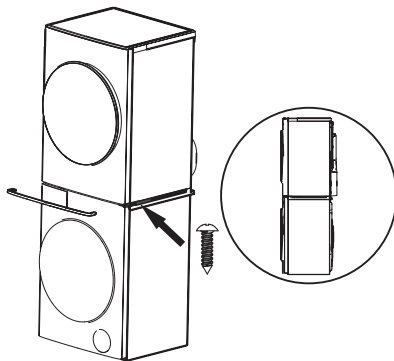
2 x Hole Stick
Screws



Installation steps:

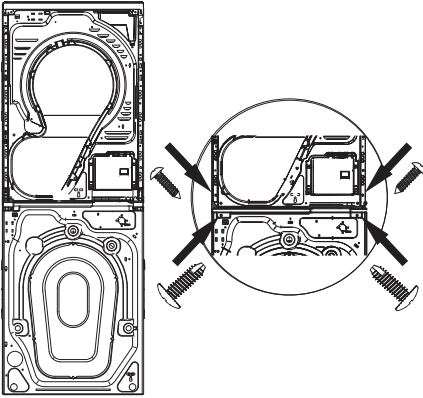


1. Lift the dryer onto the washing machine, ensuring that the front end of the dryer is 150mm away from the back end of the washing machine, and tighten the foot screws to the lowest position; Finally, connect the wire terminal box in the air and insert it into the water deflector.

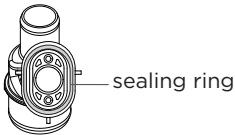


2. Align the dryer and washing machine, install the handle and secure it with 4 screws (2 on each side), and attach 2 hole stickers.

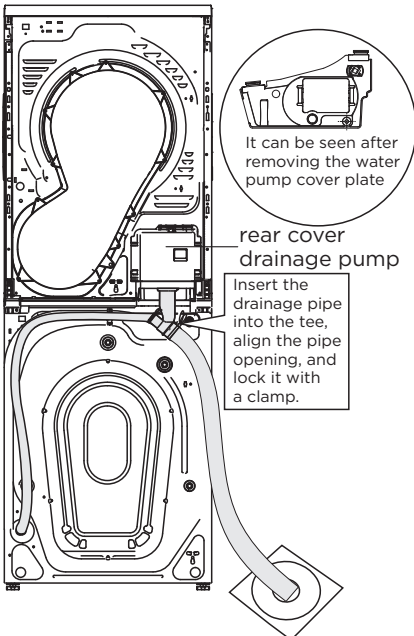
PRODUCT INSTALLATION



3.Remove the 2 screws from the dryer and install them with 4 screws. Fix the left and right fasteners and complete the installation.



4.Check if there is a sealing ring on the tee, align the pipe mouth with it, and lock it with a clamp.



5.Insert the drainage pipe into the tee, align the pipe opening, and lock it with a clamp.

6.Connect the other end of the tee to the drainage pipe on the washing machine and lock it with a clamp.

7.Remove the back cover and cover plate assembly of the dryer drainage pump.

8.Connect the sealing ring end of the tee to the bottom drainage port of the dryer, fix it with 2 stainless steel screws, and ensure that the tee is installed in place.

9.Install the cover plate assembly and the rear cover of the drainage pump back into their original positions.

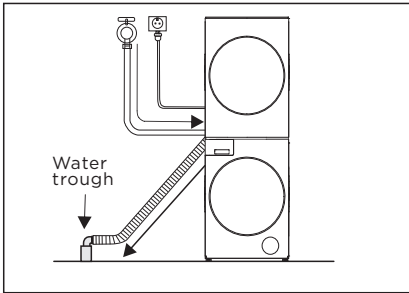
Drain Hose

WARNING

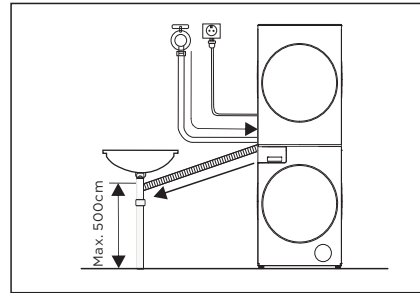
- Do not kink or protract the drain hose.
- Position drain hose properly ,otherwise damage might result in water leakage.
- It is not allowed to remove the buckle of drain pipe.

There are two ways to place the end of drain hose:

1.Put it into the water trough.



2.Connect it to the branch drain pipe of the trough.

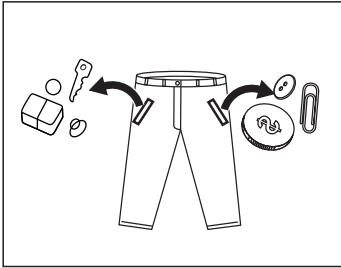


OPERATION INSTRUCTIONS

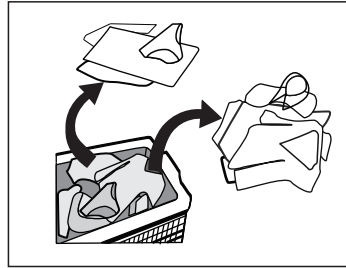
Before Each Washing

- The ambient temperature of the machine should be 5°C-40°C. If used under 0°C, the inlet valve and draining system may be damaged. If the machine is installed under freezing conditions, it should be transferred to normal ambient temperature to ensure the water supply hose and drain hose can unfreeze before use.
- Please check your laundry care labels and the detergent use instructions before wash. Use non-foaming or less-foaming detergent suitable for machine properly.

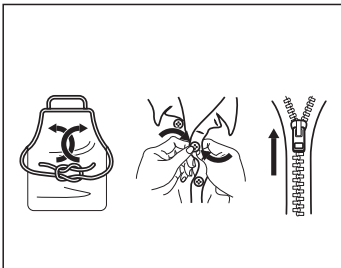
1. Take all items out of the pockets



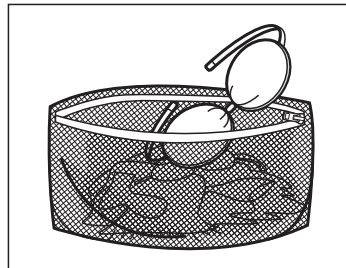
2. Sort laundry according to color and textile type



3. Tie together long textile strips and belts, close zips and button



4. Put small items into a laundry bag



WARNING

- Do not wash articles that have been cleaned in, washed in, soaked in, or dabbed with combustible or explosive substances like wax, oil, paint, gasoline, alcohol, kerosene, and other flammable materials.
- Washing single clothes items may easily create big eccentricity. Therefore it is suggested to add one or two more laundry items to the wash so that spin can be done smoothly.
- Do not wash, spin water-proof seats, mats ,or clothing.









Before Each Drying

1. Before drying, thoroughly spin the laundry in washing machine. High spin speed shortens the drying time and saves energy.
2. For uniform drying result, sort the laundry according to fabric type and select the appropriate drying programme.
3. Before drying, please close zips, hooks and eyelets, button, tie fabric belts, etc.
4. Remove all objects from pockets such as lighters and matches.
5. Sew in or remove underwiring from bras.
6. Close duvet covers and pillow cases to prevent small items from being rolled up inside them.
7. Leave jackets open and undo any long zips so that textiles dry evenly.
8. Do not over dry the clothes, because over dried clothes can easily get creases.
9. Do not dry the articles containing rubber or similar elastic materials.
10. Keep the area around the tumble dryer clean. Coal dust or flour may cause an explosion.
11. The door shall be opened only after the programme of the tumble dryer is finished to avoid being scalded by hot steam or over heated drying machine.
12. Clean the lint filter and empty water container after each use to avoid extension of drying time and increase of energy consumption.
13. Do not dry clothes after dry-clean process.

NOTE

- Leave it to stand for 2 hours after transporting. Before first use, please use the soft fabric to clean the inside drum.





The reference weight of dry clothes (weight per item)

 Sweater (mixed 800g)	 Jacket (cotton 800g)	 Jeans (800g)	 Bath Towel (cotton 900g)	 Single bedsheet (cotton 600g)
 Work clothes (1120g)	 Pyjamas (200g)	 Shirt (cotton 300g)	 T-Shirt (cotton 180g)	 Underwear (cotton 70g)
				 Socks (mixed-weave 50g)

NOTE

- Do not put more load than rated.
- Do not dry dripping wet laundry. The dryer might get damaged.

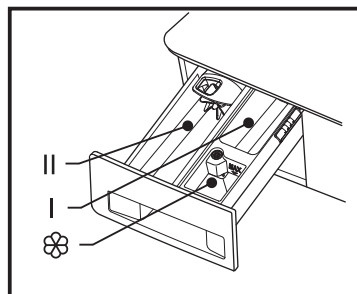
Only dry laundry suitable for tumble drying. Regard the laundry care labels:

-  Suitable for tumble drying
-  Normal drying process: Drying in the tumbler is possible under normal load and temperature 80°C.
-  Mild drying process: Caution is appropriate when tumble drying. Select mild process with reduced thermal action.
-  Do not tumble dry: Articles unsuitable for drying in the tumbler.

OPERATION INSTRUCTIONS

Detergent Dispenser

- I Pre wash detergent
- II Main wash detergent
- ☼ Softener



Pull out the dispenser

CAUTION

- To prevent powder detergent from remaining in the dispenser under low water pressure, add the powder detergent into the Container, then put it into the drum.
- Detergent only need to be added in "case I "after selecting pre-washing for machines with this function.

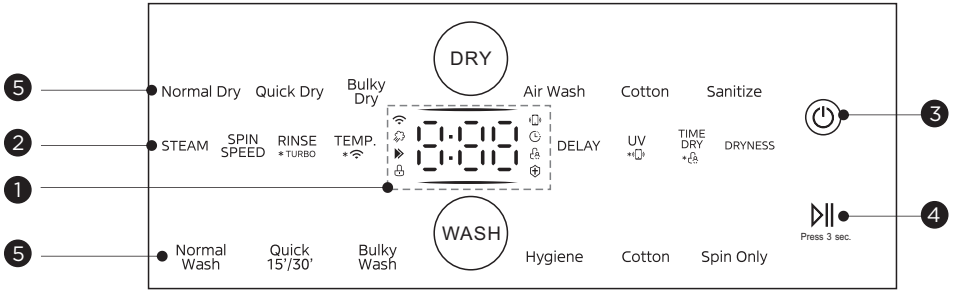
Programme	I	II	☼	Programme	I	II	☼
Normal Wash		●	○	Shirts		●	○
Quick 15'/30'		●	○	Drum Clean			
Bulky Wash		●	○	Down Jacket		●	○
Hygiene		●	○	Wool		●	○
Cotton		●	○	Soak		●	○
Spin Only				Outdoor		●	○
Rinse&Spin			○	Towel		●	○
Baby Care		●	○	Jeans		●	○

● Means must ○ Means optional

NOTE

- As for the agglomerated or ropy detergent or additive, before they are poured into the detergent box, it is suggested to use some water for dilution to prevent the inlet of detergent box from being blocked and overflowing while filling water.
- Please choose suitable type of detergent for the various washing temperature to get the best washing performance with less water and energy consumption.

Control Panel



1 Display

The display shows the setting, estimated program time remaining and status messages of your machine.

2 Option

These buttons are used for setting additional functions.

3 On/Off

Product is switched on or off.

4 Start/Pause

Press the button to start or pause the cycle.

5 Program

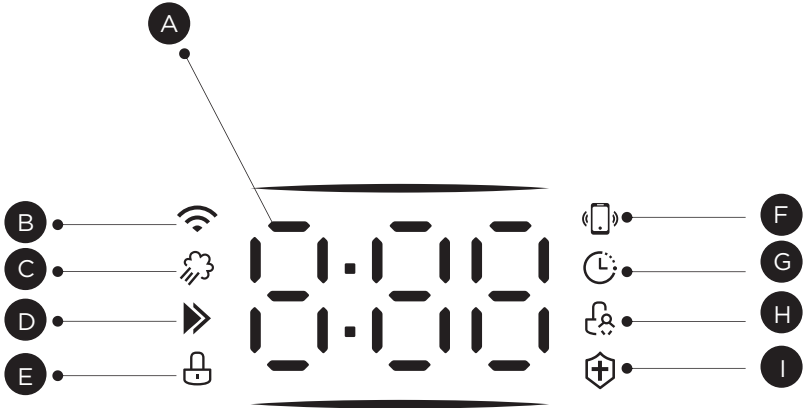
Different drying cycles can be selected according to the users need and the type of laundry to be dried.

NOTE

- The Chart is reference only, please refer to real product as standard.

OPERATION INSTRUCTIONS

Display



A Display

1:25	Wash/Dry Time
2H	Delay Time
400	Speed
End	End
E30	Error
30	Temp.

- | | |
|---------------------------|------------------------|
| B Wireless Network | C Steam |
| D Turbo | E Door Lock |
| F Mote Control | G Delay |
| H Child Lock | I Sterilization |

Programmes

NOTE

- The following program includes cloud programs, which need to be downloaded from the SmartHome app after network configuration.

WASH Programmes

Programme	Load(kg)	Display Time
	10.0	
Normal Wash	10.0	0:58
Quick 15'/30'	2.0	0:15/0:30
Bulky Wash	10.0	1:48
Hygiene	5.0	2:39
Cotton	10.0	1:28
Spin Only	10.0	0:12
Rinse&Spin	10.0	0:20
Baby Care	8.0	1:20
Shirts	5.0	1:00
Drum Clean	--	1:18
Down Jacket	2.0	1:27
Wool	2.0	1:03
Soak	10.0	2:04
Outdoor	5.0	1:20
Towel	5.0	1:20
Jeans	10.0	1:35

NOTE

- The parameters in this table are only for user's reference. The actual parameters maybe different with the parameters in above mentioned table.

OPERATION INSTRUCTIONS

Programmes are available according to the laundry type.

Programmes	
Normal Wash Quick 15'/30'	Mixed load consisting of textiles made of cotton and synthetics. Extra short programme approx, suitable for lightly soiled washing as a small amounts of laundry.
Bulky Wash	This program is specially designed for washing Bulky.
Hygiene	Washing machine can kill some bacterium, and achieve hygiene effect.
Cotton	Hard-wearing textiles, heat-resistant textiles made of cotton or linen.
Spin Only	Spins and drains the water.
Rinse&Spin	Rinses and then spins the laundry, and then drains the water.
Baby Care	Washing the baby's clothes, it can make the baby's wear cleaner and make the rinse performance better to protect the baby skin.
Shirts	Especially for washing the Shirts.
Drum Clean	Specially set in this machine to clean the drum and tube. It applies 90 °C high temperature sterilization to make the clothes washing more green. When this programme is performed, the clothes or other washing cannot be added. When proper amount of chlorine bleaching agent is put in, the barrel cleaning effect will be better. The customer can use this programme regularly according to the need.
Down Jacket	Suitable for down clothing, such as down jackets, down vests, down pants, thin down comforters, etc.
Wool	Hand or machine-washable wool or richwool textiles. Especially gentle wash program to prevent shrinkage, longer program pauses (textiles rest in wash liquor).
Soak	Soak the clothes for a while before washing.
Outdoor	For outdoor clothes, skiwear, and sportswear that are made of functional materials such as spandex, stretch, and micro-fibre.
Towel	Suitable for washing towels, bath towels and other heavy loads
Jeans	Specially for jeans.

NOTE

- Energy test program: Cotton .

















DRY Programmes

Programmes	
Normal Dry	For mixed fabrics from cotton and synthetics, the max load is 3.5kg.
Quick Dry	To dry delicate laundry that is suitable for drying or laundry which is advised to be hand-washed at a lower temperature, the max load is 0.6kg.
Bulky Dry	To dry bed linen, bed sheets or other large items, the max load is 4.0kg.
Air Wash	For single or multi-layer cotton laundry to be dried completely for direct storage, the max load is 0.5kg.
Cotton	Hard-wearing textiles, heat-resistant textiles made of cotton or linen, the max load is 8.0kg.
Sanitize	To remove mite for the clothes kept at closed environment for a long time, the max load is 4.0kg.
Shirts	For easy care laundry, such as shirts and blouses equipped with anti-crease functionality to minimize the ironing effort. Place clothes loosely in the dryer. Once dried, remove quickly and hang it on a clothes hanger, the max load is 1.0kg.
Wool	Used for fluffy wool products, please do not use for drying, the max load is 1.0kg.
Jeans	To dry jeans or leisure clothes that are spun at high speed in the washing machine, the max load is 4.0kg.
Baby Care	To dry small amount of baby clothing, the max load is 1.0kg.
Time Dry	To dry individual items or complete the drying process of multi-layer fabrics with different drying behavior, such as jackets, pillows or voluminous items. Min 10 min. to max. 180min.(in 10 min. steps)
Outdoor	Suitable for washing sportswear, such as sportswear, training pants, functional clothing, sports fabrics, etc. , the max load is 3.0kg.
Down Jacket	Suitable for down clothing, such as down jackets, down vests, down pants, thin down comforters, etc. , the max load is 1.5kg.
Towel	To dry thick or multi-layered cotton fabrics, the max load is 3.0kg.
Warm	To dry individual items or complete the drying process of multi-layer fabrics with different drying behavior, such as jackets, pillows or voluminous items. Min. 10min to max. 150min (in 10min steps), the max load is 1.0kg.
Cool	To air items without heating. Min. 10min to max. 30min(in 10min steps).

OPERATION INSTRUCTIONS

Option

WASH Option

Cycle	Default Temp.(°C)	Default spin speed(rpm)	Additional functions
Normal Wash	40	800	 STEAM TURBO
Quick 15'/30'	Cold	800	
Bulky Wash	40	800	 STEAM TURBO
Hygiene	60	800	 STEAM
Cotton	40	800	 STEAM TURBO
Spin Only	--	1000	
Rinse&Spin	--	1000	
Baby Care	30	800	 STEAM TURBO
Shirts	30	800	 STEAM TURBO
Drum Clean	90	--	
Down Jacket	40	800	
Wool	30	800	
Soak	40	800	
Outdoor	40	800	
Towel	40	800	
Jeans	30	800	

NOTE

- Energy test program: Cotton 60° C ; Speed:1400rpm; Other as the default.
- The table shows which cycle offers which options for adjustment. If an adjustment is not possible for a cycle.



STEAM

Steam is the function added before main wash, which will generate warm steam to sterilization and greater washing performance.



SPIN SPEED

When needed, the spinning speed can be adjusted pressing the Speed button in the following steps: 1400: 0-400-600-800-1000-1200-1400.



RINSE

The laundry will undergo an extra rinse after selecting this function.



TEMP.

When needed, the washing temperature can be adjusted by pressing the temperature button in the following steps:
Cold - 20°C - 30°C - 40°C - 60°C - 90°C.



TURBO

Press [^{RINSE}_{*TURBO}] button for 3 seconds to turn on the turbo function. The function can decrease the washing time..



Wireless Network

Methods to turn on the Wireless Network function

1. Press [^{TEMP.}_{Wi-Fi}] button for 3 seconds to turn on the Wireless Network function, it can also configure the network or reset the network.

Methods to turn off the Wireless Network function
unplug the appliance.

NOTE

- The detail of connect Wireless Network , pls check “ APP SETUP AND OPERATION ” .



DELAY

1. Select a program
2. Press the Delay button to choose the delaying time 0-24H
3. Press [Start/Pause] to start the delay operation

To cancel the Delay function, press the “Delay” button before starting the program until the display shows 0 H. If the program has already started, switch the appliance off and afterwards on and select a new program.

OPERATION INSTRUCTIONS



REMOTE CONTROL

This is the switch of remote control, if you want to use your smartphone to control the appliance remotely, you need to hold [UV/☰] 3 seconds.

Considering the safe operation of appliance, the smartphone remote control should meet the following conditions:

1. The appliance should connect to the internet;
2. The door of drum should be closed.

Remark:

- . If the door is open in anytime, the remote control function will be failure.
 - . The remote control function is turned off at the end of each cycle automatically, if you want to use remote control function again, you need turn on it again.
-



* WATER LEVEL

Press the button to change the water level : Auto/L1/L2/L3/L4.



* WASH TIME

Press the button to change the washing time.



* SPIN TIME

Press the button to change the spinning time.



NOTE

- * Fuction can be set in App.



CAUTION

Some programs have automatically added Auto Clean or Steam Care functions, these two functions can't be manually selected or canceled.

DRY Option



DELAY

This function is used for delaying the start of the drying programme up to 24 hours. When the delayed programme starts, the time starts to countdown on the display.

1. Load your laundry and make sure the machine door is closed.
 2. Press the [On/Off] button, then use the programme selector knob to select the desired programme.
 3. Press the [Delay] button.
 4. Repeatedly press the [Delay] button to select the desired delay time.
 5. After the [Start/Pause] button is pressed, the Dryer is at the running condition. The drying procedure will be automatically performed when the delay time is over.
 6. If you press the [Start/Pause] button again, the delay function will be paused.
 7. If you want to cancel the [Delay] function, please press the [⏻] button.
-



UV

After selecting the program, you can select the "UV sterilization" function according to your needs. Long press for 3 seconds to select this function, and then long press to cancel.

After selecting the [Normal Dry] , [Cotton] , [Shirts] , [Jeans] , [Baby care] , [Bulky dry] , [Outdoor] , [Towel] programs, the machine also sterilizes the clothes during the drying process, making them cleaner and safer.

Be cautious when using lightweight and fine material clothing.



TIME DRY

When the [Time Dry] , [Cool] , [Warm] , [Quick Dry] , [Air Wash] , [Down Jacket] programme is selected, the [Time Dry] button can be used to adjust the drying time in 10 min. steps.



DRYNESS

You can adjust the dryness level of the laundry by pressing the [Dryness] button.

1. The Dryness function can be activated only before the programme starts.
 2. Press the [Dryness] button repeatedly to adjust the drying grade.
 3. Except the [Quick Wash] , [Air Wash] , [Sanitize] , [Wool] , [Time Dry] , [Warm] , [Cool] , [Down Jacket] programme, all the other programmes can be adjusted with the [Dryness] function.
-



CHILD LOCK

1. This machine incorporates a special child safety lock, which can prevent children from carelessly pressing buttons or making the faulty operation.
 2. When the drying cycle is running, press the [TIME DRY] and [⏻] buttons at the same time for 3 seconds to activate child lock function.
 3. When child lock function is set, the display will show Child lock icon and all button are deactivated, except [⏻] button.
 4. To deactivate the child lock function, the [TIME DRY] and [⏻] buttons shall be pressed at the same time for 3 seconds.
-

APP SETUP AND OPERATION

Use Your Appliance With the SmartHome App

Before you start, make sure that:

1. Your smartphone is connected to home wireless network, and you know the network password.
2. Make sure you are near the home appliance.
3. The 2.4GHz band wireless signal is enabled on your wireless router.

Follow the below steps to enter the remote control state

Download the SmartHome App

On an app market (Google Play Store, Apple App Store), search for "SmartHome*" and find the SmartHome app. Download and install it on your phone. You can also download the app by scanning the QR code below.



Register and Log In

Open the SmartHome app, and create a new account to start (you can also register through a third-party account). If you already have an existing account, use the account to log in.




Connect Your Devices to SmartHome

1. Please make sure your mobile phone is connected to a wireless network. If it is not, go to settings and enable wireless networks and bluetooth.
2. Please power on your devices.
3. Open SmartHome app on your phone.
4. If a message of "Smart devices discovered nearby" appears, click to add.
5. If no message appears, select "+" on the page and select your device in the list of nearby devices available. If your device is not listed, please add your device manually by the device category and device model.
6. Connect your device to the wireless network according to instructions on app. If the connection fails, please follow the instructions provided by the app to continue with the operation.



Start the Remote Control

Rotate the knob randomly to indicate one of the programs, and press [] continuously until the remote control icon light up in the knob display, which means it has entered the remote control state and you can start to control remotely.

Wireless Network Status Light

Slowly flashing	Waiting for connection
Quickly flashing	Connecting
Quickly flashing solid	Connected to your wireless router

NOTE

1. Make sure your devices are powered on.
2. Keep your mobile phone close enough to your device when you are connecting your device to the network.
3. Connect your mobile phone to the wireless network at home, and make sure you know the password of the wireless network.
4. Check if your wireless router supports 2.4 GHz band and turn it on. If you are not sure whether the router supports 2.4 GHz band, please contact the router manufacturer.
5. The device cannot connect to the wireless network that requires authentication, and it usually appears in public areas such as hotels, restaurants, etc. Please connect to a wireless network that does not require authentication.
6. Turn off the WLAN+ (Android) or WLAN Assistant (iOS) function of your mobile phone when connecting your device to the network.
7. In the case that your device connected to a wireless network before but it needs to reconnect, please click "+" on the app Home page, and add your device again by the device category and model according to the instructions on app.

CLEANING AND MAINTENANCE

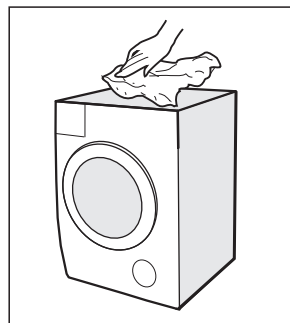
Cleaning and Care

WARNING

- Always unplug the appliance and close the water tap before cleaning and maintenance.

Cleaning the Cabinet

Proper maintenance on the machine can extend its working life. The surface can be cleaned with diluted non-abrasive neutral detergents when necessary. If there is any water overflow, use a towel to wipe it off immediately. Never use sharp items to clean the appliance.



CAUTION

- Never use abrasive or caustic agents. Such as formic acids or its diluted solvents or similar substances, like alcohol or chemical products.

Cleaning the Drum

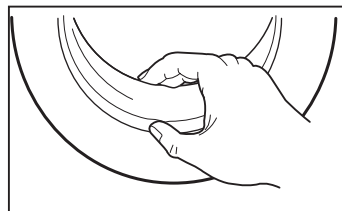
Any rust stains left inside the drum by metal articles must be removed immediately using chlorine-free detergents. Never use steel wool for cleaning the drum!

NOTE

- Keep any laundry away from the machine while cleaning the drum.

Cleaning the Door Seal and Glass

Wipe the glass and seal after each wash to remove lint and stains. If lint builds up it can cause leakages. Remove any coins, buttons and other objects from the seal after each wash. Clean the door seal and glass every month to ensure the normal operation of the appliance.

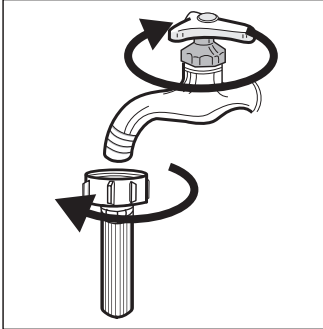


Cleaning the Inlet Filter

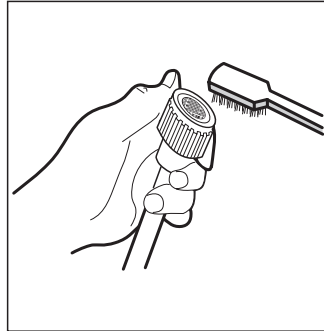
NOTE

- Diminishing water flow is a sign that the filter needs to be cleaned.

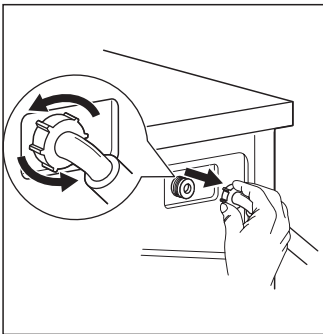
1. Close the tap and remove the water supply hose from it.



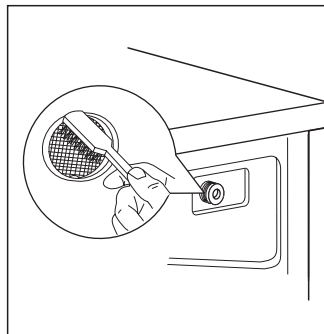
2. Clean the filter with a brush.



3. Unscrew the water supply hose from the backside of the machine.
Pull out the filter with long nose pliers.




4. Use a brush to clean the filter.



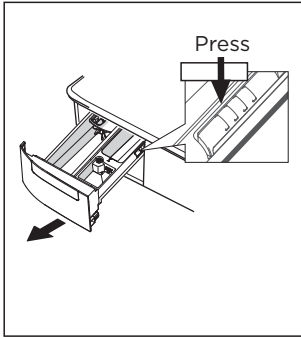
5. Reinstall the filter to the water inlet and reconnect the water supply hose.
6. Clean the Inlet filter every 3 months to ensure the normal operation of the appliance.

CLEANING AND MAINTENANCE

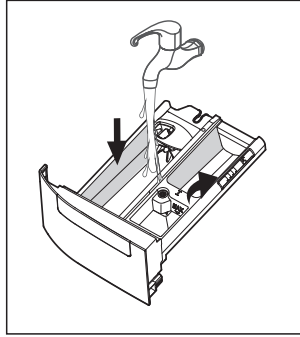
Cleaning the Detergent Dispenser

1. Press down the release [] on the softener cover and pull the dispenser drawer out of the recess. Clean the inside of the recess with a brush.
2. Lift the softener cover off the dispenser drawer and wash both items with water.
3. Restore the softener cover and push the drawer back into the recess.

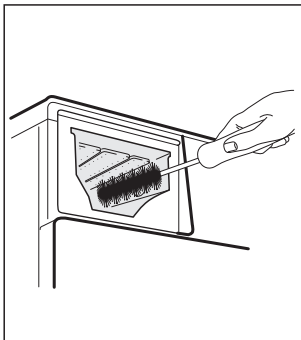
1. Press the release and remove the dispenser drawer



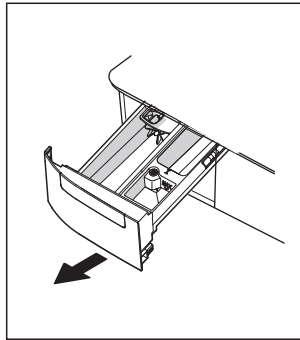
2. Clean the dispenser drawer and the softener cover under water



3. Clean the recess with a soft brush



4. Insert the dispenser drawer



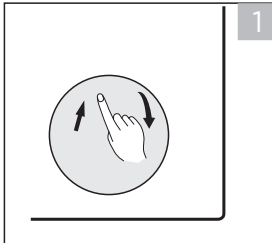
NOTE

- Do not use abrasive or caustic agents to clean plastic parts.
- Clean the detergent dispenser every 3 months to ensure the normal operation of the appliance.

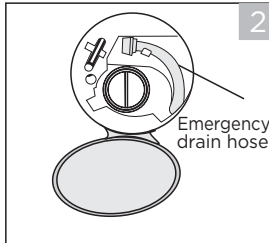
Cleaning the Drain Pump Filter

WARNING

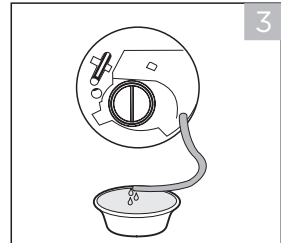
- Make sure that the machine has finished the washing cycle and is empty. Switch it off and unplug it before cleaning the drain pump filter.
- Be careful of hot water. Wait for water cooling down. Risk of scalding!
- Clean the filter periodically every 3 months to ensure the normal operation of the appliance.



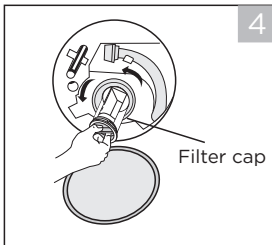
1
Open the lower cover cap



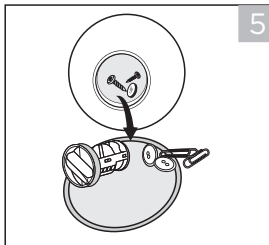
2
Pull out the emergency drain hose, and take off the hose cap



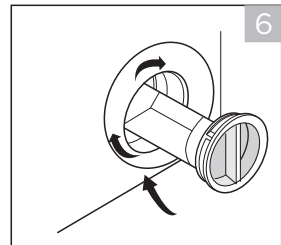
3
After water runs out, reset the drain hose



4
Open the filter by turning to the counter clockwise



5
Remove extraneous matter



6
Carefully reinsert the filter and screw the lower cover cap in clockwise

CAUTION

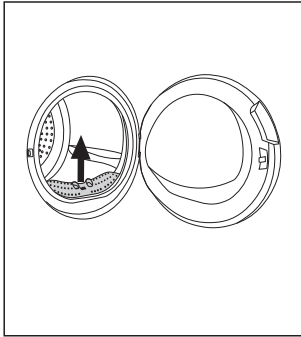
- Make sure that valve cap and emergency drain hose are reinstalled properly, cap plates should be inserted aligning to hole plates otherwise water may leak.
- Some machines don't have emergency drain hose, so step 2 and step 3 can be skipped. Rotate lower cover cap directly to make water run into basin.
- When the appliance is in use and depending on the programme selected there can be hot water in the pump. Never remove the pump cover during a wash cycle, always wait until the appliance has finished the cycle, and is empty. When replacing the cover, ensure it is securely re-tightened.

CLEANING AND MAINTENANCE

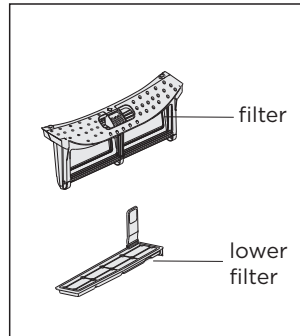
Cleaning the Dryer Filter

This dryer has a primary door lint filter.
Make sure you clean the door filter after each cycle.

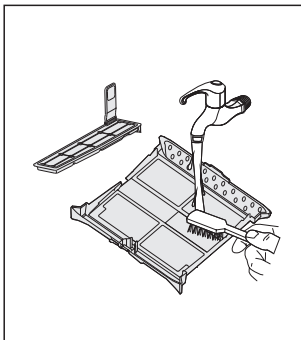
1. Open the door and take out the door filter



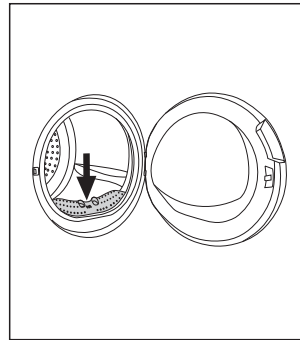
2. Open the filter



3. Remove the fluff on the filter screen, You can clean it in running water



4. Dry the door filter thoroughly before installing it back



NOTE

- Take notice of the correct orientation before to insert the door filter.
- The lower filter does not need to be cleaned every time. Depending on usage, it is recommended to clean it once a month.

TROUBLE SHOOTING

Whenever there is a problem with the appliance, check if you can solve it following the tables below. If the problem persists, please contact the customer service.

WASH TROUBLE SHOOTING

Description	Possible Cause	Solution
Appliance does not start	Door is not closed properly. Clothes are stuck.	Close the door properly and restart. Check the laundry.
Door can't be opened	Safety protection is activated.	Disconnect the power and restart.
Water leakage	Connections are not tight enough.	Check and fasten the water inlet pipe. Check and clean the outlet hose.
Detergent residues in the detergent dispenser	Detergent is damp and/or clotted.	Clean and wipe the detergent dispenser dry.
Indicator or display does not work	PC board or harness have connection problems.	Switch off the power and check if the mains plug is connected properly.
Abnormal noise	Fixing bolts are still in place. Floor is not solid or level.	Check if the fixing bolts have been removed. Make sure the appliance is installed on a solid and level floor.

Error Codes

Description	Possible Cause	Solution
E30	Door is not closed properly.	Close the door properly and restart.
E10	Water injecting problem during wash cycle.	Check if the water pressure is high enough. Straighten the water pipe. Clean the inlet valve filter.
E21	Overtime water draining	Check the drain hose for blockage.
E12	Water overflow	Restart the appliance.
EXX	Others	Restart the appliance. If problem persists, please contact the customer service.

DRY TROUBLE SHOOTING

Description	Possible Cause	Solution
The machine door automatically opens	Door is not closed properly or there are too many clothes placed inside	Press and hold the door handle to lock the door in the corresponding position .Remove too much clothing and close the door again
Door can't be opened	Safety protection is activated.	Disconnect the power and restart.
Indicator light or display screen does not light up	Power outage, computer board failure, wiring harness connection failure	Check if there is a power outage and correctly plug in the power plug
Poor drying effect	Unclean filter screen No suitable dryer program selected Putting too much clothing in Clothing containing composite fabrics, such as assault jackets“	Clean the filter screen Choose the appropriate drying procedure When putting clothes in, do not exceed the maximum amount of clothes in the corresponding program, turn the inside out of the clothes and dry them
Excessive drying time	Clothing is too damp The automatic drying program automatically adjusts the drying time based on the humidity of the clothes“	After dehydration, shake off the clothes before putting them into the dryer

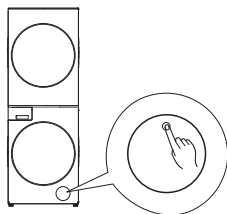
Error Codes

Description	Possible Cause	Solution
E30	Door is not closed properly	Close the door properly and restart.
E33	Temperature sensor error	Pull out the plug from the socket.
E82	PCB communication error	Please contact your local service center if the problem occurs.
E20	Water pump failure or water level sensor failure	
EXX	Others	

TROUBLE SHOOTING

Emergency door

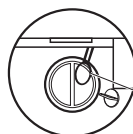
In case of power outage or other situations where the door cannot be opened normally and needs to be opened, please pull down the emergency door opening rope. After opening the door, please restore the emergency door opening rope.



Unplug the power plug, lightly press the filter door to automatically pop out



Please drain the water before opening the emergency door. Only when the water level in the upper cylinder is lower than the clothing input port in the lower cylinder can the emergency door be opened



emergency door pull rope

Pull down on the emergency opening rope of the corresponding cylinder to emergency open the door of the washing machine



CAUTION

- Before operation, please turn off the power and unplug the power plug.
- Do not use this drawstring during normal washing. In case of emergency use, it is recommended to drain the water level below the mouth of the washing machine barrel and wait for the water to cool before opening it to avoid the risk of burns caused by excessive residual water in the barrel and high temperature flowing out.

Freezing and anti freezing treatment

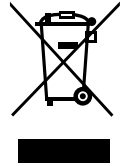
The optimal operating environment for this machine is (2-40) °C. If used in an environment below 2 °C, it may damage the waterway system; If the machine has just returned to an indoor environment of 2 °C or below, it should be left to stand for a day until the ice melts before use.

DISPOSAL AND RECYCLING

Important Instructions for Environment

Compliance with the WEEE Directive and Disposing of the Waster Product:
This product complies with EU WEEE Directive (2012/19/EU). This product bears a classification symbol for waster electrical and electronic equipment (WEEE).

This symbol indicates that this product shall not be disposed with other household wastes at the end of its service life. Used device must be returned to official collection point for recycling of electrical electronic devices. To find these collection systems please contact to your local authorities or retailer where the product was purchased. Each household performs important role in recovering and recycling of old appliance. Appropriate disposal of used appliance helps prevent potential negative consequences for the environment and human health.



Compliance with RoHS Directive

The product you have purchased complies with EU RoHS Directive (2011/65/EU). It does not contain harmful and prohibited materials specified in the Directive.

Package Information

Packaging materials of the product are manufactured from recyclable materials in accordance with our National Environment Regulations. Do not dispose of the packaging materials together with the domestic or other wastes. Take them to the packaging material collection points designated by the local authorities.



In case of questions, please contact our local customer service center.

WARNING

Risk of electric shock

- Never try to repair an appliance which is defective or presumed to defective. You may put your own and future users' lives in danger. Only authorised specialists are allowed to carry out this repair work.
- Improper repair will void the warranty and subsequent damages can't be recognized!

Transport

IMPORTANT STEPS WHEN MOVING THE APPLIANCE

- Unplug the appliance and close the water inlet tap.
- Check if the door and the detergent dispenser are closed properly.
- Remove the water inlet pipe and the outlet hose from the house installations.
- Let the water drain completely from the appliance (see "Cleaning the Drain Pump Filter")
- Important: Re-install the 4 transport bolts in the back of the appliance.
- This appliance is heavy. Transport with care. Never hold any protruding part of the machine when lifting. The machine door can not be used as a handle.



make yourself at home