



型號：MM720CJ5

微波爐使用說明書



在使用本微波爐之前請您仔細閱讀此說明書，并請妥善保存。

請小心保存好此使用說明書。

本手冊僅供參考，信息已仔細核對，如有錯漏，以廠房生產規格為準。如有任何爭議，台灣美芝消費電器股份有限公司保留最終決定權

避免可能暴露在過量微波能量下的預防措施：

- (a) 不要企圖在打開爐門狀態下運行該微波爐，否則有可能因接觸到微波能量而受傷害。切記不要使安全聯鎖失效或亂弄安全聯鎖。
- (b) 不要在微波爐正面和爐門之間放置任何物體，或任污物或清潔劑殘餘物聚集在密封面上。
- (c) 如果微波爐門或爐門襯墊已損壞，請不要使用。除合格的維修人員之外，任何人不得調節或修理微波爐。

產品規格

型號：	MM720CJ5
額定電壓：	110V~60Hz
微波輸入功率：	1050 W
微波輸出功率：	700 W
爐腔容量：	20L
轉盤直徑：	∅ 255 mm
微波爐尺寸：闊×高×深	440x259x340mm
淨重：	約10.7kg

重要的安全說明和警告

1. 警告：請不要把液體和其它食物放在密閉的容器中加熱，否則可能引發爆炸。
2. 該器具僅僅由合格的維修技術人員維修。檢查、修理或調節本微波爐時，請聯系客戶服務中心。
3. 警告：祇有當孩童已獲得正確使用的指導，能夠正確使用並理解使用不當可能造成危害的情況下，才能在無大人監督下單獨使用微波爐。
4. 正如其它各種電器一樣，當由孩童操作本微波爐時，必須有大人從旁指導使用。
5. 只使用微波爐可用容器。
6. 爐子要經常清洗，任何食物殘留都要清理掉。
7. 在使用器具之前閱讀全部使用指南。
8. 在塑料或在紙質容器中加熱食物時，要留孔以避免可有引起着火。
9. 如觀察到有煙時，斷電，關閉爐門，以熄滅火焰。
10. 烹調食物的時間不可過久。在微波爐內烹調食物時，如果食物採用紙張、塑料、或其他的易燃性材料以便於烹時，必須小心操作。
11. 不得在微波爐內存放物品。不要在微波爐內存貯易燃物品，比如面包、小甜點、紙品等。如果雷電擊中電源綫，微波爐可能自行開啓。
12. 在將紙質或塑料質地的食物容器（或包裝袋）放置入微波爐內腔之前，需先將包裝打結帶和金屬物柄取下。
13. 安裝或擺放該微波爐時，必須遵照安裝說明的步驟嚴格執行。
14. 有些產品，比如：未剝殼的堅果類、摻有油或脂肪的水、密封的容器和封閉玻璃罐等，可能會在微波爐內引起爆炸，因此不能在微波爐內加熱這些物品。
15. 使用本微波爐時，祇能按照操作手冊上規定的用途進行使用。不得在本微波爐之內使用任何具有腐蝕性化學制劑或蒸汽。本微波爐專為加熱或烹調食物面設計。它不可以用做工業用途或實驗室操作。
16. 如果微波爐的電源綫或電源插頭損壞時，不得使用本微波爐。微波爐發生故障、機體受損或跌落地下後，也不得使用。
17. 請不要在戶外存貯或使用器具。
18. 請不要接近水源，或接近洗碗槽，或在濕地下室之內或接近游泳池使用微波爐。
19. 當爐子運行時，可接近表面的溫度可能很高。保證電源綫遠離受熱的表面，並不能覆蓋爐子的任何通風口。
20. 請不要讓電源綫懸在桌子或檯面的邊緣。
21. 不保持爐子清潔可能導致表面破損，可能影響使用壽命，可能造成危害。
22. 在微波爐內加熱嬰兒奶瓶或嬰兒食品罐時，要在使用前攪拌或搖動，並試試溫度合不合適以避免燒傷。
23. 為了防止熱液體和飲料的滯後暴沸或燙傷人體，在放置容器之前請攪動液體並且在烹調期間再一次攪動。讓容器在微波爐內放置一小段時間並且在拿走容器之前再一次攪動。

24. 如果無人監督他們以保證安全，微波爐不要讓孩童、行動不靈活的人、感官和神經有缺陷的人，或缺乏經驗的人使用。
25. 孩童應被監督以確保他們不玩弄微波爐。
26. 除非特別指出可以放在廚櫃裏，否則不要把微波爐放在廚櫃裏使用。
27. 微波爐不能使用其它計時器或遙控系列進行操作。
28. 微波爐背面需靠牆放置。

接地安裝指引

危險

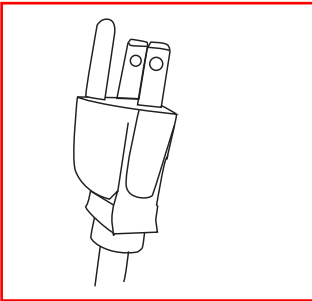
觸電危險

觸及一些微波爐各部元件可導致嚴重的人身傷害或死亡。請不要拆卸該微波爐。

警告

觸電危險

接地不當可導致觸電。在微波爐正確安裝和接地之前，不要把電源插頭插入插座。



正確分極和接地插座

該器具必須接地處理。如果電源短路，接地裝置提供了電流逃逸的綫路從而減少了觸電的危險。該器具安裝帶有接地插頭的接地導綫。電源插頭必須插入正確安裝和接地的電源插座。如果不完全明白接地指引或對器具是否正確地接地存在疑惑，請諮詢合格的電工或維修人員。如果必須使用延長電綫，僅使用有3腳接地電源插頭的3綫延長電源綫和配合器具插頭的3孔插孔。

1. 使用較短電源綫以減少由較長的電綫造成纏住或絆倒的危險。
2. 如果使用長電綫配件或延長電綫，請遵循以下指引：
 - 1) 電綫配件或延長電綫的標記額定電功率應該至少和器具的額定電功率相同。
 - 2) 延長電綫必須是一接地型3綫電綫。
 - 3) 比較長的電綫應該放好，避免懸掛在檯面或桌面上，以防止孩童無意的拉動或被絆倒。

微波爐用具的選擇

警告

人身傷害危險

緊閉密封的器皿可能會引起爆炸。在烹飪之前必須打開密閉容器，塑料小袋必須穿孔。

關於“在微波爐之內可使用的材料或在微波爐之內避免使用的材料”的進一步指南見以下詳細描述。可能存在一些在微波下使用不安全的某些非金屬器皿。如果有疑慮，您可遵循以下步驟試驗可疑器皿。

器皿試驗：

1. 用一可在微波爐內安全使用的容器裝滿一杯冷水（約為250ml），與可疑器皿放在一起加熱。
2. 使用最大功率加熱一分鐘。
3. 仔細地觀察器皿。如果該器皿變熱，不要使用它來進行微波烹飪。
4. 加熱時間不要超過一分鐘。

可在微波爐之內使用的器具材料

器具種類	使用說明
餐具	僅使用對微波安全的餐具。遵循 製造商 指南。不要使用裂縫或碎裂的盤子。
玻璃罐	烹調時必須去掉蓋子。僅在為使食物變得溫熱而對食物進行加熱的情況下使用。大多數玻璃罐是非耐熱的，並且可能導致損壞。
玻璃器皿	僅使用微波爐用耐熱玻璃器皿。必須確定該玻璃器皿無金屬邊飾。不要使用有裂縫或已碎裂的盤子。
微波爐用烹調袋	遵循 製造商 指南。不要用金屬件捆綁烹調袋。要確保留有縫隙排放蒸汽。
紙盤和紙杯	僅在短時間烹調或熱時使用。在烹調過程中，不要讓微波爐處於無人照看狀態下。
紙巾（吸油性材質）	使用紙巾覆蓋食物用於翻熱和吸收油脂。僅在短時間烹調時使用，而且必須有人在旁照看。
防水質地的紙	作為防濺覆蓋使用或用於遮蔽蒸汽。
塑料	僅使用對微波安全的器具。遵循 製造商 指引。應該使用有“對微波安全”標識的器具。某些塑料容器，當在其內的食物變熱時，會碳化。 “沸騰袋”和緊密封閉的塑料袋應該根據包裝開縫、穿孔。
保鮮膜	僅使用對微波安全的材質。用於在烹飪期間覆蓋食物以保留水份。不要讓塑料包裹觸及食物。
溫度計	僅使用對微波安全的溫度計。
蠟紙	用作覆蓋以防止液體飛濺和留住水份。

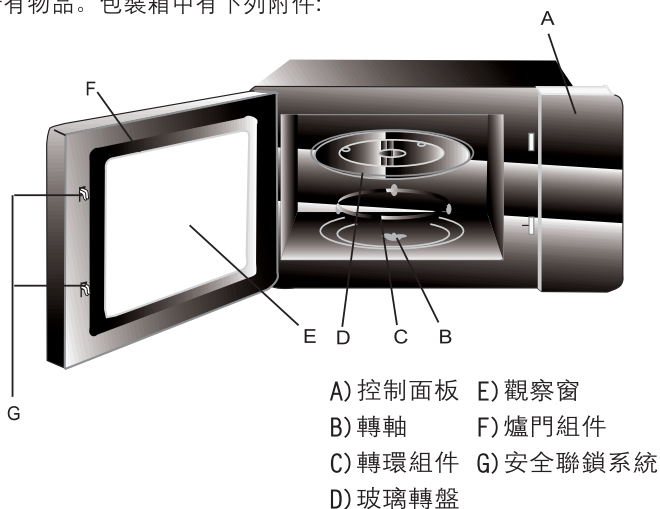
在微波爐內應避免使用的材料

器具種類	使用說明
鋁托盤	可能會導致電弧。
帶金屬手柄的食物盒	可能會導致電弧。
金屬或金屬邊飾器皿	金屬會遮擋食物使之不受微波能作用。金屬邊飾可能會導致電弧。
金屬捆綁物	可能導致電弧並且可能導致着火。
紙袋	可能導致微波爐着火。
泡沫塑料	當暴露於高溫時，泡沫塑料可能會熔化或污染液體。
木器	當在微波爐內使用木器時，木器將變乾並且可能斷開或碎裂。

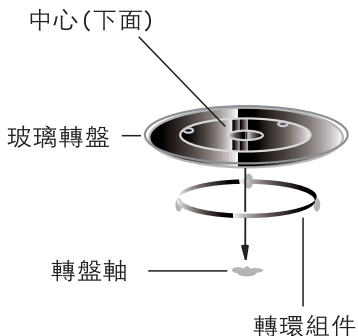
微波爐的正確安裝

從包裝箱中取出微波爐和所有物品。包裝箱中有下列附件：

玻璃轉盤	1個
轉環組件	1個
使用說明書	1本
保用證	1張



轉盤安裝指引



- 不可將玻璃轉盤倒置。不可擠壓玻璃轉盤
- 在烹調期間必須始終使用玻璃轉盤和轉環組件。
- 所有食物和盛裝食物的容器都必須放在玻璃轉盤上進行烹調。
- 如果玻璃轉盤或轉環組件出現裂縫或已損壞，請聯繫客戶服務中心。

微波爐安裝指引

安裝說明

工作台安裝

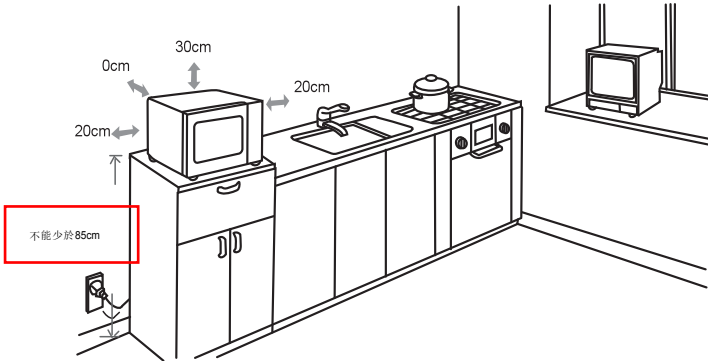
將微波爐內的包裝物件全部拆去。請勿拆出安裝在爐腔內的淺褐色導管罩。

檢查微波爐是否有損壞，如爐門有凹痕或破損。若微波爐有損壞，請勿繼續安裝。

烤箱：取下所有在烤箱內部表面的保護膜。

安裝

1. 工作台須有足夠空間給進氣口和出氣口。



- 微波爐禁止放在地上使用。
 - 微波爐與旁邊牆身的距離不能少於 20 厘米，而微波爐背部最好靠著牆身。
 - 微波爐上面至少留 30 厘米的空隙。
 - 請勿拆除微波爐底部的支架。
 - 阻塞入氣口和/或出氣口會損害微波爐。
 - 將微波爐放置於遠離收音機和電視機的地方。微波爐工作時會對收音機或電視機的信號接收造成干擾。
2. 請將微波爐插入標準家用電源。確保電源的電壓和頻率與額定標籤上標示的相同。

警告： 請勿將微波爐安裝於爐灶面或其他發熱電器以上。若安裝於熱源附近或上面，微波爐可能會受到損壞，保養將會無效。操作過程中可接觸面可能會變燙。



清潔

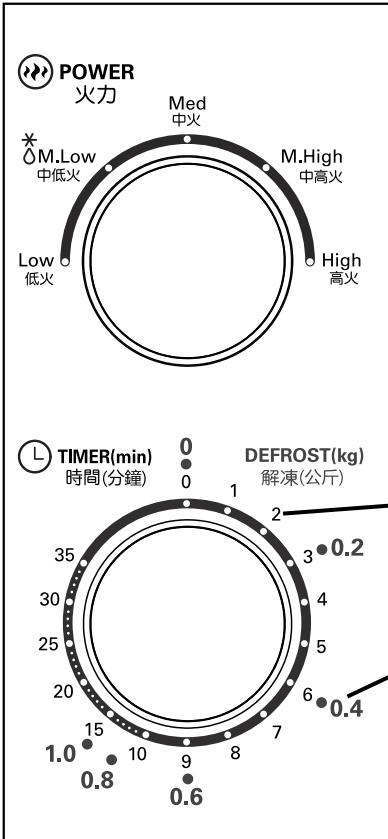
1. 先拔掉插座斷電。用軟布蘸上溫和的洗滌液擦淨微波爐內外，然後清洗和擦乾。應該至少每周清潔一次，如果需要可多次清潔。用軟布擦洗，決不可使用去污粉或粗抹布。在微波爐內腔頂部上的過多的濺油如果留存許多天將難以除去。用濕的紙巾擦淨濺潑油污，尤其在烹調雞肉或咸肉後。

2. 可拆卸移動部分

- (1) 玻璃轉盤可以在洗滌盆清潔。當心不要弄碎或擦傷邊緣，因為這可能造成在使用期間玻璃托盤受損。
- (2) 轉環組件應該經常清潔。

3. 爲了微波爐能達到最佳性能和保證操作安全，內門面板和微波爐前樑不得有食物殘留，要認真清洗。

控制面板介紹



烹調火力控制

旋轉火力旋鈕設置所需的火力。

火力	微波火力
Low (低)	17% 微波
M.Low (中低火-解凍)	33% 微波
Med (中火)	55% 微波
M.High (中高火)	77% 微波
High (高火)	100% 微波

烹調時間

簡易時間設置，旋轉時間旋鈕設定所需烹調時間，最長烹調時間為 35 分鐘。

解凍 (公斤)

按食物重量指示設置解凍時間

操作

基本簡易操作如下：

一般烹調

1. 旋轉火力旋鈕設置所需的火力。
2. 轉動時間旋鈕設定所需之烹調時間。
3. 微波爐將自動開始操作，計時器開始倒數直到“0”。
4. 計時器到達“0”時，便會發出一鳴響聲，然後微波爐會自動停止操作。

解凍功能

1. 旋轉火力旋鈕設定**中低火(解凍)**。
2. 按食物重量指示轉動時間旋鈕設定所需之烹調時間。
3. 微波爐將自動開始操作，計時器開始倒數直到“0”。
4. 計時器到達“0”時，便會發出一鳴響聲然後微波爐會自動停止操作。

功能/火力	微波火力	烹調食物舉例
Low 低火	17%	軟化雪糕
M.Low (Defrost) 中低火(解凍)	33%	一般解凍、軟化牛油
Med 中火	55%	爛/燉食物、魚類
M.High 中高火	77%	飯、魚類、雞肉或碎肉
High 高火	100%	翻熱食物、奶類、蔬菜或飲品

注意:

- 如要在烹調過程中取消操作，可轉動時間旋鈕到“0”。
- 如在烹調過程中打開爐門，操作將即時停止。
- 當不使用本機時，請將時間旋鈕轉動到“0”。
- 在爐內取出食物前，前確保時間旋鈕已設置到“0”。
- 禁止爐內無任何食物時操作該微波爐。此操作非常危險，很可能會損壞微波爐。

保養指示

清潔

必須拔掉電源插頭

- 使用後可用微濕的布清潔爐箱。
- 可用肥皂水清潔配件。
- 請用濕布仔細清潔門框、封口處及周邊零件。

疑難排解

正常現象	
微波爐干擾電視信號	收音機和電視信號可能被干擾，當微波爐運行時。這與小家電的干擾很相似，如攪拌器、吸塵器和電風扇，這屬正常現象。
水蒸氣積在門上，熱空氣從通風孔排出	在烹調時，水蒸氣可能出自食物本身。大多將從通風孔排出，但一些可能積在較冷的地方，比如爐門上，這屬正常現象。

問題	可能的原因	解決的辦法
微波爐不能操作	(1) 電源綫沒有插緊。	拔下插頭，等10秒後重插。
	(2) 保險絲斷或斷路器開始工作。	換保險絲或重設斷路器。 (只允許專業人員進行維修。)
	(3) 插座有問題。	用其它電器測試插座。
微波爐不能加熱	(4) 爐門沒有關好。	重新關好門。

環境保護

本產品使用壽命結束時請勿與一般家庭廢棄物一併丟棄。請將該產品放置於政府指定的回收站。此舉能為環保盡一份心力。



重要信息

儘管本公司或其生產商受知會，在任何情況下本公司或其生產商將不須就任何聲明、承諾及保證的索償而負責及不會向客戶或第三方承擔任何因使用或未能使用此產品所帶來直接的、非直接的、非專業的、特殊的、偶然的、間接的、有代表性的或其他任何損傷的責任(包括但不限於身體的損傷、財產的損失、公司盈利的損失、公司運作受中斷)。在任何情況下本公司或其生產商所承擔之責任將不會超過此產品之購買金額。

產品如有任何技術規格更改不作另行通知。

RoHS規範限用物質說明表

設備名稱：微波爐 Equipment Name		型號 (型式) : MM720CJ5 Type Designation (Type)				
單元 Unit	限用物質及其化學符號 Restricted substances and its chemical symbols					
	鉛Lead (Pb)	汞Mercury (Hg)	鎘Cadmium (Cd)	六價鉻 Hexavalent Chromium (Cr ⁺⁶)	多溴聯苯 Polybrominated Biphenyls (PBB)	多溴二苯醚 Polybrominated Diphenyl Ethers (PBDE)
電源線組 (電源線插頭)	超出 0.1wt%	○	○	○	○	○
外殼	○	○	○	○	○	○
電路板 (蜂鳴器、二極管、穩壓管)	超出 0.1wt%	○	○	○	○	○
電路板 (繼電器、微動開關)	○	○	超出 0.01wt%	○	○	○
磁控管	○	○	○	○	○	○
風扇馬達	○	○	○	○	○	○
開關按鈕	○	○	○	○	○	○
溫控器	超出 0.1wt%	○	超出 0.01wt%	○	○	○
配件及其它部分	○	○	○	○	○	○

備考1：“超出0.1 wt %”及“超出0.01 wt %”係指限用物質之百分比含量超出百分比含量基準值。
Note 1: “Exceeding 0.1 wt %” and “exceeding 0.01 wt %” indicate that the percentage content of the restricted substance exceeds the reference percentage value of presence condition.

備考2：“○”係指該項限用物質之百分比含量未超出百分比含量基準值。
Note 2: “○” indicates that the percentage content of the restricted substance does not exceed the percentage of reference value of presence.

備考3：“-”係指該項限用物質為排除項目。
Note 3: The “-” indicates that the restricted substance corresponds to the exemption.

MODEL: MM720CJ5

Microwave Oven Instruction Manual



Before using this microwave oven, please read this instruction manual carefully and then keep it properly.

Please Keep This Instruction Manual Properly

Precautions to avoid possible exposure to excessive amounts of microwave radiation:

- (a) Do not attempt to operate the microwave oven with the door open as this will result in harmful exposure to microwave radiation. Ensure not to break or tamper with the safety interlock.
- (b) Do not place any object at the front or by the sides of microwave oven's door, or allow any contaminant, detergent or food residue to gather in the sealed chamber.
- (c) If the microwave oven door or door seal is damaged, please do not use it. No one except qualified maintenance personnel is allowed to repair the microwave oven.

Product Specifications

Model No.	MM720CJ5
Product name	Microwave Oven
Rated Voltage/Frequency	110V~60Hz
Rated Input Power(Microwave)	1050W
Rated Output Power(Microwave)	700W
Oven Capacity	20L
Turntable Diameter	255 mm
Product Dimensions(W x H x D)	440 x 259 x 340mm
Net Weight	Approx. 10.7 kg

Important Safety Instructions and Warnings

1. Warning: Please do not heat liquid and food in a closed container to avoid possible explosion.
2. Only qualified technicians are permitted to repair this appliance. Should you want to inspect, repair, or adjust this microwave oven, please contact the customer service center.
3. Warning: Only children who have been taught on how to use the microwave oven correctly and understand the hazards it may cause if not used properly are allowed to operate this microwave oven individually without the supervision of an adult.
4. As with other electrical appliances, when the microwave oven is operated by a child, he/she must be guided by an adult alongside.
5. Only microwave-safe containers are permitted to use in this microwave oven.
6. The microwave oven must be cleaned regularly to remove any food residues.
7. Please read all instructions for use before using this appliance.
8. When heating food in a plastic or paper container, ensure to leave an opening to avoid possible fire.
9. If you see smoke, cut off the power and shut the oven door to extinguish the flame.
10. Do not cook the food for too long. When cooking food in the microwave oven, please pay attention if you are using paper, plastic, or other flammable utensils.
11. Do not store items, in particularly flammable items such as bread, desserts, and paper products in the microwave oven. If the power cord is struck by lightning, the microwave oven may be turned on by itself.
12. Before placing the food in a paper or plastic container (or bag) in the microwave oven chamber, please first remove the tie cord and metal handle.
13. When installing or securing this microwave oven, please strictly follow the installation instructions.
14. Some products, such as unpeeled fruits, water with oil or fat, sealed containers, closed glass jars, etc. may cause explosion in the microwave oven and should not be heated in it.
15. When using this microwave oven, please use it in accordance with the regulated methods stated in the instruction manual. Do not use any corrosive chemicals or items that will generate steam in this microwave oven. This microwave oven is only good for heating or cooking food, and cannot be used for industrial or laboratory purposes.
16. Do not use this microwave oven if its power cord or plug is damaged, and if it is malfunctioned, damaged or dropped on the floor.
17. Please do not store or use this appliance outdoor.

18. Please do not place this microwave oven near a water source or sink, use it underground or near a swimming pool.
19. As the microwave oven's housing may be very hot while it is operating, please ensure to keep the power cord away from the heated surface and do not cover any of its vents.
20. Please do not allow the power cord to dangle on the edge of table or counter.
21. Failure to keep the oven clean may result in surface damage that may affect its service life and may even cause hazards.
22. When heating the baby milk bottle or baby food can in a microwave oven, stir or shake it before use, try its temperature first and only feed the baby when the temperature is appropriate to avoid burns.
23. To avoid the post hot liquid and drink from boiling abruptly or scalding, please stir the liquid first before placing it in the oven and stir it once more intermittently before removing the container.
24. Without proper supervision, do not allow children, people with mobility difficulty, people with sensory and neurologically impaired, or inexperienced people to use this microwave oven to ensure their safety.
25. Children should be monitored to ensure that they do not play with the oven.
26. Unless otherwise instructed, please do not place the microwave oven in the kitchen cabinet.
27. Please do not operate the microwave oven with other timer or remote control.
28. Place the back of the oven against the wall.

Danger

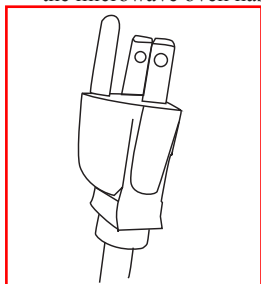
Electric shock hazards

Touching certain components of the microwave oven may cause serious personal injury or death. Please do not attempt to disassemble the microwave oven.

Warning

Electric shock hazards

Improper grounding may cause electric shock. Do not insert the plug into the socket before the microwave oven has been properly installed and grounded.



A proper grounded 3-pin plug

This appliance must be grounded. In the event of power outage, the grounding device will provide a safe escape route for the current to reduce the risk of electric shock. This appliance is provided with a grounding conductive wire with a grounding plug. The plug must be inserted into a socket that is properly installed and grounded. If you do not fully understand the grounding guide or suspicious that the appliance is not properly grounded, please consult a qualified electrician or service personnel. If you must use an extension wire, it is mandatory to use the 3-wire extension wire and plug, and a 3-pin socket.

1. Use a shorter power cord as a longer one will tend to entangle or cause people to trip over.
2. If you use a longer wire fitting or extension wire, please follow the following guidelines:
 - 1) The nominal rated power of the wire fitting or extension wire should at least be the same as the rated electrical power of the appliance.
 - 2) The extension wire must be in grounded 3-wire cable.
 - 3) Please organize the longer power cord properly, and prevent it from dangling on the table or counter to avoid children from pulling it or tripping over unintentionally.

Selection of Microwave Oven Utensils

Warning

Risk in personal injury

The tightly sealed containers can cause an explosion. The closed containers must be opened before heating and the plastic pouches must be perforated.

For further guidance on “microwave-safe materials or materials that should be avoided to use in microwave oven,” please see the following detail descriptions. If you have doubt on certain non-metallic utensils that are unsafe to use in microwave oven, please follow the following steps to test the suspicious containers.

Utensil testing:

1. Heat the suspicious utensil in the microwave oven along with a microwave-safe glass filled with cold water (approx. 250ml).
2. Heat for one minute using maximum power.
3. Observe the utensil carefully. If the utensil gets hot, do not use it for microwave cooking.
4. Do not heat more than one minute.

Microwave-safe utensils

Utensils	Instructions for Use
Tableware	Use only microwave-safe utensils. Follow the manufacturer’s guidelines. Do not use a cracked or chipped plate.
Glass jars	The lid must be removed when cooking. Use only to warm up the food. As most glass jars are non-heat resistant, they tend to break.
Glassware	Use only heat-resistant and microwave-safe glassware, and ensure that such glassware is free of a metal rim.
Microwave-safe cooking bags	Follow the manufacturer’s guidelines. Do not bundle the cooking bag with a metal tie cord, and ensure to leave an opening to allow steam to escape.
Paper plates and cups	Use only short-time cooking or heating. Do not leave the microwave oven unattended during cooking.
Paper napkins (oil-absorbing material)	Use a paper napkin to cover the food for reheating and absorbing oil. Only use it for short-time cooking and there must be somebody to stand watching.
Water resistant paper	Use it as a splash cover or steam cover.
Plastic materials	Use only microwave-safe utensils. Follow the manufacturer’s guidelines and only use the utensils with “microwave-safe” label. Some plastic containers will soften when the food inside has become hot. For “boiling bags” and tightly closed plastic bags, they should be unsealed or perforated.
Plastic wrap	Use only microwave-safe plastic wrap. Use it to cover food during cooking to retain the moisture. Do not allow the plastic wrap to come into contact with the food.

Thermometer	Use only a microwave-safe thermometer.
Waxed paper	Use it as a cover to prevent liquid from splashing and retaining the moisture.

Materials that should be avoided in microwave oven

Utensils	Instructions for Use
Aluminum trays	They may cause an arcing.
Food boxes with a metal handle	They may cause an arcing.
Metal cookware or utensil with a metal rim	Metal will shield the food from receiving the microwave energy, and the metal trim may cause an arcing.
Metal tie cord	It may cause an electric arc and possible fire.
Paper bags	They may cause the microwave oven to catch fire.
Styrofoam	When exposed to high temperatures, styrofoam may melt or contaminate the liquid.
Wooden utensils	When a wooden utensil is used in microwave oven, it will become dry, brittle or split.

Correct Microwave Oven Installation

Remove the microwave oven and accessories from the packaging box.

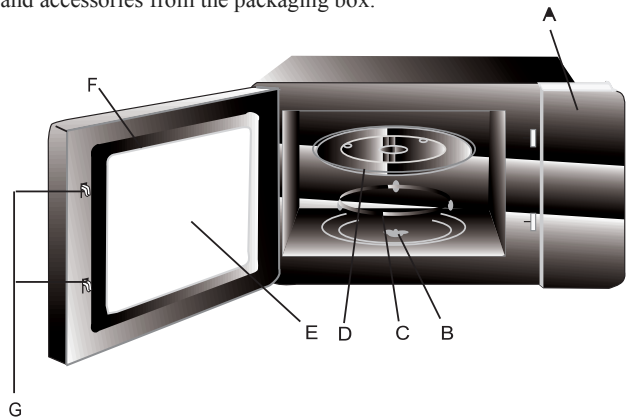
Accessories include:

Glass turntable - 1pc

Turntable ring assembly
- 1pc

Instruction manual - 1pc

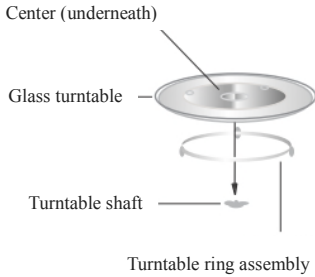
Warranty card - 1 sheet



A) Control Panel
B) Shaft
C) Turntable ring assembly
D) Glass turntable

E) Viewing window
F) Door assembly
G) Safety interlock system

Turntable Installation Guides



- Do not turn the glass turntable upside down. Do not compress the glass turntable.
- The glass turntable and Turntable ring assembly must always be used during cooking.
- All food and food container must be placed on a glass turntable while cooking.
- If the glass turntable or Turntable ring assembly is cracked or damaged, please contact the customer service center.

Microwave Installation Guides

Installation Descriptions

Counter installation

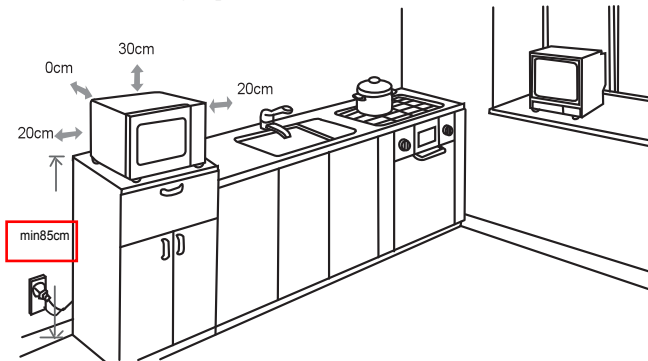
Remove all packaged items in the microwave oven. Do not remove the light brown duct cover installed in the chamber.

Inspect if the microwave oven is damaged, such as dents or door breakage. If the microwave oven is damaged, do not continue the installation.

Oven: Remove all protective film on the inner surface of the oven.

Installation

- The counter must have enough space for air inlets and air outlets.



- It is prohibited to place the microwave oven on the floor.
- The minimum clearance between the microwave oven and any adjacent wall or object cannot be less than 20cm, while its back can be placed against the wall.
- Leave at least 30cm of space on top of the microwave oven.
- Please do not remove the legs at underneath of microwave oven.
- Blocking air inlets and/or air outlets can damage the microwave oven.

- Place the microwave oven far away from radio and TV as it will interfere the signal reception of radio or TV while operating.
2. Please connect the microwave oven to the standard household power supply. Ensure that the voltage and frequency of power supply are consistent with those listed on the electrical label.

Warning

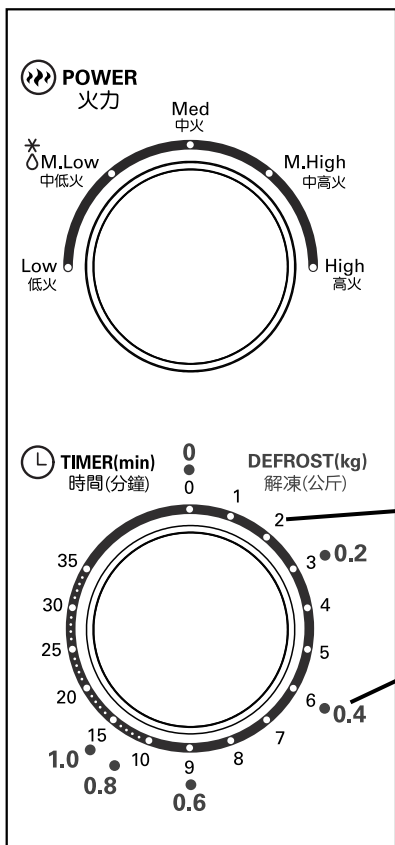


Do not install the microwave oven on the stove or other heating appliances. If the microwave oven is installed near or above a heat source, it can be easily damaged and will not be liable for maintenance service. Please beware that the accessible surface of microwave oven may be hot while it is operating.

Cleaning

1. **First disconnect the plug to cut off power supply.** Wipe both inside and outside of microwave oven with a soft cloth dampened with a mild detergent, then clean the surfaces and wipe them dry. Cleaning should be performed at least once a week or several times if necessary. Wipe with a soft cloth and never use cleaning powder or a coarse rag to scrub. The oil stains found on top of the microwave oven's chamber caused by splashing, especially while cooking chicken or bacon, can be difficult to remove if left for several days, use a wet paper towel to wipe the oil stains.
2. **Removable parts**
 - (1) The glass turntable can be cleaned in the sink. Be careful not to crack or damage the edge as this may cause it to break during operation.
 - (2) Clean the turntable ring assembly frequently.
3. To allow the microwave oven to achieve best performance and ensure safe operation, do not allow food residues to accumulate on the inner door panel and the door rim, and clean them carefully.

CONTROL PANEL



COOKING POWER CONTROL

Turn to select a cooking power level.

Power	Power Output
Low	17%
M.Low (defrost)	33%
Med	55%
M.High	77%
High	100%

TIMER

Easy time setting by turning the knob to your desired cooking time up to 35 minutes.

DEFROST (kg)

Defrost guide by weight of defrost food.

OPERATION

Basic instructions for simple recipes as below:

General Cooking

1. Set cooking power by turning the power knob to desired level.
2. Rotate the Timer Knob to the desired cooking time.
3. The microwave oven will automatically start and timer will count down to “0” .
4. When time is up, a signal bell will sound and the oven will automatically turn off.

Defrost Function

1. Set cooking power by turning the power knob to M.Low (defrost) .
2. Rotate the Timer Knob to the weight of food as indicated on the defrost guide.
3. The microwave oven will automatically start and timer will count down to “0”.
4. When time is up, a signal bell will sound and the oven will automatically turn off.

Function/Power	Microwave Power	Application
Low	17%	Soften ice cream
M.Low (Defrost)	33%	Soup stew, soften butter or defrost
Med	55%	Stew, fish
M.High	77%	Rice, fish, chicken, ground meat
High	100%	Reheat, milk, vegetables, beverage

Attention :

- If you want to stop cooking before the end of the cooking time, turn the timer back to “0”.
- When the oven door is opened, the operation of microwave oven will stop immediately.
- If the unit is not in use, always set the timer to “0”.
- When removing food from the oven, please ensure that the oven power is switched off by turning the timer to “0”.
- It is forbidden to run the unit without any food inside. It is very dangerous.

MAINTENANCE INSTRUCTION

Cleaning

Be sure to unplug the appliance from the power supply.

- Clean the oven cavity with a slightly damp cloth after used.
- Clean the accessories with soapy water.
- The door frame seal and neighbouring parts must be cleaned carefully with a damp cloth.

Troubleshooting

Normal Symptoms	
TV signals are interrupted by microwave oven	Radio and television signals may be interrupted while the microwave oven is running. This is very similar to interference caused by small household appliances such as blender, vacuum cleaner and electric fan. It is deemed a normal phenomenon.
Water vapor accumulates on the door and hot air exhausts out from the vent	During cooking, water vapor may be generated from the food itself. Most of the water vapor will be discharged from the exhaust vent, but some may accumulate on the colder places, such as the door. This is deemed to be a normal phenomenon.

Malfunctions	Possible Causes	Troubleshooting
Oven fails to operate	(1) Power cord is not properly inserted into the socket.	Disconnect the plug and reinsert it into the socket after 10 seconds.
	(2) The fuse is broken or the circuit breaker trips.	Replace the fuse or reset the circuit breaker (only the company's professional personnel is allowed to perform the maintenance).
	(3) Socket failure.	Use other electrical appliances to test if the socket is functioning.
No heating occurs	(4) The door is not closed properly.	Reclose the door.

ENVIRONMENT

Do not throw away the appliance with the normal household waste at the end of its life, but hand it in at an official collection point for recycling. By doing this, you help preserving the environment.



IMPORTANT NOTICES

IN NO EVENT SHALL OUR COMPANY OR THE SUPPLIER BE LIABLE TO YOU OR ANY OTHER PARTY FOR ANY DIRECT, INDIRECT, GENERAL SPECIAL, INCIDENTAL, CONSEQUENTIAL, EXEMPLARY OR OTHER DAMAGES ARISING OUT OF THE USE OR INABILITY TO USE THE PRODUCT (INCLUDING, WITHOUT LIMITATION, DAMAGES FOR INJURY, LOSS OF PROPERTY, BUSINESS PROFITS, BUSINESS INTERRUPTION) OR FROM ANY BREACH OF WARRANTY, EVEN IF OUR COMPANY OR SUPPLIER HAS BEEN ADVISED OF THE POSSIBILITY OF SUCH DAMAGES. IN NO CASE SHALL OUR COMPANY OR SUPPLIER'S LIABILITY EXCEED THE AMOUNT YOU PAID FOR THE PRODUCT.

Specifications, designs and dimensions are subject to change without prior notice.

PN:16170000A77216

