



Refrigerator
BOTTOM MOUNTED FREEZER SERIES

USER MANUAL

MDRB424FGD*

Warning notices: Before using this product, please read this manual carefully and keep it for future reference. The design and specifications are subject to change without prior notice for product improvement. Consult with your dealer or manufacturer for details.
The diagram above is just for reference. Please take the appearance of the actual product as the standard.

THANK YOU LETTER

Thank you for choosing Midea! Before using your new Midea product, please read this manual thoroughly to ensure that you know how to operate the features and functions that your new appliance offers in a safe way.

CONTENTS

THANK YOU LETTER	01
SPECIFICATIONS	02
PRODUCT OVERVIEW	03
PRODUCT INSTALLATION	04
OPERATION INSTRUCTIONS	11
CLEANING AND MAINTENANCE	15
TROUBLESHOOTING	16
APPENDIX	19

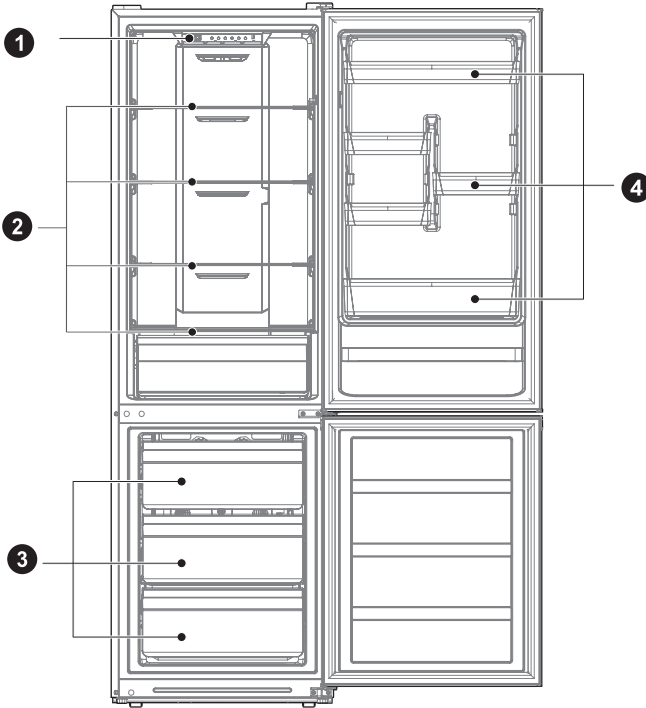
SPECIFICATIONS

Product model	MDRB424FGD
Rated Voltage/Frequency	220-240V~/50Hz
Rated Current	1.5A
Total Volume	310L
Fresh Food Storage Compartment Volume	224L
Four-star Compartment Volume	86L
Freezing Capacity	3.9kg/24h
Temperature Rise Time	8h
Overall Dimension (W x D x H)	595x630x1880mm

Importer / Address: MIDEA HOME APPLIANCES UK LTD
Conavon Court Ground Floor, 12 Blackfriars Street, Salford,
Manchester M3 5BQ UK

PRODUCT OVERVIEW

Names of components



1 LED lighting

2 Shelf

3 Drawer

4 Door tray

ATTENTION

The picture above is only for reference. The actual configuration will depend on the physical product or statement by the distributor.

PRODUCT INSTALLATION

Install Instruction

For refrigerating appliances with climate class

- Depending on the climate class, this refrigerating appliance is intended to be used at ambient temperatures range as specified following table.
- The climate class can be found on the rating plate. The product may not operate properly at temperatures outside of the specific range.
- You can find the climate class on the product label.

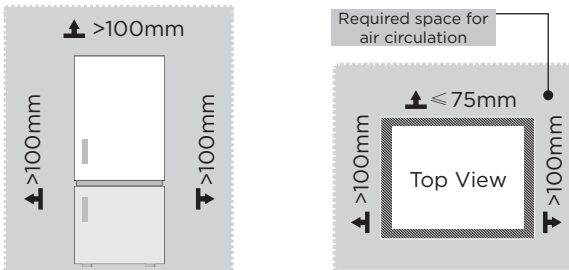
Effective temperature range

- The product is designed to operate normally in the temperature range specified by its class rating.

Class	Symbol	Ambient temperature range °C	
		IEC 62552 (ISO 15502)	ISO 8561
Extended temperate	SN	+ 10 to + 32	+ 10 to + 32
Temperate	N	+ 16 to + 32	+ 16 to + 32
Subtropical	ST	+ 16 to + 38	+ 18 to + 38
Tropical	T	+ 16 to + 43	+ 18 to + 43

Dimensions and Clearances

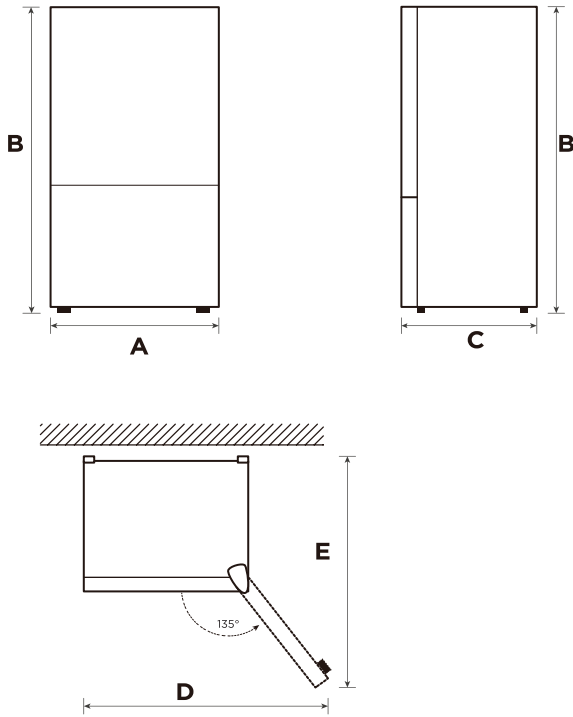
- Keep the air circulation free around the cabinet. When installing the unit, ensure 10cm of free space at both sides, 10cm at the top of the unit, and not more than 7.5cm at the rear of the unit.



ATTENTION

The picture above is only for reference. The actual configuration will depend on the physical product or statement by the distributor.

Space requirement diagram (when the door is open and when the door is closed)

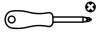
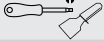




Width	Overall Height	Depth	Width doors open 135°	Depth doors open 135°
A	B	C	D	E
595	1880	630	1015	1185

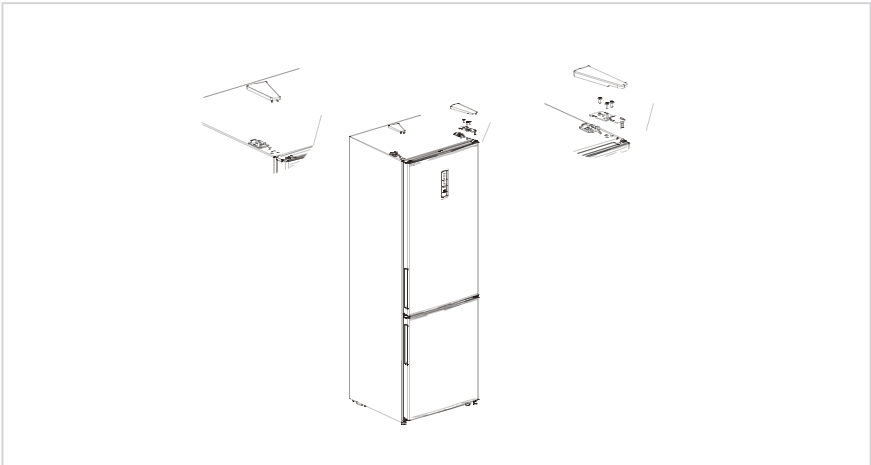
Notice: All dimensions in mm

Door right-left change (optional)

List of tools to be provided by the user

	Cross screwdriver
	Putty knife Thin-blade screwdriver
	5/16" socket spanner
	Masking tape

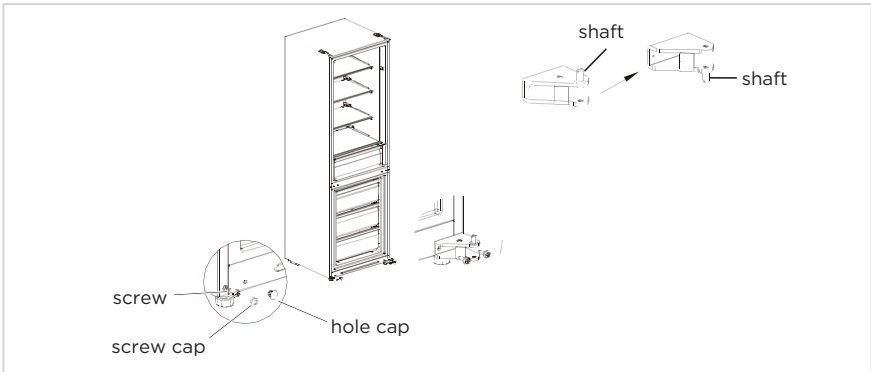
1. Power off the refrigerator, and remove all objects from the door trays.
2. Dismantle upper hinge cover, disconnect the signal wires, upper hinge and hole cap of the other side, remove the refrigerating door.



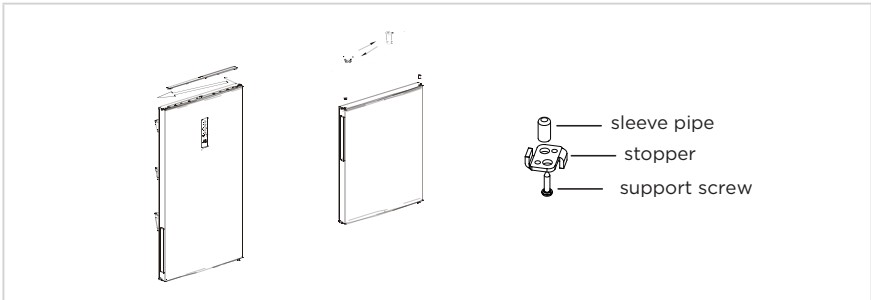
3. Dismantle the middle hinge, the screws, the screws hole caps and remove the freezer door.



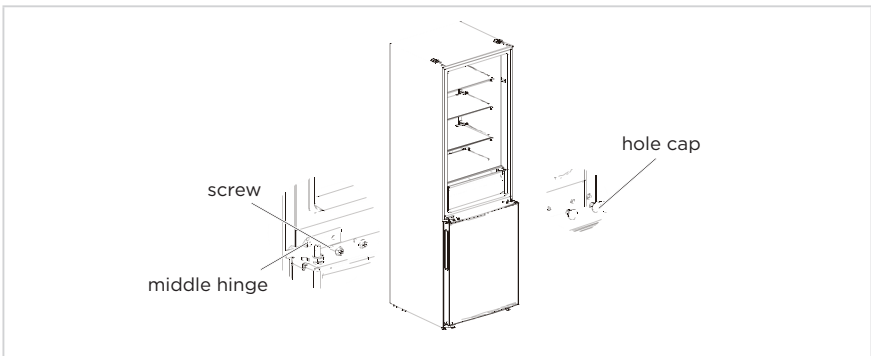
4. Dismantle the bottom hinge, hole caps and screws, Install the bottom hinge shaft on other side of the bottom hinge, then install the hinge on the other side.



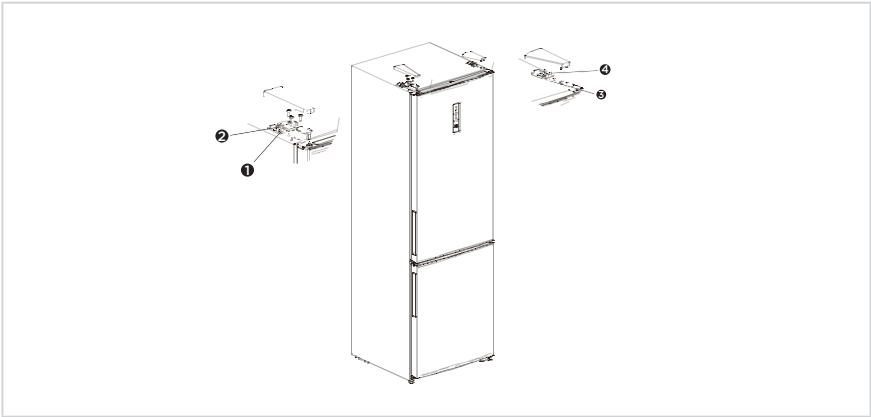
5. Dismantle the screws, sleeve pipe and stopper on the lower end cover of the two door bodies, and install them successively on the other side of the door bodies. Then remove the upper end cover of the cooler door and switch the wire harness with a sleeve pipe to the other side of the door body. Finally install the sleeve pipe of the upper hinge on the cooler door in the hole on the other side of upper end cover of the cooler door.



6. Put the freezer door on bottom hinge, install the middle hinge, the screws and the screw hole caps.



7. Place the door body for the refrigerator compartment on the middle hinge, then install the upper hinge to the other side of the cabinet, finally connect the terminals 1, 2 for the signal wires at the side of the upper hinge and terminals 3,4 on the other side and cover the hinge cover and hole cover.



ATTENTION

The picture above is only for reference. The actual configuration will depend on the physical product or statement by the distributor



Leveling feet

To avoid vibration, the unit must be leveled.

If required, adjust the leveling screws to compensate for the uneven floor.

The front should be slightly higher than the rear to aid in door closing.

Leveling screws can be turned easily by tipping the cabinet slightly.

Turn the leveling screws counterclockwise  to raise the unit, clockwise  to lower it.

Moving the appliance

1. Remove all food from inside the appliance.
2. Pull the power plug out, insert and fix it into the power plug hook at the rear or on top of the appliance.
3. Tape parts such as shelves and the door handle to prevent from falling off while moving the appliance.
4. Move the appliance with more than two people carefully. When transporting the appliance over a long distance, keep the appliance upright.
5. After installing the appliance, connect the power plug into a socket out to switch on the appliance.

ATTENTION

Precautions before operation:

Before making changes the refrigerator must be disconnected from power.

Precautions should be taken to prevent any personal injury.

Changing the light

- Any replacement or maintenance of the LED lamps is intended to be made by the manufacturer, its service agent or similar qualified person.

ATTENTION

This product contains a light source of energy efficiency class (F).

Connecting the appliance

After installing the appliance, connect the power plug into a socket outlet.

ATTENTION

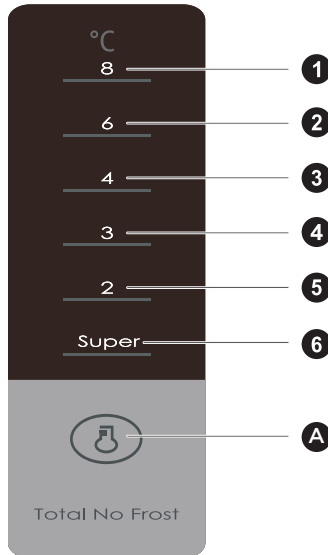
After connecting the power supply cord (or plug) to the outlet, wait 2 or 3 hours before you put food into the appliance. If you add food before the appliance has cooled completely, your food may spoil.

Tips for energy saving

- Do not place the appliance near cookers, radiators or other heat sources. If the ambient temperature is high, the compressor will run more frequently and for longer, resulting in increased energy consumption.
- Ensure that there is sufficient ventilation at the base of the appliance, on the sides of the appliance and at the back of the appliance. Never cover ventilation openings.
- Please also observe the spacing dimensions in the chapter “Installation”.
- The arrangement of drawers, shelves and racks as shown in the illustration offers the most efficient use of energy and should therefore be retained as far as possible. All drawers and shelves should remain in the appliance to keep the temperature stable and save energy.
- To obtain a larger storage space (e.g. for large refrigerated/frozen goods), the middle drawers can be removed. The top and bottom drawers and shelves should be removed last if necessary.
- An evenly filled refrigerator/freezer compartment contributes to optimal energy use. Therefore, avoid empty or half-empty compartments.
- Allow warm food to cool before placing it in the refrigerator/freezer. Food that has already cooled down increases energy efficiency.
- Allow frozen food to defrost in the refrigerator. The coldness of the frozen food reduces the energy consumption in the refrigerator compartment and thus increases the energy efficiency.
- Open the door only as briefly as necessary to minimise cold loss. Opening the door briefly and closing it properly reduces energy consumption.
- The door seals of your appliance must be perfectly intact so that the doors close properly and energy consumption is not increased unnecessarily.

OPERATION INSTRUCTIONS

Control panel



ATTENTION

The picture above is only for reference. The actual configuration will depend on the physical product or statement by the distributor.

Key

A Temperature setting button

Display screen

1	temperature setting 1 8°C
2	temperature setting 2 6°C
3	temperature setting 3 4°C
4	temperature setting 4 3°C
5	temperature setting 5 2°C
6	temperature setting 6 super cool

Display

When power-on the refrigerator, the display screen (including the key light) will shine in full for 3s, then the refrigerator runs according to temperature setting 3.

Display of normal running

On the occurrence of a failure, the corresponding LED light will give a combined display of failure code (in recycling display);

Where there is no failure, the LED light will display the existing temperature setting.

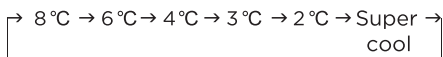
ATTENTION

The actual control panel may differ from model to model.

Operating instructions

Gear setting

- The temperature setting will be changed once every time when you press the key SET. Then, the refrigerator will run under the new setting value after 15s.

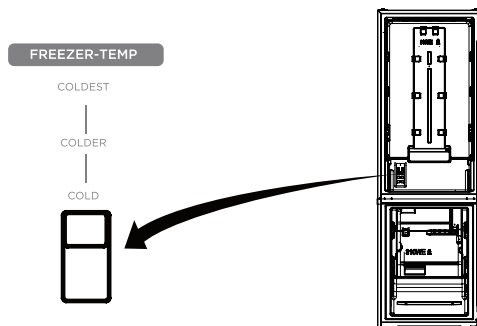


Super cool mode:

- Enter: Circulating modulation Super cool mode.
- Operate: Indicator of Super cool lights up, the refrigerator will automatically exit the Super cool mode after 40 hours of continuous operation at low temperatures.
- Press the button to switch the other gear, the Super cool mode is canceled. When placing a large amount of food in the freezer compartment at one time, it is recommended to open the Super cool mode 12 hours in advance, so as to quickly freeze food and avoid food deterioration.

Adjustment of manual air damper knob

- Turn the air damper slider up, the actual temperature inside the freezer room will drop, turn the air damper slider down, the actual temperature inside the freezer room will rise.



Tips on storing food

Freezer compartment

- The freezer is designated for the storage of food frozen at very low temperature, long-term storage of frozen food, and for the production of ice.
- Only use the shelves in the door of the freezer to store frozen food, not for storing hot food designated for freezing.
- Do not put fresh and frozen food next to each other. The frozen food may thaw.
- When freezing fresh food (such as meat, fish or chopped meat), cut them into parts that can be used at the same time.
- Storing frozen food: instructions are usually stated on the packages, which must be followed. If there is no information on the packaging, food should not be stored for longer than three months from the date of purchase.
- When purchasing frozen food, make sure that it was frozen at a suitable temperature and that the packaging is not damaged.
- Frozen food should be kept in suitable packages to retain the quality and should be returned to the freezer compartment as soon as possible.
- If a package of frozen food shows moisture or abnormal bulging, it is probable that it was stored at the wrong temperature and the content is spoiled.
- The storage period for frozen food depends on the room temperature, the thermostat setting, the frequency of opening the door of the freezer, the type of food and the time of transporting the product from the shop to the household. Always follow the instructions printed on the packaging and never exceed the maximum storage time stated on the package.

Cooling compartment

- To reduce moisture and subsequent ice build-up, never put liquid into the refrigerator in unsealed containers. Frost tends to concentrate in the coolest parts of the evaporator. Storing uncovered liquids results in a more frequent need for defrosting.
- Never put warm foods in the refrigerator. These should first cool down at room temperature and then be placed so as to ensure adequate air circulation in the refrigerator.
- Foods or food containers should not touch the back wall of the refrigerator because they could freeze to the wall. Do not keep regularly opening the door of the refrigerator.
- Meat and clean fish (packed in a package or plastic foil) can be placed in the refrigerator, which can be used in 1-2 days.
- Fruit and vegetables without packaging can be placed in the part designated for fresh fruit and vegetables.

ATTENTION

The optimal temperature setting of each compartment depends on the ambient temperature. Above optimal temperature is based on the ambient temperature of 25 °C.

Order	Compartments TYPE	Target storage temp. [°C]	Appropriate food
1	Fridge	$+2 \leq x \leq +8$	Eggs, cooked food, packaged food, fruits and vegetables, dairy products, cakes, drinks and other foods not suitable for freezing.
2	 Four-star rating frozen	$x \leq -18$	With freezing capacity, fast freezing speed, can quickly freeze and store food. Suitable for frozen fresh food such as seafood (fish, shrimp, shellfish), freshwater aquatic products and meat products. Recommended for 3 - 6 months, the longer the storage time, the worse the taste and nutrition.
3	 Three-star rating frozen	$x \leq -18$	With freezing capacity. Suitable for frozen fresh food such as seafood (fish, shrimp, shellfish), freshwater aquatic products and meat products. Recommended no more than 3 months.
4	 Two-star rating frozen	$x \leq -12$	Only suitable for medium-term storage of already frozen food, e.g. ice cream. Recommended no more than 1 month.
5	 One-star rating frozen	$x \leq -6$	Only suitable for refrigeration, and short-term storage of small quantities of already frozen food. Recommended no more than 1 week.
6	0-star	$-6 \leq x \leq 0$	Fresh pork, beef, fish, chicken, some packaged processed foods, etc. (Recommended to eat within the same day, preferably no more than 3 days). Partially encapsulated processed foods (non-freezable foods).
7	Chill	$-2 \leq x \leq +3$	Fresh/ frozen pork, beef, chicken, freshwater aquatic products, etc. (7 days below 0°C and above 0°C is recommended for consumption within that day, preferably no more than 2 days). Seafood less than 0 for 15 days, it is not recommended to store above 0°C.
8	Fresh food	$0 \leq x \leq +4$	Fresh pork, beef, fish, chicken, cooked food, etc. (Recommended to eat within the same day, preferably no more than 3 days)
9	Wine	$+5 \leq x \leq +20$	Red wine, white wine, sparkling wine, etc.

ATTENTION

please store different foods according to the compartments or target storage temperature of your purchased.

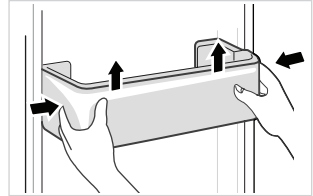
CLEANING AND MAINTENANCE

Defrosting

- The refrigerator is made based on the air-cooling principle and thus has automatic defrosting function. Frost formed due to change of season or temperature may also be manually removed by disconnection of the appliance from power supply or by wiping with a dry towel.

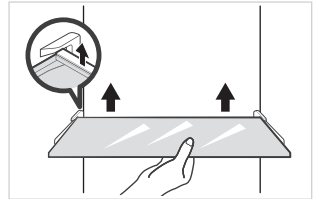
Cleaning of door tray

- According to the direction arrow in the figure below, use both hands to squeeze the tray, and push it upward, then you can take it out.
- After washing the tray having been taken out, you can adjust its installing height in accordance with your requirement.



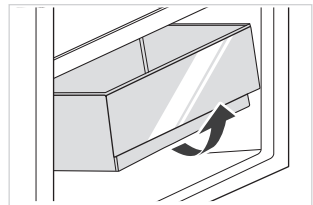
Cleaning of glass shelf

- As the innermost part of the refrigerator liner where contacting the shelves has a backstop, you shall raise the shelves upward, then you can be able to take it out.
- Adjust or clean the shelves according to your requirement.



Cleaning the vegetable drawer

1. Remove the contents of the drawer. Hold the handle of the vegetable drawer and pull it out completely until it stops.
2. Lift the vegetable drawer up and remove it by pulling it out.



ATTENTION

Soft towels or sponge dipped in water and non-corrosive neutral detergents are suggested for cleaning. The freezer shall be finally cleaned with clean water and dry cloth. Open the door for natural drying before the power is turned on. Do not use hard brushes, clean steel balls, wire brushes, abrasives, such as toothpastes, organic solvents (such as alcohol, acetone, banana oil, etc.), boiling water, acid or alkaline items clean refrigerator considering that this may damage the fridge surface and interior.

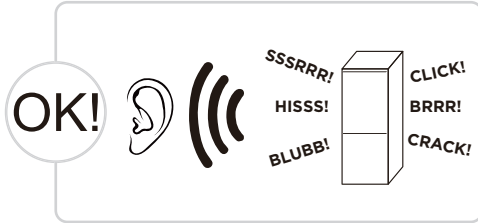
TROUBLESHOOTING

The following simple issues can be handled by the user. Please call the after-sale service department if the issues are not solved.

Problem	Possible reason
Failed operation	<ul style="list-style-type: none"> • Check whether the appliance is connected to power or whether the plug is in well contact
	<ul style="list-style-type: none"> • Check whether the voltage is too low
	<ul style="list-style-type: none"> • Check whether there is a power failure or partial circuits have tripped
Odor	<ul style="list-style-type: none"> • Odorous foods shall be tightly wrapped
	<ul style="list-style-type: none"> • Check whether there is any rotten food
	<ul style="list-style-type: none"> • Clean the inside of the refrigerator
Long-time operation of the compressor	<ul style="list-style-type: none"> • Long operation of the refrigerator is normal in summer when the ambient temperature is high
	<ul style="list-style-type: none"> • It is not suggestible having too much food in the appliance at the same time
	<ul style="list-style-type: none"> • Food shall get cool before being put into the appliance
	<ul style="list-style-type: none"> • The doors are opened too frequently
Light fails to get lit	<ul style="list-style-type: none"> • Check whether the refrigerator is connected to power supply and whether the illuminating light is damaged
	<ul style="list-style-type: none"> • Have the light replaced by a specialist
Door can not be properly closed	<ul style="list-style-type: none"> • The door is stuck by food packages
	<ul style="list-style-type: none"> • The refrigerator is tilted.
Loud noises	<ul style="list-style-type: none"> • Check whether the floor is level and whether the refrigerator is placed stably
	<ul style="list-style-type: none"> • Check whether accessories are placed at proper locations

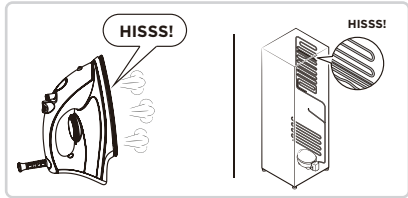
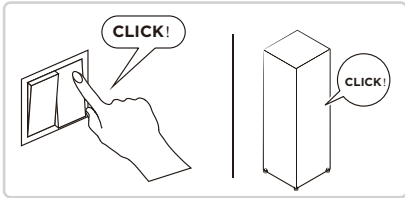
Problem	Possible reason
Door seal fails to be tight	<ul style="list-style-type: none"> • Remove foreign matters on the door seal • Heat the door seal and then cool it for restoration (or blow it with an electrical drier or use a hot towel for heating)
Water pan overflows	<ul style="list-style-type: none"> • There is too much food in the chamber or food stored contains too much water, resulting in heavy defrosting • The doors are not closed properly, resulting in frosting due to entry of air and increased water due to defrosting
Hot housing	<ul style="list-style-type: none"> • Heat dissipation of the built-in condenser via the housing, which is normal. When housing becomes hot due to high ambient temperature, storage of too much food or shutdown of the compressor is shut down, provide sound ventilation to facilitate heat dissipation
Surface condensation	<ul style="list-style-type: none"> • Condensation on the exterior surface and door seals of the refrigerator is normal when the ambient humidity is too high. Just wipe the condensate with a clean towel.
Abnormal noise	<ul style="list-style-type: none"> • Buzz: The compressor may produce buzzes during operation, and the buzzes are loud particularly upon start or stop. This is normal. • Creak: Refrigerant flowing inside of the appliance may produce creak, which is normal.

Do you hear these abnormal sounds as below? Usually these sounds are normal.



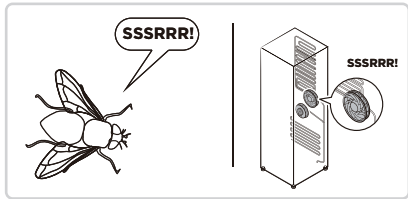
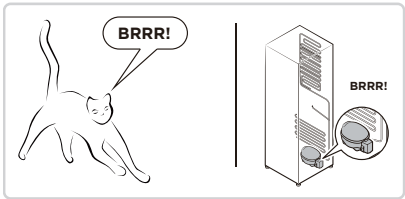
CLICK: Some electrical parts in the refrigerator, such as electric valve will make this noise when working. This is normal.

HISS: When the refrigerant flows into the evaporator, it will make this noise. This is normal.



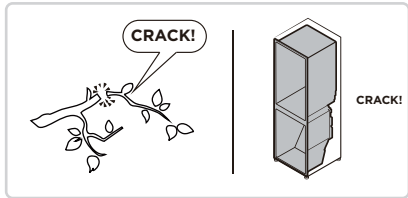
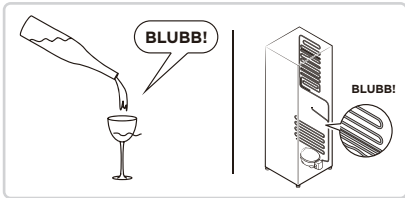
BRRR: The compressor will make this noise when working, and the buzzes are loud particularly upon start or stop. This is normal.

SSSRRR: The fan motor in the No frost refrigerator will make this noise when working. This is normal.



BLUBB: Refrigerant flowing through the pipes in the refrigerator will make this noise. This is normal.

CRACK: Cracking sound or broken ice sound: the overall structure of the refrigerator, air duct frost will be with the thermal expansion and contraction of the expansion sound, these are also normal physical phenomenon.



APPENDIX

Special for new European standard

The ordered parts in the following table can be acquired from Service provider channel

Ordered part	Provided by	Minimum time required for Provision
Thermostats	Professional maintenance personnel	At least 7 years after the last model is launched on the market
Temperature sensors	Professional maintenance personnel	At least 7 years after the last model is launched on the market
Printed circuit boards	Professional maintenance personnel	At least 7 years after the last model is launched on the market
Light sources	Professional maintenance personnel	At least 7 years after the last model is launched on the market
Door handles	Professional repairers and final users	At least 7 years after the last model is launched on the market
Door hinges	Professional repairers and final users	At least 7 years after the last model is launched on the market
Trays	Professional repairers and final users	At least 7 years after the last model is launched on the market
Baskets	Professional repairers and final users	At least 7 years after the last model is launched on the market
Door gaskets	Professional repairers and final users	At least 10 years after the last model is launched on the market

Dear customer

1. If you want to return or replace the product, please contact the store where you buy.
(Remember to bring the purchase invoice)
2. If your product breaks down which needs to repair, please contact after-sales service provider.

ATTENTION

The model information in the product database, as well as the model identifier, can be obtained through a weblink scanned by a QR code, if any, on the energy efficiency label of the product.

For more information about the energy efficiency of the appliance, visit <https://ec.europa.eu> and search using the model name.

The model name can be found on the rating label of the appliance.