

WINDOW TYPE ROOM AIR CONDITIONER

USER MANUAL

MODEL NUMBER

MAW05M1WWT	MAW05R1WBL
MAW05M1WBL	MAW06R1WWT
MAW05R1WWT	MAW06R1WBL
MAW05R1WWT-T	MAW05R1WBL-T
MAW06R1WWT-T	MAW06R1WBL-T



Warning notices: Before using this product, please read this manual carefully and keep it for future reference. The design and specifications are subject to change without prior notice for product improvement.

Consult with your dealer or manufacturer for details.

The diagram above is just for reference. Please take the appearance of the actual product as the standard.

THANK YOU LETTER

Thank you for choosing Midea! Before using your new Midea product, please read this manual thoroughly to ensure that you know how to operate the features and functions that your new appliance offers in a safe way.

CONTENTS

THANK YOU LETTER	02
SAFETY PRECAUTIONS	03
OPERATING INSTRUCTIONS	10
INSTALLATION INSTRUCTIONS	17
CARE AND CLEANING	22
TROUBLESHOOTING TIPS	23
REMOTE CONTROL INSTRUCTIONS	25
WARRANTY AND RETURN POLICY	31

Read This Manual

Inside you'll find many helpful hints on how to use and maintain your air conditioner properly. Just a little preventive care on your part can save you a great deal of time and money over the life of your air conditioner. You'll find many answers to common problems in the troubleshooting tips - you should be able to fix most of them quickly before calling service. These instructions may not cover every possible condition of use, so common sense and attention to safety is required when installing, operating and maintaining this product.



CAUTION

- For support, please call the Service Center at 1-866-646-4332.
- This appliance is not intended for use by people (including children) with reduced physical, sensory or mental capabilities or lack of experience and knowledge, unless they have been given supervision or instruction concerning use of the appliance by a person responsible for their safety.
- Children should be supervised to ensure that they do not play with the air conditioner.
- The appliance shall be installed in accordance with national wiring regulations.
- Do not operate your air conditioner in a humid room such as a bathroom or laundry room.

SAFETY PRECAUTIONS

Must read the warning message.

Read Safety Precautions Before Operation and Installation

To prevent death or injury to the user or other people and property damage, the following instructions must be followed.

Incorrect operation due to ignoring of instructions may cause death, harm or damage.

Explanation of Symbols



WARNING

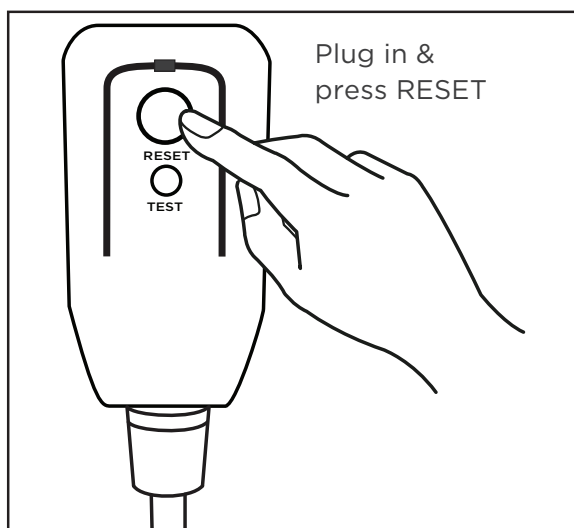
This symbol indicates the possibility of personnel injury or loss of life.



CAUTION

This symbol indicates the possibility of property damage or serious consequences.

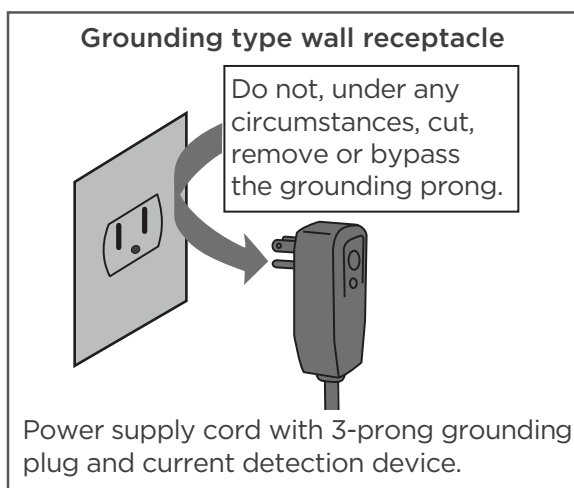
Operation of Current Device



The power supply cord contains a measurement current device that senses damage to the power cord. Test your power supply cord as follows:

1. Plug in the air conditioner.
2. The power supply cord will have TWO buttons on the plug head. Press the TEST button. You will notice a click as the RESET button pops out.
3. Press the RESET Button. You will notice a click as the button engages.
4. The power supply cord is now supplying electricity to the unit. (On some products this is also indicated by a light on the plug head.)

NOTICE



The power supply cord with this air conditioner contains a current detection device designed to reduce the risk of fire.

In the event that the power supply cord is damaged, it can not be repaired. It must be replaced with a cord from the manufacturer.

NOTICE

- Do not use this device to turn the unit on or off.
- Always make sure the RESET button is pushed in for correct operation.
- The power supply must be replaced if it fails to reset when either the TEST button is pushed, or it can not be reset. Please contact Customer Service.

⚠ WARNING

- Installation must be performed according to the installation instructions. Improper installation can cause water leakage, electrical shock, or fire.
- Use only the included accessories and parts, and specified tools for the installation. Using nonstandard parts can cause water leakage, electrical shock, fire, and injury or property damage.
- Make sure that the outlet you are using is grounded and has the appropriate voltage. The power cord is equipped with a three-prong grounding plug to protect against shock. Voltage information can be found on the nameplate of the unit.
- Your unit must be used in a properly grounded wall receptacle. If the wall receptacle you intend to use is not adequately grounded or protected by a time delay fuse or circuit breaker (the fuse or circuit breaker needed is determined by the maximum current of the unit. The maximum current is indicated on the nameplate located on unit), have a qualified electrician install the proper receptacle.
- Do not touch the unit with wet or damp hands or when barefoot.
- If the air conditioner is knocked over during use, turn off the unit and unplug it from the main power supply immediately. Visually inspect the unit to ensure there is no damage. If you suspect the unit has been damaged, contact a technician or customer service for assistance.
- In a thunderstorm, the power must be cut off to avoid damage to the machine due to lightning.
- Your air conditioner should be used in such a way that it is protected from moisture. e.g. condensation, splashed water, etc. Do not place or store your air conditioner where it can fall or be pulled into water or any other liquid. Unplug immediately if it occurs.
- Install the unit on a flat, sturdy surface. Failure to do so could result in damage or excessive noise and vibration.
- The unit must be kept free from obstruction to ensure proper function and to mitigate safety hazards.
- Do not modify the length of the power cord or use an extension cord to power the unit.
- Do not share a single outlet with other electrical appliances. Improper power supply can cause fire or electrical shock.
- Do not install your air conditioner in a wet room such as a bathroom or laundry room. Too much exposure to water can cause electrical components to short circuit.
- Do not install the unit in a location that may be exposed to combustible gas, as this could cause fire.

- The unit has wheels to facilitate moving. Make sure not to use the wheels on thick carpet or to roll over objects, as these could cause tipping.
- Do not operate a unit that it has been dropped or damaged.
- The appliance with electric heater shall have at least 1 meter space to the combustible materials.
- All wiring must be performed strictly in accordance with the wiring diagram located inside of the unit.
- The unit's circuit board(PCB) is designed with a fuse to provide overcurrent protection. The specifications of the fuse are printed on the circuit board, such as: T 3.15A/250V, etc.
- When the water drainage function is not in use, keep the upper and the lower drain plug firmly to the unit to get rid of choking. When the drain plug is not in use, keep it carefully to prevent children from choking.

CAUTION

- This appliance is not intended for use by persons (including children) with reduced physical, sensory or mental capabilities or lack of experience and knowledge, unless they have been given supervision or instruction concerning use of the appliance by a person responsible for their safety. Children should be supervised to ensure that they do not play with the appliance. Children must be supervised around the unit at all times.
- If the supply cord is damaged, it must be replaced by the manufacturer, its service agent or similarly qualified persons in order to avoid a hazard .
- Do not use this product for functions other than those described in this instruction manual.
- Before cleaning, turn off the power and unplug the unit.
- Disconnect the power if strange sounds, smell, or smoke comes from it.
- Do not press the buttons on the control panel with anything other than your fingers.
- Do not remove any fixed covers. Never use this appliance if it is not working properly, or if it has been dropped or damaged.
- Do not operate or stop the unit by inserting or pulling out the power cord plug.
- Do not use hazardous chemicals to clean or come into contact with the unit. Do not use the unit in the presence of inflammable substances or vapour such as alcohol, insecticides, petrol, etc.
- Prior to cleaning or other maintenance, the appliance must be disconnected from the supply mains.

- Do not remove any fixed covers. Never use this appliance if it is not working properly, or if it has been dropped or damaged .
- Do not run cord under carpeting. Do not cover cord with throw rugs, runners, or similar coverings. Do not route cord under furniture or appliances. Arrange cord away from traffic area and where it will not be tripped over.
- Do not operate unit with a damaged cord, plug, power fuse or circuit breaker. Discard unit or return to an authorized service facility for examination and/or repair.
- To reduce the risk of fire or electric shock, do not use this fan with any solid-state speed control device.
- The appliance shall be installed in accordance with national wiring regulations.
- Contact the authorized service technician for repair or maintenance of this unit.
- Do not cover or obstruct the inlet or outlet grilles.
- Always transport your air conditioner in a vertical position and stand on a stable, level surface during use.
- Always contact a qualified person to carry out repairs. If the damaged power supply cord must be replaced with a new power supply cord obtained from the product manufacturer and not repaired.
- Hold the plug by the head of the power plug when taking it out.
- Turn off the product when not in use.



A2L

CAUTION:
Risk of fire
flammable materials

IMPORTANT NOTE: Read this manual carefully before installing or operating your new appliance unit. Make sure to save this manual for future reference.

Explanation of symbols displayed on the unit

	CAUTION	This symbol shows that the operation manual should be read carefully.
	CAUTION	This symbol shows that a service personnel should be handling this equipment with reference to the installation manual.
	CAUTION	This symbol shows that information is available such as the operating manual or installation manual.

WARNING:

- Servicing shall only be performed as recommended by the equipment manufacturer. Maintenance and repair requiring the assistance of other skilled personnel shall be carried out under the supervision of the person competent in the use of flammable refrigerants.
- DO NOT modify the length of the power cord or use an extension cord to power the unit.
- DO NOT share a single outlet with other electrical appliances. Improper power supply can cause fire or electrical shock.

Please follow the instruction carefully to handle, install, clear, service the appliance to avoid any damage or hazard.

Flammable

Refrigerant R32 is used within appliance.

- When maintaining or disposing the appliance, the refrigerant (R32) shall be recovered properly, shall not discharge to air directly.
- Compliance with national gas regulations shall be observed.
- Keep ventilation openings clear of obstruction.
- The appliance shall be stored so as to prevent mechanical damage from occurring.
- A warning that the appliance shall be stored in a well-ventilated area where the room size corresponds to the room area as specified for operation.
- Any person who is involved with working on or breaking into a refrigerant circuit should hold a current valid certificate from an industry-accredited assessment authority, which authorises their competence to handle refrigerants safely in accordance with an industry recognised assessment specification.

Examples for such working procedures are:

- breaking into the refrigerating circuit;
 - opening of sealed components;
 - opening of ventilated enclosures.
-
- No any open fire or device like switch which may generate spark/arc shall be around appliance to avoid causing ignition of the flammable refrigerant used. Please follow the instruction carefully to store or maintain the appliance to prevent mechanical damage from occurring.
 - Do not use means to accelerate the defrosting process or to clean, other than those recommended by the manufacturer.
 - The appliance shall be stored in a room without continuously operating ignition sources (for example: open flames, an operating gas appliance) and ignition sources or (for example: an operating electric heater) close to the appliance. The appliance shall be stored in a room without continuously operating ignition sources (for example: open flames, an operating gas appliance or an operating electric heater).
 - Do not pierce or burn.
 - Be aware that the refrigerants may not contain an odour.

Operating Instructions

Normal Sounds

MAW05M Model

Sound of Rushing Air

In front of the unit, you may hear the sound of rushing air being moved by the fan.

High Pitched Sound

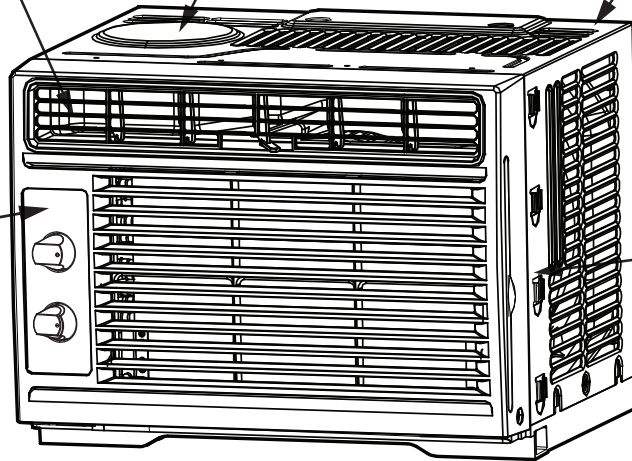
Move arrow to point to compressor as shown

Trickling Sound

Droplets of water hitting condenser during normal operation may cause a trickling sound.

Gurgle/Hiss

Gurgling or hissing noises may be heard due to refrigerant flowing through evaporator during normal operation.



Vibration

Unit may vibrate and make noise because of poor wall or window construction or incorrect installation.

MAW05R/MAW06R Models

Sound of Rushing Air

In front of the unit, you may hear the sound of rushing air being moved by the fan.

High Pitched Sound

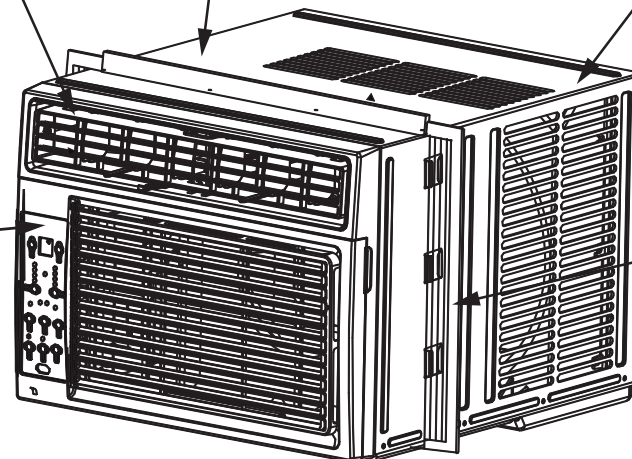
Move arrow to point to compressor as shown

Trickling Sound

Droplets of water hitting condenser during normal operation may cause a trickling sound.

Gurgle/Hiss

Gurgling or hissing noises may be heard due to refrigerant flowing through evaporator during normal operation.



Vibration

Unit may vibrate and make noise because of poor wall or window construction or incorrect installation.

NOTICE

All the pictures in this manual are for illustrative purposes only. The actual appearance of the air conditioner you purchased may vary slightly, but its operation and functions will be similar.

Air Conditioner Operation

This air conditioner is designed to be operated under the following conditions:

Cooling Operation	Outdoor temp.: 64-109°F/18-43°C
	Indoor temp.: 62-90°F/17-32°C
Heating Operation	Outdoor temp.: 23-76°F/-5-24°C
	Indoor temp.: 32-80°F/0-27°C

WARNING

To reduce the risk of fire, electrical shock, personal injury or property, read the SAFETY PRECAUTIONS before operating this appliance.

NOTE

Always wait 3 minutes when turning the unit off and then on again, or when changing from cool to fan and back to cool. This prevents compressor from overheating and possible tripping.

TO BEGIN OPERATING THE AIR CONDITIONER, FOLLOW THESE STEPS:

1. Set the temperature to the coldest setting.
2. Set the control to HIGH COOL.
3. Adjust the louver for comfortable air flow (see Air Directional Louvers).
4. Once the room feels cool, adjust to the temperature you find most comfortable.
5. Make sure that the air flow inside and outside are not obstructed by anything.

NOTICE

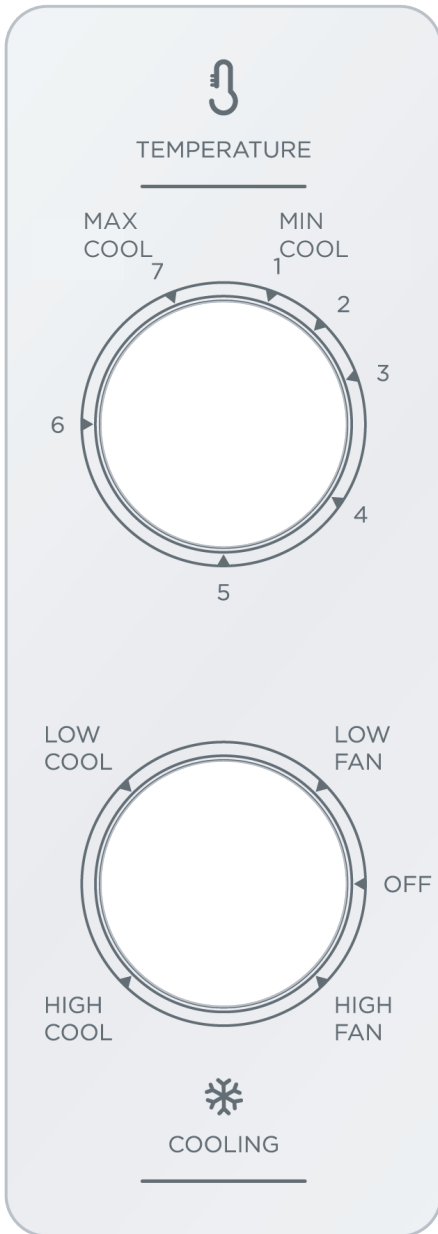
- The relative humidity of room should be less than 80%. If the unit is used in a condition with a relative humidity over 80%, there will be condensed water on the surface of the unit.
- Performance may be reduced outside of these operating temperatures.

Before you begin, thoroughly familiarize yourself with the control panel as shown below and all its functions, then follow the symbol for the functions you desire. The unit can be controlled by the unit control panel alone or with the remote control.

Air Conditioner Features - MAW05M Model

NOTICE

The controls featured in this manual are representative of many available models. Your model's features and appearance may vary slightly.



UNIT CONTROL

THERMOSTAT

The thermostat is used to set the desired room temperature when the unit is being operated in the COOL MODE.

To set the desired room temperature, rotate the thermostat switch to the desired setting. After the set temperature is achieved the thermostat will automatically start and stop the compressor in order to maintain the desired set temperature.

Rotate the thermostat selector clockwise for higher cool settings. Higher cool settings will provide lower room temperature. Rotate the thermostat selector counter clockwise for lower cool settings. Lower cool settings will provide higher room temperature.

COOL MODE

The desired cool setting is selected by rotating the knob clockwise to the desired position.

High Cool has maximum cooling effect and airflow.

Low Cool has minimum cooling effect and airflow.

FAN MODE

Rotate the knob counter clockwise to select your choice of fan speeds for air circulation.

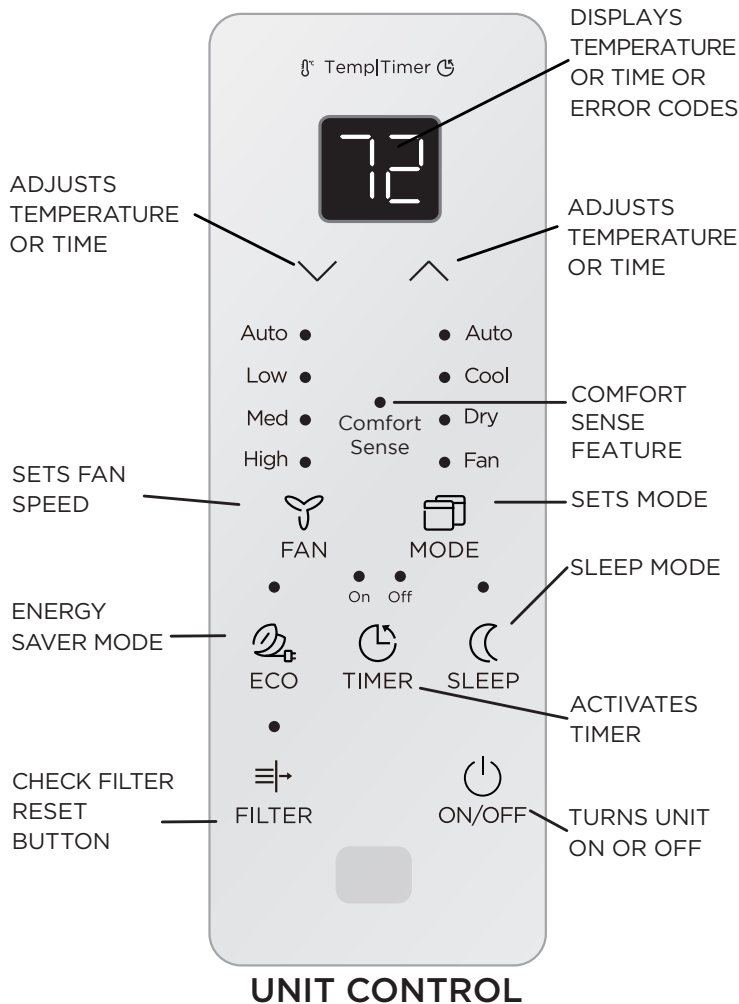
NOTICE

When selecting a fan speed, the compressor will not run.

Air Conditioner Features - MAW05R/MAW06R Models

ELECTRONIC CONTROL OPERATING INSTRUCTIONS

Before you begin, thoroughly familiarize yourself with the control panel as shown below and all its functions, then follow the symbol for the functions you desire. The unit can be controlled by the unit control alone or with the remote controller.



TO TURN UNIT ON OR OFF:

Press ON/OFF button to turn unit on or off.

NOTICE

The unit will automatically initiate the Energy Saver function under Cool, Dry, Auto (only Auto-Cooling and Auto-Fan) modes.

TO CHANGE TEMPERATURE SETTING:

Press Power button to turn unit on or off.

NOTICE

Press or hold either UP/DOWN button until the desired temperature is seen on the display. This temperature will be automatically maintained anywhere between 62°F (17°C) and 86°F (30°C). If you want to display the actual room temperature, see To Operate on Fan Only section.

TO ADJUST FAN SPEEDS:

Press to select the Fan Speed in four steps-Auto, Low, Med or High. Each time the button is pressed, the fan speed mode is changed. On Dry mode, the fan operates on Low speed automatically.

SLEEP FEATURE:

Press Sleep button to initiate the sleep mode. In this mode the selected temperature will increase by 2°F/1 (or 2)°C 30 minutes after the mode is selected. The temperature will then increase by another 2°F/1 (or 2)°C after an additional 30 minutes. This new temperature will be maintained for 7 hours before it returns to the originally selected temperature. The Sleep mode program can be cancelled at any time during operation by pressing the Sleep button again.

CHECK FILTER FEATURE:

The Check Filter feature is a reminder to clean the air filter for a more efficient operation. The light will illuminate after 250 hours of operation. After cleaning the filter, press the Filter button to reset the Check Filter function turning the light off.

ENERGY SAVER FEATURE:

Press Energy Saver button to initiate this function. This function is available on COOL, DRY, AUTO (only AUTO-COOLING and AUTO-FAN) modes. The fan will continue to run for 3 minutes after the compressor shuts off. The fan then cycles on for 2 minutes at 10 minute intervals until the room temperature is above the set temperature, at which time the compressor turns back on and Cooling resumes.

COMFORTSENSE FEATURE:

The ComfortSense function enables the remote control to measure the temperature at its current location. When using AUTO, COOL, or HEAT functions, measuring ambient temperature from the remote control (instead of from the indoor unit itself) will enable the air conditioner to optimize the temperature around you and ensure maximum comfort.

This feature can be activated from the remote control ONLY.

The remote control will send this signal to the air conditioner every 3 minutes interval until press the ComfortSense button again. If the unit does not receive the ComfortSense signal during any 7 minutes interval, the unit will beep to indicate the ComfortSense mode has ended.

TO SELECT THE OPERATING MODE:

To choose the operating mode, press the Mode button the unit cycles through the modes, Auto, Cool, Dry, and Fan. The adjacent indicator light will remain on once the mode is selected.

The unit will automatically initiate the Energy Saver function under Cool, Dry, Auto (only Auto-Cooling and Auto-Fan) modes.

To operate on Auto mode:

- The fan speed is automatically controlled based on the temperature setting and room temperature and cannot be adjusted.
- The air conditioner will control room temperature automatically according to the temperature you've set.
- In this mode, the fan speed cannot be adjusted, as it's automatically controlled according to the temperature setting and room temperature.

To operate on Fan Only:

- Use this function only when cooling is not desired, such as for room air circulation or to exhaust stale air (on some models). (Remember to open the vent during this function, but keep it closed during cooling for maximum cooling efficiency.) You can choose any fan speed you prefer.
- During this function, the display will show the actual room temperature, not the set temperature as in the cooling mode.
- In Fan Only mode, the temperature is not adjusted.

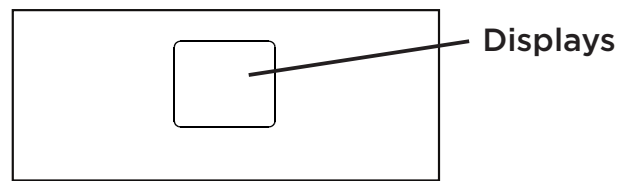
To operate on Dry mode:

In this mode, the air conditioner will generally function as a dehumidifier. Since the conditioned space is a closed or sealed area, some degree of cooling will occur.

TIMER: AUTO START/STOP FEATURE:

- When the unit is on or off, first press the Timer button. The TIMER ON indicator light illuminates indicating the Auto Start program has initiated.
- When the time of TIMER ON is displayed, press the Timer button again. The TIMER OFF indicator light illuminates. It indicates the Auto Stop program has initiated.
- Press or hold the UP or DOWN button to change the Auto time by 0.5 hour increments, up to 10 hours, then at 1 hour increments up to 24 hours. The control will count down the time remaining until start.
- The selected time will register in 5 seconds, and the system will automatically revert back to display the previous temperature setting or room temperature when the unit is on. (when the unit is off, there is no display.)
- Turning the unit ON or OFF at any time or adjusting the timer setting to 0.0 will cancel the Auto Start/Stop timed program.
- If setting ON 0.5 and OFF 1 at the same time, the unit will be activated in 0.5 hour, operates for 0.5 hour and then stops.

Displays:



Shows the set temperature in “°C” or “°F” and the Auto-timer settings. While on Fan Only mode, it shows the room temperature.

Error codes:

- AS** - Room temperature sensor error - Unplug the unit and plug it back in. If error repeats, call for service.
NOTE: In Fan only mode, if the room temperature too low or too high, it will display “LO” or “HI”
- ES** - Evaporator temperature sensor error - Unplug the unit and plug it back in. If error repeats, call for service.

NOTICE

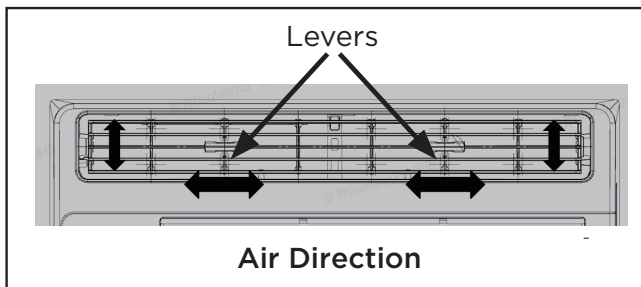
If the unit shuts off unexpectedly due to the power outage, it will restart with the previous function setting automatically when the power resumes.

Additional Information

Now that you understand the operating procedure, here are more features in your control that you should become familiar with.

- The Cool circuit has an automatic 3 minute time delayed start if the unit is turned off and on quickly. This prevents overheating of the compressor and possible circuit breaker tripping. The fan will continue to run during this time.
- The control can display temperature in Fahrenheit or Celsius. To convert from one to the other, press and hold the UP/DOWN Temp/Timer buttons at the same time, for 3 seconds.

AIR DIRECTIONAL LOUVERS



The louvers will allow you to direct the air flow Up or Down and Left or Right throughout the room as needed. Pivot horizontal louvers until the desired Up/Down direction is obtained. Move the Lever(s) from side to side until the desired Left/Right direction is obtained.

INSTALLATION INSTRUCTIONS

⚠ WARNING - Before You Begin

Read these instructions completely and carefully.

- **IMPORTANT** - Save these instructions for local inspector's use.
- **IMPORTANT** - Observe all governing codes and ordinances.
- Note to Installer - Be sure to leave these instructions with the consumer.
- Note to Consumer - Keep these instructions for future reference.
- Skill level - Installation of this appliance requires basic mechanical skills.
- Completion time - Approximately 1 hour. We recommend that two people install this product.

Proper installation is the responsibility of the installer.

Product failure due to improper installation is not covered under the Warranty.

You **MUST** use all supplied parts and use proper installation procedures as described in these instructions when installing this air conditioner.

Do not, under any circumstances, cut or remove the third (ground) prong from the power cord.

Do not change the plug on the power cord of the air conditioner.

Aluminum house wiring may present special problems - consult a qualified electrician.

When handling the unit, be careful to avoid cuts from sharp metal edges and aluminum on front and rear coils.

Your air conditioner is designed to install in standard double hung windows with opening widths of 23 to 36 inches (584mm to 914mm)

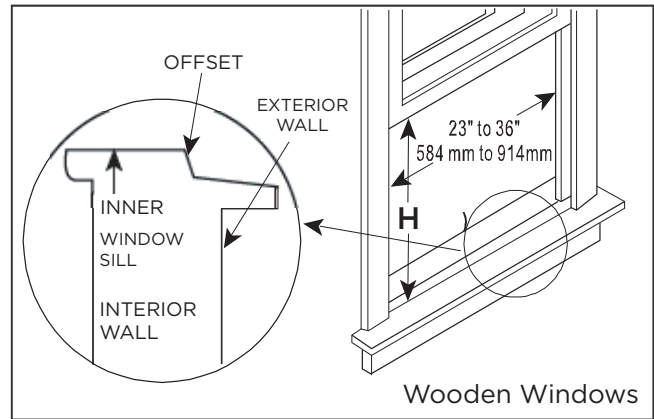
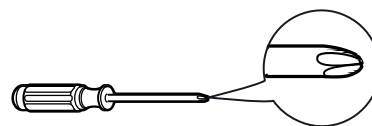


Table 1

Model	5000-6000 BTU/h
	13" (330mm)
H	

Tools You Will Need



Phillips
Screwdriver



Level

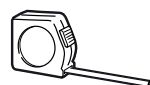
Tools You May Use



Flathead
Screwdriver



Pencil



Ruler or tape measure



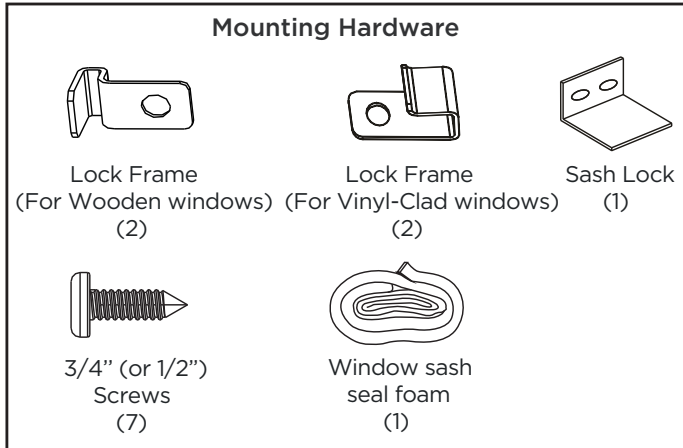
Scissors or knife

NOTICE

Save the carton and these installation instructions for future reference. The carton is the best way to store the unit when not in use.

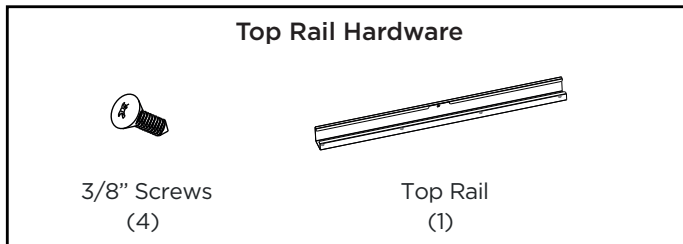
1. PREPARE THE WINDOW

Lower sash must open sufficiently to allow a clear vertical opening (see dimension H in Table 1). Side louvers and the rear of the AC must have clear air space to allow enough airflow through the condenser for heat removal. The rear of the unit must be outdoors, not inside a building or garage.



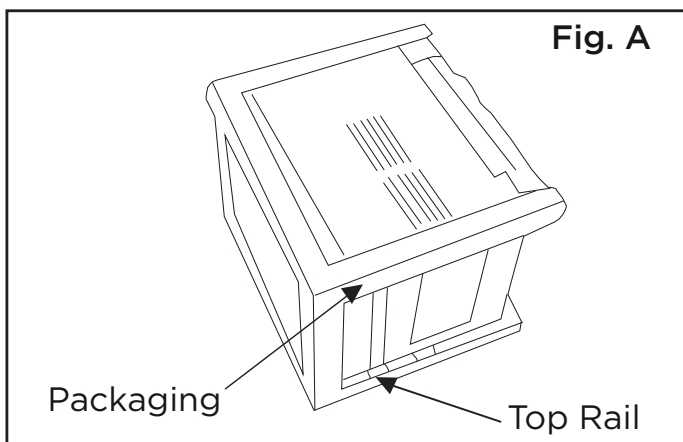
! CAUTION

When handling unit, be careful to avoid cuts from sharp metal edges and aluminum fins on front and rear coils.



2. PREPARE THE AIR CONDITIONER

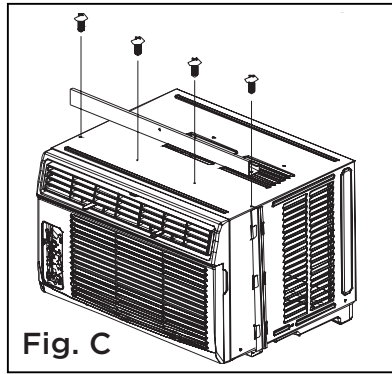
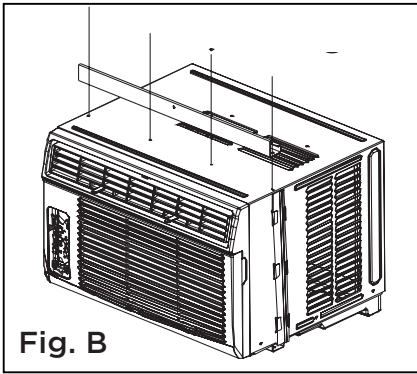
Before installing the unit, the top rail must be assembled on the unit.



A: Remove the air conditioner from the carton and place on a flat surface.

B: Remove top rail from the packaging material as shown in Fig. A.

C: Align the hole in the top rail with those in the top of the unit as shown in Fig. B.
 D: Secure the top rail to the unit with the 3/8" (9.5mm) screws as shown in Fig. C.



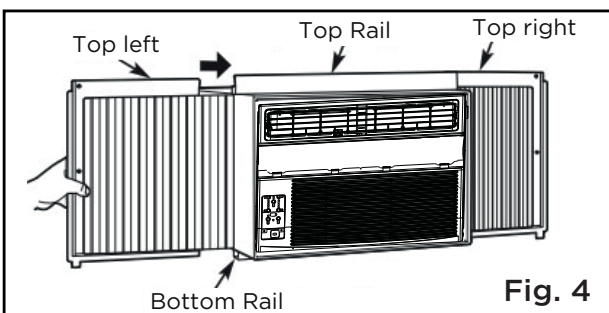
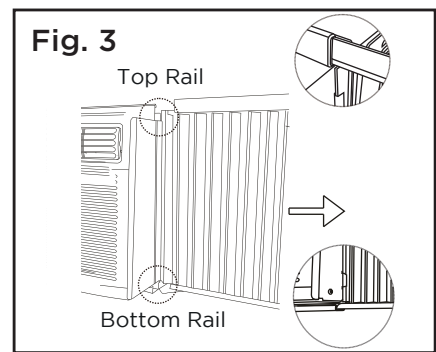
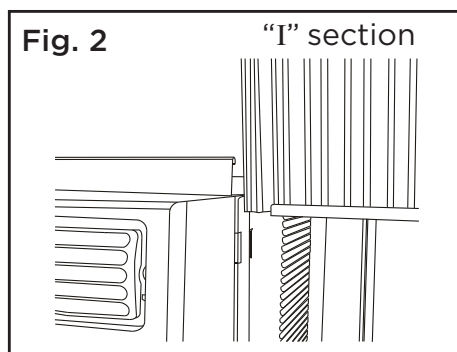
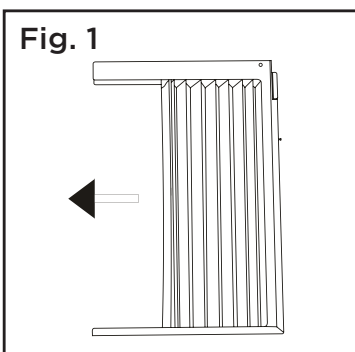
WARNING
 For safety reasons, all four (4) screws MUST be securely fastened.

3. INSTALL THE ACCORDION PANELS

NOTICE

The Top rail and Sliding Panels on each side are offset to provide the proper pitch to the rear of 5/16" (8mm). This is necessary for proper condensate management and drainage. If you are not using the side panels for any reason, this pitch to the rear must be maintained.

1. Place unit on the floor, a bench or a table. There is a left and right side accordion panel; be sure to use the proper panel for each side. When installed, the flange for securing the panel in place to the window sill will be facing into the room.
 - A. Hold the side panel in one hand and gently pull back the center to free the open end. See Fig. 1.
 - B. Slide the free and "I" section of the panel directly into the cabinet as shown in Fig. 2. Slide the panel down. Be sure to leave enough space to slip the top and bottom of the frame into the rails on the cabinet.
 - C. Once the panel has been installed on the side of the cabinet, make sure it sits securely inside the frame channel by making slight adjustments. Slide the top and bottom ends of the frame into the top and bottom rails of the cabinet. Fig. 3.

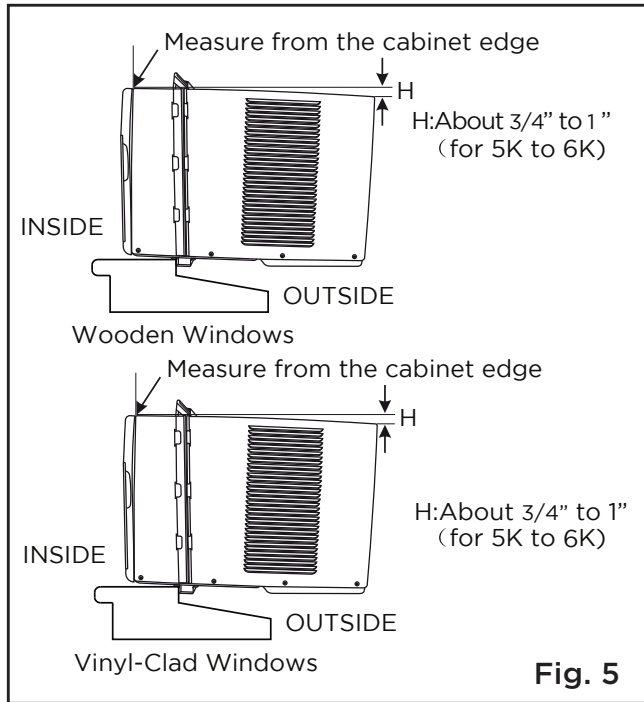


D. Slide the panel all the way in and repeat on the other side.

NOTICE

If storm window blocks AC, see Fig. 11.

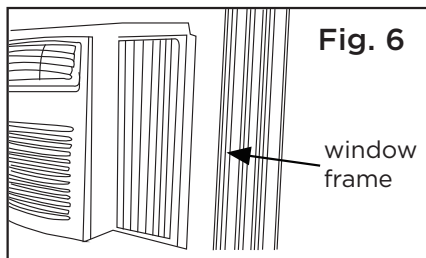
4. INSTALL AIR CONDITIONER



2. While keeping a firm grip on the air conditioner, carefully place the unit into the window opening so the bottom of the air conditioner frame is against the window sill (Fig. 5). Carefully close the window behind the top rail of the unit.

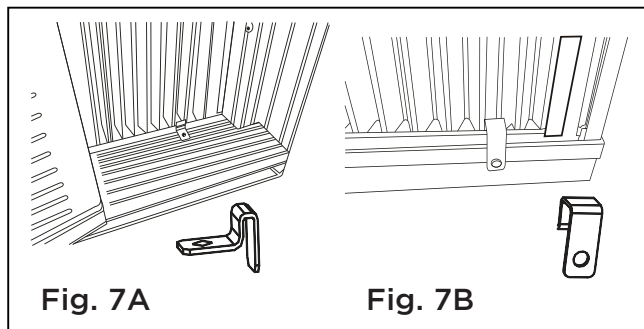
NOTICE

Check that air conditioner is tilted back per dimension H (Fig. 5) (tilted about 3° to 4° downward to the outside). After proper installation, condensate should not drain from the overflow drain hole during normal use. Adjust the slope if otherwise.



3. Extend the side panels out against the window frame (Fig. 6).

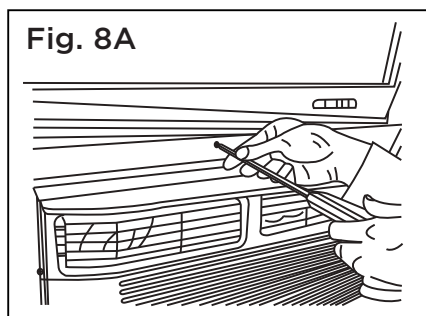
5. SECURE AIR CONDITIONER



- A. Place the frame lock between the frame extensions and the window sill as shown (Fig. 7A for Wooden windows), (Fig. 7B for Vinyl-Clad windows).

Drive $3/4$ " (19 mm) or $1/2$ " (12.7 mm) locking screws through the frame lock and into the sill.

NOTE: To prevent window sill from splitting, drill $1/8$ " (3 mm) pilot holes before driving screws.



- B1: For wooden windows:

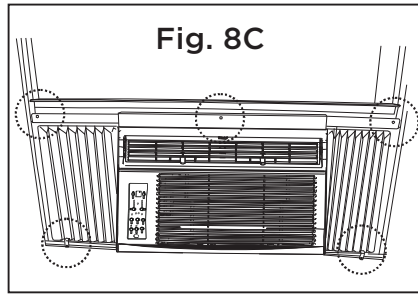
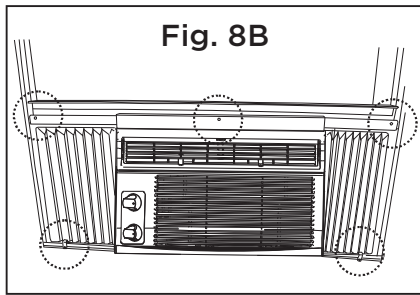
Drive $1/2$ " (12.7 mm) locking screws through the frame lock and into the sill (Fig. 8A).

NOTE: To prevent window sill from splitting, drill $1/8$ " (3mm) pilot holes before driving screws. Drive $1/2$ " (12.7mm) locking screws through frame holes into window sash (Fig. 8B/8C).

MAW05M Model

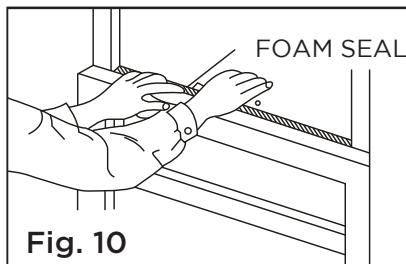
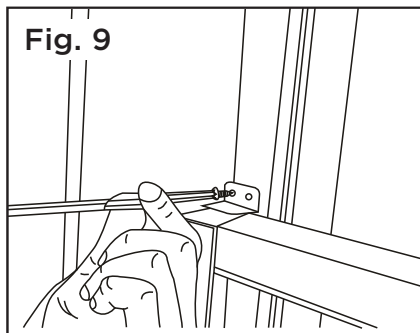
MAW05R/MAW06R Models

B2: For Vinyl-Clad windows:



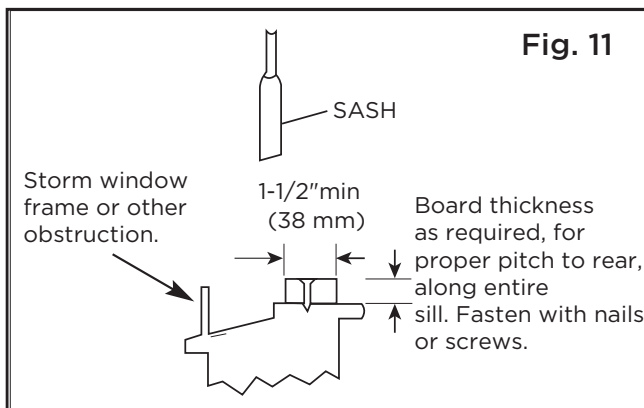
Drive 1/2" (12.7 mm) locking screws through the top rail and into the window sash (Fig. 8B/8C).

NOTE: Before driving the screws, drill 5 holes into the window through the holes of the top rail and side panel frames as shown (Fig. 8B/8C).



- C. Secure lower sash in place by attaching the sash lock with the 3/4" (19 mm) or 1/2" (12.7 mm) screw as shown (Fig. 9).
- D. Cut Window sash seal foam and insert it in the space between the upper and lower sashes (Fig. 10).

If AC is Blocked by Storm Window



Add wood as shown in Fig. 11, or remove storm window before air conditioner is installed.

If storm window frame must remain, be sure the drain holes or slots are not caulked or painted shut. Accumulated rain water or condensation must be allowed to drain out.

Removing AC From Window

- Turn AC off, and disconnect power cord.
- Remove sash seal from between windows, and unscrew sash lock.
- Remove screws installed through top rail and side panel frames.
- Close (slide) the side panels into the rails.
- Keeping a firm grip on the air conditioner, raise the sash and carefully remove.
- Be careful not to spill any condensate while lifting unit from window. Store parts WITH air conditioner.

CARE AND CLEANING

CAUTION

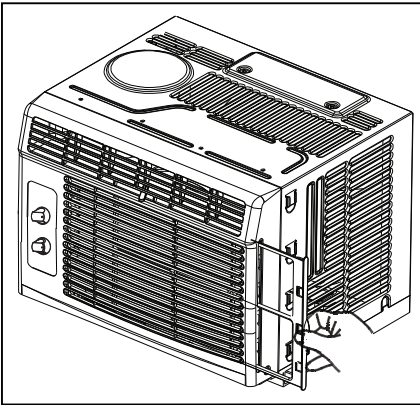
Clean your air conditioner occasionally to keep it looking new. Be sure to unplug the unit before cleaning to prevent shock or fire hazards.

Air Filter Cleaning

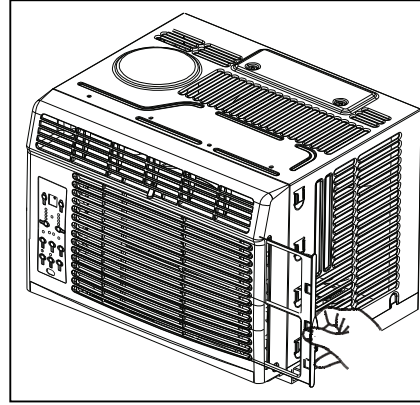
The air filter should be checked at least once a month to see if cleaning is necessary. Trapped particles in the filter can build up and cause an accumulation of frost on the cooling coils.

- Push the vent handle to the closed position (where applicable). Open the front panel.
- Take the filter by the center and pull up and out.
- Wash the filter using liquid dishwashing detergent and warm water. Rinse filter thoroughly.
- Gently shake excess water from the filter. Be sure the filter is thoroughly dry before replacing.
- You may also vacuum the filter clean rather than washing.

MAW05M Model



MAW05R/MAW06R Models



NOTICE

Never use hot water over 104°F (40°C) to clean the air filter. Never attempt to operate the unit without the air filter.

Cabinet Cleaning

- Be sure to unplug the air conditioner to prevent shock or fire hazard. The cabinet and front may be dusted with an oil-free cloth or washed with a cloth dampened in a solution of warm water and mild liquid dishwashing detergent. Rinse thoroughly and wipe dry.
- Never use harsh cleansers, wax or polish on the cabinet front.
- Be sure to wring excess water from the cloth before wiping around the controls. Excess water in or around the controls may cause damage to the air conditioner.
- Plug in air conditioner.

Winter Storage

If you plan to store the air conditioner during the winter, remove it carefully from the window according to the installation instructions. Cover it with plastic or return it to the original carton.

TROUBLESHOOTING TIPS

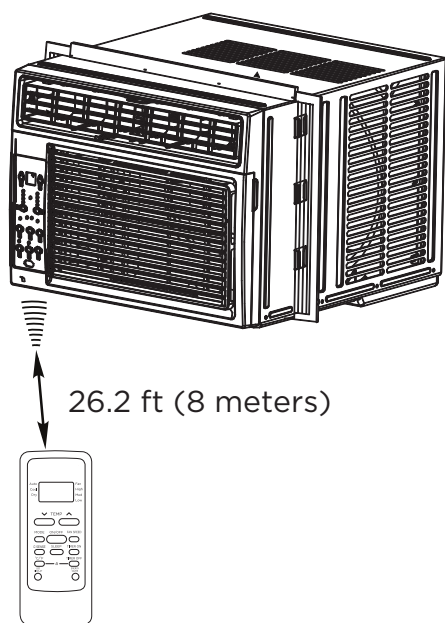
Before calling for service, review this list. It may save you time and expense. This list includes common occurrences that are not the result of defective workmanship or materials in this appliance.

Problem	Solution
Air conditioner does not start.	Wall plug disconnected. Push plug firmly into wall outlet.
	Circuit breaker tripped. Reset circuit breaker.
	Check if the light on the plug is on. If it is off, press the RESET button.
	Power is OFF. Turn power ON.
	Unit turned off and then on quickly. Turn unit off and wait 3 minutes before restarting.
Air from unit does not feel cold enough.	Room temperature below 62°F (17°C). Cooling may not occur until room temperature rises above 62°F (17°C).
	Temperature sensor behind the air filter is touching the cold coil. Try to move it so it does not contact the cold coil.
	Reset to a lower temperature.
	Compressor shut-off by changing modes. Wait approximately 3 minutes and listen for compressor to restart when set in the COOL mode.
	Check for potential obstructions blocking the outdoor intake/exhaust. Clear any obstructions.
Air conditioner cooling, but room is too warm- ice forming on cooling coil behind air filter.	Outdoor temperature below 64°F (18°C). To defrost the coil, set to FAN ONLY mode.
	Air filter may be dirty. Clean filter. Refer to Care and Cleaning section. To defrost, set to FAN ONLY mode.
	Thermostat set too cold for night-time cooling. To defrost the coil, set to FAN ONLY mode. Then, set temperature to a higher setting.
Air conditioner cooling, but room is too warm- NO ice forming on cooling coil behind air filter.	Dirty or restricted air filter. Clean filter. Refer to Care and Cleaning section. To defrost, set to FAN ONLY mode.
	Temperature is set too high, set temperature to a lower setting.
	Air directional louvers positioned improperly. Position louvers for better air distribution.
	Front of unit is blocked by drapes, blinds, furniture, etc. - restricts air distribution. Clear obstruction in front of unit.
	Any open doors, windows, or registers may allow cold air to escape. Close any doors, windows, or registers.
	The room may be too warm. Allow additional time to remove "stored heat" from walls, ceiling, floor and furniture.

Problem	Solution
Air conditioner turns on and off rapidly.	Dirty air filter - air restricted. Clean air filter.
	Outside temperature extremely hot. Set FAN speed to a higher setting to bring air past cooling coils more frequently.
	Check for potential obstructions blocking the outdoor intake/exhaust. Clear any obstructions.
Noise when unit is cooling.	Air movement sound. This is normal. If too loud, set to a slower FAN setting.
	Window vibration - poor installation. Refer to installation instructions or check with installer.
Water dripping INSIDE when unit is cooling.	Improper installation. Tilt air conditioner slightly to the outside to allow water drainage. Refer to installation instructions - check with installer.
Water dripping OUTSIDE when unit is cooling.	Unit removing large quantity of moisture from humid room. This is normal during excessively humid days.
Remote sensing deactivating prematurely (some models).	Remote control not located within range. Place remote control within 26.2 feet & 180°, radius of the front of the unit, and pointed in the general direction of the air conditioner unit.
	Remote control signal obstructed. Remove obstruction.
Room too cold.	Temperature setting too low. Increase temperature setting.
Noise when unit starts.	A “da-da” sound may occur for thirty seconds when the unit is turned on due to the compressor starting. It is normal.

REMOTE CONTROL INSTRUCTIONS

Handling the Remote Controller



LOCATION OF THE REMOTE CONTROLLER

Use the remote controller within a distance of 26.2 ft (8 meters) from the air conditioner, pointing it towards the receiver. Reception is confirmed by a beep.

! CAUTION

- The air conditioner will not operate if curtains, doors or other materials block the signals from the remote controller to the unit.
- Prevent any liquid from spilling onto the remote controller. Do not expose the remote controller to direct sunlight or heat.
- If the infrared signal receiver on the indoor unit is exposed to direct sunlight, the air conditioner may not function properly. Use curtains to prevent the sunlight from falling on the receiver.
- If other electrical appliances react to the remote controller, either move these appliances or consult your local dealer.

NOTES

- Button design is based on typical model and may vary slightly from the actual one you purchased.
- All the functions described are accomplished by the unit. If the unit is without a feature, the unit will not respond if the corresponding button on the remote is pressed.
- When there are significant differences between features or operation implied by the remote control illustration and the actual functions described in the USER'S MANUAL, the descriptions in the USER'S MANUAL shall prevail.

Function Buttons

TEMP DOWN Button

Press this button to decrease the indoor temperature setting.

ON/OFF Button

Operation starts when this button is pressed and stops when the button is pressed again.

NOTE: If the unit has ENERGY SAVER function, it will initiate automatically the Energy Saver function under Cool, Dry, and Auto (only Auto-Cooling and Auto-Fan) modes.

MODE Button

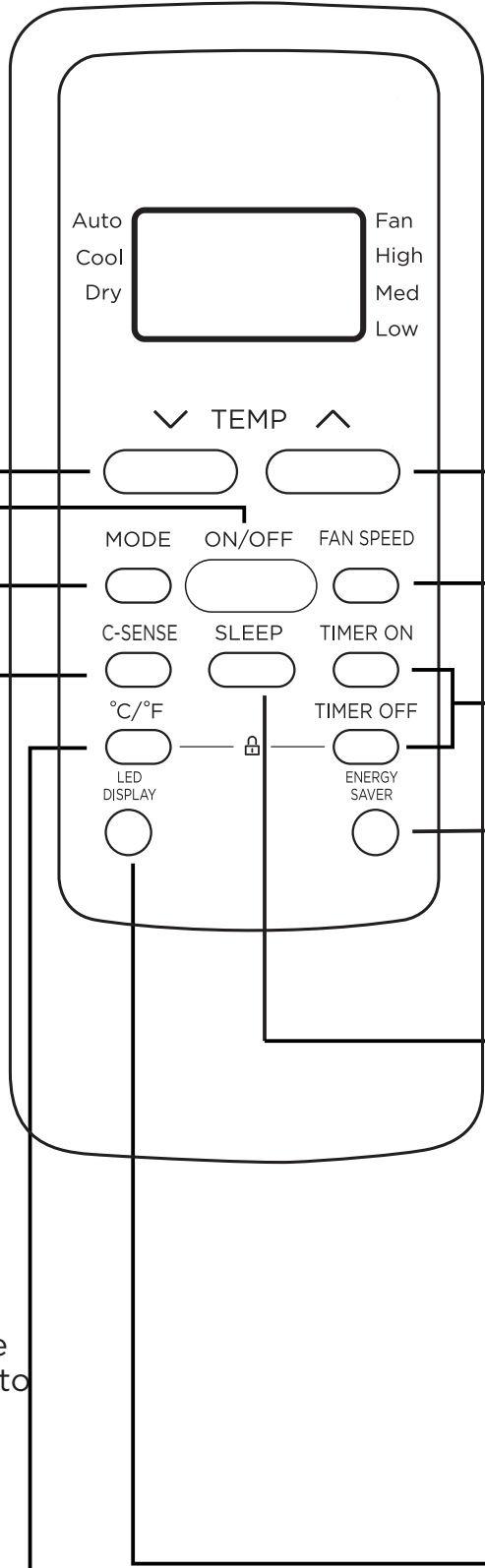
Press this button to select the desired operation mode.

COMFORTSENSE Button

Press this button to activate the ComfortSense mode, to optimize the temperature around you and ensure maximum comfort.

°C/°F Button

Press this button to change the temperature display between Celsius and Fahrenheit.



TEMP UP Button

Press this button to increase the indoor temperature setting.

SPEED Button

Used to select the desired fan speed.

TIMER Button

Press this button to activate the “Auto Start” or “Auto Stop” program.

ENERGY SAVER Button

Press this button to activate the Energy saving mode. Press it again to stop the function

SLEEP Button

Press this button to activate the Sleep mode. This function is available on COOL or AUTO mode only and will maintain the most comfortable temperature for you while saving energy. For more details, see “sleep operation” in Page 14

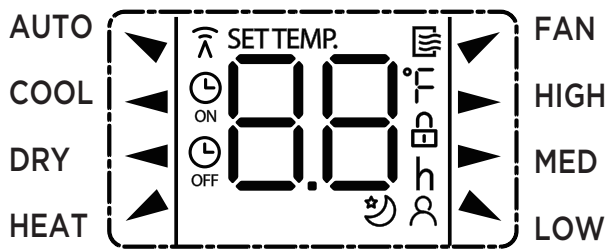
LED DISPLAY Button

Turns the unit’s LED display on/off

Operating Instructions (With Remote)

Remote Screen Indicators


Information are displayed when the remote controller is power up.



Mode display

AUTO ▼ COOL ◀ DRY ◀
HEAT ▲ ▼ FAN


 Displayed when data transmitted.


 Appears when the remote is enabled and can send a signal to the unit. If you would like to turn the remote off without affecting the unit, point the remote away from the unit and press the ON/OFF button.


To turn the remote on, point the remote away from the unit and press the ON/OFF button. The unit will not receive commands from the remote if this indicator is not illuminated.


 Displayed when TIMER ON time is set

 Displayed when TIMER OFF time is set

 Shows set temperature or room temperature, or time under TIMER setting

 Indicated all the current settings are locked

 Displayed when ComfortSense feature is activated (some units)

 Displayed when SLEEP feature is activated

Fan speed indication

▶ HIGH High speed

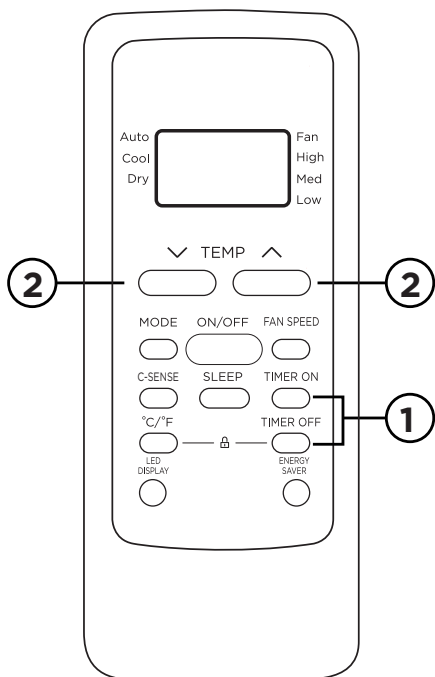
▶ MED Medium speed

▶ LOW Low speed

NO display Auto fan speed

Note:

All indicators shown in the figure are for the purpose of clear presentation. But during the actual operation, only the relative function signs are shown on the display window.



TIMER OPERATION

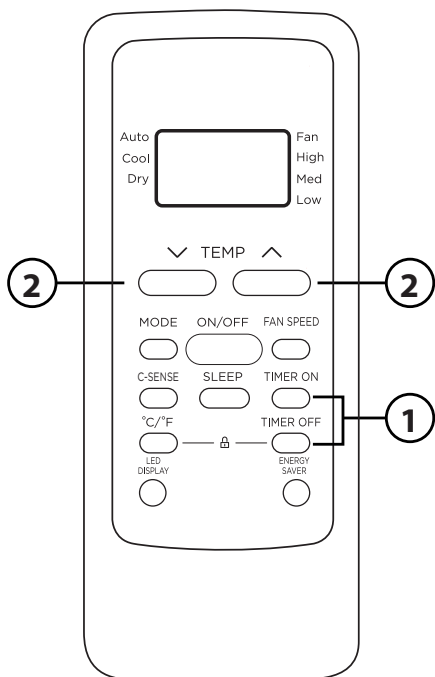
Press the TIMER button to initiate the Auto-start and Auto-stop setting program of the unit.

To set the Auto-start/stop time.

1. Press the TIMER button, when the TIMER ON indicator is displayed on the LED window of the air conditioner, it indicates the Auto Start setting program is initiated. When the TIMER OFF indicator is displayed on the LED window of the air conditioner, it indicates the Auto Stop setting program is initiated.
2. Press or hold the TEMP UP (^)/DOWN (∨) to change the Auto time. The control will count down the time remaining until start/stop.
3. The selected time will register in 5 seconds and the air conditioner will automatically revert back to display the previous temperature setting.
4. Turning the unit ON or OFF at any time will cancel the Auto Start/stop function.

NOTES

To cancel the TIMER setting, push the TIMER button and press or hold the TEMP UP (^)/DOWN (∨) until 0 hour is displayed on the LCD window of the air conditioner.



COMBINED TIMER

(Setting both ON and OFF timers simultaneously)

AUTO STOP > AUTO START

(On > Stop > Start operation)

This feature is useful when you want to stop the air conditioner after you go to bed, and start it again in the morning when you wake up or when you return home.

Example:

To stop the air conditioner 2 hours after setting and start it again 10 hours after setting.

1. Press the TIMER button until the TIMER OFF indicator is displayed on the LED display of the air conditioner.
2. Use the TEMP UP (^)/DOWN (v) button to display “2.0” on the LED display of the air conditioner.
3. Press the TIMER button again to display the TIMER OFF on the LED display of the unit.
4. Use the TEMP UP (^)/DOWN (v) button to display “10” on the LED display of the unit.
5. Wait for 5 seconds until the previous display appears in LED window.

AUTO START > AUTO STOP

(Off > Start > Stop operation)

This feature is useful when you want to start the air conditioner before you wake up and stop it after you leave the house.

Example:

To start the air conditioner 5 hours after setting, and stop it 8 hours after setting.

1. Press the TIMER button until the TIMER ON indicator is displayed on the LED display of the air conditioner.
2. Use the TEMP UP (^)/DOWN (v) button to display “5.0” on the LED display of the air conditioner.
3. Press the TIMER button again to display the TIMER OFF on the LED display of the unit.
4. Use the TEMP UP (^)/DOWN (v) button to display “8.0” on the LED display of the unit.
5. Wait for 5 seconds until the previous display appears in LED window.

NOTES

- Button design is based on a typical model and may slightly vary from the actual one you purchased.
- This device complies with part 15 of the FCC Rules. Operation is subject to the following two conditions: (1) This device may not cause harmful interference, and (2) this device must accept any interference received, including interference that may cause undesired operation.
- This equipment has been tested and found to comply with the limits for a Class B digital device, pursuant to part 15 of the FCC Rules. These limits are designed to provide reasonable protection against harmful interference in a residential installation. This equipment generates, uses and can radiate radio frequency energy and, if not installed and used in accordance with the instructions, may cause harmful interference to radio communications. However, there is no guarantee that interference will not occur in a particular installation. If this equipment does cause harmful interference to radio or television reception, which can be determined by turning the equipment off and on, the user is encouraged to try to correct the interference by one or more of the following measures:
 - Reorient or relocate the receiving antenna.
 - Increase the separation between the equipment and receiver.
 - Connect the equipment to an outlet on a circuit different from that to which the receiver is connected.
 - Consult the dealer or an experienced radio/TV technician for help.
 - Changes or modifications not approved by the party responsible for compliance could void users authority to operate the equipment.

Battery Warning:

Do not mix old and new batteries and Do not mix alkaline, standard (carbon-zinc) or rechargeable (ni-cad, ni-mh, etc.) batteries

Supplier's Declaration of Conformity 47 CFR § 2.1077 Compliance Information

Unique Identifier: Midea brand, RG51G(1)/CEFU1-1, RG51G(1)/CEFU1

Responsible Party U.S. Contact Information

Midea America Corporation
300 Kimball Dr
Parsippany NJ
07054

Telephone number or internet contact information: Midea.com/us

FCC Compliance Statement (products subject to Part 15)

This device complies with Part 15 of the FCC Rules. Operation is subject to the following two conditions: (1) This device may not cause harmful interference, and (2) this device must accept any interference received, including interference that may cause undesired operation.

WARRANTY

Air Conditioner Limited Warranty

Your product is protected by this Limited Warranty:

Warranty service must be obtained from Midea Consumer Services or an authorized Midea servicer.

Warranty

- One year full warranty from original purchase date.

Midea, through its authorized servicers will:

- Pay all costs for repairing or replacing parts of this appliance which prove to be defective in materials or workmanship.

Consumer will be responsible for:

- Diagnostics, removal, transportation and reinstallation cost required because of service.
- Costs of service calls that are a result of items listed under NORMAL RESPONSABILITIES OF THE CONSUMER**

Midea replacement parts shall be used and will be warranted only for the original warranty.

NORMAL RESPONSABILITIES OF THE CONSUMER**

This warranty applies only to products in ordinary household use, and the consumer is responsible for the items listed below:

1. Proper use of the appliance in accordance with instructions provided with the product.
2. Routine maintenance and cleaning necessary to keep the good working condition.
3. Proper installation by an authorized service professional in accordance with instructions provided with the appliance and in accordance with all local plumbing, electrical and/or gas codes.
4. Proper connection to a grounded power supply of sufficient voltage, replacement of blown fuses, repair of loosen connections or defects in house wiring.
5. Expenses for making the appliance accessible for servicing.
6. Damages to finish after installation.

EXCLUSIONS

This warranty does not cover the following:

- 1) Failure caused by damage to the unit while in your possession (other than damage caused by defect or malfunction), by its improper installation, or by unreasonable use of the unit, including without limitation, failure to provide reasonable and necessary maintenance or to follow the written installation and Operating Instructions.
- 2) Damages caused by services performed by persons other than authorized Midea customer service; or external causes such as abuse, misuse, inadequate power supply or acts of God.
- 3) If the unit is put to commercial, business, rental, or other use or application other than for consumer use, we make no warranties, express or implied, including but not limited to, any implied warranty of merchantability or fitness for use or purpose.
- 4) Products without original serial numbers or products that have serial numbers which have been altered or cannot be readily determined.

NOTE: Some states do not allow the exclusions or limitation of incidental or consequential damages. So this limitation or exclusion may not apply to you.

IF YOU NEED SERVICE

Keep your bill of sale, delivery slip, or some other appropriate payment Record.

The date on the bill establishes the warranty period, should service be required.

If service is performed, it's your best interest to obtain and keep all receipts.

This written warranty gives you specific legal rights. You may also have other rights that vary from state to state.

Service under this warranty must be obtained by following these steps, in order:

- 1) Contact Midea Consumer Services or an authorized Midea services at 1 866 646 4332.
- 2) If there is a question as to where to obtain service, contact our consumer relations Department.

RETURN POLICY

Return policy

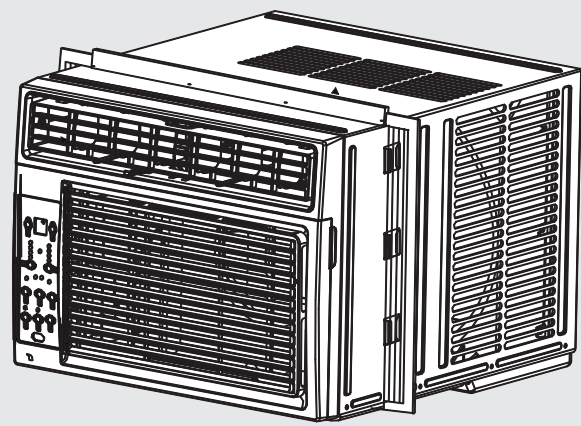
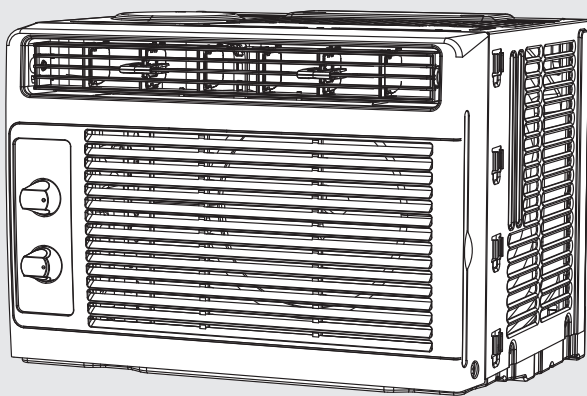
Questions about installing or operating your Midea product?

- ♦ If you still need assistance, please call Customer Service at **1-866-646-4332**.
- ♦ Have your sales receipt, serial number and product model number available when you call.

The product may be returned within 30 days of purchase with receipt. After 30 days, the product is covered under limited warranty. Please refer to the warranty section in the User Manual for details.

**save your
receipt**





AIRE ACONDICIONADO DE VENTANA

MANUAL DEL USUARIO

NÚMERO DE MODELO

MAW05M1WWT	MAW05R1WBL
MAW05M1WBL	MAW06R1WWT
MAW05R1WWT	MAW06R1WBL
MAW05R1WWT-T	MAW05R1WBL-T
MAW06R1WWT-T	MAW06R1WBL-T



Avisos de advertencia: antes de usar este producto, lea atentamente este manual y consérvelo para futuras referencias. El diseño y las especificaciones están sujetos a cambios sin previo aviso para la mejora del producto.

Consulte con su distribuidor o fabricante para obtener más detalles.

El diagrama de arriba es solo de referencia. Por favor, tome la apariencia del producto real como estándar.

CARTA DE AGRADECIMIENTO

¡Gracias por elegir Midea! Antes de usar su nuevo producto Midea, lea este manual detenidamente para asegurarse de que conoce cómo operar las características y funciones que su nuevo electrodoméstico ofrece de manera segura.

LISTA DE CONTENIDOS

CARTA DE AGRADECIMIENTO	34
INSTRUCCIONES IMPORTANTES DE SEGURIDAD	35
INSTRUCCIONES DE OPERACIÓN	42
INSTRUCCIÓN DE INSTALACIÓN	49
MANTENIMIENTO Y LIMPIEZA	54
SOLUCIONES DE PROBLEMAS	55
INSTRUCCIONES DEL CONTROL REMOTO	57
GARANTÍA Y POLÍTICA DE DEVOLUCIONES	63

Lea este manual

Dentro de este manual podría encontrar muchos consejos ayudables diciendo cómo usar y mantener su aire acondicionado correctamente. Le cuesta un poco cuidado antes, le ahorrará mucho tiempo y dinero en su aire acondicionado. Puede encontrar muchas respuestas a los problemas comunes en el cuadro de las soluciones de problemas. Si lea nuestro cuadro de soluciones de problemas primero, quizá no será necesario llamar por servicio.



CAUTION

- Para obtener asistencia, llame al Centro de servicio al 1-866-646-4332.
- El acondicionador de aire no está diseñado para ser usado por niños pequeños o personas físicamente enfermas sin supervisión.
- Los niños pequeños deben ser supervisados para asegurarse de que no jueguen con el aire acondicionado.
- Si necesita reemplazar el cable de alimentación, comuníquese con nuestro servicio al consumidor y busque un técnico autorizado.
- La instalación eléctrica debe realizarse de acuerdo con las normas de regulación nacionales solo por personal cualificado.

INSTRUCCIONES IMPORTANTES DE SEGURIDAD

Lea el mensaje de advertencia.

Lea las precauciones de seguridad antes del funcionamiento y la instalación de la unidad

Para evitar la muerte o lesiones al usuario o a otras personas, así como daños materiales, deben seguirse las siguientes instrucciones.

El funcionamiento incorrecto debido a ignorar las instrucciones puede causar la muerte, lesiones o daños.

Explicación de los símbolos



ADVERTENCIA

Este símbolo indica la posibilidad de lesiones personales o pérdida de la vida.



PRECAUCIÓN

Este símbolo indica la posibilidad de daños materiales o consecuencias graves.

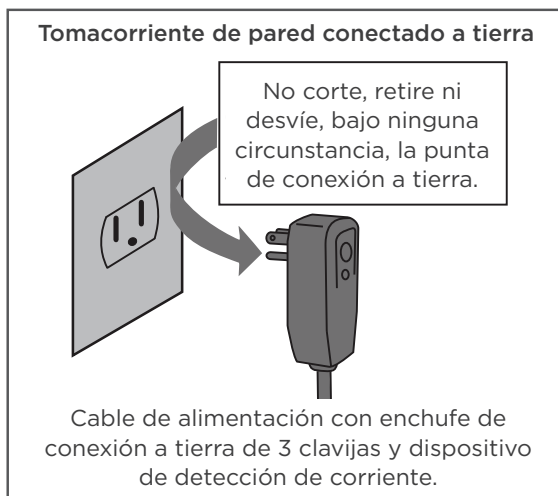
Funcionamiento del Dispositivo Actual



El cable de alimentación contiene un dispositivo de medición que detecta daños en el propio cable. Pruebelo de la siguiente manera:

1. Enchufe el acondicionador de aire.
2. El cable de alimentación tendrá DOS botones en el cabezal del enchufe. Pulse el botón TEST. Notará un clic a medida que aparezca el botón RESET .
3. Pulse el botón RESET. Notará un clic a medida que el botón se activa.
4. El cable de alimentación ahora está energizando la unidad. (En algunos productos esto también se indica mediante una luz en el cabezal del enchufe.)

AVISO



El cable de alimentación que acompaña este acondicionador de aire contiene un dispositivo de detección de corriente diseñado para reducir el riesgo de incendio.

En el caso del cable de alimentación esté dañado, no se puede reparar. Debe sustituirlo por un cable del fabricante.

AVISO

- No utilice este dispositivo para encender o apagar la unidad.
- Asegúrese siempre de que el botón RESET esté pulsado para un funcionamiento correcto.
- El cable de alimentación debe ser reemplazado si lo falla al reiniciar mismo cuando el botón TEST es té pulsado o no se puede reiniciarse. Póngase en contacto con el servicio de atención al cliente.

⚠ ADVERTENCIA

- La instalación debe realizarse de acuerdo con las instrucciones de instalación. Una instalación incorrecta puede causar fugas de agua, descargas eléctricas o incendios.
- Utilice sólo los accesorios y piezas incluidos y las herramientas especificadas para la instalación. El uso de piezas no estándar puede provocar fugas de agua, descargas eléctricas, incendios y lesiones o daños materiales.
- Asegúrese de que la toma de corriente que utiliza está conectada a tierra y tiene el voltaje adecuado. El cable de alimentación está equipado con un enchufe de tres clavijas con toma de tierra para proteger contra descargas eléctricas. La información sobre el voltaje se encuentra en la placa de características de la unidad.
- Conecte la unidad a una toma de corriente debidamente conectada a tierra. Si el receptáculo de pared que pretende utilizar no está adecuadamente conectado a tierra o protegido por un fusible de retardo o disyuntor (el fusible o disyuntor necesario está determinado por la corriente máxima de la unidad, que está especificada en la placa de características situada en la unidad), haga que un electricista debidamente capacitado instale el tomacorriente apropiado.
- No toque la unidad con las manos mojadas o húmedas ni cuando esté descalzo.
- Si el aire acondicionado sufre un golpe durante su uso, apáguelo y desconéctelo inmediatamente de la red eléctrica. Revise la unidad y compruebe que no haya sufrido ningún daño. Si sospecha que la unidad ha sufrido algún daño, póngase en contacto con un técnico o con el servicio de atención al cliente para obtener ayuda.
- En caso de tormenta eléctrica, desconecte el cable de alimentación para evitar que los efectos de un rayo dañen la unidad.
- El aire acondicionado debe protegerse de la humedad. Por ejemplo: de la condensación, salpicaduras de agua, etc. No coloque ni guarde el aire acondicionado donde pueda caerse o donde pueda entrarle agua o cualquier otro líquido. Desenchúfelo inmediatamente si ocurre.
- Instale la unidad sobre una superficie plana y resistente. De lo contrario, podrían producirse daños oruidos y vibraciones excesivos.
- La unidad debe mantenerse libre de obstrucciones para garantizar su correcto funcionamiento y mitigar los riesgos de seguridad.
- No modifique la longitud del cable de alimentación ni utilice un alargador para alimentar la unidad.
- No comparta una misma toma de corriente con otros aparatos eléctricos. Una alimentación inadecuada puede provocar un incendio o una descarga eléctrica.
- No instale el aire acondicionado en una habitación húmeda, como un cuarto de baño o un lavadero. Una exposición excesiva al agua puede provocar un cortocircuito en los componentes eléctricos.
- No instale la unidad en un lugar que pueda estar expuesto a gas combustible, ya que podría provocar un incendio.

- La unidad tiene ruedas para facilitar su desplazamiento. Asegúrese de no utilizar las ruedas sobre moqueta gruesa o para rodar sobre objetos, ya que podrían provocar vuelcos.
- No utilice una unidad que se haya caído o dañado.
- El aparato con calentador eléctrico debe tener un espacio de al menos 1 metro respecto a los materiales combustibles.
- Todo el cableado debe realizarse estrictamente de acuerdo con el diagrama de cableado situado en el interior de la unidad.
- La placa de circuito impreso (PCB) de la unidad está diseñada con un fusible para proporcionar protección contra sobrecorriente. Las especificaciones del fusible están impresas en la placa de circuito, las cuales pueden ser: T 3.15 A/250 V, etc.
- Cuando la función de drenaje de agua no esté en uso, mantenga los tapones de drenaje superior e inferior firmemente ajustados para evitar obstrucciones. Cuando el tapón de vaciado no esté en uso, guárdelo con cuidado para evitar que los niños se atraganten.

PRECAUCIÓN

- Este aparato puede ser utilizado por personas (incluyendo niños) con capacidades físicas, sensoriales o mentales reducidas, o falta de experiencia y conocimientos, siempre y cuando sean supervisados o hayan recibido instrucciones sobre el uso del aparato por parte de una persona responsable de su seguridad. Los niños deben supervisarse para asegurarse de que no jueguen con el aparato. Los niños deben ser supervisados alrededor de la unidad en todo momento.
- Si el cable de alimentación está dañado, solo el fabricante, su agente de servicio o un técnico calificado debe reemplazarlo para evitar riesgos de seguridad.
- No utilice este producto para funciones distintas de las descritas en este manual de instrucciones.
- Antes de limpiar la unidad, apague el interruptor de encendido y desconecte el cable de alimentación.
- Si observa ruidos raros, olores extraños o humo, desconecte el cable de alimentación inmediatamente.
- No pulse los botones del panel de control con nada que no sean los dedos.
- No retire ninguna cubierta fija. No utilice nunca este aparato si no funciona correctamente o si se ha caído o dañado.
- No haga funcionar ni detenga el aparato introduciendo o extrayendo el enchufe del cable de alimentación.
- No utilice productos químicos peligrosos para limpiar o entrar en contacto con la unidad. No utilice la unidad en presencia de sustancias o vapores inflamables como alcohol, insecticidas, gasolina, etc.

- Antes de llevar a cabo las tareas de limpieza o mantenimiento, desconecte la unidad del suministro eléctrico.
- No retire ninguna cubierta fija. No utilice nunca este aparato si no funciona correctamente o si se ha caído o dañado.
- No pase el cable de alimentación por debajo de alfombras. No cubra el cable de alimentación con alfombrillas, tapetes o cubiertas similares. No pase el cable por debajo de muebles o electrodomésticos. Coloque el cable de alimentación lejos de áreas transitadas para evitar tropiezos.
- No utilice la unidad si el cable, el enchufe, el fusible o el disyuntor están dañados. Deseche la unidad o llévela a un centro de servicio técnico autorizado para que la inspeccionen o reparen.
- Para reducir el riesgo de incendio o descarga eléctrica, no utilice este ventilador con ningún dispositivo de control de velocidad de estado sólido.
- Este aparato debe instalarse de acuerdo con la normativa nacional sobre cableado.
- Póngase en contacto con el servicio técnico autorizado para la reparación o el mantenimiento de esta unidad.
- No cubra ni obstruya las rejillas de entrada o salida.
- Transporte siempre el aire acondicionado en posición vertical y colóquelo sobre una superficie estable y nivelada durante su uso.
- Póngase siempre en contacto con una persona cualificada para realizar reparaciones. Si el cable de alimentación dañado debe ser sustituido por un nuevo cable de alimentación obtenido del fabricante del producto y no reparado.
- Sujete el enchufe por la cabeza al sacarlo.
- Apague la unidad cuando no esté en uso.



A2L

PRECAUCIÓN:
Riesgo de incendio
materiales inflamables

NOTA IMPORTANTE: Lea atentamente este manual antes de instalar o poner en funcionamiento su nuevo aparato. Asegúrese de guardar este manual para referencia futura.

Explicación de los símbolos que aparecen en la unidad

	PRECAUCIÓN	Este símbolo indica que debe leerse atentamente el manual de instrucciones.
	PRECAUCIÓN	Este símbolo indica que el personal de servicio debe manipular este equipo consultando el manual de instalación.
	PRECAUCIÓN	Este símbolo indica que hay información disponible, como el manual de instrucciones o el manual de instalación.

ADVERTENCIA:

- El mantenimiento sólo debe realizarse según las recomendaciones del fabricante del equipo. El mantenimiento y la reparación que requieran la asistencia de otros técnicos especializados se llevarán a cabo bajo la supervisión de la persona competente en el uso de refrigerantes inflamables.
 - NO modifique la longitud del cable de alimentación ni utilice un alargador para alimentar la unidad.
 - NO comparta una misma toma de corriente con otros aparatos eléctricos. Una alimentación inadecuada puede provocar un incendio o una descarga eléctrica.
- Siga atentamente las instrucciones de manipulación, instalación, limpieza y mantenimiento del aparato para evitar cualquier daño o peligro.

Inflamable

El aparato utiliza refrigerante R32.

- Cuando realice el mantenimiento o deseche el aparato, el refrigerante (R32) deberá recuperarse adecuadamente y no deberá verterse directamente al aire.
- Deberá respetarse la normativa nacional sobre gases.
- Mantenga las aberturas de ventilación libres de obstrucciones.
- El aparato deberá almacenarse de manera que no se produzcan daños mecánicos.
- Advertencia de que el aparato debe almacenarse en una zona bien ventilada donde el tamaño de la sala corresponda a la superficie de la sala especificada para el funcionamiento.
- Toda persona que trabaje o intervenga en un circuito de refrigerante debe estar en posesión de un certificado válido de una autoridad de evaluación acreditada por la industria, que autorice su competencia para manipular refrigerantes de forma segura de acuerdo con una especificación de evaluación reconocida por la industria.

Ejemplos de tales procedimientos de trabajo son:

- irrupción en el circuito frigorífico
- apertura de componentes sellados
- apertura de recintos ventilados
- Para evitar la ignición del refrigerante inflamable utilizado, no debe haber cerca del aparato ningún fuego abierto ni ningún dispositivo como interruptores que puedan generar chispas/arcos. Siga cuidadosamente las instrucciones para almacenar o mantener el aparato para evitar que se produzcan daños mecánicos.
- No utilice medios para acelerar la operación de descongelación o para limpiar que no sean los recomendados por el fabricante.
- El aparato debe almacenarse en una habitación sin fuentes de ignición de funcionamiento continuo (por ejemplo: llamas abiertas, un aparato de gas en funcionamiento) y fuentes de ignición o (por ejemplo: un calentador eléctrico en funcionamiento) cerca del aparato. El aparato debe almacenarse en un local sin fuentes de ignición en funcionamiento continuo (por ejemplo: llamas abiertas, un aparato de gas en funcionamiento o un calentador eléctrico en funcionamiento).
- No lo perforo ni lo queme.
- Tenga en cuenta que los refrigerantes pueden no contener olor.

INSTRUCCIONES DE OPERACIÓN

Sonidos Normales

MAW05M Model

Sonido del Corriente del Aire

En la frontera de la unidad, podría oír un sonido del corriente del aire debido al movimiento del ventilador.

Sonido Agudo

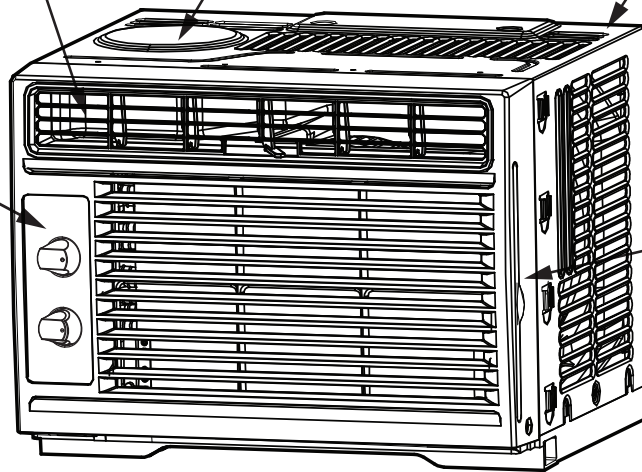
Un compresor con alta eficiencia podrá tener un sonido agudo durante su ciclo de enfriación.

El Sonido de Ping o el Conmutador

Las gotas del agua cayendo sobre el condensador podría causar el sonido de ping o el conmutador.

Gorgoteo/Silbido

El sonido de gorgoteo/silbido podría ser la consecuencia de que el refrigerante pasa por el evaporador durante su operación normal.



Vibración

La unidad podrá vibrar y hacer ruido por una débil pared o construcción de ventana o una instalación incorrecta.

MAW05R/MAW06R Models

Sonido del Corriente del Aire

En la frontera de la unidad, podría oír un sonido del corriente del aire debido al movimiento del ventilador.

Sonido Agudo

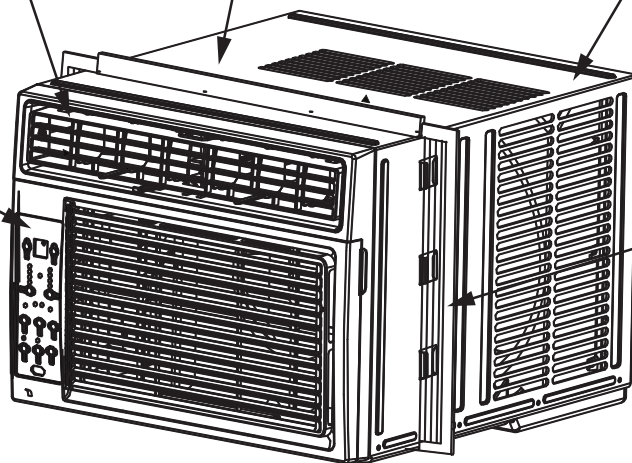
Un compresor con alta eficiencia podrá tener un sonido agudo durante su ciclo de refrigeración.

El Sonido de Ping o el Conmutador

Las gotas del agua cayendo sobre el condensador podría causar el sonido de ping o el conmutador.

Gorgoteo/Silbido

El sonido de gorgoteo/silbido podría ser la consecuencia de que el refrigerante pasa por el evaporador durante su operación normal.



Vibración

La unidad podrá vibrar y hacer ruido por una débil pared o construcción de ventana o una instalación incorrecta.

NOTA

Todas las ilustraciones en esta manual son para explicar sólo. Su aire acondicionado podría ser un poco diferente. Prevalzca a la forma real.

Operación del aire acondicionado

Este aire acondicionado es diseñado para funcionar bajo las siguientes condiciones:

Funcionamiento de enfriamiento	Temperatura exterior	64-109°F/18-43°C
	Temperatura interior	62-90°F/17-32°C
Funcionamiento de calefacción	Temperatura exterior	23-76°F/-5-24°C
	Temperatura interior	32-80°F/0-27°C

WARNING

Para reducir el riesgo de incendio, descarga eléctrica o lesiones a personas o propiedades, lea las INSTRUCCIONES DE SEGURIDAD antes de operar este aparato.

NOTE

El circuito frío tiene un inicio automático de 3 minutos retrasado si la unidad se apaga y enciende rápidamente. Esto evita el sobrecalentamiento del compresor y el posible disparo del disyuntor.

PARA COMENZAR A OPERAR RÁPIDAMENTE EL ACONDICIONADOR DE AIRE, SIGA ESTOS PASOS:

1. Ajuste una configuración de temperatura más fría.
2. Ajuste el control del selector en la configuración más alta de COOL.
3. Ajuste la rejilla para un flujo de aire cómodo (consulte rejillas direccionales de aire).
4. Una vez que la habitación se siente más fría, ajuste a la configuración que encuentre más cómoda.
5. Asegúrese de que el flujo de aire dentro y fuera no esté obstruido por nada.

NOTAS

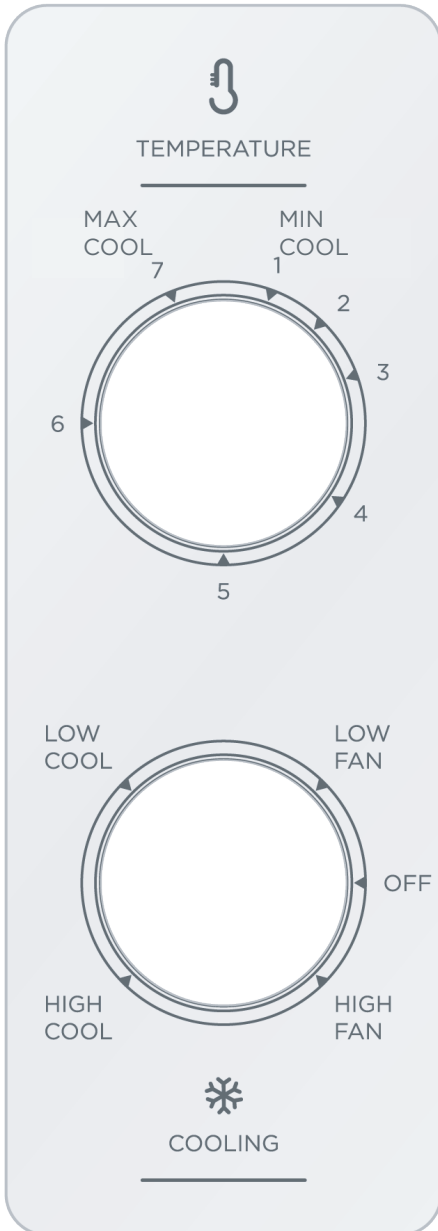
- La humedad relativa de la habitación debe ser inferior al 80%. Si la unidad se utiliza en un estado con una humedad relativa superior al 80%, habrá agua condensada en la superficie de la unidad.
- El rendimiento podría reducir fuera de estas temperaturas operativas.

Antes de comenzar, familiarícese completamente con el panel de control como se muestra a continuación y con todas sus funciones, luego siga el símbolo de las funciones que desee. La unidad puede controlarse solo con el panel de control de la unidad o con el control remoto.

Características del Aire Acondicionado - MAW05M Model

NOTA

La característica del control en este manual es responsable de muchos modelos disponibles. Su modelo podría ofrecer una característica un poco diferente



CONTROL DE LA UNIDAD

TERMOSTATO

El termostato se sirve para ajustar la temperatura de la habitación cuando la unidad está operando bajo el MODO FRÍO.

Para cambiar la temperatura de la habitación, gire el interruptor del termostato a una opción deseada. Después de elegir la temperatura, el termostato empezará y parará automáticamente el compresor con el fin de mantener la temperatura deseada.

Gire el selector del termostato en sentido horario para una opción de más fría. Programación de más frío le ofrecerá una temperatura más baja. Gire el selector del termostato contra el sentido horario para una opción de menos fría. Programación de menos fría le ofrecerá una temperatura más alta en la habitación.

MODO FRÍO

El nivel frío está elegido con girando la perilla agujas del reloj hasta una ubicación adecuada.

Alto Enfriamiento

Tiene el máximo efecto de enfriamiento y flujo de aire.

Bajo Enfriamiento

Tiene el mínimo efecto de enfriamiento y flujo de aire.

MODO DE VENTILADOR

Gire la perilla en sentido antihorario para seleccionar su elección de velocidades del ventilador para la circulación del aire

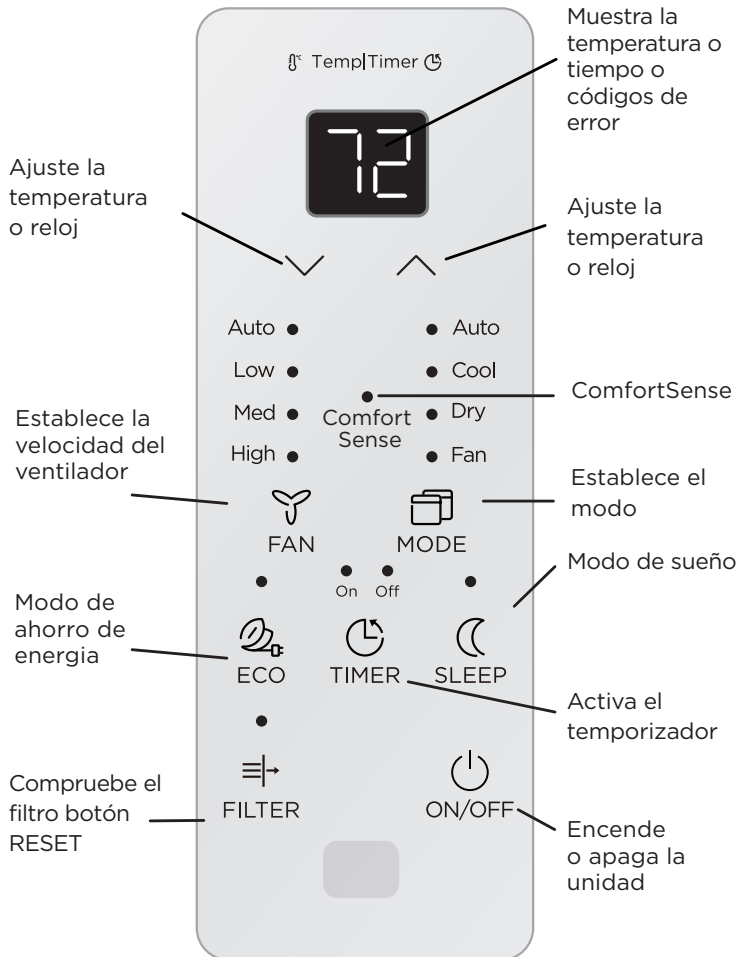
NOTA

Al seleccionar la velocidad del ventilador, el compresor no funcionará.

Características del Aire Acondicionado - MAW05R/MAW06R Models

INSTRUCCIONES DE LA OPERACIÓN DEL CONTROL ELECTRÓNICO

Antes de empezar, debe familiarizarse completamente con el panel de control y todas sus funciones como se muestra abajo, después sigue los símbolos para las funciones que desea. La unidad podría ser controlado por el control sólo o con el remoto.



CONTROL DE LA UNIDAD

PARA ENCENDER O APAGAR LA UNIDAD:

Presiona el botón ON/OFF para encender o apagar.

NOTE

La unidad iniciará automáticamente la función de Ahorro de Energía bajo los modos de Frío, Seco, Auto (Sólo Auto-Frío y Auto-Ventilador).

A CAMBIAR LAS OPCIONES DE LA TEMPERATURA:

Presiona el botón UP/DOWN para cambiar las opciones de la temperatura.

NOTE

Pulse o mantenga presionando el botón UP or DOWN hasta se muestra la temperatura que quiere. La mantiene automáticamente esta temperatura en cualquier lugar entre 62° F (17°C) y 86°F (30°C). Si quiere saber la temperatura actual de la habitación, elige la Operación de sección Fan Only.

PARA MODIFICAR LA VELOCIDAD DEL VENTILADOR:

Presiona el botón a elegir la velocidad del ventilador en cuatro grados - Auto, Bajo, Med o Alto. Cada vez presiona el botón, se modifica el modo de la velocidad del ventilador. Bajo el Modo Seco, la velocidad está controlado en Bajo automáticamente.

FUNCIÓN DURMIENTA:

Presiona el botón durmiente a iniciar el modo durmiente. Bajo este modo la temperatura selecciona incrementará a 2°F/1 (o 2)°C 30 minutos después de elegir el modo. La temperatura va a incrementar un otro 2°F/1 (o 2)°C después de 30 minutos adicional. Esta temperatura va a mantener 7 horas antes de volver a su temperatura elegida originalmente. El modo durmiente puede ser cancelado en cualquier momento durante su función con presionando el botón durmiente otra vez.

FUNCIÓN DE INSPECCIÓN:

Presiona el botón Filter comprueba de filtro para iniciar esta función. Esta función es un recordatorio para limpiar el filtro de aire para su funcionamiento eficaz. El LED (luz) ilumina después de 250 horas de función. Para encenderla después de la limpieza, presiona el botón Check Filter y la luz va a apagar.

FUNCIÓN DE AHORRAR LA ENERGÍA:

Presiona botón de ahorrar la energía para iniciar esta función. Esta función es disponible bajo los modos Frío, Seco, Auto (Sólo Auto-Frío y Auto-Ventilador). El ventilador continua funcionar 3 minutos después de que el compresor apaga. Entonces el ventilador gira 2 minutos a cada 10 minutos de intervalo hasta que la temperatura interior llega a la puesta, cuando el compresor vuelve a funcionar y empieza a enfriar.

COMFORTSENSE

La función ComfortSense permite que el control remoto mida la temperatura en su ubicación actual. Cuando utilice las funciones AUTO, COOL o HEAT, la medición de la temperatura ambiente desde el control remoto (en lugar de desde la unidad interior) permitirá que el aire acondicionado optimice la temperatura a su alrededor y garantice

Esta función se puede activar SOLAMENTE desde el control remoto.

El control remoto enviará esta señal al aire acondicionado cada intervalo de 3 minutos hasta que presione el botón Sígueme nuevamente. Si la unidad no recibe la señal Sígueme durante cualquier intervalo de 7 minutos, la unidad emitirá un pitido para indicar que el modo Sígueme ha terminó.

A ELEGIR EL MODO OPERATIVO:

A elegir el modo operativo, presiona el botón Modo. Cada vez presiona el botón, selecciona un modo siguiendo orden como Auto, Frío, Seco y Ventilador. La luz del indicador ilumina y mantiene una vez que selecciona el modo. La unidad empieza la función de ahorrar la energía bajo los modos de Frío, Seco, Auto (Sólo Auto-Frío y Auto-Ventilador).

PARA OPERAR BAJO LA FUNCIÓN AUTO:

- Cuando elige el modo AUTO del aire acondicionado, elegirá automáticamente operación como enfriamiento, calefacción (fuera el modo de sólo-frío), o modo de ventilador sólo según la temperatura elegida y la actual de la habitación.
- El aire acondicionado controlará la temperatura de la habitación automáticamente alrededor de la temperatura elegida por usted.
- In this mode, the fan speed cannot be adjusted, as it's automatically controlled according to the temperature setting and room temperature.

PARA OPERAR BAJO EL MODO VENTILADOR SÓLO:

- Utilice esta función solamente cuando no quiere enfriar, sirve como una circulación de aire de la habitación o para extraer el aire viciado (bajo algunos modos). (Recuerde abrir el respiradero durante esta función, pero mantengalo cerrado durante la función de enfriar para una eficiencia máxima de enfriamiento.) Puede elegir cualquier velocidad del ventilador que prefiera.

- Durante esta función, la pantalla mostrará la temperatura actual de la habitación, no la temperatura elegida, como el modo frío.
- Bajo el modo de ventilador sólo, la temperatura no será ajustado.

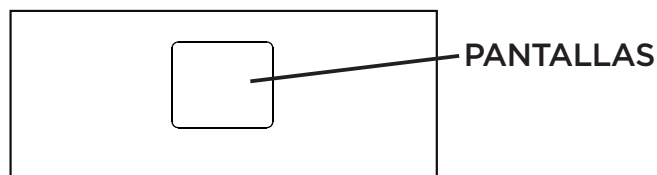
PARA OPERAR BAJO EL MODO SECO:

- Bajo este modo, el aire acondicionado poco a poco funciona en una manera de deshumidificador. Como el espacio condicionado es cerrado o sellado, un cierto grado de enfriamiento continuará.

RELOJ: FUNCIÓN DE AUTO EMPEZAR O TERMINAR

- Cuando enciende la unidad, primero presiona el botón reloj, el indicador TIMER ON ilumina. Este indica que el programa de Auto Empezar está iniciado.
- Cuando el tiempo del TIMER ON muestra, Presiona el botón otra vez, el indicador TIMER OFF ilumina, indicando que el programa de Auto Terminar está iniciado.
- Pulse o mantenga pulsando el botón UP or DOWN button para cambiar el tiempo de Auto por incrementos de 0.5 horas hasta 10 horas, entonces una hora incrementos hasta 24 horas. El control contará regresiva del tiempo restante hasta el inicio.
- El tiempo elegido registrará en 5 segundos, y la sistema volverá automáticamente mostrar la temperatura anterior elegida o actual de la habitación una vez la unidad está encendida. (Cuando apaga la unidad, no muestra nada.)
- Enciende la unidad o apágala en cualquier tiempo o modificar el reloj a 0.0, va a cancelar el programa de Auto Empezar o Termimar el reloj.

PANTALLAS:



Muestra la temperatura en “°C” o “°F” y las opciones del Auto-reloj. Cuando bajo el modo de ventilador sólo, muestra la temperatura actual de la habitación.

Los códigos de error:

AS - Sensor de error de la temperatura de la habitación desenchufe la unidad y conéctala otra vez. Si repite este error, llama al servicio.

ES - Sensor de error del evaporador de la temperatura. Desenchufe la unidad y conéctala otra vez. Si el error repite, llama al servicio.

NOTA

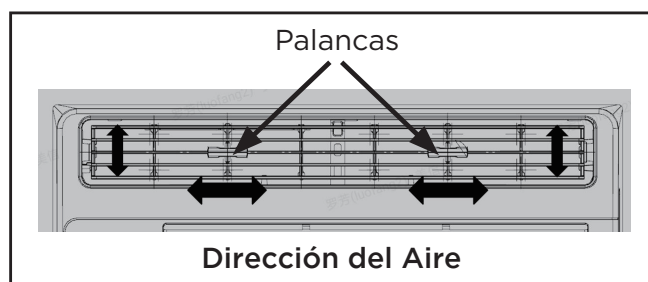
Si la unidad falla inesperadamente por el corte de suministro eléctrico, volverá a encender con la opción de la función previa automáticamente cuando el suministro reanuda.

Información Adicional Que Debe Saber

Ahora es dueño del producto operativo, hay más funciones bajo su control que debe familiarizarse con:

- El circuito de Frío tiene un retraso de 3 minutos si la unidad enciende y apaga rápidamente. Este evita el sobrecalentamiento del compresor y la posibilidad del disparo del disyuntor. El ventilador continuará funcionando durante este tiempo.
- El control es capaz de mostrar la temperatura en grados Fahrenheit o grados Celsius. Para cambiar uno a otro, presiona y mantenga pulsando los botones UP/DOWN de Temp/Timer al mismo tiempo durante 3 segundos.

REJILLAS DE LA DIRECCIÓN DEL AIRE



Las rejillas le permitirán dirigir el flujo de aire hacia arriba o hacia abajo y hacia la izquierda o hacia la derecha en toda la habitación según sea necesario. Gire las rejillas horizontales hasta obtener la dirección arriba / abajo deseada. Mueva la (s) palanca (s) de lado a lado hasta obtener la dirección izquierda / derecha deseada.

INSTRUCCIONES DE INSTALACIÓN

! WARNING - Antes de Empezar

Lea esta instrucción completamente y con mucho cuidado.

- **IMPORTANTE** - Guarda esta instrucción para uso del inspector local.
- **IMPORTANTE** - Consulte todos los códigos y ordenanzas vigentes.
- Nota para instalar - Asegúrese de dejar las instrucciones al cliente.
- Nota para el cliente - Guarda la instrucción para el uso futuro.
- Nivel de habilidad - Para instalarla requiere una habilidad básica mecánica.
- Plazo de ejecución - Aproximadamente 1 hora.

Le recomendamos que dos personas lo instalen.

Una instalación correcta es la responsabilidad del instalador.

El fallo del producto por una instalación incorrecta no está incluido en la garantía.

DEBE usar todas las partes suministradas y los productos de instalación correctamente según la descripción en la instrucción cuando instala esta aire acondicionado.

Nunca, en ningún caso corta o remueve la tercera (tierra) clavija del cable de energía.

No lo cambie el enchufe en el cable de energía del aire acondicionado.

Cableado doméstico de aluminio podría causar problemas especiales - consulte a un electricista calificado.

Al manipular la unidad, tenga cuidado de evitar cortes ...

Requisitos de la Ventana

Su aire acondicionado es diseñado para instalar en ventanas estándar de doble panel con un ancho de apertura de 23 a 36 pulgadas (584mm a 914mm).

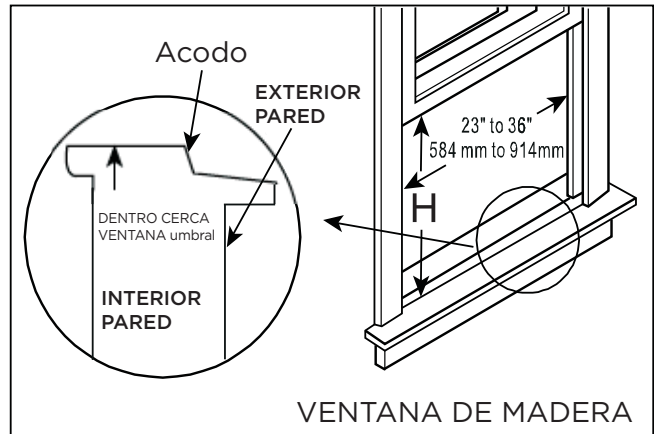
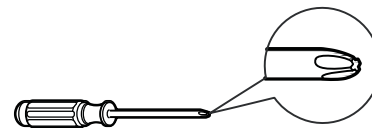


Tabla 1

Model	5000~6000 BTU/h
H	13" (330mm)

Herramientas que Necesite



Destornillador



Rango

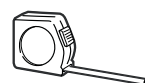
Herramientas Quizá Necesite



Destornillador



Lápiz



Regla o cinta métrica



Tijera o cuchillo

NOTA



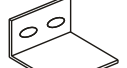
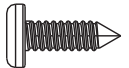

Guarde los cartones y estas instrucciones de instalación para el uso futuro. El carton es la mejor manera a almacenar la unidad en el invierno o cuando no lo use.



1. PREPARE LA VENTANA

El marco inferior debe poder abrirse un espacio suficiente para la limpieza con una apertura (H) de los siguientes tamaños (consulte la Tabla 1).

Rejillas laterales y la parte trasera de la AC debe tener un espacio libre de aire que permite suficiente flujo de aire através del condensador, para la eliminación del calor.

La parte trasera de la unidad debe estar fuera, no dentro de un edificio ni garaje.

Accesorios de montaje		
		
Bloqueo de marco (para ventanas de madera) (2)	Bloqueo de marco (para ventanas de vinil revestido) (2)	Bloqueo de la ventana (1)
		
3/4" (o 1/2") Tornillos (7)	Sello de espuma Guillotina de ventana (1)	

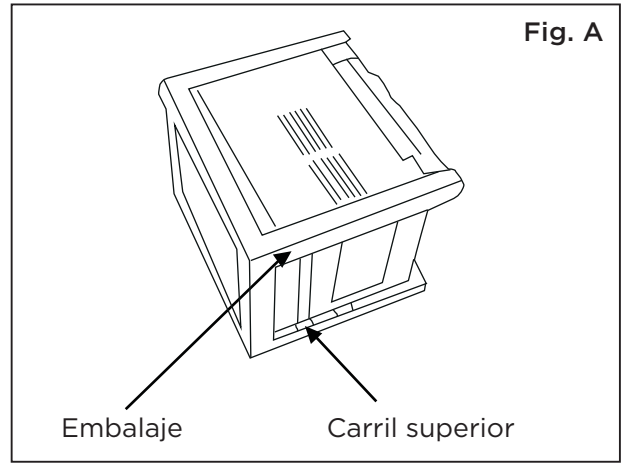
Hardware del carril superior	
	
3/8" Tornillos (4)	Carril superior (1)

2. PREPARA EL AIRE ACONDICIONADO

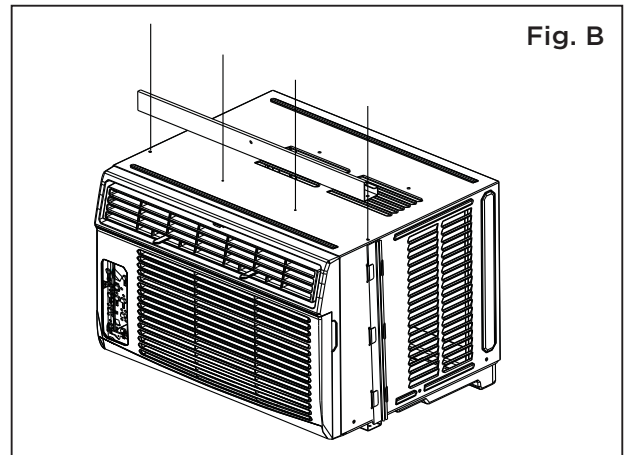
Antes de instalar la unidad, el riel superior debe montarse en la unidad.

A: Remueva el aire acondicionado desde la caja y coloquelo sobre una superficie plana.

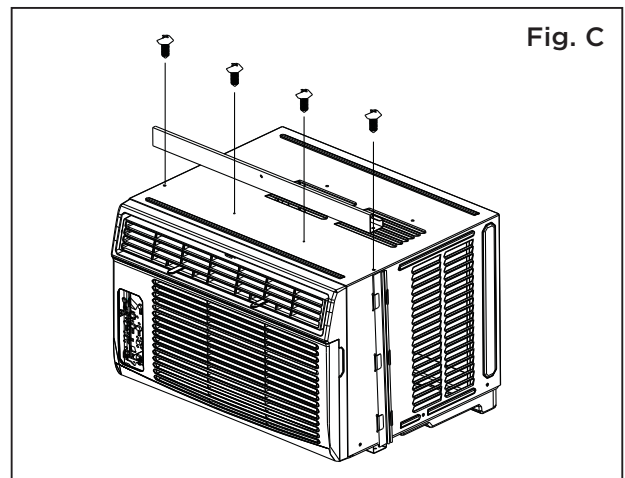
B: Retire el carril superior de la parte posterior del material de envase como se muestra en Fig. A.



C: Alinee el agujero en la barra superior con los de la parte superior de la unidad, como se muestra en la Fig. B.



D: Instala el carril superior a la unidad con un tornillo de 3/8" (9.5mm) como se muestra en la Fig. C.



! WARNING

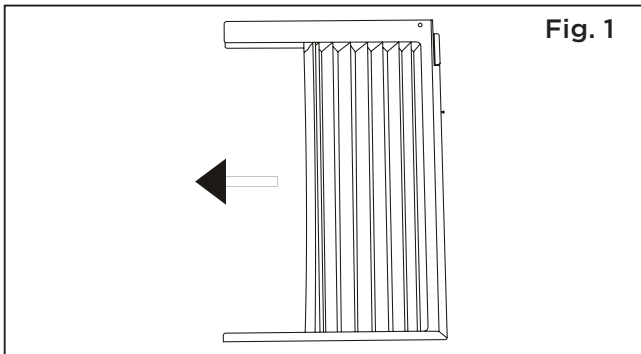
Para su seguridad, todos los cuatro (4) tornillos DEBEN estar bien sujetos.

3. INSTALAR LOS PANELES DEL AIRE ACONDICIONADO

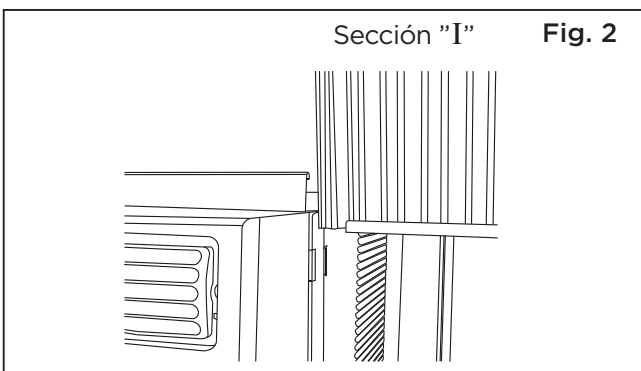
NOTA

El carril superior y los paneles deslizantes en cada lado se sirve para ofrecer un paso adecuado a la parte trasera de 5/16" (8mm). Es necesario para la utilización del agua condensada y el drenaje adecuado. Si no use los paneles laterales por ningún razón, debe mantener este paso hacia la parte trasera.

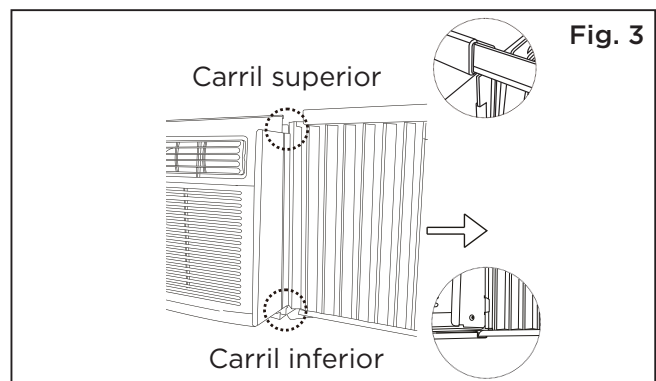
A. Ponga la unidad en el suelo, un banco o una mesa. Sujete el panel de acordeón en una mano y suavemente tire hacia atrás el centro para sacarla fuera. Consulte Fig. 1.



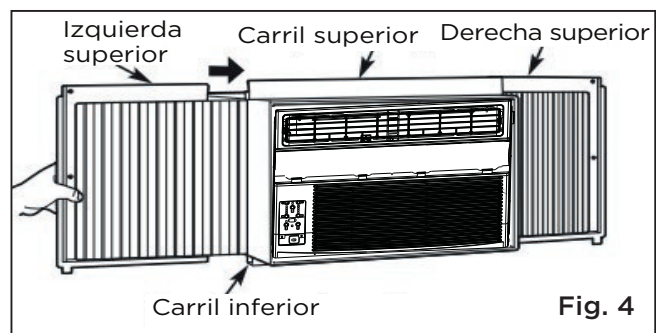
B. Deslice la sección "I" del lado libre del panel directamente entre el gabinete como se muestra en Fig. 2. Deslice el panel abajo. Asegúrese de dejar suficiente espacio para deslizar el parte superior e inferior del marco entre el carril del gabinete.



C. Una vez el panel está instalado en un lado del gabinete, asegúrese de que esté correctamente dentro del canal del marco con ajustes suaves. Deslice los extremos superior e inferior del marco en el carril del gabinete. Fig. 3.



D. Deslice el panel hasta el fondo y repítalo al otro lado.



NOTA

Si la ventana de la tormenta bloquea AC, consulte Fig. 11.

4. INSTALA LOS PANELES DE ACORDEÓN

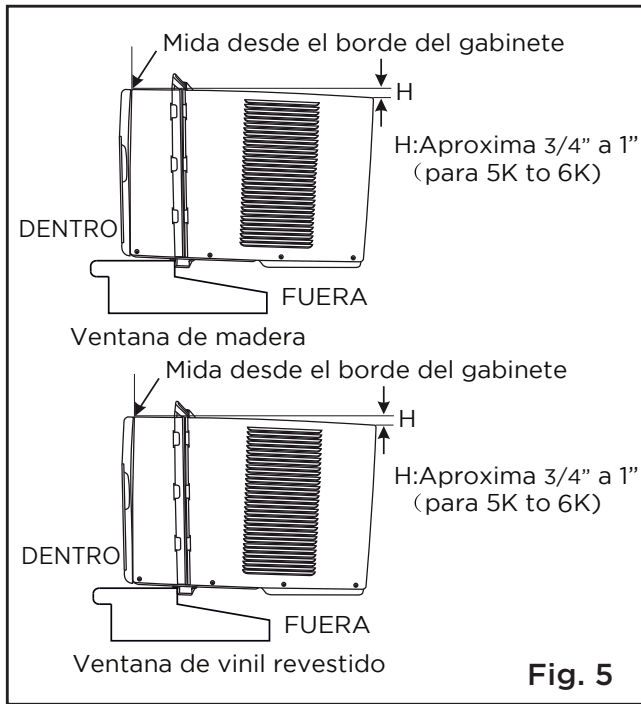


Fig. 5

2. Agarre firme al aire acondicionado, ponga la unidad en la apertura de la ventana con mucho cuidado para que el fondo del marco del aire acondicionado está contra el umbral de la ventana (Fig. 5). Acerque la ventana detrás el carril superior de la unidad con mucho cuidado..

NOTA

Comprueba que el aire acondicionado está inclinada hacia atrás casi H (Fig. 5) (inclinado unos 3° a 4° desde el fondo hacia la fuera) después de la instalación, correcta, el condensado no debe bajar desde el orificio de drenaje de desbordamiento durante su uso normal, corrige la pendiente de otro modo.

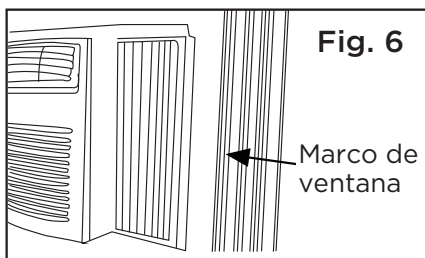


Fig. 6

3. Extienda los paneles laterales en contra del marco de la ventana (Fig. 6).

5. AIRE ACONDICIONADO SEGURO

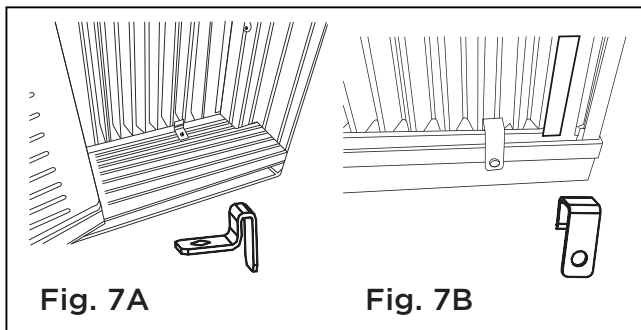


Fig. 7A

Fig. 7B

- A. Ponga el bloqueo del marco entre la extensión de los marcos y el umbral de la ventana como se muestra (Fig. 7A para ventana de madera), (Fig. 7B para ventana de vinil revestido).

Pase los tornillos de bloqueo 3/4" (19 mm) o 1/2" (12.7 mm) a través de la cerradura de marco y en el alféizar.

NOTE: Para evitar la división del umbral de la ventana, taladre un agujero piloto de 1/8" (3 mm) antes de conducir los tornillos.

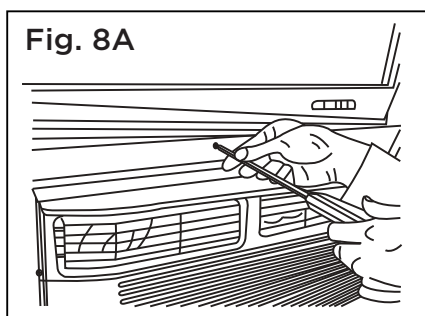


Fig. 8A

- B1: Para ventanas de madera:

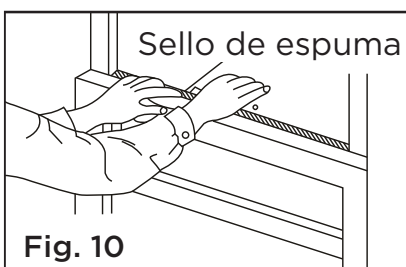
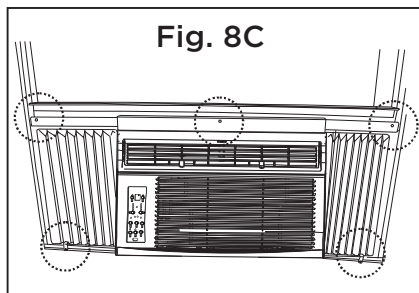
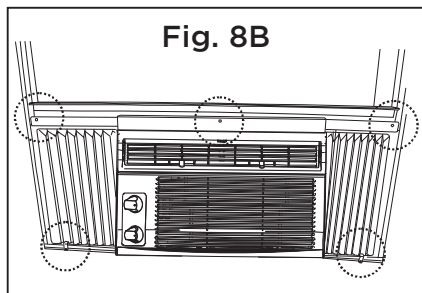
Pase los tornillos de bloqueo de 1/2" (12.7mm) entre los agujeros del marco en la hoja de la ventana (Fig. 8A).

NOTE: Para evitar la división del umbral de la ventana, taladre un agujero piloto de 1/8" (3mm) antes de conducir los tornillos. Pase los tornillos de bloqueo 1/2" (12.7mm) a través de la cerradura de marco y en el alféizar (Fig. 8B/8C).

MAW05M Model

MAW05R/MAW06R Models

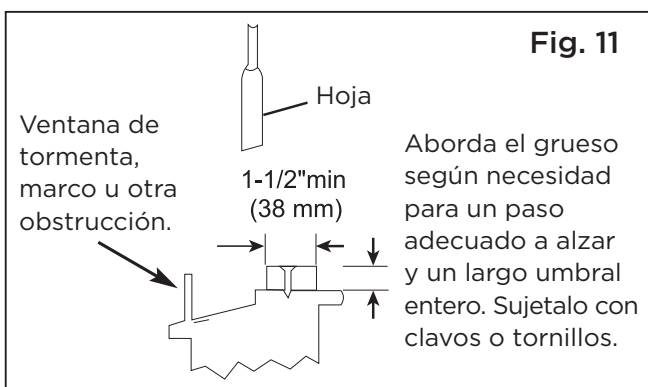
B2: Para ventanas de vinilrevestido:
 Pase los tornillos de bloqueo de 1/2" (12.7mm) a través del cierre del marco y en el marco de la ventana (Fig. 8B/8C).
 NOTE: Antes de conducir los tornillos, utilice un taladro para perforar 5 orificios a través de los orificios del cierre del marco y las extensiones del marco en la hoja de la ventana como se muestra (Fig. 8B/8C).



C. Para instalar la baja hoja inferior en un lugar correcto, coloque bien el bloqueo de la hoja ángulo con tornillos de 3/4" (19mm) o 1/2" (12.7mm) como se muestra (Fig. 9).

D. Corte el sello de espuma de la hoja de la ventana y pongala en el lugar entre las hojas superiores y inferiores. (Fig. 10).

Si AC esté bloqueado por la Ventana de Tormenta



Añada maderas como se muestra en Fig. 11, o elimine la ventana de tormenta antes del aire acondicionado.

Si el marco de la Ventana de Tormenta debe permanecer, asegúrese de que los agujeros de drenaje o ranuras no se calafatea o se pinta cerrada.

El agua de lluvia acumulada o condensada debe puede drenar.

Eliminar AC de la Ventana

- Apaga el AC y separalo con el suministro de energía.
- Retire el sello de la hoja de ventana y desenrosque el bloqueo seguro de la hoja.
- Retire los tornillos instalados a través el marco y bloqueo del marco.
- Cierre (deslice) los paneles laterales entre los marcos.
- Garre firme al aire acondicionado, levanta la hoja y eliminala con cuidado.
- Tenga cuidado no derramar el agua restante mientras levante la unidad desde la ventana. Guarda las partes CON el aire acondicionado.

MANTENIMIENTO Y LIMPIEZA

CAUTION

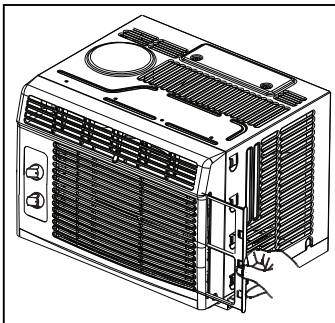
Limpie su aire acondicionado de vez en cuando para mantenerlo en buen aspecto. Asegúrese de desenchufar la unidad antes de limpiarla para evitar el riesgo de cuña o incendio.

Limpieza del Filtro de Aire

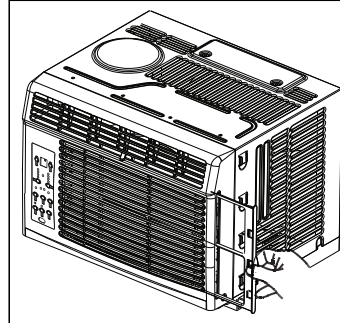
El filtro de aire debe ser revisado al menos una vez al mes para ver si es necesario a limpiarlo. Las atrapadas partículas en el filtro podrán acumularse y causar una acumulación de escarchas en las serpentinas de enfriamiento.

- Empuje la palanca de ventilación en la posición de Cerrada Vent (en su caso). Abra el panel frontal.
- Tomar el filtro por el centro y tire hacia arriba y hacia fuera.
- Lave el filtro con un liquido detergente para lavar platos, en agua caliente. Enjuague el filtro. Suavemente sacuda el exceso de agua del filtro. Asegúrese de que el filtro está seco antes de volver. Si no, en lugar de lavar, podría aspirar el filtro.

MAW05M Model



MAW05R/MAW06R Models



NOTA

Nunca usar el agua más caliente que 104°F (40°C) a limpiar el filtro de aire. Nunca trata de operar la unidad sin el filtro.

Limpieza del Gabinete

- Asegúrese de desconectar el AC para protegerlo de descarga eléctrica o incendio. El gabinete y su frontera pueden ser limpiado por un paño libre de aceite o un paño humedecido en agua caliente con liquido detergente para limpiar platos. Enjuaquelo bien y séquelo.
- Nunca use limpiadores abrasivos, ceras ni pulimento en el frente del gabinete.
- Asegúrese de quitar el agua en el paño antes de limpiar los controles. El exceso de agua dentro o alrededor del control podría causar daños al AC.
- Enchufe el aparato.

Almacenamiento en el Invierno

Si va a almacenar el aire acondicionado durante el invierno, elimínelo de la ventana con mucho cuidado según las instrucciones de instalación. Cubralo con plástico o vuelvalo en la caja.

SOLUCIONES DE PROBLEMAS

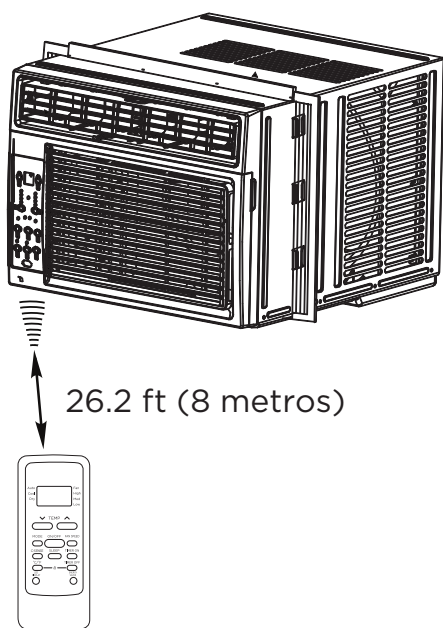
Antes de llamar al servicio, revisa esta lista. Le podría ahorrar tiempo y molestia. Esta lista incluye las ocurrencias comunes, los cuales no son resultado por un defecto del hechura o los materiales de la fábrica.

Problema	Solución
El aire acondicionado no funciona	Enchufe de pared desconectado. Presione el enchufe con mucha fuerza en la toma de corriente.
	Se disparó el disyuntor. Reinicie el disyuntor.
	Compruebe si la luz del enchufe está encendida. Si está apagado, presione el botón RESET.
	Se apague. Enciéndalo.
El aire de la unidad no es tan fría	La unidad se apagó y luego se encendió rápidamente. Apague la unidad y espere 3 minutos antes de reiniciar.
	La temperatura de la habitación está bajo 62°F (17°C). No empieza a enfriar hasta la temperatura llega más que 62°F (17°C).
	Los elementos del sensor de la temperatura detrás del filtro toca la serpentina fría. Déjalo lejos de la serpentina fría.
	Ajuste a una temperatura más baja.
	El compresor para cuando cambia el modo. Espere 3 minutos después de elegir el modo Frío.
El aire acondicionado enfria, pero la habitación hace calor - forma hielo en la serpentina fría detrás el frente decorativo	Compruebe si hay posibles obstrucciones que bloqueen la entrada / salida exterior. Elimine cualquier obstrucción.
	La temperatura fuera está bajo 64°F (18°C). Para descongelar la serpentina, cambie al modo FAN ONLY.
	El filtro de aire podría ser sucio. Limpie el filtro. Consulte la sección del Mantenimiento y Limpieza. Para descongelarlo, cambie al modo FAN ONLY.
El aire acondicionado enfria, pero la habitación hace mucho calor - no forma hielo en la serpentina fría detrás el frente decorativo	El termostato ha ajustado demasiado frío durante su funcionamiento de la noche. Para descongelarla, cambie al modo FAN ONLY. Después, elige la una temperatura más alta.
	Filtro de aire sucio o obstruido. Filtro limpio. Consulte la sección Cuidado y limpieza. Para descongelar, establezca el modo SÓLO VENTILADOR
	Ha elegido una temperatura tan alta, elige una temperatura baja.
	Ha puesto la rejillas direccionales incorrectamente. Ponga la rejilla en un lugar con mejor distribución del aire.
	La frontera de la unidad está cubierta con cortinas, persianas, muebles, etc. -distribución de aire limitado. Elimine la obstrucción en la frontera de la unidad.
Se escape el aire frío por las puertas, ventanas, rejillas, etc. Cierre la puerta, ventana o rejilla.	

Problema	Solución
	La unidad funciona en una habitación caliente recientemente. Permitalo un plazo de tiempo adicional para eliminar los calores guardados por las paredes, el techo, el suelo o los muebles.
El aire acondicionado se enciende y apaga rápidamente	Filtro de aire sucio - aire limitado. Limpie el filtro.
	La temperatura fuera es demasiado alto. Elige la velocidad del FAN a una opción más alto para traer más aires pasando por la serpentina fría.
	Compruebe si hay posibles obstrucciones que bloqueen la entrada / salida exterior. Elimine cualquier obstrucción.
Hace ruido cuando la unidad enfría	El sonido del movimiento del aire es normal. Si hace tanto ruido, cambie a una opción de FAN más baja.
	La vibración de la ventana - mala instalación. Consulte las instrucciones de instalación o consulte al instalador.
El agua que gotea INTERIOR cuando unidad está enfriando	La instalación incorrecta. Inclina acondicionador de aire ligeramente hacia el exterior para permitir el drenaje del agua. Consulte las instrucciones de instalación - consulte con el instalador.
El agua que gotea EXTERIOR cuando unidad está enfriando	Unidad eliminar gran cantidad de humedad del ambiente húmedo. Esto es normal durante días excesivamente húmedos.
Teledetección desactivación Antes de tiempo (algunos modelos)	El control remoto no encuentra dentro del alcance. Coloque el control remoto dentro de 26.2 pies & 180°, radio de la parte frontal de la unidad.
	Sel de control remoto obstruido. Retire la obstrucción.
Habitación demasiado fría	Ajuste la temperatura demasiado baja. Aumente la temperatura de la unidad.
Ruido cuando la unidad arranca.	Un sonido de "da-da" puede ocurrir durante treinta segundos cuando la unidad se enciende debido al arranque del compresor. Es normal.

INSTRUCCIONES DEL CONTROL REMOTO

Manejo del Control Remoto



UBICACIÓN DEL CONTROL REMOTO

Use el control remoto a una distancia de 26.2 pies (8 metros) del acondicionador de aire, apuntándolo hacia el receptor. La recepción se confirma con un pitido.

! CAUTION

- El acondicionador de aire no funcionará si cortinas, puertas u otros materiales bloquean las señales del control remoto a la unidad.
- Evite que el líquido se derrame en el control remoto. No exponga el control remoto a la luz solar directa o al calor.
- Si el receptor de señal infrarroja de la unidad interior está expuesto a la luz solar directa, es posible que el acondicionador de aire no funcione correctamente. Use cortinas para evitar que la luz del sol caiga sobre el receptor.
- Si otros aparatos eléctricos reaccionan al control remoto, mueva estos dispositivos o consulte a su distribuidor local.

NOTES

- El diseño de los botones se basa en el modelo típico y puede variar ligeramente del que usted compró.
- Todas las funciones descritas se realiza en la unidad. Si la unidad no tiene una función, la unidad no responderá, si se presiona el botón correspondiente en el control remoto.
- Cuando existan diferencias significativas entre las funciones u operaciones implícitas en la ilustración del control remoto y las funciones reales descritas en el MANUAL DEL USUARIO, prevalecerán las descripciones en el MANUAL DEL USUARIO.

Botones de Función

Botón TEMP DOWN

Presione este botón para disminuir la configuración de temperatura interior.

Botón ON/OFF

La operación se inicia cuando se presiona este botón y se detiene cuando se presiona el botón nuevamente.

NOTE: Si la unidad tiene la función AHORRO DE ENERGÍA, iniciará automáticamente la función Ahorro de energía en los modos Frío, Deshumidificación y Automático (solo enfriamiento automático y Ventilador automático).

Botón MODE

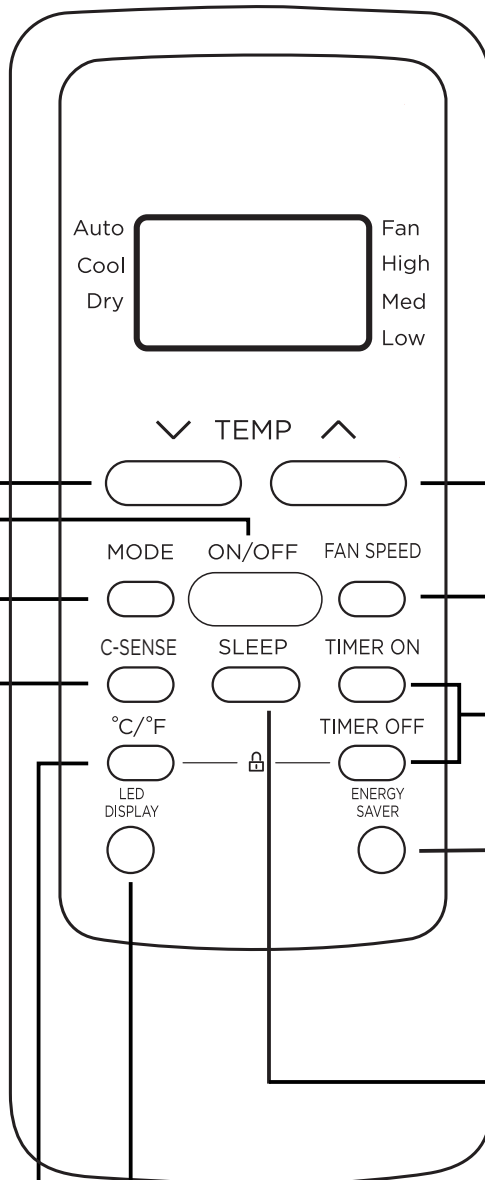
Presione este botón para seleccionar el modo de operación deseado.

Botón COMFORTSENSE

Presione ComfortSense botón para activar el modo Sígueme, para optimizar la temperatura a su alrededor y garantizar la máxima comodidad.

Botón °C/°F

Cambia la pantalla de temperatura entre Celsius y Fahrenheit.



Botón TEMP UP

Presione este botón para aumentar la configuración de temperatura interior.

Botón SPEED

Se usa para seleccionar la velocidad del ventilador deseada.

Botón TIMER

Presione este botón para activar el programa "Auto Start" o "Auto Stop".

Botón ENERGY SAVER

Presione este botón para activar el modo de ahorro de energía. Presiónelo nuevamente para detener la función.

Botón SLEEP

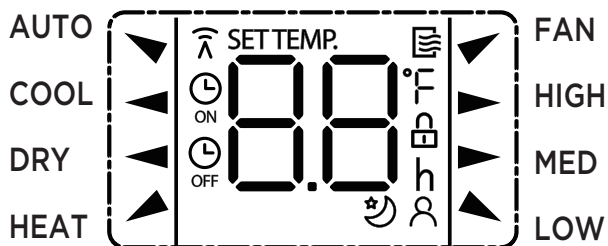
Presione este botón para activar el modo Sleep. Esta función solo está disponible en modo FRÍO o AUTOMÁTICO y mantendrá la temperatura más cómoda para usted mientras ahorra energía. Para obtener más información, consulte "Operación en modo SLEEP" en Pagina 46.

Botón LED DISPLAY

Enciende / apaga la pantalla LED de la unidad.

Indicadores De Pantalla Remota

La información se muestra cuando se enciende el control remoto.



Pantalla de modo

AUTO ▼ COOL ◀ DRY ◀
HEAT ▲ ▼ FAN



Se muestra cuando se transmiten los datos.



Aparece cuando el control remoto está habilitado y puede enviar una señal a la unidad. Si desea apagar el control remoto sin afectar la unidad, apunte el control remoto lejos de la unidad y presione el botón ON / OFF.

Para encender el control remoto, apunte el control remoto lejos de la unidad y presione el botón ON / OFF. La unidad no recibirá comandos del control remoto si este indicador no está iluminado.



Se muestra cuando se ajusta la hora
TIMER ON



Se muestra cuando se ajusta la hora
TIMER OFF



Muestra la temperatura establecida o la temperatura ambiente, o el tiempo en la configuración del TEMPORIZADOR



Se indica que todos los ajustes actuales son bloqueado



Se muestra cuando la función ComfortSense activada (algunas unidades)



Aparece cuando la función SLEEP está activado

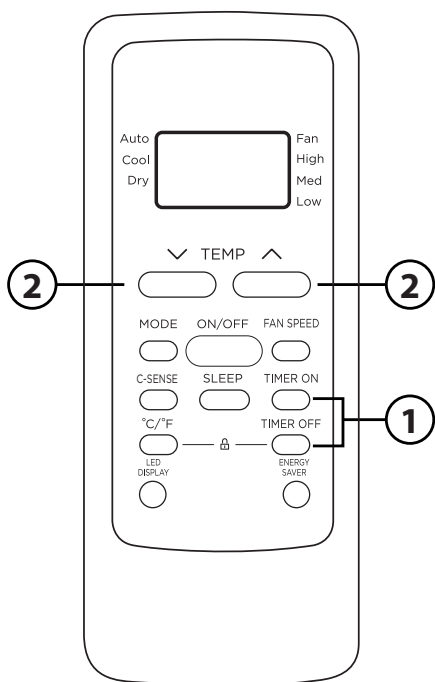
Indicación de velocidad del ventilador

▶ HIGH Alta velocidad
▶ MED Media velocidad
▶ LOW Baja velocidad

Sin pantalla Velocidad automática del ventilador

Nota:

Todos los indicadores que se muestran en la figura tienen el propósito de una presentación clara. Pero durante la operación de actual, solo los signos de función relativa se muestran en la ventana de visualización.



OPERACIÓN DEL TIMER

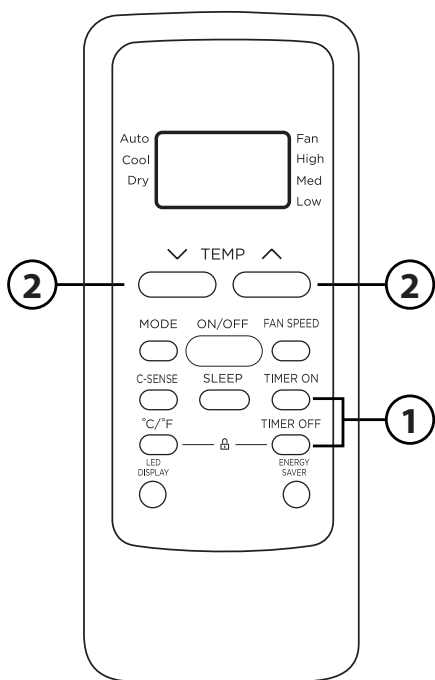
Presione el botón TIMER para iniciar el programa de configuración Auto-start y Auto-stop de la unidad.

Para establecer el tiempo de inicio / parada automática.

1. Presione el botón TIMER, cuando el indicador TIMER ON se muestre en el LED del acondicionador de aire, indica que se inició el programa de configuración Auto Start. Cuando el indicador TIMER OFF se visualiza en el LED del acondicionador de aire, indica que se inició el programa de ajuste Auto Stop.
2. Presione o mantenga presionada la tecla TEMP ARRIBA (^) / ABAJO (v) para cambiar la hora automática. El control contará hacia atrás el tiempo restante hasta el inicio / parada.
3. El tiempo seleccionado se registrará en 5 segundos y el acondicionador de aire retrocederá automáticamente para mostrar la configuración de temperatura anterior.
4. ENCENDER o APAGAR la unidad en cualquier momento cancelará la función del Timer.

NOTES

Para cancelar la configuración del TIMER, presione el botón del TIMER y presione o mantenga presionado TEMP UP (^) / DOWN (v) hasta que se muestre 0 horas en el LED del aire acondicionado.



OPERACIÓN COMBINADA DEL TIMER

(Configuración del Timer ON y OFF simultáneamente)

AUTO STOP > AUTO START

(Encendido > Apagado > Iniciar la operación)

Esta función es útil cuando desea detener el aire acondicionado después de acostarse y volver a encenderlo por la mañana cuando se despierta o cuando regresa a casa.

Ejemplo:

Para detener el aire acondicionado 2 horas después de la configuración y volver a encenderlo 10 horas después de la configuración.

1. Presione el botón TIMER hasta que aparezca el indicador TIMER OFF en el LED del acondicionador de aire.
2. Use el botón TEMP UP (↗) / DOWN (↘) para mostrar "2.0" en el LED del acondicionador de aire.
3. Presione el botón TIMER nuevamente para mostrar el TEMPORIZADOR APAGADO en el LED de la unidad.
4. Use el botón TEMP UP (↗) / DOWN (↘) para mostrar "10" en el LED de la unidad.
5. Espere 5 segundos hasta que aparezca la visualización anterior en el LED.

AUTO START > AUTO STOP

(Apagado > Iniciar > Parar la operación)

Esta función es útil cuando desea encender el aire acondicionado antes de despertarse y detenerlo después de que sale de la casa.

Ejemplo:

Para encender el aire acondicionado 5 horas después de la configuración, y detenerlo 8 horas después de la configuración.

1. Presione el botón TIMER hasta que se muestre el indicador TIMER ON en el LED del acondicionador de aire.
2. Use el botón TEMP UP (↗) / DOWN (↘) para visualizar "5.0" en el LED del acondicionador de aire.
3. Presione el botón TIMER nuevamente para mostrar el TEMPORIZADOR APAGADO en el LED de la unidad.
4. Utilice el botón TEMP UP (↗) / DOWN (↘) para visualizar "8.0" en el LED de la unidad.
5. Espere 5 segundos hasta que aparezca la visualización anterior en el LED.

NOTES

- El diseño del botón se basa en un modelo típico y puede variar ligeramente del real que compró.
- Este dispositivo cumple con la parte 15 de las Reglas de la FCC. El funcionamiento está sujeto a las dos condiciones siguientes: (1) Este dispositivo no puede causar interferencias perjudiciales, y (2) este dispositivo debe aceptar cualquier interferencia recibida, incluidas las interferencias que puedan causar un funcionamiento no deseado.
- Este equipo ha sido probado y se encontró que cumple con los límites para un dispositivo digital de Clase B, de acuerdo con la parte 15 de las Reglas de la FCC. Estos límites están diseñados para proporcionar una protección razonable contra interferencias dañinas en una instalación residencial. Este equipo genera, usa y puede irradiar energía de radiofrecuencia y, si no se instala y usa de acuerdo con las instrucciones, puede causar interferencia dañina a las comunicaciones de radio. Sin embargo, no hay garantía de que la interferencia no ocurra en una instalación en particular. Si este equipo causa interferencias perjudiciales para la recepción de radio o televisión, lo cual puede determinarse encendiendo y apagando el equipo, se recomienda al usuario que intente corregir la interferencia mediante una o más de las siguientes medidas:
 - Reorientar o reubicar la antena receptora.
 - Aumente la separación entre el equipo y el receptor.
 - Conecte el equipo a una toma de corriente en un circuito diferente al que está conectado el receptor.
 - Consulte con el distribuidor o un técnico experimentado en radio / TV para obtener ayuda.
 - Los cambios o modificaciones no aprobados por la parte responsable del cumplimiento pueden anular la autoridad de los usuarios para operar el equipo.

Advertencia de batería:

No mezcle pilas nuevas y viejas y no mezcle pilas alcalinas, estándar (carbono-zinc) o recargables (ni-cad, ni-mh, etc.)

Declaración de conformidad del proveedor 47 CFR § 2.1077 Información sobre el cumplimiento

Identificador único: Midea brand, RG51G(1)/CEFU1-1, RG51G(1)/CEFU1

Parte responsable Información de contacto de los Estados Unidos

Midea America Corporation
300 Kimball Dr
Parsippany NJ
07054

Número de teléfono o información de contacto en Internet: Midea.com/us

Declaración de cumplimiento de la FCC (productos sujetos a la Parte 15)

Este dispositivo cumple con la Parte 15 de las Normas de la FCC. La operación está sujeta a las siguientes dos condiciones: (1) Este dispositivo no puede causar interferencias perjudiciales, y (2) este dispositivo debe aceptar cualquier interferencia recibida, incluida la interferencia que pueda provocar un funcionamiento no deseado.

GARANTÍA Y POLÍTICA DE DEVOLUCIÓN

Garantía de Acondicionador de Aire Midea

Su producto está protegido por esta garantía:

El servicio de garantía debe ser obtenido de Servicios al Consumidor de Midea o prestador de servicio autorizado Midea.

Garantía

- Garantía limitada de uno año a partir de la fecha de compra original.

Midea, a través de sus servicios autorizados, deberá:

- Pagar todos los costos de reparación o sustitución de las piezas de este aparato que demuestren que estén defectuosas en materiales o hechura.

El consumidor será responsable de:

- Costos de diagnóstico, remoción, transporte y reinstalación requeridos por el servicio.
- Los costos de las llamadas de servicio que son el resultado de ítems indicados en el RESPONSABILIDADES NORMALES DEL CONSUMIDOR **

Las piezas de reemplazo Midea se utilizarán y garantizarán sólo por el período restante de la garantía original.

RESPONSABILIDADES NORMALES DEL CONSUMIDOR **

Esta garantía sólo se aplica a los productos de uso doméstico normal, y el consumidor es responsable de los ítems listados siguientes:

1. Uso correcto del aparato de acuerdo con las instrucciones proporcionadas con el producto.
2. Mantenimiento rutinario y limpieza necesaria para mantener el buen estado de funcionamiento.
3. Instalación correcta por un profesional de servicio autorizado de acuerdo con las instrucciones proporcionadas con el aparato y de acuerdo con todos los códigos locales de plomería, electricidad y/o gas.
4. Conexión adecuada a una fuente de alimentación conectada a tierra de suficiente voltaje, reemplazo de fusibles quemados, reparación de conexiones aflojadas o defectos en el cableado doméstico.
5. Gastos para facilitar el acceso al aparato para el servicio.
6. Daños después de la instalación.

EXCLUSIONES

Esta garantía no cubre lo siguiente:

- 1) Fallo causado por daño a la unidad mientras en su posesión (diferente de los daños causados por defecto o mal funcionamiento), mediante su instalación inadecuada, o por uso irracional de la unidad, incluyendo, pero no limitado a, la falta de mantenimiento razonable y necesario o de seguir las instalaciones escritas y el manual de instrucciones.
- 2) Daños causados por servicios realizados por personas que no sean prestadores de servicio autorizados Midea, por uso de piezas que no sean piezas de repuesto Midea, obtenidos desde personas que no sean de servicios al Consumidor Midea, o por causas externas como abuso, mal uso, suministro eléctrico inadecuado o casos fortuitos.
- 3) Si la unidad se pone a usos comerciales, de negocios, de alquiler u otro uso o aplicación que no sea para uso del consumidor, no hacemos ninguna garantía, expresa o implícita, incluyendo, pero sin limitado a, cualquier garantía implícita de comerciabilidad o idoneidad para un uso o propósito particular.
- 4) Productos sin números de serie originales o productos que tengan números de serie que se han alterado o no se puede determinar fácilmente.

Nota: Algunos estados no permiten la exclusión o limitación de daños incidentales o consecuentes. Así que esta limitación o exclusión no se aplique a usted.

SI USTED NECESITA SERVICIO

Conserve la factura de compra, la boleta de entrega o cualquier otro registro de pago apropiado.

La fecha en la factura estableció el período de garantía si requerir servicio.

Si el servicio se lleva a cabo, es su mejor interés para obtener y conservar todos los recibos.

Esta garantía escrita le otorga derechos legales específicos. Usted también puede tener otros derechos que varían de estado a estado.

El servicio bajo esta garantía debe ser obtenido mediante los siguientes pasos, en orden:

- 1) Póngase en contacto con Servicios al Consumidor Midea o un prestador de servicio autorizado Midea a 1 866 646 4332.
- 2) Si hay una pregunta sobre dónde obtener servicio, póngase en contacto con nuestro departamento de relaciones de consumidor.

POLITICA DE DEVOLUCION

Política de devolución

Preguntas sobre la instalación o el funcionamiento producto Midea?

- ♦ Si todavía necesita asistencia, por favor llame al Atención al Cliente en **1-866-646-4332**.
- ♦ Tenga disponible su recibo de compra número de serie y el número de modelo del producto cuando llame.

El producto podrá devolverse dentro de los 30 días de la compra con el recibo. Luego de los 30 días, el producto está cubierto por la garantía limitada. Consulte la sección de garantía en el manual de usuario para información.

**guarde su
comprobante**





make yourself at home



www.midea.com

© Midea 2023 all rights reserved
MAWOPP

16120300A31813

20231223