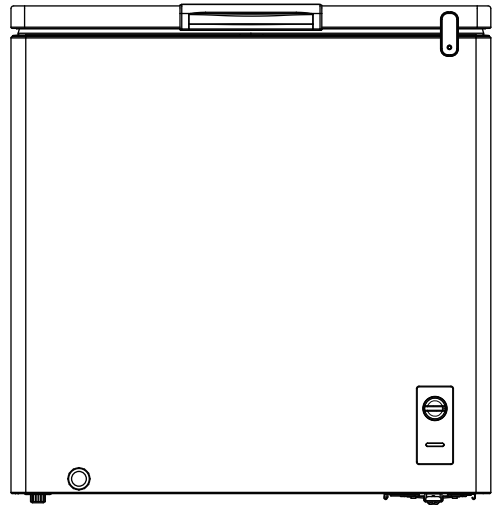




USER MANUAL

Chest Freezer

Power supply: 115 V~
Frequency: 60Hz
Capacity: 7.0 cu. ft.



Warning:
Before using this product, please read this manual carefully and keep it for future reference. The design and specifications are subject to change without prior notice for product improvement. Consult with your dealer or manufacturer for details.

Free 3 months extension of the original limited warranty period!* Simply text a picture of your proof of purchase to:

1-844-224-1614

*The warranty extension is for the three months immediately following the completion of the product's original warranty period. Individuals do not need to register the product in order to get all the rights and remedies of registered owners under the original limited warranty.

Dear user

Thank you for letting Midea help you **“make yourself at home.”**

This manual is part of our commitment to your total satisfaction. Please read this manual carefully before use and keep it in a convenient place for future reference.

To help us better serve you, please consider registering your product using our convenient Midea app MSmartlife, by visiting **<http://www.midea.com>**, or by texting a picture of your proof of purchase to **1-844-224-1614**.

By using the text option you will earn an additional **3 month** warranty extension immediately following the completion of the product's original warranty.

FREEZER SAFETY	3
OPERATION REQUIREMENTS	6
Location Requirements.....	6
Electrical Requirements.....	7
PARTS AND FEATURES	8
INSTALLATION.....	9
Unpack.....	9
Move to Final Location.....	9
BEFORE USE	10
Waiting Period.....	10
Cleaning	10
FREEZER USE	10
General	10
Control.....	11
FREEZER CARE	12
Cleaning	12
Defrosting.....	13
Moving.....	14
Storage.....	14
TROUBLESHOOTING	14
LIMITED WARRANTY.....	17

FREEZER SAFETY

YOUR SAFETY AND THE SAFETY OF OTHERS ARE VERY IMPORTANT

To prevent injury to the user or other people and property damage, the instructions shown here must be followed. Incorrect operation due to ignoring of instructions may cause harm or damage, including death.

The level of risk is shown by the following indications.



This symbol indicates the possibility of death or serious injury.



This symbol indicates the possibility of injury or damage to property.



This symbol indicates the possibility of dangerous voltage constituting a risk of electrical shock is present that could result in death or serious injury.

IMPORTANT SAFETY INSTRUCTIONS

WARNING

GENERAL APPLIANCE SAFETY

- Read all safety warnings, instructions, illustrations and specifications provided with this appliance. Failure to follow all instructions listed below may result in electric shock, fire and/or serious injury.
- Save all warnings and instructions for future reference

ELECTRICAL SAFETY

- Plug into a grounded 3 prong outfit.
- Do not remove ground plug.
- Do not use an adapter.
- Unplug the power cord by holding the plug, never by pulling the cord.
- DO NOT turn the appliance on or off by plugging or unplugging the power cord.
- DO NOT use an extension cord.
- Unplug the freezer before cleaning or defrosting.

Grounding requirement

- This freezer must be grounded. This freezer is equipped with a grounding plug. The plug must be inserted into an outlet that is properly installed and grounded.
- Improper use of the grounding plug can result in a risk of electric shock. Consult a qualified electrician or service person if the grounding instructions are not completely understood or if doubt exists as to whether the freezer is properly grounded.

LOCATION SAFETY

- This freezer is intended to be used in household and similar environments.
- Install in accordance with the manufacturer's instructions.
- This freezer should not be recessed or built-in an enclosed cabinet. It is designed for freestanding installation only.
WARNING - Keep ventilation openings, in the freezer, clear of obstruction.
- DO NOT install near any heat sources, such as radiators, heat registers, stoves, other cooking appliances or in direct sunlight.
- DO NOT store or use gasoline or any flammable liquids inside or in the vicinity of this freezer.

USE AND CARE SAFETY

- Flammable refrigerant used. Follow handling instructions carefully. Risk of fire or explosion due to puncture of refrigerant tubing.
- Flammable refrigerant used. Do not use mechanical devices to defrost freezer. Do not puncture refrigerant tubing.
- Do not place heavy objects or other appliances such as microwave ovens, toasters etc. on the lid of the freezer.
- This appliance is not intended for use by persons (including children) with reduced physical, sensory or mental capabilities, or lack of experience and knowledge, unless they have been given supervision or instruction concerning use of the appliance by a person responsible for their safety.
- Children should be supervised to ensure that they DO NOT play with the appliance.
- DO NOT touch the interior of the freezer with wet hands. This could result in frostbite.
- Clean only with a damp cloth. Use nonflammable cleaner.

SERVICE SAFETY

- Disconnect power before servicing.
- Flammable refrigerant used. To be repaired only by trained service personnel. Do NOT puncture refrigerant tubing.

- Refer all servicing to qualified service personnel. Do not repair or replace any part of this appliance unless specifically recommended in this manual. Servicing is required when the appliance has been damaged in any way, such as the power supply cord or plug is damaged, liquid has been spilled or objects have fallen into the appliance, the appliance has been exposed to rain or moisture, does not operate normally, or has been dropped.
- If the supply cord is damaged, it must be replaced by the manufacturer, its service agent, or similarly qualified person, in order to avoid a hazard.
- If component part is damaged, it must be replaced by the manufacturer, its service agent or similarly qualified persons in order to avoid a hazard.
- Replace all parts and panels before operating.

SAVE THESE INSTRUCTIONS

THIS APPLIANCE IS FOR HOUSEHOLD USE ONLY

State of California Proposition 65 Warnings:



WARNING: Cancer and Reproductive Harm
-www.P65Warnings.ca.gov.

PROPER DISPOSAL



WARNING

Suffocation Hazard

Before you throw away your old freezer:

- Remove the door or lid so that children cannot hide or get trapped inside your old appliance.
- Leave any shelves in place so that children may not easily climb inside.
- Failure to follow these instructions can result in death or brain damage.

IMPORTANT: Flammable gas and refrigerant used. It is the consumer's responsibility to comply with Federal and Local regulations when disposing of this product. Refrigerants must be evacuated by a licensed, EPA certified refrigerant technician in accordance with established procedures.

OPERATION REQUIREMENTS

LOCATION REQUIREMENTS

WARNING

Explosion and Fire Hazard

- Keep flammable materials and vapors, such as gasoline, away from appliance.
- Failure to do so, can result in death, explosion or fire.

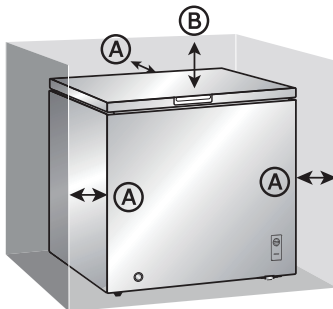
This freezer is designed to be freestanding only, and should not be recessed or built-in.

- Place your freezer on a floor that is level and strong enough to support the freezer when it is fully loaded.
- Place your freezer where there is access to the required electrical connection. See “Electrical Requirements.”
- Your freezer is designed for use in a location where the temperature will not exceed 110 °F (43 °C). Temperatures 32 °F and below will NOT affect operation.
- Locate the freezer away from direct sunlight and sources of heat, such as a stove, heater or radiator.

NOTE: Direct sunlight may affect the acrylic coating and heat sources may increase electrical consumption.

- Avoid locating the freezer in areas with high humidity.
- Adequate air circulation is required for efficient operation. Maintain the recommended clearance to ensure adequate air circulation.

RECOMMENDED CLEARANCE



- Ⓐ 8" (20 cm)
Between sides and back of cabinet and walls
- Ⓑ 20.9" (53 cm)
Above the freezer

ELECTRICAL REQUIREMENTS

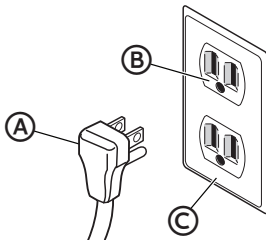
WARNING

Electrical Shock Hazard

- Plug into a grounded 3 prong outlet.
- Do not remove the ground prong from the power cord plug.
- Do not use an adapter.
- Do not use an extension cord.
- Failure to do so can result in death, fire or electrical shock.

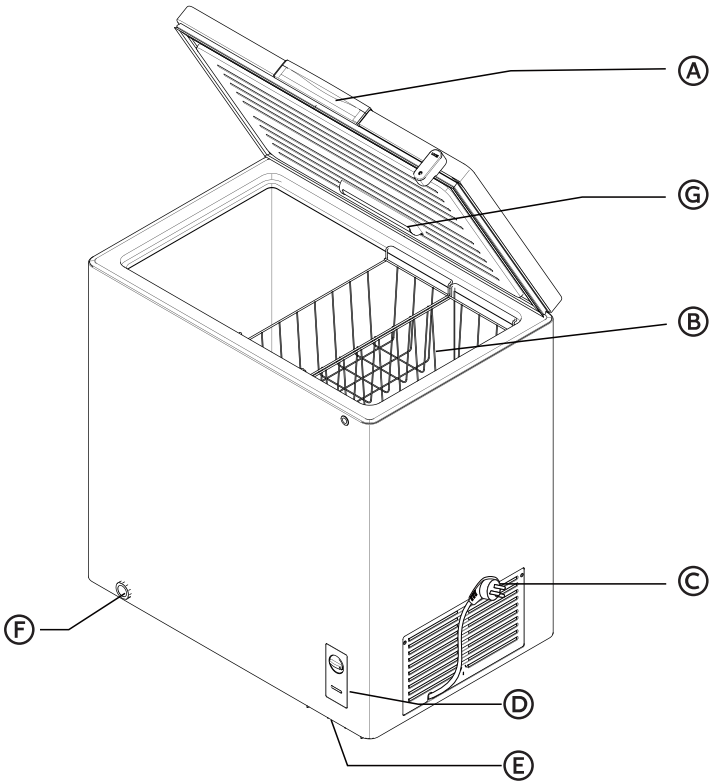
IMPORTANT: A 115 Volt, 60 Hz., AC only, 15-amp fused, grounded electrical supply is required.

- Use an electrical outlet that accepts the grounding prong.
NOTE: The power cord is equipped with a 3-prong (grounding) plug which mates with a standard 3-prong (grounding) electrical outlet.
- We recommend that the freezer be plugged into an electrical circuit serving **ONLY** this appliance.
- Use an electrical outlet that cannot be turned off with a switch or pull-chain.
- **DO NOT** use an extension cord.



- Ⓐ 3-prong plug
- Ⓑ 3-prong receptacle
- Ⓒ Receptacle box cover

PARTS AND FEATURES



(The picture above is only for reference. The actual configuration will depend on the physical product.)

- Ⓐ Lid handle
- Ⓑ Storage basket
- Ⓒ Power cord
- Ⓓ Temperature control (with power indicator)
- Ⓔ Casters (4)
- Ⓕ Drainage hole
- Ⓖ LED light

SPECIFICATIONS

Dimension (WxDxH)	32.0" x 22.1" x 34.4" (81.2 x 56.2 x 87.5 cm)
Power requirements	115 V ~ 60 Hz
Power cord length	67" (170 cm)

INSTALLATION

UNPACK

WARNING

Fire or Explosion Hazard

- Do not puncture refrigerant tubing.
- Follow handling instructions carefully.
- Flammable refrigerant used.
- Failure to do so can result in death, explosion or fire.

IMPORTANT: Remove ALL exterior and interior packing materials including the foam packing between the exterior condenser and the freezer cabinet.

MOVE TO FINAL LOCATION

WARNING

Fire or Explosion Hazard

- Do not puncture refrigerant tubing.
- Follow handling instructions carefully.
- Flammable refrigerant used.
- Failure to do so can result in death, explosion or fire.

IMPORTANT: If the freezer has been in a horizontal position for any period of time, wait 24 hours to allow the refrigerant to settle before plugging in the freezer.

Four casters are included to allow you to move the freezer easily.

- When moving the freezer, tape the lid closed.
NOTE: Tilting the freezer more than 45° could damage the compressor and the sealed system.
- When moving the freezer, DO NOT turn it upside down or on its side.

BEFORE USE

WAITING PERIOD

- Before connecting the freezer to power, wait 30 minutes for the refrigerant to settle.
- NOTE:** This reduces the possibility of a malfunction in the cooling system from improper handling during transportation.

CLEANING

1. Wash the freezer interior using a soft cloth dampened with a baking soda solution (2 tablespoons baking soda mixed with 1 quart of warm water).
2. Using a soft cloth, thoroughly dry all surfaces.

FREEZER USE

GENERAL

- The storage life of frozen foods varies and the recommended storage time should not be exceeded.
- Pre-packed, commercially frozen food should be stored in accordance with the frozen food manufacturer's instructions for a three-star frozen food storage compartment or home freezer.
- DO NOT put bottled food or drinks in the freezer.

WARNING

Electrical Shock Hazard

- Plug into a grounded 3 prong outlet.
- Do not remove the ground prong from the power cord plug.
- Do not use an adapter.
- Do not use an extension cord.
- Failure to do so can result in death, fire or electrical shock.

1. Plug in the freezer. The Power Indicator on the control should illuminate.
2. Set the Temperature Control dial to far right location of FREEZING. Wait 30 minutes, and then open the freezer lid to determine if the freezer is cooling.
3. Allow the freezer to continue to cool for 2 to 3 hours before adding fresh or frozen food.

NOTE: If the room temperature is warm, allow the freezer to cool for at least 4 hours before adding food.

4. Place food into the freezer as quickly as possible to prevent cold air from escaping the freezer.

POWER FAILURE

In the event of a power failure, food that is completely frozen will remain good for several hours.

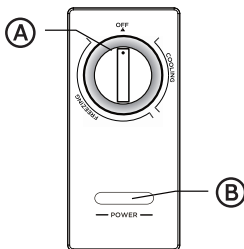
- Do not open the lid.
- Do not add fresh food to the freezer.

ENERGY SAVING TIPS

- Allow hot foods to cool to room temperature before placing them in the freezer. Foods that freeze too slowly may lose quality or spoil.
- Wrap foods properly and wipe containers dry before placing them in the freezer. This cuts down on frost build-up inside the freezer.
- Do not line freezer storage shelves or baskets with aluminum foil, wax paper or paper toweling. Liners interfere with cold air circulation, making the freezer less efficient.
- Organize and label food to reduce door openings and extended searches. Remove as many items as needed at one time, and then close the door as soon as possible.
- Do NOT add a large amount of unfrozen food to the freezer at one time. This will lower the cooling efficiency of the freezer.
- Overloading the freezer forces the compressor to run longer.

CONTROL

The Power Indicator on the Control will illuminate to let you know that the freezer is connected to a power supply.



- Ⓐ Temperature control dial
- Ⓑ Power indicator

SET TEMPERATURE

The temperature control, located near the lower, right-hand corner of the freezer, has three positions COOLING, OFF and FREEZING. This freezer is convertible between fridge and freezer.

- COOLING temperature: 34°F ~ 50°F (1°C-10°C)
- FREEZING temperature: 10°F ~ -11°F(-12°C ~ -24°C)
- OFF: Turns off cooling.

IMPORTANT: Setting the control to the Off position does NOT disconnect power to the freezer.

FREEZER CARE

Your freezer is designed for year-round use and requires minimal cleaning and maintenance. To keep your freezer running efficiently and odor free, we recommend that you clean the freezer regularly.

CLEANING

WARNING

Electrical Shock Hazard

- Unplug your appliance or disconnect power before cleaning.
- Failure to do so can result in death, electric shock or personal injury.

WARNING

Explosion Hazard

- Use nonflammable cleaner.
- Failure to do so can result in death, explosion or fire.

IMPORTANT: To prevent damage to the finish, DO NOT use gasoline, benzine, thinner or other solvents, and DO NOT use abrasive cleaners.

1. Unplug the freezer from the electrical outlet.
2. Remove all food.
3. Wash the baskets with a mild detergent solution.
4. Wash the freezer interior using a soft cloth dampened with a baking soda solution (2 tablespoons baking soda mixed with 1 quart of warm water).
5. Clean the gasket around the lid. Gently wipe the gasket using a soft cloth dampened with a mild detergent solution.

NOTE: Gaskets must be kept clean and pliable to assure a proper seal.

6. Using a soft cloth, thoroughly dry all surfaces.
7. Plug in or reconnect power.

DEFROSTING

WARNING

Fire or Explosion Hazard

- Do not puncture refrigerant tubing.
- Follow handling instructions carefully.
- Flammable refrigerant used.
- Failure to do so can result in death, explosion or fire.

Your freezer must be defrosted manually when set on FREEZING mode . For most efficient operation and to minimize energy consumption, defrost the freezer whenever the frost becomes $\frac{1}{4}$ " (6 mm) thick.

IMPORTANT: Do NOT use boiling water to defrost the freezer.

1. Turn the temperature control to the OFF position, and unplug the freezer.
2. Open the freezer lid and remove all food items. While defrosting, store the food where it will remain frozen.

NOTE: Defrosting usually takes a few hours. Keep the lid open to speed the defrosting process.

3. Place a collection tray (not provided) beneath the drainage hole to collect the water as the ice melts and drains.
4. Remove the plug from the drainage hole. Monitor the collection tray and empty it regularly to avoid overflow.
5. When defrosting is complete, wipe the freezer interior dry with a soft cloth and replace the plug into the drainage hole.

WARNING

Electrical Shock Hazard

- Plug into a grounded 3 prong outlet.
- Do not remove the ground prong from the power cord plug.
- Do not use an adapter.
- Do not use an extension cord.
- Failure to do so can result in death, fire or electrical shock.

6. Plug into a grounded 3 prong outlet.
7. Reset the temperature control to MAX, and wait 2 to 3 hours for the freezer to cool.
8. Return the frozen food to the freezer and set the temperature control to the desired setting.

MOVING

IMPORTANT: When moving your freezer, DO NOT tilt it beyond 45° from upright.

1. Unplug your freezer from the wall outlet.
2. Remove all food.
3. Securely tape down all loose items inside your freezer.
4. Tape the door shut.

STORAGE

IMPORTANT: Do not store freezer in a location that is accessible to children.

1. Unplug your freezer from the electrical outlet.
2. Remove all food.
3. Clean the freezer.
4. Tape wood or rubber blocks under the edge of the lid to allow air to circulate inside the freezer. This helps avoid possible formation of condensation, mold or odor.

TROUBLESHOOTING

IMPORTANT: DO NOT try to repair your freezer yourself. Doing so invalidates the warranty.

PROBLEM	POSSIBLE CAUSE	SOLUTION
The freezer does not operate	The freezer is unplugged.	Make sure that the freezer power cord is fully plugged into the electrical outlet.
	The fuse on the circuit is blown or the circuit breaker is tripped.	Check the house fuse / circuit breaker box and replace the fuse or reset the circuit breaker.
	Power failure.	If a power failure occurs, the freezer turns off. Wait until the power is restored.
	The Temperature control is set to OFF.	Turn the temperature control dial to MAX or MIN.
The freezer lid does not close completely	Food packages are interfering with the lid.	Move or remove some food items.
	The lid seals (gaskets) are dirty.	Clean the lid gaskets.

PROBLEM	POSSIBLE CAUSE	SOLUTION
Food in the freezer is not cold	The lid has been opened too often or was not closed properly.	Make sure the lid is closed properly.
	A large amount of food was recently added.	Allow time for the recently added food to cool, and then check again.
	The lid is not closed completely.	Check the seal (gasket) and food distribution to make sure the lid will close completely.
	The freezer has been disconnected for a period of time.	Allow 4 hours for the freezer to cool completely before adding food.
The freezer makes unusual noises or vibrations	The temperature control is set too warm.	Set the temperature control to a colder setting.
	The freezer cabinet is touching a wall.	Move the freezer away from the wall.
	Metal parts undergo expansion and contraction.	This is normal.
	Refrigerant circulating throughout the system may produce an airflow sound.	This is normal.
Moisture is building up in the interior of the freezer	Compressor may generate a buzzing sound, especially when starting up or shutting down.	This is normal.
	The solenoid valve or electric switch may clatter.	This is normal.
	The lid has been opened too often or was not closed properly.	Make sure that the lid is closed properly.
The freezer lid does not close completely	The freezer is located in a humid area.	Move the freezer to a drier location.
	The weather is hot and humid.	This is normal.
	Food packages are interfering with the lid closure.	Move or remove some food items.
	The lid gaskets are dirty.	Clean the lid gaskets.

PROBLEM	POSSIBLE CAUSE	SOLUTION
The compressor turns on and off frequently.	The room temperature is hotter than normal.	This is normal.
	There is a thick layer of frost in the freezer.	Defrost the freezer. See “Defrosting.”
	A large amount of food was recently added.	Allow time for the recently added food to cool, and then check again.
	The lid is not closed completely or was opened too often.	Check the seal (gasket) and food distribution to make sure the lid will close completely.
	The freezer has been disconnected for a period of time.	Allow 4 hours for the freezer to cool completely before adding food.
	The thermostat was not set correctly.	Set the thermostat to the correct setting.
Freezer has an odor	Freezer needs cleaning.	Clean the freezer. See, “Cleaning.”
	Improperly wrapped food is giving off an odor.	Wrap food tightly or seal before storing it in the freezer.

WARRANTY

Midea REFRIGERATOR LIMITED WARRANTY

ATTACH YOUR RECEIPT HERE. PROOF OF PURCHASE IS REQUIRED TO OBTAIN WARRANTY SERVICE.

Please have the following information available when you call the Customer Service Center:

- Name, address and telephone number
- Model number and serial number
- A clear, detailed description of the problem
- Proof of purchase including dealer or retailer name and address

IF YOU NEED SERVICE:

1. Before contacting us to arrange service, please determine whether your product requires repair. Some questions can be addressed without service. Please take a few minutes to review the Troubleshooting section of the User Manual, or visit <http://us.Midea.com/support>
2. All warranty service is provided exclusively by our authorized Midea Service Providers, in the U.S. and Canada.

Midea Customer Service

In the U.S.A. or Canada, call 1-866-646-4332.

If outside the 50 States of the United States or Canada, contact your authorized Midea dealer to determine whether another warranty applies.

1 YEAR PARTS AND LABOR

WHAT IS COVERED

FIRST YEAR LIMITED WARRANTY (PARTS AND LABOR)

Midea will repair or replace, without charge, any defects due to faulty materials or workmanship for one full year from the date of purchase. For further detail of warranty coverage and warranty repair information, visit www.midea.com or call **1-866-646-4332**.

Consumer will be responsible for:

- Diagnostics, removal, transportation and reinstallation cost required because of service.
- Costs of service calls that are a result of items listed under **NORMAL RESPONSIBILITIES OF THE CONSUMER****

NORMAL RESPONSIBILITIES OF THE CONSUMER**

This warranty applies only to products in ordinary household use, and the consumer is responsible for the items listed below:

1. Proper use of the appliance in accordance with the instructions provided with the product.
2. Routine maintenance and cleaning necessary to keep the good working condition.
3. Proper installation by an authorized service professional in accordance with instructions provided with the appliance and in accordance with all local plumbing, electrical and / or gas codes.
4. Proper connection to a grounded power supply of sufficient voltage, replacement of blown fuses, repair of loosened connections or defects in house wiring.
5. Expenses for making the appliance accessible for servicing.
6. Damages to finish after installation.

YOUR SOLE AND EXCLUSIVE REMEDY UNDER THIS LIMITED WARRANTY SHALL BE PRODUCT REPAIR OR REPLACEMENT AS PROVIDED HEREIN. Service must be provided by a Midea designated service company. This limited warranty is valid only in the 50 States of the United States or Canada and applies only when the major appliance is used in the country in which it was purchased. This limited warranty is effective from the date of original consumer purchase. Proof of original purchase date is required to obtain service under this limited warranty.

WHAT IS NOT COVERED

1. Failure caused by damage to the unit while in your possession (other than damage caused by defect or malfunction), by its improper installation, or by unreasonable use of the product, including without limitation, failure to provide reasonable and necessary maintenance or to follow the written Installation and Instruction Manual.
2. Products purchased "as-is" or refurbished are not covered by this warranty.
3. Food loss caused by refrigerator or freezer failure.
4. Service calls to repair or replace consumables such as water filters, light bulbs, air filters etc., or handles, knobs and other cosmetic parts.
5. Product that has been transferred from its original owner.
6. Interior or exterior rust on the unit.
7. Damages caused by services performed by persons other than authorized Midea servicers; use of parts other than Midea replacement parts; obtained from persons other than such Midea customer service; or external causes such as abuse, misuse, inadequate power supply or acts of God.
8. Service calls resulting from improper installation of your product.
9. Service calls to instruct you on the use of your product.
10. Surcharges including, but not limited to, any after hour, weekend, or holiday service calls, tolls, ferry trip charges, or mileage expense for service calls to remote areas, including the state of Alaska.
11. If the unit is put to commercial, business, rental, or other use or application other than for consumer use, we make no warranties, express or implied, including but not limited to, any implied warranty of merchantability or fitness for particular use or purpose.
12. Product that has been removed outside the USA or Canada.
13. Products without original serial numbers or products that have serial numbers which have been altered or cannot be readily determined.

NOTE: Some states do not allow the exclusion or limitation of incidental or consequential damages. So this limitation or exclusion may not apply to you.

The cost of repair or replacement under these excluded circumstances shall be borne by the customer.

DISCLAIMER OF IMPLIED WARRANTIES

IMPLIED WARRANTIES, INCLUDING ANY IMPLIED WARRANTY OF MERCHANTABILITY OR IMPLIED WARRANTY OF FITNESS FOR A PARTICULAR PURPOSE, ARE LIMITED TO ONE YEAR OR THE SHORTEST PERIOD ALLOWED BY LAW. Some states and provinces do not allow limitations on the duration of implied warranties of merchantability or fitness, so this limitation may not apply to you. This warranty gives you specific legal rights, and you also may have other rights that vary from state to state or province to province.

DISCLAIMER OF REPRESENTATIONS OUTSIDE OF WARRANTY

Midea makes no representations about the quality, durability, or need for service or repair of this major appliance other than the representations contained in this warranty. If you want a longer or more comprehensive warranty than the limited warranty that comes with this major appliance, you should ask Midea or your retailer about buying an extended warranty.

LIMITATION OF REMEDIES; EXCLUSION OF INCIDENTAL AND CONSEQUENTIAL DAMAGES

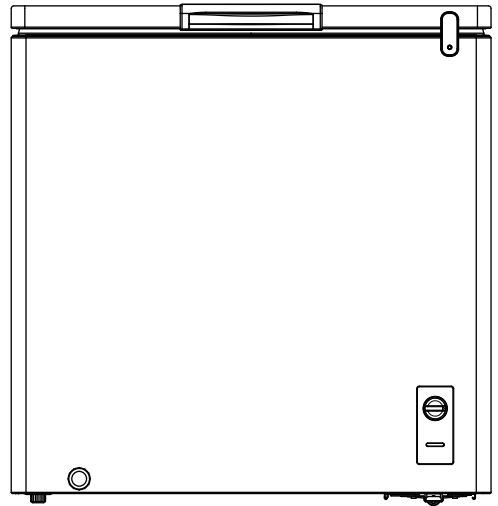
YOUR SOLE AND EXCLUSIVE REMEDY UNDER THIS LIMITED WARRANTY SHALL BE PRODUCT REPAIR AS PROVIDED HEREIN. MIDEA SHALL NOT BE LIABLE FOR INCIDENTAL OR CONSEQUENTIAL DAMAGES. Some states and provinces do not allow the exclusion or limitation of incidental or consequential damages, so these limitations and exclusions may not apply to you. This warranty gives you specific legal rights, and you also may have other rights that vary from state to state or province to province.



GUIDE DE L'UTILISATEUR

Congélateur horizontal

Alimentation en électricité : 115 V~
Fréquence : 60Hz
Capacité : 7,0 pi³



**Extension gratuite
de 3 mois de la période
de garantie limitée initiale!***
Envoyez simplement une
photo de votre preuve d'achat
par message texte au :

1-844-224-1614

*L'extension de garantie porte sur les trois mois
suivant immédiatement
la fin de la période de garantie initiale du produit.
Les particuliers n'ont pas besoin d'enregistrer le
produit pour obtenir tous les droits et recours des
propriétaires enregistrés en vertu de la garantie
limitée d'origine.

Avertissement :

Avant d'utiliser ce produit,
veuillez lire le présent guide avec
soin et le conserver aux fins de
consultation ultérieure. Le
concept et les spécifications
peuvent changer sans préavis à
titre d'amélioration de produit.
Consultez votre concessionnaire
ou fabricant pour obtenir des
précisions.

Cher utilisateur

Merci de laisser Midea vous aider à “ **vous sentir comme chez vous** ”. Ce manuel fait partie de notre engagement envers v faction. Veuillez lire le présent manuel attentivement avant d'utiliser le produit et le conserver dans un endroit pratique pour consultation ultérieure.

Pour nous aider à mieux vous servir, veuillez envisage d'enregistrer votre produit en utilisant notre application pratique MSmartlife de Midea, en consultant la page <http://www.midea.com>, ou en envoyant une photo de votre preuve d'achat par message texte au **1-844-224-1614**.

En utilisant l'option de texte, vous obtiendrez une prolongation de garantie supplémentaire de **trois mois** immédiatement après l'achèvement de la garantie originale du produit.

SÉCURITÉ DE CONGÉLATEUR	3
EXIGENCES EN MATIÈRE DE FONCTIONNEMENT	7
Exigences en Matière D'emplacement	7
Exigences électriques	8
PIÈCES ET CARACTÉRISTIQUES	9
INSTALLATION.....	10
Déballage.....	10
Déplacez à sa destination finale	10
AVANT L'UTILISATION.....	11
Période d'attente	11
Nettoyage.....	11
UTILISATION DU CONGÉLATEUR.....	11
Généralités	11
Commandes.....	12
ENTRETIEN DU CONGÉLATEUR	13
Nettoyage.....	13
Dégivrage	14
Déplacement	15
Emplacement	15
DÉPANNAGE	16
GARANTIE LIMITÉE	19

SÉCURITÉ DE CONGÉLATEUR

VOTRE SÉCURITÉ PERSONNELLE ET CELLE DES AUTRES PERSONNES SONT D'UNE IMPORTANCE CAPITALE.

Pour éviter toutes blessures de l'utilisateur ou d'autres personnes et tous dommages matériels, il est impératif de suivre les instructions dans le présent guide. Une utilisation incorrecte de l'appareil en raison du non-respect des instructions peut causer des blessures ou des dommages, et même la mort.

Les indications suivantes illustrent le niveau de risque.



AVERTISSEMENT

Ce symbole signale la possibilité de mort ou de blessure grave.



ATTENTION

Ce symbole signale la possibilité de blessure ou de dommages matériels.



AVERTISSEMENT

Ce symbole signale la possibilité d'une tension dangereuse constituant un risque de choc électrique susceptible d'entraîner la mort ou une blessure grave.

CONSIGNES DE SÉCURITÉ IMPORTANTES

AVERTISSEMENT

SÉCURITÉ EN MATIÈRE D'ÉLECTROMÉNAGERS

- Lisez tous les avertissements en matière de sécurité, les directives et les spécifications fournies avec cet appareil. Le défaut de lire toutes les directives pourrait entraîner une décharge électrique, un incendie et/ou une blessure grave.
- Conservez tous les avertissements et les directives pour référence future.

SÉCURITÉ ÉLECTRIQUE

- Branchez dans une prise à 3 fiches mise à la terre.
- Ne retirez pas la fiche de mise à la terre.
- N'utilisez pas d'adaptateur.
- Débranchez le cordon d'alimentation en tenant la prise, jamais en tirant sur le cordon.
- NE JAMAIS activer ou désactiver l'appareil en branchant ou en débranchant le cordon d'alimentation.
- NE JAMAIS utiliser de rallonge.
- Débranchez le congélateur avant de le nettoyer ou de le dégivrer.

Exigences de mise à la masse

- Ce congélateur doit être mis à la masse. Ce congélateur est doté d'une fiche de mise à la masse. La fiche doit être insérée dans une prise qui a été installée et mise à la masse de façon appropriée.
- L'utilisation inappropriée de la fiche de mise à la masse peut provoquer une décharge électrique. Consultez un électricien certifié ou un préposé à l'entretien si vous ne comprenez pas les directives de mise à la masse ou si vous croyez que le congélateur ne fait pas l'objet d'une mise à la masse appropriée.

SÉCURITÉ DE L'EMPLACEMENT

- Ce congélateur a été conçu pour une utilisation résidentielle ou l'équivalent.
- Installez-le en respectant les consignes du fabricant.
- Le congélateur ne doit pas être encastré dans un endroit restreignant. Il est conçu pour se retrouver à aire ouverte seulement. **AVERTISSEMENT** — Gardez les ouvertures de ventilation du congélateur à l'écart des obstructions.
- NE JAMAIS installer près d'une source de chaleur comme une plinthe, un radiateur, un poêle ou autre appareil de cuisson ou en plein soleil.
- NE JAMAIS remiser ou utiliser d'essence ou autres liquides inflammables près de ce congélateur.

SÉCURITÉ – UTILISATION ET SOINS

- Fluide frigorigène inflammable utilisé. Suivez attentivement les directives de manutention. Risque d'incendie ou d'explosion si le tube de fluide frigorigène est perforé.
- Fluide frigorigène inflammable utilisé. N'utilisez pas de dispositif mécanique pour dégivrer le congélateur. Ne percez pas le tube du fluide frigorigène.
- Ne placez aucun objet lourd ou autre appareil comme un four à micro-ondes, grille-pain, etc. sur le couvercle du congélateur

- Cet appareil n'est pas destiné à des personnes (y compris des enfants) à capacités réduites, tant physiques que sensorielles ou mentales, ou qui n'ont aucune expérience ou connaissance, à moins d'être sous la supervision ou d'avoir obtenu des directives d'une personne responsable et qualifiée.
- Les enfants doivent faire l'objet d'une supervision afin de s'assurer qu'ils ne tentent PAS de jouer avec l'appareil.
- NE JAMAIS toucher à l'intérieur du congélateur alors que vos mains sont mouillées. Ceci pourrait provoquer une engelure.
- Nettoyez uniquement avec un linge humide. Utilisez un nettoyeur non inflammable.

SÉCURITÉ – ENTRETIEN

- Débranchez l'appareil avant d'effectuer l'entretien.
- Fluide frigorigène inflammable utilisé. Doit être réparé uniquement par une personne formée. Ne percez PAS le tube du fluide frigorigène.
- Faites appel à une personne d'entretien qualifiée. Ne réparez pas ou ne remplacez pas de pièces sur cet appareil à moins qu'il ne le soit recommandé dans le manuel. L'appareil doit faire l'objet d'un entretien s'il a été endommagé au niveau du cordon d'alimentation ou de la fiche, si le fluide s'est échappé ou si des objets sont tombés dans l'appareil, ou encore si ce dernier a été exposé à la pluie ou à l'humidité, ne fonctionne pas normalement ou a fait l'objet d'une chute.
- Si le cordon d'alimentation est endommagé, il doit être remplacé par le fabricant, l'agent responsable de son entretien, ou toute autre personne qualifiée, afin d'éviter tout danger.
- Si un composant est endommagé, il doit être remplacé par le fabricant, l'agent responsable de son entretien, ou toute autre personne qualifiée, afin d'éviter tout danger.
- Remplacez toutes les pièces et les panneaux avant de faire fonctionner.

CONSERVER CES CONSIGNES

CET APPAREIL EST UNIQUEMENT DESTINÉ À UN USAGE DOMESTIQUE

Avertissement - Proposition 65 de l'État de Californie:



AVERTISSEMENT : Cancer et effets nocifs sur la reproduction
-www.P65Warnings.ca.gov.

MISE AU REBUT APPROPRIÉE



AVERTISSEMENT

Dangers de suffocation

Avant de mettre au rebut votre ancien congélateur :

- Déposez la porte ou le couvercle de sorte que les enfants ne puissent se cacher ou s'emprisonner dans l'ancien appareil.
- Laissez les étagères en place, faisant en sorte que les enfants ne puissent y pénétrer.
- Le défaut de respecter ces directives peut entraîner la mort ou des dommages au cerveau.

IMPORTANT : Gaz et fluide frigorigène inflammables utilisés. Il en revient au consommateur de respecter les règlements fédéraux et municipaux lors de la mise au rebut de ce produit. Les fluides frigorigènes doivent être évacués par un technicien certifié et agréé de l'EPA en matière de fluide frigorigène, selon les procédures établies.

EXIGENCES EN MATIÈRE DE FONCTIONNEMENT

EXIGENCES EN MATIÈRE D'EMPLACEMENT

! AVERTISSEMENT

Danger d'explosion et d'incendie

- Gardez les matériaux et vapeurs inflammables, comme de l'essence, à l'écart de cet appareil.
- Le non-respect de cette directive peut entraîner la mort, une explosion ou un incendie.

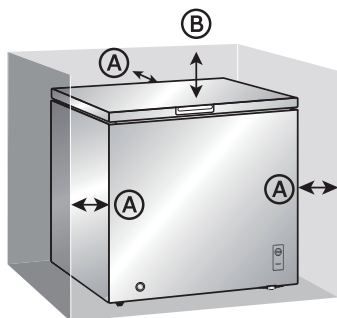
Le congélateur est conçu pour se retrouver à aire ouverte et ne doit pas être encastré.

- Placez votre appareil sur un plancher de niveau, capable de supporter le congélateur lorsqu'il est rempli.
- Placez votre congélateur près d'une fiche électrique décrite dans les directives. Consultez "Exigences électriques."
- Votre congélateur est conçu pour une utilisation dans un emplacement où la température ne dépassera pas 110 °F (43 °C). Les températures de 32 °F ou moins n'affecteront PAS le fonctionnement.
- Placez le congélateur à l'écart du soleil et autre source de chaleur, comme un poêle, un radiateur ou une plinthe.

REMARQUE : Le plein soleil peut endommager le revêtement en acrylique et les sources de chaleur peuvent augmenter la consommation électrique.

- Évitez de placer le congélateur dans un endroit à humidité élevée.
- On doit y retrouver une circulation d'air adéquate pour assurer un fonctionnement optimal. Respectez le dégagement recommandé pour assurer une circulation d'air appropriée.

DÉGAGEMENT RECOMMANDÉ



- Ⓐ Jeu de 8 po (20 cm) entre les côtés et l'arrière de l'appareil et les murs
- Ⓑ Jeu de 20,9 po (53 cm) au-dessus du congélateur

EXIGENCES ÉLECTRIQUES

AVERTISSEMENT

Risque de choc électrique

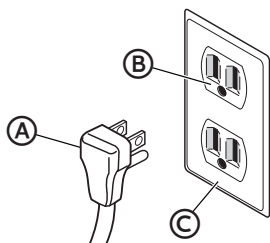
- Branchez dans une prise à 3 fiches mise à la masse.
- Ne retirez pas la fiche de mise à la masse sur le cordon d'alimentation.
- N'utilisez pas d'adaptateur.
- N'utilisez pas de rallonge.
- Le non-respect de cette directive peut entraîner la mort, un incendie ou une décharge électrique.

IMPORTANT : Utilisez un fusible 115 V, 60 Hz, c.a., 15 A comme source électrique mise à la masse.

- Utilisez une prise électrique compatible avec une fiche de mise à la masse.

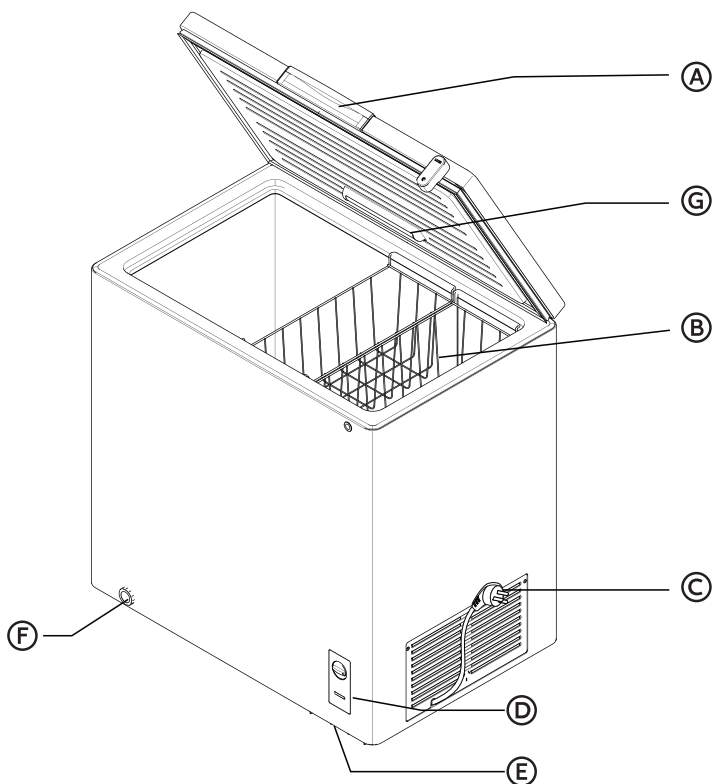
REMARQUE : Le cordon d'alimentation est doté d'une prise à 3 fiches (mise à la masse) qui est compatible à toute prise électrique standard à 3 fiches.

- Nous recommandons que le congélateur soit branché dans un circuit électrique réservé **UNIQUEMENT** pour cet appareil.
- Utilisez une prise électrique qui ne peut être fermée par un interrupteur ou une chaînette à tirer.
- **NE JAMAIS** utiliser de rallonge.



- (A) Prise à 3 fiches
- (B) Prise de charge à 3 fiches
- (C) Couverture de boîtier de prise de charge

PIÈCES ET CARACTÉRISTIQUES



(L'illustration ci-dessus n'est fournie qu'à des fins de référence. La configuration réelle dépendra du produit physique.)

- (A) Poignée de couvercle
- (B) Panier de rangement
- (C) Cordon d'alimentation
- (D) Régulateur de température (avec indicateur d'alimentation)
- (E) Roulettes (4)
- (F) Trou de drainage
- (G) Lumière LED

SPÉCIFICATIONS

Dimensions (LxPxH) :	32,0" x 22,1" x 34,4" (81.2 x 56.2 x 87.5 cm)
Exigences d'alimentation	115 V ~ 60 Hz
Longueur de cordon d'alimentation	67" (170 cm)

INSTALLATION

DÉBALLAGE

AVERTISSEMENT

Incendie ou Risque d'explosion

- Ne perforez pas le tube du fluide frigorigène.
- Suivez attentivement les directives de manutention.
- Fluide frigorigène inflammable utilisé.
- Le non-respect de cette directive peut entraîner la mort, une explosion ou un incendie.

IMPORTANT : Retirez TOUT le matériel d'emballage extérieur et intérieur, y compris l'emballage en mousse situé entre le condenseur extérieur et le congélateur.

DÉPLACEZ À SA DESTINATION FINALE

AVERTISSEMENT

Incendie ou Risque d'explosion

- Ne perforez pas le tube du fluide frigorigène.
- Suivez attentivement les directives de manutention.
- Fluide frigorigène inflammable utilisé.
- Le non-respect de cette directive peut entraîner la mort, une explosion ou un incendie.

IMPORTANT : Si le congélateur se trouvait à l'horizontale pendant une certaine période, attendez 24 heures avant de brancher le congélateur pour laisser le fluide frigorigène reprendre sa place.

On retrouve 4 roulettes permettant de déplacer le congélateur aisément.

- Lors du déplacement du congélateur, fermez le couvercle à l'aide de ruban adhésif.

REMARQUE : Ce faisant, vous pourriez endommager le compresseur et le système scellé.

- En déplaçant le congélateur, NE le tournez PAS à l'envers ou sur les côtés.

AVANT L'UTILISATION

PÉRIODE D'ATTENTE

- Avant de brancher le congélateur dans la prise électrique, attendez 30 minutes que le réfrigérant à régler.

REMARQUE : Ceci diminue les risques de défectuosité dans le système de refroidissement dans le cas d'une manutention inappropriée lors du transport.

NETTOYAGE

1. Lavez l'intérieur du congélateur à l'aide d'un linge doux et humide et d'une solution de bicarbonate de soude (2 c. à table de bicarbonate de soude dans 1 pinte d'eau tiède).
2. Utilisez un linge doux pour essorer toutes les surfaces.

UTILISATION DU CONGÉLATEUR

GÉNÉRALITÉS

- La durée de vie des aliments surgelés peut varier et la durée recommandée ne doit pas être dépassée.
- Les aliments surgelés commerciaux et préemballés doivent respecter les directives du fabricant pour un compartiment 3 étoiles ou un congélateur résidentiel.
- NE JAMAIS mettre de bouteilles ou de boissons dans un congélateur.

AVERTISSEMENT

Risque de choc électrique

- Branchez dans une prise à 3 fiches mise à la masse.
 - Ne retirez pas la fiche de mise à la masse sur le cordon d'alimentation.
 - N'utilisez pas d'adaptateur.
 - N'utilisez pas de rallonge.
 - Le non-respect de cette directive peut entraîner la mort, un incendie ou une décharge électrique.
1. Branchez le congélateur. L'indicateur d'alimentation devrait s'allumer sur le régulateur.
 2. Réglez le cadran du régulateur de température à endroit extrême droit de congélation. Attendez 30 minutes, puis ouvrez le couvercle du congélateur pour voir si ce dernier se refroidit.

3. Laissez le congélateur se refroidir pendant 2 à 3 heures avant d'insérer de la nourriture fraîche ou surgelée.

REMARQUE : Si la température de la pièce est élevée, laissez le congélateur se refroidir pendant au moins 4 heures avant d'y placer de la nourriture.

4. Placez les aliments le plus rapidement possible dans le congélateur afin d'empêcher l'air froid de s'échapper du congélateur.

PANNE ÉLECTRIQUE

Si une panne électrique survient, les aliments qui sont entièrement surgelés demeureront sans danger pendant plusieurs heures.

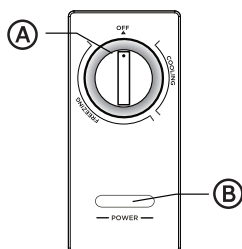
- N'ouvrez pas le couvercle.
- N'ajoutez pas d'aliments frais dans le congélateur.

CONSEILS DE CONSERVATION D'ÉNERGIE

- Laissez les aliments chauds se refroidir à la température de la pièce avant de les placer dans le congélateur. Les aliments mettant du temps à surgeler peuvent se dégrader ou se gâter.
- La surcharge du congélateur fait en sorte que le compresseur fonctionne plus longtemps.
- Emballez les aliments de façon appropriée et essuyez bien les récipients avant de les mettre dans le congélateur. Ceci réduit l'accumulation de givre dans le congélateur.
- Ne placez pas de papier aluminium, de papier ciré ou d'essuie-tout sur les étagères. Ces derniers nuisent à la circulation d'air froid, diminuant le rendement du congélateur.
- Organisez et étiquetez vos aliments afin de diminuer les occasions d'ouverture de porte et la recherche sur une période prolongée. Sortez le plus d'articles possible, puis refermez la porte aussitôt.
- N'ajoutez PAS en même temps de grandes quantités d'aliments non surgelés dans le congélateur. Ceci affectera l'efficacité de refroidissement du congélateur.

COMMANDES

L'indicateur d'alimentation sur le régulateur s'allume pour vous indiquer que le congélateur est branché à une source d'alimentation.



- (A) Cadran du régulateur de température
- (B) Indicateur d'alimentation

RÉGLAGE DE LA TEMPÉRATURE

Le régulateur de température, situé près du coin inférieur droit du congélateur, affiche trois positions soit COOLING, OFF et FREEZING. Ce congélateur est convertible entre réfrigérateur et congélateur.

- Température COOLING: 34°F ~ 50°F (1°C-10°C)
- Température FREEZING: 10°F ~ -11°F(-12°C ~ -24°C)
- OFF : Désactive le refroidissement.

IMPORTANT : Le fait de régler la commande à la position OFF ne débranche PAS l'alimentation du congélateur.

ENTRETIEN DU CONGÉLATEUR

Votre congélateur est conçu pour une utilisation soutenue et n'exige qu'un nettoyage et un entretien minimal. Pour assurer le bon fonctionnement de votre congélateur, libre de toute odeur, nous recommandons un nettoyage régulier.

NETTOYAGE

AVERTISSEMENT

Risque de choc électrique

- Débranchez votre appareil ou coupez l'alimentation avant de procéder au nettoyage.
- Le non-respect de cette directive peut entraîner la mort, une décharge électrique ou des blessures corporelles.

AVERTISSEMENT

Risque d'explosion

- Utilisez un nettoyant non inflammable.
- Le non-respect de cette directive peut entraîner la mort, une explosion ou un incendie.

IMPORTANT : Pour empêcher d'endommager le revêtement, n'utilisez PAS d'essence, de benzène, de diluant ou autre solvant, et n'utilisez PAS de nettoyants abrasifs.

1. Débranchez le congélateur de la prise électrique.
2. Retirez tous les aliments.
3. Retirez et lavez toutes les étagères avec un détergent doux.
4. Lavez l'intérieur du congélateur à l'aide d'un linge doux et humide et d'une solution de bicarbonate de soude (2 c. à table de bicarbonate de soude dans 1 pinte d'eau tiède).

5. Nettoyez le joint d'étanchéité autour de la porte. Essuyez délicatement le joint à l'aide d'un linge humide doux et d'une solution de détergent doux.

REMARQUE : Les joints doivent être propres et flexibles pour assurer une bonne étanchéité.

6. Utilisez un linge doux pour essorer toutes les surfaces.
7. Branchez de nouveau l'appareil.

DÉGIVRAGE



AVERTISSEMENT

Danger d'incendie ou d'explosion

- Ne perforez pas le tube du fluide frigorigène.
- Suivez attentivement les directives de manutention.
- Fluide frigorigène inflammable utilisé.
- Le non-respect de cette directive peut entraîner la mort, une explosion ou un incendie.

Votre congélateur doit être dégivré manuellement lorsqu'il est réglé sur le mode FREEZING. Pour un fonctionnement optimal et pour minimiser la consommation d'énergie, dégivrez le congélateur lorsque le givre atteint une épaisseur de $\frac{1}{4}$ po (6 mm).

IMPORTANT : N'utilisez PAS d'eau bouillante pour dégivrer le congélateur.

1. Mettez la commande de température à la position OFF, puis débranchez le congélateur.
2. Ouvrez le couvercle du congélateur, puis retirez tous les aliments. Durant le dégivrage, placez les aliments à un endroit leur permettant de demeurer surgelés.

REMARQUE : Le dégivrage peut prendre quelques heures. Gardez le couvercle ouvert pour accélérer le processus de dégivrage.

3. Placez un plateau collecteur (non fourni) sous le trou de drainage pour collecter l'eau qui fond et s'écoule.
4. Retirez le bouchon du trou de drainage. Surveillez le plateau collecteur et videz-le régulièrement pour éviter le débordement.
5. Lorsque le dégivrage est terminé, essorez l'intérieur du congélateur avec un linge doux et remettez le bouchon dans le trou de drainage.

AVERTISSEMENT

Risque de choc électrique

- Branchez dans une prise à 3 fiches mise à la masse.
- Ne retirez pas la fiche de mise à la masse sur le cordon d'alimentation.
- N'utilisez pas d'adaptateur.
- N'utilisez pas de rallonge.
- Le non-respect de cette directive peut entraîner la mort, un incendie ou une décharge électrique.

6. Branchez dans une prise à 3 fiches mise à la masse.
7. Réglez de nouveau la température à MAX et attendez 2 à 3 heures pour permettre au congélateur de se refroidir.
8. Remplacez les aliments surgelés dans le congélateur et réglez la température au niveau désiré.

DÉPLACEMENT

IMPORTANT : En déplaçant votre congélateur, n'inclinez PAS ce dernier plus de 45° de la position verticale.

1. Débranchez le congélateur de la prise électrique.
2. Retirez tous les aliments.
3. Fixez du ruban sur tous les articles amovibles à l'intérieur du congélateur.
4. Fixez du ruban sur la porte.

EMPLACEMENT

IMPORTANT : Ne placez pas le congélateur dans un endroit accessible aux enfants.

1. Débranchez le congélateur de la prise électrique.
2. Retirez tous les aliments.
3. Nettoyez le congélateur.
4. Placez des blocs de bois ou de caoutchouc sous les bords du couvercle pour permettre à l'air de circuler à l'intérieur du congélateur. Ceci contribue à éviter la formation de condensation, de moisissure ou d'odeurs.

DÉPANNAGE

IMPORTANT : NE TENTEZ PAS de réparer votre congélateur vous-même. Ce faisant, vous annulez votre garantie.

PROBLÈME	CAUSE POSSIBLE	SOLUTION
Le congélateur ne fonctionne pas	Le congélateur est débranché.	Assurez-vous que le cordon d'alimentation soit bien inséré dans la prise électrique.
	Le fusible dans le circuit est brûlé ou le disjoncteur est déclenché.	Vérifiez la boîte à fusible/ le disjoncteur et remplacez le fusible ou rétablissez le disjoncteur.
	Panne électrique.	Lors d'une panne électrique, le congélateur se désactive. Attendez le retour du courant.
	Le réglage de la température est à la position OFF	Tournez le cadran du régulateur de température à la position MAX ou MIN.
Le couvercle du congélateur ne se referme pas complètement	Des emballages obstruent la fermeture de la couvercle.	Déplacez ou retirez des aliments.
	Les joints d'étanchéité du couvercle sont souillés.	Nettoyez les joints d'étanchéité du couvercle.
Les aliments dans le congélateur ne sont pas froids	Le couvercle a été ouvert trop souvent ou est mal fermé.	Assurez-vous que le couvercle soit fermé de façon appropriée.
	Une grande quantité d'aliments vient d'être ajoutée au congélateur.	Allouez assez de temps pour permettre à ces nouveaux aliments de se refroidir, puis vérifiez de nouveau.
	Le couvercle n'est pas fermé complètement.	Vérifiez le joint d'étanchéité et la disposition des aliments, et assurez-vous que le couvercle se referme correctement.
	Le congélateur a été débranché sur une période prolongée.	Allouez 4 heures avant d'ajouter des aliments pour permettre au congélateur de se refroidir.
	Le réglage de la température est trop chaud.	Réglez la température à un niveau plus froid.

PROBLÈME	CAUSE POSSIBLE	SOLUTION
Le congélateur émet des bruits ou des vibrations inhabituels	Le congélateur touche à un mur.	Éloignez le congélateur du mur.
	Les pièces de métal font l'objet d'une expansion et d'une contraction.	Ceci est normal.
	Le fluide frigorigène circule dans tout le système.	Ceci est normal.
	Le compresseur pourrait émettre un son de bourdonnement, surtout lors de l'activation ou de la désactivation.	Ceci est normal.
L'humidité s'accumule à l'intérieur du congélateur	L'électrovalve ou le commutateur électrique pourrait vibrer.	Ceci est normal.
	Le couvercle a été ouvert trop souvent ou est mal fermé.	Assurez-vous que le couvercle soit fermé de façon appropriée.
	Le congélateur est situé dans une zone humide.	Déplacez le congélateur dans un endroit plus sec.
Le couvercle du congélateur ne se referme pas complètement	La température est élevée et humide.	Ceci est normal.
	Des emballages obstruent la fermeture du couvercle.	Déplacez ou retirez des aliments.
	Les joints d'étanchéité du couvercle sont souillés.	Nettoyez les joints d'étanchéité du couvercle.

PROBLÈME	CAUSE POSSIBLE	SOLUTION
Le compresseur s'active et se désactive fréquemment	La température de la pièce est plus élevée qu'en temps normal.	Ceci est normal.
	Vous remarquez une couche épaisse de givre dans le congélateur.	Dégivrez le congélateur. Consultez "Dégivrage."
	Une grande quantité d'aliments vient d'être ajoutée au congélateur.	Allouez assez de temps pour permettre à ces nouveaux aliments de se refroidir, puis vérifiez de nouveau.
	Le couvercle n'est pas fermé correctement ou a été ouvert trop souvent.	Vérifiez le joint d'étanchéité et la disposition des aliments, et assurez-vous que le couvercle se referme correctement.
	Le congélateur a été débranché sur une période prolongée.	Allouez 4 heures avant d'ajouter des aliments pour permettre au congélateur de se refroidir.
	Le thermostat n'a pas été réglé correctement.	Réglez le thermostat au niveau approprié.
Le congélateur dégage une odeur	Le congélateur a besoin d'être nettoyé.	Nettoyez le congélateur. Consultez "Nettoyage."
	Les aliments mal emballés dégagent une odeur.	Emballer les aliments de façon adéquate avant de les placer dans le congélateur.



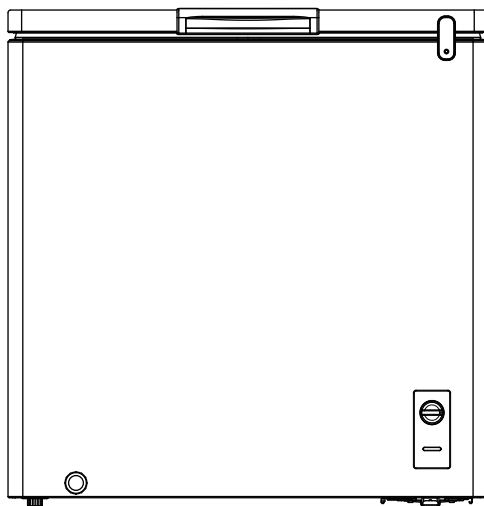
Congelador Horizontal

Fuente de alimentación: 115 V~
Frecuencia: 60Hz
Capacidad: 7.0 cu. ft.

Advertencia:
Antes de utilizar este producto, lea atentamente este manual y guárdelo para consultarlo posteriormente. El diseño y las especificaciones están sujetos a cambios sin previo aviso para mejoras de los productos. Consulte con su distribuidor o fabricante para obtener detalles.

version A - 02 - 2022

MANUAL DE USUARIO



**¡Extensión gratuita
de 3 meses del período
original de la garantía
limitada!*Simplemente envíe
una foto de su comprobante
de compra al:**

1-844-224-1614

*La extensión de la garantía es por los tres meses inmediatamente posteriores a la finalización del período de la garantía original del producto.

No es necesario que las personas registren el producto para obtener todos los derechos y recursos de los propietarios registrados en virtud de la garantía limitada original.

NÚMERO DE MODELO MRC07M7A WW

www.midea.com

Estimado usuario

Gracias por permitir que Midea le ayude a **“hacer que se sienta en casa”**. Este manual es parte de nuestro compromiso con su satisfacción total. Lea detenidamente este manual antes de utilizar este producto, y guardelo en un lugar conveniente para su consulta futura.

Para ayudarnos a brindarle un mejor servicio, considere registrar su producto con nuestra práctica aplicación Midea MSmartlife, visitando **<http://www.midea.com>**, o enviando por mensaje de texto una foto de su comprobante de compra al **1-844-224-1614**.

Al utilizar la opción de texto, obtendrá una extensión de la garantía adicional de **3 meses** inmediatamente después de completar la garantía original del producto.

SEGURIDAD DEL CONGELADOR	3
REQUISITOS OPERATIVOS	7
Requisitos de Ubicación	7
Requisitos Eléctricos.....	8
PIEZAS Y CARACTERÍSTICAS	9
INSTALACIÓN	10
Desempacar.....	10
Mover a la ubicación final.....	10
ANTES DE USAR	11
Período de espera	11
Limpieza.....	11
USO DEL CONGELADOR	11
General	11
Control.....	13
CUIDADO DEL CONGELADOR	13
Limpieza.....	13
Descongelación.....	14
Mudanza.....	15
Almacenamiento.....	15
SOLUCIÓN DE PROBLEMAS	16
GARANTÍA LIMITADA	19

SEGURIDAD DEL CONGELADOR

SU SEGURIDAD Y LA SEGURIDAD DE LOS DEMÁS SON MUY IMPORTANTES

Para prevenir lesiones del usuario y otras personas y daños materiales, se deben seguir las instrucciones que se muestran debajo. El funcionamiento incorrecto por ignorar las instrucciones puede causar daños o heridas, e incluso la muerte.

El nivel de riesgo se muestra según las siguientes indicaciones.



Este símbolo indica la posibilidad de muerte o heridas graves.



Este símbolo indica la posibilidad de lesiones o daños a la propiedad.



Este símbolo indica que existe la posibilidad de voltaje peligroso con un riesgo de descarga eléctrica, lo que puede provocar la muerte o heridas graves.

INSTRUCCIONES IMPORTANTES DE SEGURIDAD

ADVERTENCIA

SEGURIDAD GENERAL DEL ELECTRODOMÉSTICO

- Lea todas las advertencias de seguridad, instrucciones, ilustraciones y especificaciones provistas con este electrodoméstico. El incumplimiento de todas las instrucciones que se enumeran a continuación puede provocar descargas eléctricas, incendios y/o lesiones graves.
- Guarde todas las advertencias e instrucciones para futuras referencias.

SEGURIDAD ELÉCTRICA

- Enchufe en un tomacorriente de 3 clavijas con conexión a tierra.
- No quite el enchufe de conexión a tierra.
- No use un adaptador.
- Desconecte el cable de alimentación sujetando el enchufe, nunca tirando del cable.
- NO encienda ni apague el electrodoméstico enchufando o desenchufando el cable de alimentación.
- NO utilice un cable de extensión.
- Desconecte el congelador antes de limpiarlo o descongelarlo.

Requisito de conexión a tierra

- Este congelador debe estar conectado a tierra. Este congelador está equipado con un enchufe de conexión a tierra. El enchufe debe insertarse en un tomacorriente que esté correctamente instalado y conectado a tierra.
- El uso incorrecto del enchufe de conexión a tierra puede provocar un riesgo de descarga eléctrica. Consulte a un electricista o técnico calificado si las instrucciones de conexión a tierra no se entienden completamente o si existen dudas sobre si el congelador está conectado a tierra correctamente.

SEGURIDAD DE LA UBICACIÓN

- Este congelador está diseñado para usarse en entornos domésticos y similares.
- Haga la instalación conforme a las instrucciones del fabricante.
- Este congelador no debe estar empotrado o incorporado en un gabinete cerrado. Está diseñado para la instalación independiente solamente.
ADVERTENCIA - Mantenga las aberturas de ventilación, en el congelador, libres de obstrucciones.
- NO lo instale cerca de fuentes de calor, como radiadores, registradores de calor, estufas, otros aparatos de cocina o bajo la luz solar directa.
- NO almacene ni use gasolina ni ningún líquido inflamable dentro o cerca de este congelador.

SEGURIDAD SOBRE USO Y CUIDADO

- Se ha utilizado un refrigerante inflamable. Siga cuidadosamente las instrucciones de manejo. Existe riesgo de incendio o explosión debido a la perforación de la tubería del refrigerante.
- Se ha utilizado un refrigerante inflamable. No utilice dispositivos mecánicos para descongelar el congelador. No perforo la tubería del refrigerante.
- No coloque objetos pesados ni otros electrodomésticos, como hornos de microondas, tostadoras, etc., en la tapa del congelador.
- Este electrodoméstico no está destinado a ser utilizado por personas (incluidos niños) con capacidades físicas, sensoriales o mentales reducidas, o por falta de experiencia y conocimiento, a menos que hayan sido supervisados o instruidos sobre el uso del electrodoméstico por una persona responsable de su seguridad.
- Los niños deben ser supervisados para asegurarse que NO jueguen con el electrodoméstico.
- NO toque el interior del congelador con las manos mojadas. Esto podría dar lugar a una quemadura por congelación.
- Limpie solo con un paño húmedo. Use un limpiador no inflamable.

SEGURIDAD DE SERVICIO

- Desconecte la corriente antes de realizar el servicio.
- Se ha utilizado un refrigerante inflamable. Para ser reparado solo por personal de servicio capacitado. NO perforo la tubería del refrigerante.
- Remita todo el servicio al personal de servicio calificado. No repare ni reemplace ninguna parte de este electrodoméstico a menos que se recomiende específicamente en este manual. El servicio se requiere cuando el electrodoméstico se ha dañado de alguna manera, por ejemplo: el cable de alimentación o el enchufe está dañado, se ha derramado líquido o han caído objetos dentro del dispositivo, el aparato ha estado expuesto a la lluvia o la humedad, no funciona normalmente, o se ha caído.
- Si el cable de alimentación está dañado, debe ser reemplazado por el fabricante, su agente de servicio o una persona con calificaciones similares, para evitar un peligro.
- Si la pieza del componente está dañada, debe ser reemplazada por el fabricante, su agente de servicio o personas con calificaciones similares para evitar un peligro.
- Reemplace todas las partes y paneles antes de poner en funcionamiento.

GUARDE ESTAS INSTRUCCIONES

ESTE ELECTRODOMÉSTICO ES SOLO PARA USO DOMÉSTICO

Advertencias de la “Proposition 65” del estado de California:



ADVERTENCIA: Riesgos de cáncer y daños al sistema reproductivo: www.P65Warnings.ca.gov.

ELIMINACIÓN ADECUADA



ADVERTENCIA

Peligro de asfixia

Antes de tirar su congelador viejo:

- Quite la puerta o la tapa para que los niños no puedan esconderse o quedar atrapados dentro de su viejo electrodoméstico.
- Deje los estantes en su lugar para que los niños no puedan entrar fácilmente.
- El incumplimiento de estas instrucciones puede provocar la muerte o daño cerebral.

IMPORTANTE: Se han utilizado gas y refrigerante inflamables. Es responsabilidad del consumidor cumplir con las regulaciones federales y locales al desechar este producto. Los refrigerantes deben ser evacuados por un técnico de refrigerantes certificado y reconocido por la Agencia de Protección Ambiental (EPA por sus siglas en inglés), de acuerdo con los procedimientos establecidos.

REQUISITOS OPERATIVOS

REQUISITOS DE UBICACIÓN

ADVERTENCIA

Peligro de explosión e incendio

- Mantenga los materiales y vapores inflamables, como la gasolina, lejos del electrodoméstico.
- El incumplimiento de estas instrucciones puede provocar la muerte, explosión o incendio.

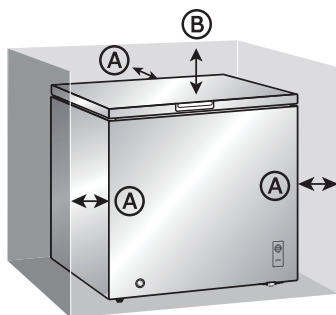
Este congelador está diseñado para para la instalación independiente, y no debe estar empotrado o incorporado.

- Coloque el congelador en un piso que esté nivelado y lo suficientemente fuerte como para sostener el congelador cuando esté completamente cargado.
- Coloque el congelador donde haya acceso a la conexión eléctrica requerida. Consulte “Requisitos eléctricos”.
- El congelador está diseñado para usarse en un lugar donde la temperatura no exceda de 110°F (43°C). Las temperaturas de hasta 32°F NO afectarán la operación.
- Ubique el congelador lejos de la luz solar directa y las fuentes de calor, como una estufa, un calentador o un radiador.

NOTA: La luz solar directa puede afectar el recubrimiento acrílico y las fuentes de calor pueden aumentar el consumo eléctrico.

- Evite ubicar el congelador en áreas con alta humedad.
- Se requiere una circulación de aire adecuada para una operación eficiente. Mantenga la separación recomendada para asegurar una circulación de aire adecuada.

ESPACIOS RECOMENDADOS



A 8" (20 cm) entre los lados y la parte posterior de la carcasa y las paredes

B 20,9" (53 cm) arriba del congelador

REQUISITOS ELÉCTRICOS

⚠ ADVERTENCIA

Peligro de choque eléctrico

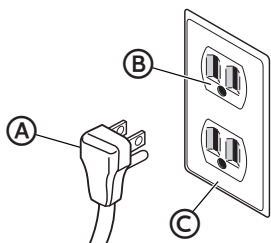
- Enchufe en un tomacorriente de 3 clavijas con conexión a tierra.
- No quite la clavija de conexión a tierra del enchufe del cable de alimentación.
- No use un adaptador.
- No utilice un cable de extensión.
- El incumplimiento de estas instrucciones puede provocar la muerte, incendio o descarga eléctrica.

IMPORTANTE: Se requiere una fuente de alimentación eléctrica de 115 voltios, 60 Hz, de CA solamente, con fusible de 15 amperios y con conexión a tierra.

- Use un tomacorriente que permita la clavija de conexión a tierra.

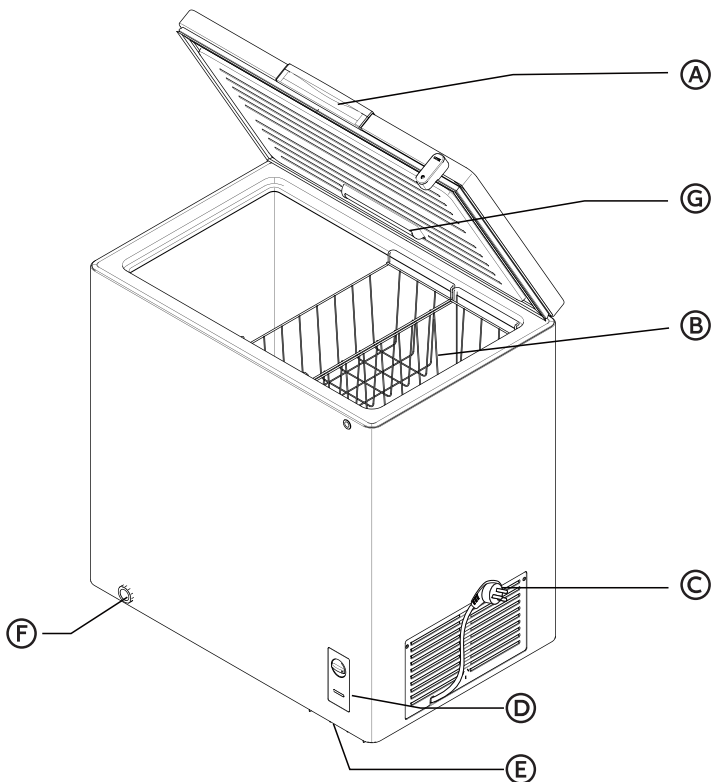
NOTA: El cable de alimentación está equipado con un enchufe de 3 clavijas (con conexión a tierra) que se acopla a un tomacorriente eléctrico estándar de 3 clavijas (con conexión a tierra).

- Recomendamos que el congelador esté enchufado a un circuito eléctrico que sirva SOLAMENTE a este aparato.
- Use un tomacorriente que no pueda apagarse con un interruptor o cadena de tiro.
- NO utilice un cable de extensión.



- Ⓐ Enchufe de 3 clavijas
- Ⓑ Receptáculo de 3 clavijas
- Ⓒ Tapa de la caja del receptáculo

PIEZAS Y CARACTERÍSTICAS



(La imagen de arriba es sólo para su referencia. La configuración real dependerá del producto físico.)

- A** Asa de la tapa
- B** Cesta de almacenamiento
- C** Cable de alimentación
- D** Control de temperatura (con indicador de energía)
- E** Ruedas (4)
- F** Orificio de drenaje
- G** Luz LED

ESPECIFICACIONES

Dimensiones (An. x Prof. x Al.):	32,0" x 22,1" x 34,4" (81.2 x 56.2 x 87.5 cm)
Requerimientos de energía	115 V - 60 Hz
Longitud del cable de alimentación	67" (170 cm)

INSTALACIÓN

DESEMPACAR

ADVERTENCIA

Peligro de explosión o incendio

- No perfora la tubería del refrigerante.
- Siga cuidadosamente las instrucciones de manejo.
- Se ha utilizado un refrigerante inflamable.
- El incumplimiento de estas instrucciones puede provocar la muerte, explosión o incendio.

IMPORTANTE: Retire TODOS los materiales de empaque exterior e interior, incluido el empaque de espuma entre el condensador exterior y la carcasa del congelador.

MOVER A LA UBICACIÓN FINAL

ADVERTENCIA

Peligro de explosión o incendio

- No perfora la tubería del refrigerante.
- Siga cuidadosamente las instrucciones de manejo.
- Se ha utilizado un refrigerante inflamable.
- El incumplimiento de estas instrucciones puede provocar la muerte, explosión o incendio.

IMPORTANTE: Si el congelador ha estado en una posición horizontal durante un período de tiempo, espere 24 horas para permitir que el refrigerante se asiente antes de enchufarlo.

Se incluyen cuatro ruedas para que pueda mover el congelador fácilmente.

- Cuando mueva el congelador, cierre la tapa con cinta adhesiva.

NOTA: Si inclina el congelador más de 45°, podría dañar el compresor y el sistema sellado.

- Cuando mueva el congelador, NO lo ponga boca abajo o de lado.

ANTES DE USAR

PERÍODO DE ESPERA

- Antes de enchufar el congelador a un tomacorriente eléctrico, espere 30 minutos para que refrigerante para asentarse.

NOTA: Esto reduce la posibilidad de un mal funcionamiento en el sistema de enfriamiento por un manejo inadecuado durante la transportación.

LIMPIEZA

1. Lave el interior del congelador con un paño suave humedecido con una solución de bicarbonato de sodio (2 cucharadas de bicarbonato de sodio mezclado con 1 litro de agua tibia).
2. Usando un paño suave, seque bien todas las superficies.

USO DEL CONGELADOR

GENERAL

- La vida de almacenamiento de los alimentos congelados varía y no se debe exceder el tiempo de almacenamiento recomendado.
- Los alimentos preenvasados y congelados comercialmente deben almacenarse de acuerdo con las instrucciones del fabricante de alimentos congelados para un compartimiento de almacenamiento de alimentos congelados de tres estrellas o un congelador doméstico.
- NO ponga alimentos o bebidas embotelladas en el congelador.



ADVERTENCIA

Peligro de choque eléctrico

- Enchufe en un tomacorriente de 3 clavijas con conexión a tierra.
- No quite la clavija de conexión a tierra del enchufe del cable de alimentación.
- No use un adaptador.
- No utilice un cable de extensión.
- El incumplimiento de estas instrucciones puede provocar la muerte, incendio o descarga eléctrica.

1. Enchufe el congelador. El indicador de energía en el control debe iluminarse.
2. Coloque el selector del control de temperatura en ubicación extrema derecha de congelación. Espere 30 minutos y luego abra la tapa del congelador para determinar si el congelador está enfriando.

3. Permita que el congelador continúe enfriándose de 2 a 3 horas antes de agregar alimentos frescos o congelados.

NOTA: Si la temperatura ambiente es cálida, deje que el congelador se enfríe durante al menos 4 horas antes de agregar alimentos.

4. Coloque los alimentos en el congelador lo más rápido posible para evitar que el aire frío se escape del congelador.

FALLO EN EL SUMINISTRO ELÉCTRICO

En el caso de un fallo en el suministro eléctrico, los alimentos que están completamente congelados permanecerán en buen estado por varias horas.

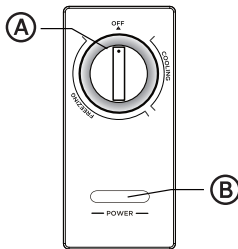
- No abra la tapa.
- No agregue alimentos frescos al congelador.

CONSEJOS PARA AHORRAR ENERGÍA

- Deje que los alimentos calientes se enfríen a temperatura ambiente antes de colocarlos en el congelador. Los alimentos que se congelan muy lentamente pueden perder calidad o echarse a perder.
- La sobrecarga del congelador obliga al compresor a funcionar durante más tiempo.
- Envuelva los alimentos adecuadamente y seque los recipientes antes de colocarlos en el congelador. Esto reduce la acumulación de escarcha dentro del congelador.
- No cubra los estantes del congelador con papel de aluminio, papel encerado o papel de toalla. Los revestimientos interfieren con la circulación de aire frío, lo que hace que el congelador sea menos eficiente.
- Organice y etiquete los alimentos para reducir las aperturas de las puertas y las búsquedas prolongadas. Retire tantos elementos como sea necesario a la vez, y luego cierre la puerta lo antes posible.
- NO agregue una gran cantidad de alimentos no congelados al congelador a la vez. Esto disminuirá la eficiencia de enfriamiento del congelador.

CONTROL

El indicador de energía en el control se iluminará para hacerle saber que el congelador está conectado a una fuente de alimentación.



- (A) Selector del control de temperatura
- (B) Indicador de energía

AJUSTE DE TEMPERATURA

El control de temperatura, ubicado cerca de la esquina inferior derecha del congelador, tiene tres posiciones COOLING, OFF y FREEZING. Este congelador es convertible entre frigorífico y congelador.

- Temperatura COOLING: 34°F ~ 50°F (1°C-10°C)
- Temperatura FREEZING: 10°F ~ -11°F (-12°C ~ -24°C)
- OFF: Apaga el enfriamiento

IMPORTANTE: Al poner el control en la posición de OFF (Apagado) NO se desconecta la energía al congelador.

CUIDADO DEL CONGELADOR

El congelador está diseñado para usarlo durante todo el año y requiere una limpieza y un mantenimiento mínimos. Para mantener el congelador funcionando de manera eficiente y sin olores, le recomendamos que lo limpie regularmente.

LIMPIEZA

ADVERTENCIA

Peligro de choque eléctrico

- Desenchufe el aparato o desconecte la corriente antes de limpiarlo.
- El incumplimiento de estas instrucciones puede provocar la muerte, descargas eléctricas o lesiones personales.

ADVERTENCIA

Peligro de explosión

- Use un limpiador no inflamable.
- El incumplimiento de estas instrucciones puede provocar la muerte, explosión o incendio.

IMPORTANTE: Para evitar dañar el acabado, NO use gasolina, bencina, diluyentes u otros solventes, y NO use limpiadores abrasivos.

1. Desconecte el congelador del tomacorriente.
2. Retire toda la comida.
3. Quite y lave los estantes con una solución de detergente suave.
4. Lave el interior del congelador con un paño suave humedecido con una solución de bicarbonato de sodio (2 cucharadas de bicarbonato de sodio mezclado con 1 litro de agua tibia).
5. Limpie la junta alrededor de la puerta. Limpie suavemente la junta con un paño suave humedecido con una solución de detergente suave.

NOTA: Las juntas deben mantenerse limpias y flexibles para asegurar un sellado adecuado.

6. Usando un paño suave, seque bien todas las superficies.
7. Enchufe o vuelva a conectar la corriente.

DESCONGELACIÓN

ADVERTENCIA

Peligro de incendio o explosión

- No perforo la tubería del refrigerante.
- Siga cuidadosamente las instrucciones de manejo.
- Se ha utilizado un refrigerante inflamable.
- El incumplimiento de estas instrucciones puede provocar la muerte, explosión o incendio.

El congelador debe descongelarse manualmente cuando está en modo CONGELACIÓN. Para un funcionamiento más eficiente y para minimizar el consumo de energía, descongele el congelador siempre que la escarcha tenga un grosor de $\frac{1}{4}$ " (6 mm).

IMPORTANTE: NO use agua hirviendo para descongelar el congelador.

1. Gire el control de temperatura a la posición OFF (Apagado) y desenchufe el congelador.
2. Abra la tapa del congelador y retire todos los alimentos. Mientras descongela, almacene los alimentos donde permanezcan congelados.

NOTA: La descongelación suele tardar unas horas. Mantenga la tapa abierta para acelerar el proceso de descongelación.

3. Coloque una bandeja de recolección (no provista) debajo del orificio de drenaje para recoger el agua a medida que el hielo se derrite y drena.
4. Retire el tapón del orificio de drenaje. Supervise la bandeja de recolección y vacíela regularmente para evitar el desbordamiento.
5. Cuando haya finalizado la descongelación, seque el interior del congelador con un paño suave y vuelva a colocar el tapón en el orificio de drenaje.



ADVERTENCIA

Peligro de choque eléctrico

- Enchufe en un tomacorriente de 3 clavijas con conexión a tierra.
- No quite la clavija de conexión a tierra del enchufe del cable de alimentación.
- No use un adaptador.
- No utilice un cable de extensión.
- El incumplimiento de estas instrucciones puede provocar la muerte, incendio o descarga eléctrica.

6. Enchufe en un tomacorriente de 3 clavijas con conexión a tierra.
7. Restablezca el control de temperatura a MAX, y espere de 2 a 3 horas para que el congelador se enfríe.
8. Vuelva a colocar los alimentos congelados al congelador y ajuste el control de temperatura a la configuración deseada.

MUDANZA

IMPORTANTE: Al mover el congelador, NO lo incline más allá de 45° desde la posición vertical.

1. Desconecte el congelador del tomacorriente.
2. Retire toda la comida.
3. Asegure con cinta adhesiva todos los artículos sueltos dentro del congelador.
4. Asegure con cinta adhesiva la puerta cerrada.

ALMACENAMIENTO

IMPORTANTE: No almacene el congelador en un lugar al que puedan acceder los niños.

1. Desconecte el congelador del tomacorriente.
2. Retire toda la comida.
3. Limpie el congelador.
4. Pegue bloques de madera o caucho debajo del borde de la tapa para permitir que el aire circule dentro del congelador. Esto ayuda a evitar la posible formación de condensación, moho u olor.

SOLUCIÓN DE PROBLEMAS

IMPORTANTE: NO intente reparar el congelador usted mismo. Hacerlo invalida la garantía.

PROBLEMA	CAUSA POSIBLE	SOLUCIÓN
El congelador no funciona	El congelador está desenchufado.	Asegúrese que el cable de alimentación del congelador esté completamente enchufado en el tomacorriente.
	El fusible en el circuito está fundido o el disyuntor se ha disparado.	Verifique la caja de fusibles / disyuntores de la casa y reemplace el fusible o reinicie el disyuntor.
	Fallo en el suministro eléctrico.	Si se produce un fallo en el suministro eléctrico, el congelador se apaga. Espere hasta que se restablezca la corriente.
	El control de temperatura está en OFF (Apagado).	Gire el selector de control de temperatura a MAX o MIN.
La tapa del congelador no cierra completamente.	Los paquetes de alimentos están interfiriendo con la puerta.	Mueva o retire algunos alimentos.
	Los sellos de la tapa (las juntas) están sucios (sucias).	Limpie las juntas de la tapa.

PROBLEMA	CAUSA POSIBLE	SOLUCIÓN
La comida en el congelador no está fría	La tapa se ha abierto con demasiada frecuencia o no se ha cerrado correctamente.	Asegúrese que la tapa esté cerrada correctamente.
	Una gran cantidad de comida fue añadida recientemente.	Deje que se enfríe la comida que acaba de agregar y luego verifique nuevamente.
	La tapa no está completamente cerrada.	Verifique el sello (la junta) y la distribución de alimentos para asegurarse que la tapa se cierre completamente.
	El congelador ha sido desconectado por un período de tiempo.	Espere 4 horas para que el congelador se enfríe completamente antes de agregar alimentos.
El congelador hace ruidos o vibraciones inusuales	El control de temperatura está en un ajuste demasiado caliente.	Fije el control de temperatura a un ajuste más frío.
	La carcasa del congelador está tocando una pared.	Aleje el congelador de la pared.
	Las piezas metálicas son sometidas a expansión y contracción.	Esto es normal.
	El refrigerante está circulando por todo el sistema.	Esto es normal.
	El compresor puede generar un zumbido, especialmente cuando se inicia o se apaga.	Esto es normal.
La válvula solenoide o el interruptor eléctrico pueden vibrar.	Esto es normal.	
Se acumula humedad en el interior del congelador	La tapa se ha abierto con demasiada frecuencia o no se ha cerrado correctamente.	Make sure that the lid is closed properly.
	El congelador se encuentra en un área húmeda.	Mueva el congelador a un lugar más seco.
	El clima es cálido y húmedo.	Esto es normal.

PROBLEMA	CAUSA POSIBLE	SOLUCIÓN
La tapa del congelador no cierra completamente.	Los paquetes de alimentos están interfiriendo con el cierre de la tapa.	Mueva o retire algunos alimentos.
	Las juntas de la tapa están sucias.	Limpie las juntas de la tapa.
El compresor se enciende y apaga con frecuencia	La temperatura ambiente es más alta de lo normal.	Esto es normal.
	Hay una gruesa capa de escarcha en el congelador.	Descongele el congelador. Vea “Descongelación”.
	Una gran cantidad de comida fue añadida recientemente.	Deje que se enfríe la comida que acaba de agregar y luego verifique nuevamente.
	La tapa no está completamente cerrada o se abrió con demasiada frecuencia.	Verifique el sello (la junta) y la distribución de alimentos para asegurarse que la tapa se cierre completamente.
	El congelador ha sido desconectado por un período de tiempo.	Espere 4 horas para que el congelador se enfríe completamente antes de agregar alimentos.
	El termostato no estaba ajustado correctamente.	Fije el termostato en la configuración correcta.
El congelador tiene un olor	El congelador necesita limpieza.	Limpie el congelador. Consulte “Limpieza”.
	Los alimentos mal envueltos están desprendiendo un olor.	Envuelva bien los alimentos o séllelos antes de guardarlos en el congelador.

Seguridad del Congelador

Requisitos Operativos

Piezas y Características

Installation

Antes de Usar

Uso del Congelador

Cuidado del Congelador

Solución de Problemas



make yourself at home