

Refrigerator
TOP MOUNTED FREEZER SERIES

USER MANUAL

MRT18D2BST/MRT18D3BST
MRT18D2BWW/MRT18D3BWW
MRT18D2BBB/MRT18D3BBB

Warning notices: Before using this product, please read this manual carefully and keep it for future reference. The design and specifications are subject to change without prior notice for product improvement. Consult with your dealer or manufacturer for details.
The diagram above is just for reference. Please take the appearance of the actual product as the standard.

LANGUAGES

EN English

FR French

ES Spanish

THANK YOU LETTER

Thank you for choosing Midea! Before using your new Midea product, please read this manual thoroughly to ensure that you know how to operate the features and functions that your new appliance offers in a safe way.

CONTENTS

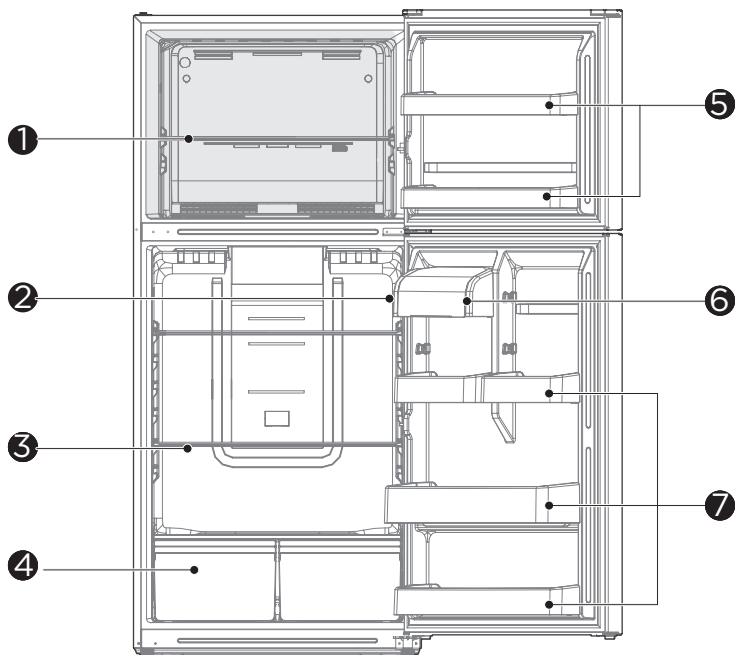
THANK YOU LETTER	01
SPECIFICATIONS	02
PRODUCT OVERVIEW	03
PRODUCT INSTALLATION	04
OPERATION INSTRUCTIONS	12
CLEANING AND MAINTENANCE	16
TROUBLESHOOTING	18

SPECIFICATIONS

Product model	MRT18D2B**/MRT18D3B**
Total Storage Volume	18 cu.ft.
Rated Voltage	115V~/60Hz
Rated Current	1.2A
Overall Dimension (H x W x D)	66.6 in x 29.7 in x 30.7 in

PRODUCT OVERVIEW

Names of components



- | | | | |
|---|----------------------------|---|-------------------------|
| 1 | Freezer glass shelf | 5 | Freezer door trays |
| 2 | Display control | 6 | Dairy box |
| 3 | Refrigerator glass shelves | 7 | Refrigerator door trays |
| 4 | Fruits and vegetables box | | |

ATTENTION

The picture above is only for reference. The actual configuration will depend on the physical product or statement by the distributor.

When the refrigerator is powered on for the initial time, storing too much food may adversely affect the cooling effect of the refrigerator.

Do not block the air outlet during food storage, which may adversely affect the cooling effect.

If the temperature in fridge compartment is cold, please adjust the switcher to the weaker position. If the temperature in fridge compartment is not cold enough, please adjust the switcher to the strong position.

EN

PRODUCT INSTALLATION

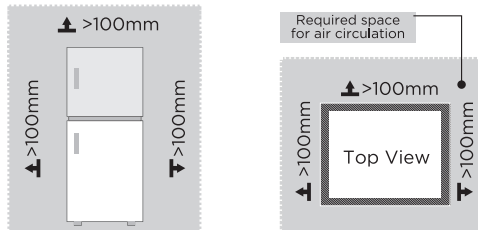
Installation Instructions

Finding a suitable location

- This refrigerator is designed to be free standing only, and should not be recessed or built-in.
- The refrigerator should be placed in a well-ventilated indoor place; the ground shall be flat and sturdy .
- Keep away from heat and avoid direct sunlight. Do not place the refrigerator in moist or watery places to prevent rust or reduction of insulating effect.

Dimensions and Clearances

- Too small of a distance from adjacent items may result in the degradation of freezing capability and increased electricity costs. Allow over 100 mm of clearance from each adjacent wall when installing the appliance.



EN

Providing a proper power supply

- Check your local power source. This refrigerator requires a **AC115 V, 60 Hz** power supply.
- Use a receptacle that accepts the grounding prong. The power cord is equipped with a 3-prong (grounding) plug which mates with a standard 3-prong (grounding) wall outlet to minimize the possibility of electric shock hazard from this refrigerator.



CAUTION

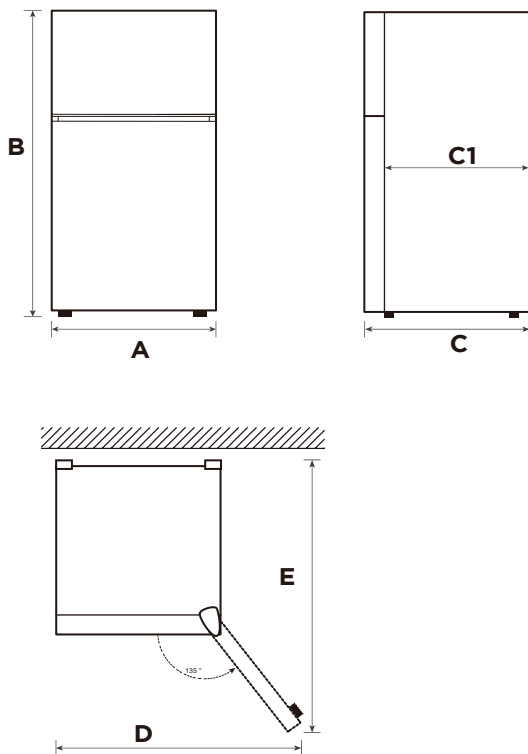
The refrigerator should always be plugged into its own individual electrical outlet which has a voltage rating that matches the rating plate.

Never unplug your refrigerator by pulling on the power cord. Always grip the plug firmly and pull straight out from the outlet.

Start to use

- The refrigerator shall stay for half an hour before connecting power when it is firstly started.
- The refrigerator shall run 2 to 3 hours before loading fresh or frozen foods; the refrigerator shall run for more than 4 hours in summer in advance considering that the ambient temperature is high.

Space requirement diagram (when the door is open and when the door is closed)



EN

Width	Overall Height	Depth	Depth Only Cabinet	Door Open 135° Width	Door Open 135° Depth
A	B	C	C1	D	E
755	1692	780	680	1276	1342

Notice: All dimensions in mm

Door right-left change

Based on the location where you plan to use your refrigerator, you may find it more convenient to reverse the position of the door.

CAUTION

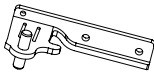
CAUTION: To avoid injury to yourself or your property, we recommend that someone assist you during the door reversal process.

Preparing to reverse the door position

You will need: A standard screwdriver, a Phillips screwdriver, and the included Allen wrench.

- Make sure that your refrigerator is unplugged and empty.
- Have someone available to assist you in the process.
- Keep all of the parts you remove to reuse them later.

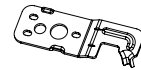
Parts included with the hinge kit:



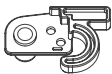
Center left hinge



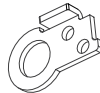
Left top hinge cover



Top left hinge



Left door self-closing



Upper door self-locking block



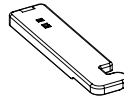
Hole caps (2)

EN

Parts already mounted on the door (as shipped):



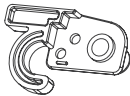
Center right hinge



Right top hinge cover



Top right hinge



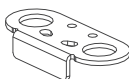
Right door self-closing



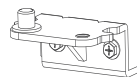
Upper door self-locking block



Hole caps(2)



Door block



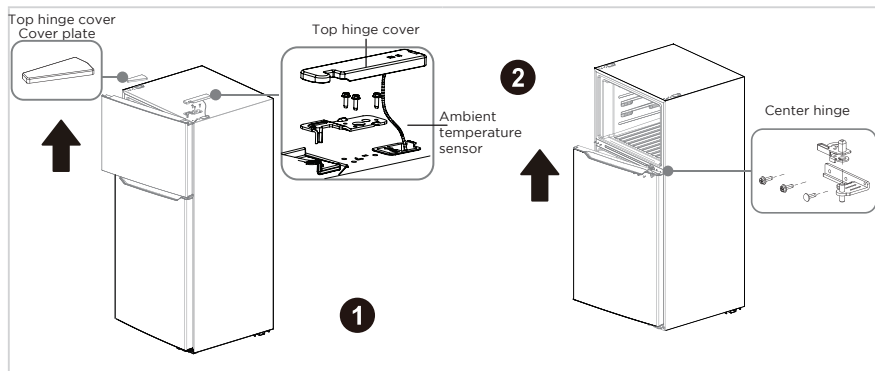
Bottom hinge



Lower door self-locking block

Step

1. Unplug your refrigerator and remove all food from the door shelves.
2. Remove the cover plate and the top hinge cover, then unscrew and remove the top hinge. Keep the screws to reuse.
3. When the user removes the top hinge cover, note that the hinge cover can not be directly removed, there is a sensor wiring harness connected to the box on the inside side of the hinge cover, it needs to be slowly dismantled, and then take out the sensor wiring harness from the inside side of the hinge cover, and attach the cover on finally.
4. Lift the freezer door up and away from your refrigerator.
5. Unscrew the three screws holding the center hinge, remove the hinge, then lift the refrigerator door up and away from your refrigerator. Save the screws to reuse and store the hinge in a safe place in case you need to reverse the door position again.



ATTENTION

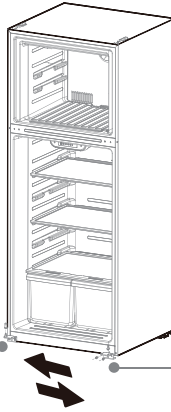
Images show a refrigerator that opens on the left side. Your refrigerator may open on the right side.

6. Remove the adjusting foot and screw installed on the bottom hinge before removing the bottom hinge.
7. Unscrew the three screws holding the bottom hinge, then remove the bottom hinge from the refrigerator.
8. Unscrew the hinge pin from the bottom hinge and reattach it to the other hole in the hinge pin, then secure the bottom hinge to the opposite side of the refrigerator using the screws you removed previously. Remove the hole caps and plastic bushings from the top of the freezer and refrigerator doors. Save them for the next step.

3

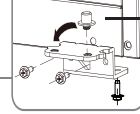
Reattach the bottom hinge

Hinge pin



Remove the bottom hinge

Hinge pin

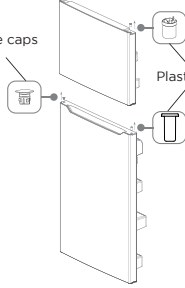


9. Insert the hole caps and plastic bushings into the opposite sides (from where you removed them) of the freezer and refrigerator doors.

4

Hole caps

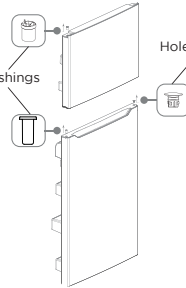
Plastic bushings



5

Plastic bushings

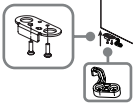
Hole caps



10. Remove the door block from the bottom of the refrigerator door and attach it to the other side.

11. Attach the upper door self-locking block and the door self-closing to the side of the freezer door where the hinge will be. Use the parts from the hinge kit.

6

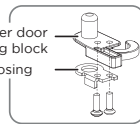


Door block

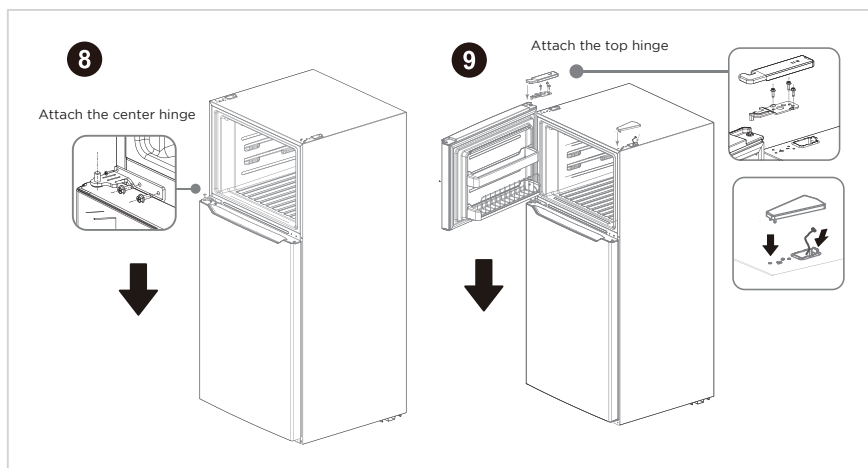
Lower door self-locking block

7

Upper door self-locking block
Door self-closing

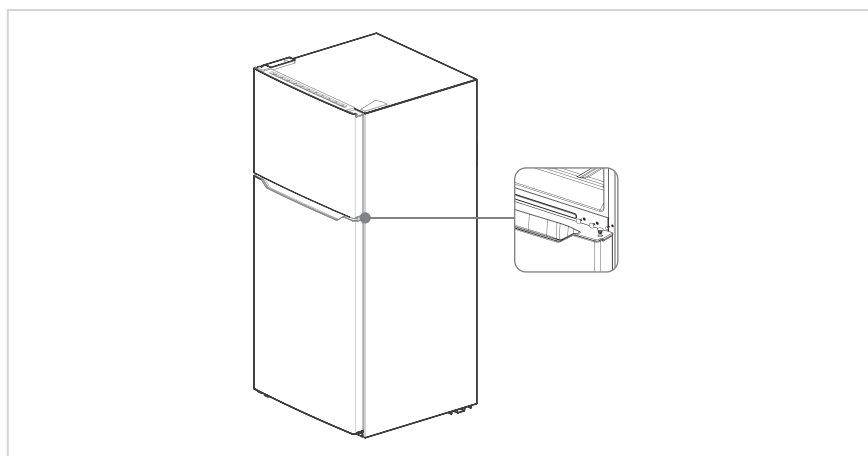


12. Remove the old upper door self-locking block and the door self-closing (do not remove the parts attached in step 10). Store in a safe place in case you need to reverse the door position again.
13. Attach the refrigerator door to the bottom hinge, then attach the center hinge to the refrigerator. Use the center hinge from the hinge kit (not the piece removed in step 4).
14. Put the freezer door onto the center hinge, then attach the top hinge (from the hinge kit) to the top of refrigerator. Cover the hinge with the top hinge cover (from the hinge kit) and cover the screw holes on the top with the cover plate you previously removed.



EN

15. Add covers to the screw holes and hinge pivot.





Leveling feet

To avoid vibration, the unit must be leveled.

If required, adjust the leveling screws to compensate for the uneven floor.

The front should be slightly higher than the rear to aid in door closing.

Leveling screws can be turned easily by tipping the cabinet slightly.

Turn the leveling screws counterclockwise  to raise the unit, clockwise  to lower it.

Moving the appliance

1. Remove all food from inside the appliance.
2. Pull the power plug out, insert and fix it into the power plug hook at the rear or on top of the appliance.
3. Tape parts such as shelves and the door handle to prevent from falling off while moving the appliance.
4. Move the appliance with more than two people carefully. When transporting the appliance over a long distance, keep the appliance upright.
5. After installing the appliance, connect the power plug into a socket outlet to switch on the appliance.

EN

ATTENTION

Precautions before operation:

Before making changes the refrigerator must be disconnected from power. precautions should be taken to prevent any personal injury.

Changing the light

- Any replacement or maintenance of the LED lamps is intended to be made by the manufacturer, its service agent or similar qualified person.

Connecting the appliance

After installing the appliance, connect the power plug into a socket outlet.

ATTENTION

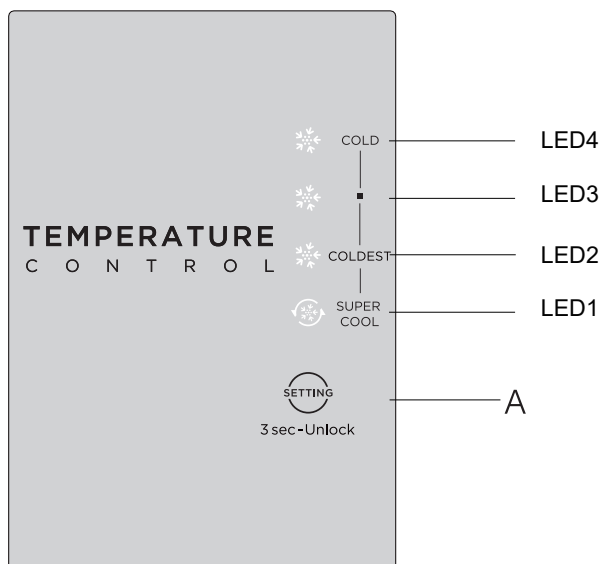
After connecting the power supply cord (or plug) to the outlet, wait 2 or 3 hours before you put food into the appliance. If you add food before the appliance has cooled completely, your food may spoil.

Tips for energy saving

- Do not place the appliance near cookers, radiators or other heat sources. If the ambient temperature is high, the compressor will run more frequently and for longer, resulting in increased energy consumption.
- Ensure that there is sufficient ventilation at the base of the appliance, on the sides of the appliance and at the back of the appliance. Never cover ventilation openings.
- Please also observe the spacing dimensions in the chapter “Installation”.
- The arrangement of drawers, shelves and racks as shown in the illustration offers the most efficient use of energy and should therefore be retained as far as possible. All drawers and shelves should remain in the appliance to keep the temperature stable and save energy.
- To obtain a larger storage space (e.g. for large refrigerated/frozen goods), the middle drawers can be removed. The top and bottom drawers and shelves should be removed last if necessary.
- An evenly filled refrigerator/freezer compartment contributes to optimal energy use. Therefore, avoid empty or half-empty compartments.
- Allow warm food to cool before placing it in the refrigerator/freezer. Food that has already cooled down increases energy efficiency.
- Allow frozen food to defrost in the refrigerator. The coldness of the frozen food reduces the energy consumption in the refrigerator compartment and thus increases the energy efficiency.
- Open the door only as briefly as necessary to minimise cold loss. Opening the door briefly and closing it properly reduces energy consumption.
- The door seals of your appliance must be perfectly intact so that the doors close properly and energy consumption is not increased unnecessarily.

OPERATION INSTRUCTIONS

Control Panel



EN

Key

A Setting Button

Display screen

LED4 COLD

LED3 ■

LED2 COLDEST

LED1 SUPER COOL

ATTENTION

The actual control panel may differ from model to model.

Operating instructions

Temperature setting

- Each time the temperature setting button A is pressed once, the temperature setting changes one time. After the temperature setting has been completed, the refrigerator will run according to the set value after 15s.
- When Super Cool mode is activated, the fridge will run at its maximum capacity to faster reach the coolest setting and lasting longest for 6 hours.

The shift regulation is:



Note: The temperature of each gear is within $\pm 2^{\circ}\text{C}$ of the set temperature, and the actual situation is slightly different according to the load situation.

Fault indication

- When electrify the refrigerator for first time, the display screen shines fully for 3 seconds, and then the refrigerator runs according to normal. In case of a failure, the corresponding LED blinks. In case of no failures, it shows the temperature setting of refrigerator.

Fault Code	Fault Description
LED1/LED2 flashing	Refrigerator temperature sensor faults
LED1/LED3 flashing	Freezing frost sensor faults
LED1/LED4 flashing	Ambient temperature sensor failure

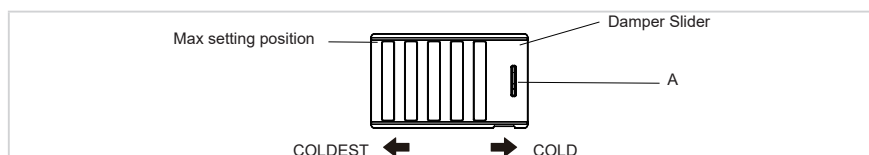
EN

Lock/Unlock

- When the temperature control panel is in lock state, it needs to long press temperature setting key for 3 seconds for unlocking the panel, all LEDs will blink for 2 seconds when panel is unlocked. When the temperature control panel is in unlock state, if there is no operation on control panel within 15 seconds, it will enter into lock state automatically.

Damper adjusting slider

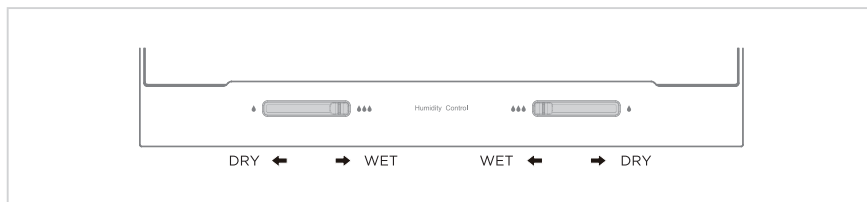
- The temperature inside the freezer can be adjusted by changing the position of the damper slider. The initial position of the damper slider is at position A. If lower temperature inside the freezer is required, you can adjust the damper slider from the position A to left side.



Note: For better use of the refrigerator, it is recommended to keep the damper slider at initial position. Shelf humidity control

Shelf humidity control

- The movement of the paddle to the middle is wet, and the movement of the paddle to both sides is dry.



Description of Ice Maker

Ice maker type:

- This refrigerator is compatible with Midea brand ice maker IM1900MD.

Ice maker installation:

- If the refrigerator can be installed with an ice maker, please refer to the ice maker installation instructions provided separately for the installation method of the ice maker. The ice maker is installed by the customer.

Tips on storing food

Freezer compartment

- The freezer is designated for the storage of food frozen at very low temperature, long-term storage of frozen food, and for the production of ice.
- Only use the shelves in the door of the freezer to store frozen food, not for storing hot food designated for freezing.
- Do not put fresh and frozen food next to each other. The frozen food may thaw.
- When freezing fresh food (such as meat, fish or chopped meat), cut them into parts that can be used at the same time.
- Storing frozen food: instructions are usually stated on the packages, which must be followed. If there is no information on the packaging, food should not be stored for longer than three months from the date of purchase.
- When purchasing frozen food, make sure that it was frozen at a suitable temperature and that the packaging is not damaged.
- Frozen food should be kept in suitable packages to retain the quality and should be returned to the freezer compartment as soon as possible.
- If a package of frozen food shows moisture or abnormal bulging, it is probable that it was stored at the wrong temperature and the content is spoiled.
- The storage period for frozen food depends on the room temperature, the thermostat setting, the frequency of opening the door of the freezer, the type of food and the time of transporting the product from the shop to the household. Always follow the instructions printed on the packaging and never exceed the maximum storage time stated on the package.

EN

Refrigerator compartment

- To reduce moisture and subsequent ice build-up, never put liquid into the refrigerator in unsealed containers. Frost tends to concentrate in the coolest parts of the evaporator. Storing uncovered liquids results in a more frequent need for defrosting.
- Never put warm foods in the refrigerator. These should first cooldown at room temperature and then be placed so as to ensure adequate air circulation in the refrigerator.
- Foods or food containers should not touch the back wall of the refrigerator because they could freeze to the wall. Do not keep regularly opening the door of the refrigerator.
- Meat and clean fish (packed in a package or plastic foil) can be placed in the refrigerator, which can be used in 1-2 days.
- Fruit and vegetables without packaging can be placed in the part designated for fresh fruit and vegetables.

ATTENTION

The optimal temperature setting of each compartment depends on the ambient temperature. Above optimal temperature is based on the ambient temperature of 25 °C. Storage of too much food during operation after the initial connection to power may adversely affect the freezing effect of the refrigerator. Foods stored shall not block the air outlet; or otherwise the freezing effect will also be adversely affected.

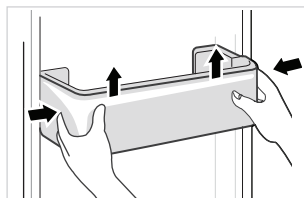
CLEANING AND MAINTENANCE

Defrosting

- The refrigerator is made based on the air-cooling principle and thus has automatic defrosting function. Frost formed due to change of season or temperature may also be manually removed by disconnection of the appliance from power supply or by wiping with a dry towel.

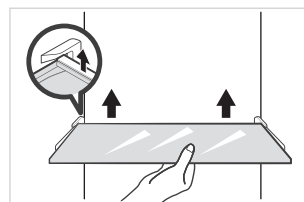
Cleaning of door tray

- According to the direction arrow in the figure below, use both hands to squeeze the tray, and push it upward, then you can take it out.
- After washing the tray having been taken out, you can adjust its installing height in accordance with your requirement.



Cleaning of glass shelf

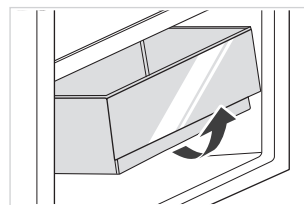
- As the innermost part of the refrigerator liner where contacting the shelves has a backstop, you shall raise the shelves upward, then you can be able to take it out.
- Adjust or clean the shelves according to your requirement.



EN

Cleaning the fruit and vegetable box

1. Remove the contents of the drawer. Hold the handle of the vegetable drawer and pull it out completely until it stops.
2. Lift the vegetable drawer up and remove it by pulling it out.



⚠ ATTENTION

Soft towels or sponge dipped in water and non-corrosive neutral detergents are suggested for cleaning. The freezer of shall be finally cleaned with clean water and dry cloth. Open the door for natural drying before the power is turned on. Do not use hard brushes, clean steel balls, wire brushes, abrasives, such as toothpastes, organic solvents (such as alcohol, acetone, banana oil, etc.), boiling water, acid or alkaline items clean refrigerator considering that this may damage the fridge surface and interior.

Stop using

Power failure:

In case of power failure, even if it is in summer, foods inside the appliance can be kept for several hours; during the power failure, the times of door opening shall be reduced, and no more fresh food shall be put into the appliance.

Long-time nonuse:

The appliance shall be unplugged and then cleaned; then the doors are left open to prevent odor.

Moving:

Before the refrigerator is moved, take all objects inside out, fix the glass partitions, vegetable holder, freezing chamber drawers and etc. with tape, and tighten the leveling feet; close the doors and seal them with tape. During moving, the appliance shall not be laid upside down or horizontally, or be vibrated; the inclination during movement shall be no more than 45°.

ATTENTION

The appliance shall run continuously once it is started. Generally, the operation of the appliance shall not be interrupted; otherwise the service life may be impaired. Foods can be preserved for a couple of hours even in summer in case of power failure; it is recommended to reduce the frequency of opening door.

EN

TROUBLESHOOTING

The following simple issues can be handled by the user. Please call the after-sale service department if the issues are not solved.

Problem	Possible reason
Failed operation	• Check whether the appliance is connected to power or whether the plug is in well contact
	• Check whether the voltage is too low
	• Check whether there is a power failure or partial circuits have tripped
Odor	• Odorous foods shall be tightly wrapped
	• Check whether there is any rotten food
	• Clean the inside of the refrigerator
Long-time operation of the compressor	• Long operation of the refrigerator is normal in summer
	• When the ambient temperature is high it is not suggestible having too much food in the appliance at the same time
	• Food shall get cool before being put into the appliance
	• The doors are opened too frequently
Light fails to get lit	• Check whether the refrigerator is connected to power supply and whether the illuminating light is damaged
	• Have the light replaced by a specialist
Door can not be properly closed	• The door is stuck by food packages
	• Too much food is placed
	• The refrigerator is tilted
Loud noises	• Check whether the floor is level and whether the refrigerator is placed stably
	• Check whether accessories are placed at proper locations

EN

Problem	Possible reason
Door seal fails to be tight	<ul style="list-style-type: none"> • Remove foreign matters on the door seal
	<ul style="list-style-type: none"> • Heat the door seal and then cool it for restoration (or blow it with an electrical drier or use a hot towel for heating)
Water pan overflows	<ul style="list-style-type: none"> • There is too much food in the chamber or food stored contains too much water,resulting in heavy defrosting
	<ul style="list-style-type: none"> • The doors are not closed properly, resulting in frosting due to entry of air and increased water due to defrosting
Hot housing	<ul style="list-style-type: none"> • Heat dissipation of the built-in condenser via the housing, which is normal when housing becomes hot due to high ambient temperature, storage of too much food or shutdown of the compressor is shut down, provide sound ventilation to facilitate heat dissipation
Surface condensation	<ul style="list-style-type: none"> • Condensation on the exterior surface and door seals of the refrigerator is normal when the ambient humidity is too high. Just wipe the condensate with a clean towel.
Abnormal noise	<ul style="list-style-type: none"> • Buzz: The compressor may produce buzzes during operation, and the buzzes are loud particularly upon start or stop. This is normal.
	<ul style="list-style-type: none"> • Creak: Refrigerant flowing inside of the appliance may produce creak, which is normal.

2 YEAR LIMITED WARRANTY

This warranty is provided to the original purchaser at retail (the “Purchaser” or “you”) by Midea America Corp. (“Midea” or “we”), which warrants all parts of this Product, as described below. Midea warrants this Product to the Purchaser for personal, family or household use. This warranty covers performance and quality issues in materials and workmanship that appear under normal use and maintenance appearing within two years from the date of delivery. This warranty gives you specific rights, and you may also have other rights that vary from state to state.

WARRANTY LIMITATIONS

This warranty is given only to the original purchaser at retail in either the United States or Canada and may not be transferred to any subsequent buyer. This warranty does not apply to purchasers of our products for use or resale in a business; a separate commercial warranty may protect those purchasers.

This warranty does not cover any Product failure caused by:

- (a) Abuse, damage or use of the Product in violation of the Product instructions.
- (b) Modification to any Product or part.
- (c) Failure to maintain the Product or part as described in accordance with the Product instructions.
- (d) Faulty installation or application.
- (e) Use of parts or accessories not compatible with this Product.
- (f) Floods, fires, winds, lightning, accidents, corrosive atmosphere, or other conditions beyond Midea’s control.
- (g) Interruption in electrical service or inadequate electrical service.
- (h) Replacement of fuses and replacement or resetting of circuit breakers.
- (i) Frozen or broken water pipes, water damage, moisture intrusion, mold or other biological growth.
- (j) The use, combination or linking of the Product to other products, processes or materials not provided by Midea.

WARRANTY REMEDY

If any quality or performance issue covered by this warranty is discovered during the warranty period, we will, at our option, repair or replace any such Product. This warranty is limited to Product repair or replacement by an authorized Midea servicer or dealer and does not cover any shipping cost, labor cost, customs duties, inland logistics cost, or cost of service, including any diagnostics, removal, transportation, or reinstallation costs. If we ask, you must return the Product to us.

WARRANTY DISCLAIMER; EXCLUSION OF DAMAGES

This is the only express warranty to consumers that we offer on our Products. **ANY IMPLIED WARRANTIES BY MIDEA, INCLUDING BUT NOT LIMITED TO WARRANTIES OF MERCHANTABILITY AND FITNESS FOR PARTICULAR PURPOSE, ARE LIMITED TO THE DURATION OF THIS EXPRESS WARRANTY.** Some states and provinces do not allow the exclusion of express warranties and/or limitations on how long an implied warranty lasts, so the above exclusion and/or limitation may not apply to you.

THE REMEDY DESCRIBED ABOVE IS THE ONLY ONE THAT WE WILL PROVIDE, EITHER UNDER THIS WARRANTY OR UNDER ANY WARRANTY ARISING BY OPERATION OF LAW. WE WILL NOT BE RESPONSIBLE FOR ANY CONSEQUENTIAL OR INCIDENTAL DAMAGES ARISING FROM THE BREACH OF THIS WARRANTY OR ANY OTHER WARRANTY, WHETHER EXPRESS OR IMPLIED, NEGLIGENCE OR OTHER TORT, OR ON ANY STRICT LIABILITY THEORY, INCLUDING BUT NOT



LIMITED TO LOST PROFITS. Some states do not allow the exclusion or limitation of incidental or consequential damages, so the above exclusion may not apply to you.

WARRANTY CLAIMS PROCESS

For more information or to make a warranty claim, please visit:

<https://www.midea.com/us/support>

Or contact us at:

Telephone: 1-866-646-4332

Email: customerserviceusa@midea.com

You must have Your bill of sale, delivery slip, or appropriate proof of purchase to submit a warranty claim. The date of delivery establishes the warranty period, should service be required.

DISPUTE RESOLUTION

ARBITRATION CLAUSE. IMPORTANT. PLEASE REVIEW THIS ARBITRATION CLAUSE. IT AFFECTS YOUR LEGAL RIGHTS.

- (a) *Parties*: This arbitration clause (this “Arbitration Clause”) affects your rights against Midea and any of its affiliates or employees or agents, successors, or assigns, all of whom together are referred to below as “we” or “us” for ease of reference.
- (b) **ARBITRATION REQUIREMENT: EXCEPT AS STATED BELOW, ANY DISPUTE BETWEEN YOU AND ANY OF US SHALL BE DECIDED BY NEUTRAL, BINDING ARBITRATION RATHER THAN IN COURT OR BY JURY TRIAL.** “Dispute” will be given the broadest possible meaning allowable by law. It includes any dispute, claim, or controversy arising from or relating to your purchase of this Product, any warranty upon the Product, or the Product’s condition. It also includes determination of the scope or applicability of this Arbitration Clause. The arbitration requirement applies to claims in contract and tort, pursuant to statute, or otherwise.
- (c) **CLASS-ARBITRATION WAIVER: ARBITRATION IS HANDLED ON AN INDIVIDUAL BASIS. IF A DISPUTE IS ARBITRATED, YOU AND WE EXPRESSLY WAIVE ANY RIGHT TO PARTICIPATE AS A CLASS REPRESENTATIVE OR CLASS MEMBER ON ANY CLASS CLAIM YOU MAY HAVE AGAINST US OR WE AGAINST YOU, OR AS A PRIVATE ATTORNEY GENERAL OR IN ANY OTHER REPRESENTATIVE CAPACITY, TO THE MAXIMUM EXTENT PERMITTED BY LAW. YOU AND WE ALSO WAIVE ANY RIGHT TO CLASS ARBITRATION OR ANY CONSOLIDATION OF INDIVIDUAL ARBITRATIONS.**
- (d) *Discovery and Other Rights*: Discovery and rights to appeal in arbitration are generally more limited than in a lawsuit. This applies to both you and us. Other rights that you or we would have in court may not be available in arbitration. Please read this Arbitration Clause and consult the rules of the arbitration organizations listed below for more information.
- (e) **SMALL CLAIMS COURT OPTION: YOU MAY CHOOSE TO LITIGATE ANY DISPUTE BETWEEN YOU AND ANY OF US IN SMALL CLAIMS COURT, RATHER THAN IN ARBITRATION, IF THE DISPUTE MEETS ALL REQUIREMENTS TO BE HEARD IN SMALL CLAIMS COURT.**
- (f) *Governing Law*: For residents of the United States, the procedures and effect of the arbitration will be governed by the Federal Arbitration Act (9 U.S.C. § 1 et seq.) rather than by state law concerning arbitration. For residents of Canada, the procedures and effect of the arbitration will be governed by the applicable arbitration law of the province in which you purchased your Product. The law governing your substantive warranty rights and other claims will be the law of the state or province in which you purchased your Product. Any court having jurisdiction may enter judgment on the arbitration award.

- (g) *Rules of the Arbitration:* If the amount in controversy is less than \$250,000, the arbitration will be decided by a single arbitrator. If the amount in controversy is greater than or equal to \$250,000, the arbitration will be decided by a panel of three arbitrators. The arbitrator(s) will be chosen pursuant to the rules of the administering arbitration organization. United States residents may choose JAMS (1920 Main Street, Ste. 300, Irvine, CA 92614, www.jamsadr.com), or, subject to our approval, any other arbitration organization. In addition, Canadian residents may choose the ADR Institute of Canada (234 Eglinton Ave. East, Suite 405, Toronto, Ontario, M4P 1K5, www.amic.org). These organizations' rules can be obtained by contacting the organization or visiting its website. If the chosen arbitration organization's rules conflict with this Arbitration Clause, the provisions of this Arbitration Clause control. The award of the arbitrator(s) shall be final and binding on all parties.
- (h) *Location of the Arbitration Hearing:* Unless applicable law provides otherwise, the arbitration hearing for United States residents will be conducted in the federal judicial district in which you reside (in your hometown area) or, for Canadian residents, in the province in which you reside, and, if you choose, will be in-person.
- (i) *Costs of the Arbitration:* Each party is responsible for its own attorney, expert, and other costs and fees unless applicable law requires otherwise. Notwithstanding the preceding sentence, and unless applicable law requires otherwise, if you are a consumer under the JAMS rules or the rules of another agreed upon arbitration administrator, Midea will pay or reimburse you for all reasonable fees or costs to the extent required by law or the applicable arbitration administrator's rules. Whether or not required by law or such rules, if you prevail at arbitration on any claim against Midea, Midea will reimburse you for any reasonable fees paid to the arbitration administrator in connection with the arbitration proceedings. Under no circumstances will Midea seek from you payment or reimbursement of any reasonable fees that Midea incurs in connection with the arbitration. If you are required to advance any fees or costs to JAMS or other agreed upon arbitration administrator, but you ask Midea to do so in your stead, Midea will consider and respond to your request.
- (j) *Survival and Enforceability of this Arbitration Clause:* This Arbitration Clause shall survive the expiration or termination, or any transfer, of the warranty on your Product. If any part of this Arbitration Clause, except waivers of class-action rights, is found to be unenforceable for any reason, the remainder of this clause and the warranty shall remain enforceable. If, in a case in which class-action allegations have been made, the waiver of class-action rights under this warranty is found to be unenforceable with respect to any part of the dispute, the parts of the dispute as to which the waiver of class-action rights have been found unenforceable will be severed and will proceed in court without reference or application of this Arbitration Clause. Any remaining parts will proceed in arbitration.

QUEBEC RESIDENTS

The arbitration provisions of this warranty shall not apply to residents of Quebec.

LETTRE DE REMERCIEMENT

Nous vous remercions d'avoir choisi Midea ! Avant d'utiliser votre nouveau produit Midea, veuillez lire attentivement ce manuel afin de vous assurer que vous maîtrisez les caractéristiques et les fonctions de votre nouvel appareil en toute sécurité.

TABLE DES MATIÈRES

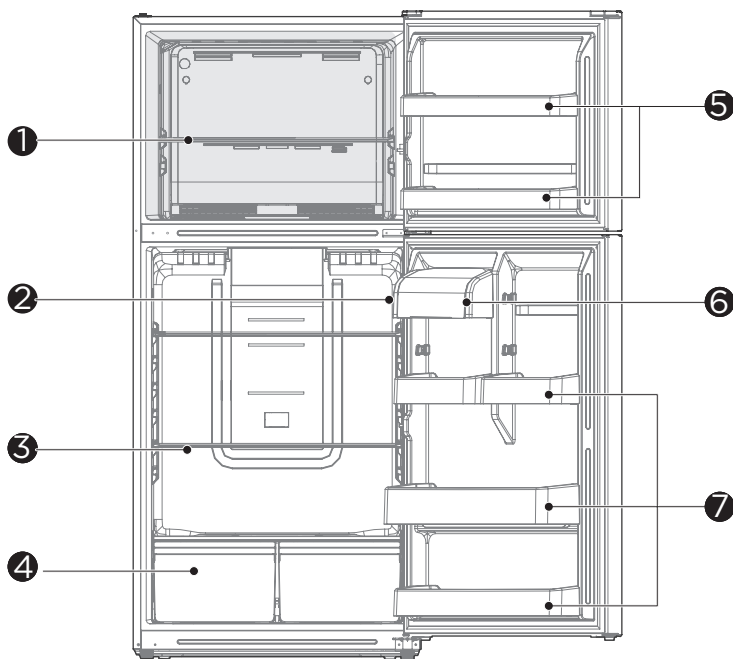
LETTRE DE REMERCIEMENT	01
SPÉCIFICATIONS	02
PRÉSENTATION DU PRODUIT	03
INSTALLATION DU PRODUIT	04
GUIDE D'UTILISATION	12
NETTOYAGE ET ENTRETIEN	16
DÉPANNAGE	18

SPÉCIFICATIONS

Modèle du produit	MRT18D2B**/MRT18D3B**
Volume total de stockage	512 l
Tension nominale	115 V-/60 Hz
Courant nominal	1,2 A
Dimensions globales (H × L × P)	169,2 cm x 75,5 cm x 78,0 cm

PRÉSENTATION DU PRODUIT

Noms des composants



- | | | | |
|---|------------------------------------|---|------------------------------------|
| 1 | Étagère en verre du congélateur | 5 | Plateaux de porte du congélateur |
| 2 | Contrôle de l'affichage | 6 | Compartiment à produits laitiers |
| 3 | Étagères en verre du réfrigérateur | 7 | Plateaux de porte du réfrigérateur |
| 4 | Bac à fruits et légumes | | |

ATTENTION

L'image ci-dessus est donnée uniquement à titre de référence. La configuration réelle dépend du produit physique ou de la notice du distributeur.

Lorsque le réfrigérateur est allumé pour la première fois, le fait d'y conserver une trop grande quantité d'aliments peut nuire à son effet de refroidissement.

Ne bloquez pas la sortie d'air lorsque vous conservez des aliments, car cela pourrait nuire à l'effet de refroidissement.

Si la température dans le compartiment réfrigérateur est froide, réglez le sélecteur sur la position la plus faible. Si la température dans le compartiment réfrigérateur n'est pas assez froide, réglez l'interrupteur sur la position la plus élevée.

FR

INSTALLATION DU PRODUIT

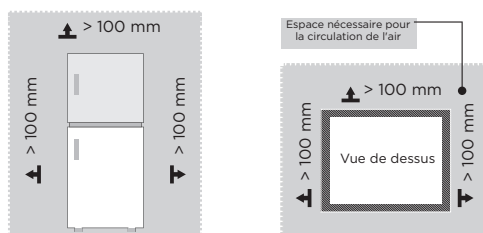
Instructions d'installation

Trouver un emplacement approprié

- Ce réfrigérateur est conçu pour être posé debout et ne doit pas être encastré.
- Le congélateur doit être placé à l'intérieur dans un endroit bien ventilé ; le sol doit être plat et solide.
- Tenez à l'écart de la chaleur et évitez la lumière directe du soleil. Ne placez pas le congélateur dans des endroits humides ou aqueux pour éviter la rouille ou la réduction de l'isolation.

Dimensions et dégagements

- Une distance trop petite des éléments adjacents peut entraîner une dégradation de la capacité de congélation et une augmentation des coûts d'électricité. Laissez plus de 100 mm de dégagement à partir de chaque mur adjacent lors de l'installation de l'appareil.



FR

Assurer une alimentation électrique adéquate

- Vérifiez votre source d'alimentation locale. Ce réfrigérateur nécessite une alimentation électrique de **115 VCA, 60 Hz**.
- Utilisez une prise qui accepte la broche de mise à la terre. Le cordon d'alimentation est équipé d'une fiche à trois broches (mise à la terre) qui s'adapte à une prise murale standard à trois broches (mise à la terre) afin de minimiser les risques d'électrocution liés à ce réfrigérateur.



MISE EN GARDE

Le réfrigérateur doit toujours être branché sur une prise électrique individuelle dont la tension correspond à celle indiquée sur la plaque signalétique.

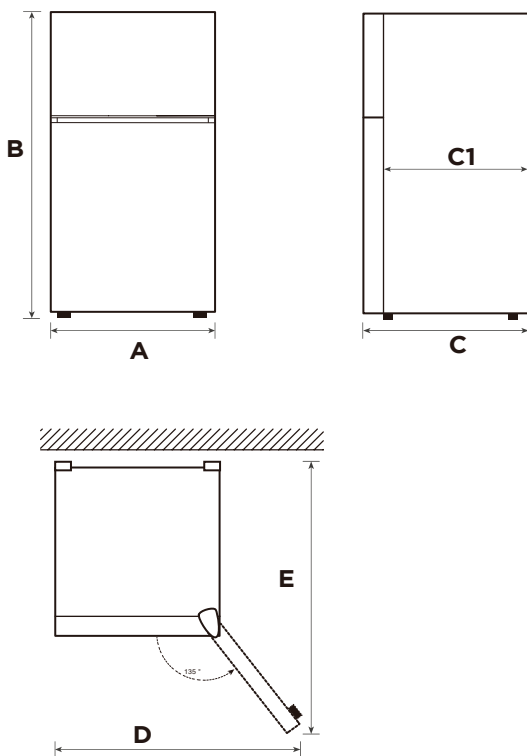
Ne débranchez jamais votre réfrigérateur en tirant sur le cordon d'alimentation.

Saisissez toujours fermement la fiche et retirez-la directement de la prise.

Première utilisation

- Avant la première utilisation, le congélateur doit rester debout pendant une demi-heure avant de brancher l'alimentation.
- Le congélateur doit fonctionner 2 à 3 heures avant de charger des aliments frais ou surgelés ; il doit fonctionner pendant plus de 4 heures en été, étant donné que la température ambiante est élevée.

Diagramme d'encombrement (porte ouverte et fermée)



FR

Largeur	Hauteur totale	Profondeur	Profondeur de l'armoire uniquement	Largeur avec la porte ouverte à 135°	Profondeur avec la porte ouverte à 135°
A	B	C	C1	D	E
755	1692	780	680	1276	1342

Remarque : Toutes les dimensions sont en mm

Inverser l'ouverture de la porte

Selon l'endroit où vous prévoyez d'utiliser votre réfrigérateur, vous trouverez peut-être une inversion de la position de la porte plus pratique.



MISE EN GARDE

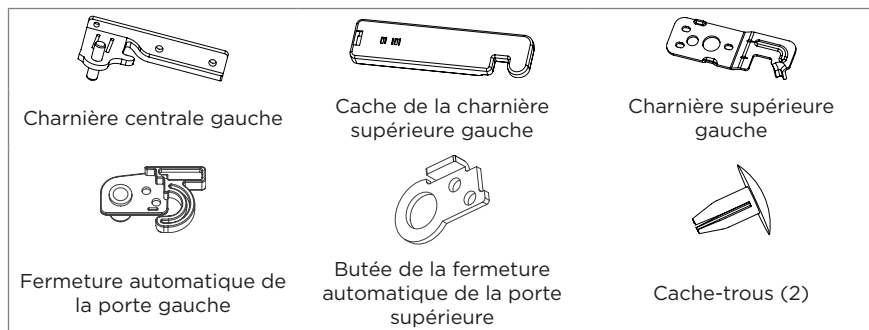
MISE EN GARDE : Pour éviter toute blessure, il est recommandé que quelqu'un vous assiste pendant l'inversion de la porte.

Préparation pour inverser l'ouverture de la porte

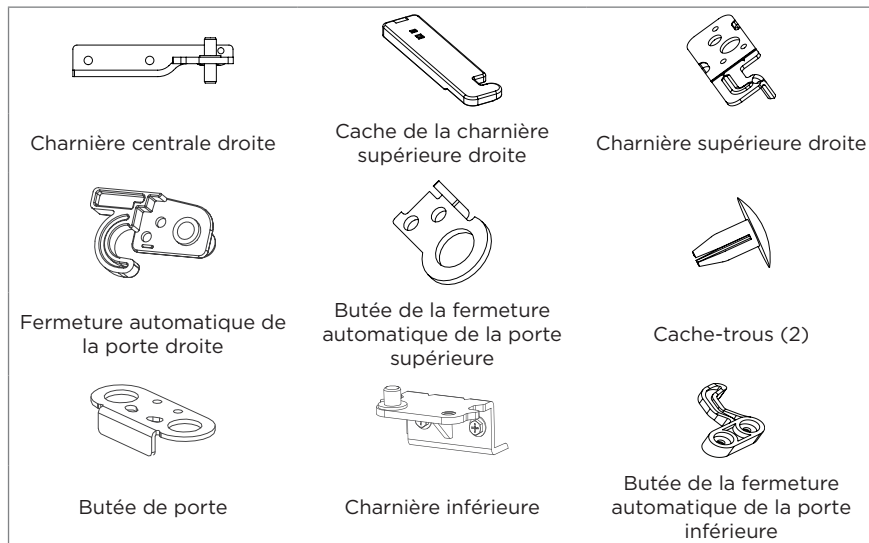
Vous aurez besoin de : Un tournevis standard, un tournevis cruciforme et la clé Allen incluse.

- Assurez-vous que votre réfrigérateur est débranché et vide.
- Faites-vous aider par une tierce personne pour cette procédure.
- Conservez toutes les pièces que vous retirez pour les réutiliser plus tard.

Pièces incluses dans le kit de poignée :

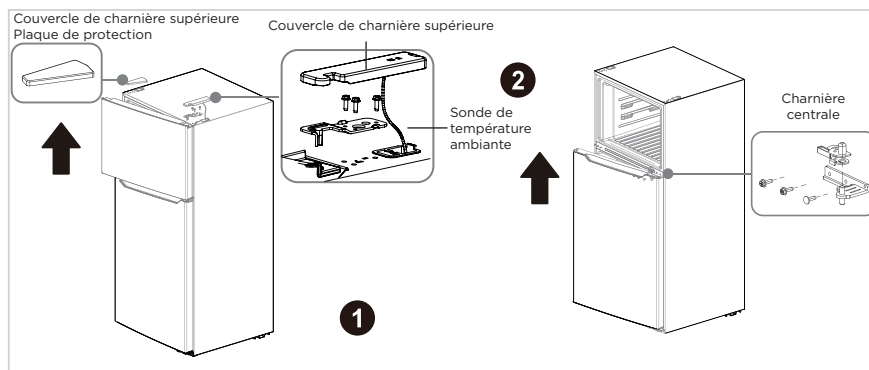


Pièces déjà montées sur la porte (telle qu'elle est expédiée) :



Étape

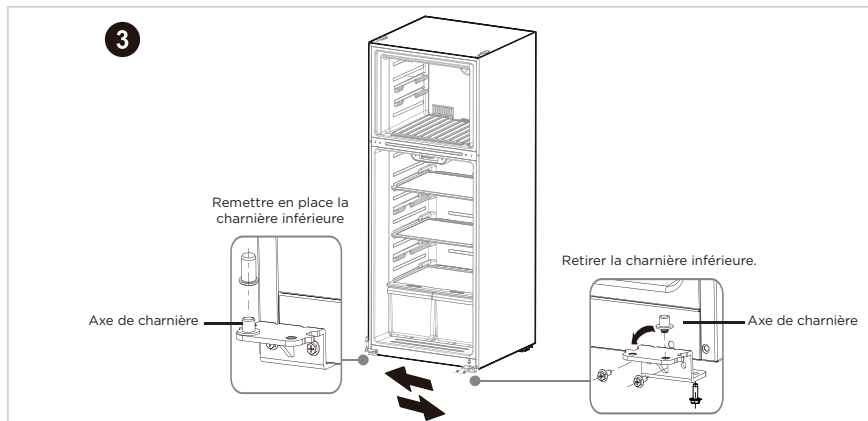
1. Débranchez votre réfrigérateur et retirez tous les aliments des étagères de la porte.
2. Retirez la plaque de protection et le cache de la charnière supérieure, puis dévissez et retirez la charnière supérieure. Gardez les vis pour les réutiliser.
3. Lorsque l'utilisateur retire le cache de la charnière supérieure, notez que celui-ci ne peut pas être retiré directement, car un faisceau de câbles de capteurs est connecté au boîtier sur le côté intérieur du cache de la charnière ; il faut le démonter lentement, puis retirer le faisceau de câbles de sondes du côté intérieur du cache de la charnière, et enfin remettre le cache en place.
4. Soulevez la porte du congélateur et éloignez-la de votre réfrigérateur.
5. Dévissez les trois vis qui maintiennent la charnière centrale, retirez-la, puis soulevez la porte du réfrigérateur et éloignez-la de votre réfrigérateur. Conservez les vis pour les réutiliser et stockez la charnière dans un endroit sûr au cas où vous devriez à nouveau inverser la position de la porte.



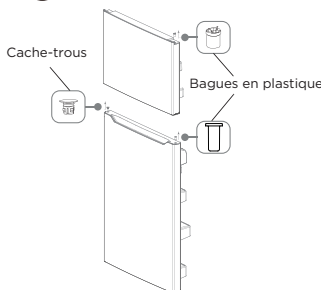
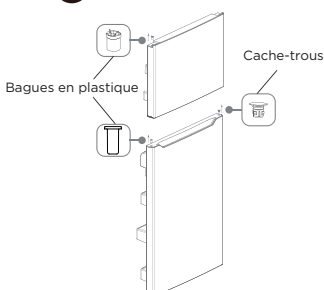
ATTENTION

Les images montrent un réfrigérateur qui s'ouvre sur le côté gauche. Votre réfrigérateur peut s'ouvrir sur le côté droit.

6. Retirez le pied de réglage et la vis installés sur la charnière inférieure avant d'enlever la charnière inférieure.
7. Dévissez les trois vis qui maintiennent la charnière inférieure, puis retirez-la du réfrigérateur.
8. Dévissez l'axe de charnière de la charnière inférieure et fixez-le à l'autre trou de l'axe de charnière, puis fixez la charnière inférieure au côté opposé du réfrigérateur à l'aide des vis que vous avez retirées précédemment. Retirez les cache-trous et les bagues en plastique du haut des portes du congélateur et du réfrigérateur. Gardez-les pour l'étape suivante.

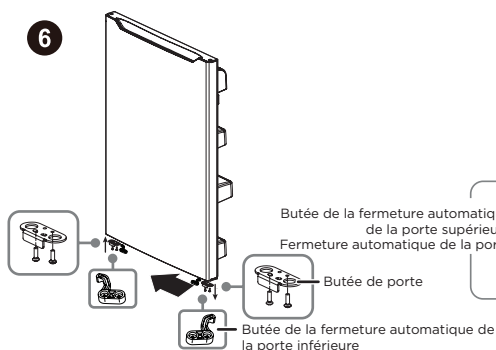
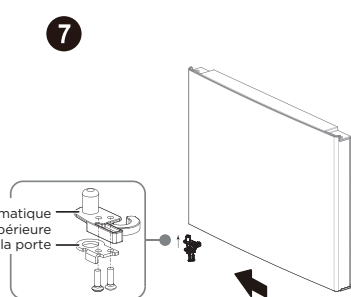
3

9. Insérez les cache-trous et les bagues en plastique dans les côtés opposés (par rapport à l'endroit où vous les avez retirés) des portes du congélateur et du réfrigérateur.

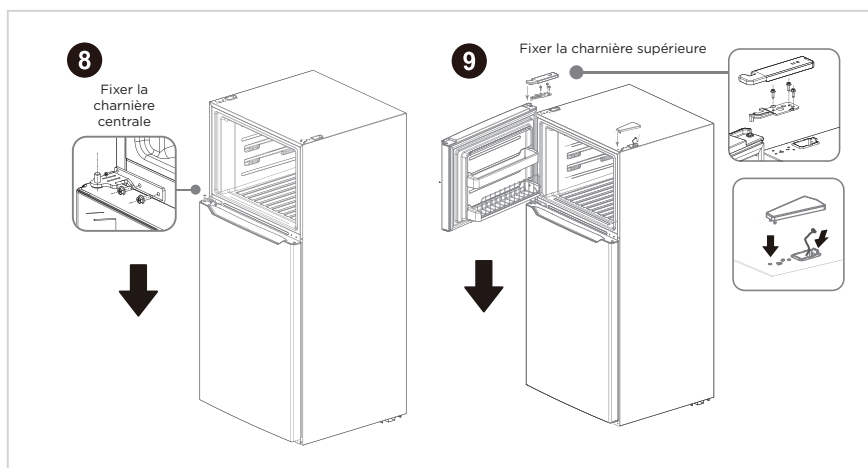
4**5**

10. Retirez la butée du bas de la porte du réfrigérateur et fixez-la de l'autre côté.

11. Fixez la butée de la fermeture automatique de la porte supérieure et la fermeture automatique de la porte sur le côté de la porte du congélateur, à l'endroit où se trouvera la charnière. Utilisez les pièces du kit de charnières.

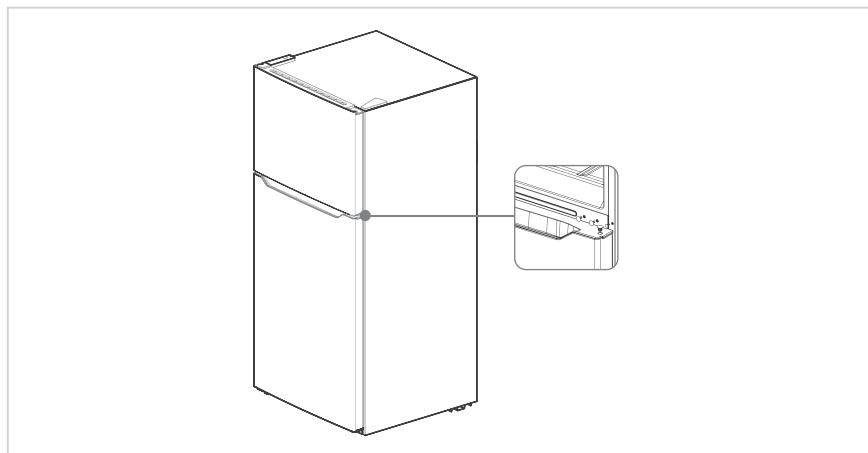
6**7**

12. Retirez l'ancienne butée de la fermeture automatique de la porte supérieure et la fermeture automatique de la porte (ne retirez pas les pièces fixées à l'étape 10). Conservez-la dans un endroit sûr au cas où vous auriez besoin d'inverser à nouveau la position de la porte.
13. Fixez la porte du réfrigérateur à la charnière inférieure, puis fixez la charnière centrale au réfrigérateur. Utilisez la charnière centrale du kit de charnières (et non la pièce retirée à l'étape 4).
14. Placez la porte du congélateur sur la charnière centrale, puis fixez la charnière supérieure (du kit de charnières) sur le haut du réfrigérateur. Couvrez la charnière avec le couvercle de la charnière supérieure (provenant du kit de charnière) et couvrez les trous de vis sur le dessus avec la plaque de protection que vous avez enlevée précédemment.



FR

15. Ajoutez des caches sur les trous de vis et le pivot de la charnière.





Pieds réglables

L'appareil doit être à niveau pour éviter toute vibration.

Il faut tenir compte de l'uniformité du sol dans la mise à niveau.

L'avant de la porte doit être légèrement plus haut que l'arrière pour faciliter sa fermeture.

Les vis de mise à niveau peuvent être facilement tournées en inclinant légèrement l'appareil.

Tournez les vis de mise à niveau dans le sens antihoraire  pour soulever l'appareil, dans le sens horaire  pour l'abaisser.

Déplacement de l'appareil

1. Retirez tous les aliments de l'appareil.
2. Débranchez la fiche d'alimentation, et la fixer au crochet de prise située à l'arrière ou la placer au-dessus de l'appareil.
3. Collez les pièces telles que étagères et poignée de porte pour éviter qu'elles ne tombent lors du déplacement de l'appareil.
4. Avec précaution, déplacez l'appareil à l'aide de deux personnes au moins. Lors du transport sur une longue distance, l'appareil doit être maintenu en position verticale.
5. Après l'installation de l'appareil, branchez la fiche d'alimentation dans une prise de courant pour l'allumer.

ATTENTION

Précautions avant l'utilisation :

Avant d'effectuer tout changement, vous devez débrancher le réfrigérateur de l'alimentation. Des précautions doivent être prises pour éviter toute blessure.

Changement de l'ampoule

- Tout remplacement ou entretien des lampes LED doit être effectué par le fabricant, un agent agréé ou une personne qualifiée similaire.

Branchement de l'appareil

Après l'installation de l'appareil, branchez la fiche d'alimentation dans une prise de courant.

ATTENTION

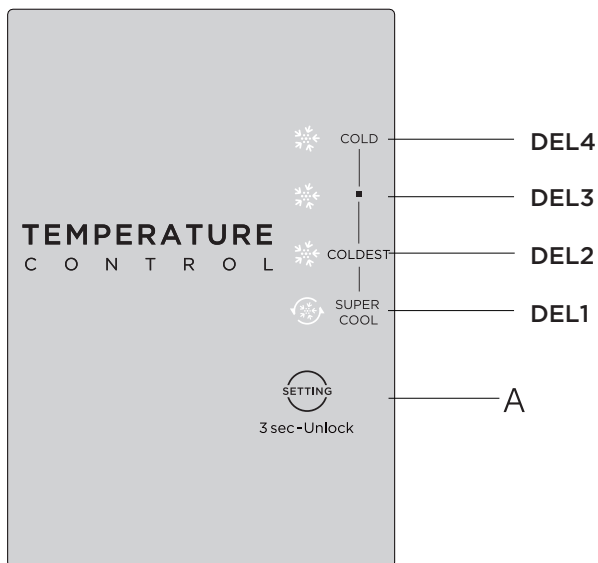
Après avoir branché la fiche d'alimentation dans une prise, il faut attendre 2 à 3 heures avant de mettre des aliments dans l'appareil. Les aliments risquent de s'abîmer si vous les mettez avant le refroidissement de l'appareil.

Conseils pour l'économie d'énergie

- L'appareil ne doit pas être placé à côté de cuisinières, radiateurs ou toute autre source de chaleur. Si la température ambiante est élevée, le compresseur fonctionne plus fréquemment et plus longtemps, ce qui entraîne une augmentation de la consommation d'énergie.
- Assurez-vous qu'il y a une ventilation suffisante au niveau de la base, sur les côtés et à l'arrière de l'appareil. Il ne faut jamais couvrir les fentes de ventilation.
- Il faut également respecter les dégagements du chapitre « Installation ».
- La disposition des bacs, étagères et balconnets de porte comme indiqué sur l'illustration offre une utilisation plus efficace de l'énergie et doit donc être conservée autant que possible. Tous les bacs et étagères doivent rester dans l'appareil pour maintenir une température stable et économiser de l'énergie.
- Pour obtenir un plus grand espace de stockage (par exemple pour les gros produits réfrigérés/congelés), les bacs du milieu peuvent être retirés. Les bacs supérieurs et inférieurs et les étagères doivent être retirés en dernier si nécessaire.
- Un compartiment réfrigérateur/congélateur rempli uniformément contribue à une utilisation optimale de l'énergie. Ainsi, il faut éviter les compartiments vides ou à moitié vides.
- Laissez refroidir les aliments chauds avant de les mettre dans le réfrigérateur/congélateur. Les aliments déjà augmentent l'efficacité énergétique.
- Les aliments congelés doivent être décongelés dans le réfrigérateur. La froideur des aliments congelés réduit la consommation d'énergie dans le réfrigérateur et augmente ainsi l'efficacité énergétique.
- Ouvrez la porte aussi brièvement que nécessaire pour minimiser toute perte de froid. L'ouverture/fermeture de la porte brièvement réduit la consommation d'énergie.
- Les joints de porte de l'appareil doivent être parfaitement intacts pour faciliter la fermeture des portes et éviter que la consommation d'énergie ne soit pas augmentée inutilement.

GUIDE D'UTILISATION

Panneau de commande



FR

Touche

A Bouton de réglage

Écran

DEL4 COLD

DEL3 ■

DEL2 COLDEST

DEL1 SUPER
COOL

ATTENTION

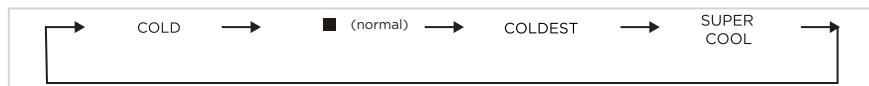
Le panneau de commande réel peut être différent d'un modèle à l'autre.

Mode d'emploi

Réglage de la température

- Chaque fois que vous appuyez sur le bouton de réglage de la température A, la température change. Une fois le réglage de la température terminé, le réfrigérateur se met en marche selon la valeur réglée après 15 secondes.
- Lorsque le mode Super Cool est activé, le réfrigérateur fonctionne à sa capacité maximale pour atteindre plus rapidement le réglage le plus froid et durer au plus 6 heures.

Séquence du réglage :



Remarque : La température de chaque position se situe à $\pm 2^\circ$ de la température de consigne, et la situation réelle est légèrement différente en fonction de la charge.

Indication de panne

- Lorsque vous mettez le réfrigérateur sous tension pour la première fois, l'écran d'affichage s'allume complètement pendant 3 secondes, puis le réfrigérateur fonctionne normalement. En cas de panne, le voyant LED correspondant clignote. Autrement, il indique le réglage de température du réfrigérateur.

Code d'erreur	Description du défaut
Clignotement de la DEL1/DEL2	Défaut de la sonde de température du réfrigérateur
Clignotement de la DEL1/DEL3	Défauts de la sonde de givre
Clignotement de la DEL1/DEL4	Défaillance de la sonde de température ambiante

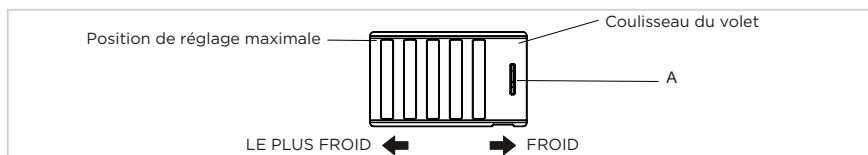
FR

Verrouiller/Déverrouiller

- Lorsque le panneau de commande de la température est verrouillé, maintenez appuyé le bouton de réglage de la température pendant 3 secondes pour le déverrouiller, toutes les LED se mettent à clignoter pendant 2 secondes lorsqu'il est déverrouillé. Lorsque le panneau de commande de température est déverrouillé, si aucune opération ne se produit dans les 15 secondes, il se verrouille automatiquement.

Coulisseau de réglage du volet

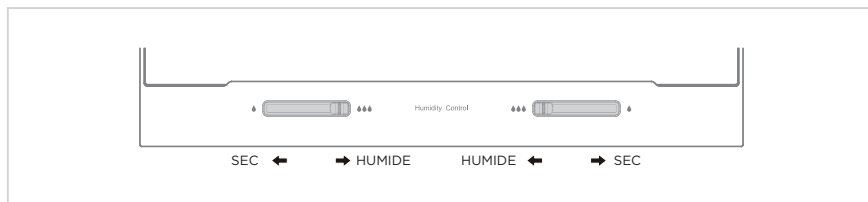
- La température à l'intérieur du congélateur peut être réglée en modifiant la position du curseur. La position initiale du curseur est la position A. Si vous souhaitez réduire la température à l'intérieur du congélateur, vous pouvez déplacer le curseur de la position A vers la gauche.



Remarque : Pour une meilleure utilisation du réfrigérateur, il est recommandé de maintenir le curseur sur sa position initiale.

Contrôle de l'humidité des étagères

- Le positionnement de la réglette vers le milieu correspond à humide, et son positionnement à gauche et à droite correspond à sec.



Description de la machine à glaçons

Type de machine à glaçons :

- Ce réfrigérateur est compatible avec la machine à glaçons IM1900MD de la marque Midea.

Installation d'une machine à glaçons :

- Si le réfrigérateur peut être installé avec une machine à glaçons, veuillez vous référer aux instructions d'installation de la machine à glaçons fournies séparément pour connaître la méthode d'installation de la machine à glaçons.

Conseils pour la conservation des aliments

Compartiment du congélateur

- Le congélateur est destiné au stockage d'aliments à long terme congelés à très basse température, et à la production de glace.
- N'utilisez les balconnets de porte du congélateur que pour stocker des aliments congelés, et non pour des aliments chauds destinés à être congelés.
- Ne mettez pas les aliments frais et congelés les uns à côté des autres. Les aliments congelés peuvent fondre.
- Lorsque vous congelez des aliments frais (viande, poisson ou viande hachée), il faut les couper en morceaux pouvant être utilisés en même temps.
- Conservation des aliments congelés : des instructions sont généralement indiquées sur les emballages, qui doivent être respectées. S'il n'y a aucune information sur l'emballage, les aliments ne doivent pas être conservés plus de trois mois à compter de la date d'achat.
- Lors de l'achat d'aliments congelés, il faut s'assurer qu'ils ont été congelés à une température appropriée et que l'emballage n'est pas endommagé.
- Les aliments congelés doivent être conservés dans des emballages appropriés pour en conserver la qualité et doivent être remis dans le compartiment congélateur dès que possible.
- Si un emballage d'aliments congelés présente de l'humidité ou un renflement anormal, il est probable qu'il ait été conservé à la mauvaise température et que le contenu soit abîmé.
- La durée de conservation des aliments congelés dépend de la température ambiante, du réglage du thermostat, de la fréquence d'ouverture de la porte du congélateur, du type d'aliment et du temps de transport du magasin jusqu'à chez vous. Suivez toujours les instructions de l'emballage et ne dépassez jamais la durée de stockage maximale indiquée.

Compartiment réfrigérateur

- Pour réduire l'humidité et l'accumulation de glace qui en résulte, ne mettez jamais de liquide dans le réfrigérateur dans des récipients non fermés hermétiquement. La gelée a tendance à se concentrer dans les parties les plus froides de l'évaporateur. Le stockage de liquides non couverts entraîne une décongélation plus fréquente.
- Ne mettez jamais d'aliments chauds dans le réfrigérateur. Ceux-ci doivent d'abord être refroidis à température ambiante, puis placés de manière à assurer une circulation d'air adéquate dans le réfrigérateur.
- Les aliments et les récipients ne doivent pas toucher la paroi arrière du réfrigérateur car ils pourraient congeler. Il ne faut pas ouvrir régulièrement la porte du réfrigérateur.
- La viande et le poisson écaillé (placés dans un emballage ou une feuille de plastique) placés au réfrigérateur peuvent être utilisés dans 1 ou 2 jours.
- Les fruits et légumes sans emballage peuvent être placés dans la partie réservée aux fruits et légumes frais.

ATTENTION

Le réglage optimal de la température de chaque compartiment dépend de la température ambiante. La température optimale ci-dessus est basée sur une température ambiante de 25°C.

Le stockage d'une trop grande quantité d'aliments pendant le fonctionnement après le premier branchement peut nuire à l'effet de congélation du réfrigérateur. Les aliments stockés ne doivent pas bloquer la sortie d'air, autrement l'effet de congélation sera également réduit.

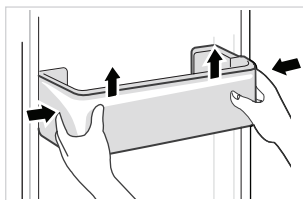
NETTOYAGE ET ENTRETIEN

Décongélation

- Le réfrigérateur est fabriqué selon le principe de refroidissement par air et dispose donc d'une fonction de dégivrage automatique. Le givre formé en raison du changement de saison ou de température peut également être éliminé manuellement en débranchant l'appareil ou en l'essuyant avec une serviette sèche.

Nettoyage du plateau de porte

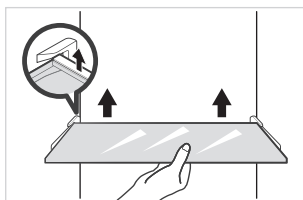
- Selon la flèche de direction dans la figure ci-dessous, utilisez les deux mains pour presser le plateau et poussez-le vers le haut pour pouvoir le sortir par la suite.
- Après avoir lavé le plateau retiré, vous pouvez ajuster sa hauteur en fonction de vos besoins.



FR

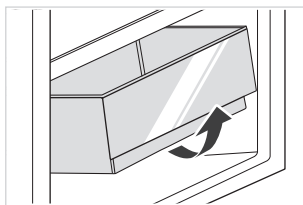
Nettoyage de l'étagère en verre

- Comme la partie la plus interne de la cuve du réfrigérateur, où se trouvent les étagères, est dotée d'une butée arrière, vous devez soulever les étagères vers le haut pour pouvoir les retirer.
- Ajustez ou nettoyez les étagères en fonction de vos besoins.



Nettoyage du bac à fruits et légumes

1. Retirez le contenu du bac. Tenez la poignée du bac à légumes et tirez complètement jusqu'à ce qu'il s'arrête.
2. Soulevez le bac à légumes et le retirer en le tirant vers l'extérieur.



ATTENTION

Pour le nettoyage, nous recommandons des serviettes douces ou une éponge trempée dans de l'eau et des détergents neutres non corrosifs. Le congélateur doit être finalement nettoyé à l'eau claire et avec un chiffon sec. Ouvrez la porte pour un séchage naturel avant de mettre l'appareil sous tension. N'utilisez pas de brosses dures, de billes de nettoyage en acier, de brosses métalliques, d'abrasifs tels que le dentifrice, de solvants organiques (tels que l'alcool, l'acétone, l'huile de banane, etc.), de l'eau bouillante, des produits acides ou alcalins ; nettoyez le congélateur en sachant que cela peut endommager la surface et l'intérieur du congélateur.

Arrêt de fonctionnement

Panne de courant :

En cas de panne de courant, même en été, les aliments à l'intérieur de l'appareil peuvent être conservés plusieurs heures ; pendant la panne de courant, les heures d'ouverture de la porte doivent être réduites et aucun aliment frais ne doit plus être mis dans l'appareil.

Longue période de non utilisation :

L'appareil doit être débranché et nettoyé ; laissez es portes ouvertes pour éviter les odeurs.

Déplacement :

Avant de déplacer le réfrigérateur, mettez tous les objets à l'envers, fixez les cloisons en verre, le bac à légumes, les tiroirs de la chambre de congélation, etc. avec du ruban adhésif, et serrez les pieds de nivellement ; fermez les portes et les fixer avec du ruban adhésif. Pendant le déplacement, l'appareil ne doit pas être posé à l'envers ou horizontalement ni être soumis à des vibrations ; l'inclinaison pendant le mouvement ne doit pas dépasser 45°.

ATTENTION

Une fois mis en marche, l'appareil doit fonctionner en continu. En règle générale, le fonctionnement de l'appareil ne doit pas être interrompu ; autrement sa durée de vie peut être réduite.

Les aliments peuvent être conservés pendant quelques heures même en été en cas de panne de courant, il est recommandé de réduire la fréquence d'ouverture de la porte.

DÉPANNAGE

Les problèmes simples suivants peuvent être traités par l'utilisateur. Appelez le service après-vente si ces problèmes ne sont pas réglés.

Problème	Cause possible
Échec de l'opération	• Vérifiez si l'appareil est branché au secteur ou si la fiche est bien en contact
	• Vérifiez si la tension est trop basse
	• Vérifiez s'il y a une panne de courant ou des circuits partiels se sont déclenchés
Odeur	• Les aliments susceptibles d'émettre des odeurs doivent être bien enveloppés
	• Vérifiez s'il y a des aliments pourris
	• Nettoyez l'intérieur du réfrigérateur
Compresseur fonctionnant pendant une longue période	• Un long fonctionnement du réfrigérateur est normal en été
	• Lorsque la température ambiante est élevée, il n'est pas recommandé d'avoir trop d'aliments dans l'appareil en même temps
	• Les aliments doivent refroidir avant d'être mis dans l'appareil
La lumière ne s'allume pas	• Les portes sont ouvertes trop fréquemment
	• Vérifiez si le réfrigérateur est branché à l'alimentation électrique et si la lumière est endommagée
La lumière ne s'allume pas	• Faites remplacer la lumière par un professionnel
	• Vérifiez si le réfrigérateur est branché à l'alimentation électrique et si la lumière est endommagée
La porte du réfrigérateur ne peut pas être correctement fermée.	• La porte est coincée par des aliments
	• Trop d'aliments sont placés
	• Le réfrigérateur est incliné.
Bruits forts	• Vérifiez si le sol est bien horizontal et si le réfrigérateur est placé de manière stable
	• Vérifiez si les accessoires sont placés aux bons endroits

Problème	Cause possible
Le joint de la porte n'est pas serré.	<ul style="list-style-type: none"> • Éliminez tout corps étranger sur le joint de la porte • Chauffez le joint de la porte, puis le refroidir pour le restaurer (ou soufflez dessus avec un séchoir électrique ou utilisez une serviette chaude)
Débordement du bac à eau	<ul style="list-style-type: none"> • Il y a trop d'aliments dans la chambre ou les aliments stockés contiennent trop d'eau, cela entraîne une forte décongélation • Les portes ne sont pas fermées correctement, cela entraîne un dégivrage dû à l'entrée d'air et une augmentation d'eau
Boîtier chaud	<ul style="list-style-type: none"> • La dissipation de la chaleur du condenseur intégré via le boîtier est normale. Lorsque le boîtier devient chaud en raison d'une température ambiante élevée, du stockage d'une trop grande quantité d'aliments ou de l'arrêt du compresseur, il faut prévoir une bonne ventilation pour faciliter la dissipation de la chaleur.
Condensation de surface	<ul style="list-style-type: none"> • La condensation sur la surface extérieure et les joints de porte du réfrigérateur est normale lorsque l'humidité ambiante est trop élevée. Il suffit d'essuyer la condensation avec une serviette propre.
Bruit anormal	<ul style="list-style-type: none"> • Vrombissement : Le compresseur peut produire des vrombissements qui sont forts en particulier au démarrage ou à l'arrêt. C'est normal. • Craquements : Le fluide frigorigène qui circule à l'intérieur de l'appareil peut produire des craquements, ce qui est normal.

NOTA DE AGRADECIMIENTO

¡Gracias por elegir Midea! Antes de usar su nuevo producto Midea, lea atentamente este manual para operar de forma segura las características y funciones que ofrece su nuevo electrodoméstico.

CONTENIDO

NOTA DE AGRADECIMIENTO	01
ESPECIFICACIONES	02
DESCRIPCIÓN DEL PRODUCTO	03
INSTALACIÓN DEL PRODUCTO	04
INSTRUCCIONES DE OPERACIÓN	12
LIMPIEZA Y MANTENIMIENTO	16
RESOLUCIÓN DE PROBLEMAS	18

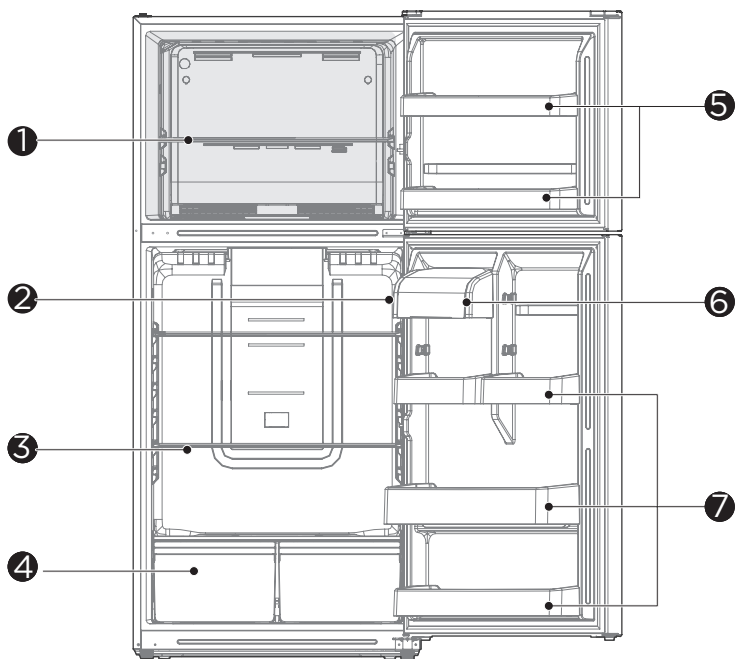
ES

ESPECIFICACIONES

Modelo del producto	MRT18D2B**/MRT18D3B**
Volumen de almacenamiento total	18 cu.ft.
Tensión nominal	115V-/60Hz
Corriente nominal	1.2A
Dimensiones generales (Alt x An x Prof)	66.6 in x 29.7 in x 30.7 in

DESCRIPCIÓN DEL PRODUCTO

Nombres de los componentes



- | | | | |
|---|------------------------------------|---|--|
| 1 | Repisa de vidrio del Refrigerador | 4 | Cajón para frutas y verduras |
| 2 | Pantalla de control | 5 | Bandejas de la puerta del congelador |
| 3 | Repisas de vidrio del refrigerador | 6 | Caja para lácteos |
| 4 | | 7 | Bandejas de la puerta del refrigerador |

ATENCIÓN

La imagen que aparece arriba tiene solo una finalidad de referenciar. La configuración real dependerá del producto físico o declaración por parte del distribuidor.

Al encender el refrigerador por primera vez, cargarlo con demasiados alimentos puede afectar negativamente el efecto de enfriamiento.

No bloquee la salida de aire durante al guardar los alimentos pues puede afectar negativamente el efecto de enfriamiento.

Si la temperatura en el compartimiento del refrigerador es muy fría, mueva el interruptor a la posición de menor frío. Si la temperatura en el compartimiento del refrigerador no es lo suficientemente fría, mueva el interruptor a la posición de mayor frío.

INSTALACIÓN DEL PRODUCTO

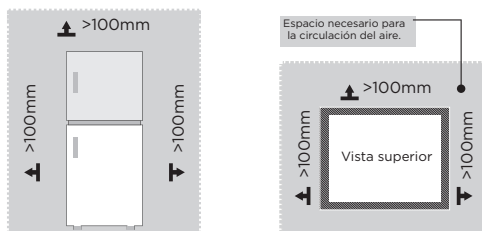
Instrucciones de instalación

Busque un lugar adecuado

- Este refrigerador está diseñado solo para estar de pie y no debe quedar encerrado ni empotrado.
- El Refrigerador debe colocarse en un lugar interior bien ventilado; el suelo debe ser plano y resistente.
- Manténgalo alejado del calor y evite la luz solar directa. No coloque el Refrigerador en espacios húmedos o con agua para prevenir el óxido o la reducción del efecto de aislamiento.

Dimensiones y espacios despejados

- Una distancia demasiado pequeña entre el refrigerador y los elementos adyacentes puede provocar la degradación de la capacidad de congelación y un aumento de los costos de electricidad. Al instalar el refrigerador, deje más de 100mm de espacio despejado entre el aparato y cada pared adyacente.



Procure contar con una fuente de alimentación adecuada.

- Revise su fuente local de energía. Este refrigerador requiere **AC115 V, 60 Hz** de corriente.
- Utilice una toma de corriente que acepte la clavija de conexión a tierra. El cable de alimentación está equipado con un enchufe de 3 clavijas (conexión a tierra) que se acopla a una toma de corriente de pared estándar de 3 clavijas (conexión a tierra) para minimizar la posibilidad de riesgo de descarga eléctrica de este refrigerador.



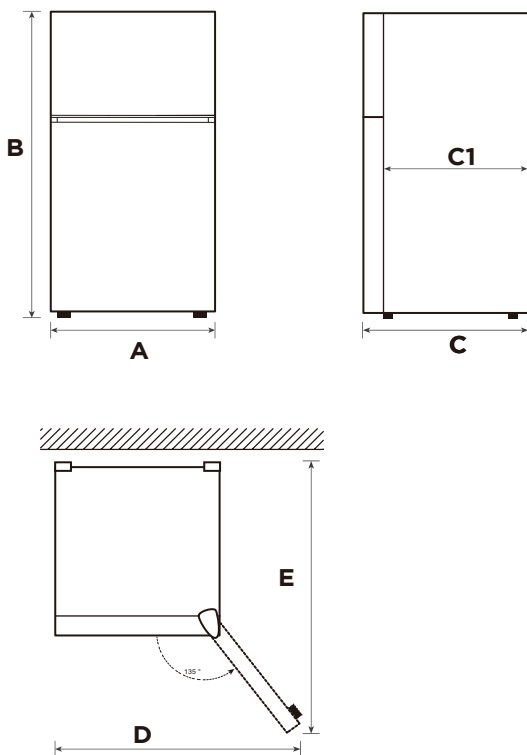
PRECAUCIÓN

El refrigerador siempre debe estar enchufado en una toma de corriente exclusiva que tenga una clasificación de voltaje que coincida con la placa de clasificación. Nunca tire del cable para desenchufar el refrigerador. Siempre agarre el enchufe y tire de él firmemente.

Empiece a usar el producto

- Después de instalarlo, deje reposar el refrigerador por media hora antes de conectarlo a la corriente y usarlo por primera vez.
- El Refrigerador deberá funcionar de 2 a 3 horas antes de cargar alimentos frescos o congelados; en verano, el aparato debe funcionar durante más de 4 horas con anticipación considerando que la temperatura ambiente es alta.

Diagrama de espacios necesarios (cuando la puerta está abierta y cuando la puerta está cerrada)



ES

Ancho	Altura total	Profundidad	Profundidad del gabinete solo	Ancho con puerta abierta 135°	Profundidad con puerta abierta 135°
A	B	C	C1	D	E
755	1692	780	680	1276	1342

Nota: Todas las dimensiones en mm

Cambio de puerta derecha-izquierda

Dependiendo de la ubicación en la coloque su refrigerador, puede que le resulte más conveniente invertir la posición de la puerta.



PRECAUCIÓN

PRECAUCIÓN: Para evitar lesiones personales o daños a su propiedad, le recomendamos que alguien le ayude durante el proceso de inversión de la puerta.

Preparación para invertir la posición de la puerta

Necesitará: Un destornillador estándar, un destornillador Phillips y la llave Allen incluida.

- Asegúrese de que su refrigerador esté desenchufado y vacío.
- Que alguien le ayude en el proceso.
- Guarde todas las piezas que extraiga para reutilizarlas más tarde.

Piezas incluidas con el kit de bisagras:

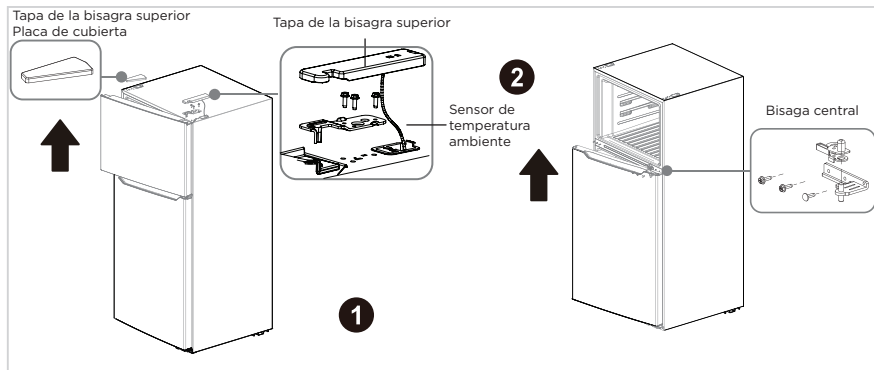


Piezas ya montadas en el refrigerador (tal y como se suministra):



Paso

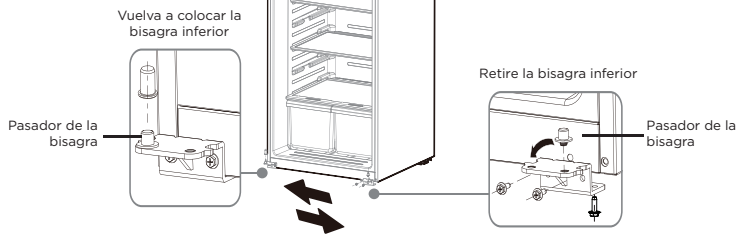
1. Desenchufe su refrigerador y retire todos los alimentos del interior.
2. Retire la placa de la cubierta y la cubierta de la bisagra superior, luego desatornille y retire la bisagra superior. Guarde los tornillos para un posterior uso
3. Al retirar la tapa de la bisagra superior, tenga en cuenta que no es posible quitar esta tapa directamente debido al arnés de cableado del sensor conectado a la caja en el lado interior de la tapa, por lo que debe desmontarla cuidadosamente y luego sacar el arnés de cables del sensor desde el lado interior de la cubierta de la bisagra, y por último fije la cubierta.
4. Levante la puerta del congelador hacia arriba y sepárela de su refrigerador.
5. Desatornille los tres tornillos que sujetan la bisagra central, retire la bisagra y luego levante la puerta del refrigerador y sepárela de su refrigerador. Guarde los tornillos y la bisagra en un lugar seguro en caso de que necesite invertir la posición de la puerta nuevamente.



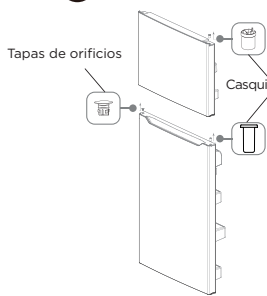
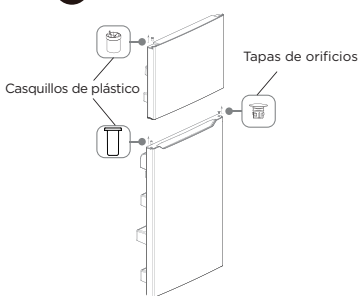
ATENCIÓN

Las imágenes muestran un refrigerador que se abre en el lado izquierdo. El refrigerador también puede abrirse en el lado derecho.

6. Retire el pie de ajuste y el tornillo instalado en la bisagra inferior antes de quitar la bisagra inferior.
7. Desatornille los tres tornillos que sujetan la bisagra inferior, luego retire la bisagra inferior del refrigerador.
8. Desensrosque el pasador de la bisagra de la bisagra inferior y vuelva a colocarlo en el otro orificio del pasador de la bisagra, luego asegure la bisagra inferior en el lado opuesto del refrigerador con los tornillos que retiró anteriormente. Retire las tapas de los orificios y los casquillos de plástico de la parte superior del refrigerador y las puertas del congelador y del refrigerador. Guárdelos para el siguiente paso.

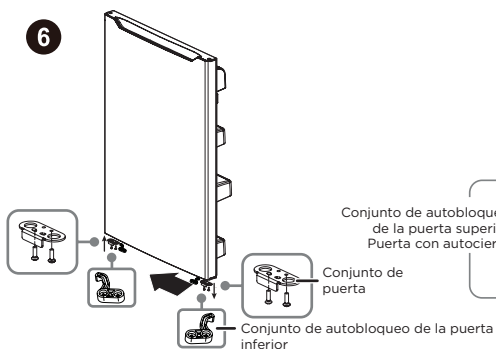
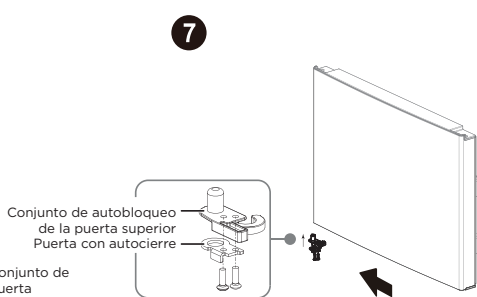
3

9. Inserte las tapas de los orificios y los casquillos de plástico en los lados opuestos (de donde los quitó) de las puertas del congelador y del refrigerador.

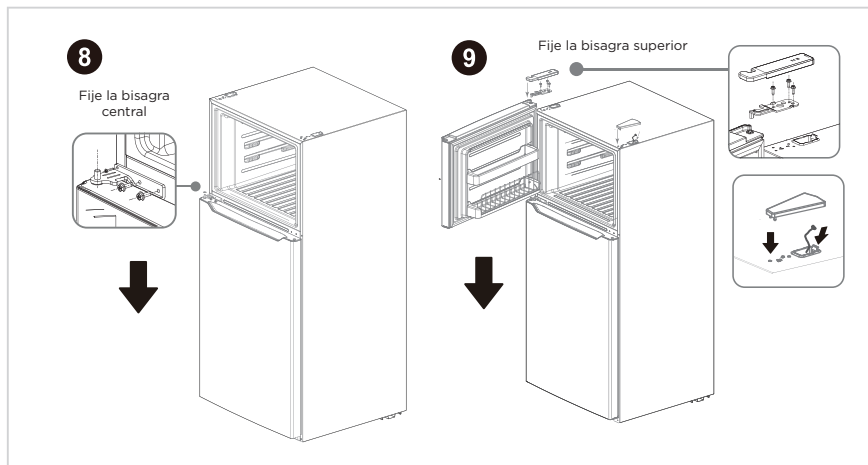
4**5**

10. Retire el conjunto de la puerta de la parte inferior de la puerta del refrigerador y fíjelo al otro lado.

11. Fije el conjunto de autocierre de la puerta superior y el autocierre de la puerta al lado de la puerta del congelador donde estará la bisagra. Utilice las piezas del juego de bisagras.

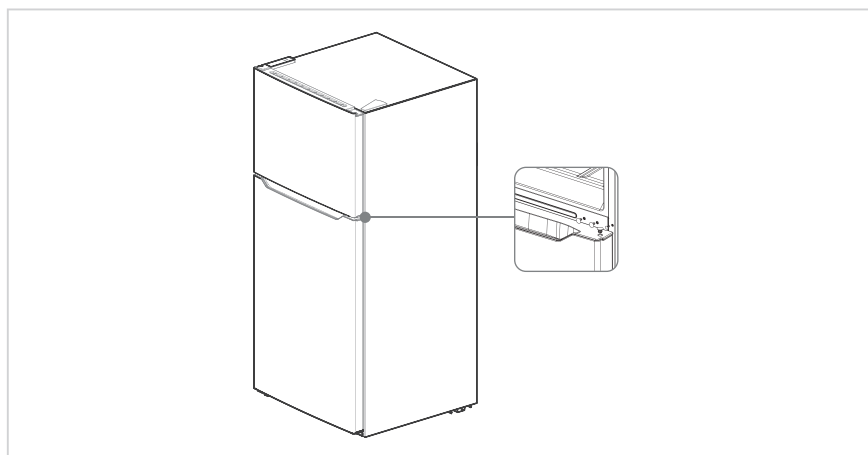
6**7**

12. Retire el conjunto de autobloqueo de la puerta superior anterior y el autocierre de la puerta (no retire las piezas adjuntas en el paso 10). Guárdelo en un lugar seguro en caso de que necesite invertir la posición de la puerta nuevamente.
13. Fije la puerta del refrigerador a la bisagra inferior y luego fije la bisagra central al refrigerador. Use la bisagra central del juego de bisagras (no la pieza que quitó en el paso 4).
14. Coloque la puerta del congelador en la bisagra central, luego fije la bisagra superior (del juego de bisagras) en la parte superior del refrigerador. Cubra la bisagra con la cubierta de la bisagra superior (del juego de bisagras) y cubra los orificios de los tornillos en la parte superior con la placa de cubierta que retiró anteriormente.



ES

15. Añada las cubiertas a los orificios de los tornillos y al pivote de la bisagra.





Nivelado de los pies

Para evitar vibraciones, el aparato debe estar nivelado.

Si es necesario, ajuste los tornillos de nivelación para compensar un suelo irregular.

La parte frontal debe estar un poco más alta que la parte posterior para facilitar el cierre de la puerta.

Los tornillos de nivelación se pueden girar fácilmente inclinando ligeramente el gabinete.

Gire los tornillos de nivelación en sentido contrario a las agujas del reloj  para levantar el aparato, gírelos en sentido de las agujas del reloj  para bajarlo.

Transporte del refrigerador

1. Retire todos los alimentos del interior del refrigerador.
2. Desenchufe el cable, luego insértelo y fíjelo en el gancho para este fin en la parte trasera o en la parte superior del aparato.
3. Aplique cinta adhesiva en las repisas y la manija de la puerta para evitar que se caigan mientras transporta el refrigerador.
4. Mueva cuidadosamente el aparato entre más de dos personas. Cuando transporte el aparato a largas distancias, manténgalo en posición vertical.
5. Después de instalar el aparato, enchúfelo a una toma de corriente para encenderlo.

ATENCIÓN

Precauciones previas a la operación:

Antes de realizar los cambios, desenchufe el refrigerador.

Tome precauciones para evitar lesiones personales.

Cómo cambiar la lámpara.

- Cualquier sustitución o mantenimiento de las bombillas LED está previsto que lo realice el fabricante, su agente de mantenimiento o una persona con una cualificación similar.

Conexión del aparato

Después de instalar el aparato, conecte el enchufe a una toma de corriente.

ATENCIÓN

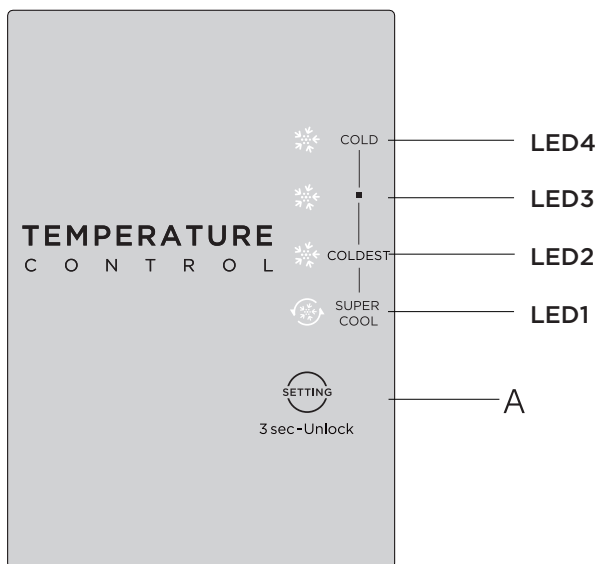
Después de conectar el cable de alimentación (o el enchufe) a la toma de corriente, espere 2 o 3 horas antes de introducir alimentos en el aparato. Si agrega alimentos antes de que el refrigerador se haya enfriado por completo, es posible que se echen a perder.

Consejos para ahorrar energía

- No coloque el aparato cerca de cocinas, radiadores u otras fuentes de calor. Si la temperatura ambiente es alta, el compresor funcionará con más frecuencia y durante más tiempo, lo que aumentará el consumo de energía.
- Asegúrese de que haya suficiente ventilación en la base, en los lados y en la parte trasera del aparato. No obstruya las aberturas de ventilación.
- Tenga en cuenta también las medidas de distancia en el capítulo "Instalación".
- La disposición de cajones, repisas y estantes, como aparece en la ilustración, permite el uso más eficiente de energía y, por lo tanto, debe aplicarse en la medida de lo posible. Todos los cajones y repisas deben permanecer en el aparato para mantener la temperatura estable y ahorrar energía.
- Para obtener un mayor espacio de almacenamiento (p. ej., para productos refrigerados/congelados grandes), los cajones intermedios se pueden quitar. Los cajones superiores e inferiores y las repisas deben retirarse en última instancia, si es necesario.
- Un compartimento refrigerador/congelador lleno uniformemente contribuye a un uso óptimo de la energía. Por lo tanto, evite los compartimentos vacíos o semivacíos.
- Deje que los alimentos calientes se enfríen antes de colocarlos en el refrigerador/congelador. Los alimentos que ya se han enfriado aumentan la eficiencia energética.
- Permita que los alimentos congelados se descongelen en el refrigerador. El frío de los alimentos congelados reduce el consumo de energía en el compartimento del refrigerador y aumenta así la eficiencia energética.
- Abra la puerta el menor tiempo posible para minimizar la pérdida de frío. Abrir la puerta brevemente y cerrarla correctamente reduce el consumo de energía.
- Las juntas de las puertas del refrigerador deben estar perfectamente intactas para que las puertas cierren correctamente y el consumo de energía no aumente innecesariamente.

INSTRUCCIONES DE OPERACIÓN

Panel de control



ES

Botones

A	Botón de configuración
----------	------------------------

Pantalla	
LED4	COLD
LED3	■
LED2	COLDEST
LED1	SUPER COOL

⚠ ATENCIÓN

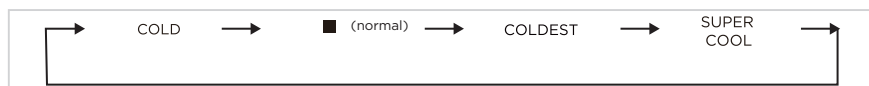
El panel de control real puede diferir de un modelo a otro.

Instrucciones de operación

Configuración de temperatura

- Cada vez que se pulsa el botón de ajuste de temperatura A, el ajuste de temperatura cambia una vez. Una vez que se ha completado el ajuste de la temperatura, el refrigerador funcionará conforme al valor establecido después de 15 segundos.
- Cuando se activa el modo Super Cool, el refrigerador funcionará a su máxima capacidad para alcanzar más rápido la configuración más fría y mantenerla por hasta 6 horas.

La regulación de cambio es:



Nota: La temperatura de cada posición está dentro de los $\pm 2^\circ$ de la temperatura establecida, y la situación real es ligeramente diferente según la situación de la carga.

Indicador de fallos

- Al encender el refrigerador por primera vez, la pantalla brilla por completo durante 3 segundos, y luego el refrigerador funcionará normalmente. En caso de falla, el LED correspondiente parpadeará. En caso de que no haya fallas, se mostrará el ajuste de temperatura actual del refrigerador.

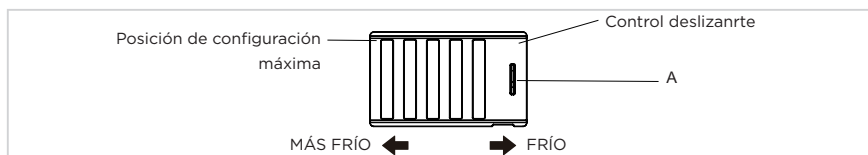
Código de falla	Descripción de la falla
LED1/LED2 brillantes	Falla en el sensor de temperatura del refrigerador
LED1/LED3 brillantes	Fallo del sensor del congelador
LED1/LED4 brillantes	Falla del sensor de la temperatura ambiente

Bloqueo/desbloqueo

- Cuando el panel de control de la temperatura está en estado de bloqueo, se necesita una pulsación larga de la tecla de configuración de la temperatura durante 3 segundos para desbloquear el panel. Todos los leds parpadearán durante 2 segundos cuando se desbloquee el panel. Cuando el panel de control de temperatura está en estado de desbloqueo, si no hay ninguna operación en el panel de control durante 15 segundos, entrará en estado de bloqueo automáticamente.

Control deslizante

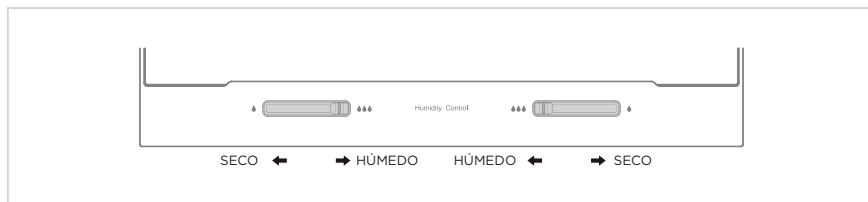
- La temperatura dentro del congelador se puede ajustar cambiando la posición del control deslizante. La posición inicial del control deslizante es en la posición A. Si se requiere una temperatura más baja dentro del congelador, puede ajustar el control deslizante desde la posición A hacia la izquierda.



Nota: Para un mejor uso del refrigerador, mantenga la el control deslizante en la posición inicial. Control de humedad del estante

Control de humedad del estante

- El movimiento de la paleta de control hacia el medio es húmedo, y hacia ambos lados es seco.



Descripción de la máquina de hielo

Tipo de máquina de hielo:

- Este refrigerador es compatible con la máquina de hielo marca Midea IM1900MD.

Instalación de la máquina de hielo:

- Si es posible instalar el refrigerador con una máquina de hielo, consulte las instrucciones de instalación de la máquina de hielo proporcionadas por separado para conocer el método de su instalación.

Consejos para almacenar alimentos

Compartimento del congelador

- El congelador está diseñado para el almacenamiento de alimentos congelados a muy baja temperatura, el almacenamiento a largo plazo de alimentos congelados y para la producción de hielo.
- Utilice los compartimientos de la puerta del congelador únicamente para almacenar alimentos congelados, no para almacenar alimentos calientes en espera de congelación.
- No coloque alimentos frescos al lado de alimentos congelados. La comida congelada puede descongelarse.
- Cuando congele alimentos frescos (como carne, pescado o carne picada), córtelos en partes que se puedan usar al mismo tiempo.
- Almacenamiento de alimentos congelados: siga las instrucciones generalmente indicadas en los paquetes. Si no hay información en el empaque, los alimentos no deben almacenarse por más de tres meses a partir de la fecha de compra.
- Al comprar alimentos congelados, asegúrese de que estén congelados a una temperatura adecuada y que el empaque no esté dañado.
- Los alimentos congelados deben conservarse en envases adecuados para conservar la calidad y deben devolverse al congelador lo antes posible.
- Si un paquete de alimentos congelados muestra humedad o un abultamiento anormal, es probable que se haya almacenado a la temperatura incorrecta y que el contenido esté dañado.
- El período de almacenamiento de alimentos congelados depende de la temperatura ambiente, la configuración del termostato, la frecuencia de apertura de la puerta del congelador, el tipo de alimento y el tiempo de transporte del producto desde la tienda hasta el hogar. Siempre siga las instrucciones impresas en el paquete y nunca exceda el tiempo máximo de almacenamiento indicado en el paquete.

Compartimento del refrigerador

- Para reducir la humedad y la consecuente acumulación de hielo, nunca ponga líquidos en el refrigerador en recipientes sin sellar. La escarcha tiende a concentrarse en las partes más frías del evaporador. El almacenamiento de líquidos descubiertos da como resultado una necesidad más frecuente de descongelación.
- Nunca coloque alimentos calientes en el refrigerador. Enfríelos primero a temperatura ambiente y luego colóquelos de manera que permitan una circulación de aire adecuada en el refrigerador.
- Los alimentos o los recipientes de alimentos no deben tocar la pared trasera del refrigerador porque podrían congelarse en la pared. Trate de no abrir frecuentemente la puerta del refrigerador.
- La carne y el pescado limpios (envasados en un paquete o papel de plástico) se pueden colocar en el refrigerador, y pueden consumirse en 1 o 2 días.
- Las frutas y vegetales sin envasar pueden colocarse en el compartimento destinado a las frutas y vegetales frescos.

ATENCIÓN

El ajuste de temperatura óptimo de cada compartimento depende de la temperatura ambiente. La temperatura superior a la óptima se basa en una temperatura ambiente de 25 °C. Guardar demasiados alimentos durante el funcionamiento después de la conexión inicial a la corriente puede afectar negativamente el efecto de congelación del refrigerador. Los alimentos almacenados no deben bloquear la salida de aire; o de lo contrario, el efecto de congelación también se verá afectado negativamente.

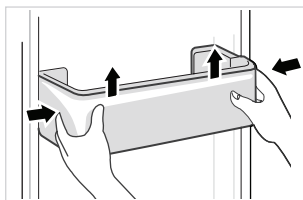
LIMPIEZA Y MANTENIMIENTO

Descongelación

- El refrigerador está fabricado basándose en el principio de refrigeración de aire y así tiene una función de descongelación automática. El hielo formado debido al cambio de estación o temperatura asimismo puede retirarse manualmente mediante la desconexión del aparato de la alimentación o limpiándolo con una toalla seca.

Limpeza de la bandeja de la puerta

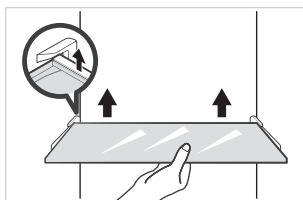
- De acuerdo con la flecha de dirección en la figura a continuación, use ambas manos para primero apretar la bandeja, empujarla hacia arriba y luego sacarla.
- Una vez retirada la bandeja de lavado, ajuste su altura de instalación de acuerdo con sus necesidades.



ES

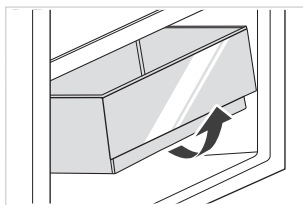
Limpeza del estante de vidrio

- La parte más interna del revestimiento del refrigerador en contacto con las repisas tiene un tope trasero, por lo que primero debe levantar las repisas hacia arriba para recién después retirarlas.
- Ajuste o limpie las repisas según sea necesario.



Limpeza del cajón para verduras y frutas

1. Retire el contenido del cajón. Sostenga el asa del cajón de verduras y tire de él completamente hasta que se detenga.
2. Levante el cajón de verduras y tire de él para retirarlo.



ATENCIÓN

Para la limpieza use toallas suaves o esponja humedecidas en agua y detergentes neutros no corrosivos. Limpie el congelador con agua limpia y un paño seco. Abra la puerta para un secado natural antes de encender el aparato. No utilice cepillos duros, esponjas de alambre, cepillos de alambre, abrasivos (como pastas de dientes), solventes orgánicos (como alcohol, acetona, aceite de plátano, etc.), agua hirviendo, artículos ácidos o alcalinos para limpiar el refrigerador, ya que podrían dañar la superficie interior del aparato.

No use

Fallo de alimentación:

En caso de un fallo de alimentación, incluso en verano, los alimentos en el interior del aparato pueden mantenerse durante varias horas; durante un fallo de alimentación, se debe reducir las veces que se abre la puerta y no se deben colocar más alimentos frescos en el aparato.

Ausencia de uso prolongada:

El aparato debe desenchufarse y después limpiarse; posteriormente, las puertas se dejan abiertas para evitar los malos olores.

Traslado:

Antes de mover el refrigerador, extraiga todos los objetos al exterior, fije las partes de cristal, el soporte de las verduras, los cajones de la cámara de congelación, etc. con cinta y apriete los pies de nivelación; cierre las puertas y fijelas con cinta. Durante el traslado, no se debe colocar el aparato al revés u horizontalmente o hacer que vibre; la inclinación durante el movimiento no será superior a 45°.

ATENCIÓN

El aparato debe funcionar de forma continua una vez que se enciende. En general, el funcionamiento del aparato no debe interrumpirse; el caso contrario, se puede ver alterada su vida útil.

En caso de corte de energía, los alimentos se pueden conservar durante un par de horas; evite abrir frecuentemente la puerta.

RESOLUCIÓN DE PROBLEMAS

El usuario puede resolver los siguientes problemas sencillos. Llame al servicio de posventa si los problemas no se resuelven.

Problema	Posible causa
Fallo en el funcionamiento	• Compruebe si el aparato está conectado a la alimentación o si el enchufe tiene bien los contactos.
	• Compruebe si la tensión es demasiado baja.
	• Compruebe si hay un fallo de corriente o han saltado los circuitos parciales.
Mal olor	• Se deben envolver bien los alimentos que produzcan mal olor.
	• Compruebe si hay alimentos podridos.
	• Limpie el interior del refrigerador.
Funcionamiento durante mucho tiempo del compresor.	• El funcionamiento prolongado del refrigerador es normal en verano.
	• Cuando la temperatura ambiente es alta, no es recomendable guardar demasiada comida en el aparato.
	• Se deben enfriar los alimentos antes de empezar a ponerlos en el aparato.
La luz no se enciende.	• Las puertas se abren con demasiada frecuencia
	• Compruebe si el refrigerador está conectado a la alimentación y si la luz que se debe iluminar presenta daños.
	• Recurra a un técnico especializado para reemplazar la lámpara
La puerta no se puede cerrar correctamente	• La puerta está atascada por los envases de alimentos.
	• Se ha colocado demasiada comida
	• El refrigerador está inclinado.
Ruido alto	• Compruebe si el suelo está nivelado y si el refrigerador está colocado de forma estable
	• Compruebe si los accesorios están colocados en las ubicaciones adecuadas

Problema	Posible causa
El sello de la puerta no está estanco.	<ul style="list-style-type: none"> • Retire materiales extraños del sello de la puerta. • Caliente el sello de la puerta y después refrigérela para restaurarlo (o soplelo con un secador eléctrico o use una toalla caliente para calentarlo).
La bandeja de agua se desborda.	<ul style="list-style-type: none"> • Hay demasiados alimentos en la cámara o los alimentos almacenados contienen demasiada agua, lo que produce una descongelación intensa. • Las puertas no están cerradas debidamente lo que provocará hielo debido a la entrada de aire y al aumento de agua debido a la descongelación.
Carcasa caliente	<ul style="list-style-type: none"> • Disipación de calor del condensador incorporado a través de la cubierta, lo cual es normal. Cuando la cubierta se calienta debido a la alta temperatura ambiente, el almacenamiento de demasiados alimentos o el apagado del compresor se apaga, procure una buena ventilación para facilitar la disipación de calor.
Condensación de la superficie	<ul style="list-style-type: none"> • La condensación de la superficie exterior y los sellos de la puerta del refrigerador es normal cuando la humedad ambiente es demasiado alta. Simplemente limpie la condensación con una toallita limpia.
Ruido anormal	<ul style="list-style-type: none"> • Pitido: El compresor puede producir pitidos durante el funcionamiento y los pitidos son altos en especial durante el inicio y la parada. Esto es normal. • Crujido: El refrigerante que fluye por el interior del aparato puede producir crujidos, lo que es normal.



www.midea.com

© Midea 2022 all rights reserved