

MICROWAVE OVEN

# USER MANUAL

MMB12S2AS

Warning notices: Before using this product, please read this manual carefully and keep it for future reference. The design and specifications are subject to change without prior notice for product improvement. Consult with your dealer or manufacturer for details.

The diagram above is just for reference. Please take the appearance of the actual product as the standard.

## THANK YOU LETTER

Thank you for choosing Midea! Before using your new Midea product, please read this manual thoroughly to ensure that you know how to operate the features and functions that your new appliance offers in a safe way.

# CONTENTS

THANK YOU LETTER	EN-01
SAFETY INSTRUCTIONS	EN-02
SPECIFICATION	EN-11
PRODUCT OVERVIEW	EN-12
PRODUCT INSTALLATION	EN-13
OPERATION INSTRUCTIONS	EN-19
TROUBLE SHOOTING	EN-25
TRADEMARKS, COPYRIGHTS AND LEGAL STATEMENT	EN-26
DATA PROTECTION NOTICE	EN-27

# SAFETY INSTRUCTIONS

## Intended Use

The following safety guidelines are intended to prevent unforeseen risks or damage from unsafe or incorrect operation of the appliance. Please check the packaging and appliance on arrival to make sure everything is intact to ensure safe operation. If you find any damage, please contact the retailer or dealer. Please note modifications or alterations to the appliance are not allowed for your safety concern. Unintended use may cause hazards and loss of warranty claims.

## Explanation of Symbols



### **Danger**

This symbol indicates that there are dangers to the life and health of persons due to extremely flammable gas.



### **Warning of electrical voltage**

This symbol indicates that there is a danger to life and health of persons due to voltage.



### **Warning**

The signal word indicates a hazard with a medium level of risk which, if not avoided, may result in death or serious injury.



### **Caution**

The signal word indicates a hazard with a low degree of risk which, if not avoided, may result in minor or moderate injury.



### **Attention**

The signal word indicates important information (e.g. damage to property), but not danger.



### **Observe instructions**

This symbol indicates that a service technician should only operate and maintain this appliance in accordance with the operating instructions.

Read these operating instructions carefully and attentively before using/commissioning the unit and keep them in the immediate vicinity of the installation site or unit for later use!

# PRECAUTIONS TO AVOID POSSIBLE EXPOSURE TO EXCESSIVE MICROWAVE ENERGY

- a. Do not attempt to operate this oven with the door open since open door operation can result in harmful exposure to microwave energy. It is important not to defeat or tamper with the safety interlocks.
- b. Do not place any object between the oven front face and the door or allows soil or cleaner residue to accumulate on sealing surfaces.
- c. Do not operate the oven if it is damaged. It is particularly important that the oven door close properly and that there is no damage to the:
  - DOOR (bent)
  - HINGES AND LATCHES (broken or loosened)
  - DOOR SEALS AND SEALING SURFACES
- d. The oven should not be adjusted or repaired by anyone except properly qualified service personnel.

# IMPORTANT SAFETY INSTRUCTIONS

When using electrical appliances basic safety precautions should be followed, including the following:

## **▲ WARNING**

To reduce the risk of burns, electric shock, fire, injury to persons or exposure to excessive microwave energy:

- Read all instructions before using the appliance.
- Read and follow the specific: "PRECAUTIONS TO AVOID POSSIBLE EXPOSURE TO EXCESSIVE MICROWAVE ENERGY" found on page 3.
- This appliance must be grounded. Connect only to properly grounded outlet. See "GROUNDING INSTRUCTIONS" found on page 7.
- Install or locate this appliance only in accordance with the provided installation instructions.
- Some products such as whole eggs and sealed containers - for example, closed glass jars - are able to explode and should not be heated in this oven.
- Use this appliance only for its intended use as described in the manual. Do not use corrosive chemicals or vapors in this appliance. This type of oven is specifically designed to heat, cook or dry food. It is not designed for industrial or laboratory use.
- As with any appliance, close supervision is necessary when used by children.
- Do not operate this appliance if it has a damaged cord or plug, if it is not working properly, or if it has been damaged or dropped.

- This appliance should be serviced only by qualified service personnel. Contact nearest authorized service facility for examination, repair, or adjustment.
- Do not cover or block any openings on the appliance.
- Do not store this appliance outdoors. Do not use this product near water - for example, near a kitchen sink, in a wet basement, near a swimming pool, or similar location.
- Do not immerse cord or plug in water.
- Keep cord away from heated surface.
- Do not let cord hang over edge of table or counter.
- When cleaning surfaces of door and oven that comes together on closing the door, use only mild, nonabrasive soaps, or detergent applied with a sponge or soft cloth.
- To reduce the risk of fire in the oven cavity:
  - Do not overcook food. Carefully attend appliance when paper, plastic, or other combustible materials are placed inside the oven to facilitate cooking.
  - Remove wire twist-ties from paper or plastic bag before placing bag in oven.
  - If material inside of the oven ignite, keep oven door closed, turn oven off, and disconnect the power cord, or shut off power at the fuse or circuit breaker panel.
  - Do not use the cavity for storage purposes. Do not leave paper products, cooking utensils, or food in the cavity when not in use.
- Liquids, such as water, coffee, or tea are able to be overheated beyond the boiling point without appearing to be boiling. Visible bubbling or boiling when the container is removed from the microwave oven is not always present.

THIS COULD RESULT IN VERY HOT LIQUID SUDDENLY BOILING OVER WHEN THE CONTAINER IS DISTURBED OR A UTENSIL IS INSERTED INTO THE LIQUID.

To reduce the risk of injury to persons:

- Do not overheat the liquid.
  - Stir the liquid both before and halfway through heating it.
  - Do not use straight-sided containers with narrow necks.
  - After heating, allow the container to stand in the microwave oven for a short time before removing the container.
  - Use extreme care when inserting a spoon or other utensil into the container.
- Do not operate any heating or cooking appliance beneath the appliance.  
(Exception: A microwave oven investigated for use above another heating appliance.)
  - Do not mount unit over or near any portion of heating or cooking appliance.  
(Exception: A microwave oven investigated for use above another heating appliance.)
  - Do not mount over sink.
  - Do not store anything directly on top of the appliance surface when the appliance is in operation.

**SAVE THESE INSTRUCTIONS**

# GROUNDING INSTRUCTIONS

This appliance must be grounded. In the event of an electrical short circuit, grounding reduces the risk of electric shock by providing an escape wire for the electric current. This appliance is equipped with a cord having a grounding wire with a grounding plug. The plug must be plugged into an outlet that is properly installed and grounded.

## **⚠ WARNING**

Improper use of the grounding can result in a risk of electric shock. Consult a qualified electrician or serviceman if the grounding instructions are not completely understood, or if doubt exists as to whether the appliance is properly grounded. If it is necessary to use an extension cord, use only a 3-wire extension cord that has a 3-blade grounded plug, and 3-slot receptacle that will accept the plug on the appliance. The marked rating of the extension cord shall be equal to or greater than the electrical rating of the appliance.

## **⚠ DANGER**

Electric Shock Hazard

Touching some of the internal components can cause serious personal injury or death. Do not disassemble this appliance.

## **⚠ WARNING**

Electric Shock Hazard

Improper use of the grounding can result in electric shock. Do not plug into an outlet until appliance is properly installed and grounded.



- A short power-supply cord is provided to reduce the risks resulting from becoming entangled in or tripping over a longer cord.
- Longer cord sets or extension cords are available and may be used if care is exercised in their use.
- If a long cord or extension cord is used:
  - The marked electrical rating of the cord set or extension cord should be at least as great as the electrical rating of the appliance.
  - The extension cord must be a grounding-type 3-wire cord.
  - The longer cord should be arranged so that it will not drape over the counter top or tabletop where it can be pulled on by children or tripped over unintentionally.

## **RADIO INTERFERENCE**

- Operation of the microwave oven may cause interference to your radio, TV or similar equipment.
- When there is interference, it may be reduced or eliminated by taking the following measures:
  - Clean door and sealing surface of the oven
  - Reorient the receiving antenna of radio or television.
  - Relocate the microwave oven with respect to the receiver.
  - Move the microwave oven away from the receiver.
  - Plug the microwave oven into a different outlet so that microwave oven and receiver are on different branch circuits.

**This device complies with part 18 of the FCC Rules.**

# UTENSILS

## CAUTION

### Personal Injury Hazard

Tightly-closed utensils could explode. Closed containers should be opened and plastic pouches should be pierced before cooking.

See the instructions on "Materials you can use in microwave oven or to be avoided in microwave oven." There may be certain non-metallic utensils that are not safe to use for microwaving. If in doubt, you can test the utensil in question following the procedure below.

### **Utensil Test:**

- Fill a microwave-safe container with 1 cup of cold water (250ml) along with the utensil in question.
- Cook on maximum power for 1 minute.
- Carefully feel the utensil. If the empty utensil is warm, do not use it for microwave cooking.
- Do not exceed 1 minute cooking time.

## Materials You Can Use In Microwave Oven

Utensils	Remarks
Browning dish	Follow manufacturer's instructions. The bottom of browning dish must be at least 3/16 inch (5mm) above the turntable. Incorrect usage may cause the turntable to break.
Dinnerware	Microwave-safe only. Follow manufacturer's instructions. Do not use cracked or chipped dishes.
Glass jars	Always remove lid. Use only to heat food until just warm. Most glass jars are not heat resistant and may break.
Glassware	Heat-resistant oven glassware only. Make sure there is no metallic trim. Do not use cracked or chipped dishes.
Oven cooking bags	Follow manufacturer's instructions. Do not close with metal tie. Make slits to allow steam to escape.
Paper plates and cups	Use for short-term cooking/warming only. Do not leave oven unattended while cooking.
Paper towels	Use to cover food for reheating and absorbing fat. Use with supervision for a short-term cooking only.
Parchment paper	Use as a cover to prevent splattering or a wrap for steaming.
Plastic	Microwave-safe only. Follow the manufacturer's instructions. Should be labeled "Microwave Safe". Some plastic containers soften, as the food inside gets hot. "Boiling bags" and tightly closed plastic bags should be slit, pierced or vented as directed by package.
Plastic wrap	Microwave-safe only. Use to cover food during cooking to retain moisture. Do not allow plastic wrap to touch food.
Thermometers	Microwave-safe only (meat and candy thermometers).
Wax paper	Use as a cover to prevent splattering and retain moisture.

## Materials To Be Avoided In Microwave Oven

Utensils	Remarks
Aluminum tray	May cause arcing. Transfer food into microwave-safe dish.
Food carton with metal handle	May cause arcing. Transfer food into microwave-safe dish.
Metal or metal-trimmed utensils	Metal shields the food from microwave energy. Metal trim may cause arcing.
Metal twist ties	May cause arcing and could cause a fire in the oven.
Paper bags	May cause a fire in the oven.
Plastic foam	Plastic foam may melt or contaminate the liquid inside when exposed to high temperature.
Wood	Wood will dry out when used in the microwave oven and may split or crack.

# SPECIFICATION

<b>MODEL</b>	<b>MMB12S2AS</b>
Rated Voltage	120V~ 60Hz
Microwave Input	1500 W
Microwave Output	1000 W

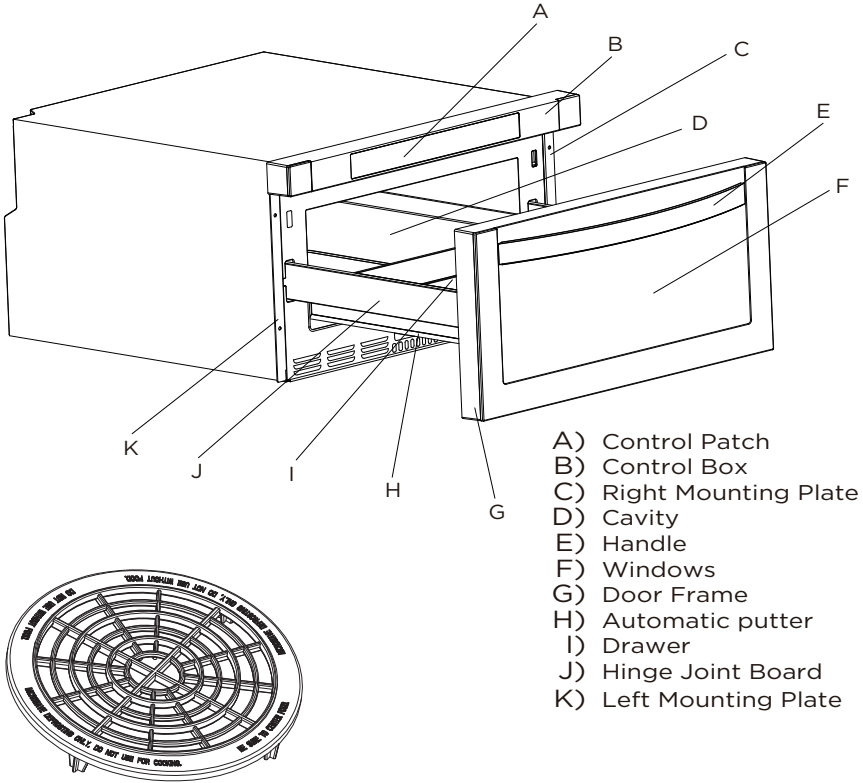
---

# PRODUCT OVERVIEW

## Names Of Oven Parts And Accessories

(In case of any differences between the appliance and the pictures in this manual, the product shall prevail.)

Remove the oven and all materials from the carton and oven cavity. Your oven comes with the following accessories:



- A) Control Patch
- B) Control Box
- C) Right Mounting Plate
- D) Cavity
- E) Handle
- F) Windows
- G) Door Frame
- H) Automatic putter
- I) Drawer
- J) Hinge Joint Board
- K) Left Mounting Plate

Defrosting Rack( Only be used in defrosting function and do not use for cooking. Do not use without food )

# PRODUCT INSTALLATION

## Special Warning

INSTALLATION AND SERVICE MUST BE PERFORMED BY A QUALIFIED INSTALLER. IMPORTANT: SAVE this installation manual FOR LOCAL ELECTRICAL INSPECTOR'S USE. READ AND SAVE THESE INSTRUCTIONS FOR FUTURE REFERENCE.

## Clearances And Dimensions

For SAFETY CONSIDERATIONS do not install drawer in any combustible cabinetry, which is not in accord with the stated clearances and dimensions on pages [15](#). See Figure 1.

## Unpacking Your Microwave Drawer

- Remove all packing materials from inside the Microwave Drawer. DO NOT REMOVE THE WAVEGUIDE COVER, which is located on the top of the Microwave Drawer.
- Remove the feature sticker, if there is one. Check the drawer for any damage, such as misaligned or bent drawer, damaged drawer seals and sealing surfaces, broken or loose Microwave Drawer guides and dents inside the cavity or on the front side of the drawer. If there is any damage, do not operate the Microwave Drawer and contact your dealer or a MIDEA AUTHORIZED SERVICER.

## Important Notes To The Installer

- Read all of the Installation Manual before installing the Microwave Drawer.
- Remove all packing material before connecting the electrical supply.
- Observe all governing codes and ordinances.
- Be sure to leave these instructions with the consumer.

## Important Notes To The Consumer

Keep this manual with your Operation Manual for future reference.

- As when using any microwave oven generating heat, there are certain safety precautions you should follow. These are listed in the Operation Manual. Read all and follow carefully.
- Be sure your Microwave Drawer is installed and grounded properly by a qualified installer or service technician.

## Important Safety Instructions

### WARNING

If the information in this manual is not followed exactly, a fire or electrical shock may result that could cause property damage, personal injury or death.

### WARNING

To reduce the risk of tipping ,the Microwave Drawer must be secured by a properly installed Anti-Tip block.

- This Microwave Drawer must be electrically grounded in accordance with local codes.
- Make sure the wall coverings and the cabinets around the Microwave Drawer can withstand the heat generated by the Microwave Drawer.

### WARNING

Never leave children alone or unattended in the area where a Microwave Drawer is in use. Never leave the drawer open when the microwave is unattended.

### WARNING

Stepping ,leaning or sitting on the drawer may result in serious injuries and can also cause damage to the Microwave Drawer.

- Do not use the Microwave Drawer as a storage space .This creates a potentially hazardous situation.
- Check that the time-of-day is in the display. IF not, touch Stop/Clear to prevent unintended use.

## Clearances And Dimensions

- Dimensions that are shown in Figure 1 must be used. Given dimensions provide minimum clearance. Locate electrical outlet in the shaded area in the upper left-hand corner of the cutout. See Figure 3.
- Contact surface must be solid and level. Pay special attention to the floor on which the Microwave Drawer will sit. The floor of the opening should be constructed of plywood strong enough to support the weight of the oven (about 100 pounds).
- Check location where the Microwave Drawer will be installed for proper electrical supply
- Your oven can be built into a cabinet or wall by itself or under a gas or electric wall oven.
- Be sure that the clearance of the floor between the wall oven and the microwave drawer is a minimum of 2-inches.
- The microwave interior will easily accommodate a 9" x 13" oblong dish or a bag of microwave popcorn.

# Microwave Drawer Measurements

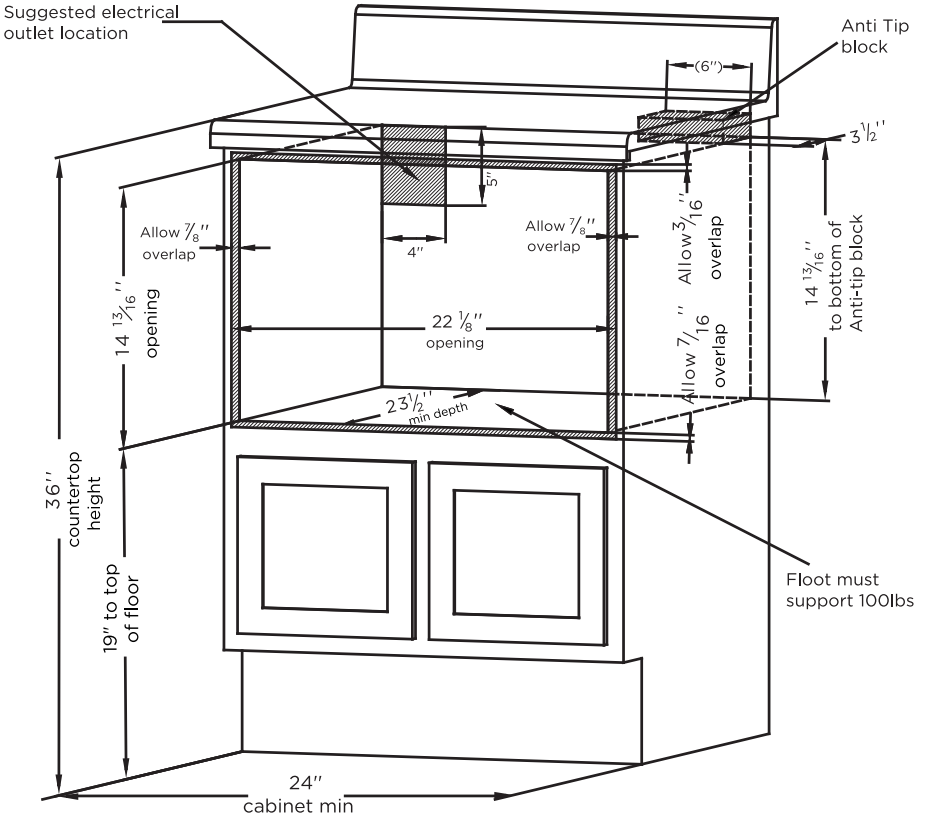


Figure 1

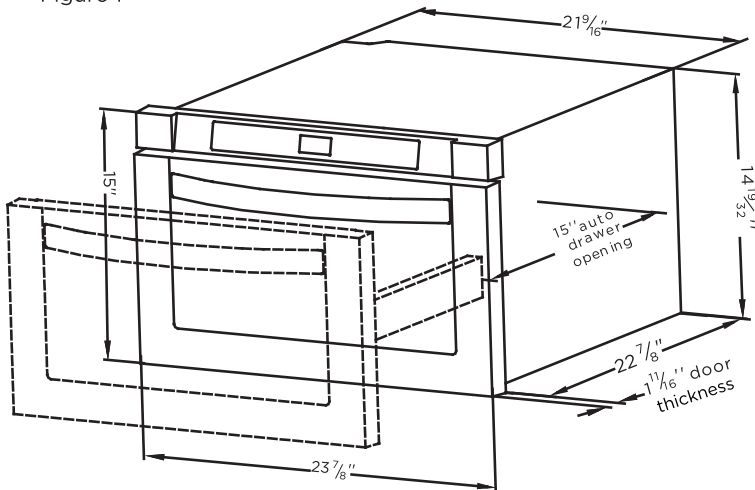


Figure 2



Figures 1 and 2 contain many Microwave Drawer measurements for reference when planning the drawer's location. This Microwave Drawer can be installed below any electric or gas wall oven.

\*Can also be installed using an electrical outlet in an adjacent cabinet within the area where tire provided electric al cord can reach. Power cord access hole in cabinet should be a minimum 1 1/2" diameter hole and debarred of all sharp edges.

### IMPORTANT

Always allow sufficient power cord length to the electrical outlet to prevent tension  
Always check electrical codes for requirements.

### Anti-Tip Block

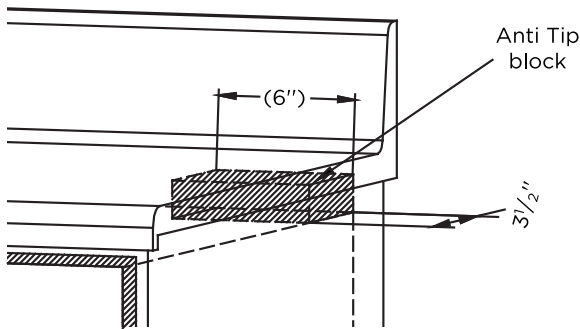


Figure 3

### NORMAL INSTALLATION STEPS

**ANTI-TIP BLOCK INSTALLATION INSTRUCTIONS** To reduce the risk of tipping of the drawer, the Anti-Tip block must be properly installed located 14 13/16-inches above the floor on which the Microwave Drawer will sit. The 6-inch Anti-Tip block must be provided by the installer. See Figures 1 and 3. The Anti-Tip block prevents serious injury that might result from spilled hot liquids.

If the Microwave Drawer is ever moved to a different location, the Anti-Tip block must also be moved and installed. When installed to the wall make sure that the screws completely penetrate the dry wall and are secured in wood or metal so that the block is totally stable. When fastening, be sure that the screws do not penetrate electrical wiring or plumbing.

## Electrical Outlet

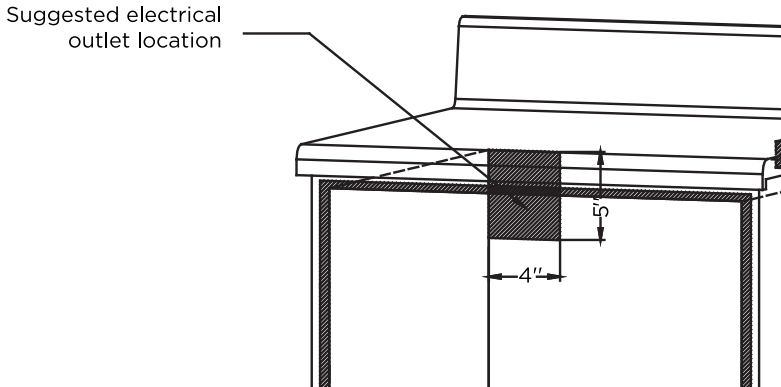


Figure 4

The electrical requirements are a 120 volt 60 Hz, AC only, 15 amp. or more protected electrical supply. It is recommended that a separate circuit serving only this appliance be provided.

The drawer is equipped with a 3-prong grounding plug. It must be plugged into a wall receptacle that is properly installed and grounded. Should you only have 2-prong outlet, have a qualified electrician install a correct wall receptacle.

### NOTE

If you have any questions about the grounding or electrical instructions, consult a qualified electrician or service person.

\*Can also be installed using an electrical outlet in an adjacent cabinet within the area where the provided electrical cord can reach.

Always check electrical codes ,for requirements.

## Grounding Instructions

This appliance must be grounded. The Microwave Drawer is equipped with a cord having a grounding wire with a grounding plug. It must be plugged into a wall receptacle that is properly installed and grounded in accordance with the National Electrical Code and local codes and ordinances. In the event of an electrical short circuit, grounding reduces risk of electric shock by providing an escape wire for the electric current.

### WARNING

Improper use of the grounding plug can result in a risk of electric shock .Do not use an extension cord .If the power supply cord is too short ,have a qualified electrician or serviceman install an outlet near the appliance.

## Drawer Installation

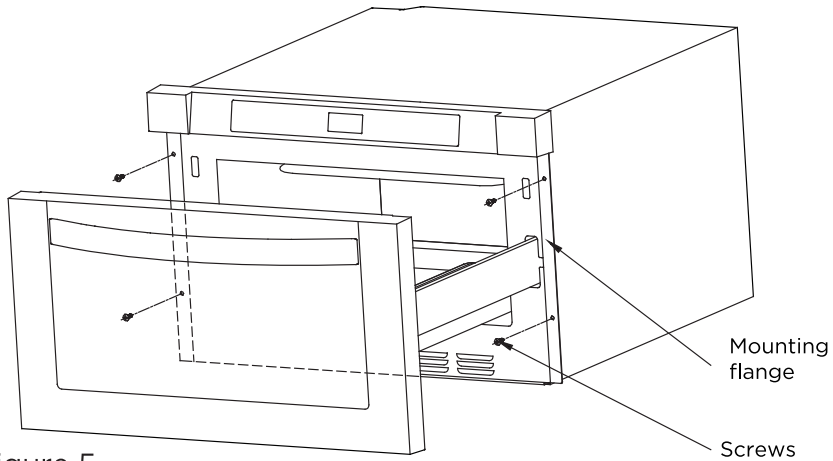
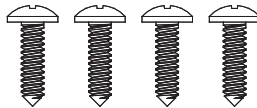


Figure 5

1. Place the drawer adjacent to the wall or cabinet opening. Plug the power supply cord into the electrical outlet.
2. Carefully guide the drawer into the prepared opening. Avoid pinching the cord between the oven and the wall.
3. Slide the drawer all the way until the mounting flange is flush with the face of the cabinet.  
See Figure 5.
4. Open the drawer. Using the 4 holes on the drawer as a template, pre drill the cabinet using a 1/16" bit. See Figure 5.
5. Secure the drawer with the 4 screws supplied. See Figure 6.



4 Screws

Figure 6

## Model And Serial Number Location

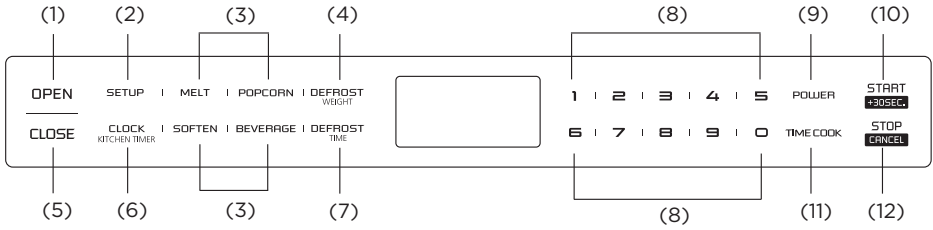
The name plate includes model and serial number. Open the Microwave Drawer fully. The label is beyond the back wall of the microwave cavity facing up from the flat surface.

## Care, Cleaning And Maintenance

Refer to the Operation Manual for cleaning instructions.

# OPERATION INSTRUCTIONS

## Control Panel And Features



- (1) Open
- (2) Setup
- (3) Auto Menu
- (4) Weight Defrost
- (5) Close
- (6) Clock/Kitchen timer
- (7) Time Defrost
- (8) Number keys
- (9) Power
- (10) Start/ +30sec.
- (11) Time Cook
- (12) Stop/Cancel

## Power On

1. When the microwave oven is plugged into an outlet, buzzer sounds once. Screen displays "WELCOME". Then the oven turns into standby mode. The screen displays "00:00".
2. In standby mode, the screen will display the current time if the clock has been set. Otherwise, "00:00" will display.
3. Press "**OPEN**" to open the drawer, and screen displays "**OPEN**". The screen will display "**PLEASE CLOSE**" when the drawer is fully opened. Press "**CLOSE**" to close the drawer, and the screen displays "**CLOSE**". The screen will display the current time or "00:00" when the drawer is fully closed. If there are mistakes to open or close the drawer, buzzer will sound five times, and the screen will display "**CLOSE OR OPEN**".

## Setting The Clock

1. Press "**CLOCK/KITCHEN TIMER**" once. The first hour figure will flash and other "0" will light.
2. Press the number keys to enter the correct time. The input time should be between 01:00-12:59.
3. Press "**CLOCK/KITCHEN TIMER**" to confirm. The clock is set.

### NOTE

1. In the process of clock setting, if the "**STOP/CANCEL**" is pressed or if there is no operation within 1 minute, the setting is invalid.
2. To reset the clock, please repeat step 1 to step 3.
3. If the clock is not set, it would not work when powered.

## Setting The Kitchen Timer

1. Press "**CLOCK/KITCHEN TIMER**" twice, "00:00" will display.
2. Press the number keys to enter the time. The maximum cooking time is "99:99"
3. Press "**START/+30SEC.**" to confirm. The timer starts counting down.

### NOTE

1. The kitchen timer is differ from 12-hour system. Kitchen Timer is a timer.
2. Any other program can't be set during kitchen timer.
3. "**STOP/CANCEL**" can be pressed to cancel the Kitchen Timer.

## Microwave Cooking

11 power levels are available.

Level	Power	Display
10	100%	PL100
9	90%	PL90

8	80%	PL80
7	70%	PL70
6	60%	PL60
5	50%	PL50
4	40%	PL40
3	30%	PL30
2	20%	PL20
1	10%	PL10
0	0%	PL00

1. Press **"TIME COOK"** once, "00:00" will display.  
Press number keys to enter the cooking time. The maximum cooking time is "99:99".
2. Press **"POWER"** and then press number keys to adjust the power level.  
The 11 power levels are available
3. Press **"START/+30SEC."** to start cooking.

Example: To cook the food with PL50 for 15 minutes.

- Press **"TIME COOK"** once.
- Press "1", "5", "0", "0" in order.
- Press **"POWER"** and then press "5" to select PL50.
- Press **"START/+30SEC."** to start cooking.

#### NOTE

In the process of setting, if the **"STOP/CANCEL"** is pressed or if there is no operation within 1 minute, the setting is invalid.

## Speedy Cooking

1. In standby mode, press **"START/+30SEC."** to cook food with 100% power level for 30 seconds. Each press on the same key can increase 30 seconds.
2. During microwave cooking and defrosting by time, **"START/+30SEC."** can be pressed to increase cooking time. Each press will increase 30 seconds.

#### NOTE

**"START/+30SEC."** cannot be pressed to increase cooking time for defrost by weight and Auto menu.

## Defrost By Weight

1. Press **"DEFROST WEIGHT"** once. **"WEIGHT DEFROST"** will display.
2. Press number keys to input the weight of the food. The input weight should be between 0.1-6.0 lbs.
3. Press **"START/+30SEC."** to start defrosting.
4. Once defrosting has finished, the buzzer will sound five times and "FINISH" will display.

## NOTE

The buzzer will sound to remind you to turn the food over during defrosting. If no operation, the oven will continue working.


### Defrost By Time

1. Press "**DEFROST TIME**" once, "**TIME DEFROST**" will display.
2. Press number keys to set the desired defrost time. The maximum time value is "99:99".
3. Press "**START/+30SEC.**" to start defrosting.
4. Once defrosting has finished, the buzzer will sound five times and "FINISH" will display.

## NOTE

The defrost power is P30.

### Auto Menu--Beverage

1. Press "**BEVERAGE**" once. The screen displays "1". "AUTO MENU" and " " indicators will light.
2. Continue to press "**BEVERAGE**", "1" or "2" will display in order.
3. Press "**START/+30SEC.**" to start cooking. Buzzer sounds once. The cooking time starts counting down. Once cooking has finished, buzzer sounds five times and "FINISH" displays.

### Auto Menu--Popcorn

1. Press "**POPCORN**" once. The screen displays "1.75". "AUTO MENU" and "OZ" indicators will light.
2. Continue to press "**POPCORN**", "1.75", "3" or "3.5" will display in order.
3. Press "**START/+30SEC.**" to start cooking. Buzzer sounds once. The cooking time starts counting down. Once cooking has finished, buzzer sounds five times and "FINISH" displays.

### Auto Menu--Melt

1. Press "**MELT**" once. The screen displays "**BUTTER**". "AUTO MENU" indicator will light.
2. Continue to press "**MELT**", "**BUTTER**", "**CHOCOLA**", "**CHEESE**" or "MARSHMA" will display in order.
3. Press "**START/+30SEC.**" to confirm the selection.
4. Press "**MELT**" to select the weight. "OZ" will light except butter menu.
5. Press "**START/+30SEC.**" to start cooking. Buzzer sounds once. "OZ" will go out. The cooking time starts counting down. Once cooking has finished, buzzer sounds five times and "FINISH" displays.

## The menu chart:

Menu	Display	Weight
Butter/Margarine	BUTTER	1(STICH)
		2(STICHS)
		3(STICHS)
Chocolate	CHOCOLA	4
		8
Cheese	CHEESE	8
		16
Marshmallows	MARSHMA	5
		10

## Auto Menu-Soften

1. Press **"SOFTEN"** once. The screen displays **"BUTTER"**. **"AUTO MENU"** indicator will light.
2. Continue to press **"SOFTEN"**, **"BUTTER"**, **"ICE-CRE"** or **"CHEESE"** will display in order.
3. Press **"START/+30SEC."** to confirm the selection.
4. Press **"SOFTEN"** to select the weight. **"OZ"** will light except butter menu.
5. Press **"START/+30SEC."** to start cooking. Buzzer sounds once. **"OZ"** will go out. The cooking time starts counting down. Once cooking has finished, buzzer sounds five times and **"FINISH"** displays.

Menu	Display	Weight
Butter	BUTTER	1(STICH)
		2(STICHS)
		3(STICHS)
Ice cream/ Frozen juice	ICE-CRE	8
		16
		32
Cream Cheese	CHEESE	3
		8

## Silent mode

To activate the silent mode:

1. Press **"SETUP "** once, the screen displays **"BUZ OFF"**.
2. Press **"START/+30SEC."**. The oven will turn to standby mode. Buzzer is turned off. No beep will sound.



To deactivate the silent mode:

1. Press "**SETUP**" once, the screen displays "BUZ ON".
2. Press "**START/+30SEC.**". The oven will turn to waiting state. Buzzer is turned on. Buzzer will sound normally.

## Lock Function for Children

You can use this function to prevent children from accidentally turning the oven on.

To activate the lock:

In standby mode, press and hold "**STOP/CANCEL**" for three seconds. A beep sounds and the locked icon will display.

To deactivate the lock:

In locked state, press and hold "**STOP/CANCEL**" for three seconds. A beep sounds.

### NOTE

The lock function for children cannot be set when the oven door has opened.

## Inquiring Function

1. If the clock has been set, the current time will display for three seconds by pressing "**CLOCK/KITCHEN TIMER**" in the cooking state.
2. In the microwave cooking state, press "**POWER**" to inquire the power level. It will display for three seconds. In defrosting state and auto menu, the power level cannot be inquired.

## OTHER SPECIFICATIONS


1. The buzzer sounds once by efficient press, inefficient press will be no response.
2. In cooking state, "**OPEN**" cannot be pressed to open the drawer unless "**STOP/CANCEL**" is pressed to pause the cooking. Press "**CLOSE**" to close the drawer. Then "**START/+30SEC.**" must be pressed to continue cooking.
3. If the cooking programme has been set, "**START/+30SEC.**" is not pressed within 1 minute, The setting is invalid.
4. If the oven door is open, the lamp will light until the oven is powered off.

# TROUBLE SHOOTING

Check your problem by using the chart below and try the solutions for each problem. If the microwave oven still does not work properly, contact the nearest authorized service center.

TROUBLE	POSSIBLE CAUSE	POSSIBLE REMEDY
Oven will not start	<ul style="list-style-type: none"> <li>• Electrical cord for oven is not plugged in.</li> <li>• Door is open.</li> <li>• Wrong operation is set.</li> </ul>	<ul style="list-style-type: none"> <li>• Plug into the outlet.</li> <li>• Close the door and try again.</li> <li>• Check instructions.</li> </ul>
Arcing or sparking	<ul style="list-style-type: none"> <li>• Materials to be avoided in microwave oven were used.</li> <li>• The oven is operated when empty.</li> <li>• Spilled food remains in the cavity.</li> </ul>	<ul style="list-style-type: none"> <li>• Use microwave-safe cookware only.</li> <li>• Do not operate with oven empty.</li> <li>• Clean cavity with wet towel.</li> </ul>
Unevenly cooked foods	<ul style="list-style-type: none"> <li>• Materials to be avoided in microwave oven were used.</li> <li>• Food is not defrosted completely.</li> <li>• Cooking time, power level is not suitable.</li> <li>• Food is not turned or stirred.</li> </ul>	<ul style="list-style-type: none"> <li>• Use microwave-safe cookware only.</li> <li>• Completely defrost food.</li> <li>• Use correct cooking time, power level.</li> <li>• Turn or stir food.</li> </ul>
Overcooked foods	<ul style="list-style-type: none"> <li>• Cooking time, power level is not suitable.</li> </ul>	<ul style="list-style-type: none"> <li>• Use correct cooking time, power level.</li> </ul>
Undercooked foods	<ul style="list-style-type: none"> <li>• Materials to be avoided in microwave oven were used.</li> <li>• Food is not defrosted completely.</li> <li>• Oven ventilation ports are restricted.</li> <li>• Cooking time, power level is not suitable.</li> </ul>	<ul style="list-style-type: none"> <li>• Use microwave-safe cookware only.</li> <li>• Completely defrost food.</li> <li>• Check to see that oven ventilation ports are not restricted.</li> <li>• Use correct cooking time, power level.</li> </ul>
Improper defrosting	<ul style="list-style-type: none"> <li>• Materials to be avoided in microwave oven were used.</li> <li>• Cooking time, power level is not suitable.</li> <li>• Food is not turned or stirred.</li> </ul>	<ul style="list-style-type: none"> <li>• Use microwave-safe cookware only.</li> <li>• Use correct cooking time, power level.</li> <li>• Turn or stir food.</li> </ul>

# TRADEMARKS, COPYRIGHTS AND LEGAL STATEMENT

 Midea logo, word marks, trade name, trade dress and all versions thereof are valuable assets of Midea Group and/or its affiliates (“Midea”), to which Midea owns trademarks, copyrights and other intellectual property rights, and all goodwill derived from using any part of an Midea trademark. Use of Midea trademark for commercial purposes without the prior written consent of Midea may constitute trademark infringement or unfair competition in violation of relevant laws.

This manual is created by Midea and Midea reserves all copyrights thereof. No entity or individual may use, duplicate, modify, distribute in whole or in part this manual, or bundle or sell with other products without the prior written consent of Midea.

All the described functions and instructions were up to date at the time of printing this manual. However, the actual product may vary due to improved functions and designs.

# DATA PROTECTION NOTICE

For the provision of the services agreed with the customer, we agree to comply without restriction with all stipulations of applicable data protection law, in line with agreed countries within which services to the customer will be delivered.

Generally, our data processing is to fulfil our obligation under contract with you and for product safety reasons, to safeguard your rights in connection with warranty and product registration questions. In some cases, but only if appropriate data protection is ensured, personal data might be transferred to recipients located outside of the European Economic Area.

Further information are provided on request. You can contact our Data Protection Officer via **MideaDPO@midea.com**. To exercise your rights such as right to object your personal data being processed for direct marketing purposes, please contact us via **MideaDPO@midea.com**. To find further information, please follow the QR Code.









*make yourself at home*



[www.midea.com](http://www.midea.com)

© Midea 2022 all rights reserved

PN:16170000A98282