



INSTRUCTION MANUAL

Microwave Oven
Model: MMO19S3AST

Power supply: 120V~
Frequency: 60Hz

Warning:
Before using this product, please read this manual carefully and keep it for future reference. The design and specifications are subject to change without prior notice for product improvement. Consult with your dealer or manufacturer for details.

Free 3 months extension* of the original limited warranty period! Simply text a picture of your proof of purchase to:

1-844-224-1614

*The warranty extension is for the three months immediately following the completion of the product's original warranty period.

Dear user

THANK YOU and CONGRATULATIONS on your purchase of this high-quality Midea product. Your Midea Microwave Oven represents the state of the art, and is designed for reliable, trouble-free performance. Please take a moment to register your new Microwave Oven.

Register your new Microwave Oven at www.midea.com under the Support tab.

For future reference, record your product model and serial numbers located on the inside frame of the Microwave Oven.

Model Number _____

Serial Number _____

Contents

Precautions to avoid possible Exposure to excessive microwave Energy.....	3
Specifications.....	3
Important safety instructions.....	4
Grounding instructions.....	6
Radio interference.....	7
Utensils.....	7
Part names.....	9
Control panel.....	10
Manual cooking.....	11
Sensor cooking.....	16
One touch cook.....	20
Auto cooking.....	24
Auto defrost.....	29
Convenient features.....	34
Maintenance.....	42

PRECAUTIONS TO AVOID POSSIBLE EXPOSURE TO EXCESSIVE MICROWAVE ENERGY

- (a) Do not attempt to operate this oven with the door open since open door operation can result in harmful exposure to microwave energy. It is important not to defeat or tamper with the safety interlocks.
- (b) Do not place any object between the oven front face and the door or allows food residue to build up between the oven and door.
- (c) Do not operate the oven if it is damaged. It is particularly important that the oven door close properly and that there is no damage to the:
 - (1) DOOR (bent)
 - (2) HINGES AND LATCHES (broken or loosened)
 - (3) DOOR SEALS AND SEALING SURFACES
- (d) The oven should not be adjusted or repaired by anyone except properly qualified service personnel.

Specifications

Model:	MMO19S3AST
Rated Voltage:	120V-60Hz
Rated Input Power(Microwave):	1550 W
Rated Output Power(Microwave):	1000 W

IMPORTANT SAFETY INSTRUCTIONS

WARNING

When using electrical appliances basic safety precautions should be followed, including the following:

WARNING - To reduce the risk of burns, electric shock, fire, injury to persons or exposure to excessive microwave energy:

1. Read all instructions before using the appliance.
2. Read and follow the specific: "PRECAUTIONS TO AVOID POSSIBLE EXPOSURE TO EXCESSIVE MICROWAVE ENERGY " found on page 3.
3. This appliance must be grounded. Connect only to properly grounded outlet. See "GROUNDING INSTRUCTIONS" found on page 6.
4. Install or locate this appliance only in accordance with the provided installation instructions.
5. Some products such as whole eggs and sealed containers - for example, closed glass jars - are able to explode and should not be heated in this oven.
6. Use this appliance only for its intended use as described in the manual. Do not use corrosive chemicals or vapors in this appliance. This type of oven is specifically designed to heat, cook or dry food. It is not designed for industrial or laboratory use.
7. As with any appliance, close supervision is necessary when used by children.
8. Do not operate this appliance if it has a damaged cord or plug, if it is not working properly, or if it has been damaged or dropped.
9. This appliance should be serviced only by qualified service personnel. Contact nearest authorized service facility for examination, repair, or adjustment.
10. Do not cover or block any openings on the appliance.
11. Do not store this appliance outdoors. Do not use this product near water- for example, near a kitchen sink, in a wet basement, near a swimming pool, or similar location.
12. Do not immerse cord or plug in water.
13. Keep cord away from heated surface.
14. Do not let cord hang over edge of table or counter.
15. When cleaning surfaces of door and oven, use only mild, nonabrasive soaps, or detergent applied with a sponge or soft cloth.
16. To reduce the risk of fire in the oven cavity:
 - 1). Do not overcook food. Carefully attend appliance when paper, plastic, or other combustible materials are placed inside the oven to facilitate cooking.
 - 2). Remove wire twist-ties from paper or plastic bag before placing bag in oven.

- 3). If material inside of the oven ignite, keep oven door closed, turn oven off, and disconnect the power cord, or shut off power at the fuse or circuit breaker panel.
- 4). Do not use the cavity for storage purposes. Do not leave paper products, cooking utensils, or food in the cavity when not in use.
17. Liquids: such as water, coffee, or tea are able to be overheated beyond the boiling point without appearing to be boiling. Visible bubbling or boiling when the container is removed from the microwave oven is not always present.
THIS COULD RESULT IN VERY HOT LIQUID SUDDENLY BOILING OVER WHEN THE CONTAINER IS DISTURBED OR A UTENSIL IS INSERTED INTO THE LIQUID.
To reduce the risk of injury to persons:
 - 1) Do not overheat the liquid.
 - 2) Stir the liquid both before and halfway through heating it.
 - 3) Do not use straight-sided containers with narrow necks.
 - 4) After heating, allow the container to stand in the microwave oven for a short time before removing the container.
 - 5) Use extreme care when inserting a spoon or other utensil into the container.
18. Do not operate any heating or cooking appliance beneath the appliance. (Exception: A microwave oven qualified for such as lye based above another heating appliance.)
19. Do not mount unit over or near any portion of heating or cooking appliance. (Exception: A microwave oven qualified for use above another heating appliance.)
20. Do not mount over a sink.
21. Do not store anything directly on top of the appliance surface when the appliance is in operation.
22. Clean Ventilation Hoods Frequently - Do not let grease accumulate on the hood or filter.
23. When cooking food on the stove top under the oven, turn on the fan.
24. Use care when cleaning the vent-hood filter. Corrosive cleaning agents, such as lye-based oven cleaners, may damage the filter.
25. Suitable for use above both gas and electric cooking equipment.

SAVE THESE INSTRUCTIONS

GROUNDING INSTRUCTIONS

This appliance must be grounded. In the event of an electrical short circuit, grounding reduces the risk of electric shock by providing an escape wire for the electric current. This appliance is equipped with a cord having a grounding wire with a grounding plug. The plug must be plugged into an outlet that is properly installed and grounded.



WARNING

WARNING - Improper use of the grounding can result in a risk of electric shock.

Consult a qualified electrician or serviceman if the grounding instructions are not completely understood, or if doubt exists as to whether the appliance is properly grounded. If it is necessary to use an extension cord, use only a 3-wire extension cord that has a 3-blade grounded plug, and 3-slot receptacle that will accept the plug on the appliance. The marked rating of the extension cord shall be equal to or greater than the electrical rating of the appliance.

DANGER - Electric Shock Hazard

Touching some of the internal components can cause serious personal injury or death.

Do not disassemble this appliance.

WARNING - Electric Shock Hazard

Improper use of the grounding can result in electric shock. Do not plug into an outlet until appliance is properly installed and grounded.

1. A short power supply cord is provided to reduce the risks resulting from becoming entangled in or tripping over a longer cord.
2. Longer cord sets or extension cords are available and may be used if care is exercised in their use.
3. If a long cord or extension cord is used:
 - 1) The marked electrical rating of the cord set or extension cord should be at least as great as the electrical rating of the appliance.
 - 2) The extension cord must be a grounding-type 3-wire cord.
 - 3) The longer cord should be arranged so that it will not drape over the counter top or tabletop where it can be pulled on by children or tripped over unintentionally.

RADIO INTERFERENCE

1. Operation of the microwave oven may cause interference to your radio, TV or similar equipment.
2. When there is interference, it may be reduced or eliminated by taking the following measures:
 - 1) Clean door and sealing surface of the oven
 - 2) Reorient the receiving antenna of radio or television.
 - 3) Relocate the microwave oven with respect to the receiver.
 - 4) Move the microwave oven away from the receiver.
 - 5) Plug the microwave oven into a different outlet so that microwave oven and the other device are on different branch circuits.

UTENSILS

CAUTION - Personal Injury Hazard

Tightly-closed utensils could explode. Closed containers should be opened and plastic pouches should be pierced before cooking.

See the instructions on "Materials you can use in microwave oven or to be avoided in microwave oven."

There may be certain non-metallic utensils that are not safe to use for microwaving. If in doubt, you can test the utensil in question following the procedure below.

Utensil Test:

1. Fill a microwave-safe container with 1 cup of cold water (250ml) along with the utensil in question.
2. Cook on maximum power for 1 minute.
3. Carefully feel the utensil. If the empty utensil is warm, do not use it for microwave cooking.
4. Do not exceed 1 minute cooking time.

Materials you can use in microwave oven

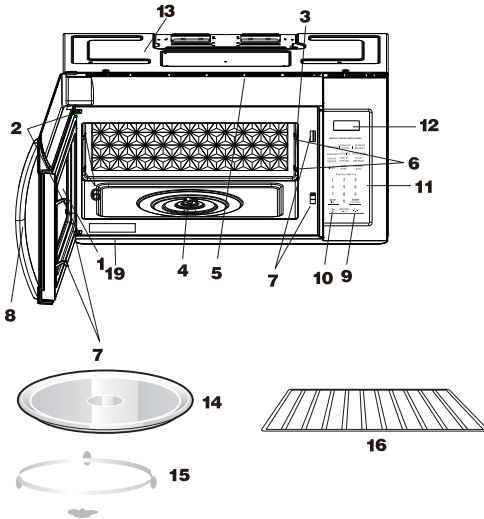
Utensils	Remarks
Browning dish	Follow manufacturer* instructions. The bottom of browning dish must be at least 3/16 inch (5mm) above the turntable. Incorrect usage may cause the turntable to break.
Dinnerware	Microwave-safe only. Follow manufacturer's instructions. Do not use cracked or chipped dishes.
Glass jars	Always remove lid. Use only to heat food until just warm. Most glass jars are not heat resistant and may break.
Glassware	Heat-resistant oven glassware only. Make sure there is no metallic trim. Do not use cracked or chipped dishes.
Oven cooking bags	Follow manufacturer* instructions. Do not close with metal tie. Make slits to allow steam to escape.
Paper plates and cups	Use for short-term cooking/warming only. Do not leave oven unattended while cooking.
Paper towels	Use to cover food for reheating and absorbing fat. Use with supervision for short-term cooking only.
Parchment paper	Use as a cover to prevent splattering or a wrap for steaming.
Plastic	Microwave-safe only. Follow the manufacturer* instructions. Should be labeled "Microwave Safe". Some plastic containers soften, as the food inside gets hot. "Boiling bags" and tightly closed plastic bags should be slit, pierced or vented as directed by package.
Plastic wrap	Microwave-safe only. Use to cover food during cooking to retain moisture. Do not allow plastic wrap to touch food.
Thermometers	Microwave-safe only (meat and candy thermometers).
Wax paper	Use as a cover to prevent splattering and retain moisture.

Materials to be avoided in microwave oven

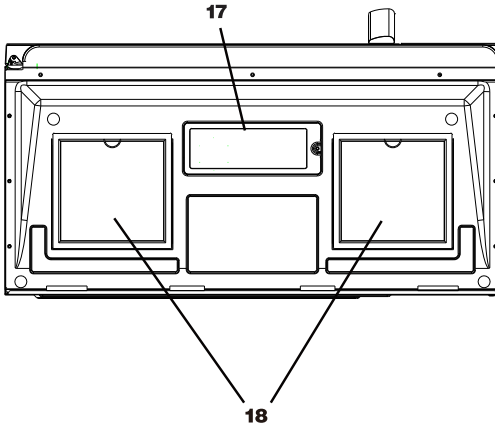
Utensils	Remarks
Aluminum tray	May cause arcing. Transfer food into microwave-safe dish.
Food carton with metal handle	May cause arcing. Transfer food into microwave-safe dish.
Metal or metaltrimmed utensils	Metal shields the food from microwave energy. Metal trim may cause arcing.
Metal twist ties	May cause arcing and could cause a fire in the oven.
Paper bags	May cause a fire in the oven.
Plastic foam	Plastic foam may melt or contaminate the liquid inside when exposed to high temperature.
Wood	Wood will dry out when used in the microwave oven and may split or crack.

PART NAMES

FRONT VIEW



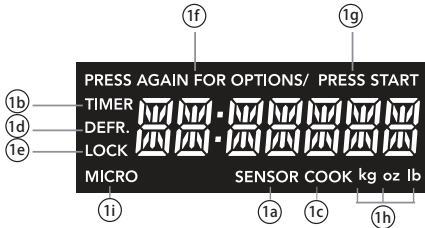
BOTTOM VIEW



1. Microwave oven door with see-through window
2. Door hinges
3. Waveguide cover:
DO NOT REMOVE.
4. Turntable motor shaft
5. Microwave oven light
It will light when microwave oven is operating or door is open.
6. Rack holders
7. Safety door latches
The microwave oven will not operate unless the door is securely closed.
8. Handle
9. Light hi/lo/off pad
Press the **light hi/lo/off** pad once for high, twice for low and three times to turn off the light.
10. Vent hi/lo/off pad
Press the **vent hi/lo/off** pad once for high speed, twice for low speed and three times to turn off the fan.
11. Auto-Touch control panel
12. Time display: Digital display, 99 minutes, 99 seconds
13. Ventilation openings
14. Removable turntable
The turntable will rotate clockwise or counterclockwise. Only remove for cleaning.
15. Removable turntable support
First, carefully place the turntable support in the motor shaft in the center of the microwave oven floor. Place the support ring on the microwave oven floor. Then, place the turntable on the turntable support securely.
16. Rack for 2-level cooking/ reheating
17. Light cover
18. Grease filters
19. Menu label

CONTROL PANEL

The 7-digit interactive display spells out operating steps and shows cooking hints.



(1) Display:

The display includes a clock and indicators that show the time of day, cooking time settings, cook powers, sensor, quantities, weights and cooking functions selected.

1a. SENSOR:

Icon displayed when using sensor cook.

1b. TIMER:

Icon displayed when timer is being set or running.

1c. COOK:

Icon displayed when starting microwave cooking.

1d. DEFR:

Icon displayed when defrosting food.

1e. LOCK:

Icon displayed control lock.

1f. PRESS AGAIN FOR OPTIONS:

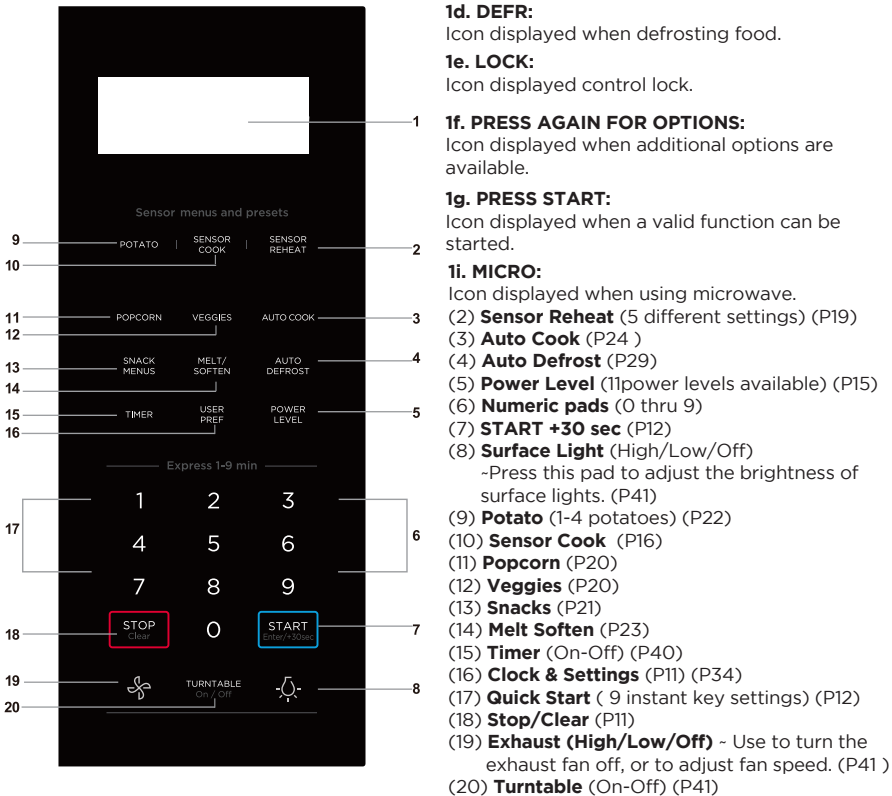
Icon displayed when additional options are available.

1g. PRESS START:

Icon displayed when a valid function can be started.

1i. MICRO:

Icon displayed when using microwave.



(2) **Sensor Reheat** (5 different settings) (P19)

(3) **Auto Cook** (P24)

(4) **Auto Defrost** (P29)

(5) **Power Level** (11power levels available) (P15)

(6) **Numeric pads** (0 thru 9)

(7) **START +30 sec** (P12)

(8) **Surface Light** (High/Low/Off)

-Press this pad to adjust the brightness of surface lights. (P41)

(9) **Potato** (1-4 potatoes) (P22)

(10) **Sensor Cook** (P16)

(11) **Popcorn** (P20)

(12) **Veggies** (P20)

(13) **Snacks** (P21)

(14) **Melt Soften** (P23)

(15) **Timer** (On-Off) (P40)

(16) **Clock & Settings** (P11) (P34)

(17) **Quick Start** (9 instant key settings) (P12)

(18) **Stop/Clear** (P11)

(19) **Exhaust (High/Low/Off)** - Use to turn the exhaust fan off, or to adjust fan speed. (P41)

(20) **Turntable** (On-Off) (P41)

Note:For detailed information, please go to relative page listed above.

- Before operating your new oven make sure you read and understand this Use and Care Guide completely.
- The clock can be disabled when the microwave is first plugged in and the STOP key is selected.
To re-enable the clock follow clock instructions.

To Set the Clock

- Suppose you want to enter the correct time of day 10:59

Touch :	Display Shows:
1. User pref	<small>PRESS AGAIN FOR OPTIONS/</small> 12:00 ENTER TIME
2. ① ② ⑤ ⑨	<small>PRESS START</small> 10:59
3. "Start/Enter/+30 Sec"	10:59

NOTE

1. If you begin to enter in an incorrect time (e.g. 2:89) the 8 is an invalid digit and cannot be entered. Enter the correct time.
2. If you touch "Stop Clear" while setting the clock, the display will show the last time of day set or a blank display if no time of day has been set.

MANUAL COOKING

Time Cooking

Your Over the Range Microwave Oven can be programmed for 99 minutes 99 seconds (99 :99). Always enter the seconds after the minutes, even if they are both zeros.

- Suppose you want to cook for 5 minutes, 30 seconds at 100% power,

Touch :	Display Shows:
1. ⑤ ③ ①	5:30 <small>PRESS START</small>
2. "Start/Enter/+30 Sec"	5:30 <small>COOK</small> Time counting down

Interrupting Cooking

You can stop the oven during a cycle by opening the door. The oven stops heating and the fan turns off, but the light stays on. To restart cooking, close the door and touch " Start/Enter/ " +30 Sec " .

If you do not want to continue cooking, open the door and touch "Stop Clear"

Using One Touch Start

This is a time saving pad that will automatically start cooking 2 seconds after the numeric key is selected. Press 1 for 1 minute, 2 for two minutes, all the way to 9 for nine minutes.

Touch :	Display Shows:
1. ②	2:00 <small>COOK</small> Time counting down

Using Add 30 Sec.

This is a time-saving pad. It is a simplified feature that lets you quickly set and start microwave cooking at 100% power.

- Suppose you want to cook for one minute.

Touch :	Display Shows:
1. "Start/Enter/+30 Sec"	:30 <small>COOK</small>
2. "Start/Enter/+30 Sec"	1:00 <small>COOK</small> Time counting down

NOTE

"Food" will be displayed if a quick start cooking cycle or +30 sec key is not selected within 5 minutes of placing food in the microwave. You must open then close the door again to clear "Food" from the display.

Setting Timed Cooking With Power Level

This feature lets you program a specific cook time and power. For best results, there are 10 power level settings in addition to HIGH (100%) power.

- Suppose you want to cook for 5 minutes, 30 seconds at 80% power.

Touch :	Display Shows:
1. ⑤ ③ ①	5:30 ^{PRESS START}
2. "Power Level" 3 times	PL-80 ^{PRESS START}
3. "Start/Enter/+30 Sec"	5:30 ^{COOK} Time counting down

NOTE

If you do not select a power level, the oven will automatically cook at HIGH (100%) power.

Setting Two-Stage Cooking

For best results, some recipes call for different power levels during a cook cycle. You can program your oven for two power level stages during the cooking cycle.

- Suppose you want to set a 2-stage cook cycle. The first stage is a 3 minute cook time at 80% cook power then a 7 minute cook time at 50% cook power.

Touch :

Display Shows:

1. ③ ① ①

To set a 3 minute
cook time for first
stage.

PRESS START
3:00

2. "Power Level" 3 times

PRESS START
PL-80

3. ⑦ ① ①

To set a 7 minute
cook power for the
second stage.

PRESS START
7:00

4. "Power Level" 6 times

PRESS START
PL-50

NOTE

You can program a "0" power second stage for standing time inside the oven.

5. "Start/Enter/+30 Sec"

COOK
3:00

Time counting down

To Set Power Level

There are eleven preset power levels.

Using lower power levels increases the cooking time which is recommended for foods such as cheese, milk and long slow cooking of meats. Consult cookbook or recipes for specific recommendations.

PRESS POWER LEVEL PAD NUMBER OF TIMES FOR DESIRED POWER	APPROXIMATE PERCENTAGE OF POWER	COMMON WORDS FOR POWER LEVELS
POWER LEVEL x 1	100%	High
POWER LEVEL x 2	90%	
POWER LEVEL x 3	80%	
POWER LEVEL x 4	70%	Medium High
POWER LEVEL x 5	60%	
POWER LEVEL x 6	50%	Medium
POWER LEVEL x 7	40%	
POWER LEVEL x 8	30%	Med Low/Defrost
POWER LEVEL x 9	20%	
POWER LEVEL x 10	10%	Low
POWER LEVEL x 11	0%	

Using the Rack

The rack allows several foods to be cooked or reheated at one time. However, for the best cooking and reheating, use Turntable ON function and cook with SENSOR COOKING or AUTO COOKING without the rack. When the rack is used, set time and power level manually. Allow plenty of space around and between the dishes. Pay close attention to the cooking and reheating progress. Reposition the foods and reverse them from the rack to turntable and/or stir them at least once during any cooking or reheating time. After cooking or reheating, stir if possible. Using a lower power level will assist in better cooking and reheating uniformity.

Avoid:

- Storing the rack in the microwave oven when not in use.
- Popping popcorn with the rack in the microwave oven.
- Using any browning dish on the rack.
- Using SENSOR COOKING and AUTO COOKING with the rack.
- Cooking directly on the rack—use microwave-safe cookware.

NOTE

Turntable on/off function can be used in Manual Operation. See page 41.

Manual Defrost

If the food that you wish to defrost is not listed on the Defrost chart or is above or below the limits in the amount column on the Defrost chart (see page 31-32), you need to defrost manually.

You can defrost any frozen food, either raw or previously cooked, by using power level for 30%.

For either raw or previously cooked frozen food cook approximately 4 minutes per pound. For example, defrost 4 minutes for 1 pound of frozen spaghetti sauce.

Always stop the oven periodically to remove or separate the portions that are defrosted. If food is not defrosted at the end of the estimated defrosting time, program the oven in 1 minute increments on power level 30% until totally defrosted.

When using plastic containers from the freezer, defrost only long enough to remove from the plastic in order to place in a microwave-safe dish.

SENSOR COOKING

Sensor cooking has an electronic controlled sensor that detects the vapor (moisture and humidity) emitted from the food as it heats. The sensor adjusts the cooking times and power level for various foods and quantities automatically.

Using Sensor Settings:

1. Be sure the exterior of the cooking container and the interior of the oven are dry. Wipe off any moisture with a dry cloth or paper towel.
2. The oven works with foods at normal storage temperature. For example, popcorn would be at room temperature.
3. More or less food than the quantity listed in the chart should be cooked following the guidelines in any microwave cookbook.

4. During the first part of SENSOR COOKING, food name will appear in the display. Do not open the oven door or press the **STOP clear** pad during this part of the cycle. The measurement of vapor will be interrupted.

When the sensor detects the vapor emitted from the food, remainder of cooking time will appear. Door may be opened when remaining cooking time appears in the display. At this time, you may stir or season food, as desired.

5. If the sensor does not detect vapor properly when popping popcorn, the oven will turn off, and the correct time of day will be displayed. If the sensor does not detect vapor properly when cooking other foods, AN ERROR CODE will be displayed, and the oven will turn off.
6. Check food for temperature after cooking. If additional time is needed, continue to cook manually.

Covering Foods:

You may use the following to cover your foods:

1. Casserole lid.
2. Plastic wrap: Use plastic wrap recommended for microwave cooking. Cover dish loosely; allow approximately 1/2 inch to remain uncovered to allow steam to escape. Plastic wrap should not touch food.
3. Wax paper: Cover dish completely; fold excess wrap under dish to secure. If dish is wider than paper, overlap two pieces at least one inch to cover.

Be careful when removing any covering to allow steam to escape away from you.


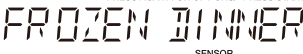



NOTES FOR SENSOR COOKING

1. The final cooking result will vary according to the food condition (e.g. initial temperature, shape, quality). Check food for temperature after cooking. If additional time is needed, continue to cook manually.
2. Stay near the oven while it's in use and check cooking progress frequently so that there is no chance of overcooking food.
3. When SENSOR COOKING is selected Turntable On is automatically set for optimum cooking.

Sensor Cook

You can cook foods by pressing the **sensor cook** pad multiple times. You don't need to calculate cooking time or power level.







- Suppose you want to cook frozen breakfast

Touch :	Display Shows:
1. "Sensor Cook"	<small>PRESS AGAIN FOR OPTIONS/ PRESS START</small>  <small>SENSOR</small>
2. "Sensor Cook"	<small>PRESS AGAIN FOR OPTIONS/ PRESS START</small>  <small>SENSOR</small>
3. "Sensor Cook"	<small>PRESS AGAIN FOR OPTIONS/ PRESS START</small>  <small>SENSOR</small>
4. "Sensor Cook"	<small>PRESS AGAIN FOR OPTIONS/ PRESS START</small>  <small>SENSOR</small>
5. "Start/Enter/+30 Sec"	 <small>SENSOR COOK</small>

Sensor Cook chart

FOOD	AMOUNT	PROCEDURE
1. Bacon	1-3 slices	Place bacon strips on a microwave bacon rack for best results. (Use dinner plate lined with paper towels if rack is not available).
2. Frozen Dinner	10 oz./ 20 oz.	Place in an appropriately sized microwave container. Cover with plastic wrap . After cooking, stir and allow to stand for 3 minutes.
3. Rice	1-2 cups	Place rice and twice as much liquid (water, chicken or vegetable stock) in a 2 quart microwave dish. Cover with plastic wrap and vent. After cooking, allow to stand for 10 minutes. Stir for fluffier rice.
4. Frozen Breakfast	8-12 oz.	Place in an appropriately sized microwave container. Cover with plastic wrap . After cooking, stir and allow to stand for 3 minutes.

Sensor Reheat

Touch :	Display Shows:
1. "Sensor Reheat"	<small>PRESS AGAIN FOR OPTIONS/ PRESS START</small> 
2. "Sensor Reheat"	<small>PRESS AGAIN FOR OPTIONS/ PRESS START</small> 
3. "Sensor Reheat"	<small>PRESS AGAIN FOR OPTIONS/ PRESS START</small> 
4. "Sensor Reheat"	<small>PRESS AGAIN FOR OPTIONS/ PRESS START</small> 
5. "Sensor Reheat"	<small>PRESS AGAIN FOR OPTIONS/ PRESS START</small> 
6. "Start/Enter/+30 Sec"	

Sensor Reheat chart

FOOD	AMOUNT	PROCEDURE
Beverage	1 - 3 cups	To reheat beverages. Stir liquid briskly before and after heating to avoid eruption.
Dinner Plate	1-2 Plates	Place on a low plate. Cover with vented plastic wrap. Let stand 3 minutes after cooking.
Soup/Sauce	1 Cup	Place in shallow microwavable casserole. Cover with vented plastic wrap. After cooking, stir and let stand 3 minutes.
Casserole/Lasagna	10.5 Oz	Place in a microwavable bowl or casserole. Cover with vented plastic wrap. After cooking, stir and let stand 3 minutes.
Roll/Muffin	1-3 Pieces	Place on paper towel. Do not cover.

ONE TOUCH COOKING

Popcorn

The Popcorn button on the quick touch pad lets you pop 3.3, 3.0, or a 1.75 ounce bag of commercially packaged microwave popcorn. Pop only one package at a time. If you are using a microwave popcorn popper, follow manufacturer's instructions.

- Suppose you want to pop a 3.3 oz. popcorn.

Touch :	Display Shows:
---------	----------------

1. "Popcorn"	<small>PRESS AGAIN FOR OPTIONS/ PRESS START</small> 3.3 <small>oz</small>
--------------	---

2. "Start/Enter/+30 Sec"	POPCORN <small>COOK</small> Time counting down
--------------------------	--

Amount	Press popcorn pad
3.30oz.	once
3.00 oz.	2 times
1.75 oz.	3 times

Veggies

There are 2 options (Frozen Vegetables , Fresh Vegetables) under the Veggies.

- Suppose you want to cook two cups of frozen veggies.

Touch :	Display Shows:
---------	----------------

1. "Veggies"	<small>PRESS AGAIN FOR OPTIONS/ PRESS START</small> FRESH
--------------	--

2. "Veggies"	<small>PRESS AGAIN FOR OPTIONS/ PRESS START</small> FROZEN
--------------	---

3. "Start/Enter/+30 Sec"	FROZEN VEGGIES <small>COOK</small> Time counting down
--------------------------	---

NOTES

1. Remove the metal shelf from the microwave oven when cooking popcorn. Do not use regular paper bags. Do not re-pop un-popped kernels. Do not pop popcorn in glass cookware.

Vegetables chart

FOOD (Initial temperature)	AMOUNT	PROCEDURE
1. Frozen Veggies (-0.4F)	2 Cups	No need to add water. Cover contents with lid or plastic wrap. Press the vegetables button two times for Frozen Vegetables. After cooking, stir and let stand, covered for 3 minutes.
2. Fresh Veggies (41F) Broccoli Brussels sprouts Cabbage Cauliflower (flowerets) Cauliflower (whole) Spinach Zucchini	2 Cups	Wash and place in casserole. Add no water if vegetables have just been washed. Cover with lid for tender vegetables. Use plastic wrap for tender-crisp vegetables. Press the vegetables button once one time for Fresh Vegetables. After cooking, stir, Let stand, covered, for 2 to 5 minutes.
Carrots, sliced Corn on cob Green beans Winter squash - diced - halves		Wash and place in casserole. Add 1-4 tbsp. water. Cover with lid for tender vegetables. Use plastic wrap cover for tender-crisp vegetables. Press the vegetables button one time for fresh vegetables. After cooking stir, Let stand, covered, for 2 to 5 minutes.

Snack Menu

Snack Menu is for cooking/heating foods that take a short amount of time.

- Suppose you want to reheat 3 hot dogs.

Touch :

Display Shows:

1. "Snack Menus "

PRESS AGAIN FOR OPTIONS/ PRESS START
FROZEN PIZZA

2. Snack Menus

PRESS AGAIN FOR OPTIONS/ PRESS START
HOT DOGS

3. "Start/Enter/+30 Sec"

1-6

Touch :

Display Shows:

4. ③

PRESS START
3

5. "Start/Enter/+30 Sec"

HOT 3005
COOK

Time counting down

Snack Menu chart

FOOD	AMOUNT	PROCEDURE
1. Frozen MW Pizza	(6 - 8 oz)	Use for frozen microwave pizza. Remove from package and unwrap. Follow package directions for use of package and/or silver crisping disk.
2. Hot Dogs	1 - 6 Pieces	Place hot dog in bun. Wrap each with paper towel or napkin.
3. Meal in a Cup	2.39 oz	This setting is ideal for individual portions of canned food packed in a small microwaveable container, usually 6 to 8 ounces. After cooking, stir food and allow to stand 1 or 2 minutes.
4. Frozen kids Meals	8.8 oz	Use this button for frozen, convenience foods. Remove package from outer wrapping and follow package directions for cooking. After cooking, let stand, covered for 1 to 3 minutes. This setting will provide satisfactory results for most frozen meals.

Potato

- Suppose you want to cook 1 to 4 baked Potatoes.

Touch :

Display Shows:

1. "Potato"

PRESS START
POTATO
SENSOR

2. "Start/Enter/+30 Sec"

POTATO
SENSOR COOK

NOTES

1. Cooking times are based on an average 8 ounce potato.

Baked Potato chart

FOOD	AMOUNT	PROCEDURE
Potato*	1-4 servings	Pierce with fork in several places. Place on a paper towel on the turntable. After cooking, remove from oven and let stand for 5 minutes.

* It is not necessary to enter amount or number.

Setting Melt/Soften

The oven uses low power to melt and soften items. See the following table.

- Suppose you want to melt 2 sticks of butter.

Touch :	Display Shows:
1. "Melt/Soften"	<small>PRESS AGAIN FOR OPTIONS/ PRESS START</small> MELT BUTTER
2. "Start/Enter/+30 Sec"	ENTER 1-2 STK
3. ②	<small>PRESS START</small> 2 STICK
4. "Start/Enter/+30 Sec"	MELT BUTTER <small>COOK</small> Time counting down

Melt Table

CATEGORY	AMOUNT	DIRECTION
MELT BUTTER	1 or 2 sticks	Unwrap and place in microwavable container. No need to cover butter. Stir at the end of cooking to complete melting.
MELT CHOCOLATE	2, 4 or 8 oz.	Chocolate chips or squares of baking chocolate may be used. Unwrap squares and place in microwavable container. Stir at the end of cooking to complete melting.
SOFTEN ICE CREAM	Pint, 1.5 Quart.	Place container in oven. Icecream will be soft enough to make scooping easier.

MELT TABLE

CATEGORY	AMOUNT	DIRECTION
SOFTEN CREAM CHEESE	3 or 8 oz.	Unwrap and place in microwavable container. Cream cheese will be at room temperature and ready for use in recipe.

AUTO COOKING

Auto Cook

Auto cook is divided into 2 parts-Quick Meals (Scrambled Eggs, Hot Cereal, Frozen Pizza, Fudge Brownies) and Dinner Recipes (Garlic Shrimp, Asiago Red Potatoes, Roasted Vegetable Medley, Lemon and Shrimp Risotto, White Chicken Chili).

Key	Food	Amount
Auto Cook x1	Scrambled Eggs	1 - 6 Eggs
Auto Cook x2	Hot Cereal	1 - 3 Servings
Auto Cook x3	Frozen Pizza	12 oz
Auto Cook x4	Fudge Brownies	18-19 oz
Auto Cook x5	Garlic Shrimp	Per Recipe
Auto Cook x6	Stuffed Mushrooms	Per Recipe
Auto Cook x7	Asiago Red Potatoes	Per Recipe
Auto Cook x8	Roasted Vegetable Medley	Per Recipe
Auto Cook x9	Lemon Shrimp Risotto	Per Recipe
Auto Cook x10	White Chicken Chili	Per Recipe

Quick Meals

- Suppose you want to cook Hot Cereal for 3 serving

Touch :

Display Shows:

1. "Auto Cook"

PRESS AGAIN FOR OPTIONS/ PRESS START
SCRAMBLED EGGS

2. "Auto Cook"

PRESS AGAIN FOR OPTIONS/ PRESS START
HOT CEREAL

Touch :

Display Shows:

3. "Start/Enter/+30 Sec"

1-3 SERVING

4. ③

3 SERVINGS PRESS START

5. "Start/Enter/+30 Sec"

HOT CEREAL COOK
Time counting down

NOTES

When "AUTO COOKING" selected, Turntable On is automatically set for optimal cooking.

Quick Meals chart

FOOD	AMOUNT	PROCEDURE
1. Scrambled Eggs	1 - 6 eggs	Use for frozen Eggs, Hot Cereal, Pizza, Remove from package and unwrap. Follow package directions for use of package and/or silver crisping disk.
2. Hot Cereal	1- 3 servings	Place hot dog in bun. Wrap each with paper towel or napkin.
3. Frozen Pizza	12 oz	This setting is ideal for individual portions of canned food packed in a small microwaveable container, usually 6 to 8 ounces. Remove inner metal lid and replace outer microwaveable lid. After cooking, stir food and allow to stand 1 or 2 minutes.
4. Fudge Brownies	18-19 oz	Prepare brownie mix according to package directions. Spoon batter into an 8 x 8 inch microwave safe glass dish that has been coated with cooking spray. Select "Fudge Brownies" under the Auto Cook menu.

Dinner Recipes

- Suppose you want to cook Garlic shrimp.

Touch :

Display Shows:

1. "Auto Cook"

PRESS AGAIN FOR OPTIONS/ PRESS START
SCRAMBLED EGGS

2. "Auto Cook"

PRESS AGAIN FOR OPTIONS/ PRESS START
HOT CEREAL

3. "Auto Cook"

PRESS AGAIN FOR OPTIONS/ PRESS START
FROZEN PIZZA

4. "Auto Cook"

PRESS AGAIN FOR OPTIONS/ PRESS START
FUDGE BROWNIES

5. "Auto Cook"

PRESS AGAIN FOR OPTIONS/ PRESS START
GARLIC SHRIMP

6. "Start/Enter/+30 Sec"

COOK
GARLIC SHRIMP
Time counting down

Dinner Recipes

Garlic Shrimp

- ¼ cup butter
- 6 cloves garlic, minced
- 2 tablespoons chopped fresh chives
- 2 tablespoons lemon juice
- 1 tablespoon chili pepper paste
- Salt to taste
- 1 pound raw, peeled and deveined large shrimp

Place butter in a 2 quart microwave safe casserole dish with lid. Microwave on High power for 1 minute or until butter is melted. Stir in garlic, and microwave for an additional 1 minute. Stir in chives, lemon juice, chili pepper paste, and salt. Add shrimp, tossing to coat evenly. Cover, and microwave on High power for 5 minutes, or until shrimp is opaque, stirring after 3 minutes. Serve over hot cooked rice if desired.

Stuffed Mushrooms

1 pound whole baby bella mushrooms
2 tablespoons butter, melted
1 bunch green onion, chopped
¼ cup shredded Parmesan cheese
2 tablespoons bread crumbs
1 teaspoon lemon juice
¼ teaspoon garlic pepper
Crushed red pepper to taste

Remove stems from mushrooms and set aside. Arrange mushroom caps on microwave safe plate. Finely chop reserved mushroom stems. Combine butter, chopped mushroom stems, and green onion in a 1 quart microwave safe dish; microwave on High power for 2 minutes. Add remaining ingredients and mix well. Spoon stuffing into mushroom caps. Microwave on High power for 4 to 5 minutes, or until mushrooms are tender.

Asiago Red Potatoes

1 ¼ pound red potatoes, peeled and thinly sliced
2 tablespoons all purpose flour
½ teaspoon salt
1 ¼ cups milk
1 tablespoon butter, melted
5 ounces shredded Asiago cheese

Combine potatoes, flour, and salt in a zip top plastic bag; seal bag and shake to coat potatoes. Transfer potatoes to a lightly greased 2 quart microwave safe casserole dish. Add milk and butter, stirring well. Cover and microwave on 80% power for 12 minutes or until potatoes are tender; sprinkle with cheese and microwave on 80% power for an additional minute or until cheese melts.

Roasted Vegetables Medley

1 cup baby carrots
1 cup sliced yellow squash
1 cup sliced zucchini
½ cup sliced red bell pepper
½ cup thinly sliced onion
1 tablespoon butter
Garlic and herb seasoning to taste

Combine carrots, squash, zucchini, bell pepper, and onion in a 2 quart microwave safe casserole dish. Dot with butter and sprinkle with seasoning. Cover, and microwave on High power for 8 minutes or to desired degree of doneness.

Lemon and Shrimp Risotto

2 teaspoons butter
2 teaspoons olive oil
2 tablespoons finely chopped shallot
4 cups chicken broth
¼ cup fresh squeezed lemon juice
2 cups risotto
1 pound medium shrimp, peeled and deveined
1 cup frozen peas, thawed
2 teaspoons grated lemon zest
¼ teaspoon black pepper
¾ teaspoon salt

Combine butter, olive oil, and shallot in a 1 quart microwave safe dish. Microwave on High for 1 minute or until shallot is tender. Set aside.

Combine chicken broth and lemon juice in a 2 quart microwave safe measuring cup or casserole dish. Cover with lid or vented plastic wrap. Microwave on High power for 10 minutes. Stir in reserved shallot mixture and risotto. Cover and continue to microwave on 50% power for 20 minutes. Stir in shrimp, peas, grated lemon zest, pepper, and salt. Cover and microwave on 50% power for 5 minutes or until shrimp is opaque.

White Chicken Chili

1 pound boneless, skinless chicken breast, cubed
½ cup chopped onion
3 garlic cloves, minced
1 (15 ounce) can white beans, drained
1 (4 ounce) can chopped green chili pepper
1 cup chicken broth
1 ½ teaspoon chili powder
¾ teaspoon cumin
½ teaspoon salt
½ teaspoon black pepper
½ cup chopped fresh cilantro
2 tablespoons fresh lime juice

Combine chicken, onion, and garlic in a 2.5 quart microwave safe dish. Cover, and microwave on High for 6 minutes, or until chicken is fully cooked and onion is tender, stirring after 3 minutes.

Add white beans, chili pepper, chicken broth, chili powder, cumin, salt and pepper, stirring well. Cover and microwave on High for 10 minutes, stirring after 5 minutes.

Stir in cilantro and lime juice before serving.

AUTO DEFROST

Using Auto Defrost

The auto defrost feature provides you with the best defrosting method for frozen foods. The cooking guide will show you which defrost sequence is recommended for the food you are defrosting.

For added convenience, the Auto Defrost includes a built-in beep mechanism that reminds you to check, turn over, separate, or rearrange the food in order to get the best defrost results. Three different defrosting levels are provided:

1. MEAT
2. POULTRY
3. FISH

Available weight is 0.1-6.0 lbs

- Suppose you want to defrost 1.2 lbs of fish.

Touch :	Display Shows:
1. "Auto Defrost"	<small>PRESS AGAIN FOR OPTIONS/ PRESS START</small> MEAT
2. "Auto Defrost"	<small>PRESS AGAIN FOR OPTIONS/ PRESS START</small> POULTRY
3. "Auto Defrost"	<small>PRESS AGAIN FOR OPTIONS/ PRESS START</small> FISH
4. "Start/Enter/+30 Sec"	ENTER WEIGHT lb
5. ① and ② To enter weight	<small>PRESS START</small> 1.2 lb
6. "Start/Enter/+30 Sec"	<small>DEFR.</small> FISH Time counting down

NOTES

The oven will beep during the "DEFROST" cycle. At this time, open the door and turn, separate, or rearrange the food. Remove any portions that have thawed. Return frozen portions to the oven and touch "Start/Enter/+30 Sec" to resume the defrost cycle.

Operating Tips

- For best results, remove fish, shell fish, meat and poultry from its original closed paper or plastic package (wrapper). Otherwise, the wrap will hold steam and juice close to the foods, which can cause the outer surface of the food to cook.
- For best results, roll your ground meat into a ball before freezing. During the DEFROST cycle, the microwave will signal when it is time to turn the meat over. Scrape off any excess frost from the meat and continue defrosting.
- Place foods in a shallow container or on a microwave roasting rack to catch drippings.

This table shows food type selections and the weights you can set for each type. For best results, loosen or remove covering on food.

KEY PRESS	Category	WEIGHTS YOU CAN SET (tenths of a pound)
Auto Defrost x 1	Meat	0.1 to 6.0 lbs
Auto Defrost x 2	Poultry	0.1 to 6.0 lbs
Auto Defrost x 3	Fish	0.1 to 6.0 lbs

Weight conversion table

You are probably used to measuring food in pounds and ounces that are fractions of a pound (for example, 4 ounces equals 1/4 pound). However, in order to enter the weight of food in Auto Defrost, you must specify pounds and tenths of a pound. If the weight on the food package is in fractions of a pound, you can use the following table to convert the weight to decimals.

Equivalent Weight	
OUNCES	DECIMAL WEIGHT
1.6	10
3.2	20
4.0	25 One-Quarter Pound
4.8	30
6.4	40
8.0	50 One-Half Pound
9.6	60
11.2	70
12.0	75 Three-Quarters Pound
12.8	80
14.4	90
16.0	1.0 One Pound

NOTES

If the weight is between two decimals, round down to the lower weight for best defrosting results.

Auto Defrost Table

NOTE: Large, fatty pieces of meat or meat in irregular shapes, should have the narrow or fatty areas shielded at the beginning of the defrost sequence.

Meat Settings

FOOD	SETTING	AT BEEP	SPECIAL INSTRUCTIONS
BEEF			
Ground Beef, Bulk	MEAT	Remove thawed portions with fork. Turn over. Return remainder to oven.	Do not defrost less than 1/4 lb. Freeze in ball shape.
Ground Beef, Patties	MEAT	Separate and rearrange.	Do not defrost less than 2 oz. patties. Depress center when freezing.
Round Steak	MEAT	Turn over. Cover warm areas with aluminum foil.	Place in a microwave safe dish.
Tenderloin Steak	MEAT	Turn over. Cover warm areas with aluminum foil.	Place in a microwave safe dish.
Stew Beef	MEAT	Remove thawed portions with fork. Separate remainder.	Place in a microwave safe dish.
Pot Roast, Chuck Roast	MEAT	Return remainder to oven.	Place in a microwave safe dish.
Rib Roast	MEAT	Turn over. Cover warm areas with aluminum foil.	Place in a microwave safe dish.
Rolled Rump Roast	MEAT	Turn over. Cover warm areas with aluminum foil.	Place in a microwave safe dish.
LAMB			
Cubes for Stew	MEAT	Turn over. Cover warm areas with aluminum foil.	Place in a microwave safe dish.
Chops (1 inch thick)	MEAT	Remove thawed portions with fork. Return remainder to oven.	Place in a microwave safe dish.
PORK			
Chops (1/2 inch thick)	MEAT	Separate and rearrange.	Place in a microwave safe dish.
Hot Dogs	MEAT	Separate and rearrange.	Place in a microwave safe dish.
Spareribs Country-style Ribs	MEAT	Turn over. Cover warm areas with aluminum foil.	Place in a microwave safe dish.
Sausage, Links	MEAT	Separate and rearrange.	Place in a microwave safe dish.
Sausage, Bulk	MEAT	Remove thawed portions with fork. Turn over. Return remainder to oven.	Place in a microwave safe dish.
Loin Roast, Boneless	MEAT	Turn over. Cover warm areas with aluminum foil.	Place in a microwave safe dish.

Auto Defrost Table (Continued)

Poultry Settings

FOOD	SETTING	AT BEEP	SPECIAL INSTRUCTIONS
CHICKEN			
Whole (up to 6 lbs)	POULTRY	Turn over breast side down. Cover warm areas with aluminum foil.	Place chicken breast-side up in a microwave safe dish. Finish defrosting by immersing in cold water. Remove giblets when chicken is partially-defrosted.
Cut-up		Separate pieces and rearrange. Turn over. Cover warm areas with aluminum foil.	Place in a microwave safe dish. Finish defrosting by immersing in cold water.
CORNISH			
HENS Whole	POULTRY	Turn over. Cover warm areas with aluminum foil.	Place in a microwave safe dish. Finish defrosting by immersing in cold water.
TURKEY			
Breast (up to 6 lbs)	POULTRY	Turn over. Cover warm areas with aluminum foil.	Place in a microwave safe dish. Finish defrosting by immersing in cold water.

Fish Settings

FOOD	SETTING	AT BEEP	SPECIAL INSTRUCTIONS
FISH			
Fillets	FISH	Turn over. Separate fillets when partially thawed, if possible.	Place in a microwave safe dish. Carefully separate fillets under cold water.
Steaks	FISH	Separate and rearrange.	Place in a microwave safe dish. Run cold water over to finish defrosting.
Whole	FISH	Turn over	Place in a microwave safe dish. Cover head and tail with foil; do not let foil touch sides of microwave. Finish defrosting by immersing in cold water.
SHELLFISH			
Crab meat	FISH	Break apart. Turn over.	Place in a microwave safe dish.
Lobster tails	FISH	Break apart. Turn over.	Place in a microwave safe dish.
Shrimp	FISH	Break apart. Turn over.	Place in a microwave safe dish.
Scallops	FISH	Break apart. Turn over.	Place in a microwave safe dish.

Defrosting Tips

- When using Auto Defrost, the weight to be entered is the net weight in pounds and tenths of pounds (the weight of the food minus the container).
- Before starting, make sure to remove any and all metal twist-ties that often come with frozen food bags, and replace them with strings or elastic bands.
- Open containers, such as cartons, before placing them in the oven.
- Always slit or pierce plastic pouches or packaging.
- If food is foil wrapped, remove foil and place food in a suitable container.
- Slit the skin of skinned food, such as sausage.
- Bend plastic pouches of food to ensure even defrosting.
- Always underestimate defrosting time. If defrosted food is still icy in the center, return it to the microwave oven for more defrosting.
- The length of defrosting time varies according to how solidly the food is frozen.
- The shape of the package effects how quickly food will defrost. Shallow packages will defrost more quickly than a deep container.
- As food begins to defrost, separate the pieces. change more easily to quicker.
- Use small pieces of aluminum foil to shield parts of food such as chicken wings, leg tips, fish tails, or areas that start to get warm. Make sure the foil does not touch the sides, top, or bottom of the oven. The foil can damage the oven lining.
- For better results, let food stand after defrosting.
- Turn over food during defrosting or standing time.
- Break apart and remove food as required.

CONVENIENT FEATURES

1. User pref

The microwave oven has settings that allow you to customize the operation for your convenience. Below is the table showing the various settings. Touch the **User pref** key multiple times to scroll to the desired setting function.

Key press	Option
User pref X 1	Clock
User pref X 2	Control Lock
User pref X 3	Volume (Off/Low/Med/High)
User pref X 4	Weight (lb/kg)
User pref X 5	Clock display
User pref X 6	Demo

(1). Setting Clock

The clock can be disabled when the microwave is first plugged in and the "Stop/Clear" key is selected.

To re-enable the clock follow clock instructions.

- Suppose you want to set the clock for 10:59.

Touch :	Display Shows:
1. "User Pref"	<small>PRESS AGAIN FOR OPTIONS!</small> 12:00 ENTER TIME
2. ① ① ⑤ ⑨	<small>PRESS START</small> 10:59
3. "Start/Enter/+30 Sec"	10:59

NOTES

1. If you begin to enter in an incorrect time (e.g. 2:89) the 8 is an invalid digit and cannot be entered.
Enter the correct time.
2. If you touch "Stop/Clear" while setting the clock, the display will show the last time of day set or a blank display if no time of day has been set.

(2). Setting Control Lock On/Off

To turn ON Control Lock .

Touch :	Display Shows:
1. "User Pref"	<small>PRESS AGAIN FOR OPTIONS/</small> 12:00 ENTER TIME
2. "User Pref"	<small>PRESS AGAIN FOR OPTIONS/ PRESS START</small> CONTROL LOCK
3. "Start/Enter/+30 Sec"	LOCKED
To turn OFF the Control Lock, touch User pref then touch "Start/Enter/+30 Sec"	
4. "Start/Enter/+30 Sec"	UNLOCKED

(3). Turning Sound Low/Med/High/Off

Audible signals are available to guide you when setting and using your oven.

- **A programming tone** will sound each time you touch a button.
- **Three tones** signal the end of a Kitchen Timer count down.
- **Three tones** signal the end of a cooking cycle.
- Suppose you want to turn the audible signal off.

Touch :	Display Shows:
1. "User Pref"	<small>PRESS AGAIN FOR OPTIONS/</small> 12:00 ENTER TIME
2. "User Pref"	<small>PRESS AGAIN FOR OPTIONS/ PRESS START</small> CONTROL LOCK
3. "User Pref"	<small>PRESS AGAIN FOR OPTIONS/ PRESS START</small> VOLUME LOW
	<small>PRESS AGAIN FOR OPTIONS/ PRESS START</small> VOLUME MED
	<small>PRESS AGAIN FOR OPTIONS/ PRESS START</small> VOLUME HIGH
4. "Start/Enter/+30 Sec"	<small>PRESS AGAIN FOR OPTIONS/ PRESS START</small> VOLUME OFF
	OFF

NOTES

When the cooking cycle is completed END will be displayed and the audible signal will sound if the sound is turned on.

(4). Setting Weight Lb/ Kg

- Suppose you want to toggle weight between pounds & kilograms.

Touch :	Display Shows:
1. "User Pref"	<small>PRESS AGAIN FOR OPTIONS/</small> 12:00 ENTER TIME
2. "User Pref"	<small>PRESS AGAIN FOR OPTIONS/ PRESS START</small> CONTROL LOCK
3. "User Pref"	<small>PRESS AGAIN FOR OPTIONS/ PRESS START</small> VOLUME LOW <small>PRESS AGAIN FOR OPTIONS/ PRESS START</small>
4. "User Pref"	<small>PRESS AGAIN FOR OPTIONS/ PRESS START</small> Lb / Kg
5. "Start/Enter/+30 Sec"	Lb kg Kg lb

NOTES

If the display shows kg, pressing the "Start/Enter/+30 Sec" button will reset the oven controls to lbs. To return to kg, you will have to press "User Pref" four times and then press "Start/Enter/+30 Sec" .

(5). Setting Clock Display

- Suppose you want to set the language.

Touch :	Display Shows:
1. "User Pref"	<small>PRESS AGAIN FOR OPTIONS/</small> 12:00 ENTER TIME
2. "User Pref"	<small>PRESS AGAIN FOR OPTIONS/ PRESS START</small> CONTROL LOCK
3. "User Pref"	<small>PRESS AGAIN FOR OPTIONS/ PRESS START</small> VOLUME LOW
4. "User Pref"	<small>PRESS AGAIN FOR OPTIONS/ PRESS START</small> LB / KG
5. "User Pref"	<small>PRESS AGAIN FOR OPTIONS/ PRESS START</small> CONTROL DISPLAY ON OFF
6. "Start/Enter/+30 Sec"	<small>PRESS AGAIN FOR OPTIONS/ PRESS START</small> OFF ON

NOTES

When "Start/Enter/+30 Sec" is pressed and the previous setting was English it will be set to French. If you want switch back to English you will have to press "User Pref" five times and then press "Start/Enter/+30 Sec".

(6). Setting Demo Mode On/Of

- Suppose you want to enter Demo mode. When Demo mode is ON programming functions will work in a rapid countdown mode with no cooking power.

Touch :	Display Shows:
1. "User Pref"	<small>PRESS AGAIN FOR OPTIONS/</small> 12:00 ENTER TIME
2. "User Pref"	<small>PRESS AGAIN FOR OPTIONS/ PRESS START</small> CONTROL LOCK
3. "User Pref"	<small>PRESS AGAIN FOR OPTIONS/ PRESS START</small> VOLUME LOW
4. "User Pref"	<small>PRESS AGAIN FOR OPTIONS/ PRESS START</small> LB / KG
5. "User Pref"	<small>PRESS AGAIN FOR OPTIONS/ PRESS START</small> CONTROL DISPLAY ON
6. "User Pref"	<small>PRESS AGAIN FOR OPTIONS/ PRESS START</small> DEMO OFF
7. "Start/Enter/+30 Sec"	ON OFF

NOTES





When "Start/Enter/+30 Sec" is pressed and the previous setting was OFF then it will be set to ON. If you want to turn the demo mode back OFF you will have to again press User pref six times and then press "Start/Enter/+30 Sec".

2. Setting Kitchen Timer

Your microwave oven can be used as a kitchen timer. You can set up to 99 minutes, 99 seconds.

The kitchen timer can be used while the microwave oven is running.





- To set the timer for three minutes.

Touch :	Display Shows:
1. "Timer"	
2. 	
3. "Timer"	 Timer starts counting down

3. Using Vent Fan

The vent button controls the fan, which has 2-speeds. If the vent fan is off, the first press of the button will set the fan to High, second touch will be LOW and third will be OFF.

- Suppose you want to set the vent fan speed to LOW from the OFF position.

Touch :	Display Shows:
1.  Hi Low Off	
2.  Hi Low Off	


NOTES

If the temperature from the range or cooktop below the oven gets too hot, the vent fan will automatically turn on to protect the oven. It may stay on up to an hour to cool the oven. When this occurs, the Vent button will not turn the fan off.

4. Using Cooktop Light

The light icon button controls the cooktop light. If the light is OFF the first touch of the light button will turn the light ON (high), second touch will reduce the power of the light to Low and third touch will be OFF.

- Suppose you want to set the light for HIGH from the OFF position.

Touch :	Display Shows:
1.  Hi Low Off	HIGH

5. Setting Turntable On/Off

Press Turntable On-Off to turn the turntable on or off.

For best cooking results, leave the turntable on. It can be turned off for large dishes.

Touch :	Display Shows:
1. "Turntable On-Off"	OFF
2. "Turntable On-Off"	ON

NOTES

Sometimes the turntable can become hot to the touch during and after cooking. Do not run the oven empty without food in it.

MAINTENANCE

Troubleshooting

If your microwave oven is not functioning properly, please refer to the below troubleshooting tips below.

If this does not fix the problem, please call your local authorized service technician.

TROUBLE	POSSIBLE CAUSE	POSSIBLE REMEDY
Oven will not start	<ul style="list-style-type: none"> a. Electrical cord for oven is not plugged in. b. Door is open. c. Wrong operation is set. 	<ul style="list-style-type: none"> a. Plug into the outlet. b. Close the door and try again. c. Check instructions.
Arcing or sparking	<ul style="list-style-type: none"> a. Materials to be avoided in microwave oven were used. b. The oven is operated when empty. c. Spilled food remains in the cavity. 	<ul style="list-style-type: none"> a. Use microwave-safe cookware only. b. Do not operate with oven empty. c. Clean cavity with wet towel.
Unevenly cooked foods	<ul style="list-style-type: none"> a. Materials to be avoided in microwave oven were used. b. Food is not defrosted completely. c. Cooking time, power level is not suitable. d. Food is not turned or stirred. 	<ul style="list-style-type: none"> a. Use microwave-safe cookware only. b. Completely defrost food. c. Use correct cooking time, power level. d. Turn or stir food.
Overcooked foods	<ul style="list-style-type: none"> Cooking time, power level is not suitable. 	<ul style="list-style-type: none"> Use correct cooking time, power level.
Undercooked foods	<ul style="list-style-type: none"> a. Materials to be avoided in microwave oven were used. b. Food is not defrosted completely. c. Oven ventilation ports are restricted. d. Cooking time, power level is not suitable. 	<ul style="list-style-type: none"> a. Use microwave-safe cookware only. b. Completely defrost food. c. Check to see that oven ventilation ports are not restricted. d. Use correct cooking time, power level.
Improper defrosting	<ul style="list-style-type: none"> a. Materials to be avoided in microwave oven were used. b. Cooking time, power level is not suitable. c. Food is not turned or stirred. 	<ul style="list-style-type: none"> a. Use microwave-safe cookware only. b. Use correct cooking time, power level. c. Turn or stir food.



ATTACH YOUR RECEIPT HERE. PROOF OF PURCHASE IS REQUIRED TO OBTAIN WARRANTY SERVICE.

Please have the following information available when you

- Name, address and telephone number
- Model number and serial number
- A clear, detailed description of the problem
- Proof of purchase including dealer or retailer name and address

IF YOU NEED SERVICE:

1. Before contacting us to arrange service, please determine whether your product requires repair. Some questions can be addressed without service. Please take a few minutes to review the Troubleshooting section of the User Manual, or visit <https://www.midea.com/us/support>
2. All warranty service is provided exclusively by our authorized Midea Service Providers, in the U.S. and Canada.

Midea Customer Service

In the U.S.A. or Canada, call 1-866-646-4332.

If outside the 50 States of the United States or Canada, contact your authorized Midea dealer to determine whether another warranty applies.

1 YEAR PARTS AND LABOR

WHAT IS COVERED

FIRST YEAR LIMITED WARRANTY (PARTS AND LABOR)

Midea will repair or replace, without charge, any defects due to faulty materials or workmanship for one full year from the date of purchase. For further detail of warranty coverage and warranty repair information, visit www.midea.com or call **1-866-646-4332**.

Consumer will be responsible for:

- Diagnostics, removal, transportation and reinstallation cost required because of service.
- Costs of service calls that are a result of items listed under **NORMAL RESPONSIBILITIES OF THE CONSUMER****

NORMAL RESPONSIBILITIES OF THE CONSUMER**

This warranty applies only to products in ordinary household use, and the consumer is responsible for the items listed below:

1. Proper use of the appliance in accordance with the instructions provided with the product.
2. Routine maintenance and cleaning necessary to keep the good working condition.
3. Proper installation by an authorized service professional in accordance with instructions provided with the appliance and in accordance with all local plumbing, electrical and / or gas codes.
4. Proper connection to a grounded power supply of sufficient voltage, replacement of blown fuses, repair of loosened connections or defects in house wiring.
5. Expenses for making the appliance accessible for servicing.
6. Damages to finish after installation.

YOUR SOLE AND EXCLUSIVE REMEDY UNDER THIS LIMITED WARRANTY SHALL BE PRODUCT REPAIR OR REPLACEMENT AS PROVIDED HEREIN. Service must be provided by a Midea designated service company. This limited warranty is valid only in the 50 States of the United States or Canada and applies only when the major appliance is used in the country in which it was purchased. This limited warranty is effective from the date of original consumer purchase. Proof of original purchase date is required to obtain service under this limited warranty.

WHAT IS NOT COVERED

1. Failure caused by damage to the unit while in your possession (other than damage caused by defect or malfunction), by its improper installation, or by unreasonable use of the product, including without limitation, failure to provide reasonable and necessary maintenance or to follow the written Installation and Instruction Manual.
2. Products purchased “as-is” or refurbished are not covered by this warranty.
3. Service calls to repair or replace consumables such as light bulbs air filters etc., or handles, knobs and other cosmetic parts.
4. Product that has been transferred from its original owner.
5. Interior or exterior rust on the unit.
6. Damages caused by services performed by persons other than authorized Midea servicers; use of parts other than Midea replacement parts; obtained from persons other than such Midea customer service; or external causes such as abuse, misuse, inadequate power supply or acts of God.
7. Service calls resulting from improper installation of your product.
8. Service calls to instruct you on the use of your product.
9. Surcharges including, but not limited to, any after hour, weekend, or holiday service calls, tolls, ferry trip charges, or mileage expense for service calls to remote areas, including the state of Alaska.
10. If the unit is put to commercial, business, rental, or other use or application other than for consumer use, we make no warranties, express or implied, including but not limited to, any implied warranty of merchantability or fitness for particular use or purpose.
11. Product that has been removed outside the USA or Canada.
Products without original serial numbers or products that have serial numbers which have been altered or cannot be readily determined.

NOTE: Some states do not allow the exclusion or limitation of incidental or consequential damages. So this limitation or exclusion may not apply to you.

The cost of repair or replacement under these excluded circumstances shall be borne by the customer.

DISCLAIMER OF IMPLIED WARRANTIES

IMPLIED WARRANTIES, INCLUDING ANY IMPLIED WARRANTY OF MERCHANTABILITY OR IMPLIED WARRANTY OF FITNESS FOR A PARTICULAR PURPOSE, ARE LIMITED TO ONE YEAR OR THE SHORTEST PERIOD ALLOWED BY LAW. Some states and provinces do not allow limitations on the duration of implied warranties of merchantability or fitness, so this limitation may not apply to you. This warranty gives you specific legal rights, and you also may have other rights that vary from state to state or province to province.

DISCLAIMER OF REPRESENTATIONS OUTSIDE OF WARRANTY

Midea makes no representations about the quality, durability, or need for service or repair of this major appliance other than the representations contained in this warranty. If you want a longer or more comprehensive warranty than the limited warranty that comes with this major appliance, you should ask Midea or your retailer about buying an extended warranty.

LIMITATION OF REMEDIES; EXCLUSION OF INCIDENTAL AND CONSEQUENTIAL DAMAGES

YOUR SOLE AND EXCLUSIVE REMEDY UNDER THIS LIMITED WARRANTY SHALL BE PRODUCT REPAIR AS PROVIDED HEREIN. MIDEA SHALL NOT BE LIABLE FOR INCIDENTAL OR CONSEQUENTIAL DAMAGES. Some states and provinces do not allow the exclusion or limitation of incidental or consequential damages, so these limitations and exclusions may not apply to you. This warranty gives you specific legal rights, and you also may have other rights that vary from state to state or province to province.



MANUAL DE INSTRUCCIONES

Horno Microondas
Modelo: MMO19S3AST

Fuente de alimentación: 120 V-
Frecuencia: 60 Hz

Advertencia:

Antes de utilizar este producto, lea este manual cuidadosamente y guárdelo para consultarlo en el futuro. El diseño y las especificaciones están sujetos a cambios sin previo aviso con el fin de mejorar el producto. Consulte con su distribuidor o fabricante para obtener más detalles.

¡Extensión gratuita de 3 meses* del período de garantía limitada original!
Simplemente envíe una foto de su comprobante de compra a:

1-844-224-1614

*La extensión de la garantía es por los tres meses inmediatamente posteriores a la finalización del período de garantía original del producto.

Estimado usuario

GRACIAS y FELICIDADES por la compra de este producto de alta calidad de Midea. Su horno microondas de Midea representa la modernidad, y está diseñado para un rendimiento confiable y sin problemas. Tómese un momento para registrar su nuevo horno microondas.

Registre su nuevo horno microondas en www.midea.com en la pestaña Soporte.

Para referencia futura, registre el modelo de su producto y los números de serie ubicados en el marco interior del horno microondas.

Número de modelo _____

Número de serie _____

Contenido

Precauciones para evitar una posible exposición al exceso de energía de microondas.....	47
Especificaciones.....	47
Instrucciones de seguridad importantes.....	48
Instrucciones para conexión a tierra.....	50
Interferencia de radio.....	51
Utensilios.....	51
Nombres de las piezas.....	53
Panel de control.....	54
Cocción manual.....	55
Cocción por sensor.....	60
Cocción con un solo toque.....	64
Cocción automática.....	68
Descongelación automática.....	73
Características útiles.....	78
Mantenimiento.....	86

PRECAUCIONES PARA EVITAR UNA POSIBLE EXPOSICIÓN AL EXCESO DE ENERGÍA DE MICROONDAS

- (a) No intente utilizar este horno microondas con la puerta abierta ya que esto puede provocar una exposición peligrosa a la energía de microondas. Es importante no anular ni manipular indebidamente los dispositivos de seguridad.
- (b) No coloque ningún objeto entre la parte frontal del horno microondas y la puerta ni permita que la suciedad o residuos de limpiadores se acumulen en las superficies de sellado.
- (c) No utilice el horno microondas si está dañado. Es importante que la puerta del horno microondas cierre apropiadamente y que no hayan daños en:
 - (1) PUERTA (inclinación)
 - (2) BISAGRAS Y PESTILLOS (rotos o flojos)
 - (3) SELLOS DE PUERTA Y SUPERFICIES HERMÉTICAS
- (d) El horno microondas no debe ser ajustado ni reparado por nadie que no sea personal de servicio técnico debidamente calificado.

Especificaciones

Modelo:	MMO19S3AST
Voltaje nominal:	120 V ~ 60 Hz
Potencia de entrada nominal (microondas):	1550 W
Potencia de salida nominal (microondas):	1000 W

INSTRUCCIONES DE SEGURIDAD IMPORTANTES

ADVERTENCIA

Al utilizar aparatos eléctricos, se deben seguir siempre las precauciones básicas de seguridad, que incluyen las siguientes:

ADVERTENCIA - Para reducir el riesgo de quemaduras, descargas eléctricas, incendios, lesiones a personas o exposición excesiva a energía de microondas:

1. Lea todas las instrucciones antes de utilizar el aparato.
2. Lea y siga: "PRECAUCIONES PARA EVITAR UNA POSIBLE EXPOSICIÓN AL EXCESO DE ENERGÍA DE MICROONDAS" en la página 47.
3. Este aparato debe estar conectado a tierra. Conecte únicamente a un tomacorriente debidamente conectado a tierra. Consulte "INSTRUCCIONES PARA CONEXIÓN A TIERRA" en la página 50.
4. Instale o coloque este artefacto solo de acuerdo con las instrucciones de instalación proporcionadas.
5. Algunos productos como huevos enteros y recipientes sellados, por ejemplo, frascos de vidrio cerrados, pueden explotar por lo que no deben calentarse en este horno.
6. Utilice este artefacto solo para el uso previsto como se describe en este manual. No utilice productos químicos ni vapores corrosivos en este aparato. Este tipo de horno está diseñado específicamente para calentar, cocinar o secar los alimentos. No está diseñado para uso industrial o de laboratorio.
7. Como cualquier aparato, deberá ser supervisado cuando sea utilizado por niños.
8. No utilice este artefacto si el cable de alimentación o enchufe están dañados, si no funciona correctamente o si tiene daños o se ha caído.
9. Este aparato debe ser reparado únicamente por personal de servicio calificado. Póngase en contacto con el centro de servicio autorizado más cercano para una evaluación, reparación o ajuste.
10. No cubra ni bloquee ninguna ranura del aparato.
11. No guarde este aparato al aire libre. No utilice este aparato cerca del agua, por ejemplo, cerca del fregadero de la cocina, de una base mojada, de piscinas o lugares similares.
12. No sumerja el cable de alimentación ni el enchufe en el agua.
13. Mantenga el cable de alimentación alejado de superficies calientes.
14. No cuelgue el cable de alimentación sobre el borde de la mesa o mostrador.
15. Cuando limpie las superficies de la puerta y el horno, utilice solo jabones suaves no abrasivos o detergente aplicado con una esponja o paño suave.
16. Para reducir el riesgo de incendio en la cavidad del horno:
 - 1). No cocine demasiado los alimentos. Esté atento cuando coloque papeles, plástico u otros materiales inflamables dentro del horno para facilitar la cocción.

- 2). Retire los sujetadores metálicos de las bolsas de papel o de plástico antes de colocarlas en el horno.
 - 3). Si los materiales dentro del horno empiezan a arder, mantenga cerrada la puerta del horno, apáguelo y desconecte el cable de alimentación o desconecte la energía en la caja de fusibles o en el panel del interruptor automático.
 - 4). No utilice la cavidad del horno para almacenar objetos. No deje productos de papel, utensilios de cocina o alimentos en la cavidad del horno cuando no esté en uso.
17. Los líquidos, como agua, café o té pueden sobrecalentarse más allá del punto de ebullición sin que pueda notarse que están hirviendo. No siempre habrá burbujas o vapor de ebullición visibles al retirar el recipiente del horno microondas.
- ESTO PODRÍA PROVOCAR UN DERRAME IMPREVISTO DE LÍQUIDOS DEMASIADO CALIENTES AL INTRODUCIR UNA CUCHARA U OTRO UTENSILIO EN EL LÍQUIDO.**
- Para reducir el riesgo de lesiones a personas:
- 1) No sobrecaliente el líquido.
 - 2) Agite el líquido antes y durante el calentamiento.
 - 3) No utilice recipientes de lados rectos y cuello angosto.
 - 4) Después de calentar, deje reposar el recipiente en el horno microondas durante un corto tiempo antes de retirarlo.
 - 5) Tenga mucho cuidado al insertar una cuchara u otro utensilio en el recipiente.
18. No utilice ningún aparato de calefacción o de cocina debajo del horno microondas. (Excepción: Un horno microondas calificado para usarse encima de otro aparato de calefacción.)
19. No coloque el aparato sobre o cerca de ningún aparato de calefacción o de cocina. (Excepción: Un horno microondas calificado para usarse encima de otro aparato de calefacción.)
20. No coloque el horno microondas sobre un fregadero.
21. No almacene nada directamente sobre la superficie del aparato cuando éste en funcionamiento.
22. Limpie las ranuras de ventilación con frecuencia. No deje que se acumule grasa en las ranuras de ventilación o filtros de grasa.
23. Cuando esté cocinando alimentos en la cocina debajo del horno microondas, encienda el ventilador.
24. Tenga cuidado al limpiar la ranura de ventilación y los filtros de grasa. Los agentes de limpieza corrosivos como los limpiadores con lejía, pueden dañar los filtros de grasa.
25. Este aparato es adecuado para usarlo encima de una cocina a gas o eléctrica.

GUARDE ESTAS INSTRUCCIONES

INSTRUCCIONES PARA CONEXIÓN A TIERRA

Este aparato debe estar conectado a tierra. En caso que se produzca un cortocircuito eléctrico, la conexión a tierra reduce el riesgo de descarga eléctrica al proporcionar una vía de escape para la corriente eléctrica. Este aparato está equipado con un cable que tiene una conexión a tierra con un enchufe a tierra. El enchufe debe estar conectado a un tomacorriente que esté correctamente instalado y conectado a tierra.



ADVERTENCIA

ADVERTENCIA - El uso inapropiado del enchufe con toma a tierra puede causar una descarga eléctrica.

Consulte a un electricista o técnico de servicio calificado si las instrucciones de conexión a tierra no se entienden completamente, o si existen dudas sobre si el aparato está conectado a tierra correctamente. Si es necesario utilizar un cable de extensión, utilice solo un cable de extensión de 3 clavijas que tenga un enchufe con conexión a tierra de 3 clavijas y un tomacorriente de 3 clavijas que acepte el enchufe del aparato. La clasificación marcada del cable de extensión debe ser igual o mayor que la clasificación eléctrica del aparato.

PELIGRO - Peligro de descarga eléctrica

Tocar algunos de los componentes internos puede causar graves lesiones personales o la muerte.

No desarme este aparato.

ADVERTENCIA - Peligro de descarga eléctrica

El uso inadecuado de la conexión a tierra puede provocar una descarga eléctrica. No lo enchufe en un tomacorriente hasta que el aparato esté correctamente instalado y conectado a tierra.

1. Se proporciona un cable de alimentación corto con el propósito de reducir el riesgo de tropezarse o enredarse con un cable más largo.
2. Se pueden utilizar cables de extensión solo si se usan con cuidado.
3. Si se utiliza un cable de extensión:
 - 1) La clasificación eléctrica marcada en el cable de extensión debe ser por lo menos igual que la clasificación eléctrica del aparato.
 - 2) El cable de extensión debe ser un cable de 3 hilos con conexión a tierra.
 - 3) El cable de extensión debe colocarse de tal manera que no cuelgue del borde de un mostrador ni de una mesa para que no pueda ser tirado por un niño o alguien pueda tropezarse accidentalmente.

INTERFERENCIA DE RADIO

1. El funcionamiento del horno microondas puede causar interferencias en su radio, televisor o equipos similares.
2. Cuando hay interferencia, ésta puede reducirse o eliminarse tomando las siguientes medidas:
 - 1) Limpie la puerta y la superficie de sellado del microondas.
 - 2) Reoriente la antena receptora de la radio o la televisión.
 - 3) Reubique el microondas con respecto al receptor.
 - 4) Coloque el microondas lejos del receptor.
 - 5) Enchufe el microondas en un tomacorriente diferente de forma que el microondas y el receptor estén en circuitos diferentes.

UTENSILIOS

PRECAUCIÓN - Riesgo de lesiones personales

Los recipientes demasiado cerrados podrían explotar. Los recipientes cerrados deben abrirse y las bolsas de plástico deben perforarse antes de cocinar.

Consulte el manual de instrucciones en "Materiales que puede utilizar en el horno microondas o Materiales a evitar en el horno microondas"

Existen algunos utensilios de cocina no metálicos que no son seguros para utilizar en el hornos microondas. En caso de duda, puede probar los utensilios de cocina en cuestión siguiendo el procedimiento a continuación.

Prueba de los utensilios de cocina:

1. Inserte los utensilios de cocina en cuestión y un recipiente para microondas lleno con 1 taza (250 ml) de agua fría en el horno microondas.
2. Cocine a máxima potencia durante 1 minuto.
3. Sienta cuidadosamente la superficie de los utensilios de cocina. Si los utensilios de cocina está calientes, no los utilice para cocinar en el horno microondas.
4. No exceda 1 minuto de cocción.

Materiales que puede utilizar en el horno microondas

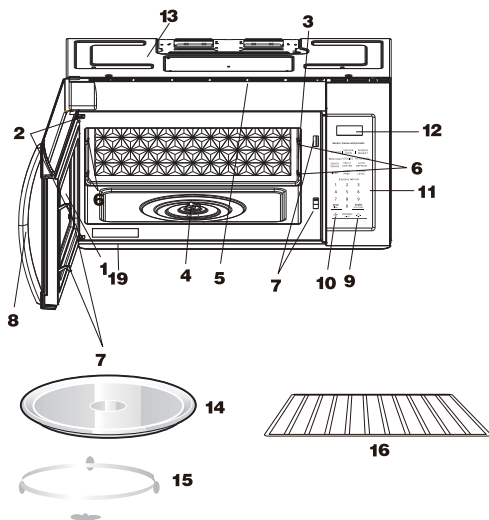
Utensilios	Comentarios
Plato para dorar	Siga las instrucciones del fabricante*. El fondo del plato para dorar debe estar por lo menos a 3/16 pulg. (5 mm) por encima del plato giratorio. El uso incorrecto podría causar la rotura del plato giratorio.
Vajilla	Utilice solamente envolturas aptas para microondas. Siga las instrucciones del fabricante. No utilice platos agrietados ni astillados.
Jarras de vidrio	Retire siempre la tapa. Utilice únicamente para calentar los alimentos hasta que estén tibios. La mayoría de las jarras de vidrio no son resistentes al calor y podrían romperse.
Cristalería	Utilice solo cristalería apta para horno microondas. Asegúrese de que no contengan decoraciones metálicas. No utilice platos agrietados ni astillados.
Bolsas de cocción para horno	Siga las instrucciones del fabricante*. No cierre con amarres metálicos. Realice perforaciones para permitir que se escape el vapor.
Platos y vasos de papel	Utilícelos solamente por poco tiempo de cocción o para calentar. No deje el horno microondas desatendido durante la cocción.
Toallas de papel	Utilícelo para cubrir los alimentos para recalentar y absorber la grasa. Utilícelas con supervisión solo por poco tiempo de cocción.
Papel de horno	Utilícelo como cubierta para evitar salpicaduras o como envoltura para cocinar al vapor.
Plástico	Utilice solamente envolturas aptas para microondas. Siga las instrucciones del fabricante*. Utilice solamente si está etiquetado como "Apto para microondas". Algunos recipientes de plástico se ablandan al calentarse la comida en el interior. Las "Bolsas para hervir" y las bolsas de plástico selladas deben cortarse, perforarse o ventilarse, como se indica en el paquete.
Envoltura de plástico	Utilice solamente envolturas aptas para microondas. Utilícela para envolver los alimentos durante la cocción y para retener la humedad. No permita que la envoltura de plástico toque los alimentos.
Termómetros	Utilice solamente termómetros aptos para microondas (termómetros para carnes y caramelos).
Papel encerado	Utilícelo como cubierta para evitar salpicaduras y para retener la humedad.

Materiales a evitar en el horno microondas

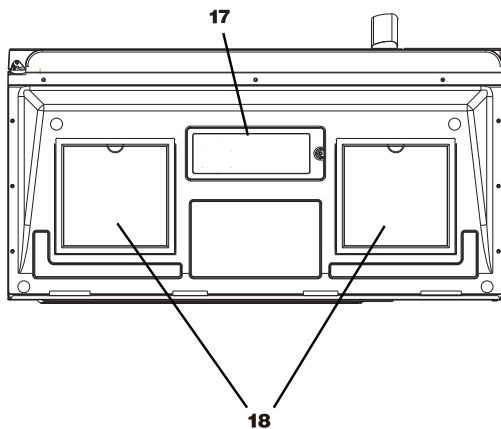
Utensilios	Comentarios
Bandeja de aluminio	Podría causar arcos eléctricos. Utilice un plato apto para microondas.
Cartón para alimentos con asa de metal	Podría causar arcos eléctricos. Utilice un plato apto para microondas.
Utensilios de metal o adornados con metal	El metal protege el alimento de la energía de microondas. Los adornos de metal pueden provocar arcos eléctricos.
Alambres de amarre	Podría causar arcos eléctricos y puede provocar un incendio en el horno microondas.
Bolsas de papel	Podría provocar un incendio en el horno microondas.
Espuma de plástico	La espuma de plástico puede derretir o contaminar el líquido en el interior cuando se expone a altas temperaturas.
Madera	La madera se seca cuando se usa en el horno microondas y puede partirse o agrietarse.

NOMBRES DE LAS PIEZAS

VISTA FRONTAL



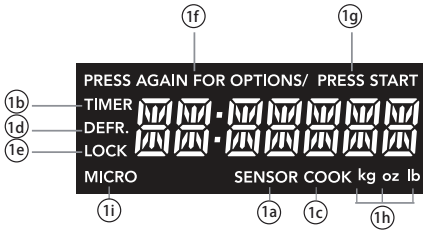
VISTA INFERIOR



1. Puerta del horno con ventana transparente
2. Bisagras de la puerta
3. Cubierta de la guía de ondas:
NO LA RETIRE.
4. Eje del motor del plato giratorio
5. Lámpara del horno microondas
Se enciende cuando el horno microondas está en funcionamiento o si la puerta se encuentra abierta.
6. Portarejillas
7. Pestillos de seguridad de la puerta
El horno microondas no funcionará a menos que la puerta esté bien cerrada.
8. Manija
9. Almohadilla iluminada de alto/bajo/apagado
Presione la almohadilla luminosa de **alto/bajo/apagado** una vez para alto, dos veces para bajo y tres veces para apagar la luz.
10. Almohadilla de ventilador de alto/bajo/apagado
Presione la almohadilla luminosa del **ventilador de alto/bajo/apagado** una vez para alta velocidad, dos veces para baja velocidad y tres veces para apagar el ventilador.
11. Panel de control con pantalla táctil automática
12. Visualización de la hora: Pantalla digital, 99 minutos, 99 segundos
13. Ranuras de ventilación
14. Plato giratorio extraíble
El plato giratorio girará en sentido horario o antihorario. Retire el plato giratorio solo para limpiarlo.
15. Soporte del plato giratorio extraíble
Primero, coloque cuidadosamente el soporte del plato giratorio en el eje del motor en el centro del piso del interior del horno microondas. Luego, coloque el plato giratorio en el soporte del plato giratorio de forma segura.
16. Rejilla para cocinar / recalentar de 2 niveles
17. Cubierta ligera
18. Filtros de grasa
19. Etiqueta de menú

PANEL DE CONTROL

La pantalla interactiva de 7 dígitos detalla los pasos de funcionamiento y muestra sugerencias de cocción.



Especificaciones

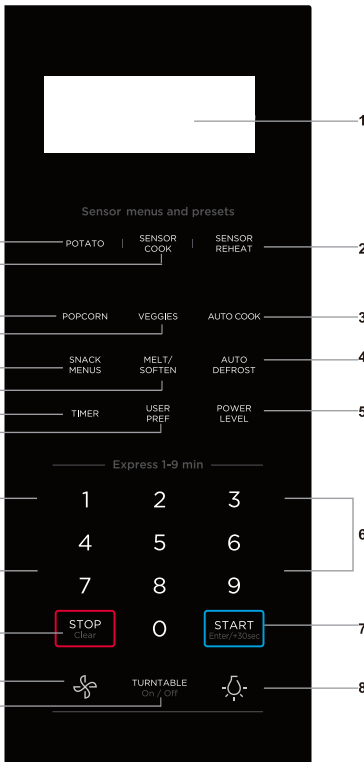
Instrucciones de seguridad

Materiales

Nombres de las piezas

Funcionamiento

Mantenimiento



(1) Pantalla:

La pantalla incluye un reloj e indicadores que muestran la hora del día, los ajustes del tiempo de cocción, potencia de cocción, sensor, cantidades, pesos y funciones de cocción seleccionadas.

1a. SENSOR:

Icono que se muestra cuando utiliza la cocción por sensor.

1b. TEMPORIZADOR:

Icono que se muestra cuando el temporizador se está configurando o funcionando.

1c. COCCIÓN:

Icono que se muestra al iniciar la cocción en el horno microondas.

1d. DESCONGELADO:

Icono que se muestra al descongelar los alimentos.

1e. SEGURO:

Icono que se muestra en el bloqueo de control.

1f. PRESIONE DE NUEVA PARA MÁS OPCIONES

Icono que se muestra cuando hay opciones adicionales disponibles.

1g. PRESIONE INICIO:

Icono que se muestra cuando se puede iniciar una función válida.

1h. kg, oz, lb:

Icono que se muestra cuando elige el peso.

1i. MICROONDAS:

Icono que se muestra cuando utiliza el horno microondas.

(2) **Sensor de recalentamiento** (5 ajustes diferentes) (P63)

(3) **Cocción automática** (P68)

(4) **Descongelación automática** (P73)

(5) **Nivel De Potencia** (11 niveles de potencia disponibles) (P59)

(6) **Almohadillas numéricas** (0 al 9)

(7) **INICIAR+30 SEGUNDOS** (P56)

(8) **Luz de superficie** (Alta / Baja / Apagada)
- Presione este botón para ajustar el brillo de las luces de superficie. (P85)

(9) **Papa** (1-4 papas) (P66)

(10) **Cocción por sensor** (P60)

(11) **Palomitas de maíz** (P64)

(12) **Vegetales** (P64)

(13) **Botanas** (P65)

(14) **Derretir Suavizar** (P67)

(15) **Temporizador** (Encendido-Apagado) (P84)

(16) **Reloj y configuración** (P55) (P78)

(17) **Arranque Rápido** (9 ajustes de botones instantáneos) (P56)

(18) **Detener/Borrar** (P55)

(19) **Exhaust (Alta / Baja / Apagada)** - Utilícelo para apagar el ventilador de extracción o para ajustar la velocidad del ventilador. (P85)

(20) **Charola giratoria** (Encendido-Apagado) (P85)

Nota: Para obtener información detallada, vaya a la página correspondiente indicada anteriormente.

- Antes de usar su nuevo horno, asegúrese de haber leído y entendido completamente esta Guía de uso y cuidado.
- El reloj se puede deshabilitar cuando el horno microondas se conecta por primera vez y se selecciona el botón STOP. Para volver a habilitar el reloj siga las instrucciones de configuración del reloj.

Para establecer la hora

- Suponga que desea ingresar la hora correcta del día 10:59.

Pulse:	Pantalla muestra:
1. User pref	<small>PRESS AGAIN FOR OPTIONS/</small> 12:00 ENTER TIME
2. ① ② ⑤ ⑨	<small>PRESS START</small> 10:59
3. "Start/Enter/+30 Sec"	10:59

NOTA

1. Si introduce una hora incorrecta (por ejemplo, 2:89), el 8 es un dígito no válido y no se puede introducir. Introduzca la hora correcta.
2. Si pulsa "Stop/Clear" mientras configura el reloj, la pantalla mostrará la última hora del día establecida o una pantalla en blanco si no se establece ninguna hora del día.

COCCIÓN MANUAL

Tiempo de cocción

Este horno microondas puede ser programado para 99 minutos y 99 segundos (99:99). Introduzca siempre los segundos después de los minutos, incluso si ambos son ceros.

- Suponga que desea cocinar durante 5 minutos, 30 segundos al 100% de potencia.

Pulse:

Pantalla muestra:

1. ⑤ ③ ①

5:30
PRESS START

2. "Start/Enter/+30 Sec"

5:30
COOK
Cuenta regresiva

Interrupción de la cocción

Puede detener el horno durante un ciclo tan solo abriendo la puerta. El horno dejará de calentar y el ventilador se apagará, pero la luz se mantendrá encendida. Para reiniciar la cocción, cierre la puerta y presione "Start/Enter/+30 Sec".

Si no desea continuar con la cocción, abra la puerta y presione "Stop Clear".

Uso del inicio con un solo toque

Este es un botón de ahorro de tiempo que iniciará automáticamente la cocción dos segundos después de haber sido seleccionado. Presione 1 durante 1 minuto, 2 durante dos minutos, hasta 9 durante nueve minutos.

Pulse:

Pantalla muestra:

1. ②

2:00
COOK
Cuenta regresiva

Uso de la función Agregar 30 Seg.

Este es un botón para ahorrar tiempo. Es una función simplificada que le permite ajustar e iniciar rápidamente la cocción al 100% de potencia.

- Sponga que desea cocinar durante 1 minuto.

Pulse:

Pantalla muestra:

1. "Start/Enter/+30 Sec"

:30
COOK

2. "Start/Enter/+30 Sec"

1:00
COOK
Cuenta regresiva

NOTA

Se mostrará el mensaje "Food" si no se selecciona un ciclo de cocción de inicio rápido o se presiona el botón +30 seg. después de 5 minutos de colocar la comida en el microondas. Abra y luego vuelva a cerrar la puerta para eliminar el mensaje "Food" de la pantalla.

Configuración del tiempo de cocción con el nivel de potencia

Esta función le permite programar un tiempo y una potencia de cocción específicos. Para obtener mejores resultados, hay 10 ajustes de nivel de potencia además de la potencia ALTA (100%).

- Suponga que desea cocinar durante 5 minutos, 30 segundos al 80% de potencia.

Pulse:	Pantalla muestra:
1. ⑤ ③ ①	5:30 <small>PRESS START</small>
2. "Power Level" 3 veces	PL-80 <small>PRESS START</small>
3. "Start/Enter/+30 Sec"	5:30 <small>COOK</small> Cuenta regresiva

NOTA

Si no selecciona un nivel de potencia, el horno automáticamente cocinará usando el nivel de potencia ALTA (100%).

Configuración de cocción de dos etapas

Para obtener mejores resultados, algunas recetas necesitan distintos niveles de potencia durante un ciclo de cocción. Puede programar su horno en dos etapas de niveles de potencia durante el ciclo de cocción.

- Suponga que desea establecer un ciclo de cocción de dos etapas. La primera etapa será de una cocción de 3 minutos al 80% de potencia, y la segunda será de 7 minutos al 50% de potencia.

Pulse:

Pantalla muestra:

1. ③ ① ①

Para establecer un tiempo de cocción de 3 minutos para la primera etapa.

3:00
PRESS START

2. "Power Level" 3 veces

PL-80
PRESS START

3. ⑦ ① ①

Para establecer un nivel de potencia de 7 minutos para la segunda etapa.

7:00
PRESS START

4. "Power Level" 6 veces

PL-50
PRESS START

NOTA

Puede programa una segunda etapa con un nivel de potencia "0" para usarlo como tiempo de reposo dentro del horno.

5. "Start/Enter/+30 Sec"

3:00
COOK

Cuenta regresiva

Para establecer el nivel de potencia

Hay once niveles de potencia preestablecidos.

El uso de niveles de potencia más bajos aumenta el tiempo de cocción, lo que es recomendable para alimentos como el queso, la leche y la cocción lenta y prolongada de carnes.

Consulte el libro de cocina o las recetas para obtener recomendaciones específicas.

PRESIONAR EL BOTÓN POWER LEVEL VARIAS VECES PARA OBTENER LA POTENCIA DESEADA	PORCENTAJE APROXIMADO DE POTENCIA	PALABRAS COMUNES POR NIVEL DE POTENCIA
POWER LEVEL x 1	100%	Alto
POWER LEVEL x 2	90%	
POWER LEVEL x 3	80%	
POWER LEVEL x 4	70%	Medio Alto
POWER LEVEL x 5	60%	
POWER LEVEL x 6	50%	Medio
POWER LEVEL x 7	40%	
POWER LEVEL x 8	30%	Medio Bajo / Descongelar
POWER LEVEL x 9	20%	
POWER LEVEL x 10	10%	Bajo
POWER LEVEL x 11	0%	

Uso de la rejilla

La rejilla permite cocinar o recalentar diversos alimentos a la vez.

Sin embargo, para una mejor cocción y recalentamiento, utilice la función Encendido del plato giratorio y cocine con SENSOR COOKING o AUTO COOKING sin la rejilla. Al utilizar la rejilla, establezca el tiempo y el nivel de potencia manualmente. Deje suficiente espacio alrededor y entre los platos. Preste especial atención al progreso de la cocción o recalentado. Vuelva a colocar los alimentos e inviértalos de la rejilla al plato giratorio o revuélvalos al menos una vez durante cualquier tiempo de cocción o recalentamiento. Después de cocinar o recalentar, revuelva si es posible. Si utiliza un nivel de potencia bajo le ayudará a obtener una mejor uniformidad de cocción y recalentamiento.

Evite:

- Guardar la rejilla en el horno microondas cuando no esté en uso.
- Preparar palomitas de maíz con la rejilla en el horno microondas.
- Utilizar una fuente para dorar en la rejilla.
- Utilizar la función SENSOR COOKING y AUTO COOKING con la rejilla en el interior del horno microondas.
- Cocinar directamente sobre la rejilla. Utilice utensilios aptos para microondas.

NOTA

La función de encendido / apagado del plato giratorio se puede utilizar en el funcionamiento manual. Consulte la página 85.

Descongelación manual

Si los alimentos que desea descongelar no están en la lista de la tabla de Descongelación o están por encima o por debajo de los límites en la columna de cantidad en la tabla de Descongelación (vea la página 75-76), deberá descongelar manualmente.

Puede descongelar cualquier alimento congelado, ya sea crudo o previamente cocido, usando el nivel de potencia del 30%.

Para los alimentos congelados crudos o previamente cocinados, la regla general es de aproximadamente 4 minutos por libra. Por ejemplo, descongele durante 4 minutos por 1 libra de salsa de espaguetis congelada.

Detenga siempre el horno periódicamente para retirar o separar las porciones descongeladas. Si los alimentos no se descongelan al final del tiempo estimado de descongelación, programe el horno en incrementos de 1 minuto en el nivel de potencia del 30% hasta que se descongelen totalmente.

Cuando utilice recipientes de plástico para congelar, descongele solo el tiempo suficiente para sacar el alimento contenido en el recipiente y colocarlo en un recipiente apto para microondas.

COCCIÓN POR SENSOR

La cocción por sensor emplea un sensor de control electrónico que detecta el vapor (humedad) emitido por los alimentos al calentarse. El sensor establece de forma automática los tiempos de cocción y el nivel de potencia para diferentes alimentos y cantidades.

Uso de los ajustes del sensor:

1. Asegúrese de que el exterior del recipiente de cocción y el interior del horno estén secos. Limpie la humedad con un paño seco o una toalla de papel.
2. El horno funciona con alimentos a temperatura normal de almacenamiento. Por ejemplo, con las palomitas de maíz funcionaría a temperatura ambiente.
3. Si tiene más o menos comida que la cantidad indicada en la tabla, debe cocinarla siguiendo los pasos de cualquier libro de cocina para horno microondas.

4. Durante la primera parte de la SENSOR COOKING, aparecerá el nombre del alimento en la pantalla. No abra la puerta del horno ni presione el botón **Stop Clear** durante esta parte del ciclo. Se interrumpirá la medición del vapor. Cuando el sensor detecta el vapor emitido por los alimentos, aparecerá el tiempo restante de cocción. Puede abrir la puerta cuando aparece el tiempo de cocción restante en la pantalla. En este momento, puede revolver o condimentar los alimentos, según desee.
5. Si el sensor no detecta el vapor correctamente al cocinar palomitas de maíz, el horno se apagará y se mostrará la hora actual en la pantalla. Si el sensor no detecta el vapor apropiadamente al cocinar otros alimentos, se mostrará un código de error y el horno se apagará.
6. Verifique la temperatura de los alimentos después de la cocción. Si es necesario cocinar durante más tiempo hágalo de manera manual.

Envoltura de alimentos:

Utilice la envoltura recomendada en la tabla de alimentos:

1. Tapa de cacerola.
2. Envoltura de plástico: Utilice una envoltura de plástico recomendada para cocción en microondas. Envuelva el plato de forma suelta; deje un espacio de casi 1/2 pulgada sin cubrir para permitir la salida de vapor. La envoltura de plástico no debe tocar los alimentos.
3. Papel encerado: Cubra el plato completamente; doble el exceso de la envoltura debajo del plato para asegurarlo. Si el plato es más ancho que el papel, sobreponga por lo menos una pulgada de dos pedazos para cubrirlo.

Tenga cuidado al retirar cualquier envoltura para permitir la salida de vapor lejos de usted.

NOTAS PARA LA COCCIÓN POR SENSOR

1. El resultado final de cocción variará según el estado de los alimentos (por ejemplo, la temperatura inicial, la forma, la calidad). Verifique la temperatura de los alimentos después de la cocción. Si es necesario cocinar durante más tiempo hágalo de manera manual.
2. Permanezca cerca del horno mientras está en uso y verifique el progreso de la cocción con frecuencia para evitar que los alimentos se cocinen demasiado.
3. Cuando se selecciona SENSOR COOKING, el encendido del plato giratorio se configura automáticamente para una cocción óptima.

Cocción por sensor

Usted puede cocinar los alimentos presionando el botón **Sensor Cook** varias veces. No es necesario calcular el tiempo de cocción ni el nivel de potencia.

- Sponga que desea preparar el desayuno congelado

Pulse:

Pantalla muestra:

1. "Sensor Cook"

PRESS AGAIN FOR OPTIONS/ PRESS START

BACON
SENSOR

2. "Sensor Cook"

PRESS AGAIN FOR OPTIONS/ PRESS START

FROZEN DINNER
SENSOR

3. "Sensor Cook"

PRESS AGAIN FOR OPTIONS/ PRESS START

RICE
SENSOR

4. "Sensor Cook"

PRESS AGAIN FOR OPTIONS/ PRESS START

FROZEN BREAKFAST
SENSOR

5. "Start/Enter/+30 Sec"

FROZEN BREAKFAST

SENSOR COOK

Tabla de cocción por sensor

ALIMENTO	CANTIDAD	PROCEDIMIENTO
1. Tocino	1-3 rebanadas	Coloque las tiras de tocino en una rejilla para microondas para obtener mejores resultados. (Utilice un plato revestido con toallas de papel si la rejilla no está disponible).
2. Cena congelada	10 onzas/ 20 onzas	Coloque en un recipiente de tamaño apropiado apto para microondas. Cubra con una envoltura de plástico. Después de cocinar, revuelva y deje reposar durante 3 minutos.
3. Arroz	1-2 tazas	Coloque el arroz y el doble de líquido (agua, caldo de pollo o verduras) en un recipiente de 2 litros apto para microondas. Utilice plástico para cubrir el recipiente y haga agujeros para ventilar. Después de cocinar, deje reposar durante 10 minutos. Revuelva para obtener un arroz más esponjoso.
4. Desayuno congelado	8-12 onzas	Coloque en un recipiente de tamaño apropiado apto para microondas. Cubra con una envoltura de plástico. Después de cocinar, revuelva y deje reposar durante 3 minutos.

Sensor de recalentamiento

Pulse:	Pantalla muestra:
1. "Sensor Reheat"	PRESS AGAIN FOR OPTIONS/ PRESS START BEVERAGE
2. "Sensor Reheat"	PRESS AGAIN FOR OPTIONS/ PRESS START DINNER PLATE SENSOR
3. "Sensor Reheat"	PRESS AGAIN FOR OPTIONS/ PRESS START SOUP SAUCE SENSOR
4. "Sensor Reheat"	PRESS AGAIN FOR OPTIONS/ PRESS START CASSEROLE SENSOR
5. "Sensor Reheat"	PRESS AGAIN FOR OPTIONS/ PRESS START ROLLS SENSOR
6. "Start/Enter/+30 Sec"	ROLLS SENSOR COOK

Tabla del sensor de recalentamiento

ALIMENTO	CANTIDAD	PROCEDIMIENTO
Bebida	1 - 3 tazas	Para recalentar bebidas. Revuelva el líquido rápidamente antes y después de calentar para evitar erupciones.
Plato de cena	1-2 platos	Coloque en un plato bajo. Cubra con una envoltura plástica ventilada. Deje reposar 3 minutos después de cocinar.
Sopa / Salsa	1 taza	Coloque en una recipiente poco profundo apto para microondas. Cubra con una envoltura plástica ventilada. Después de cocinar, revuelva y deje reposar 3 minutos.
Cazuela / Lasagna	10.5 onzas	Coloque en un bol o contenedor para microondas. Cubra con una envoltura plástica ventilada. Después de cocinar, revuelva y deje reposar 3 minutos.
Panecillo / Muffin	1-3 porciones	Coloque sobre una toalla de papel. No cubra.

COCCIÓN CON UN SOLO TOQUE

Palomitas de maíz

El botón Popcorn en el panel táctil rápido le permite preparar palomitas de maíz para microondas de 3.3, 3.0 o 1.75 onzas. Coloque un solo paquete a la vez. Si utiliza una máquina de palomitas de maíz para microondas, siga las instrucciones del fabricante.

- Suponga que desea preparar palomitas de maíz de 3.3 onzas.

Pulse:

Pantalla muestra:

1. "Popcorn"

PRESS AGAIN FOR OPTIONS/ PRESS START

3.3

oz

2. "Start/Enter/+30 Sec"

POPCORN

COOK

Cuenta regresiva

Cantidad

Presione el botón popcorn

3.30 onzas

una vez

3.00 onzas

2 veces

1.75 onzas

3 veces

Vegetales

La función Vegetales tiene 2 opciones (Vegetales congelados, Vegetales frescos).

- Suponga que desea cocinar dos tazas de verduras congeladas.

Pulse:

Pantalla muestra:

1. "Veggies"

PRESS AGAIN FOR OPTIONS/ PRESS START

FRESH

2. "Veggies"

PRESS AGAIN FOR OPTIONS/ PRESS START

FROZEN

3. "Start/Enter/+30 Sec"

FROZEN VEGGIES

COOK

Cuenta regresiva

NOTAS

1. Retire la rejilla de metal del horno microondas antes de preparar las palomitas de maíz. No utilice bolsas de papel normales. No vuelva a hacer estallar los granos sin reventar. No prepare palomitas de maíz en recipientes de vidrio.

Tabla para verduras

ALIMENTO (Temperatura inicial)	CANTIDAD	PROCEDIMIENTO
1. Vegetales congelados (-0.4F)	2 tazas	No es necesario añadir agua. Cubra el contenido con una tapa o un envoltorio de plástico. Presione el botón Vegetables dos veces para las verduras congeladas. Después de cocinar, revuelva, deje reposar, cubierto, durante 3 minutos.
2. Vegetales frescos (41F) Brócoli Col de bruselas Repollo Coliflor (flores) Coliflor (entera) Espinaca Calabacín	2 tazas	Lave y coloque en la cacerola. No añada agua si las verduras acaban de ser lavadas. Cubra con la tapa para las verduras tiernas. Utilice un envoltorio de plástico para las verduras tiernas y crujientes. Presione el botón Vegetables una vez para las verduras frescas. Después de cocinar, revuelva, deje reposar, cubierto, de 2 a 5 minutos.
Zanahoria en rodajas Mazorca de maíz Vainita Zapallo de invierno - en cubitos - en mitades		Lave y coloque en la cacerola. Añade de 1 a 4 cucharadas de agua. Cubra con la tapa para las verduras tiernas. Utilice un envoltorio de plástico para las verduras tiernas y crujientes. Presione el botón Vegetables una vez para las verduras frescas. Después de cocinar, revuelva, deje reposar, cubierto, de 2 a 5 minutos.

Menú de aperitivos

El Menú de aperitivos es para cocinar / calentar alimentos que requieren poco tiempo.

- Suponga que desea recalentar 3 perros calientes.

Pulse:

Pantalla muestra:

1. " Snack Menu "

PRESS AGAIN FOR OPTIONS/ PRESS START
FROZEN PIZZA

2. " Snack Menu "

PRESS AGAIN FOR OPTIONS/ PRESS START
HOT DOGS

3. "Start/Enter/+30 Sec"

1-6

Pulse:

Pantalla muestra:

4. ③

PRESS START
3

5. "Start/Enter/+30 Sec"

HOT 3005
COOK

Cuenta regresiva

Tabla de menú de aperitivos

ALIMENTO	CANTIDAD	PROCEDIMIENTO
1. Pizza congelada para microondas	(6 - 8 onzas)	Utilice para pizza congelada de horno microondas. Retire de la caja y siga las instrucciones del paquete. Siga las instrucciones del paquete para la cantidad correcta y uso del disco de aluminio.
2. Perros calientes	1 - 6 piezas	Coloque el perro caliente en el pan. Envuelva cada uno con papel toalla o servilleta.
3. Comida en una taza	2.39 onzas	Esta configuración es ideal para porciones individuales de alimentos enlatados envasados en un recipiente pequeño apto para microondas, generalmente de 6 a 8 onzas. Después de la cocción, revuelva la comida y déjela reposar durante 1 o 2 minutos.
4. Comida congelada	8. 8 onzas	Utilice este botón para alimentos congelados y cocinados previamente. Retire la cubierta de la caja y siga las instrucciones del paquete. Después de cocinar, deje reposar, cubierto de 1 a 3 minutos. Obtendrá resultados satisfactorios para la mayoría de las comidas congeladas.

Papa

- Suponga que desea cocinar de 1 a 4 papas al horno.

Pulse:

Pantalla muestra:

1. "Potato"

PRESS START
POTATO
SENSOR

2. "Start/Enter/+30 Sec"

POTATO
SENSOR COOK

NOTAS

1. Los tiempos de cocción se basan en una papa promedio de 8 onzas.

Tabla de patata al horno

ALIMENTO	CANTIDAD	PROCEDIMIENTO
Papa*	1-4 porciones	Perfore la papa con un tenedor en varias partes. Coloque en un papel toalla sobre el plato giratorio. Después de cocinarlas, retírelas del horno y déjelas reposar envueltas durante 5 minutos.

* No es necesario introducir cantidad o número.

Configuración de función fundir/ablandar

El horno utiliza baja potencia para fundir y ablandar los alimentos. Consulte la siguiente tabla.

- Suponga que desea derretir dos barras de mantequilla.

Pulse:

Pantalla muestra:

1. "Melt/Soften"

PRESS AGAIN FOR OPTIONS/ PRESS START
MELT BUTTER

2. "Start/Enter/+30 Sec"

ENTER 1-2 STK

3. ②

PRESS START
2 STICK

4. "Start/Enter/+30 Sec"

MELT BUTTER
COOK
Cuenta regresiva

Tabla para derretir

CATEGORÍA	CANTIDAD	DIRECCIÓN
MANTEQUILLA	1 o 2 palitos	Desenvuelva y coloque en un recipiente apto para microondas. No es necesario cubrir la mantequilla. Revuelva al finalizar la cocción hasta que se derrita por completo.
CHOCOLATE	2, 4 o 8 onzas	Se pueden utilizar trocitos o cuadrados de chocolate para hornear. Desenvuelva los cuadrados de chocolate y colóquelos en un recipiente apto para microondas. Revuelva al finalizar la cocción hasta que se derrita por completo. Pinte
HELADO	Degustación, 1.5 litros.	Coloque el recipiente en el horno. El helado quedará lo suficientemente suave para hacerlo más fácil.

TABLA PARA DERRETIR

CATEGORÍA	CANTIDAD	DIRECCIÓN
QUESO CREMA	3 o 8 onzas	Desenvuelva y coloque en un recipiente apto para microondas. El queso crema estará a temperatura ambiente y listo para usar en la receta.

COCCIÓN AUTOMÁTICA

Cocción automática

La cocción automática se divide en 2 partes: comidas rápidas (huevos revueltos, cereales calientes, pizza congelada, brownies de chocolate) y recetas para la cena (camarones al ajo, papas rojas asiago, verduras asadas, risotto de limón y camarones, chili de pollo blanco).

Botón	Alimento	Cantidad
Auto Cook x1	Huevos revueltos	1-6 huevos
Auto Cook x2	Cereal caliente	1-3 porciones
Auto Cook x3	Pizza congelada	12 onzas
Auto Cook x4	Brownies de chocolate	18-19 onzas
Auto Cook x5	Camarones al ajo	Por receta
Auto Cook x6	Champiñones rellenos	Por receta
Auto Cook x7	Papas rojas asiago	Por receta
Auto Cook x8	Ensalada de verduras asadas	Por receta
Auto Cook x9	Risotto de camarones y limón	Por receta
Auto Cook x10	Chili de pollo blanco	Por receta

Comidas rápidas

- Suponga que desea preparar cereales calientes para tres personas.

Pulse:

Pantalla muestra:

1. "Auto Cook"

PRESS AGAIN FOR OPTIONS/ PRESS START
SCRAMBLE] EGGS

2. "Auto Cook"

PRESS AGAIN FOR OPTIONS/ PRESS START
HOT CEREAL

Pulse: Pantalla muestra:

3. "Start/Enter/+30 Sec" 1-3 SERVING

4. ③ 3 SERVINGS PRESS START

5. "Start/Enter/+30 Sec" HOT CEREAL COOK
Cuenta regresiva

NOTAS

Si selecciona "AUTO COOKING", el plato giratorio se enciende automáticamente para una cocción óptima.

Tabla de comidas rápidas

ALIMENTO	CANTIDAD	PROCEDIMIENTO
1. Huevos revueltos	1-6 huevos	Úselo para huevos congelados, cereales calientes, pizzas. Retire del paquete y desenvuelva. Siga las instrucciones del paquete para la cantidad correcta y uso del disco de aluminio.
2. Cereal caliente	1-3 porciones	Coloque el perro caliente en el pan. Envuelva cada uno con papel toalla o servilleta.
3. Pizza congelada	12 onzas	Esta configuración es ideal para porciones individuales de alimentos enlatados envasados en un recipiente pequeño apto para microondas, generalmente de 6 a 8 onzas. Retire la tapa de metal interior y vuelva a colocar la tapa exterior para microondas. Después de la cocción, revuelva la comida y déjela reposar durante 1 o 2 minutos.
4. Brownies de chocolate	18-19 onzas	Prepare la mezcla de brownie de acuerdo con las instrucciones del paquete. Coloque la masa en un recipiente de vidrio apto para microondas de 8 x 8 pulgadas que haya sido cubierto con aceite en aerosol. Seleccione "Fudge Brownies" en el menú Auto Cook.

Recetas para la cena

- Suponga que desea cocinar camarones al ajo.

Pulse:

Pantalla muestra:

1. "Auto Cook"

PRESS AGAIN FOR OPTIONS/ PRESS START
SCRAMBLED EGGS

2. "Auto Cook"

PRESS AGAIN FOR OPTIONS/ PRESS START
HOT CEREAL

3. "Auto Cook"

PRESS AGAIN FOR OPTIONS/ PRESS START
FROZEN PIZZA

4. "Auto Cook"

PRESS AGAIN FOR OPTIONS/ PRESS START
FUDGE BROWNIES

5. "Auto Cook"

PRESS AGAIN FOR OPTIONS/ PRESS START
GARLIC SHRIMP

6. "Start/Enter/+30 Sec"

GARLIC SHRIMP
COOK

Cuenta regresiva

Recetas para la cena

Camarones al ajo

- ¼ de taza de mantequilla
- 6 dientes de ajo picados
- 2 cucharadas de cebollín fresco picado
- 2 cucharadas de jugo de limón
- 1 cucharada de pasta de pimienta
- Sal al gusto
- 1 libra de camarones grandes crudos, pelados y desvenados

Coloque la mantequilla en una cacerola con tapa de 2 litros apta para microondas. Cocine en el microondas a alta potencia durante 1 minuto o hasta que la mantequilla se derrita. Añada el ajo y cocine en el microondas durante un minuto más. Añada el cebollín, el jugo de limón, la pasta de pimienta y la sal. Añada los camarones, revolviendo para cubrirlos uniformemente. Cubra, y cocine en el microondas a alta potencia durante 5 minutos, o hasta que los camarones se oscurezcan, revolviendo después de 3 minutos. Sirva sobre arroz cocido caliente si lo desea.

Champiñones rellenos

- 1 libra de champiñones enteros
- 2 cucharadas de mantequilla derretida
- 1 manojo de cebolla verde picada
- ¼ de taza de queso parmesano rallado
- 2 cucharadas de pan rallado
- 1 cucharadita de jugo de limón
- ¼ de cucharadita de ajo pimienta
- Pimienta roja machacada al gusto

Retire los tallos de los champiñones y déjelos a un lado. Coloque los champiñones en un recipiente apto para microondas. Pique finamente los tallos de los champiñones. Combine la mantequilla, los tallos de los hongos picados y la cebolla verde en un plato de 1 litro apto para el microondas; caliéntelo en el microondas a alta potencia durante 2 minutos. Agregue los ingredientes restantes y mezcle bien. Con una cuchara, coloque el relleno en los champiñones. Cocine en el microondas a alta potencia durante 4 o 5 minutos, o hasta que los champiñones estén tiernos.

Papas rojas asiago

- 1¼ de libra de tomates rojos, pelados y finamente rebanados
- 2 cucharadas de harina para todo uso
- ½ cucharadita de sal
- 1¼ tazas de leche
- 1 cucharada de mantequilla derretida
- 5 onzas de queso asiago rallado

Mezcle las papas, la harina y la sal en una bolsa de plástico con cierre; selle la bolsa y agite para cubrir las papas. Coloque las papas en una cacerola de 2 litros ligeramente engrasada apta para microondas. Añada la leche y la mantequilla, revolviendo bien. Cubra y cocine en el microondas a 80% de potencia durante 12 minutos o hasta que las papas estén tiernas; espolvoree con queso y cocine en el microondas al 80% de potencia durante un minuto más o hasta que el queso se derrita.

Ensalada de verduras asadas

- 1 taza de zanahorias pequeñas
- 1 taza de calabaza amarilla en rodajas
- 1 taza de calabacín en rodajas
- ½ taza de pimiento rojo rebanado
- ½ taza de cebolla finamente rebanada
- 1 cucharada de mantequilla
- Ajo y hierbas condimentadas al gusto

Combine las zanahorias, la calabaza, el calabacín, el pimiento y la cebolla en una cacerola de 2 litros apta para microondas. Puntee con mantequilla y espolvoree con condimento. Cubra, y ponga el microondas a alta potencia durante 8 minutos o hasta el grado deseado de cocción.

Risotto de camarones y limón

2 cucharaditas de mantequilla
2 cucharaditas de aceite de oliva
2 cucharadas de chalota finamente picada
4 tazas de caldo de pollo
¼ taza de jugo de limón fresco exprimido
2 tazas de risotto
1 libra de camarones medianos, pelados y desvenados
1 taza de guisantes congelados, descongelados
2 cucharaditas de ralladura de limón
¼ de cucharadita de pimienta negra
¾ de cucharadita de sal

Combine el caldo de pollo y el jugo de limón en un recipiente de 1 litro apto para microondas. Cocine en el microondas a alta potencia durante 1 minuto o hasta que la chalota esté tierna. Retire.

Combine el caldo de pollo y el jugo de limón en un recipiente de 2 litros apto para microondas. Cubra con una tapa o envoltura de plástico ventilada. Cocine en el microondas a alta potencia durante 10 minutos. Agregue la mezcla de chalotas y el risotto. Cubra y continúe la cocción en el microondas al 50% de potencia durante 20 minutos. Añada el camarón, los guisantes, la ralladura de limón, la pimienta y la sal. Cubra y cocine en el microondas al 50% de potencia durante 5 minutos o hasta que los camarones se oscurezcan.

Chili de pollo blanco

1 libra de pechuga de pollo deshuesada, sin piel, en cubos
½ taza de cebolla picada
3 dientes de ajo picados
1 (15 onzas) de frijoles blancos, escurridos
1 (4 onzas) de pimiento verde picado
1 taza de caldo de pollo
1 ½ cucharadita de chile en polvo
¾ de cucharadita de comino
½ cucharadita de sal
½ cucharadita de pimienta negra
½ taza de cilantro fresco picado
2 cucharadas de jugo de limón fresco

Combine el pollo, la cebolla y el ajo en un recipiente de 2.5 litros apto para microondas. Cubra y cocine en el microondas durante 6 minutos, o hasta que el pollo esté completamente cocido y la cebolla esté tierna, revolviendo después de 3 minutos.

Añada los frijoles blancos, pimiento, caldo de pollo, pimiento en polvo, comino, sal y pimienta, revolviendo bien. Cubra y cocine en el microondas a temperatura alta durante 10 minutos, revolviendo después de 5 minutos.

Añada el cilantro y el jugo de limón antes de servir.

DESCONGELACIÓN AUTOMÁTICA

Uso de la descongelación automática

La función de descongelación automática le proporciona el mejor método de descongelación para alimentos congelados. La guía de cocción le mostrará qué secuencia de descongelación se recomienda para el alimento que está descongelando.

Para mayor comodidad, el descongelamiento automático incluye un mecanismo de pitidos incorporado que le recuerda que debe revisar, dar la vuelta, separar o reorganizar los alimentos para obtener los mejores resultados de descongelación. Se proporcionan tres niveles diferentes de descongelación:

1. CARNE
2. POLLO
3. PESCADO

El peso disponible es 0.1-6.0 lbs.

- Suponga que desea descongelar 1.2 libras de pescado.

Pulse:	Pantalla muestra:
1. "Auto Defrost"	<small>PRESS AGAIN FOR OPTIONS/ PRESS START</small> MEAT
2. "Auto Defrost"	<small>PRESS AGAIN FOR OPTIONS/ PRESS START</small> POULTRY
3. "Auto Defrost"	<small>PRESS AGAIN FOR OPTIONS/ PRESS START</small> FISH
4. "Start/Enter/+30 Sec"	ENTER WEIGHT lb
5. ① y ② Introducir el peso	<small>PRESS START</small> 1.2 lb
6. "Start/Enter/+30 Sec"	<small>DEFR.</small> FISH Cuenta regresiva

NOTAS

El horno emitirá un pitido durante el ciclo de "DESCONGELACIÓN". En este momento, abra la puerta y gire, separe o reorganice los alimentos. Retire las porciones que se hayan descongelado. Regrese las porciones congeladas al horno y pulse "Start/Enter/+30 Sec" para reanudar el ciclo de descongelación.

Consejos de funcionamiento

- Para obtener mejores resultados, retire el pescado, el marisco, la carne y las aves de su paquete original cerrado de papel o plástico (envoltorio). De lo contrario, el envoltorio mantendrá el vapor y el jugo cerca de los alimentos, lo que puede causar que la superficie exterior de los alimentos se cocine.
- Para obtener mejores resultados, enrolle la carne molida en una bola antes de congelarla. Durante el ciclo de DESCONGELACIÓN, el microondas indicará cuándo es el momento de dar la vuelta a la carne. Quite el exceso de escarcha de la carne y continúe descongelándola.
- Coloque los alimentos en un recipiente poco profundo o en una rejilla de asado para microondas para atrapar las gotas de grasa.

Esta tabla muestra las selecciones de tipos de alimentos y los pesos que puede establecer para cada tipo. Para obtener mejores resultados, afloje o retire la cubierta de los alimentos.

PULSE LA TECLA	Categoría	PESOS QUE PUEDE ESTABLECER (décimas de una libra)
Descongelación automática X 1	Carne	0.1 a 6.0 lbs
Descongelación automática X 2	Pollo	0.1 a 6.0 lbs
Descongelación automática X 3	Pescado	0.1 a 6.0 lbs

Tabla de conversión de peso

Probablemente esté acostumbrado a medir los alimentos en libras y onzas que son fracciones de una libra (por ejemplo, 4 onzas es igual a 1/4 libra). Sin embargo, con el fin de introducir el peso de los alimentos en Descongelación Automática, debe especificar libras y décimas de una libra. Si el peso en el paquete de alimentos está en fracciones de una libra, puede utilizar la siguiente tabla para convertir el peso en decimales.

Peso equivalente	
ONZAS	PESO DECIMAL
1.6	10
3.2	20
4.0	25 Un cuarto de libra
4.8	30
6.4	40
8.0	50 Media libra
9.6	60
11.2	70
12.0	75 Tres cuartos de libra
12.8	80
14.4	90
16.0	1.0 Una libra

NOTAS

Si el peso está entre dos decimales, coloque el peso inferior hacia abajo para obtener mejores resultados de descongelación.

Tabla de descongelación automática

NOTA: La carne de forma irregular y grandes trozos grasos de carne deben tener las áreas estrechas o grasas protegidas con papel de aluminio al inicio de la secuencia de descongelación.

Configuración para carne

ALIMENTO	CONFI- GURACIÓN	EN EL PITIDO	INSTRUCCIONES ESPECIALES
CARNE DE RES			
Carne molida, a granel	CARNE	Retire las porciones descongeladas con un tenedor. Dar la vuelta. Regrese el resto al horno.	No descongele menos de 1/4 lb. Congele en forma de bola.
Carne molida, hamburguesas	CARNE	Separar y volver a colocar.	No descongele hamburguesas de menos de 2 onzas. Presione el centro cuando se congele.
Bistec redondo	CARNE	Dar la vuelta. Cubre las áreas calientes con papel de aluminio.	Coloque en un recipiente apto para microondas.
Filete de lomo	CARNE	Dar la vuelta. Cubre las áreas calientes con papel de aluminio.	Coloque en un recipiente apto para microondas.
Estofado de carne	CARNE	Retire las porciones descongeladas con un tenedor. Separar el resto.	Coloque en un recipiente apto para microondas.
Asado de carne, asado de cerdo	CARNE	Regrese el resto al horno.	Coloque en un recipiente apto para microondas.
Asado de costilla	CARNE	Dar la vuelta. Cubre las áreas calientes con papel de aluminio.	Coloque en un recipiente apto para microondas.
Rollo de asado	CARNE	Dar la vuelta. Cubre las áreas calientes con papel de aluminio.	Coloque en un recipiente apto para microondas.
CORDERO			
Cubos para estofado	CARNE	Dar la vuelta. Cubre las áreas calientes con papel de aluminio.	Coloque en un recipiente apto para microondas.
Chuletas (1 pulgada de espesor)	CARNE	Retire las porciones descongeladas con un tenedor. Regrese el resto al horno.	Coloque en un recipiente apto para microondas.
PUERCO			
Chuletas (1/2 pulgada de espesor)	CARNE	Separar y volver a colocar.	Coloque en un recipiente apto para microondas.
Perros calientes	CARNE	Separar y volver a colocar.	Coloque en un recipiente apto para microondas.
Costillas de cerdo estilo campestre	CARNE	Dar la vuelta. Cubre las áreas calientes con papel de aluminio.	Coloque en un recipiente apto para microondas.
Salchicha, Enlaces	CARNE	Separar y volver a colocar.	Coloque en un recipiente apto para microondas.
Salchicha, a granel	CARNE	Retire las porciones descongeladas con un tenedor. Dar la vuelta. Regrese el resto al horno.	Coloque en un recipiente apto para microondas.
Lomo asado, sin hueso	CARNE	Dar la vuelta. Cubre las áreas calientes con papel de aluminio.	Coloque en un recipiente apto para microondas.

Tabla de descongelación automática (Continuación)

Configuración para aves de corral

ALIMENTO	CONFI- GURACIÓN	EN EL PITIDO	INSTRUCCIONES ESPECIALES
POLLO			
Entero (hasta 6 libras)	POLLO	Voltee la pechuga hacia abajo. Cubre las áreas calientes con papel de aluminio.	Coloque la pechuga de pollo hacia arriba en un recipiente apto para microondas. Termine de descongelar sumergiendo en agua fría. Retire las menudencias cuando el pollo esté parcialmente descongelado.
Cortado		Separe las piezas y vuelva a colocarlas. Dar la vuelta. Cubre las áreas calientes con papel de aluminio.	Coloque en un recipiente apto para microondas. Termine de descongelar sumergiendo en agua fría.
PECHUGA			
Gallinas enteras	POLLO	Dar la vuelta. Cubre las áreas calientes con papel de aluminio.	Coloque en un recipiente apto para microondas. Termine de descongelar sumergiendo en agua fría.
PAVO			
Pechuga (hasta 6 libras)	POLLO	Dar la vuelta. Cubre las áreas calientes con papel de aluminio.	Coloque en un recipiente apto para microondas. Termine de descongelar sumergiendo en agua fría.

Configuración para pescado

ALIMENTO	CONFI- GURACIÓN	EN EL PITIDO	INSTRUCCIONES ESPECIALES
PESCADO			
Filetes	PESCADO	Dar la vuelta. Separe los filetes cuando estén parcialmente descongelados, si es posible.	Coloque en un recipiente apto para microondas. Separe cuidadosamente los filetes con agua fría.
Bistecs	PESCADO	Separar y volver a colocar.	Coloque en un recipiente apto para microondas. Coloque agua fría encima para terminar de descongelar.
Entero	PESCADO	Dar la vuelta	Coloque en un recipiente apto para microondas. Cubra la cabeza y la cola con papel de aluminio; no deje que la lámina toque los lados del microondas. Termine de descongelar sumergiendo en agua fría.
PESCADO DE MARCA			
Carne de cangrejo	PESCADO	Separar. Dar la vuelta.	Coloque en un recipiente apto para microondas.
Colas de langosta	PESCADO	Separar. Dar la vuelta.	Coloque en un recipiente apto para microondas.
Camarones	PESCADO	Separar. Dar la vuelta.	Coloque en un recipiente apto para microondas.
Escalopas	PESCADO	Separar. Dar la vuelta.	Coloque en un recipiente apto para microondas.

Consejos para la descongelación

- Cuando se utiliza Descongelación automática, el peso a introducir es el peso neto en libras y décimas de libras (el peso de la comida menos el envase).
- Antes de comenzar, asegúrese de quitar todos y cada uno de los ganchos metálicos que suelen venir con bolsas de alimentos congelados y reemplazarlos con cuerdas o bandas elásticas.
- Abra los envases, como los cartones, antes de colocarlos en el horno.
- Siempre corte o perforo las bolsas de plástico o los envases.
- Si los alimentos están envueltos en papel aluminio, retire el papel aluminio y coloque los alimentos en un recipiente adecuado.
- Retire la piel de los alimentos con piel, como las salchichas.
- Doble las bolsas de plástico de los alimentos para asegurar una descongelación uniforme.
- Siempre subestime el tiempo de descongelación. Si los alimentos descongelados todavía están helados en el centro, devuélvalos al horno de microondas para continuar con la descongelación.
- La duración del tiempo de descongelación varía según la forma en que los alimentos estén congelados.
- La forma del envase afecta la rapidez con que los alimentos se descongelan. Los envases poco profundos se descongelarán más rápidamente que los envases profundos.
- A medida que el alimento comience a descongelarse, separe los pedazos para que puedan ser descongelados fácil y rápidamente.
- Utilice pequeños trozos de papel de aluminio para proteger partes de los alimentos tales como alas de pollo, puntas de patas, colas de pescado o áreas que comiencen a calentarse. Asegúrese de que el papel de aluminio no toque los lados, la parte superior o la parte inferior del horno. La lámina puede dañar el revestimiento del horno.
- Para obtener mejores resultados, deje reposar los alimentos después de descongelarlos.
- Voltee los alimentos durante el tiempo de descongelación o reposo.
- Separe y retire los alimentos según sea necesario.

CARACTERÍSTICAS ÚTILES

1. Preferencias del usuario

El horno microondas tiene ajustes que le permiten personalizar el funcionamiento para su comodidad. A continuación se muestra la tabla que muestra los distintos ajustes. Pulse el botón User pref varias veces para desplazarse a la función de ajuste que desee.

Pulse La Tecla	Opción
User pref X 1	Reloj
User pref X 2	Bloqueo de control
User pref X 3	Volumen (Bajo / Medio / Alto / Desactivado)
User pref X 4	Peso (lb/kg)
User pref X 5	Visualización del reloj
User pref X 6	Demo

(1). Configuración del reloj

El reloj se puede deshabilitar cuando se conecta primero el horno microondas y se selecciona el botón "Stop/Clear".

Siga las instrucciones para volver a habilitar el reloj.

- Suponga que desee establecer el reloj a las 10:59.

Pulse:	Pantalla muestra:
1. "User Pref"	<small>PRESS AGAIN FOR OPTIONS!</small> 12:00 ENTER TIME
2. ① ① ⑤ ⑨	<small>PRESS START</small> 10:59
3. "Start/Enter/+30 Sec"	10:59

NOTAS

1. Si introduce una hora incorrecta (por ejemplo, 2:89), el 8 es un dígito no válido y no se puede introducir. Introduzca la hora correcta.
2. Si pulsa "Stop/Clear" mientras configura el reloj, la pantalla mostrará la última hora del día establecida o una pantalla en blanco si no se establece ninguna hora del día.

(2). Configuración de activación/desactivación del bloqueo de control

Para activar el bloqueo de control.

Pulse:	Pantalla muestra:
1. "User Pref"	<small>PRESS AGAIN FOR OPTIONS/</small> 12:00 ENTER TIME
2. "User Pref"	<small>PRESS AGAIN FOR OPTIONS/ PRESS START</small> CONTROL LOCK
3. "Start/Enter/+30 Sec"	LOCKED
Para apagar el bloqueo de control, pulse User pref y luego presione "Start/Enter/+30 Sec"	
4. "Start/Enter/+30 Sec"	UNLOCKED

(3). Reproducción de sonido bajo/medio/alto/silencio

Las señales audibles están disponibles para guiarlo cuando configure y utilice el horno.

- Un **tono de programación** sonará cada vez que presione un botón.
- **Tres tonos** señalan el final de la cuenta regresiva del temporizador de cocina.
- **Tres tonos** señalan el final de un ciclo de cocción.
- Suponga que desea desactivar la señal audible.

Pulse:	Pantalla muestra:
1. "User Pref"	<small>PRESS AGAIN FOR OPTIONS/</small> 12:00 ENTER TIME
2. "User Pref"	<small>PRESS AGAIN FOR OPTIONS/ PRESS START</small> CONTROL LOCK
3. "User Pref"	<small>PRESS AGAIN FOR OPTIONS/ PRESS START</small> VOLUME LOW
	<small>PRESS AGAIN FOR OPTIONS/ PRESS START</small> VOLUME MED
	<small>PRESS AGAIN FOR OPTIONS/ PRESS START</small> VOLUME HIGH
4. "Start/Enter/+30 Sec"	<small>PRESS AGAIN FOR OPTIONS/ PRESS START</small> VOLUME OFF
	OFF

NOTAS

Cuando se complete el ciclo de cocción, se mostrará FIN y la señal audible sonará si el sonido está activado.

(4). Configuración del peso Lb/Kg

- Suponga que desea cambiar el peso entre libras y kilogramos.

Pulse:	Pantalla muestra:
1. "User Pref"	<small>PRESS AGAIN FOR OPTIONS/</small> 12:00 ENTER TIME
2. "User Pref"	<small>PRESS AGAIN FOR OPTIONS/ PRESS START</small> CONTROL LOCK
3. "User Pref"	<small>PRESS AGAIN FOR OPTIONS/ PRESS START</small> VOLUME LOW <small>PRESS AGAIN FOR OPTIONS/ PRESS START</small>
4. "User Pref"	<small>PRESS AGAIN FOR OPTIONS/ PRESS START</small> Lb / Kg
5. "Start/Enter/+30 Sec"	Lb ^{kg} Kg lb

NOTAS

Si la pantalla muestra kg, presione el botón "Start/Enter/+30 Sec" para restablecer los controles del horno a lbs. Para volver a kg, presione "User Pref" cuatro veces y luego presione "Start/Enter/+30 Sec".

(5). Configuración de visualización del reloj

- Suponga que desea establecer el idioma.

Pulse:

Pantalla muestra:

1. "User Pref"

PRESS AGAIN FOR OPTIONS/
12:00 ENTER TIME

2. "User Pref"

PRESS AGAIN FOR OPTIONS/ PRESS START
CONTROL LOCK

3. "User Pref"

PRESS AGAIN FOR OPTIONS/ PRESS START
VOLUME LOW

4. "User Pref"

PRESS AGAIN FOR OPTIONS/ PRESS START
LB / KG

5. "User Pref"

PRESS AGAIN FOR OPTIONS/ PRESS START
CONTROL DISPLAY
ON
OFF

6. "Start/Enter/+30 Sec"

PRESS AGAIN FOR OPTIONS/ PRESS START
OFF
ON

NOTAS

Cuando se presiona "Start/Enter/+30 Sec" y el ajuste anterior fue en inglés se establecerá en francés. Si desea cambiar de nuevo al inglés tendrá que volver a presionar "User Pref" cinco veces y luego presione "Start/Enter/+30 Sec".

(6). Configuración de activación/desactivación del modo de demostración

- Suponga que desea entrar en el modo Demo. Cuando el modo de demostración está activado, las funciones de programación funcionarán en un modo de cuenta regresiva rápida sin potencia de cocción.

Pulse:	Pantalla muestra:
1. "User Pref"	<small>PRESS AGAIN FOR OPTIONS/</small> 12:00 ENTER TIME
2. "User Pref"	<small>PRESS AGAIN FOR OPTIONS/ PRESS START</small> CONTROL LOCK
3. "User Pref"	<small>PRESS AGAIN FOR OPTIONS/ PRESS START</small> VOLUME LOW
4. "User Pref"	<small>PRESS AGAIN FOR OPTIONS/ PRESS START</small> LB / KG
5. "User Pref"	<small>PRESS AGAIN FOR OPTIONS/ PRESS START</small> CONTROL DISPLAY ON
6. "User Pref"	<small>PRESS AGAIN FOR OPTIONS/ PRESS START</small> DEMO OFF
7. "Start/Enter/+30 Sec"	ON OFF

NOTAS

Cuando se pulsa "Start/Enter/+30 Sec" y la configuración anterior estaba en APAGADO, entonces se ajustará a ENCENDIDO. Si desea volver a APAGAR el modo demo, tendrá que volver a pulsar "User pref" seis veces y después "Start/Enter/+30 Sec".

2. Configuración del temporizador de cocina

Su horno microondas se puede utilizar como un temporizador de cocina. Puede configurar hasta 99 minutos, 99 segundos.

El temporizador de cocina se puede utilizar mientras el horno microondas está funcionando.



- Suponga que desea establecer el temporizador durante tres minutos.

Pulse:	Pantalla muestra:
1. "Timer"	TIMER ENTER TIME
2. (3) (0) (0)	TIMER 3:00 PRESS START
3. "Timer"	TIMER 3:00 El temporizador inicia la cuenta regresiva

3. Uso del ventilador

El botón controla el ventilador de 2 velocidades. Si el ventilador está apagado, la primera pulsación del botón pondrá el ventilador en Alto, la segunda en BAJO y la tercera en APAGADO.

- Supongamos que desea configurar la velocidad del ventilador a BAJA desde la posición de APAGADO.

Pulse:	Pantalla muestra:
1.  Alto Bajo Apagado	HIGH
2.  Alto Bajo Apagado	LOW

NOTAS

Si la temperatura de la placa de cocción debajo del horno se calienta demasiado, el ventilador se encenderá automáticamente para proteger el horno.

Puede permanecer encendido hasta una hora para enfriar el horno. Cuando esto ocurre, el botón Vent no apagará el ventilador.

4. Uso de la luz de la placa de cocción

El botón controla la luz de la placa de cocción. Si la luz está APAGADA, el primer toque del botón luminoso ENCENDERÁ la luz (alta), el segundo toque reducirá la potencia de la luz a Baja y el tercer toque la APAGARÁ.

- Supongamos que desea configurar la luz para ALTA desde la posición de APAGADO.

Pulse:	Pantalla muestra:
--------	-------------------

- | |
|---|
| 1.  HIGH |
|---|
- Alto | Bajo | Apagado

5. Configuración de encendido/apagado del plato giratorio

Presione encendido/apagado del plato giratorio para encender o apagar el plato giratorio.

Para obtener mejores resultados de cocción, deje el plato giratorio encendido. Se puede apagar para platos grandes.

Pulse:	Pantalla muestra:
--------	-------------------

- | | |
|-----------------------|-----|
| 1. "Turntable On-Off" | OFF |
| 2. "Turntable On-Off" | ON |

NOTAS

A veces, el plato giratorio puede calentarse al tacto durante y después de la cocción. No utilice el horno vacío sin comida dentro.

MANTENIMIENTO

Solución de problemas

Si su horno microondas no funciona correctamente, consulte las siguientes recomendaciones para la solución de problemas.

Si esto no soluciona el problema, póngase en contacto con el servicio técnico autorizado de su localidad.

PROBLEMA	POSIBLE CAUSA	POSIBLE SOLUCIÓN
El horno no enciende	<ul style="list-style-type: none"> a. El cable eléctrico del horno no está enchufado. b. La puerta está abierta. c. Se estableció una operación incorrecta. 	<ul style="list-style-type: none"> a. Conecte el horno al tomacorriente. b. Cierre la puerta e inténtelo de nuevo. c. Verifique las instrucciones.
Arcos eléctricos y chispas	<ul style="list-style-type: none"> a. Se utilizaron materiales no aptos para horno microondas. b. El horno funciona cuando está vacío. c. Quedan restos de comida en el interior del horno. 	<ul style="list-style-type: none"> a. Utilice únicamente utensilios de cocina aptos para microondas. b. No utilice el horno microondas vacío. c. Limpie el interior del horno con una toalla húmeda.
Alimentos cocidos de forma desigual	<ul style="list-style-type: none"> a. Se utilizaron materiales no aptos para horno microondas. b. La comida no se descongela completamente. c. El tiempo de cocción y el nivel de potencia no son adecuados. d. La comida no se da vuelta ni se revuelve. 	<ul style="list-style-type: none"> a. Utilice únicamente utensilios de cocina aptos para microondas. b. Descongele completamente los alimentos. c. Utilice el tiempo de cocción y el nivel de potencia adecuados. d. Voltee o revuelva los alimentos.
Alimentos sobrecocidos	El tiempo de cocción y el nivel de potencia no son adecuados.	Utilice el tiempo de cocción y el nivel de potencia adecuados.
Alimentos mal cocidos	<ul style="list-style-type: none"> a. Se utilizaron materiales no aptos para horno microondas. b. La comida no se descongela completamente. c. Los puertos de ventilación del horno están obstruidos. d. El tiempo de cocción y el nivel de potencia no son adecuados. 	<ul style="list-style-type: none"> a. Utilice únicamente utensilios de cocina aptos para microondas. b. Descongele completamente los alimentos. c. Verifique que los puertos de ventilación del horno no estén obstruidos. d. Utilice el tiempo de cocción y el nivel de potencia adecuados.
Descongelación incorrecta	<ul style="list-style-type: none"> a. Se utilizaron materiales no aptos para horno microondas. b. El tiempo de cocción y el nivel de potencia no son adecuados. c. La comida no se da vuelta ni se revuelve. 	<ul style="list-style-type: none"> a. Utilice únicamente utensilios de cocina aptos para microondas. b. Utilice el tiempo de cocción y el nivel de potencia adecuados. c. Voltee o revuelva los alimentos.



ADJUNTE SU RECIBO AQUÍ. SE REQUIERE UN COMPROBANTE DE COMPRA PARA OBTENER EL SERVICIO DE GARANTÍA.

Por favor, tenga disponible la siguiente información

- Nombre, dirección y número de teléfono
- Número de modelo y número de serie
- Una descripción clara y detallada del problema
- Comprobante de compra, incluido el nombre y la dirección del distribuidor o vendedor

SI REQUIERE SERVICIO:

1. Antes de contactarnos para solicitar el servicio, determine si su producto requiere reparación. Algunas preguntas pueden ser atendidas sin necesidad de solicitar el servicio. Tómese unos minutos para revisar la sección Solución de problemas del Manual del usuario o visite <https://www.midea.com/us/support>

2. Todo el servicio de garantía es proporcionado exclusivamente por nuestros proveedores de servicios autorizados de Midea, en los Estados Unidos y Canadá.

Servicio de atención al cliente de Midea

En los EE.UU. o Canadá, llame al 1-866-646-4332.

Si está fuera de los 50 estados de los Estados Unidos o Canadá, póngase en contacto con su distribuidor autorizado de Midea para determinar si se aplica otra garantía.

1 AÑO EN PIEZAS Y MANO DE OBRA

QUE CUBRE ESTÁ GARANTÍA

GARANTÍA LIMITADA DE UN AÑO (PIEZAS Y MANO DE OBRA)

Midea reparará o reemplazará, sin cargo, cualquier defecto debido a materiales o mano de obra defectuosos durante un año completo a partir de la fecha de compra. Para obtener más detalles sobre la cobertura de la garantía y la información de reparación de la garantía, visite www.midea.com o llame al **1-866-646-4332**.

Usted será responsable de:

- El diagnóstico, la eliminación, el transporte y el costo de reinstalación necesarios debido al servicio.
- Los costos de las llamadas de servicio resultantes de los artículos listados en

RESPONSABILIDADES NORMALES DEL CONSUMIDOR**

RESPONSABILIDADES NORMALES DEL CONSUMIDOR**

Esta garantía se aplica únicamente a los productos de uso doméstico normal, y el consumidor será responsable de los artículos que se enumeran a continuación:

1. Uso adecuado del aparato de acuerdo con las instrucciones proporcionadas con el producto.
2. Mantenimiento y limpieza de rutina necesarios para mantener el buen estado de funcionamiento.
3. Instalación adecuada por un profesional de servicio autorizado de acuerdo con las instrucciones proporcionadas con el aparato y de acuerdo con todas las normas locales de plomería, electricidad y gas.
4. Conexión adecuada a una fuente de alimentación con conexión a tierra de suficiente voltaje, sustitución de fusibles quemados, reparación de conexiones sueltas o defectos en el cableado de la casa.
5. Gastos por hacer accesible el aparato para su reparación.
6. Daños a los acabados una vez finalizada la instalación.

SU ÚNICO Y EXCLUSIVO DERECHO BAJO ESTA GARANTÍA LIMITADA SERÁ LA REPARACIÓN O REEMPLAZO DEL PRODUCTO COMO SE INDICA EN EL PRESENTE DOCUMENTO. El servicio debe ser proporcionado por una compañía de servicio designada por Midea. Esta garantía limitada es válida solo en los 50 estados de los Estados Unidos o Canadá y se aplica solo cuando el aparato se utiliza en el país en el que se compró. Esta garantía limitada es efectiva desde la fecha de compra original del consumidor. Se requiere prueba de la fecha de compra original para obtener servicio bajo esta garantía limitada.

QUE NO CUBRE ESTÁ GARANTÍA

1. Falla causada por daño a la unidad mientras esté en su posesión (que no sea daño causado por defecto o mal funcionamiento), por su instalación incorrecta, o por uso no razonable del producto, incluyendo sin limitación, no proporcionar mantenimiento razonable y necesario o no seguir las indicaciones del Manual de instrucciones e instalación.
2. Productos adquiridos "tal cual" o reacondicionados que no están cubiertos por esta garantía.
3. Llamadas de servicio para reparar o reemplazar consumibles como bombillas, filtros de aire, etc., o perillas, manijas u otras piezas decorativas.
4. Productos que hayan sido transferidos del propietario original a un tercero.
5. Óxido en el interior o exterior de la unidad.
6. Daños causados por servicios realizados por personas ajenas a los servicios autorizados de Midea; uso de piezas que no sean piezas genuinas de Midea o piezas obtenidas de personas que no pertenezcan al servicio autorizado de atención al cliente de Midea, o causas externas como abuso, mal uso, suministro eléctrico inadecuado o desastres naturales.
7. Llamadas de servicio resultantes de una instalación incorrecta del producto.
8. Llamadas de servicio para instrucciones sobre el uso del producto.
9. Costos adicionales que incluyen, sin limitarse, cualquier llamada de servicio fuera de las horas de oficina, durante los fines de semana o días feriados, peajes, cargos por viaje en ferry o gastos de kilometraje por llamadas de servicio en áreas remotas, incluido el estado de Alaska.
10. Si la unidad se utiliza para fines comerciales, empresariales, de alquiler u otro uso o aplicación que no sea para el consumidor, no ofrecemos ninguna garantía, expresa o implícita, incluida, entre otras, cualquier garantía implícita de comerciabilidad o idoneidad para un uso o propósito particular.
11. Productos que hayan sido retirados fuera de los EE.UU. o Canadá.
Productos sin números de serie originales o productos con números de serie alterados o que no pueden determinarse con facilidad.

NOTA: Algunos estados no permiten la exclusión o limitación de daños incidentales o consecuentes. Por lo tanto, es posible que esta limitación o exclusión no se aplique en su caso.

El costo de reparación o sustitución en estas circunstancias excluidas estará a cargo del cliente.

RENUNCIA DE RESPONSABILIDAD DE GARANTÍAS IMPLÍCITAS

LAS GARANTÍAS IMPLÍCITAS, INCLUIDA CUALQUIER GARANTÍA IMPLÍCITA DE COMERCIABILIDAD O GARANTÍA IMPLÍCITA DE IDONEIDAD PARA UN PROPÓSITO PARTICULAR, SE LIMITAN A UN AÑO O AL PERÍODO MÁS CORTO PERMITIDO POR LA LEY. Algunos estados y jurisdicciones no permiten limitaciones en la duración de las garantías implícitas de comerciabilidad o idoneidad, por lo que es posible que estas limitaciones no sean aplicables en su caso. Esta garantía le otorga derechos legales específicos, y también puede tener otros derechos que varían de un estado a otro, o de una jurisdicción a otra.

RENUNCIA DE RESPONSABILIDAD DE DECLARACIONES FUERA DE LA GARANTÍA

Midea no será responsable de la calidad, durabilidad o necesidad de servicio o reparación de este aparato, aparte de las responsabilidades contenidas en esta garantía. Si desea una garantía mayor o más completa que la garantía limitada que viene con este aparato, solicite a Midea o a su proveedor información sobre la compra de una garantía extendida.

LIMITACIÓN DE RECURSOS; EXCLUSIÓN DE DAÑOS INCIDENTALES Y CONSECUENTES

SU ÚNICO Y EXCLUSIVO DERECHO BAJO ESTA GARANTÍA LIMITADA SERÁ LA REPARACIÓN DEL PRODUCTO COMO SE INDICA EN EL PRESENTE DOCUMENTO. MIDEA NO SERÁ RESPONSABLE DE LOS DAÑOS INCIDENTALES O CONSECUENTES. Algunos estados y jurisdicciones no permiten la exclusión o limitación de daños incidentales o consecuentes, por lo que es posible que estas limitaciones y exclusiones no se apliquen en su caso. Esta garantía le otorga derechos legales específicos, y también puede tener otros derechos que varían de un estado a otro, o de una jurisdicción a otra.



GUIDE D'UTILISATION

FOUR A MICROONDE Modèle : MMO19S3AST

Alimentation : 120V~
Fréquence : 60Hz

Attention :
Avant d'utiliser ce produit, veuillez lire attentivement ce manuel et le garder pour s'y référer dans le futur. La conception et les spécifications sont indiquées sous réserve de modifications pour l'amélioration du produit. Consultez votre revendeur ou le fabricant pour les détails.

Extension gratuite de 3 mois * de la période de garantie limitée initiale !
Envoyez simplement une photo de votre preuve d'achat à :

1-844-224-1614

* L'extension de garantie est pour les trois mois suivant immédiatement après la fin de la période de garantie du produit.

Cher utilisateur

Nous vous REMERCIIONS et FÉLICITONS pour votre achat de ce produit Midea de haute qualité. Votre four micro-ondes Midea représente l'état de l'art et est conçu pour des performances fiables et sans problème. Prenez un moment pour enregistrer votre nouveau four à micro-ondes.

Enregistrez votre nouveau four à micro-ondes sur www.midea.com sous l'onglet Support.

Pour toute référence future, notez les numéros de modèle et de série de votre produit sur le cadre intérieur du four à micro-ondes.

Numéro de modèle _____

Numéro de série _____

Table des matières

Précautions pour éviter l'exposition possible à une énergie micro-ondes excessive.....	91
Caractéristiques.....	91
Consignes de sécurité importantes.....	92
Instructions de mise à la terre.....	94
Interférence radio.....	95
Ustensiles.....	95
Noms des pièces.....	97
Panneau de commande.....	98
Cuisson manuelle.....	99
Cuisson par capteur.....	104
Cuisson à une touche.....	108
Cuisine automatique.....	112
Décongélation automatique.....	117
Fonctionnalités pratiques.....	122
Maintenance.....	130

PRECAUTIONS POUR EVITER L'EXPOSITION POSSIBLE A L'ENERGIE MICROONDE EXCESSIVE

- (a) N'essayez pas de faire fonctionner ce four avec la porte ouverte car cela peut entraîner une exposition nocive à l'énergie des micro-ondes. Il est important de ne pas annuler ou altérer les dispositifs de verrouillage de sécurité.
- (b) Ne placez aucun objet entre la face avant du four et la porte et ne laissez pas de résidus d'aliments s'accumuler entre le four et la porte.
- (c) N'utilisez pas le four s'il est endommagé. Il est particulièrement important que la porte du four se ferme correctement et qu'il n'y ait aucun dommage aux :
 - (1) PORTE (courbée)
 - (2) CHARNIÈRES ET LOQUETS (cassés ou desserrés)
 - (3) JOINTS DE PORTE ET SURFACE D'ÉTANCHÉITÉ
- (d) Le four ne doit pas être réglé ou réparé par quelqu'un qui n'est pas un personnel de dépannage qualifié.

Caractéristiques

Modèle :	MMO19S3AST
Tension nominale :	120V-60Hz
Puissance nominale d'entrée (microonde) :	1550 W
Puissance nominale de sortie (microonde) :	1000 W

CONSIGNES DE SÉCURITÉ IMPORTANTES

ATTENTION

Lors de l'utilisation d'appareils électriques, des précautions de sécurité de base doivent être respectées, notamment les suivantes :

ATTENTION - Pour réduire les risques de brûlures, d'électrocution, d'incendie, de blessures ou d'exposition à une énergie micro-ondes excessive :

1. Lisez toutes les instructions avant d'utiliser l'appareil.
2. Lisez et suivez les spécificités : « PRÉCAUTIONS POUR ÉVITER L'EXPOSITION POSSIBLE À UNE ÉNERGIE MICRO-ONDES EXCESSIVE » à la page 91.
3. Cet appareil doit être mis à la terre. Branchez uniquement à une prise correctement mise à la terre. Voir « INSTRUCTIONS DE MISE À LA TERRE » à la page 94.
4. Installez ou placez ce four uniquement conformément aux instructions d'installation fournies.
5. Certains produits tels que les œufs entiers et les récipients scellés - par exemple bocaux en verre fermés - peuvent exploser et ne doivent pas être chauffés dans un four à micro-ondes.
6. N'utilisez cet appareil que pour les utilisations prévues décrites dans ce manuel. N'utilisez pas de produits chimiques ou de vapeurs corrosifs dans cet appareil. Ce four à micro-ondes est spécialement conçu pour chauffer, cuire ou sécher des aliments. Il n'est pas conçu pour une utilisation industrielle ou en laboratoire.
7. Comme pour tout appareil, une surveillance étroite est nécessaire lorsqu'il est utilisé par des enfants.
8. N'utilisez pas ce four si le cordon ou la fiche est endommagé, s'il ne fonctionne pas correctement, s'il est endommagé ou s'il est tombé.
9. Cet appareil ne doit être entretenu que par du personnel qualifié. Contactez le centre de service agréé le plus proche pour examen, réparation ou réglage.
10. Ne couvrez ni bloquez les ouvertures de l'appareil.
11. Ne rangez pas cet appareil à l'extérieur. N'utilisez pas ce four près de l'eau, par exemple près d'un évier de cuisine, dans un sous-sol humide, près d'une piscine ou dans des endroits similaires.
12. N'immergez pas le cordon ou la fiche dans l'eau.
13. Gardez le cordon éloigné des surfaces chaudes.
14. Ne laissez pas le cordon pendre du bord d'une table de travail ou d'un comptoir.
15. Lors du nettoyage des surfaces de la porte et du four, utilisez uniquement des savons ou détergents doux non abrasifs appliqués avec une éponge ou un chiffon doux.
16. Pour réduire le risque d'incendie dans la cavité du four :
 - 1). Ne faites pas trop cuire les aliments. Surveillez attentivement l'appareil si vous avez placé un objet en papier, plastique ou autre matériau combustible dans la cavité pour faciliter la cuisson.

- 2). Retirez les attaches métalliques des sacs en papier ou en plastique avant de les placer dans le four à micro-ondes.
 - 3). Si des matériaux à l'intérieur du four à micro-ondes s'enflamment, gardez la porte fermée, éteignez le four et débranchez le cordon d'alimentation ou coupez l'alimentation au niveau du fusible ou du panneau de disjoncteur.
 - 4). N'utilisez pas la cavité à des fins de rangement. Ne laissez pas de produits en papier, d'ustensiles de cuisine ou de nourriture dans la cavité lorsqu'elle n'est pas utilisée.
17. Les liquides, tels que l'eau, du café ou du thé, peuvent surchauffer au-delà du point d'ébullition sans avoir l'air de bouillir. Un bouillonnement ou une ébullition visible lorsque le récipient est retiré du four à micro-ondes n'apparaît pas toujours.
CELA POURRAIT EN RÉSULTER DES LIQUIDES TRÈS CHAUDS QUI DEVIENNENT SOUDAINEMENT EN ÉBULLITION LORSQUE LE RÉCIPIENT EST PERTURBÉ OU UN USTENSILE EST INSÉRÉ DANS LE LIQUIDE.
 Pour réduire le risque de blessures aux personnes :
- 1) Ne surchauffez pas le liquide.
 - 2) Remuez le liquide avant et à mi-cuisson.
 - 3) N'utilisez pas de récipients à parois droites à col étroit.
 - 4) Après chauffage, laissez le récipient reposer dans le four à micro-ondes pendant un court instant avant de retirer le récipient
 - 5) Soyez extrêmement prudent lorsque vous insérez une cuillère ou un autre ustensile dans le récipient.
18. N'utilisez aucun appareil de chauffage ou de cuisson sous l'appareil. (Exception : Un four à micro-ondes ainsi qualifié comme base au-dessus d'un autre appareil de chauffage.)
19. Ne montez pas l'appareil sur ou à proximité d'une partie de l'appareil de chauffage ou de cuisson. (Exception : Un four à micro-ondes ainsi qualifié comme base au-dessus d'un autre appareil de chauffage.)
20. Ne le montez pas au-dessus d'un évier.
21. Ne mettez aucun objet directement sur la surface de l'appareil lorsqu'il est en marche.
22. Nettoyez fréquemment les hottes de ventilation - Ne laissez pas la graisse s'accumuler sur la hotte ou le filtre.
23. Lorsque vous faites cuire des aliments sur la cuisinière sous le four, allumez le ventilateur.
24. Faites attention lors du nettoyage du filtre de la hotte. Les agents de nettoyage corrosifs, tels que la soude, peuvent endommager le filtre.
25. Il peut être utilisé avec des ustensiles de cuisson au gaz et électriques.

CONSERVER LE PRÉSENTE MANUEL

INSTRUCTIONS POUR LA MISE A LA TERRE

Cet appareil doit être mis à la terre. En cas de court-circuit, la mise à la terre réduit le risque d'électrocution en fournissant un fil d'échappement pour le courant électrique. Cet appareil est équipé avec un fil électrique ayant un conducteur et une prise de terre. La fiche doit être branchée dans une prise correctement installée et mise à la terre.



ATTENTION

ATTENTION - Une mauvaise utilisation de la mise à la terre peut entraîner un risque de choc électrique.

Consulter un électricien qualifié ou un réparateur si les instructions de mise à la terre ne sont pas parfaitement comprises ou si un doute existe sur la bonne mise à la terre de l'appareil. S'il est nécessaire d'utiliser une rallonge, utilisez uniquement une rallonge à 3 fils dotée d'une fiche de mise à la terre à 3 broches et des prises à 3 positions qui acceptent la fiche de l'appareil. La puissance nominale de la rallonge doit être égale ou supérieure à la puissance électrique de l'appareil.

DANGER - Danger d'électrocution

Toucher des composants internes peut causer de graves blessures corporelles ou le décès.

Ne pas démonter cet appareil.

ATTENTION - Danger d'électrocution

La mauvaise utilisation de la terre peut entraîner une électrocution. Ne pas brancher à une prise de courant tant que l'appareil n'est pas installé correctement et mis à la terre.

1. Le fil d'alimentation est court pour réduire le risque de le coincer ou de trébucher dessus s'il est plus long.
2. Des jeux de cordons plus longs ou des rallonges sont disponibles et peuvent être utilisés si un soin particulier est apporté à leur utilisation.
3. Si un long cordon ou une rallonge est utilisée :
 - 1) La capacité électrique du fil ou de la rallonge doit être au moins aussi grande que la capacité de l'appareil.
 - 2) La rallonge doit être à 3 fils avec une mise à la terre.
 - 3) Le cordon doit être disposé de manière à ne pas pendre du plan de travail de la cuisine ou d'une table où il pourrait être tiré par des enfants ou faire trébucher quelqu'un par accident.

INTERFÉRENCE RADIO

1. Le fonctionnement du four à micro-ondes peut provoquer des interférences avec votre radio, télévision ou équipement similaire.
2. Lorsqu'il y a des interférences, elles peuvent être réduites ou éliminées en prenant les mesures suivantes :
 - 1) Nettoyez la porte et les surfaces d'étanchéité du four
 - 2) Réorientez l'antenne de réception de la radio ou du téléviseur.
 - 3) Déplacez le four à micro-ondes par rapport au récepteur.
 - 4) Éloignez le four à micro-ondes du récepteur.
 - 5) Branchez le four à micro-ondes dans une autre prise de sorte qu'il se trouve sur un circuit différent des autres appareils.

USTENSILES

MISES EN GARDE - Danger de blessure corporelle

Les ustensiles hermétiquement fermés peuvent exploser. Les récipients fermés doivent être ouverts et les sachets en plastique doivent être percés avant la cuisson.

Voir les instructions dans « Matériaux pouvant être utilisés ou non dans un four à microonde ».

Certains ustensiles non métalliques ne sont pas sûrs pour être utilisés pour le microonde. En cas de doute, vous pouvez tester l'ustensile en question en procédant de la façon suivante.

Test d'ustensile :

1. Remplir un conteneur à microonde avec 250 ml d'eau froide et y déposer l'ustensile.
2. Chauffer à puissance max. pendant 1 minute.
3. Toucher doucement l'ustensile. Si l'ustensile vide est chaud, ne pas l'utiliser pour la cuisson au microonde.
4. Ne pas dépasser 1 minute.

Matériaux que vous pouvez utiliser dans un four à micro-ondes

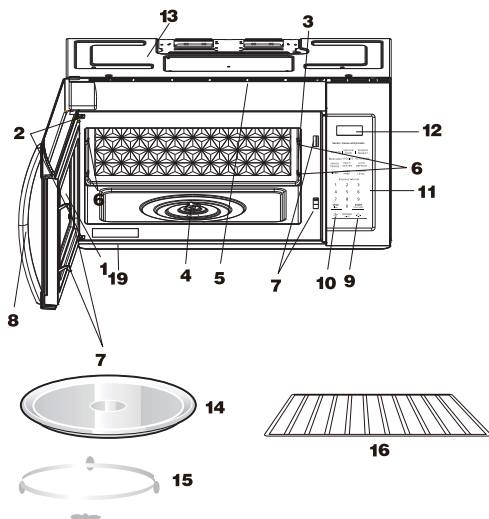
Ustensiles	Remarques
Plat à rôtir	Suivez les instructions du fabricant *. Le fond du plat doit être à au moins 5 mm du plateau. Un mauvais usage peut briser le plateau.
Vaisselle	Uniquement prévue pour le microonde. Suivre les instructions du fabricant. Ne pas utiliser des plats fendus ou ébréchés.
Pots en verre	Toujours retirer le couvercle. Utiliser uniquement jusqu'à ce que les aliments soient chauds. La plupart des pots en verre ne résistent pas à la chaleur et peuvent casser.
Verrerie	Uniquement le verre résistant à la chaleur. S'assurer qu'il n'y a pas de garniture métallique. Ne pas utiliser des plats fendus ou ébréchés.
Sacs de cuisson au four	Suivez les instructions du fabricant *. Ne pas fermer avec un couvercle métallique. Fendre pour permettre à la vapeur de s'échapper.
Assiettes et tasses en papier	N'utiliser que pour la cuisson ou réchauffage court. Ne pas laisser la cuisson sans surveillance.
Serviettes en papier	Utiliser pour couvrir les aliments à réchauffer et absorber le gras. N'utiliser que pour la cuisson courte.
Papier parchemin	Utiliser comme couvercle pour éviter les éclaboussures ou envelopper pour cuire à la vapeur.
Plastique	Uniquement prévue pour le microonde. Suivez les instructions du fabricant *. Doit être estampillé « Sûr pour le microonde ». Certains conteneurs en plastique s'amollissent quand les aliments deviennent chauds. Les sacs à bouillir et les sacs en plastiques fermés doivent être fendus, percés ou ventilés comme indiqué sur l'emballage.
Enveloppe en plastique	Uniquement prévue pour le microonde. Utiliser pour couvrir les aliments pendant la cuisson pour retenir l'humidité. Ne pas laisser l'enveloppe en plastique toucher les aliments.
Thermomètres	Sûr pour le microonde uniquement (thermomètres à viande ou gâteau).
Papier ciré	Utiliser comme couvercle pour éviter les éclaboussures ou retenir l'humidité.

Matériaux à éviter dans le four à microonde

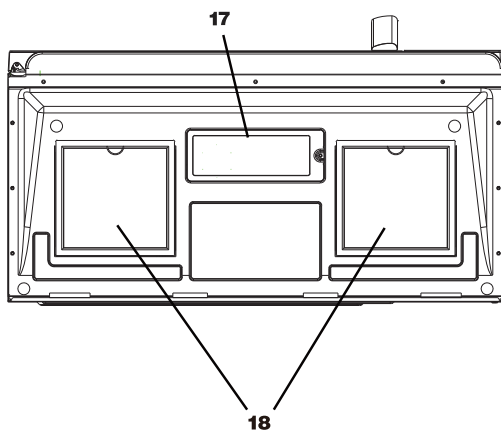
Ustensiles	Remarques
Plateau en aluminium	Peut provoquer un arc. Mettre les aliments dans un conteneur prévu pour microonde.
Carton alimentaire avec poignée métallique	Peut provoquer un arc. Mettre les aliments dans un conteneur prévu pour microonde.
Ustensiles métalliques ou recouverts de métal	Le métal bloque les microondes sur les aliments. Les garnitures métalliques provoquent les arcs.
Lien métalliques	Peuvent provoquer un arc et entraîner un incendie dans le four.
Sacs en papier	Peuvent prendre feu dans le four.
Mousse en plastique	La mousse en plastique peut fondre ou contaminer le liquide contenu en l'exposant à de hautes températures.
Bois	Le bois sèche quand il est utilisé dans le microonde et peut se fendre ou craquer.

NOMS DES PIÈCES

VUE DE FACE



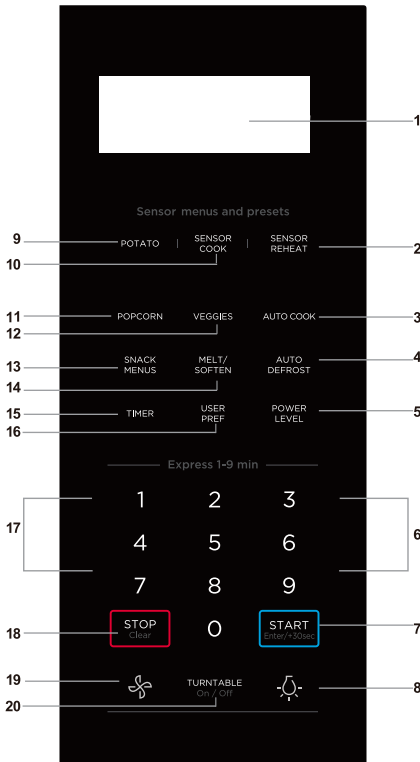
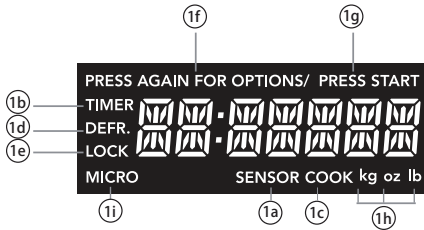
VUE DE DESSOUS



1. Porte du four à micro-ondes avec fenêtre transparente
2. Charnières de porte
3. Couvreclu du guide d'ondes : NE PAS ENLEVER.
4. Arbre moteur du plateau tournant
5. Lumière du four à micro-ondes
Il s'allume lorsque le four à micro-ondes fonctionne ou que la porte est ouverte.
6. Supports de grille
7. Verrous de sécurité de porte
Le four à micro-ondes ne fonctionne que si la porte est bien fermée.
8. Poignée
9. Touche Lumière **EI/Fb/Eteinte**
Appuyez sur la touche **Lumière EI/Fb/Eteinte** une fois pour élevée, deux fois pour faible et trois fois pour éteindre la lumière.
10. Touche Ventilateur **EI/Fb/Eteint**
Appuyez sur la touche **Ventilateur EI/Fb/Eteint** une fois pour vitesse élevée, deux fois pour vitesse faible et trois fois pour arrêter le ventilateur.
11. Panneau de commande tactile
12. Affichage de l'heure : Affichage numérique, 99 minutes, 99 secondes
13. Ouvertures de ventilation
14. Plateau tournant amovible
Le plateau tournant tourne à la fois dans le sens horaire et antihoraire. Retirer uniquement pour le nettoyage.
15. Support du plateau tournant amovible
Placez soigneusement le support du plateau tournant dans l'arbre du moteur situé au centre de la cavité du four à micro-ondes. Ensuite, placez fermement le plateau tournant sur son support.
16. Grille pour cuisson/réchauffage à 2 niveaux
17. Couvreclu de lumière
18. Filtre à graisse
19. Libellé du menu

PANNEAU DE CONTROLE

L'écran interactif à 7 chiffres décrit les étapes de fonctionnement et affiche des conseils de cuisson.



(1) Écran :

L'affichage comprend une horloge et des indicateurs qui indiquent l'heure, les réglages du temps de cuisson, les puissances de cuisson, le capteur, les quantités, les poids et les fonctions de cuisson sélectionnées.

1a. CAPTEUR :

Icône affiché lors de l'utilisation de la cuisson par capteur.

1b. MINUTEUR :

Icône affiché lorsque le minuteur est réglé ou en cours de fonctionnement.

1c. CUISSON :

Icône affiché lors du démarrage de la cuisson au four à micro-ondes.

1d. DEFR. :

Icône affiché lors de la décongélation des aliments.

1e. VERROUILLAGE :

Icône affiché lors du verrouillage des commandes.

1f. APPUYEZ À NOUVEAU POUR LES OPTIONS :

Icône affiché lorsque des options supplémentaires sont disponibles.

1g. APPUYEZ SUR START :

Icône affiché lorsqu'une fonction valide peut être démarrée.

1h. kg, oz, lb :

Icône affiché lors du choix du poids.

1i. MICRO :

Icône affiché lors de l'utilisation du four à micro-ondes.

(2) **Réchauffage par capteur** (5 réglages différents) (P107)

(3) **Cuisine automatique** (P112)

(4) **Décongélation automatique** (P117)

(5) **Niveau de puissance** (11 niveaux de puissance disponibles) (P103)

(6) **Pavé numérique** (0 à 9)

(7) **START +30 sec** (P100)

(8) **Lumières de surface** (Élevé/Faible/Désactivé) - Utilisez ces touches pour régler la luminosité des éclairages de surface. (P129)

(9) **Pommes de terre** (1-4 patates) (P110)

(10) **Cuisson par capteur** (P104)

(11) **Pop-corn** (P108)

(12) **Légumes** (P108)

(13) **Snacks** (P109)

(14) **Faire fondre/ramollir** (P111)

(15) **Minuteur** (Démarrer - Arrêter) (P128)

(16) **Heure & Réglages** (P99) (P122)

(17) **Démarrage rapide** (9 réglages de touche instantanés) (P100)

(18) **Arrêt / Effacer** (P99)

(19) **Échappement (Élevé/Faible/Arrêter)** - Permet d'arrêter le ventilateur d'extraction ou de régler la vitesse du ventilateur. (P129)




(20) **Plaque tournante** (Démarrer - Arrêter) (P129)

Remarque : Pour plus d'informations reportez-vous à la page relative ci-dessus.

- Avant de faire fonctionner votre nouveau four, lisez et comprenez entièrement ce guide d'utilisation et d'entretien.
- L'horloge peut être désactivée lorsque le four à micro-ondes est branché pour la première fois et que la touche « STOP » est appuyée.
Pour réactiver l'horloge, suivez les instructions données par l'horloge.

Réglage de l'horloge

- Supposons que vous souhaitez entrer l'heure correcte de la journée 10:59

Touchez :	L'écran affiche :
1. User pref	
2. ① ② ⑤ ⑨	
3. « Start/Enter/+30 Sec »	

REMARQUE

1. Vous ne pouvez pas entrer une heure incorrecte (ex. 2:89), le 8 est un chiffre non valide et ne peut pas être entré. Entrez l'heure correcte.
2. Si vous touchez « Stop/Clear » pendant le réglage de l'heure, l'écran affiche la dernière heure du jour réglée ou un affichage vide si aucune heure n'a été réglée.

CUISSON MANUELLE

Cuisson chronométrée

Votre four à micro-ondes à grande portée peut être programmé pour 99 minutes 99 secondes (99:99). Entrez toujours les secondes après les minutes, même si elles sont toutes les deux nulles.

- Supposons que vous souhaitez cuire pendant 5 minutes, 30 secondes à 100% de puissance.

Touchez :	L'écran affiche :
1. ⑤ ③ ①	5:30 <small>PRESS START</small>
2. « Start/Enter/+30 Sec »	5:30 <small>COOK</small> Compte à rebours

Interrompre la cuisson

Vous pouvez arrêter le four pendant un cycle en ouvrant la porte. La ventilation s'arrête de chauffer et le ventilateur s'éteint, mais la lumière reste allumée. Pour redémarrer la cuisson, fermez la porte et touchez « Start/Enter/+30 Sec ».

Si vous ne souhaitez pas poursuivre la cuisson, ouvrez la porte et touchez « Stop Clear »

Utilisation de One Touch Start (démarrage instantané)

Il s'agit d'une touche permettant de gagner du temps qui lance automatiquement la cuisson 2 secondes après la sélection de la touche numérique. Appuyez sur 1 pendant 1 minute, 2 pendant deux minutes, jusqu'à 9 pendant neuf minutes.

Touchez :	L'écran affiche :
1. ②	2:00 <small>COOK</small> Compte à rebours

Utilisation de Add 30 Sec.

C'est une touche qui permet de gagner du temps. Il s'agit d'une fonction simplifiée vous permettant de régler et de démarrer rapidement la cuisson au four à micro-ondes à 100% de puissance.

- Supposons que vous vouliez cuisiner pendant une minute.

Touchez :	L'écran affiche :
1. « Start/Enter/+30 Sec »	:30 <small>COOK</small>
2. « Start/Enter/+30 Sec »	1:00 <small>COOK</small> Compte à rebours

REMARQUE

« Food » s'affiche si un cycle de cuisson à démarrage rapide ou la touche +30 sec n'est pas sélectionnée dans les 5 minutes suivant l'introduction des aliments dans le four à micro-ondes. Vous devez ouvrir puis refermer la porte pour effacer « Food » de l'écran.

Réglage de la cuisson minutée avec un niveau de puissance

Cette fonction vous permet de programmer une durée et une puissance de cuisson spécifiques. Pour obtenir les meilleurs résultats, il existe 10 réglages de niveau de puissance en plus de la puissance élevée (100%).

- Supposons que vous souhaitez cuire pendant 5 minutes, 30 secondes à 80% de puissance.

Touchez :	L'écran affiche :
1. ⑤ ③ ①	5:30 <small>PRESS START</small>
2. « Power Level » 3 fois	PL-80 <small>PRESS START</small>
3. « Start/Enter/+30 Sec »	5:30 <small>COOK</small> Compte à rebours

REMARQUE

Si vous ne sélectionnez pas de niveau de puissance, le four effectue la cuisson automatiquement à une puissance élevée (100%).

Cuisson à deux étapes

Pour de meilleurs résultats, certaines recettes nécessitent des niveaux de puissance différents pendant un cycle de cuisson. Vous pouvez programmer votre four pour deux niveaux de puissance pendant le cycle de cuisson.

- Supposons que vous souhaitez régler un cycle de cuisson en 2 étapes. La première étape est un temps de cuisson de 3 minutes à 80% de puissance puis un temps de cuisson de 7 minutes à 50% de puissance.

Touchez :

L'écran affiche :

1. ③ ① ①

Pour régler une puissance de cuisson de 3 minutes pour la première étape.

3:00 PRESS START

2. « Power Level » 3 fois

PL-80 PRESS START

3. ⑦ ① ①

Pour régler une puissance de cuisson de 7 minutes pour la deuxième étape.

7:00 PRESS START

4. « Power Level » 6 fois

PL-50 PRESS START

REMARQUE

Vous pouvez programmer une deuxième étape de puissance « 0 » pour le temps de repos à l'intérieur du four.

5. « Start/Enter/+30 Sec »

3:00 COOK

Compte à rebours

Pour régler le niveau de puissance

Il existe onze niveaux de puissance prédéfinis.

L'utilisation de niveaux de puissance plus faibles augmente le temps de cuisson recommandé pour les aliments tels que fromage, lait et la cuisson lente et longue des viandes.

Consultez un livre de cuisine ou de recettes pour des recommandations spécifiques.

APPUYER SUR LA TOUCHE DE NIVEAU DE PUISSANCE PLUSIEURS FOIS RÉGLER LA PUISSANCE SOUHAITÉE	POURCENTAGE APPROXIMATIF DE PUISSANCE	MOTS COMMUNS POUR LES NIVEAUX DE PUISSANCE
POWER LEVEL x 1	100%	Haut
POWER LEVEL x 2	90%	
POWER LEVEL x 3	80%	
POWER LEVEL x 4	70%	Moyen-élevé
POWER LEVEL x 5	60%	
POWER LEVEL x 6	50%	Moyen
POWER LEVEL x 7	40%	
POWER LEVEL x 8	30%	Moyen faible/Dégivrage
POWER LEVEL x 9	20%	
POWER LEVEL x 10	10%	Bas
POWER LEVEL x 11	0%	

Utilisation la grille

La grille permet à plusieurs aliments d'être cuits ou réchauffés à la fois. Cependant, pour une cuisson et un réchauffage optimaux, utilisez la fonction Turntable ON et faites cuire avec SENSOR COOKING ou AUTO COOKING sans la grille. Lorsque la grille est utilisée, réglez le temps et le niveau de puissance manuellement. Laissez suffisamment d'espace autour et entre les plats. Faites très attention à l'avancement de la cuisson et du réchauffage.

Repositionnez les aliments et les transférer de la grille au plateau tournant et/ou les remuer au moins une fois au cours de la cuisson ou du réchauffage. Après la cuisson ou le réchauffage, remuez si possible. L'utilisation d'un niveau de puissance inférieur contribue à une meilleure uniformité de cuisson et de réchauffage.

Évitez :

- Stockage de la grille dans le four à micro-ondes lorsqu'elle n'est pas utilisée.
- Faire éclater du popcorn avec la grille du four à micro-ondes.
- Utiliser tout plat à brunissement sur la grille.
- Utiliser SENSOR COOKING et AUTO COOKING avec la grille.
- Cuisson directement sur la grille - utilisez des plats allant au four à micro-ondes.

REMARQUE

La fonction Démarrer/Arrêter du plateau tournant peut être utilisée en fonctionnement manuel. Voir page 129.

Décongélation manuelle

Si les aliments que vous souhaitez décongeler ne figurent pas dans le tableau de décongélation ou sont au-dessus ou en dessous des limites de la colonne de quantité du tableau de décongélation (voir page 119-120), vous devez décongeler manuellement.

Vous pouvez décongeler tous les aliments congelés, crus ou déjà cuits, en utilisant le niveau de puissance 30%.

Pour les aliments congelés crus ou déjà cuits, faites cuire environ 4 minutes par livre. Par exemple, décongeler 4 minutes pour 1 livre de sauce à spaghetti congelée.

Arrêtez toujours le four périodiquement pour retirer ou séparer les portions décongelées. Si les aliments ne sont pas décongelés à la fin de la durée de décongélation estimée, programmez le four par incréments d'une minute au niveau de puissance 30% jusqu'à ce qu'il soit totalement décongelé.

Lorsque vous utilisez les récipients en plastique du congélateur, décongelez juste suffisamment pour les retirer du plastique et les placer dans un plat allant au four à micro-ondes.

CUISSON PAR CAPTEUR

La cuisson par capteur est dotée d'un capteur à commande électronique qui détecte la vapeur (gouttelettes d'eau et humidité) émise par les aliments lorsqu'ils chauffent. Le capteur ajuste automatiquement les temps de cuisson et le niveau de puissance pour divers aliments et quantités.

Utilisation des paramètres du capteur :

1. Assurez-vous que l'extérieur du l'ustensile et l'intérieur du four sont secs. Essayez toute trace d'humidité avec un chiffon sec ou une serviette en papier.
2. Le four fonctionne avec des aliments à une température de stockage normale. Par exemple, le popcorn serait à température ambiante.
3. Plus ou moins d'aliments que la quantité indiquée dans le tableau doit être cuit en suivant les directives de tout livre de cuisine de four à micro-ondes.

4. Pendant la première partie de la SENSOR COOKING, le nom de l'aliment apparaît à l'écran. N'ouvrez pas la porte du four et n'appuyez pas sur la touche **Stop Clear** pendant cette partie du cycle. La mesure de la vapeur sera interrompue. Lorsque le capteur détecte la vapeur émise par les aliments, le reste du temps de cuisson s'affiche. La porte peut être ouverte lorsque le temps de cuisson restant apparaît à l'écran. À ce moment, vous pouvez mélanger ou assaisonner les aliments, comme vous le souhaitez.
5. Si le capteur ne détecte pas correctement la vapeur lors de la préparation du popcorn, le four s'éteint et l'heure correcte de la journée s'affiche. Si le capteur ne détecte pas correctement la vapeur lors de la cuisson d'autres aliments, UN CODE D'ERREUR apparaît et le four s'éteint.
6. Vérifiez la température des aliments après la cuisson. Si plus de temps est nécessaire, continuez la cuisson manuellement.

Couvrir les aliments :

Vous pouvez utiliser ce qui suit pour récupérer vos aliments :

1. Couvercle de cocotte.
2. Enveloppe en plastique : Utilisez une pellicule de plastique recommandée pour la cuisson au four à micro-ondes. Couvrez le plat sans serrer ; laissez environ 1/2 pouce à découvert pour permettre à la vapeur de s'échapper. Le film plastique ne doit pas toucher les aliments.
3. Papier ciré : Couvrez complètement le plat ; pliez l'excédent d'enveloppe sous le plat pour le fixer. Si le plat est plus large que le papier, mettez deux morceaux d'au moins un pouce pour couvrir.

Soyez prudent lorsque vous retirez toute enveloppe pour permettre à la vapeur de s'échapper loin de vous.

REMARQUES SUR LA CUISSON PAR CAPTEUR

1. Le résultat final de la cuisson varie en fonction de l'état des aliments (par ex. température initiale, forme, qualité). Vérifiez la température des aliments après la cuisson. Si plus de temps est nécessaire, continuez la cuisson manuellement.
2. Restez à proximité du four à micro-ondes pendant son utilisation et vérifiez fréquemment la progression de la cuisson pour éviter que les aliments ne soient trop cuits.
3. Lorsque SENSOR COOKING est sélectionné, le plateau tournant est automatiquement réglé pour une cuisson optimale.

Cuisson par capteur

Vous pouvez cuire des aliments en appuyant plusieurs fois sur la touche de cuisson à **Sensor Cook**. Vous n'avez pas besoin de calculer le temps de cuisson ou le niveau de puissance.

- Supposons que vous souhaitez préparer un petit-déjeuner congelé

Touchez :

L'écran affiche :

1. « Sensor Cook »

PRESS AGAIN FOR OPTIONS/ PRESS START

SENSOR

2. « Sensor Cook »

PRESS AGAIN FOR OPTIONS/ PRESS START

SENSOR

3. « Sensor Cook »

PRESS AGAIN FOR OPTIONS/ PRESS START

SENSOR

4. « Sensor Cook »

PRESS AGAIN FOR OPTIONS/ PRESS START

SENSOR

5. « Start/Enter/+30 Sec »


SENSOR COOK

Tableau de cuisson par capteur

ALIMENT	MONTANT	PROCÉDURE
1. Bacon	1-3 tranches	Placez les sangles de bacon sur une grille à bacon micro-ondes pour de meilleurs résultats. (Utilisez une assiette avec essuie-tout si la grille n'est pas disponible).
2. Dîner surgelé	10 onces/ 20 onces	Placez dans un récipient pour micro-ondes de taille appropriée. Couvrez d'un film en plastique. Après la cuisson, remuez et laissez reposer 3 minutes.
3. Riz	1 - 2 tasses	Placez le riz et le double de liquide (eau, bouillon de poulet ou de légumes) dans un plat à micro-ondes de 2 pintes. Couvrez d'un film en plastique et ventilé. Après la cuisson, laissez reposer 10 minutes. Remuez pour obtenir un riz plus tendre.
4. Petit-déjeuner surgelé	8 à 12 onces	Placez dans un récipient pour micro-ondes de taille appropriée. Couvrez d'un film en plastique. Après la cuisson, remuez et laissez reposer 3 minutes.

Réchauffage par capteur

Touchez :

L'écran affiche :

1. « Sensor Reheat »

PRESS AGAIN FOR OPTIONS/ PRESS START
BEVERAGE

2. « Sensor Reheat »

PRESS AGAIN FOR OPTIONS/ PRESS START
DINNER PLATE
SENSOR

3. « Sensor Reheat »

PRESS AGAIN FOR OPTIONS/ PRESS START
SOUP SAUCE
SENSOR

4. « Sensor Reheat »

PRESS AGAIN FOR OPTIONS/ PRESS START
CASSEROLE
SENSOR

5. « Sensor Reheat »

PRESS AGAIN FOR OPTIONS/ PRESS START
ROLLS
SENSOR

6. « Start/Enter/+30 Sec »

ROLLS
SENSOR COOK

Tableau de réchauffage du capteur

ALIMENT	MONTANT	PROCÉDURE
Boisson	1 - 3 tasses	Pour réchauffer les boissons. Remuez vivement les liquides avant et après le chauffage pour éviter toute éruption.
Assiettes de diner	1-2 plats	Placez dans une assiette peu profonde. Couvrez d'un film en plastique ventilé. Laissez reposer 3 minutes après la cuisson.
Soupe/Sauce	1 tasse	Placez dans une casserole peu profonde allant au four à micro-ondes. Couvrez d'un film en plastique ventilé. Après la cuisson, remuez, laissez reposer pendant 3 minutes.
Casserole/Lasagne	10,5 onces	Placez dans un bol ou une casserole allant au four à micro-ondes. Couvrez d'un film en plastique ventilé. Après la cuisson, remuez, laissez reposer pendant 3 minutes.
Rouleau/Muffin	1-3 Pièces	Placer sur une serviette en papier. Ne pas couvrir.

CUISSON À UNE TOUCHE

Pop-corn

La touche Popcorn du pavé tactile rapide vous permet de faire éclater des sacs de 3,3, 3 et 1,75 once de popcorn pour micro-ondes emballé dans le commerce. Faites éclater un seul paquet à la fois. Si vous utilisez un popcorn popper pour micro-ondes, suivez les instructions du fabricant.

- Supposons que vous vouliez faire éclater un sac de popcorn de 3,3 onces.

Touchez :

L'écran affiche :

1. « Popcorn »

PRESS AGAIN FOR OPTIONS/ PRESS START

3.3

oz

2. « Start/Enter/+30 Sec »

POPCORN

COOK

Compte à rebours

Montant

Appuyez sur la touche popcorn

3,30 onces.

Une fois

3,00 onces.

2 fois

1,75 once.

3 fois

Légumes

Il y a 2 options sous légumes (légumes congelés, légumes frais).

- Supposons que vous souhaitez cuire deux tasses de légumes congelés

Touchez :

L'écran affiche :

1. « Veggies »

PRESS AGAIN FOR OPTIONS/ PRESS START

FRESH

2. « Veggies »

PRESS AGAIN FOR OPTIONS/ PRESS START

FROZEN

3. « Start/Enter/+30 Sec »

FROZEN VEGGIES

COOK

Compte à rebours

REMARQUES

- Retirez la métallique du four à micro-ondes lors de la cuisson du popcorn. N'utilisez pas de sacs en papier ordinaires. Ne relancez pas les noyaux non éclatés. Ne faites pas éclater le popcorn dans un ustensile en verre.

Tableau des légumes

ALIMENT (Température initiale)	MONTANT	PROCÉDURE
1. Légumes congelés (-0.4F)	2 tasses	Pas besoin d'ajouter de l'eau. Couvrez le contenu avec un couvercle ou un film plastique. Appuyez deux fois sur la touche vegetables (légumes) pour les légumes congelés. Après la cuisson, remuez, laissez reposer à couvert pendant 3 minutes.
2. Légumes frais (41F) Brocolis Choux de Bruxelles Chou Chou-fleur (fleurtes) Chou-fleur (entier) Épinard Courge zucchini	2 tasses	Lavez et placez dans une casserole. N'ajoutez pas d'eau si les légumes viennent d'être lavés. Couvrez avec un couvercle pour les légumes tendres. Utilisez un film de plastique pour les légumes tendres et croquants. Appuyez une fois sur la touche vegetables (légumes) pour les légumes frais. Après la cuisson, remuez, laissez reposer à couvert pendant 2 à 5 minutes.
Carottes, tranchées Épis de maïs Haricots verts Courge d'hiver - en dés - en moitiés		Lavez et placez dans une casserole. Ajoutez 1 à 4 cuillères à soupe d'eau. Couvrez avec un couvercle pour les légumes tendres. Utilisez un film de plastique pour les légumes tendres et croquants. Appuyez une fois sur la touche vegetables (légumes) pour les légumes frais. Après la cuisson, remuez, laissez reposer à couvert pendant 2 à 5 minutes.

Menu collation

Le menu Snack sert à faire cuire/réchauffer des aliments qui prennent peu de temps.

- Supposons que vous souhaitez réchauffer 3 hot-dogs.

Touchez :

L'écran affiche :

1. « Snack Menu »

PRESS AGAIN FOR OPTIONS/ PRESS START
FROZEN PIZZA

2. « Snack Menu »

PRESS AGAIN FOR OPTIONS/ PRESS START
HOT DOGS

3. « Start/Enter/+30 Sec »

1-6

Touchez :

L'écran affiche :

4. ③

PRESS START
3

5. « Start/Enter/+30 Sec »

HOT DOGS
COOK

Compte à rebours

Tableau du menu Collations

ALIMENT	MONTANT	PROCÉDURE
1. Pizza congelée MW	(6 - 8 onces)	À utiliser pour la pizza au four à micro-ondes congelée. Retirez de l'emballage et déballez. Suivez les instructions de l'emballage pour son utilisation et/ou du plat argenté.
2. Hot-dogs	1 à 6 Pièces	Placez le hot-dog dans le pain. Enveloppez chacun avec une serviette en papier ou une serviette de table.
3. Repas dans une tasse	2,39 onces	Ce réglage est idéal pour les portions individuelles d'aliments en conserve emballées dans un petit récipient allant four à micro-ondes, généralement de 6 à 8 onces. Après la cuisson, remuez les aliments et laissez reposer 1 à 2 minutes.
4. Repas congelé	8.8 onces	Utilisez cette touche pour les plats cuisinés surgelés. Retirez l'emballage de l'emballage extérieur et suivez les instructions de l'emballage pour la cuisson. Après la cuisson, laissez reposer à couvert pendant 1 à 3 minutes. Ce paramètre fournit des résultats satisfaisants pour la plupart des plats congelés.

Pommes de terre

- Supposons que vous souhaitez cuire 1 à 4 pommes de terre au four.

Touchez :

L'écran affiche :

1. « Potato »

PRESS START
POTATO
SENSOR

2. « Start/Enter/+30 Sec »

POTATO
SENSOR COOK

REMARQUES

1. Les temps de cuisson sont basés des pommes de terre de 8 onces en moyenne.

Tableau de pommes de terre au four

ALIMENT	MONTANT	PROCÉDURE
Pommes de terre*	1 à 4 portions	Percez avec une fourchette à plusieurs endroits. Placez sur une serviette en papier sur le plateau tournant. Après la cuisson, sortez du four et laissez reposer pendant 5 minutes.

* Il n'est pas nécessaire d'entrer le montant ou le nombre.

Réglage fonte/ramollissement

Le four utilise une faible puissance pour faire fondre et ramollir les articles. Consultez le tableau suivant.

- Supposons que vous souhaitez faire fondre 2 bâtonnets de beurre.

Touchez :	L'écran affiche :
1. « Melt/Soften »	<small>PRESS AGAIN FOR OPTIONS/ PRESS START</small> MELT BUTTER
2. « Start/Enter/+30 Sec »	ENTER 1-2 STK
3. ②	<small>PRESS START</small> 2 STICK
4. « Start/Enter/+30 Sec »	MELT BUTTER <small>COOK</small> Compte à rebours

Table de fusion

CATÉGORIE	MONTANT	DIRECTION
BEURRE	1 ou 2 bâtonnets	Déballez et placez dans un ustensile allant au four à micro-ondes. Pas besoin de couvrir le beurre. Remuez à la fin de la cuisson pour terminer la fonte.
CHOCOLAT	2, 4 ou 8 onces.	Des pépites ou carrés de chocolat au four peuvent être utilisés. Déballez les carrés et placez dans un plat allant au four à micro-ondes. Remuez à la fin de la cuisson pour terminer la fonte.
CRÈME GLACÉE RAMOLLIE	Pinte, 1,5 Quart.	Placez le plat dans le four. La crème glacée sera suffisamment douce pour faciliter pour faciliter l'utilisation d'une cuillère à glace.

TABLE DE FUSION

CATÉGORIE	MONTANT	DIRECTION
CRÈME RAMOLLIE	3 ou 8 onces.	Déballiez et placez dans un ustensile allant au four à micro-ondes. Le fromage frais sera à température ambiante et prêt à être utilisé dans la recette.

CUISINE AUTOMATIQUE

Cuisine automatique

La cuisson automatique est divisée en 2 parties : repas rapides (œufs brouillés, céréales chaudes, pizza congelée, brownies au fudge) et recettes de dîner (crevettes à l'ail, pommes de terre rouges Asiago, mélange de légumes rôtis, risotto au citron et aux crevettes, chili au poulet blanc).

Touche	Aliment	Montant
Auto Cook x1	Œufs brouillés	1 à 6 œufs
Auto Cook x2	Céréales chaudes	1 à 3 portions
Auto Cook x3	Pizza congelée	12 onces
Auto Cook x4	Brownies au fudge	18 à 19 onces
Auto Cook x5	Crevettes à l'ail	Par recette
Auto Cook x6	Champignons farcis	Par recette
Auto Cook x7	Pommes de terre rouges Asiago	Par recette
Auto Cook x8	Mélange de légumes rôtis	Par recette
Auto Cook x9	Risotto aux crevettes et au citron	Par recette
Auto Cook x10	Poulet blanc au chili	Par recette

Repas rapides

- Supposons que vous souhaitez cuire des céréales chaudes pour 3 personnes

Touchez :

L'écran affiche :

1. « Auto Cook »

PRESS AGAIN FOR OPTIONS/ PRESS START
SCRAMBLE] EGGS

2. « Auto Cook »

PRESS AGAIN FOR OPTIONS/ PRESS START
HOT CEREAL

Touchez :	L'écran affiche :
3. « Start/Enter/+30 Sec »	1-3 SERVING
4. ③	3 SERVINGS <small>PRESS START</small>
5. « Start/Enter/+30 Sec »	HOT CEREAL <small>COOK</small>
	Compte à rebours

REMARQUES

Lorsque « AUTO COOKING » est sélectionné, le plateau tournant est automatiquement réglé pour une cuisson optimale.

Tableau des repas rapides

ALIMENT	MONTANT	PROCÉDURE
1. Œufs brouillés	1 à 6 œufs	Utilisez pour les œufs congelés, les céréales chaudes, la Pizza, retirez de l'emballage et déballez. Suivez les instructions de l'emballage pour son utilisation et/ou du plat argenté.
2. Céréales chaudes	1 à 3 portions	Placez le hot-dog dans le pain. Enveloppez chacun avec une serviette en papier ou une serviette de table.
3. Pizza congelée	12 onces	Ce réglage est idéal pour les portions individuelles d'aliments en conserve emballées dans un petit récipient allant four à micro-ondes, généralement de 6 à 8 onces. Retirez le couvercle métallique intérieur et remettez le couvercle extérieur allant four à micro-ondes. Après la cuisson, remuez les aliments et laissez reposer 1 à 2 minutes.
4. Brownies au fudge	18 à 19 onces	Préparez le mélange de brownie selon les instructions sur l'emballage. Déposez la pâte dans un plat en verre allant au four à micro-ondes de 8 x 8 pouces enduit d'un spray à cuisson. Sélectionnez « Fudge Brownies » dans le menu Auto Cook.

Recettes de dîner

- Supposons que vous souhaitez préparer des crevettes à l'ail.

Touchez :

L'écran affiche :

1. « Auto Cook »

PRESS AGAIN FOR OPTIONS/ PRESS START
SCRAMBLED EGGS

2. « Auto Cook »

PRESS AGAIN FOR OPTIONS/ PRESS START
HOT CEREAL

3. « Auto Cook »

PRESS AGAIN FOR OPTIONS/ PRESS START
FROZEN PIZZA

4. « Auto Cook »

PRESS AGAIN FOR OPTIONS/ PRESS START
FUDGE BROWNIES

5. « Auto Cook »

PRESS AGAIN FOR OPTIONS/ PRESS START
GARLIC SHRIMP

6. « Start/Enter/+30 Sec »

GARLIC SHRIMP
COOK
Compte à rebours

Recettes de dîner

Crevettes à l'ail

- ¼ tasse de beurre
- 6 gousses d'ail émincées
- 2 cuillères à soupe de ciboulette fraîche hachée
- 2 cuillères à soupe de jus de citron
- 1 cuillère à soupe de pâte de piment
- Sel au goût
- 1 livre de grosses crevettes crues, pelées et déveinées

Mettez le beurre dans une casserole de 2 litres avec couvercle allant au four à micro-ondes. Faites cuire au four à micro-ondes à puissance élevée pendant 1 minute ou jusqu'à ce que le beurre fonde. Ajoutez l'ail et faites cuire au four à micro-ondes 1 minute supplémentaire. Incorporez ciboulette, jus de citron, pâte de piment et sel. Ajoutez les crevettes en remuant pour bien les enrober. Couvrez et faites cuire au four à micro-ondes à puissance élevée pendant 5 minutes, ou jusqu'à ce que les crevettes soient opaques, en remuant après 3 minutes. Servir éventuellement avec du riz cuit chaud.

Champignons farcis

1 livre de champignons entiers
2 cuillères à soupe de beurre fondu
1 bouquet d'oignon vert, haché
¼ tasse de parmesan râpé
2 cuillères à soupe de chapelure
1 cuillère à café de jus de citron
¼ cuillère à café de poivre à l'ail
Poivron rouge broyé au goût

Retirez les tiges des champignons et le mettre de côté. Disposer les chapeaux de champignons sur un plat allant au four à micro-ondes. Hachez finement les tiges de champignons mis de côté. Mélangez beurre, tiges de champignons hachées et oignon vert dans un plat allant au four à micro-ondes d'un litre à puissance élevée pendant 2 minutes. Ajoutez le reste des ingrédients et bien mélangez. Versez la garniture dans les chapeaux de champignons. Faites cuire au four à micro-ondes à puissance élevée pendant 4 à 5 minutes ou jusqu'à ce que les champignons deviennent tendres.

Pommes de terre rouges Asiago

1 ¼ livre de pommes de terre rouges, pelées et tranchées finement
2 tasses à farine tout usage
½ cuillère à café de sel
1 ¼ tasse de lait
1 cuillère à soupe de beurre fondu
5 onces de fromage Asiago râpé

Mélangez pommes de terre, farine et sel dans un sac en plastique à fermeture éclair ; scellez le sac et secouez pour enrober les pommes de terre. Transférez les pommes de terre dans une casserole légèrement graissée de 2 pintes allant au four à micro-ondes. Ajoutez le lait et le beurre en bien remuant. Couvrez et faites cuire au four à micro-ondes à puissance 80% pendant 12 minutes ou jusqu'à ce que les pommes de terre soient tendres ; saupoudrez de fromage et faites cuire au four à micro-ondes à puissance 80% pendant une minute supplémentaire ou jusqu'à ce que le fromage fonde.

Mélange de légumes rôtis

1 tasse de mini-carottes
1 tasse de courge jaune tranchée
1 tasse de courgettes tranchées
½ tasse de poivron rouge tranché
½ tasse d'oignon émincé
1 cuillère à soupe de beurre
Ail et herbes pour assaisonnement au goût

Mélangez carottes, courge, courgettes, poivron et oignon dans un plat de 2 litres allant au four à micro-ondes. Parsemez de beurre et saupoudrez d'assaisonnement. Couvrez et faites cuire au four à micro-ondes à puissance élevée pendant 8 minutes ou jusqu'au degré de cuisson souhaité.

Spécifications

Consignes de
sécurité

Matériaux

Noms des
pièces

Opérations

Maintenance

Risotto au citron et aux crevettes

2 cuillères à soupe de beurre
2 cuillères à soupe d'huile d'olive
2 cuillères à soupe d'échalote finement hachée
4 tasses de bouillon de poulet
¼ tasse de jus de citron fraîchement pressé
2 tasses de risotto
1 livre de crevettes moyennes, pelées et déveinées
1 tasse de petits pois congelés, décongelés
2 cuillères à café de zeste de citron râpé
¼ cuillère à café de poivre noir
¾ cuillère à café de sel

Mélangez beurre, huile d'olive et échalote dans un plat d'un litre, allant au four à micro-ondes. Faites cuire au four à micro-ondes à puissance élevée pendant 1 minute ou jusqu'à ce que l'échalote soit tendre. Servez.

Mélangez bouillon de poulet et jus de citron dans une tasse à mesurer ou une casserole de 2 pintes allant au four à micro-ondes. Couvrez d'un couvercle ou d'une pellicule plastique ventilée. Faites cuire au four à micro-ondes à puissance maximale pendant 10 minutes. Incorporez le mélange d'échalote et de risotto réservés. Couvrez et continuez à cuire au four à micro-ondes à puissance 50% pendant 20 minutes. Incorporez crevettes, pois, zeste de citron râpé, poivre et sel. Couvrez et faites cuire au four à micro-ondes à puissance 50% pendant 5 minutes, ou jusqu'à ce que les crevettes soient opaques.

Poulet blanc au chili

1 livre de poitrine de poulet désossée et sans peau, coupée en cubes
½ tasse d'oignon haché
3 gousses d'ail émincées
1 boîte (15 onces) de haricots blancs, égouttés
1 boîte (4 onces) de piment vert haché
1 tasse de bouillon de poulet
1 ½ cuillère à café de poudre de chili
¾ cuillère à café de cumin
½ cuillère à café de sel
½ cuillère à café de poivre noir
½ tasse de coriandre fraîche hachée
2 cuillères à soupe de jus de citron vert frais

Mélangez poulet, oignon et ail dans un plat de 2,5 litres, allant au four à micro-ondes. Couvrez et faites cuire au four à micro-ondes à puissance élevée pendant 6 minutes, ou jusqu'à ce que le poulet soit complètement cuit et l'oignon tendre, en remuant après 3 minutes.

Ajoutez haricots blancs, piment, bouillon de poulet, poudre de chili, cumin, sel et poivre, en bien remuant. Couvrez et faites cuire au four à micro-ondes à puissance élevée pendant 10 minutes, en remuant après 5 minutes.

Incorporez coriandre et jus de lime avant de servir.

DÉCONGÉLATION AUTOMATIQUE

Utilisation de la décongélation automatique

La fonction de décongélation automatique vous offre la meilleure méthode de décongélation pour les aliments surgelés. Le guide de cuisson vous montre quelle séquence de décongélation est recommandée pour les aliments que vous décongelez.

Pour plus de commodité, la décongélation automatique comprend un mécanisme de bip intégré qui vous rappelle de vérifier, retourner, séparer ou réorganiser les aliments afin d'obtenir les meilleurs résultats de décongélation. Trois niveaux de décongélation différents sont fournis :

1. VIANDE
2. VOLAILLE
3. POISSON

Le poids disponible est de 0,1 à 6,0 lb

- Supposons que vous vouliez décongeler 1,2 lb de poisson.

Touchez :	L'écran affiche :
1. « Auto Defrost »	<small>PRESS AGAIN FOR OPTIONS/ PRESS START</small> MEAT
2. « Auto Defrost »	<small>PRESS AGAIN FOR OPTIONS/ PRESS START</small> POULTRY
3. « Auto Defrost »	<small>PRESS AGAIN FOR OPTIONS/ PRESS START</small> FISH
4. « Start/Enter/+30 Sec »	ENTER WEIGHT lb
5. ① et ② Pour entrer le poids	<small>PRESS START</small> 1.2 lb
6. « Start/Enter/+30 Sec »	<small>DEFR.</small> FISH Compte à rebours

REMARQUES

Le four émettra un bip pendant le cycle de « DÉCONGÉLATION ». À ce stade, ouvrez la porte et tournez, séparez ou réorganisez les aliments. Retirez toutes les portions décongelées. Remettez les portions congelées dans le four et appuyez sur « Start/Enter/+30 Sec » pour reprendre le cycle de décongélation.

Conseils d'utilisation

- Pour de meilleurs résultats, retirez le poisson, les crustacés, la viande et la volaille de son enveloppe d'origine en papier ou en plastique fermé (enveloppe). Autrement, l'enveloppe retient la vapeur et le jus près des aliments, provoquant la cuisson uniquement de la surface extérieure des aliments.
- Pour de meilleurs résultats, roulez votre viande hachée en boule avant de la congeler. Pendant le cycle DÉCONGÉLATION, le four à micro-ondes signale quand il est temps de retourner la viande. Grattez tout excès de givre de la viande et poursuivez la décongélation.
- Placez les aliments dans un récipient peu profond ou sur une grille à rôtir pour micro-ondes pour récupérer les égouttements.

Ce tableau montre les sélections de types d'aliments et les poids que vous pouvez définir pour chaque type. Pour de meilleurs résultats, desserrez ou retirez l'enveloppe sur les aliments.

APPUYER SUR LA TOUCHE	Catégorie	POIDS QUE VOUS POUVEZ RÉGLER (Dixièmes de livre)
Décongélation automatique x 1	Viande	0,1 à 6,0 livres
Décongélation automatique x 2	Volaille	0,1 à 6,0 livres
Décongélation automatique x 3	Poisson	0,1 à 6,0 livres

Tableau de conversion de poids

Vous êtes probablement habitué à mesurer les aliments en livres et en onces qui sont des fractions du livre (par exemple, 4 onces équivalent à 1/4 de livre). Cependant, pour entrer le poids des aliments dans la décongélation automatique, vous devez spécifier les livres et les dixièmes de livre. Si le poids sur l'emballage alimentaire est en fractions de livre, vous pouvez utiliser le tableau suivant pour convertir le poids en décimales.

Poids équivalent	
ONCES	POIDS DÉCIMAL
1,6	10
3,2	20
4,0	25 Un quart de livre
4,8	30
6,4	40
8,0	50 Une demi-livre
9,6	60
11,2	70
12,0	75 Trois quarts de livre
12,8	80
14,4	90
16,0	1,0 une livre

REMARQUES

Si le poids est compris entre deux décimales, arrondissez au poids inférieur pour obtenir les meilleurs résultats de décongélation.

Tableau de décongélation automatique

REMARQUE : Les gros morceaux de viande gras ou de forme irrégulière doivent avoir les zones étroites ou grasses protégées au début de la séquence de décongélation.

Paramètres de viande

ALIMENT	REGLAGE	AU BIP	INSTRUCTIONS PARTICULIÈRES
BŒUF			
Bœuf haché, en vrac	VIANDE	Retirez les portions décongelées à la fourchette. Retourner. Remettez le reste au four.	Ne décongelez pas moins de 1/4 livre. Congelez en forme de boule.
Bœuf haché, en galettes	VIANDE	Séparez et réorganisez.	Ne décongelez pas moins de 2 onces de galettes. Appuyez au milieu lors de la congélation.
Steak rond	VIANDE	Retourner. Couvrez les zones chaudes avec du papier d'aluminium.	Placez dans un plat allant au four à micro-ondes.
Steak de filet	VIANDE	Retourner. Couvrez les zones chaudes avec du papier d'aluminium.	Placez dans un plat allant au four à micro-ondes.
Ragoût de bœuf	VIANDE	Retirez les portions décongelées à la fourchette. Reste séparé.	Placez dans un plat allant au four à micro-ondes.
Rôti en pot, rôti de mandrin	VIANDE	Remettez le reste au four.	Placez dans un plat allant au four à micro-ondes.
Rôti de côtes	VIANDE	Retourner. Couvrez les zones chaudes avec du papier d'aluminium.	Placez dans un plat allant au four à micro-ondes.
Rôti de croupe roulé	VIANDE	Retourner. Couvrez les zones chaudes avec du papier d'aluminium.	Placez dans un plat allant au four à micro-ondes.
AGNEAU			
Cubes pour ragoût	VIANDE	Retourner. Couvrez les zones chaudes avec du papier d'aluminium.	Placez dans un plat allant au four à micro-ondes.
Côtelettes (1 pouce d'épaisseur)	VIANDE	Retirez les portions décongelées à la fourchette. Remettez le reste au four.	Placez dans un plat allant au four à micro-ondes.
PORC			
Côtelettes (1/2 pouce d'épaisseur)	VIANDE	Séparez et réorganisez.	Placez dans un plat allant au four à micro-ondes.
Hot-dogs	VIANDE	Séparez et réorganisez.	Placez dans un plat allant au four à micro-ondes.
Travers de porc à la paysanne	VIANDE	Retourner. Couvrez les zones chaudes avec du papier d'aluminium.	Placez dans un plat allant au four à micro-ondes.
Saucisses, Liens	VIANDE	Séparez et réorganisez.	Placez dans un plat allant au four à micro-ondes.
Saucisse, en vrac	VIANDE	Retirez les portions décongelées à la fourchette. Retourner. Remettez le reste au four.	Placez dans un plat allant au four à micro-ondes.
Rôti de longe, désossé	VIANDE	Retourner. Couvrez les zones chaudes avec du papier d'aluminium.	Placez dans un plat allant au four à micro-ondes.

Tableau de décongélation automatique (suite)

Paramètres de volaille

ALIMENT	REGLAGE	AU BIP	INSTRUCTIONS PARTICULIÈRES
POULET			
Entier (Jusqu'à 6 livres)	VOLAILLE	Retournez le côté poitrine vers le bas. Couvrez les zones chaudes avec du papier d'aluminium.	Placez le poulet côté poitrine vers le haut dans un plat allant au four à micro-ondes. Terminez la décongélation en plongeant dans l'eau froide. Retirez les abats lorsque le poulet est partiellement décongelé.
Découpe		Séparez les pièces et réorganisez. Retourner. Couvrez les zones chaudes avec du papier d'aluminium.	Placez dans un plat allant au four à micro-ondes. Terminez la décongélation en plongeant dans l'eau froide.
CORNOUAILLAIS			
POULES entières	VOLAILLE	Retourner. Couvrez les zones chaudes avec du papier d'aluminium.	Placez dans un plat allant au four à micro-ondes. Terminez la décongélation en plongeant dans l'eau froide.
DINDE			
Poitrine (Jusqu'à 6 livres)	VOLAILLE	Retourner. Couvrez les zones chaudes avec du papier d'aluminium.	Placez dans un plat allant au four à micro-ondes. Terminez la décongélation en plongeant dans l'eau froide.

Paramètres de poisson

ALIMENT	REGLAGE	AU BIP	INSTRUCTIONS PARTICULIÈRES
POISSON			
Filets	POISSON	Retourner. Séparez les filets lorsqu'ils sont partiellement décongelés, si possible.	Placez dans un plat allant au four à micro-ondes. Séparez soigneusement les filets sous l'eau froide.
Steaks	POISSON	Séparez et réorganisez.	Placez dans un plat allant au four à micro-ondes. Faites couler de l'eau froide pour terminer la décongélation.
Entier	POISSON	Retourner	Placez dans un plat allant au four à micro-ondes. Couvrez la tête et la queue avec du papier d'aluminium ; ne laissez pas le papier d'aluminium toucher les parois du four à micro-ondes. Terminez la décongélation en plongeant dans l'eau froide.
FRUITS DE MER			
Chair de crabe	POISSON	Briser. Retourner.	Placez dans un plat allant au four à micro-ondes.
Queues de homard	POISSON	Briser. Retourner.	Placez dans un plat allant au four à micro-ondes.
Crevettes	POISSON	Briser. Retourner.	Placez dans un plat allant au four à micro-ondes.
Escalopes	POISSON	Briser. Retourner.	Placez dans un plat allant au four à micro-ondes.

Conseils de décongélation

- Lors de l'utilisation de la décongélation automatique, le poids à entrer est le poids net en livres et en dixièmes de livres (le poids de l'aliment moins celui du plat).
- Avant de décongeler, retirez toutes les attaches métalliques qui viennent souvent avec les sacs d'aliments congelés et de les remplacer par des ficelles ou des bandes élastiques.
- Ouvrez les récipients, comme les cartons, avant de les placer dans le four.
- Découpez ou percez toujours les sachets ou les emballages en plastique.
- Si les aliments sont emballés dans du papier d'aluminium, retirez le papier et les placer dans un récipient approprié.
- Coupez la peau des aliments non dépouillés, comme les saucisses.
- Pliez les sachets en plastique de aliments pour assurer une décongélation uniforme.
- Sous-estimez toujours le temps de décongélation. Si les aliments sont encore congelés à l'intérieur, les remettre dans le four à micro-ondes pour plus de décongélation.
- La durée de décongélation varie en fonction de la solidité de congélation des aliments.
- La forme de l'emballage détermine la vitesse de décongélation des aliments. Les emballages peu profonds décongèlent plus rapidement que ceux profonds.
- Au fur et à mesure que les aliments commencent à décongeler, séparez les morceaux plus facilement et plus rapidement.
- Utilisez de petits morceaux de papier d'aluminium pour protéger les parties des aliments tels que ailes de poulet, bouts de cuisses, queues de poisson ou zones qui commencent à chauffer. Assurez-vous que le papier d'aluminium ne touche pas les côtés, le haut ou le bas du four. Le papier d'aluminium peut endommager la doublure du four.
- Pour de meilleurs résultats, laissez les aliments reposer après la décongélation.
- Retournez les aliments pendant la décongélation ou le repos.
- Séparez et retirez les aliments au besoin.

FNCTIONS PRATIQUES

1. Préférences utilisateur

Le four à micro-ondes offre des réglages qui vous permettent de personnaliser le fonctionnement à votre convenance. Vous trouverez ci-dessous un tableau indiquant les différents réglages. Appuyez plusieurs fois sur la touche User pref (Préférences utilisateur) pour aller jusqu'à la fonction de réglage souhaitée.

Appuyer sur la touche	Option
User pref X 1	Horloge
User pref X 2	Verrouillage des commandes
User pref X 3	Volume (Désactivé/Faible/Moyen/Élevé)
User pref X 4	Poids (livre/kg)
User pref X 5	Écran de l'horloge
User pref X 6	Démo

(1). Réglage de l'heure

L'horloge peut être désactivée lorsque le four à micro-ondes est branché pour la première fois et que la touche « Stop/Clear » est appuyée. Pour réactiver l'horloge, suivez les instructions données par l'horloge.

- Supposons que vous souhaitez régler l'horloge sur 10:59.

Touchez :	L'écran affiche :
1. « User Pref »	<small>PRESS AGAIN FOR OPTIONS/</small> 12:00 ENTER TIME
2. ① ⑩ ⑤ ⑨	<small>PRESS START</small> 10:59
3. « Start/Enter/+30 Sec »	10:59

REMARQUES

1. Vous ne pouvez pas entrer une heure incorrecte (ex. 2:89), le 8 est un chiffre non valide et ne peut pas être entré. Entrez l'heure correcte.
2. Si vous touchez « Stop/Clear » pendant le réglage de l'heure, l'écran affiche la dernière heure du jour réglée ou un affichage vide si aucune heure n'a été réglée.

(2). Activer/désactiver le verrouillage des commandes

Pour activer le verrouillage des commandes.

Touchez :	L'écran affiche :
1. « User Pref »	<small>PRESS AGAIN FOR OPTIONS!</small> 12:00 ENTER TIME
2. « User Pref »	<small>PRESS AGAIN FOR OPTIONS! / PRESS START</small> CONTROL LOCK
3. « Start/Enter/+30 Sec »	LOCKED
Pour désactiver le verrouillage des commandes, appuyez sur User pref (Préférences utilisateur), puis sur « Start/Enter/+30 Sec »	
4. « Start/Enter/+30 Sec »	UNLOCKED

(3). Réglage du son à un niveau Faible/Moyen/Élevé/Désactivé

Des signaux sonores sont disponibles pour vous guider lors du réglage et de l'utilisation de votre four.

- **Une tonalité de programmation** est émise chaque fois que vous appuyez sur une touche.
- **Trois tonalités** signalent la fin d'un compte à rebours du minuteur.
- **Trois tonalités** signalent la fin d'un cycle de cuisson.
- Supposons que vous souhaitez désactiver le signal sonore.

Touchez :	L'écran affiche :
1. « User Pref »	<small>PRESS AGAIN FOR OPTIONS/</small> 12:00 ENTER TIME
2. « User Pref »	<small>PRESS AGAIN FOR OPTIONS/ PRESS START</small> CONTROL LOCK
3. « User Pref »	<small>PRESS AGAIN FOR OPTIONS/ PRESS START</small> VOLUME LOW
	<small>PRESS AGAIN FOR OPTIONS/ PRESS START</small> VOLUME MED
	<small>PRESS AGAIN FOR OPTIONS/ PRESS START</small> VOLUME HIGH
	<small>PRESS AGAIN FOR OPTIONS/ PRESS START</small> VOLUME OFF
4. « Start/Enter/+30 Sec »	OFF

REMARQUES

Lorsque le cycle de cuisson est terminé, END apparaît et un signal sonore est émis si le son est activé.

(4). Réglage du poids Lb/KG

- Supposons que vous souhaitiez basculer le poids entre livre et kilogramme

Touchez :	L'écran affiche :
1. « User Pref »	<small>PRESS AGAIN FOR OPTIONS/</small> 12:00 ENTER TIME
2. « User Pref »	<small>PRESS AGAIN FOR OPTIONS/ PRESS START</small> CONTROL LOCK
3. « User Pref »	<small>PRESS AGAIN FOR OPTIONS/ PRESS START</small> VOLUME LOW <small>PRESS AGAIN FOR OPTIONS/ PRESS START</small>
4. « User Pref »	<small>PRESS AGAIN FOR OPTIONS/ PRESS START</small> Lb / KG
5. « Start/Enter/+30 Sec »	Lb Kg KG Livre

REMARQUES

Si l'écran affiche kg, appuyez sur la touche « Start/Enter/+30 Sec » pour réinitialiser les commandes du four à livres. Pour retourner à l'unité kg, vous devez appuyer quatre fois sur « User Pref » puis appuyer sur « Start/Enter/+30 Sec ».

(5). Réglage de l'affichage de l'heure

- Supposons que vous souhaitez choisir la langue.

Touchez :	L'écran affiche :
1. « User Pref »	<small>PRESS AGAIN FOR OPTIONS/</small> 12:00 ENTER TIME
2. « User Pref »	<small>PRESS AGAIN FOR OPTIONS/ PRESS START</small> CONTROL LOCK
3. « User Pref »	<small>PRESS AGAIN FOR OPTIONS/ PRESS START</small> VOLUME LOW
4. « User Pref »	<small>PRESS AGAIN FOR OPTIONS/ PRESS START</small> Lb / Kg
5. « User Pref »	<small>PRESS AGAIN FOR OPTIONS/ PRESS START</small> CONTROL DISPLAY ON OFF
6. « Start/Enter/+30 Sec »	<small>PRESS AGAIN FOR OPTIONS/ PRESS START</small> OFF ON

REMARQUES

Lorsque « Start/Enter/+30 Sec » est appuyé et que le réglage précédent était Anglais, il devient Français. Si vous voulez retourner à l'anglais, vous devez appuyer cinq fois sur User pref (Préférences utilisateur), puis appuyer sur « Start/Enter/+30 Sec »

(6). Activer/désactiver le mode Démo

- Supposons que vous souhaitez accéder au mode Démo. Lorsque le mode Démo est activé, les fonctions de programmation fonctionnent en mode compte à rebours rapide sans puissance de cuisson.

Touchez :	L'écran affiche :
1. « User Pref »	<small>PRESS AGAIN FOR OPTIONS/</small> 12:00 ENTER TIME
2. « User Pref »	<small>PRESS AGAIN FOR OPTIONS/ PRESS START</small> CONTROL LOCK
3. « User Pref »	<small>PRESS AGAIN FOR OPTIONS/ PRESS START</small> VOLUME LOW
4. « User Pref »	<small>PRESS AGAIN FOR OPTIONS/ PRESS START</small> LB / KG
5. « User Pref »	<small>PRESS AGAIN FOR OPTIONS/ PRESS START</small> CONTROL DISPLAY ON
6. « User Pref »	<small>PRESS AGAIN FOR OPTIONS/ PRESS START</small> DEMO OFF
7. « Start/Enter/+30 Sec »	ON OFF

REMARQUES

Lorsque « Start/Enter/+30 Sec » est appuyé et que le réglage précédent était OFF, il s'allume. Si vous souhaitez désactiver le mode démo, vous devez appuyer six fois sur User pref, puis appuyer sur « Start/Enter/+30 Sec »

2. Réglage du minuteur

Vous pouvez utiliser votre four à micro-ondes à l'aide d'un minuteur. Vous pouvez définir jusqu'à 99 minutes, 99 secondes. Le minuteur de cuisine peut être utilisé pendant que le four à micro-ondes est en marche.



- Pour régler Le minuteur sur trois minutes.

Touchez :	L'écran affiche :
1. « Timer »	TIMER ENTER TIME
2. ③ ① ①	TIMER 3:00 PRESS START
3. « Timer »	TIMER 3:00 Le minuteur commence le compte à rebours

3. Utilisation du ventilateur

La touche Vent contrôle le ventilateur, qui offre 2 vitesses. Si le ventilateur est éteint, la première pression sur la touche le met sur élevé, la deuxième touche le met sur faible et la troisième l'éteint.

- Supposons que vous souhaitez régler la vitesse du ventilateur sur faible à partir de la position éteint.

Touchez :	L'écran affiche :
1.  Élevé Faible Désactivé	HIGH
2.  Élevé Faible Désactivé	LOW


REMARQUES

Si la température du four ou du plateau tournant devient trop élevée, le ventilateur se met automatiquement en marche pour les protéger. Il peut rester en marche jusqu'à une heure pour refroidir le four. Lorsque cela se produit, la touche Vent n'éteint pas le ventilateur.

4. Utilisation de la lumière de cuisson

La touche d'icône de lumière contrôle la lumière de cuisson. Si la lumière est éteinte, la première touche l'allume (élevée), la deuxième touche réduit la puissance de la lumière à Faible et la troisième touche l'éteint.

- Supposons que vous souhaitez régler la lumière sur élevée à partir de la position éteinte.

Touchez :	L'écran affiche :
1.  Élevé Faible Désactivé	HIGH

5. Démarrage/Arrêt du plateau tournant

Appuyez sur Turntable On-Off pour Démarrer/Arrêter du plateau tournant.

Pour de meilleurs résultats de cuisson, laissez le plateau tournant en marche. Il peut être arrêté pour les grands plats.

Touchez :	L'écran affiche :
1. « Turntable On-Off »	OFF
2. « Turntable On-Off »	ON

REMARQUES

Parfois, le plateau tournant peut devenir chaud au toucher pendant et après la cuisson. N'utilisez pas le four à vide.

MAINTENANCE

Dépannage

Si votre four à micro-ondes ne fonctionne pas correctement, reportez-vous aux conseils de dépannage ci-dessous.

Si cela ne résout pas le problème, appelez votre technicien de maintenance agréé local.

PROBLÈME	CAUSE POSSIBLE	SOLUTIONS POSSIBLES
Le four ne démarre pas	a. Le cordon électrique du four n'est pas branché. b. La porte est ouverte. c. Mauvaise opération.	a. Branchez le cordon. b. Fermez la porte et réessayez. c. Consultez le guide d'utilisation.
Arc ou étincelle	a. Matériaux à éviter dans un four à micro-ondes ont été utilisés. b. Le four est utilisé à vide. c. La cavité contient de la nourriture renversée.	a. Utilisez uniquement des plats adaptés au four à micro-ondes. b. N'utilisez pas le four à vide. c. Nettoyez la cavité avec une serviette humide.
Aliments mal cuits	a. Matériaux à éviter dans un four à micro-ondes ont été utilisés. b. Les aliments ne sont pas complètement décongelés. c. Temps de cuisson et/ou niveau de puissance non approprié. d. Les aliments ne sont ni retournés ni remués.	a. Utilisez uniquement des plats allant au four à micro-ondes. b. Décongelez complètement les aliments. c. Utilisez un temps de cuisson et/ou niveau de puissance approprié. d. Retournez ou remuez les aliments.
Aliments trop cuits	Temps de cuisson et/ou niveau de puissance non pas approprié.	Utilisez un temps de cuisson et/ou niveau de puissance approprié.
Aliments insuffisamment cuits	a. Matériaux à éviter dans un four à micro-ondes ont été utilisés. b. Les aliments ne sont pas complètement décongelés. c. Les orifices de ventilation du four sont obstrués. d. Temps de cuisson et/ou niveau de puissance non pas approprié.	a. Utilisez uniquement des plats allant au four à micro-ondes. b. Décongelez complètement les aliments. c. Vérifiez que les orifices de ventilation du four ne sont pas obstrués. d. Utilisez un temps de cuisson et/ou niveau de puissance approprié.
Décongélation incorrecte	a. Matériaux à éviter dans un four à micro-ondes ont été utilisés. b. Temps de cuisson et/ou niveau de puissance non pas approprié. c. Les aliments ne sont ni retournés ni remués.	a. Utilisez uniquement des plats allant au four à micro-ondes. b. Utilisez un temps de cuisson et/ou niveau de puissance approprié. c. Retournez ou remuez les aliments.



JOINDRE VOTRE REÇU ICI. UNE PREUVE D'ACHAT EST NÉCESSAIRE POUR OBTENIR UN SERVICE DE GARANTIE.

Préparez les informations suivantes

- Nom, adresse et numéro de téléphone
- Numéro de modèle et de série
- Une description claire et détaillée du problème
- Preuve d'achat, y compris le nom et l'adresse du concessionnaire ou du revendeur

SI VOUS AVEZ BESOIN D'UNE RÉPARATION :

1. Avant de nous contacter pour une réparation, il faut être sûr que votre produit nécessite une. Certaines questions peuvent être traitées sans réparation. Prenez quelques minutes pour consulter la section Dépannage du Guide d'utilisation, ou rendez-vous sur <https://www.midea.com/us/support>

2. Tous les services de garantie sont fournis exclusivement par nos fournisseurs de services Midea agréés, aux États-Unis et au Canada.

Service clientèle Midea

Aux États-Unis ou au Canada, appelez le 1-866-646-4332.

Si vous vous trouvez en dehors des 50 États des États-Unis ou du Canada, contactez votre revendeur Midea agréé pour déterminer si une autre garantie s'applique.

1 AN PIÈCES ET MAIN D'ŒUVRE

CE QUI EST COUVERT

GARANTIE LIMITÉE DE PREMIÈRE ANNÉE (PIÈCES ET MAIN D'ŒUVRE)

Midea répare ou remplace, sans frais, tout défaut dû à un défaut de matériaux ou de fabrication pendant une année entière à compter de la date d'achat. Pour plus d'informations sur la couverture de la garantie et les réparations sous garantie, rendez-vous sur le site www.midea.com ou appelez le **1-866-646-4332**.

Le consommateur sera responsable de :

- Frais de diagnostic, d'enlèvement, de transport et de réinstallation requis en raison du service.
- Coûts des appels de service résultant des éléments répertoriés sous **RESPONSABILITÉS NORMALES DU CONSOMMATEUR ****

RESPONSABILITÉS NORMALES DU CONSOMMATEUR **

Cette garantie s'applique uniquement aux produits à usage domestique ordinaire, et le consommateur est responsable des articles listés ci-dessous :

1. Utilisation correcte de l'appareil conformément aux instructions fournies avec le produit.
2. Entretien et nettoyage courants, nécessaires au maintien du bon état de fonctionnement.
3. Une installation correcte par un professionnel de service agréé conformément aux instructions fournies avec l'appareil et à toutes les règles locaux de plomberie, d'électricité et/ou de gaz.
4. Connexion correcte à une alimentation électrique mise à la terre d'une tension suffisante ; remplacement des fusibles grillés, réparation de raccords desserrés ou de défauts dans le câblage de la maison.
5. Les frais de mise à disposition de l'appareil pour l'entretien.
6. Dommages de finition après l'installation.

LE SEUL ET EXCLUSIF RECOURS DU CLIENT DANS LE CADRE DE LA PRÉSENTE GARANTIE LIMITÉE CONSISTE EN LA RÉPARATION OU LE REMPLACEMENT DU PRODUIT COMME PRÉVU ICI. Le service doit être fourni par une compagnie de service désignée par Midea. Cette garantie limitée n'est valable que dans les 50 États des États-Unis ou au Canada et s'applique uniquement lorsque l'appareil électroménager est utilisé dans le pays dans lequel il a été acheté. Cette garantie limitée rentre en vigueur à partir de la date de l'achat initial par le consommateur. Une preuve de la date d'achat originale est requise pour obtenir un service sous cette garantie limitée.

CE QUI N'EST COUVERT

1. Toute panne causée par des dommages causée à l'appareil en votre possession (autre que les dommages causés par un défaut ou un dysfonctionnement), par son installation incorrecte, une utilisation déraisonnable, y compris, sans s'y limiter, manque d'entretien raisonnable et nécessaire ou non suivi des Manuel d'installation et du guide d'utilisation sur papier.
2. Les produits achetés « tels quels » ne sont pas couverts par cette garantie.
3. Les appels de service pour réparer ou remplacer les consommables tels que ampoules, filtre à air etc., ou poignées, touches et autres pièces cosmétiques.
4. Tout produit qui a été transféré de son propriétaire d'origine.
5. De la rouille intérieure ou extérieure sur l'unité.
6. Les dommages causés par des services fournis par des personnes autres que les réparateurs agréés Midea ; l'utilisation de pièces de rechange non Midea obtenues auprès de personnes autres que le service clientèle de Midea ou des causes externes telles qu'abus, mauvaise utilisation, alimentation électrique inadéquate ou catastrophes naturelles.
7. Des appels de service résultant d'une mauvaise installation du produit.
8. Des appels de service pour vous informer sur l'utilisation du produit.
9. Suppléments, y compris, mais sans s'y limiter, les appels de service après les heures, les week-ends ou les jours fériés, les péages, les frais de voyage en ferry ou les frais de kilométrage pour les appels de service dans des régions éloignées, y compris l'État de l'Alaska.
10. Si l'unité est destinée à un usage commercial, professionnel, destinée à la location ou à une autre utilisation ou application autre que celle personnelle, nous n'offrons aucune garantie, expresse ou implicite, y compris, mais sans s'y limiter, toute garantie implicite de qualité marchande ou d'adéquation à un usage ou à des fins particuliers.
11. Le produit qui a été déplacé en dehors des États-Unis ou du Canada.
Les produits dont les numéros de série d'origine ont été supprimés, modifiés ou ne peuvent pas être facilement déterminés.

REMARQUE : Certains états n'autorisent pas l'exclusion ou la limitation des dommages directs ou indirects. Ainsi, cette limitation ou exclusion peut donc ne pas s'appliquer à vous.

Les frais de réparation ou de remplacement dans ces circonstances sont à la charge du client.

EXCLUSIONS DE GARANTIE IMPLICITES

LES GARANTIES IMPLICITES, Y COMPRIS TOUTE GARANTIE IMPLICITE DE QUALITÉ MARCHANDE OU GARANTIE IMPLICITE D'ADAPTATION À UN USAGE PARTICULIER, SONT LIMITÉES À UN AN OU À LA PÉRIODE LA PLUS COURTE AUTORISÉE PAR LA LOI. Certains états et provinces n'autorisent pas les limitations de durée des garanties implicites de qualité marchande ou d'adéquation, de sorte que cette limitation peut ne pas s'appliquer à vous. Cette garantie vous confère des droits légaux spécifiques, et vous permet d'avoir d'autres droits qui varient d'un état à l'autre.

AVIS DE NON-RESPONSABILITÉ DES REPRÉSENTATIONS EN DEHORS DE LA GARANTIE

Midea ne fait aucune déclaration concernant la qualité, la durabilité ou le besoin de service ou de réparation de cet appareil électroménager autre que les déclarations contenues dans cette garantie. Si vous souhaitez une garantie plus longue ou plus complète que la garantie limitée fournie avec cet appareil électroménager, vous devez demander à Midea ou à votre revendeur d'acheter une garantie étendue.

LIMITATION DES RECOURS ; EXCLUSION DES DOMMAGES DIRECTS ET INDIRECTS

LE SEUL ET EXCLUSIF RECOURS DU CLIENT DANS LE CADRE DE LA PRÉSENTE GARANTIE LIMITÉE CONSISTE EN LA RÉPARATION PRÉVUE CI-DESSUS. MIDEA NE SERA PAS TENUE RESPONSABLE DES DOMMAGES DIRECTS ET INDIRECTS. Certains états et provinces n'autorisent pas l'exclusion ou la limitation des dommages directs ou indirects, de sorte que ces limitations et exclusions peuvent ne pas s'appliquer à vous. Cette garantie vous confère des droits légaux spécifiques, et vous permet d'avoir d'autres droits qui varient d'un état à l'autre.